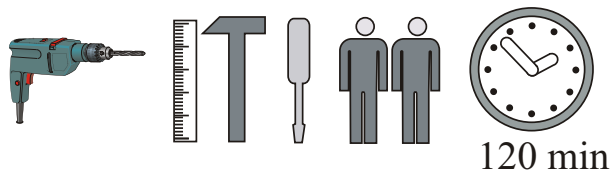
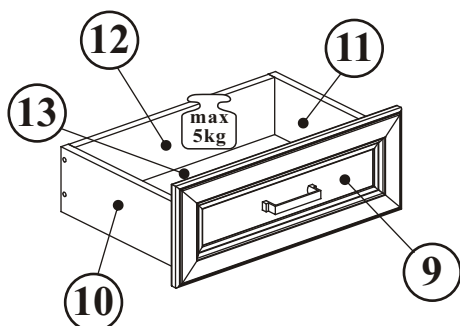
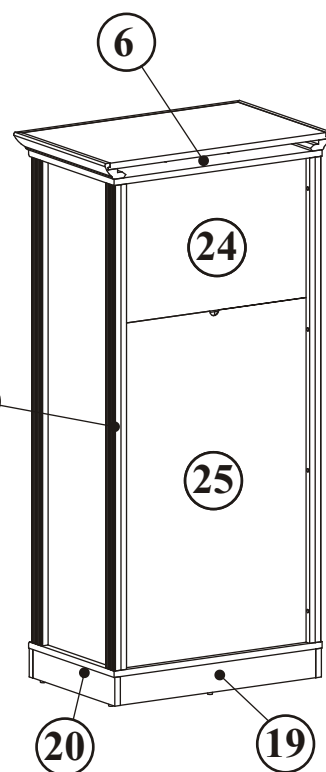
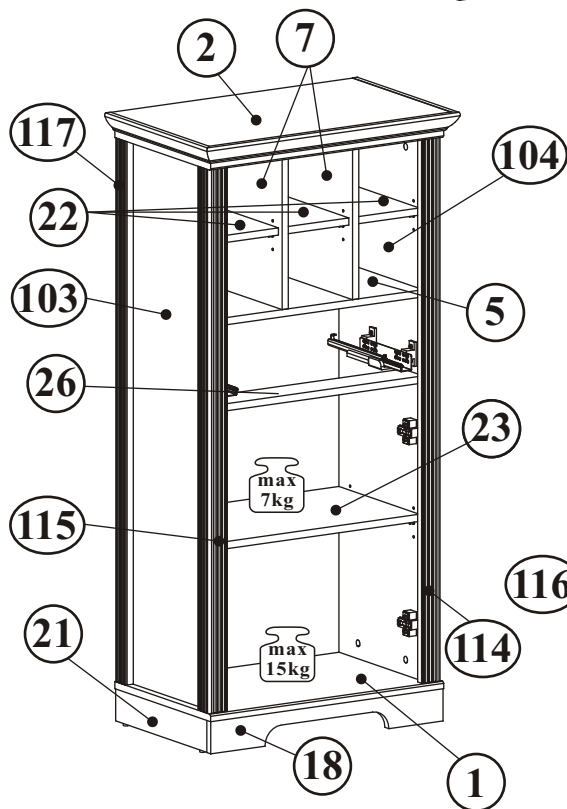
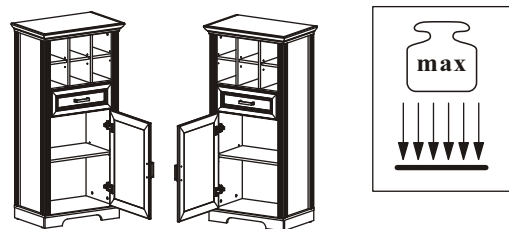
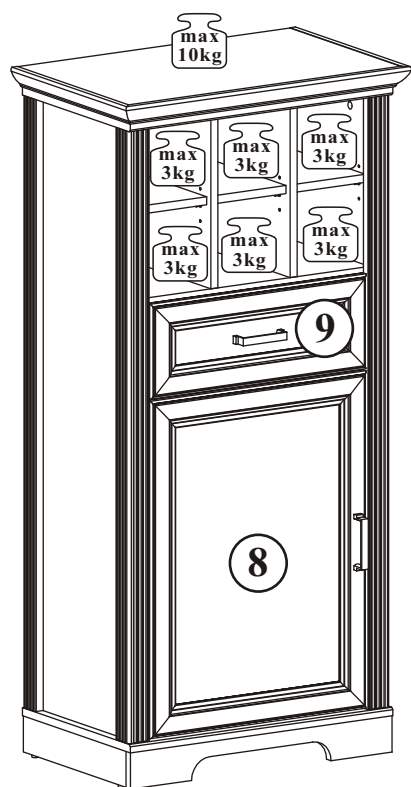


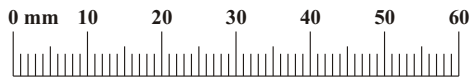
# JASMIN 10G9\_04



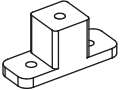


NO	Dim.			Col.-No	Qty
1	602	386	16	1	1
2	655	412	42	1	1
103	1213	359	16	2	1
104	1213	359	16	2	1
5	530	339	16	1	1
6	602	386	16	1	1
7	340	339	16	1	2
8	668	496	22	1	1
9	496	188	22	1	1
10	300	120	16	2	1
11	300	120	16	2	1
12	440	106	16	2	1
13	304	452	3	2	1

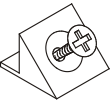
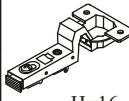
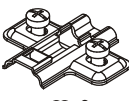

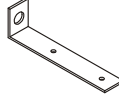

NO	Dim.			Col.-No	Qty
114	1213	49	49	2	1
115	1213	49	49	2	1
116	1213	43	19	2	1
117	1213	43	19	2	1
18	600	72	16	2	1
19	566	72	16	2	1
20	369	72	16	2	1
21	369	72	16	2	1
22	166	334	16	2	3
23	530	324	16	2	1
24	354	542	3	1	1
25	871	542	3	1	1
26	530	80	16	2	1

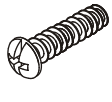

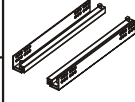
JASMIN 10G9\_04




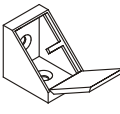
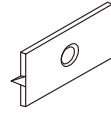


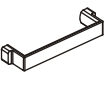



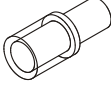

D24 x16	 USØ4x30	G12 x22	 Ø14	H1 x4	
------------	---	------------	--	----------	---

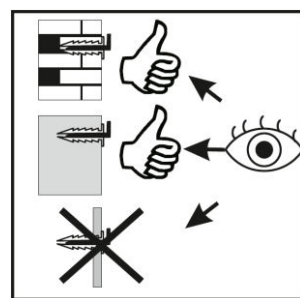
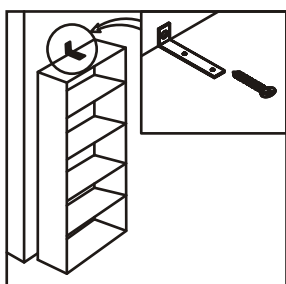
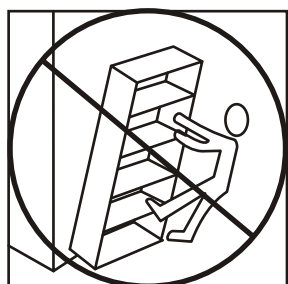
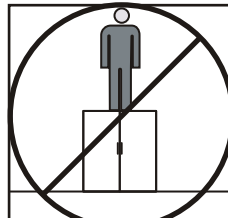
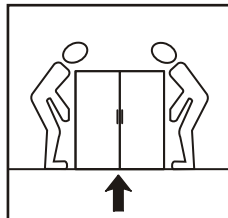
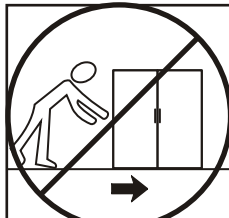
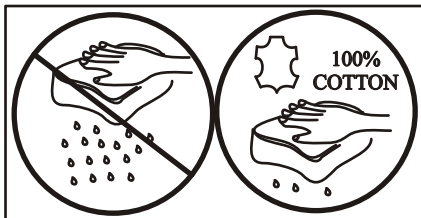
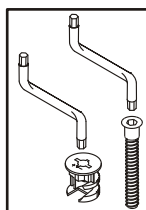
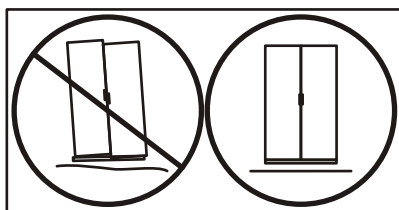
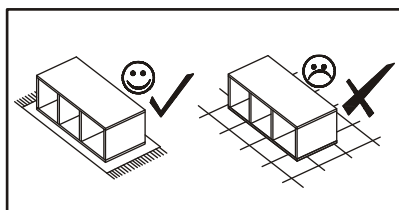
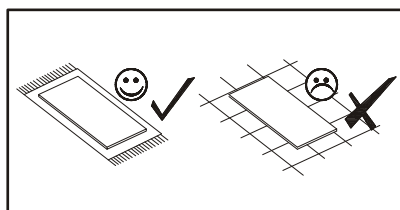
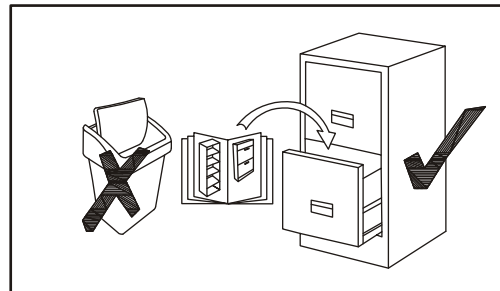
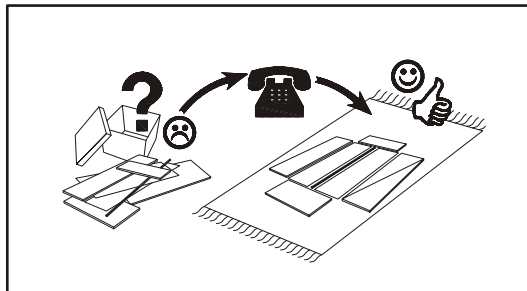
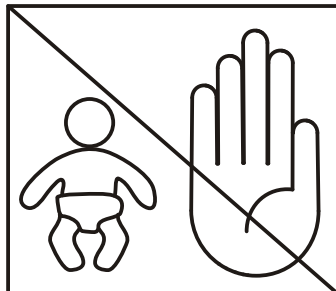
A1 x38	 ø8x36	B4 x26		B5 x26	 ø15x12	G5 x26		G7 x10		HA x6	
-----------	--	-----------	---	-----------	---	-----------	---	-----------	---	----------	---

S1 x14		E17 x2	 H=16	E13 x2	 H=2	Z2 x5	 ø5	L1 x1		KR1 x1	
-----------	---	-----------	---	-----------	--	----------	--	----------	---	-----------	---

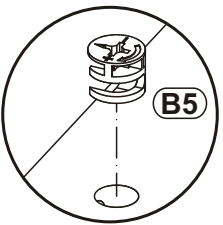
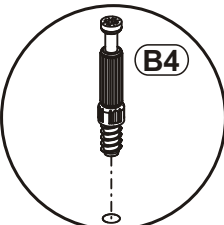
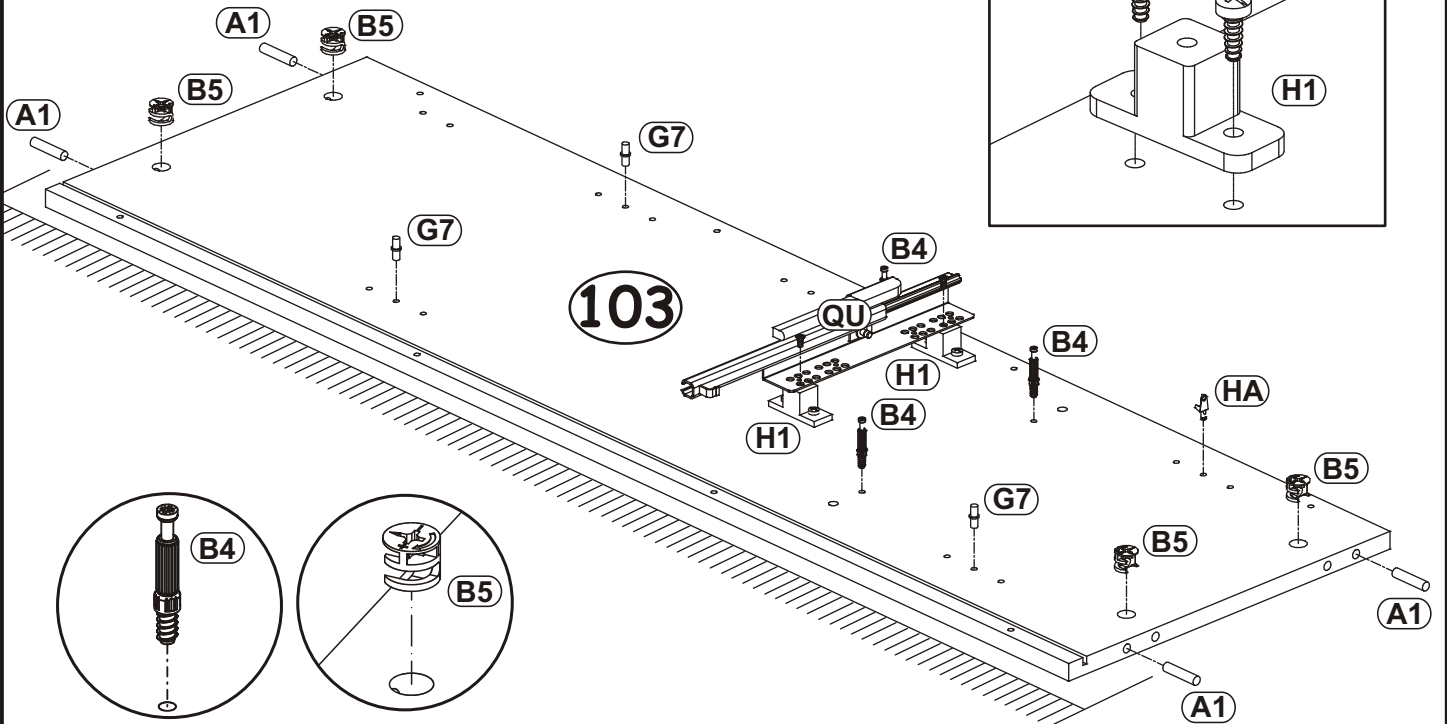
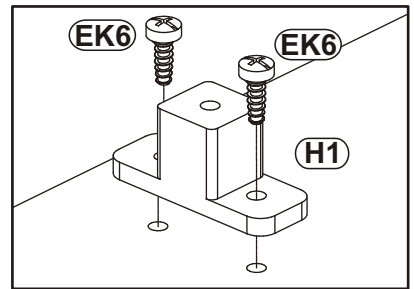
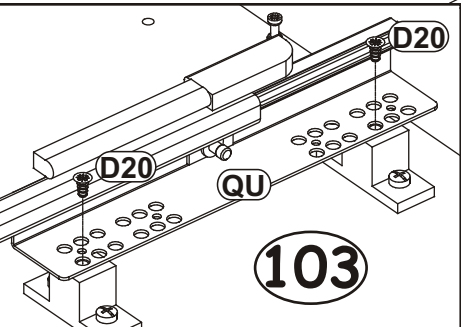
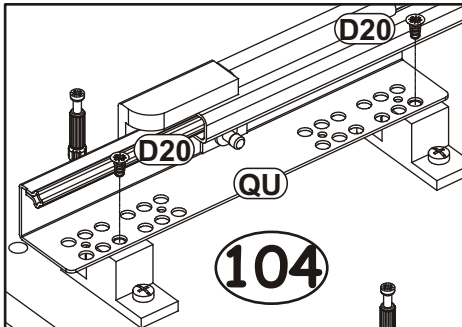
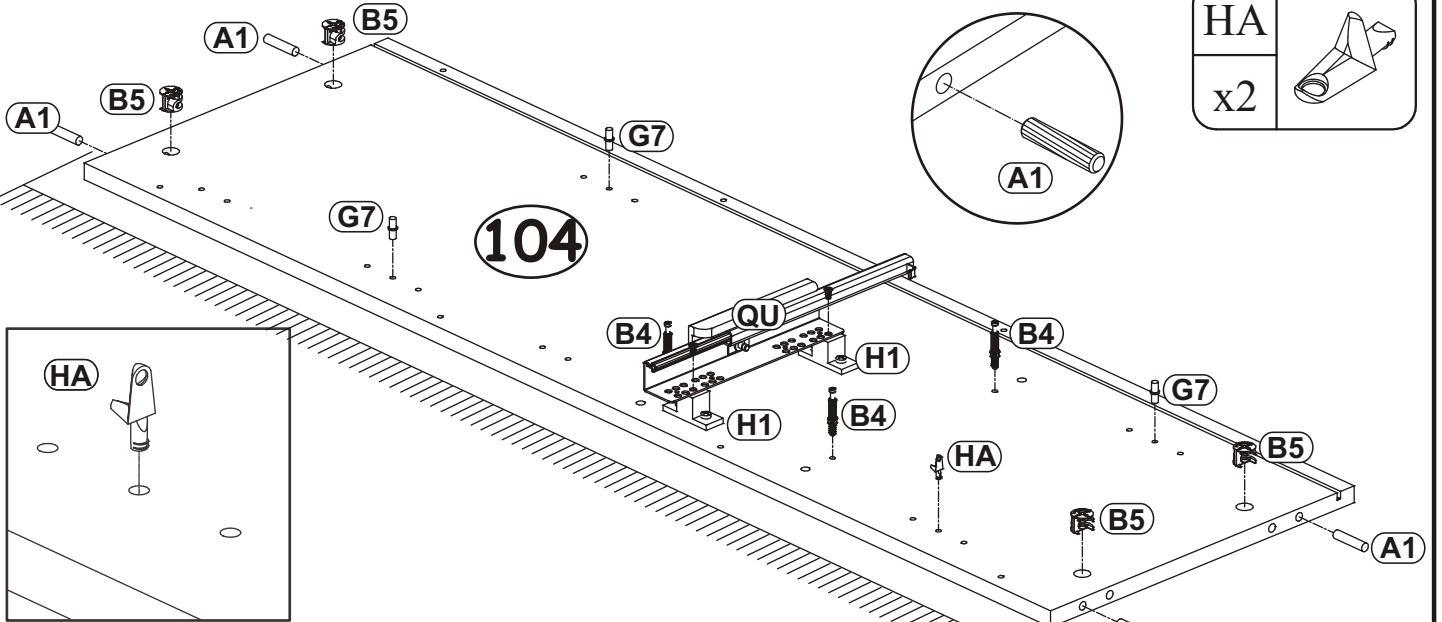
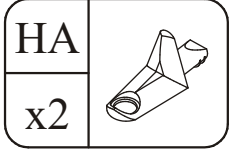
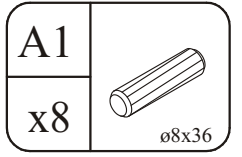
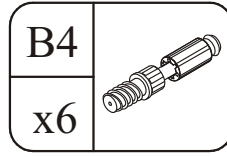
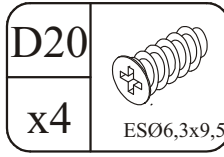
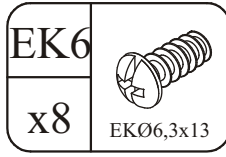
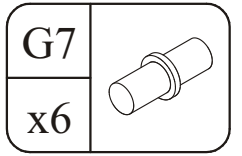
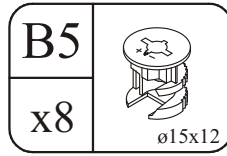
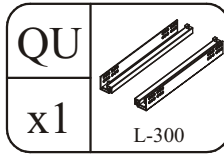
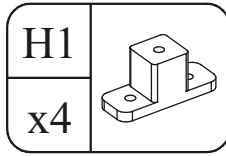
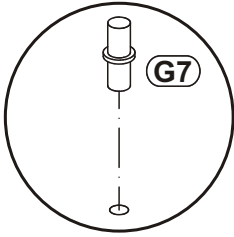
EK8 x4	 EKØ6,3x24	D10 x8	 USØ3,5x13	UP13 x11	 UPØ3x16	D20 x4	 ESØ6,3x9,5	QU x1	 L-300	I2 x5	
-----------	--	-----------	--	-------------	--	-----------	--	----------	--	----------	---

B11 x12	 Ø7x50	B14 x6	 Ø7x30	G4 x12		KM1 x1		G16 x4		E0 x2	 H=11
------------	--	-----------	--	-----------	---	-----------	--	-----------	---	----------	---

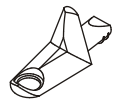
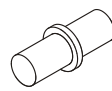
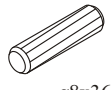
C19 x2		D16 x2	 M4x16	D4 x2	 M4x30	EK6 x8	 EKØ6,3x13	G20 x1		G2 x1	
-----------	--	-----------	---	----------	---	-----------	--	-----------	--	----------	--

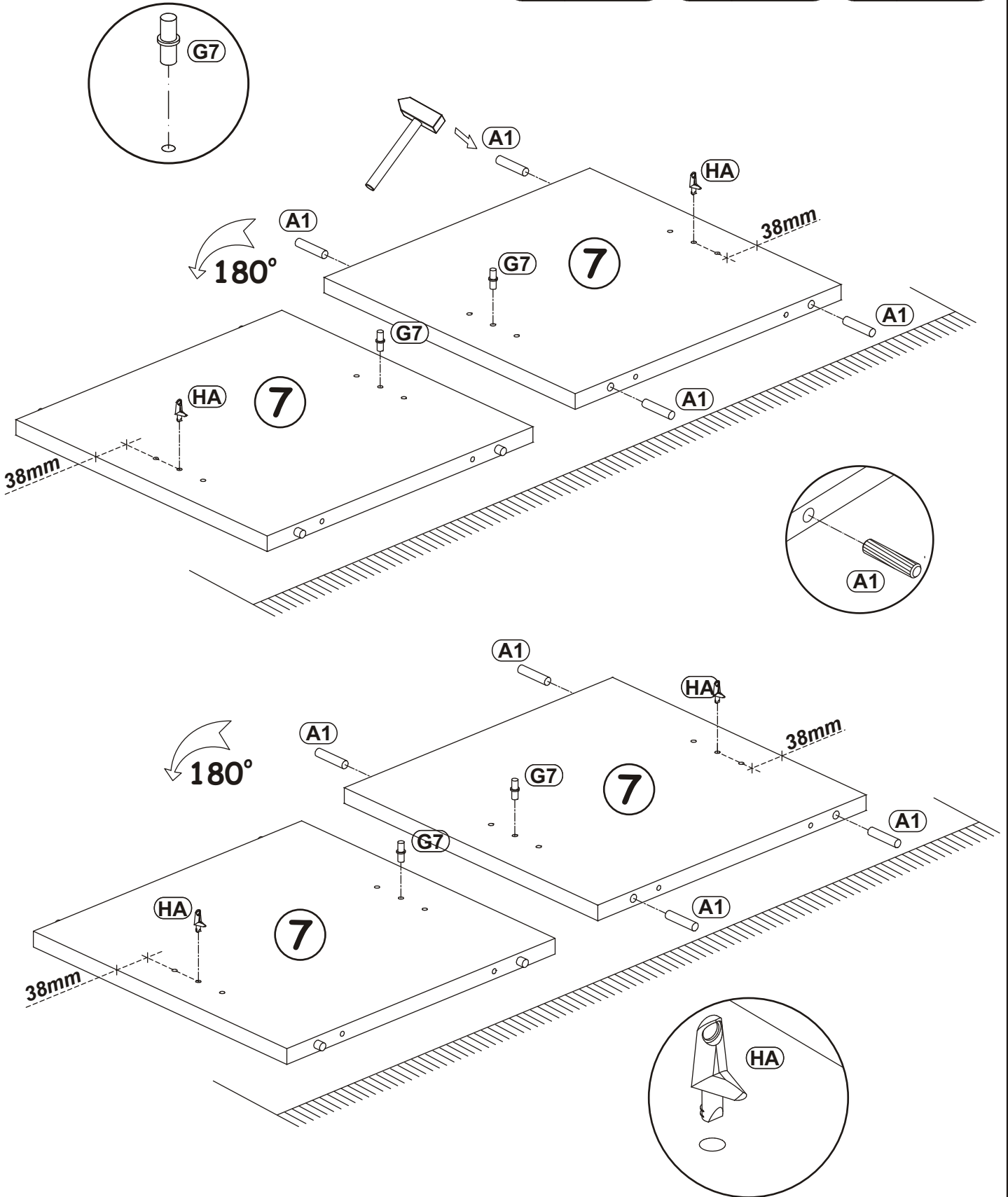


1

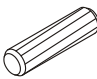
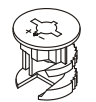
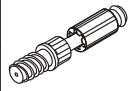


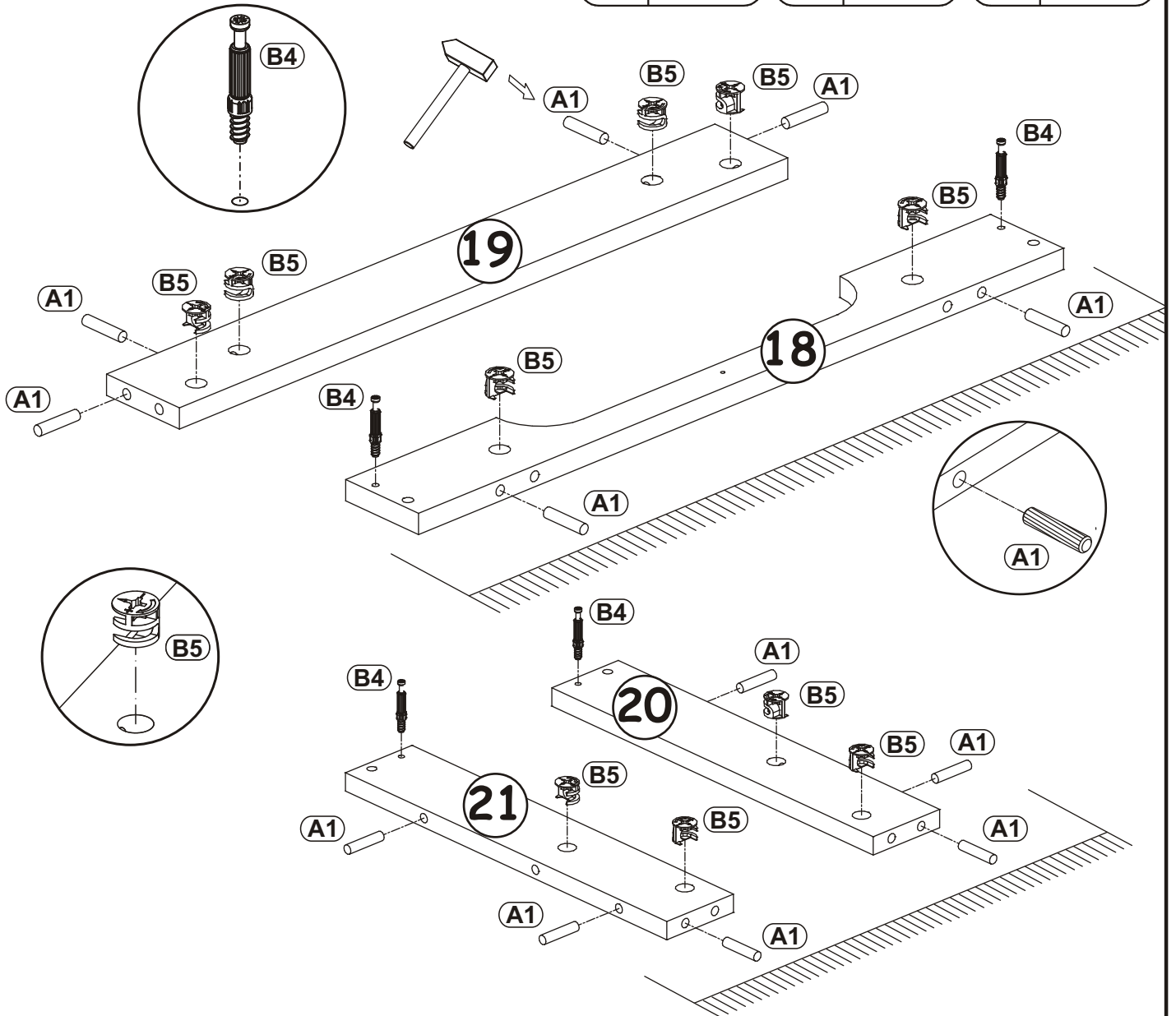
2

HA		G7		A1	
x4		x4		x8	ø8x36

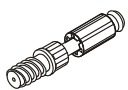


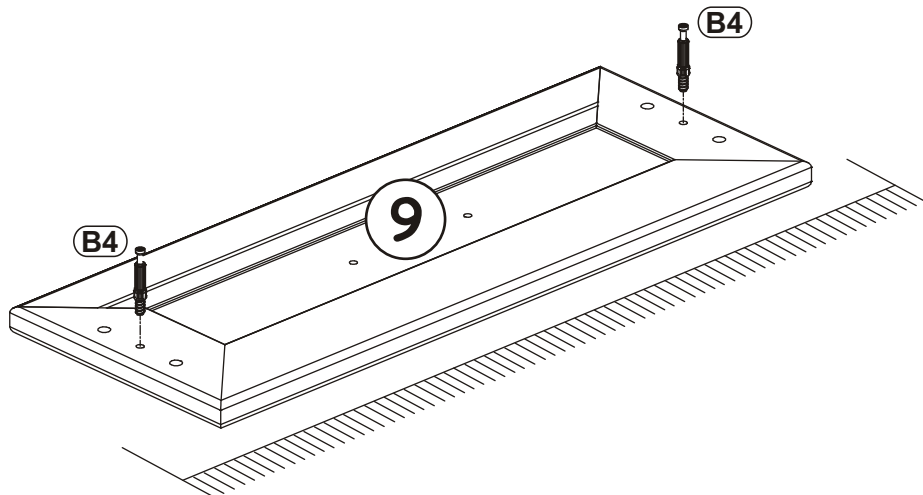
3

A1		B5		B4	
x12	ø8x36	x10	ø15x12	x4	

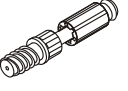


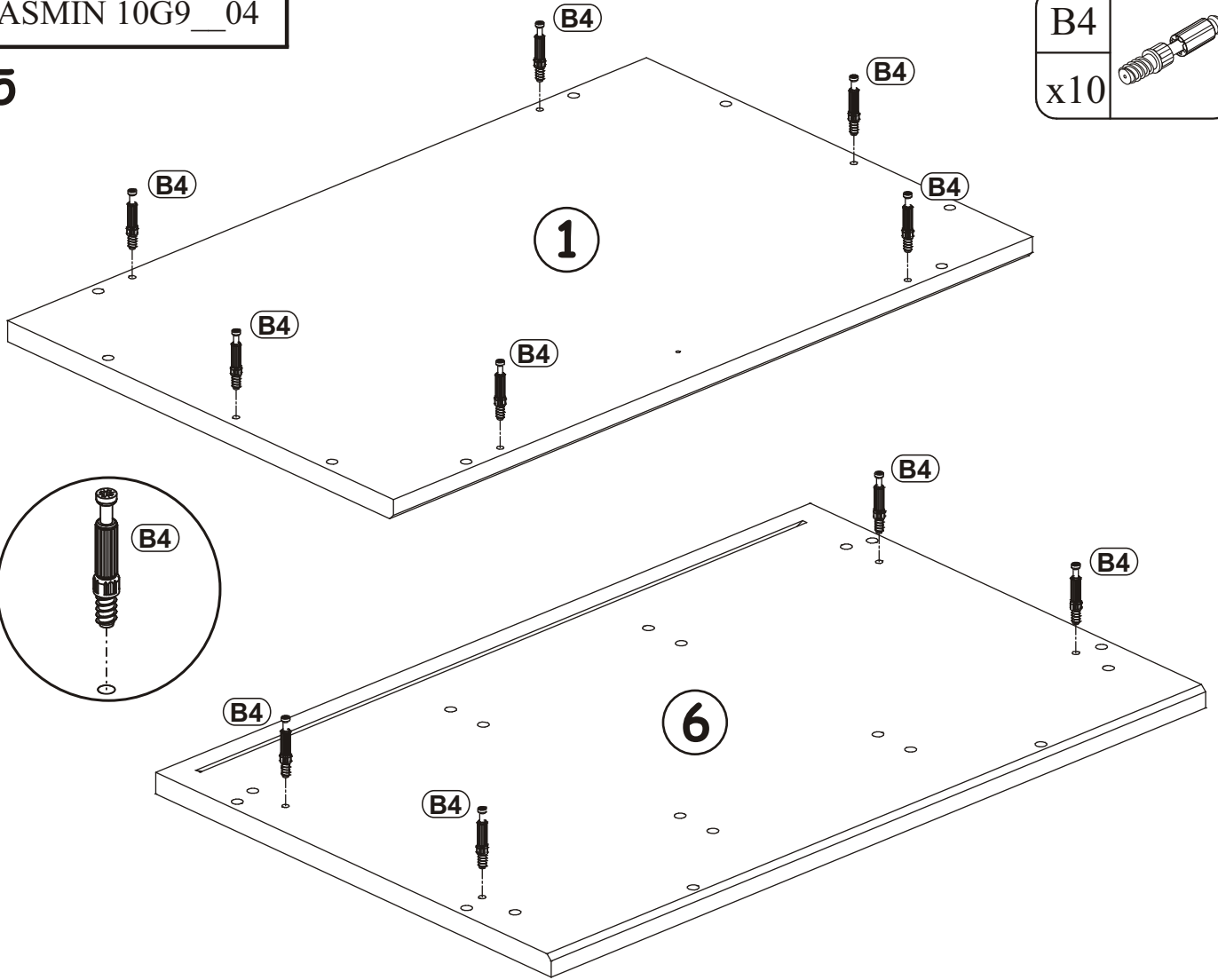
4

B4	
x2	




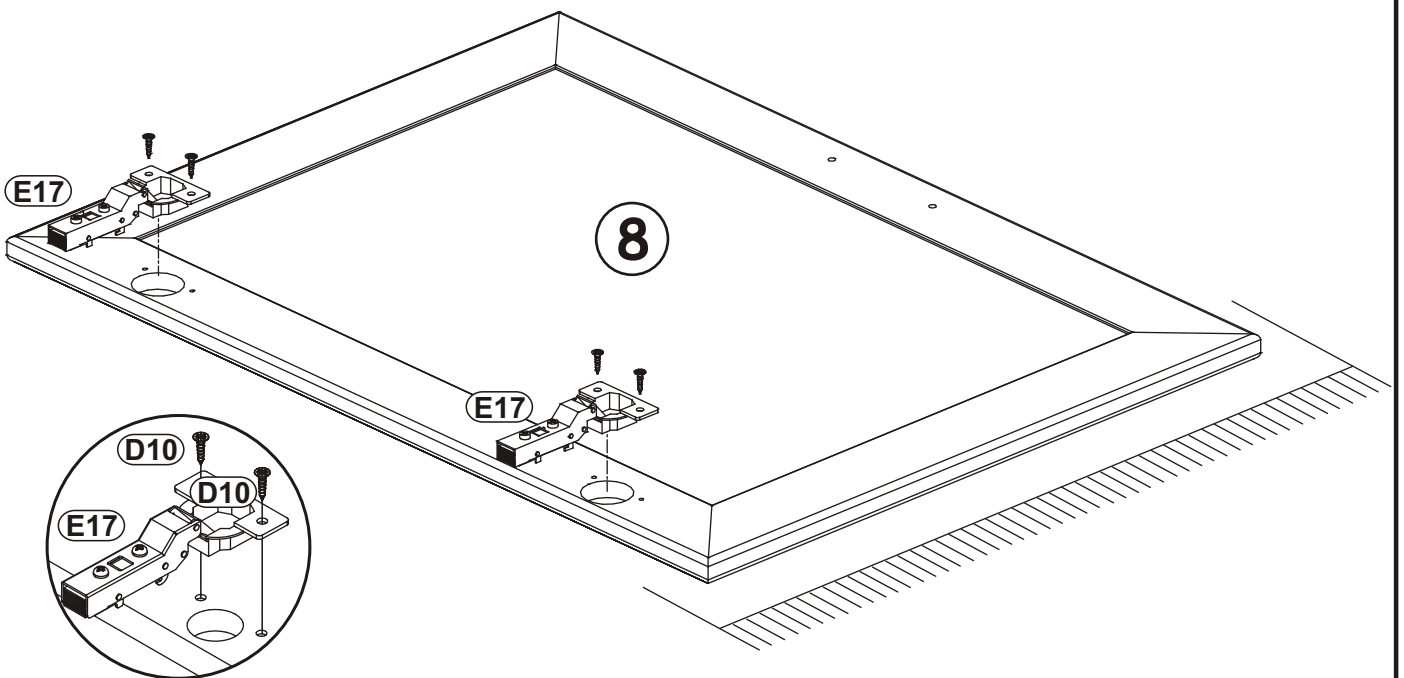
5

B4	
x10	



6

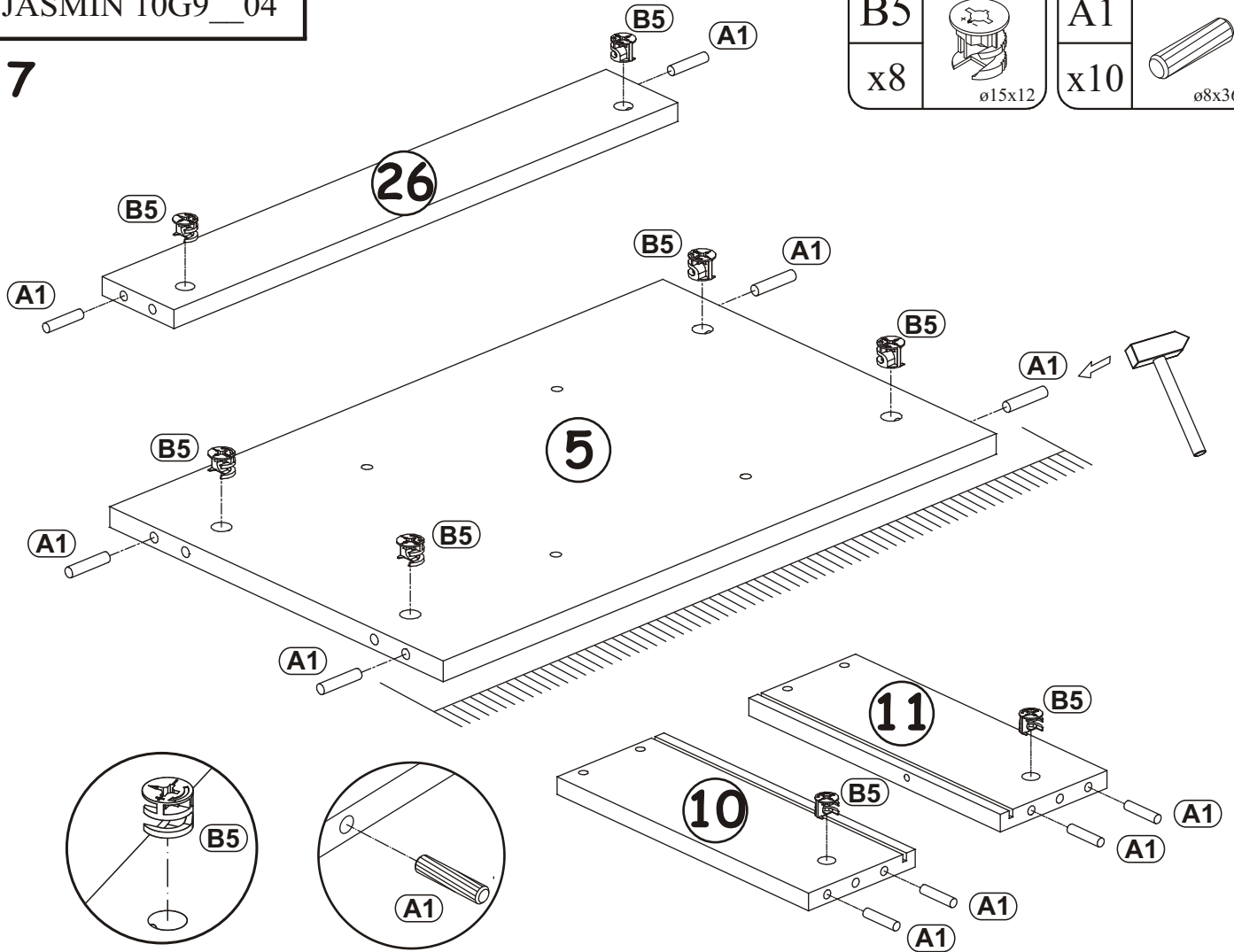
D10		E17	
x4	USØ3,5x13	x2	H=16








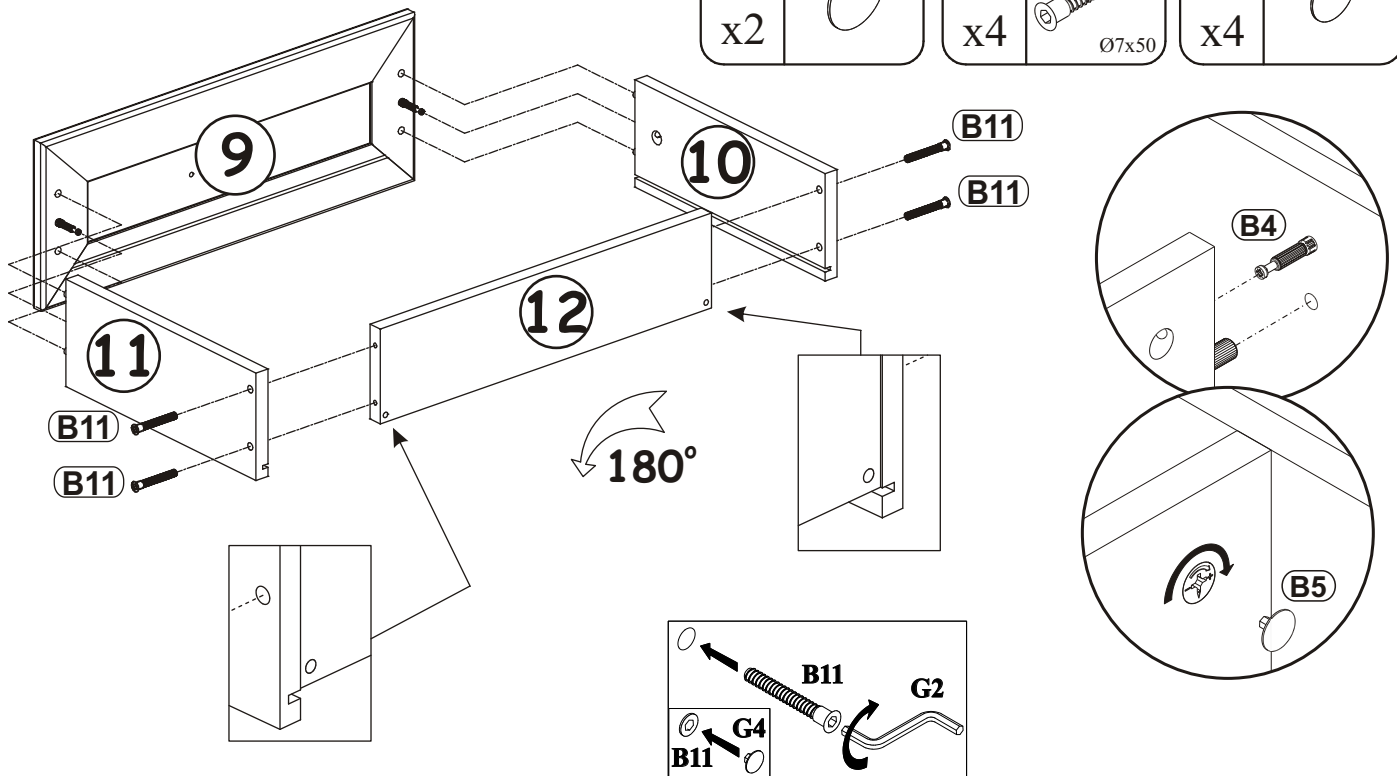
7

<b>B5</b>		<b>A1</b>	
x8	ø15x12	x10	ø8x36

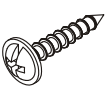
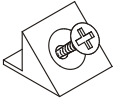


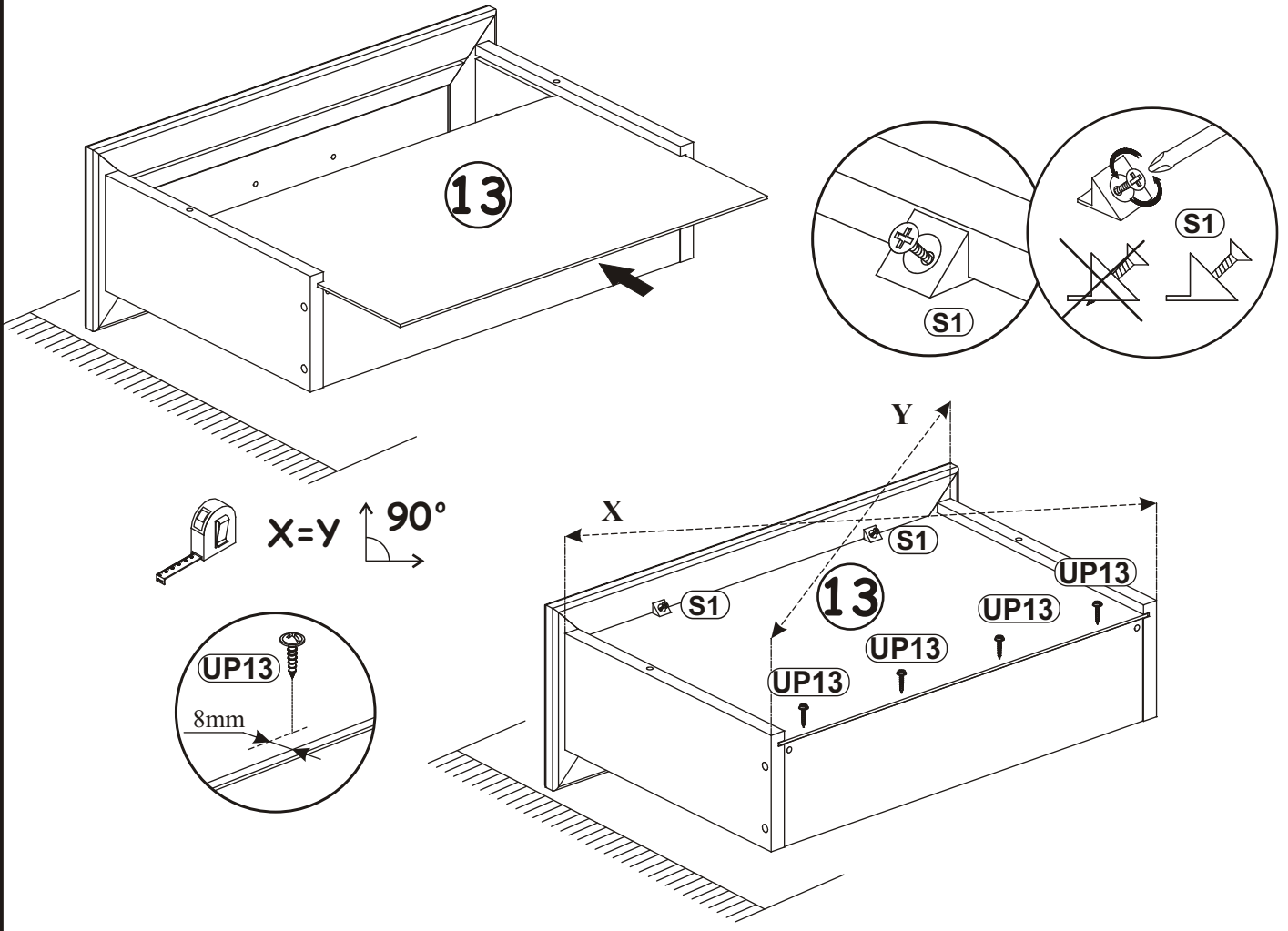
8

<b>G5</b>		<b>B11</b>		<b>G4</b>	
x2		x4	Ø7x50	x4	




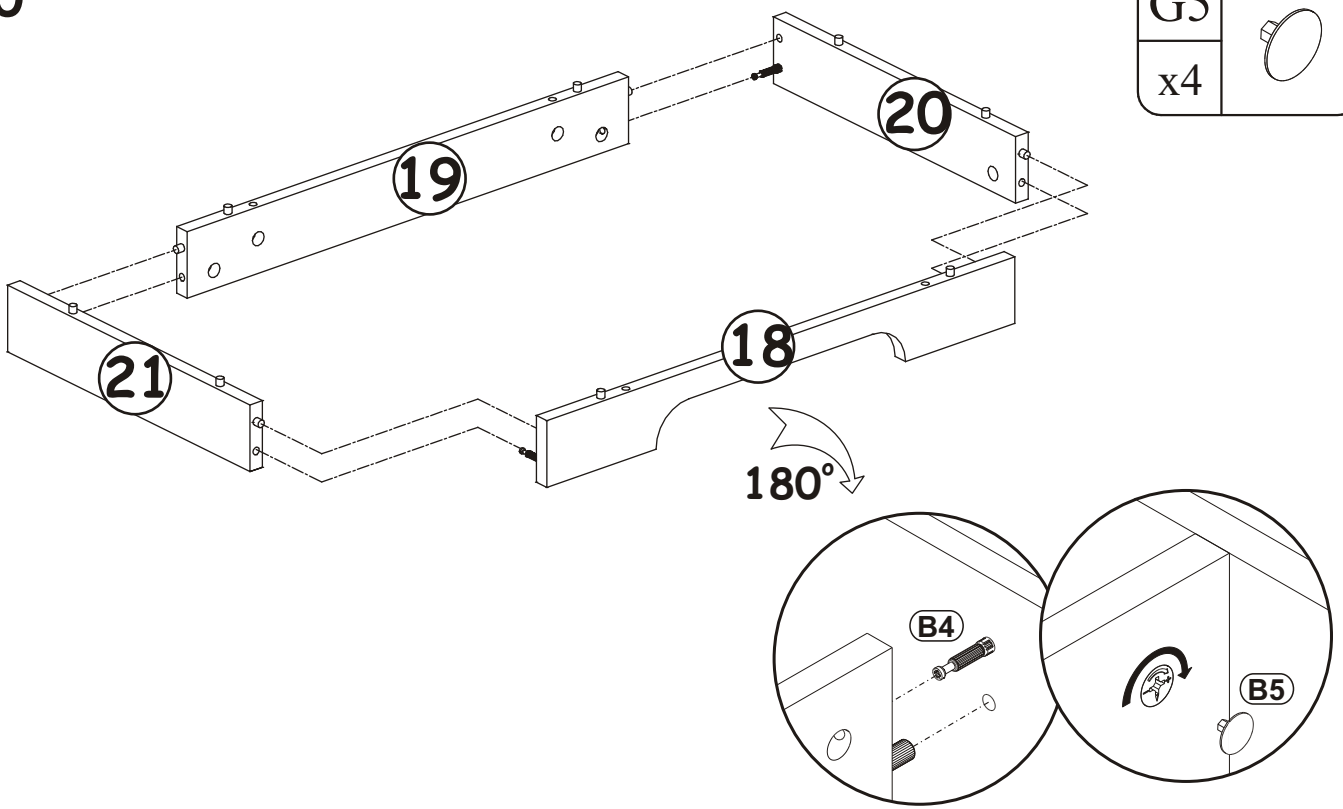
9

UP13		S1	
x4	UP03x16	x2	



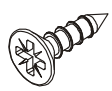
10


G5	
x4	

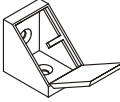





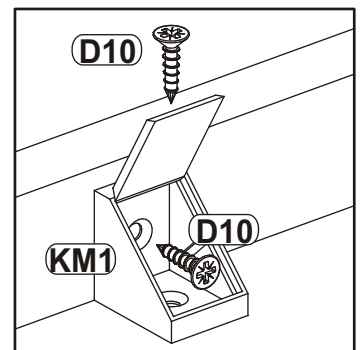
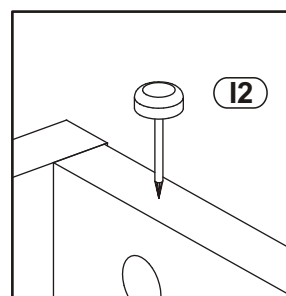
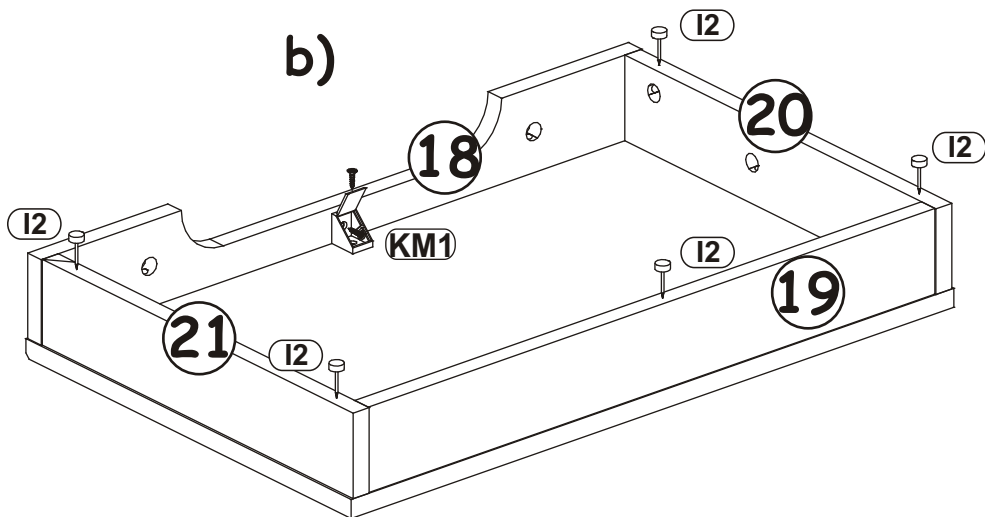
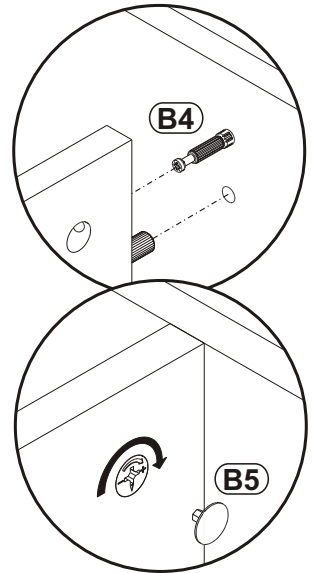
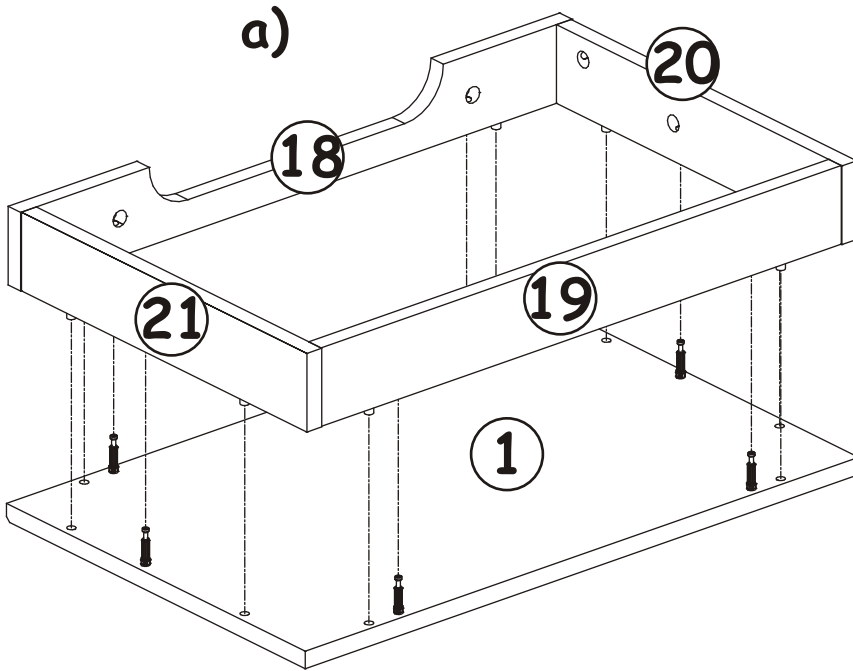
11

D10	
x2	USØ3,5x13

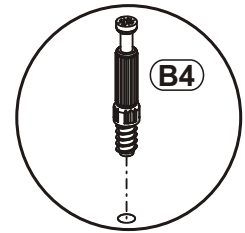
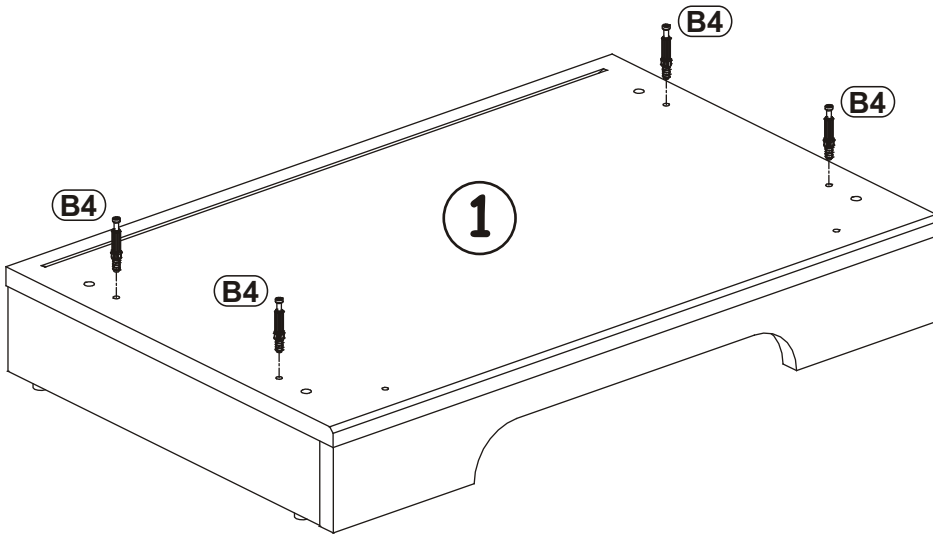
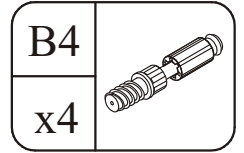
I2	
x5	

KM1	
x1	

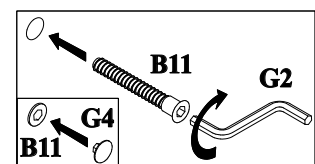
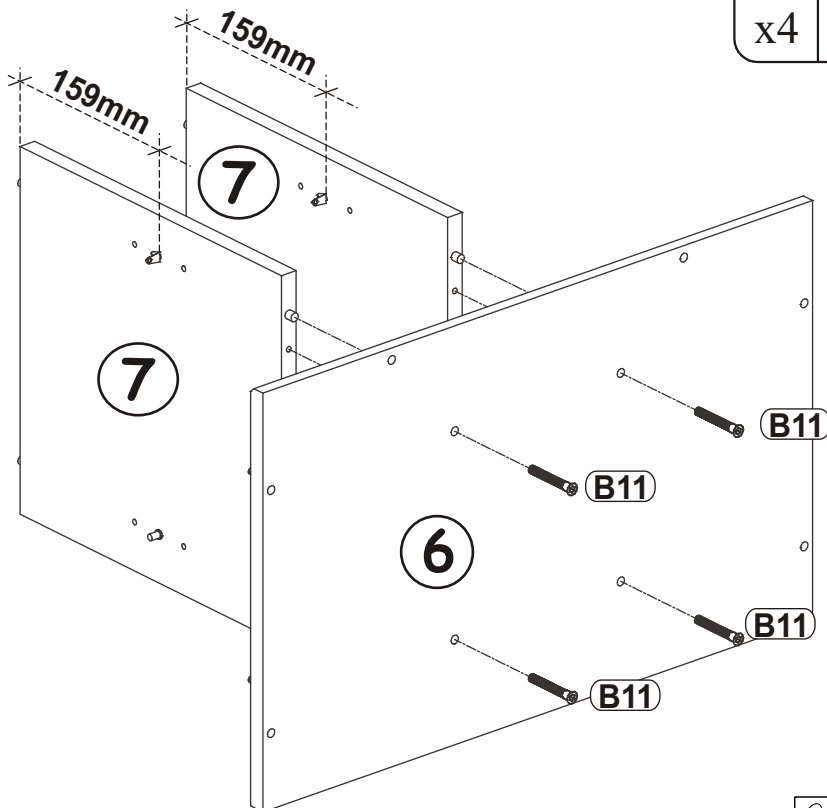
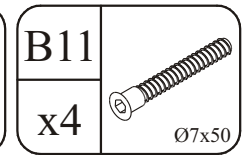
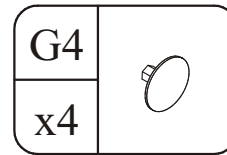
G5	
x6	





12



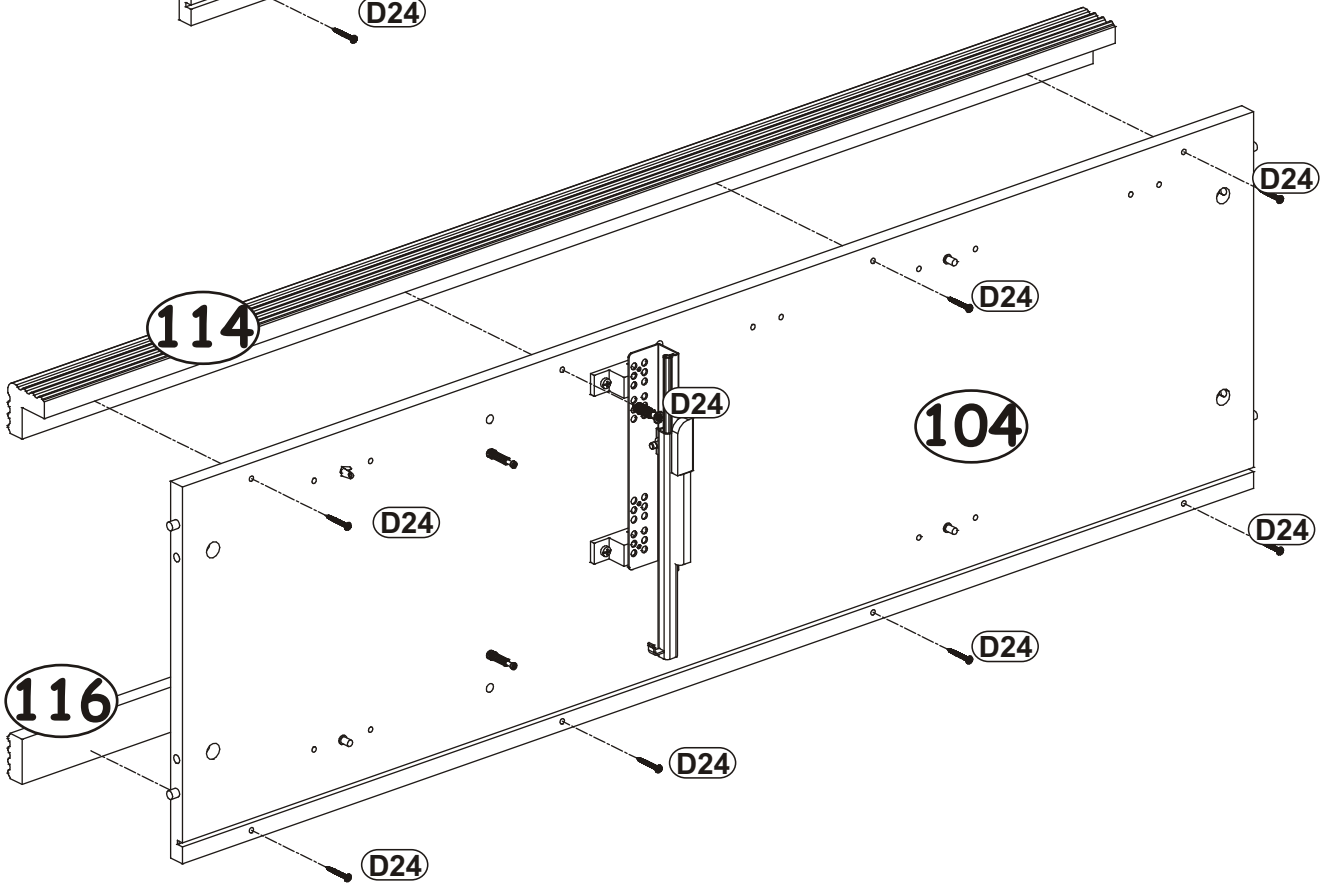
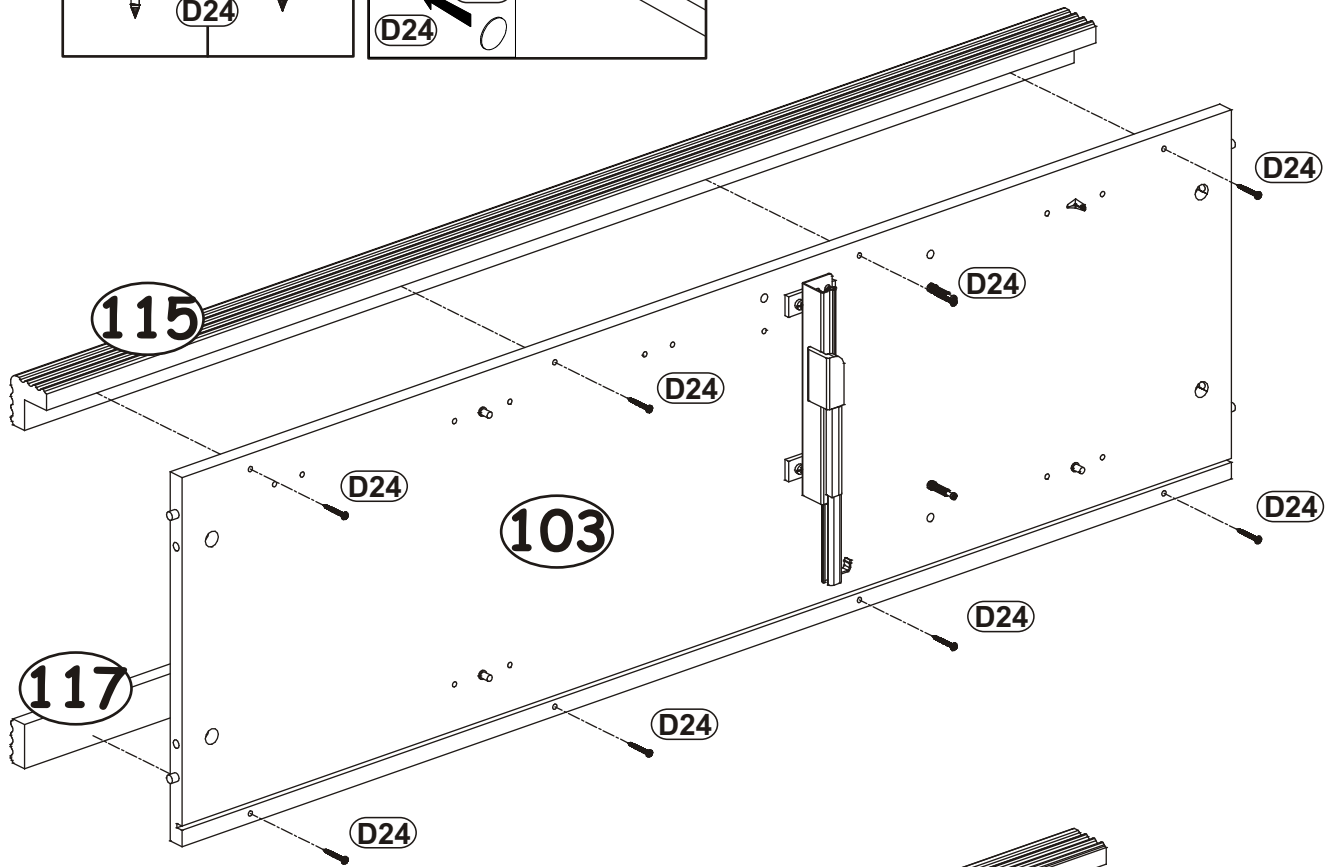
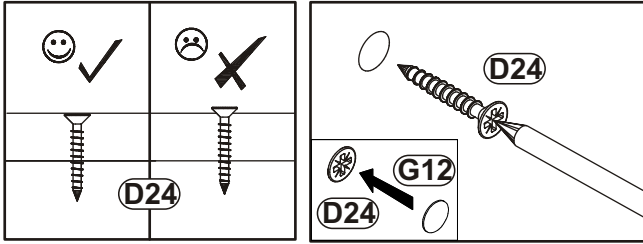
13




G12	
x16	Ø14

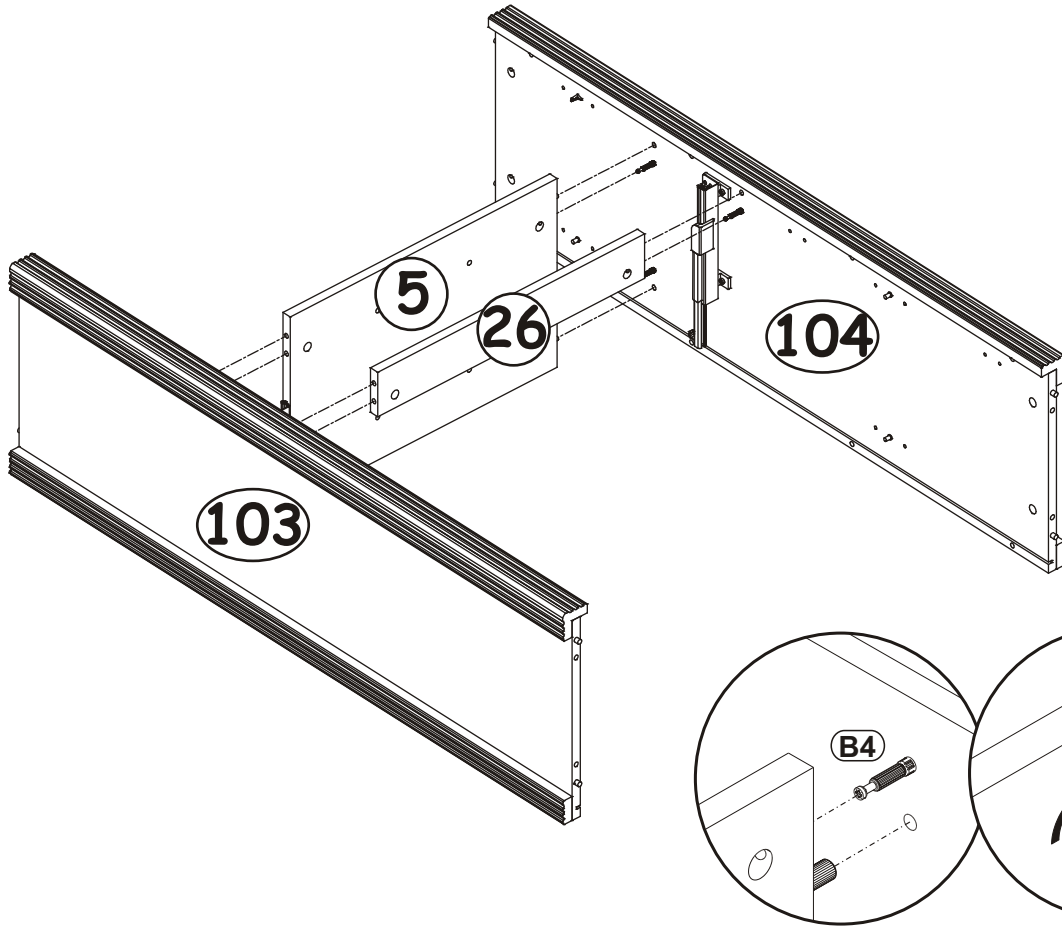
D24	
x16	USØ4x30

14

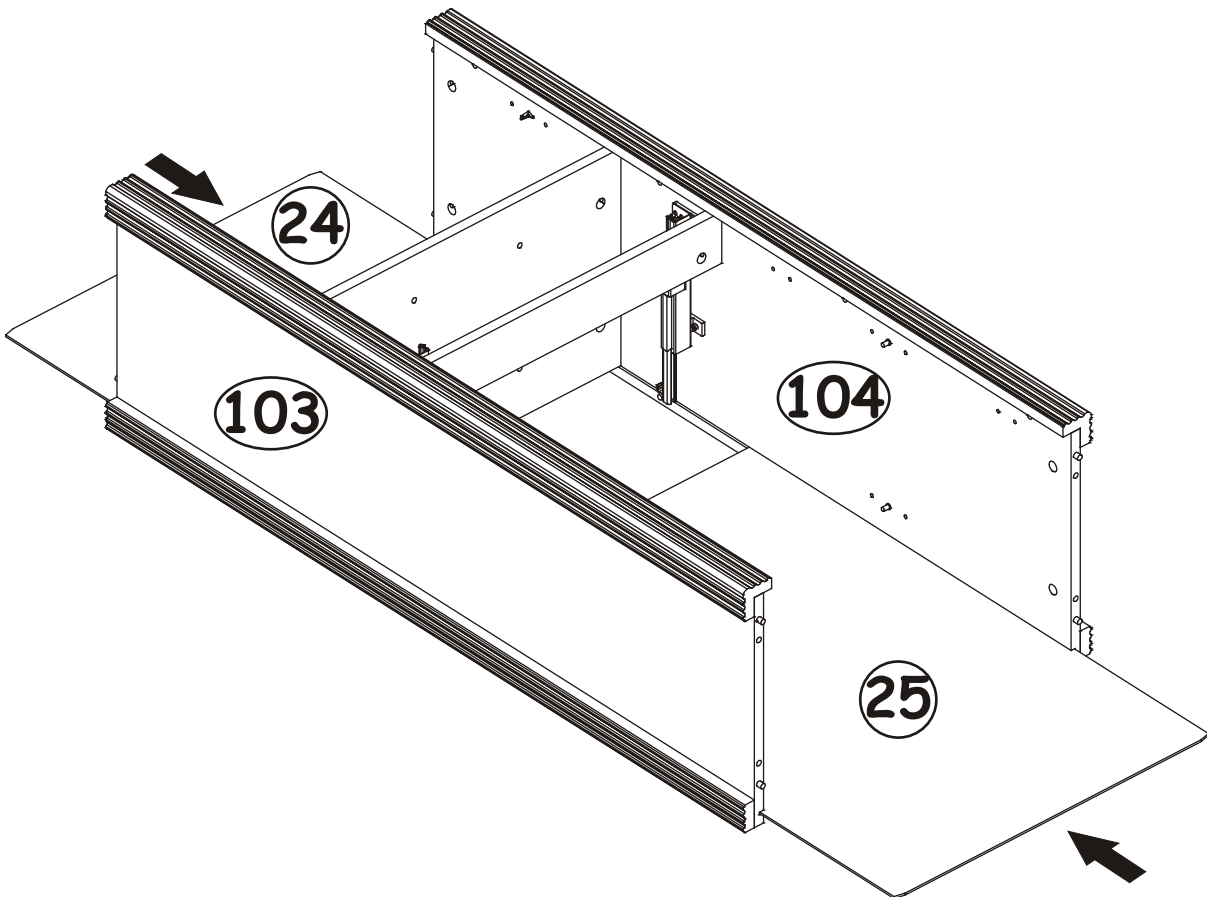


G5	
x6	

15

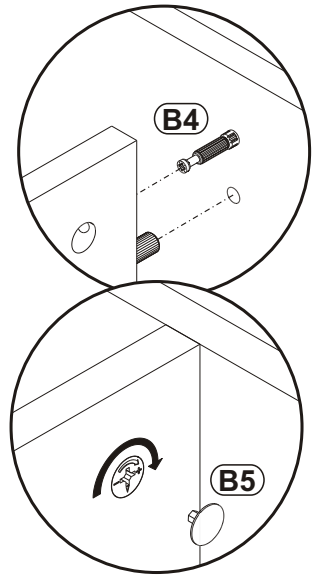
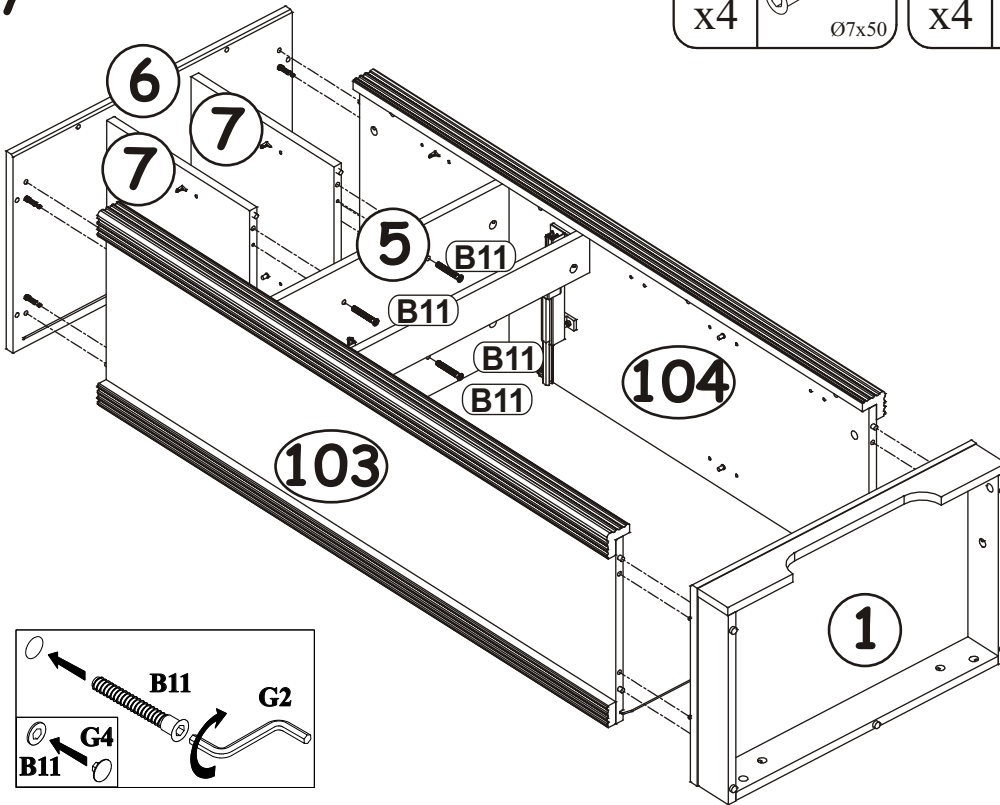


16



17

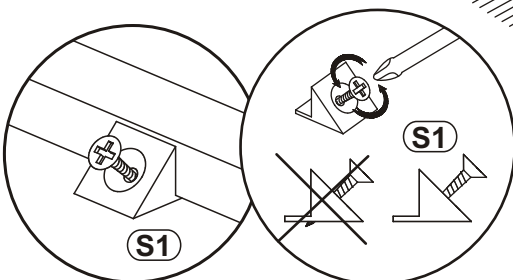
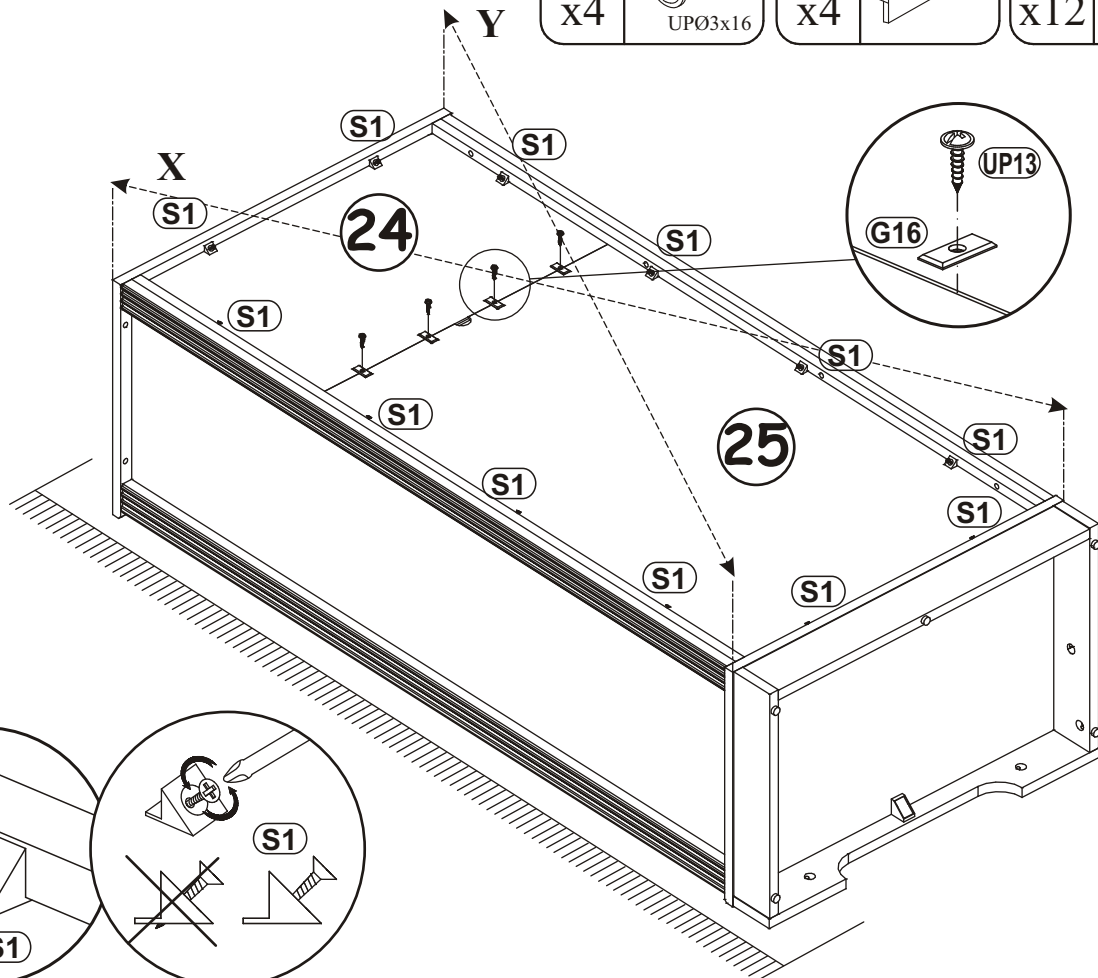
B11		G4		G5	
x4	Ø7x50	x4		x8	



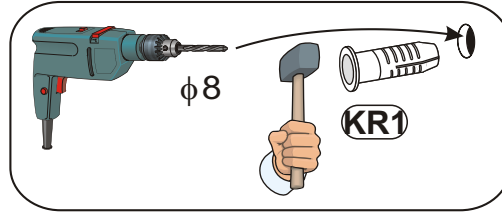
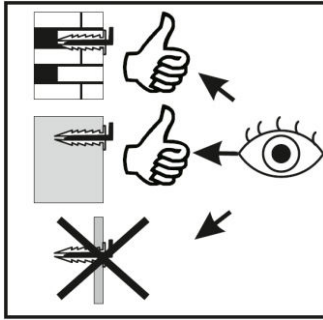
18



UP13		G16		S1	
x4	UPØ3x16	x4		x12	



19



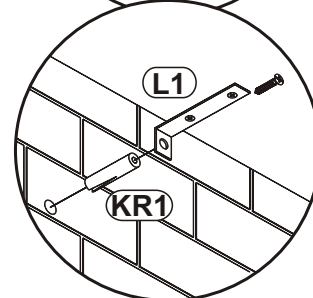
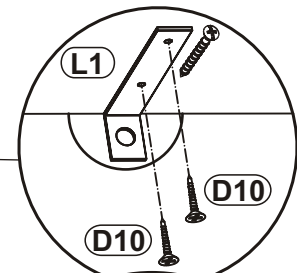
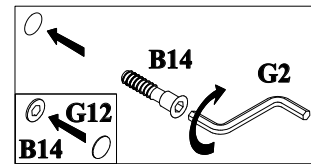
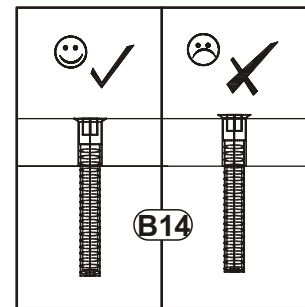
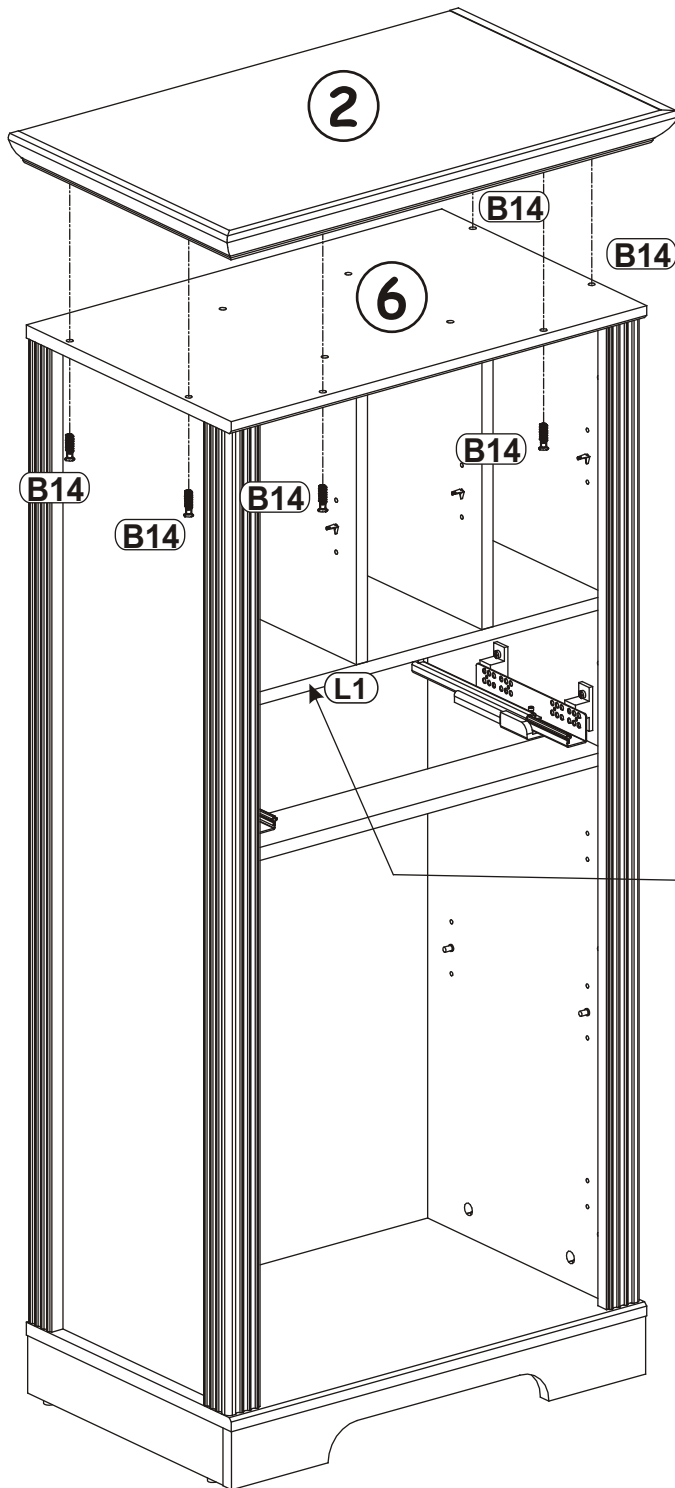
D10	
x2	US03,5x13

L1	
x1	

KR1	
x1	

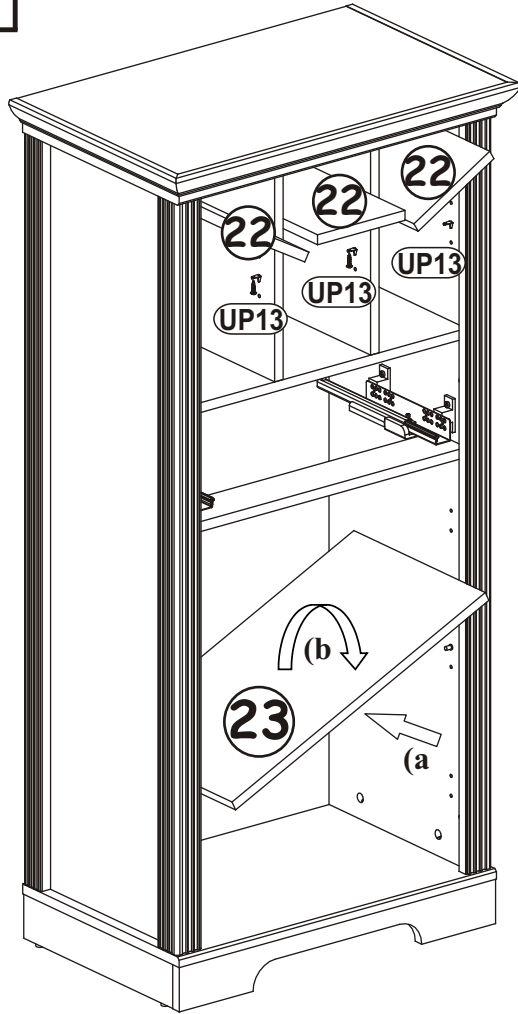
G12	
x6	Ø14


B14	
x6	Ø7x30

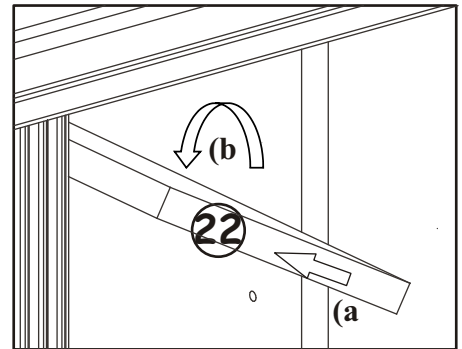
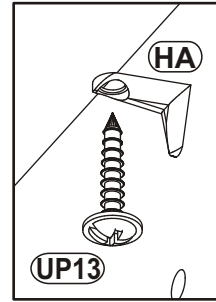




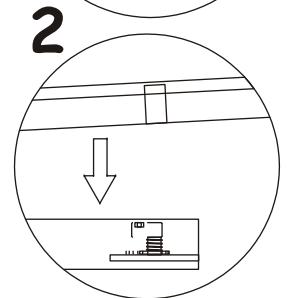
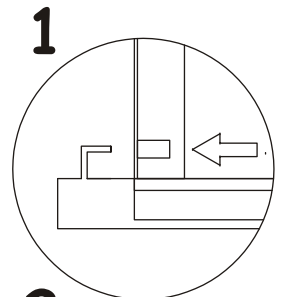
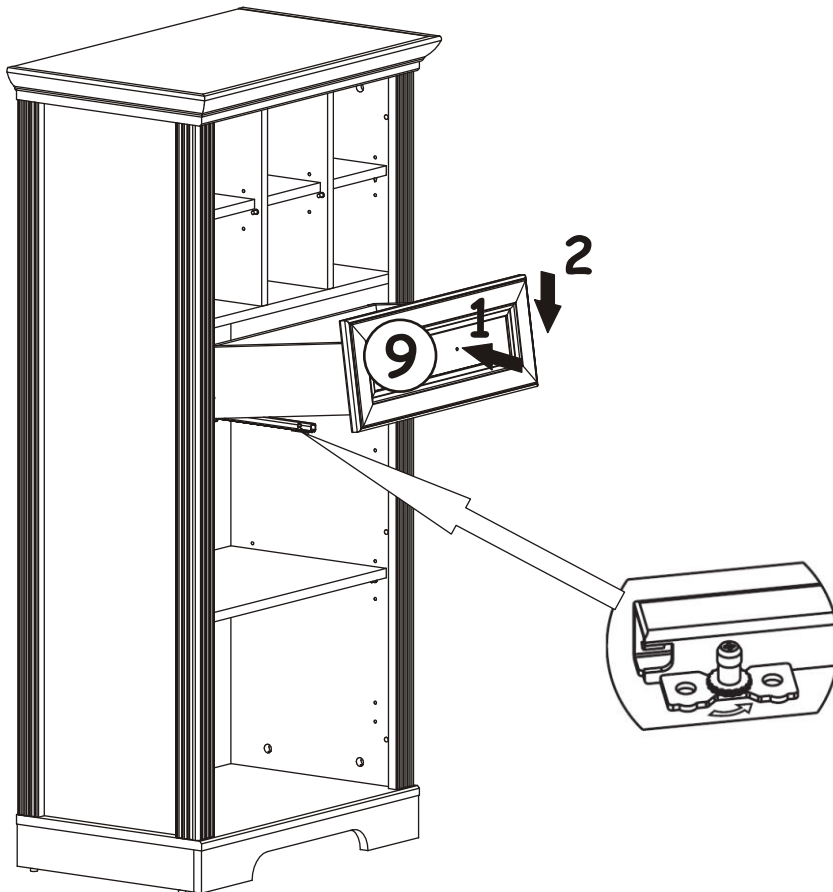
20



UP13	
x3	UPØ3x16

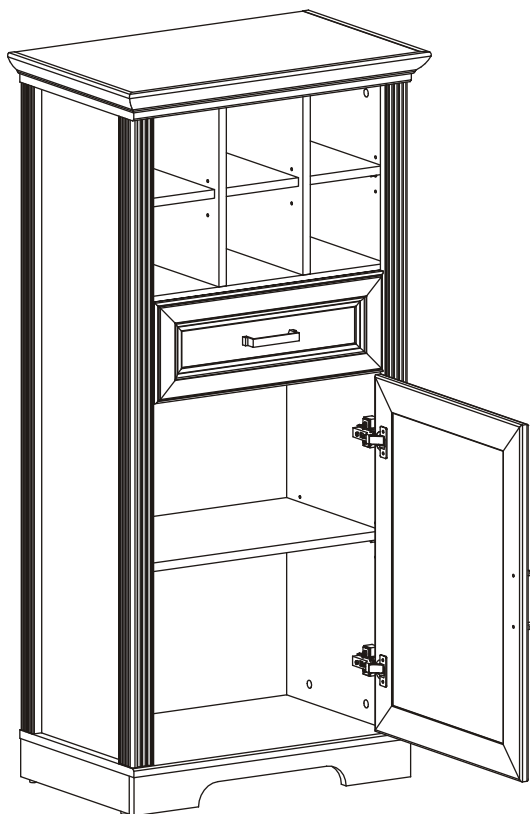


21

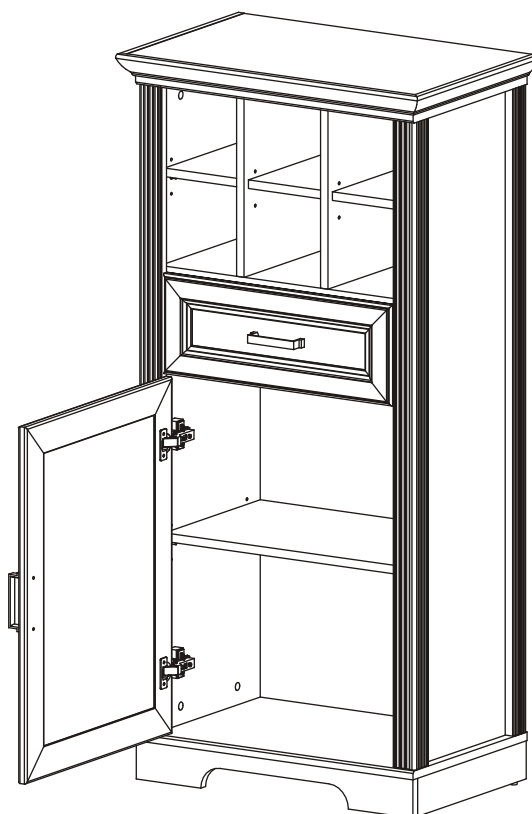


↑ +4 mm

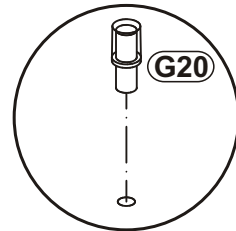
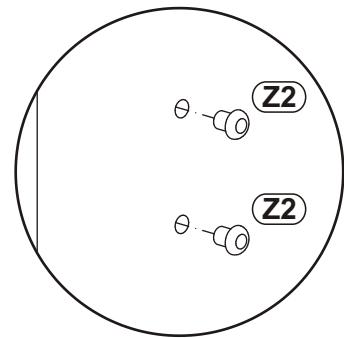
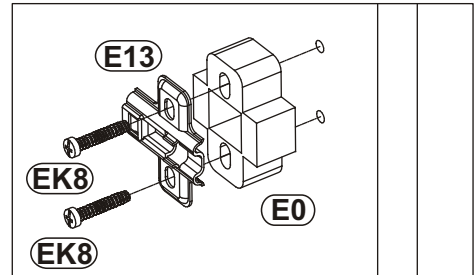
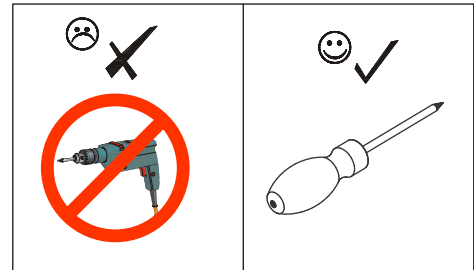
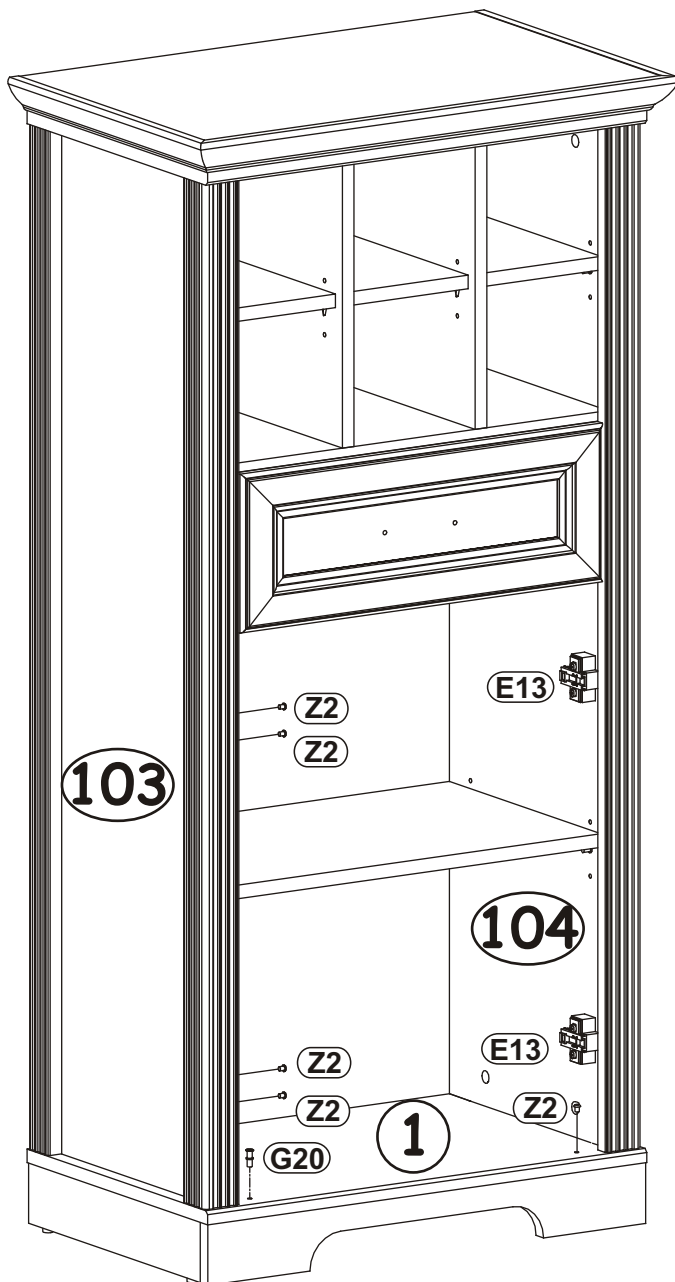
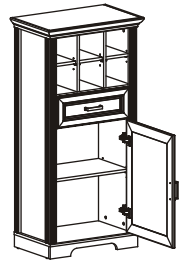
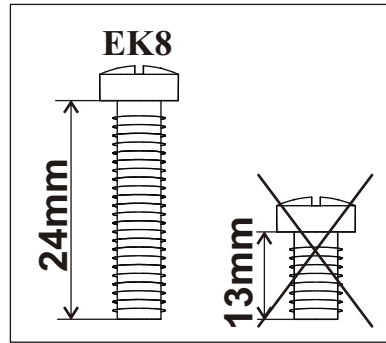
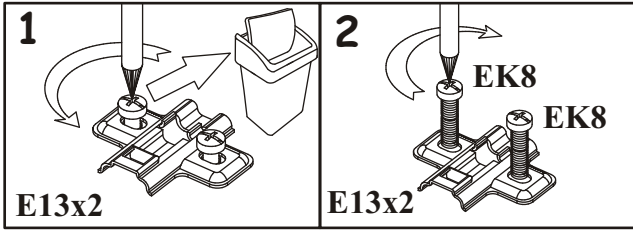
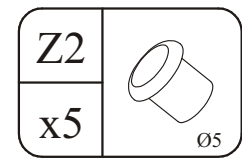
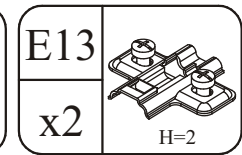
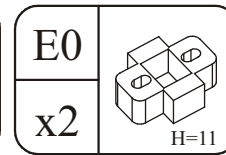
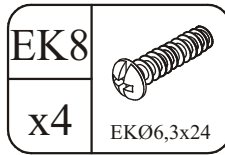
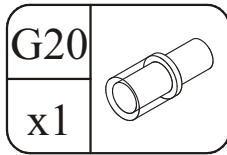
22 - 25



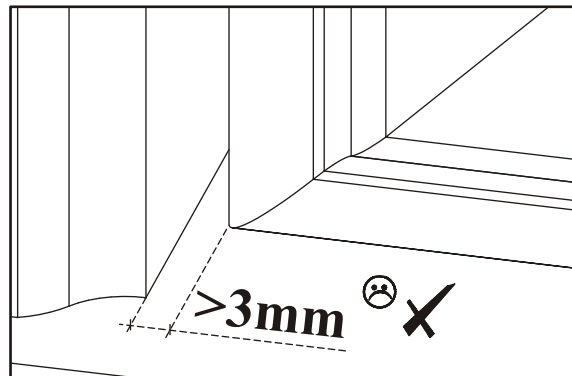
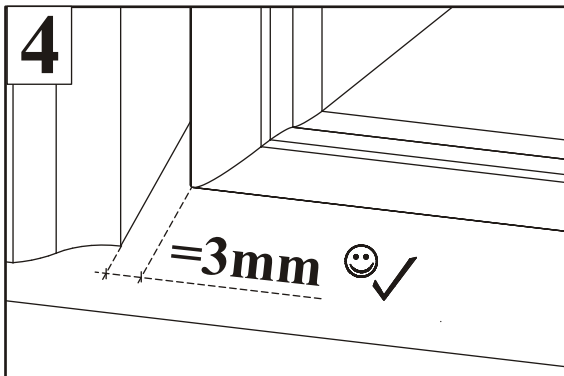
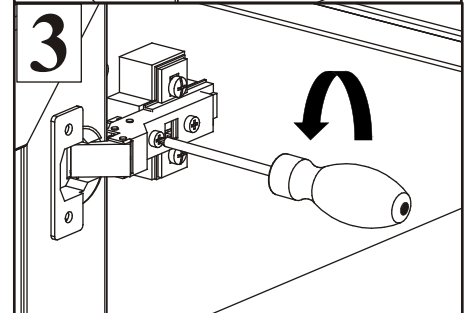
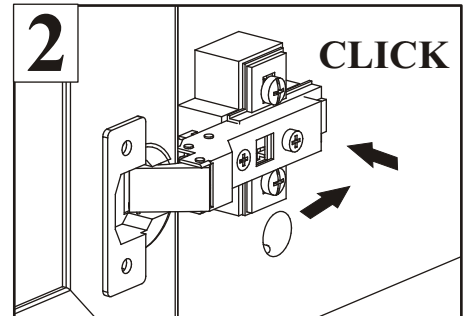
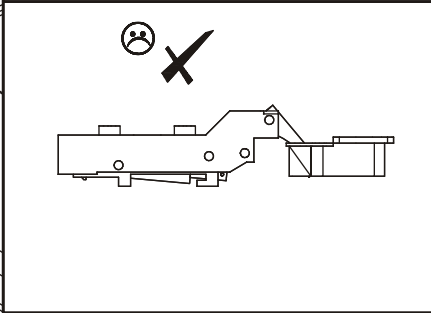
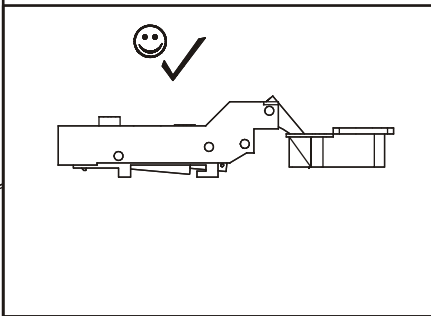
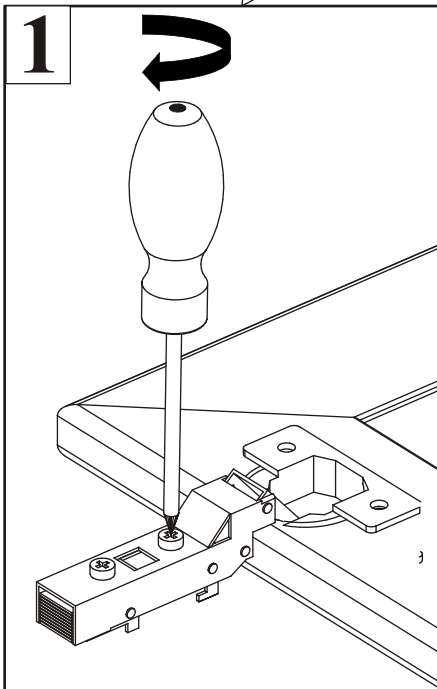
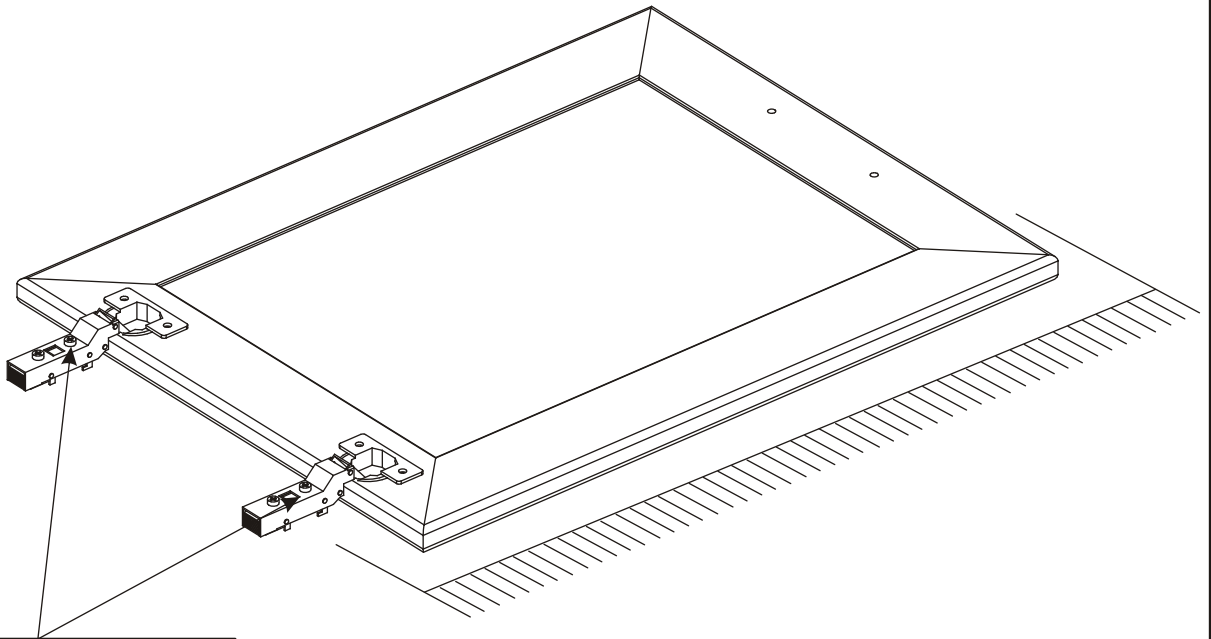
26 - 29



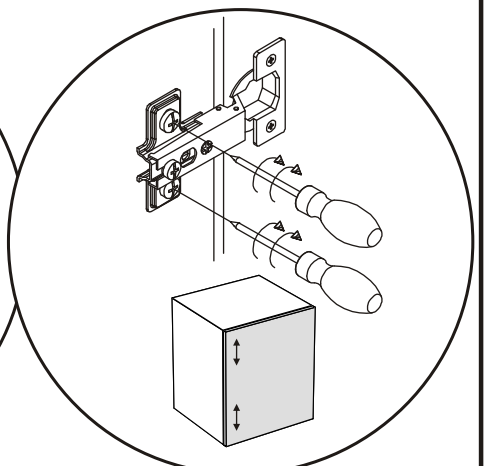
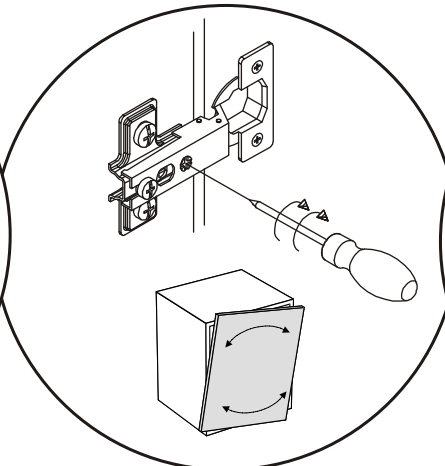
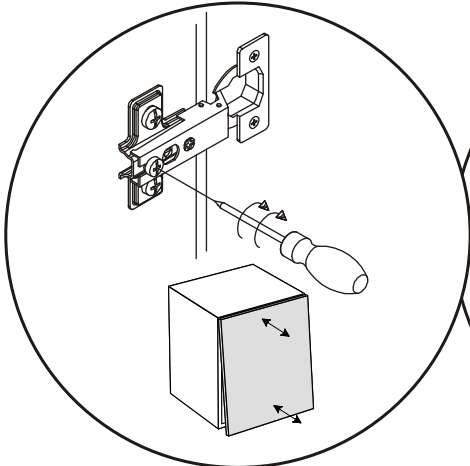
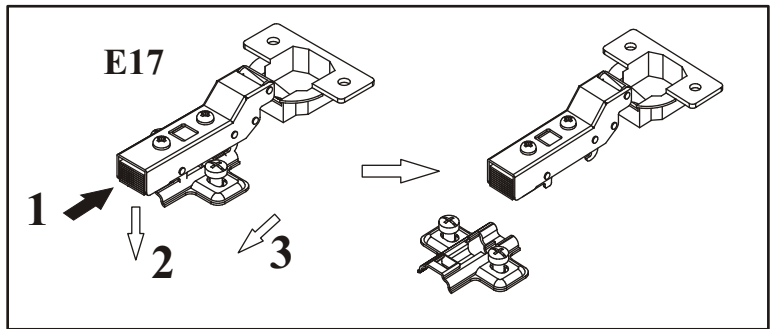
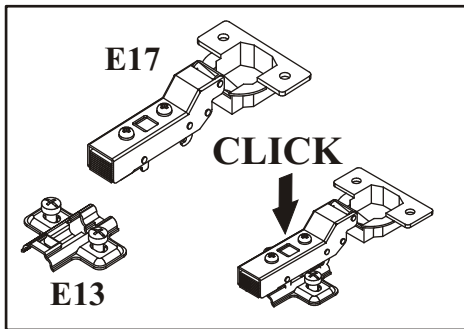
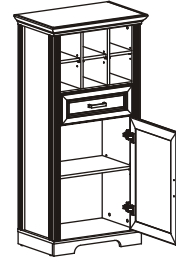
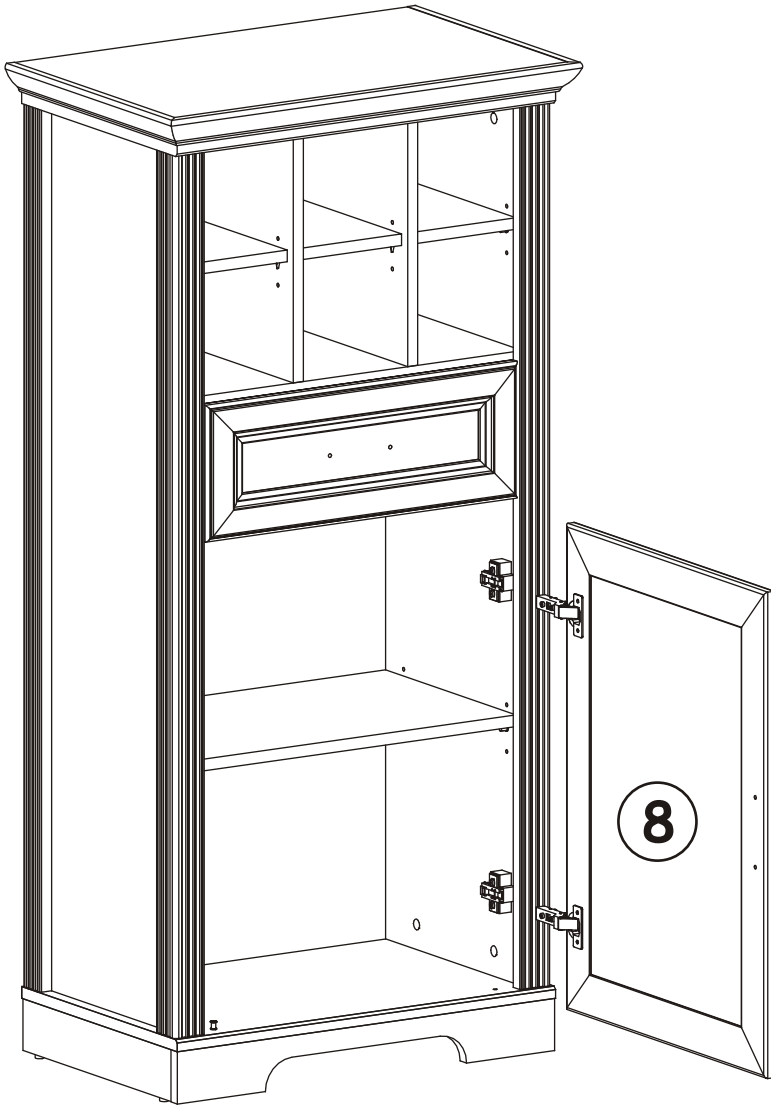
22

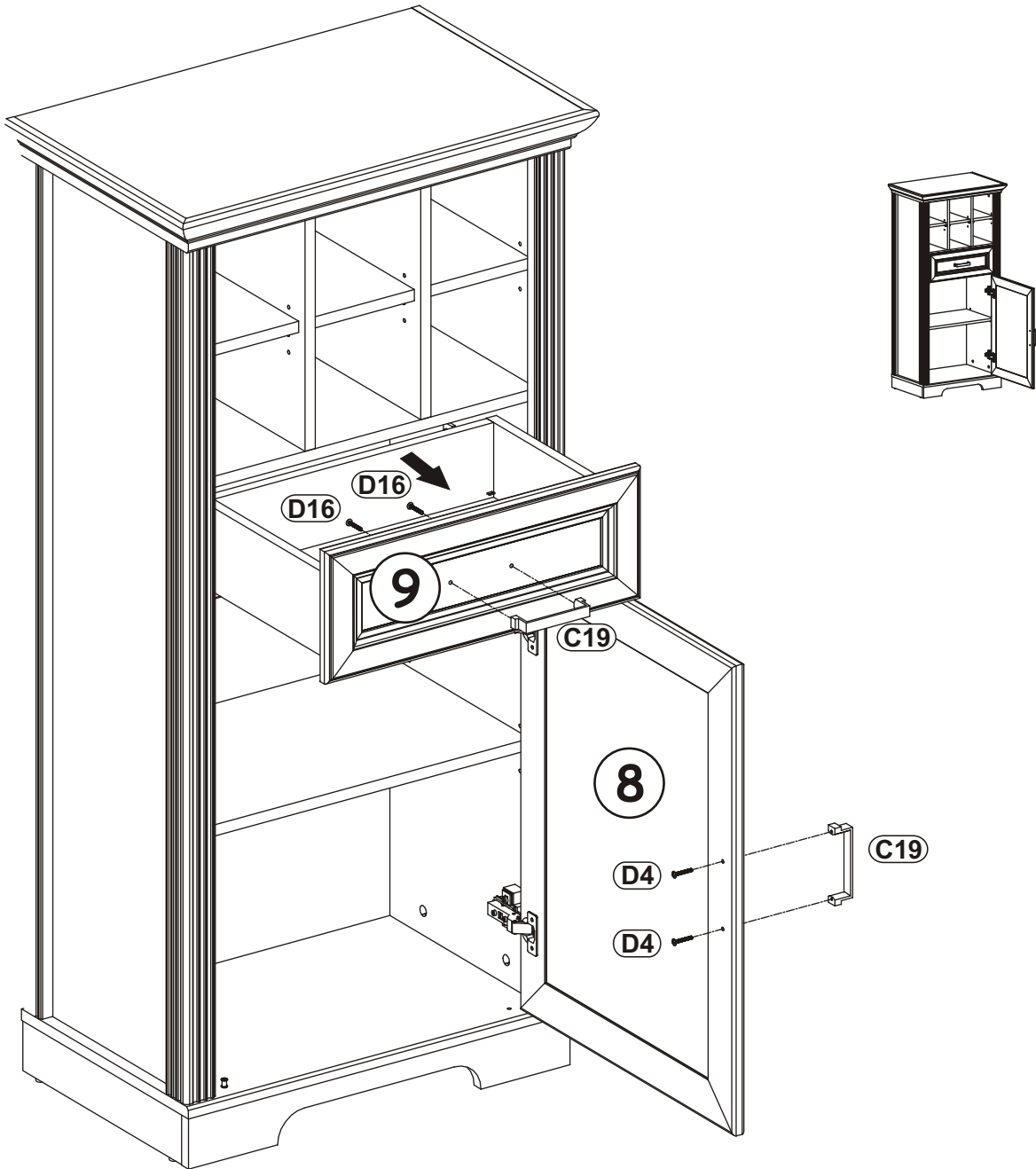
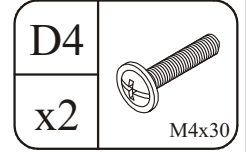
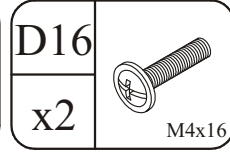
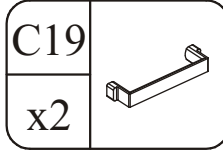


23

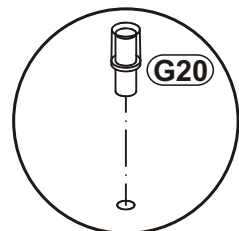
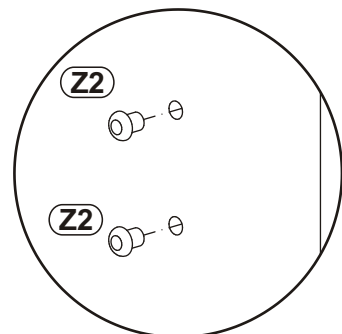
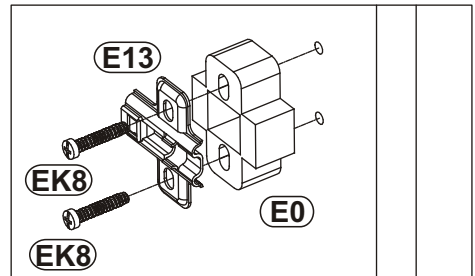
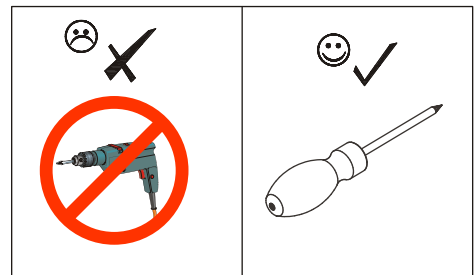
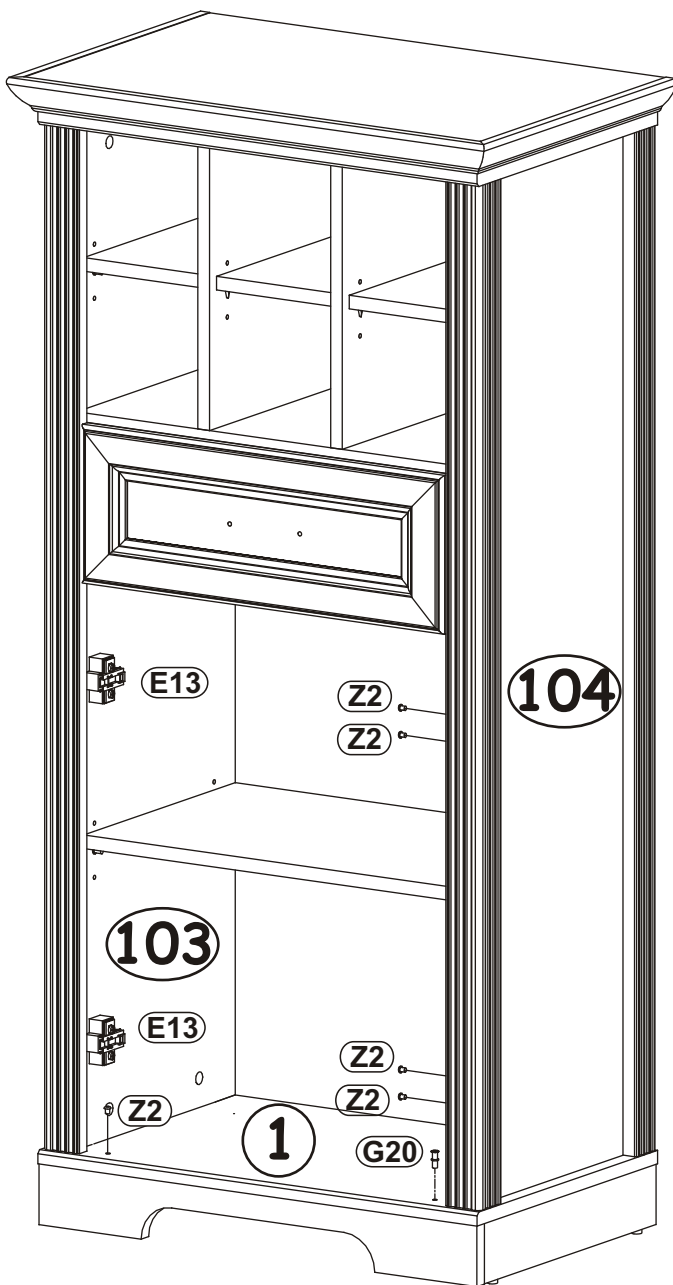
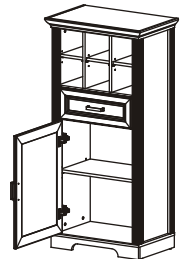
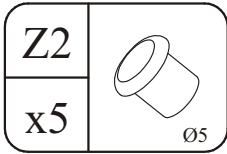
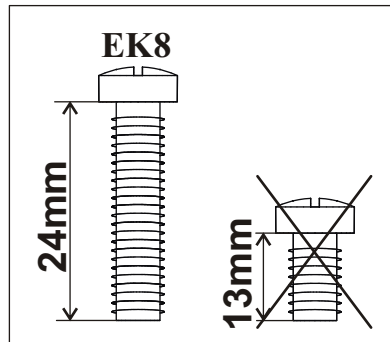
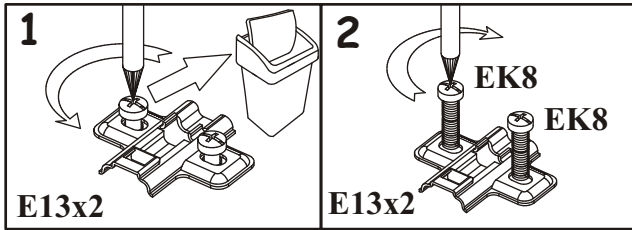
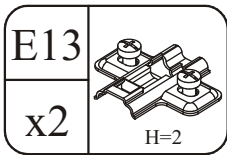
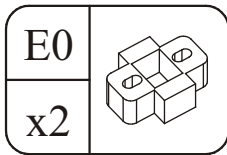
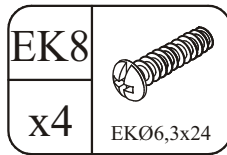
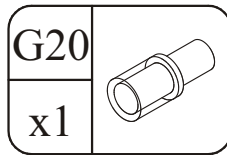


24









27

