

Instructions of Safety and Warnings:

- Any failure to comply with the safety and installation instructions in this manual may cause serious bodily injury.
- Overlooking any part of the instructions, warnings and additional information marked with the "Note" and "⚠" may result in serious damage to the system or its components.
- Children should never be allowed to operate or touch the product without direct supervision of an adult. Users should prevent children from being near or around the desk during operation.
- Disabilities and/or lack of experience and knowledge should be prevented from using the product unless under supervision or assisted during use and operation.
- Never sit on or exceed the rated weight of the desk.

⚠ Electrical Safety Instructions:

The product is powered by electricity. In order to avoid burns, fire and electric shock, please read the instructions carefully.

- Don't clean the product with water while the power is still connected.
- Don't disassemble or replace components while the power is still connected.
- Never operate the system with a damaged cord or plug. Please contact your point of purchase to replace the damaged parts.

- Never operate the system if it's in moist environment or its electrical components have contact with liquids.
- Don't operate the system if the control box makes noise or odor. Alterations of the given power unit and control box aren't allowed.

⚠ Other Safety Instructions:

- Remove any obstacles from the area around the desk during assembly and subsequent use.
- Organize all cords and wires to prevent any possible tripping or accidents from occurring.
- Never attempt to modify or change the desk frame or components that operate the desk.
- Don't add anything to the adjustable junctions of the desk frame.
- The desk is rated for Indoor Use Only.

Disposal: The product with this mark indicates that this product shouldn't be disposed with other household wastes throughout the EU. To prevent possible harm to the environment or human health from uncontrolled waste disposal, recycle it responsibly to promote the sustainable reuse of material resources. To return your used device, please use the local recycle service or contact your point of purchase to withdraw the product.

EN Electric lift desk with top and shelves

PL Biurko podnoszone elektrycznie z blatem i półkami

DE Elektrischer Lifttisch mit Platte und Regalen

FR Bureau à élévation électrique avec plateau et étagères

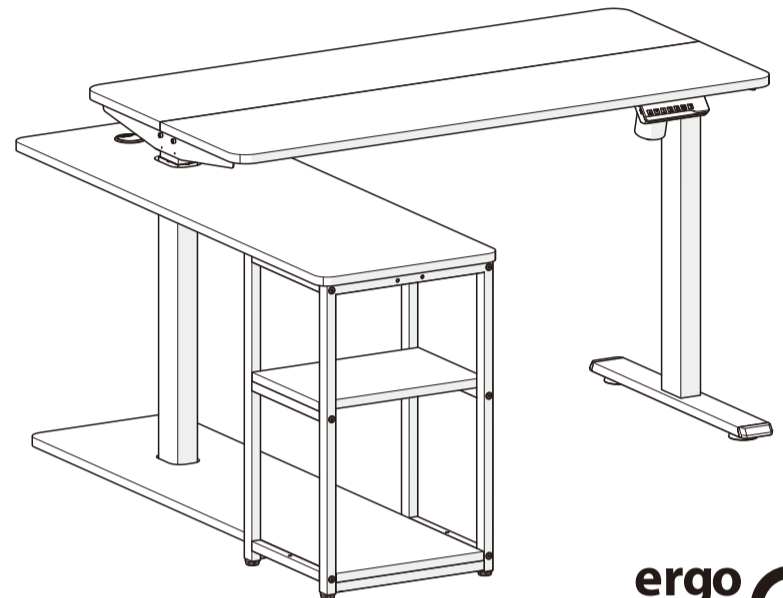
ES Escritorio elevable eléctrico con tablero y estantes

IT Scrivania elettrica con piano e ripiani

NL Elektrisch hefbureau met bovenblad en legplanken

CZ Elektrický zvedací stůl s deskou a policemi

RO Masă cu ridicare electrică cu blat și rafturi



ergo office

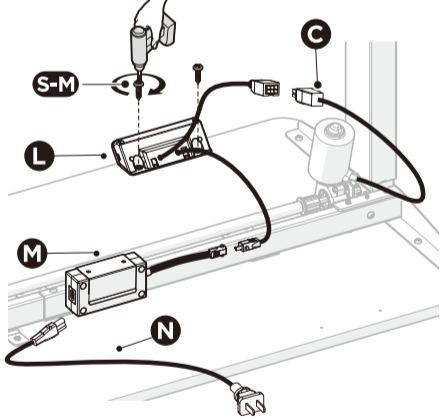
ER-450

7. Attaching the Controller

- Connect the **Controller L** with the **AC Adapter M** and motor as shown.
- Insert the **Power Plug N** into the **AC Adapter M**.
- Insert the cable from **Lifting Column C** into the **Controller L**.
- Attach the **Controller L** to the desktop using **2 ST3.5x13 Screws S-M**.

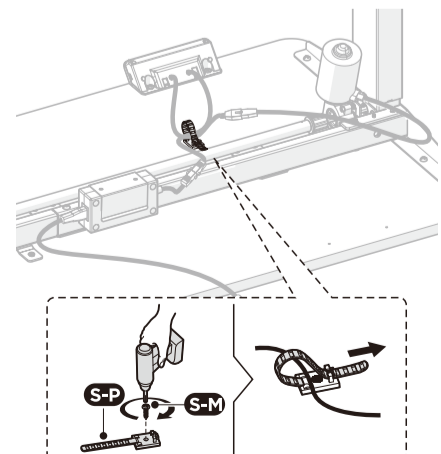
Note: The Controller and the Motor should be installed in the same side of the desktop.

Note: Do not plug into the power before the desk is fully assembled.



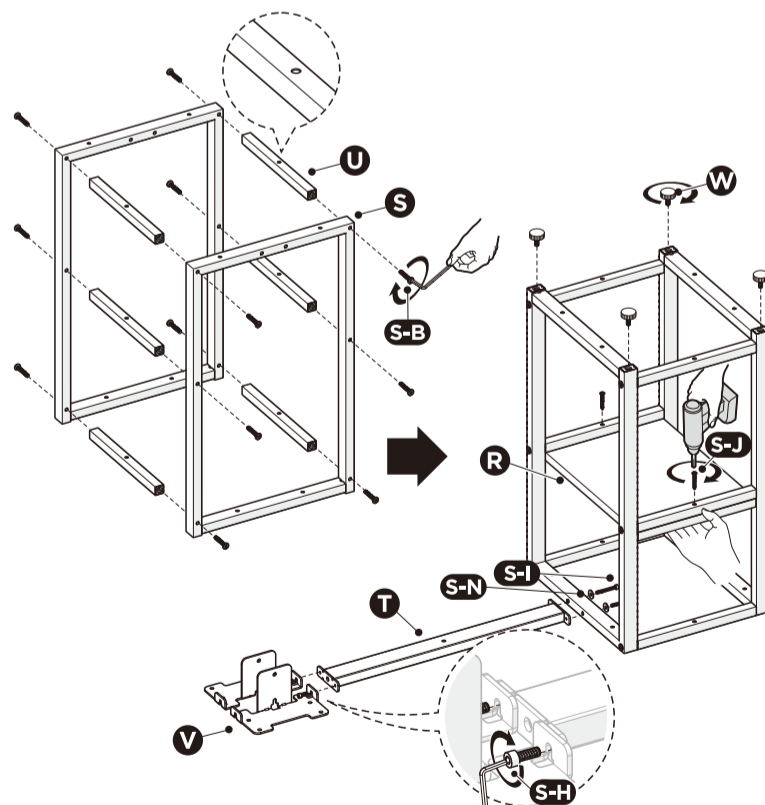
8. Cable Management

- Run the cables through the **Cable Clips S-P** and attach the **Cable Clips** to the desktop with **ST3.5x13 Screws S-M** to ensure clean and neat surface.

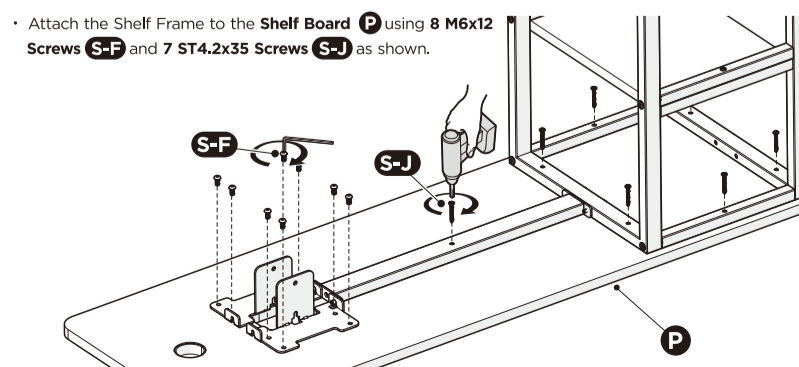


9. Assemble the Shelf

- Assemble the **Shelf Brackets U / S** using **12 M6x40 Screws S-B**.
- Attach **Shelf Board R** to the Bracket using **2 ST4.2x35 Screws S-J**.
- Attach **4 Leveling Feet W** to the bottom of the shelf.
- Attach the **2 Connecting Components V** to the **Crossbar T** using **2 M5x10 Screws S-H**.
- Attach the **Crossbar T** to the Shelf using **2 Washers S-N** and **2 M5x40 Screws S-I**.



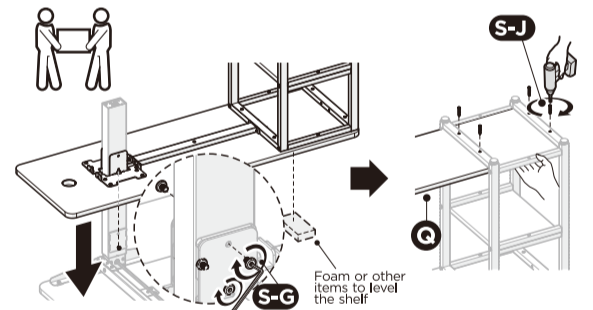
- Attach the Shelf Frame to the **Shelf Board P** using **8 M6x12 Screws S-F** and **7 ST4.2x35 Screws S-J** as shown.



10. Assemble the Shelf and Shelf Board

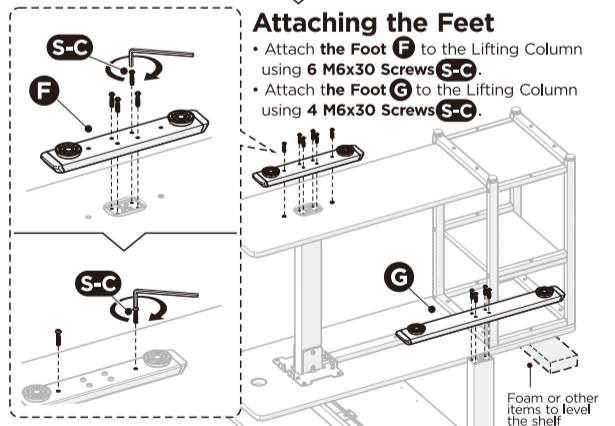
- Insert the Shelf to the desk frame as shown. Tighten the two pre-installed **M6x8 screws S-G** and attach another **2 M6x8 screws S-G** to the column.
- Attach the **Shelf Board C** to the Shelf Frame using **4 ST4.2x35 Screws S-J**.

Caution: After attaching the shelf to the desk frame, another side of the shelf should be padded with a foam or other items to keep this shelf level.



Attaching the Feet

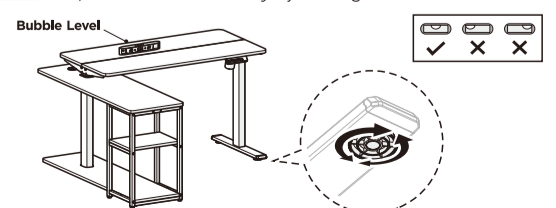
- Attach the **Foot F** to the Lifting Column using **6 M6x30 Screws S-C**.
- Attach the **Foot G** to the Lifting Column using **4 M6x30 Screws S-C**.



11. Adjusting the Desk

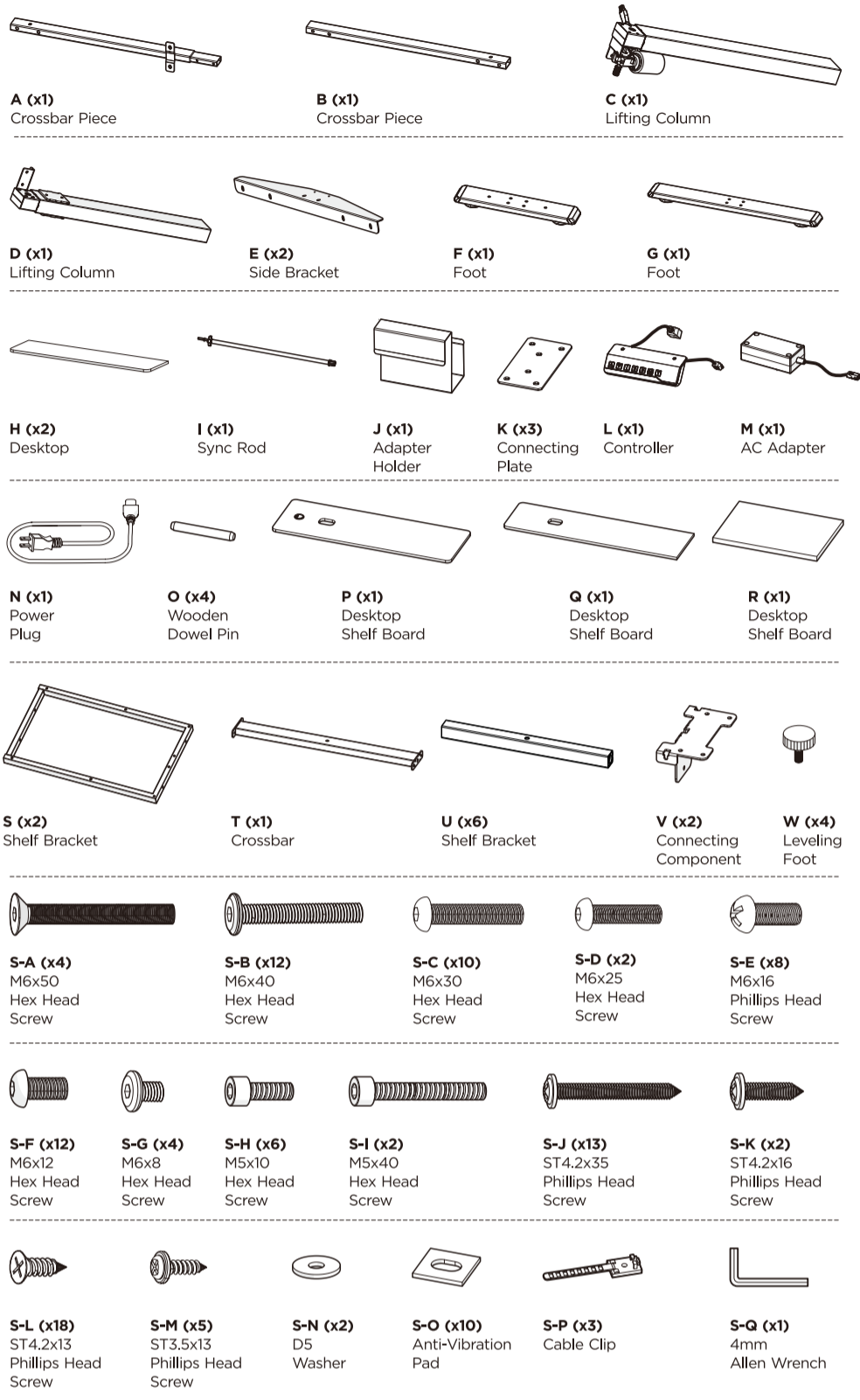
- Turn over the desk with the help of another person.
- There are two adjustable foot pads under each foot and four leveling feet under the shelf. If the floor isn't even, simply turn the pad or leveling foot to adjust the level to make the desk stable.
- Tip:** Use a bubble level (not included) to check if the desktop is even.
- Connect the desk to power. Keep holding the press on the controller to adjust the desk to desired height.

CAUTION: At least two people are required when turning over the desk, otherwise serious bodily injuries might occur.

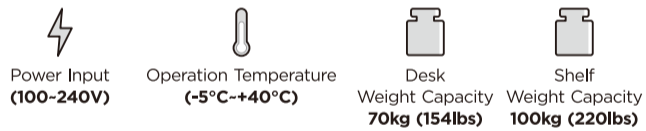


Checklist and Installation

Please check all of the components shown in the component checklist. If any of the components are missing or damaged, contact your point of purchase for a replacement.



What important specifications should know before installation?

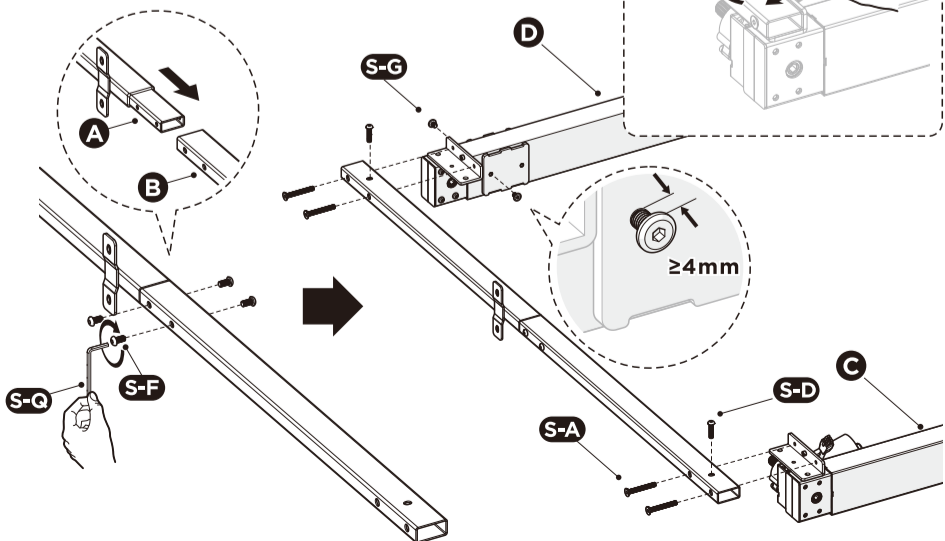
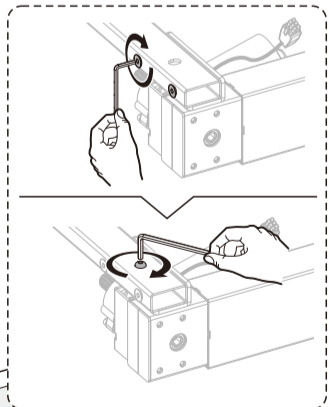


What tools are needed to assemble the desk frame?



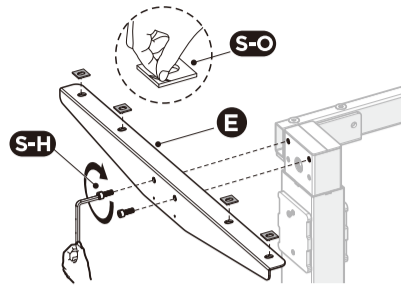
1. Attaching the Crossbar

- Assemble the **Crossbar Pieces A / B** using 4 **M6x12 Screws S-F**.
- Attach the **Crossbar** to the **Lifting Columns C / D** using 4 **M6x50 Screws S-A** and 2 **M6x25 Screws S-D** as shown in the illustration.
- Attach 2 **M6x8 Screws S-G** to the Column. Tighten but do not fully tighten the screws as shown.



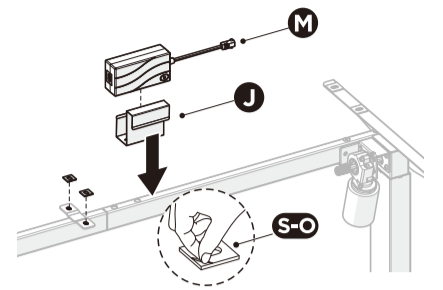
2. Attaching the Side Brackets

- Attach each **Side Bracket E** to the **Lifting Column** using 2 **M5x10 Screws S-H**.
- Attach 4 **Anti-Vibration Pads S-O** to the **Side Bracket** as shown.
- Repeat the same process to attach the other side bracket.



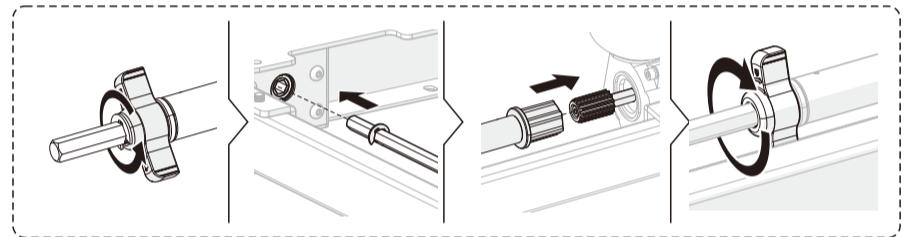
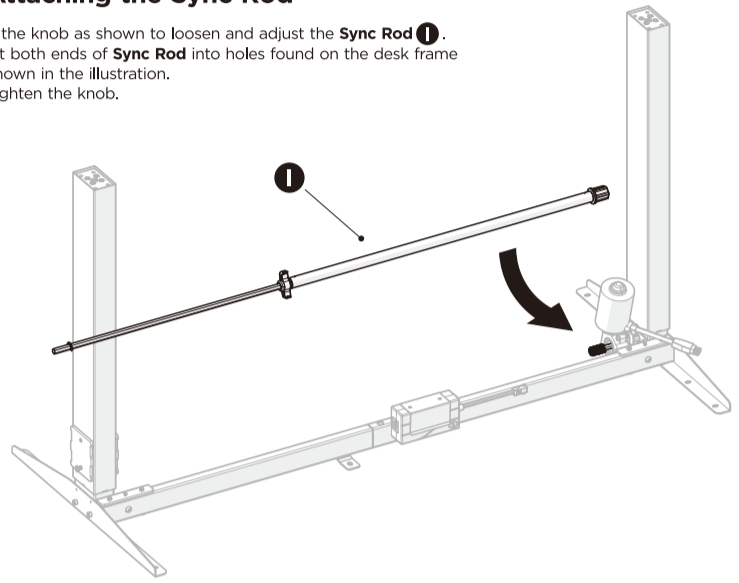
3. Attaching AC Adapter

- Attach 2 **Anti-Vibration Pads S-O** to the **Crossbar** as shown.
- Hang the **Adapter Holder J** on the crossbar as shown, then put the **AC Adapter M** into it.



4. Attaching the Sync Rod

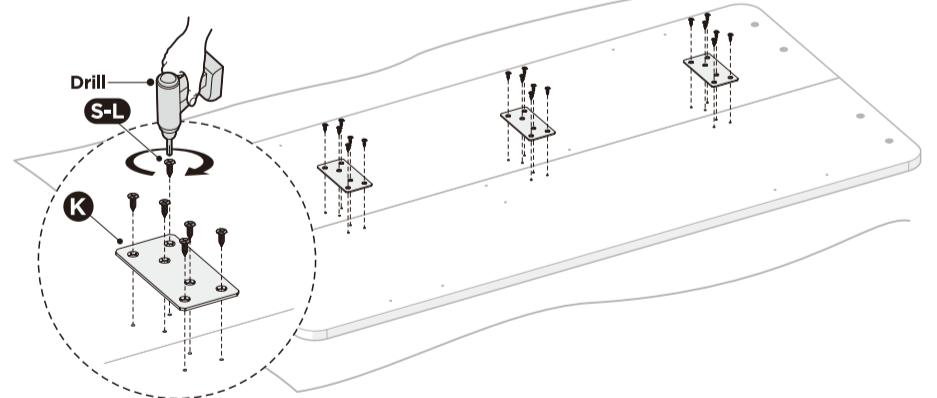
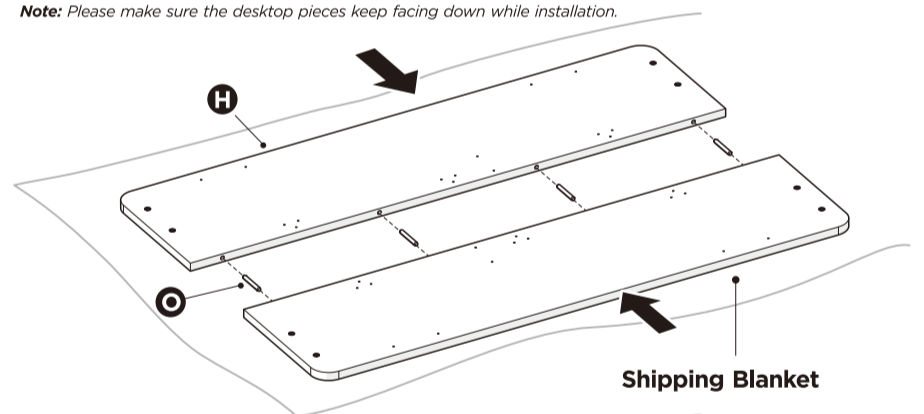
- Turn the knob as shown to loosen and adjust the **Sync Rod I**.
- Insert both ends of **Sync Rod** into holes found on the desk frame as shown in the illustration.
- Re-tighten the knob.



5. Assembling the Desktop

- Carefully place 2 pieces of **Desktop H** upside down on the floor as shown.
- Assemble the split desktop with 4 **Wooden Dowel Pins O** and 3 **Connecting Plates K** using 18 **ST4.2x13 Screws S-L**.

Note: Please make sure the desktop pieces keep facing down while installation.



6. Drilling to the Desktop

- Attaching the assembled desk frame to the desktop through the mounting holes found on the **Side Brackets** and **Crossbar** as shown in the illustration using 8 **M6x16 Screws S-E** and 2 **ST4.2x16 Screws S-K**.

