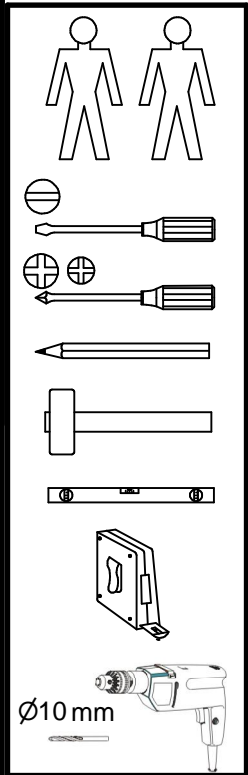
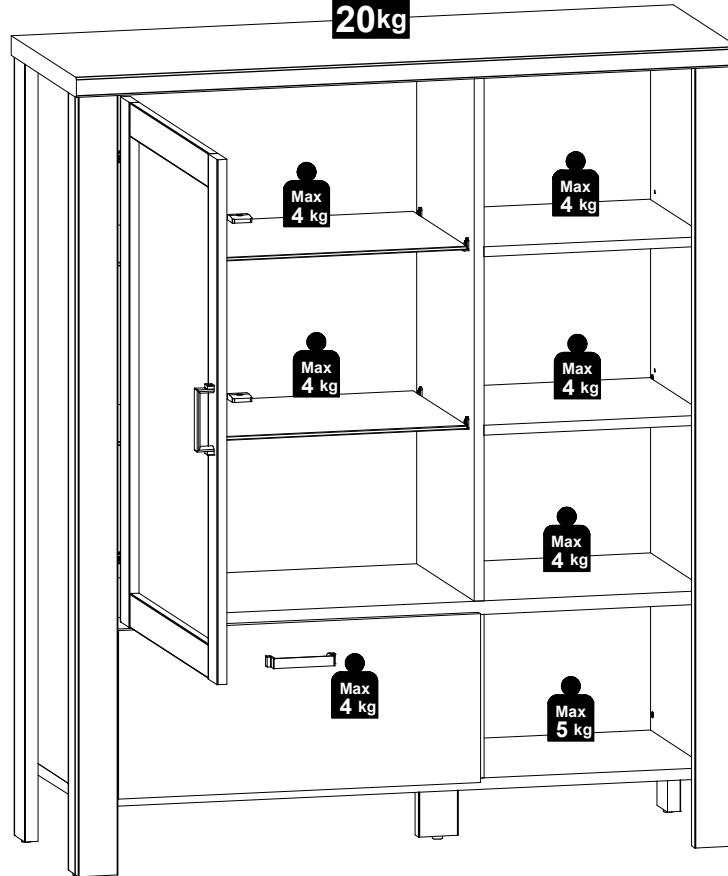
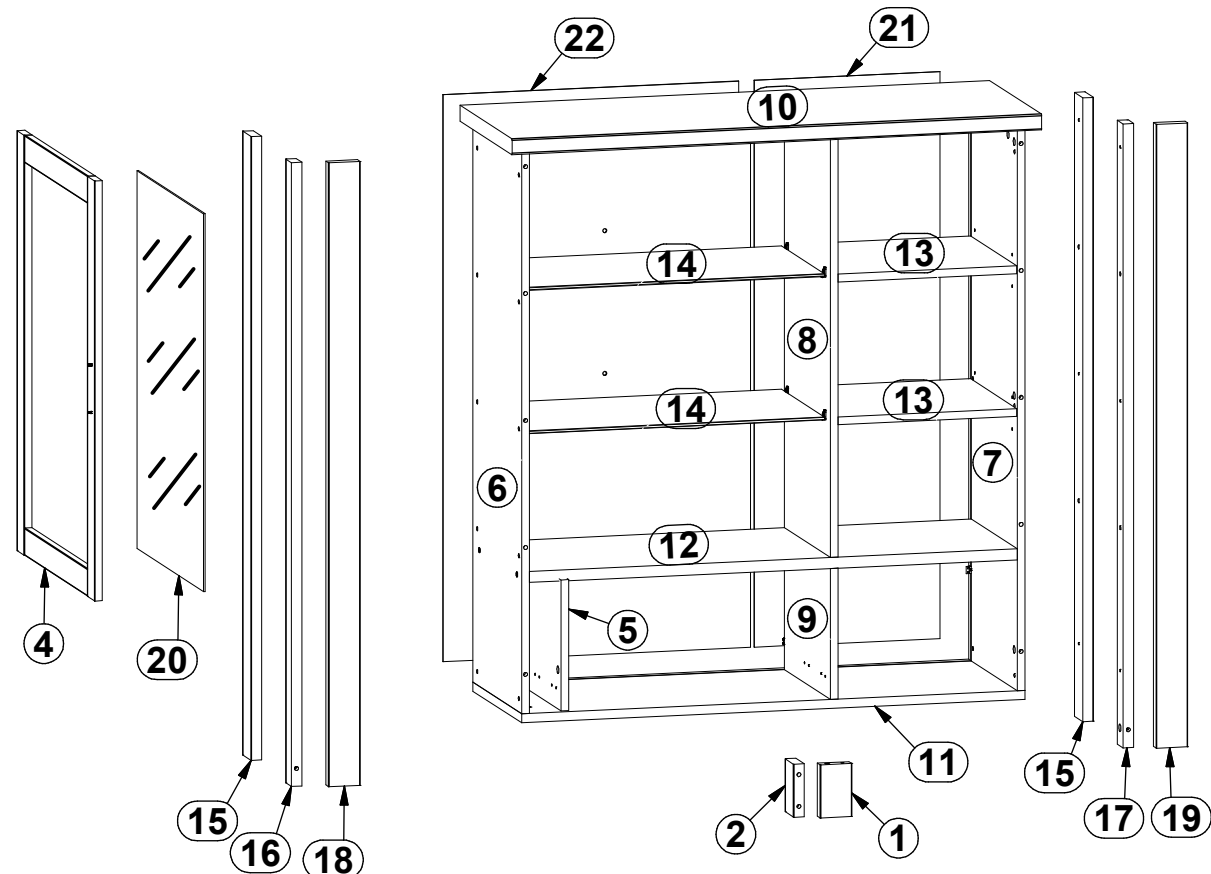
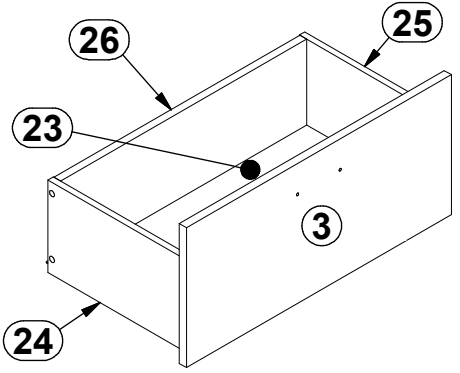


Max
20kg





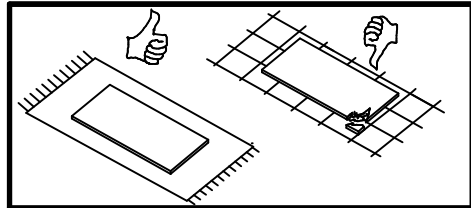
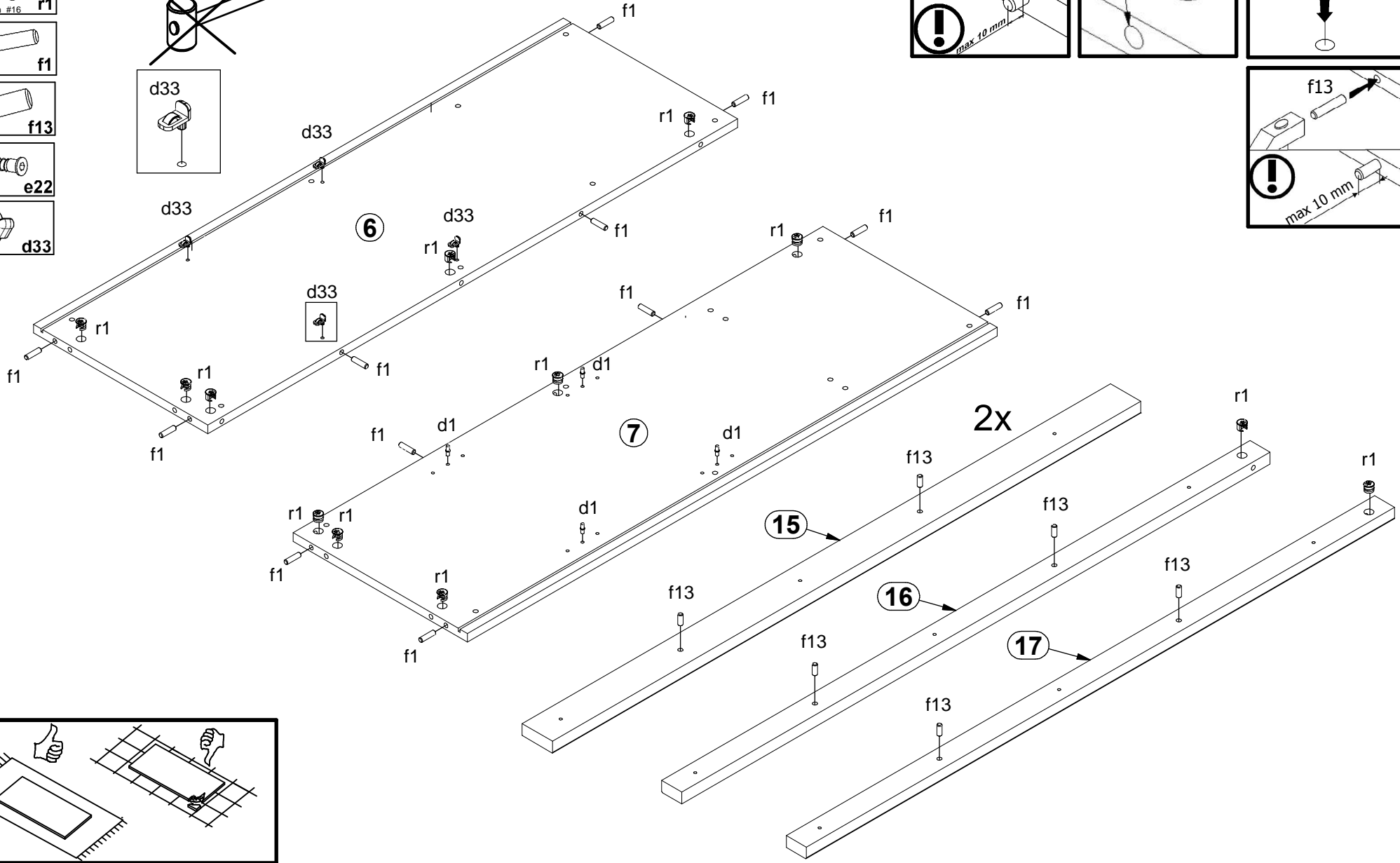
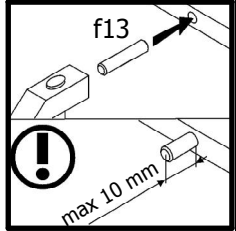
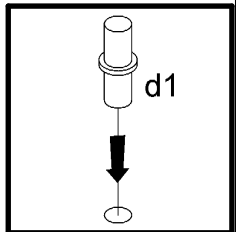
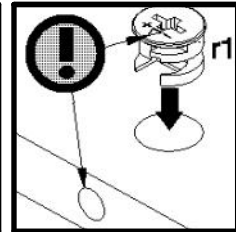
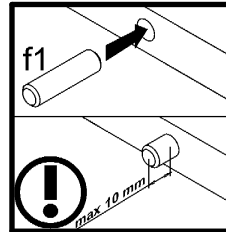
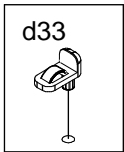
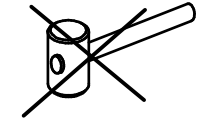
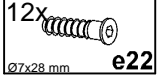
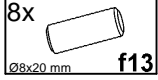
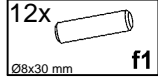
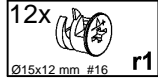
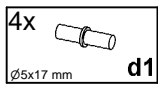
A	B	C1	C2	C3	D
1	M249-5015	107	65	22	2/3
2	M249-5025	107	65	22	2/3
3	S510-0008	596	272	16	3/3
4	S510-0009	847	596	16	3/3
5	S510-1010	264,	353	16	1/3
6	S510-1011	1133	373	16	2/3
7	S510-1012	1133	373	16	2/3
8	S510-1013	847,	353	16	2/3
9	S510-1014	264,	353	16	1/3
10	S510-2005	1090	400	32	1/3
11	S510-2006	1036	373	18	3/3
12	S510-3009	1004,	353	22,	1/3
13	S510-3010	368	353	16	3/3
14	S510-3016	612	330	6,	1/3
15	S510-5019	1258	65	22	2/3
16	S510-5020	1258	43	22	2/3
17	S510-5021	1258	43	22	2/3
18	S510-5024	1258	65	22	2/3
19	S510-5025	1258	65	22	2/3
20	S510-5504	762	511	3	3/3
21	S510-9003	1143	382	2,5	3/3
22	S510-9004	1143	632	2,5	3/3
23	WSP-9316	563	308	2,5	3/3
24	ZQ6-501	300	180	12	1/3
25	ZQ6-502	300	180	12	1/3
26	ZQ6-5107	553	167	15	1/3

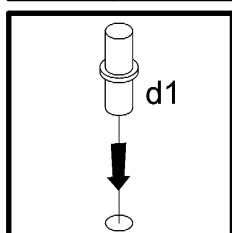
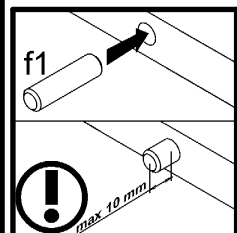
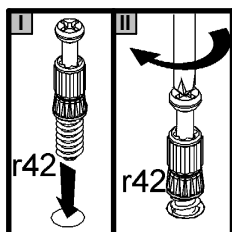
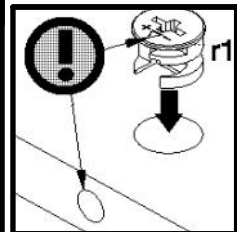
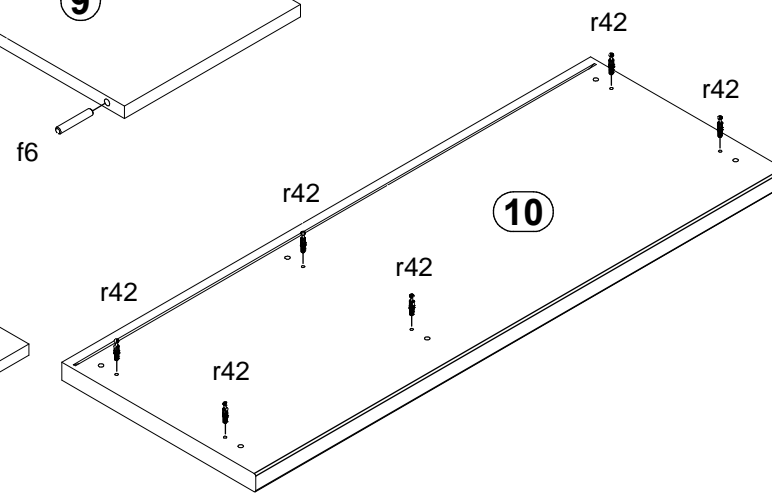
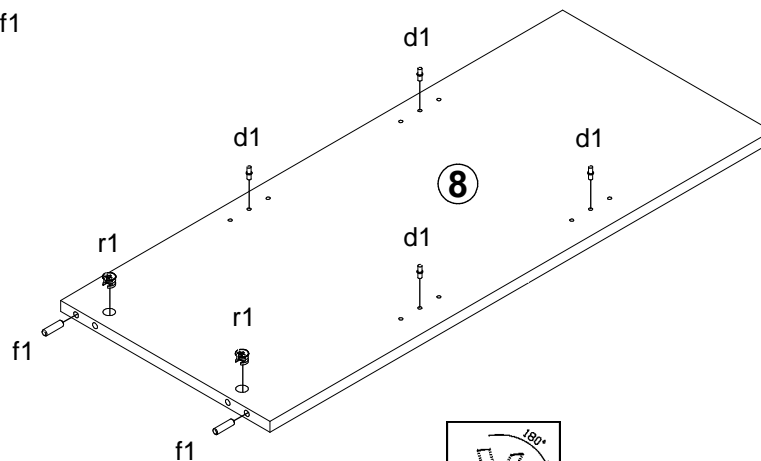
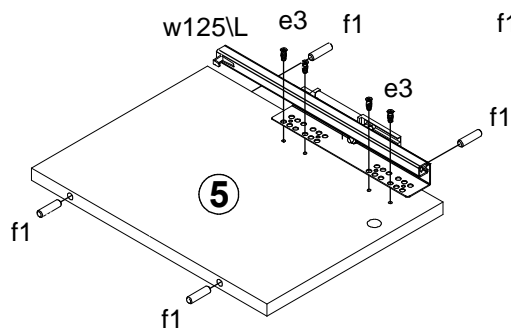
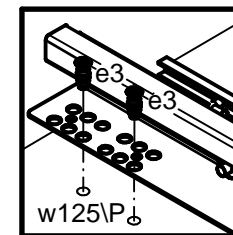
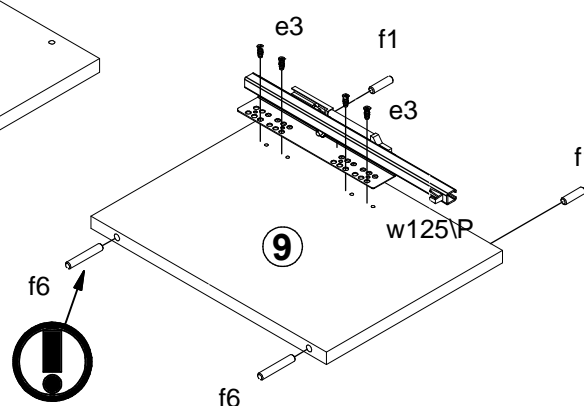
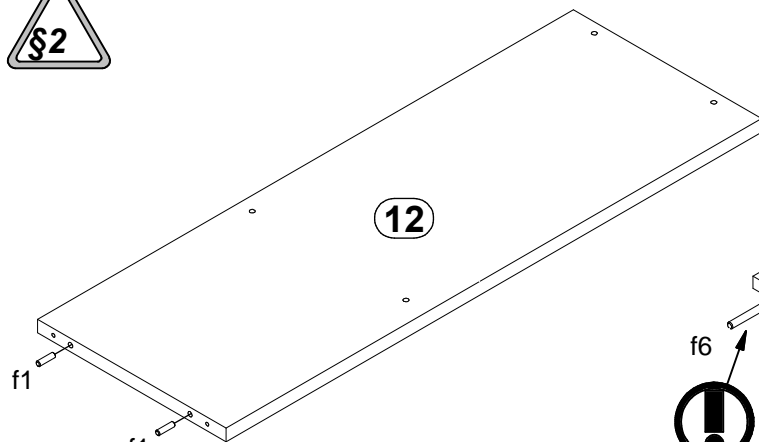
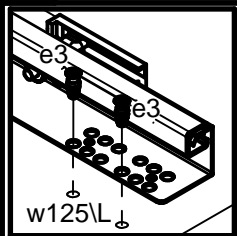


2x a202	2x b89	2x c453	8x d1 Ø5x17 mm	11x e1 Ø7x50 mm	7x n108 20x13x3.51	9x p55 Ø2.9x16 mm	4x j30 M4x22 mm	5x k1
12x l2	8x l3	2x o851	8x e3 Ø6x13 mm	12x e22 Ø7x28 mm	24x f1 Ø8x30 mm	2x f6 Ø8x50 mm	8x f13 Ø8x20 mm	4x f25 Ø6.5x40 mm
12x p38 Ø3.5x16 mm	4x p51 Ø3.5x15 mm	15x r1 Ø15x12 mm #16	4x r15 Ø12x10.5 mm #12	19x r42 20/11	8x p61 Ø3.5x16 mm	1x w125/P 300mm	1x w125/L 300mm	1x z1
1x o80\3	1x o75\2 6W	8x d33	1x t25 300 mm	1x p25 Ø3.5x16 mm	1x p35 Ø3.5x10 mm	10x s1	11x s2 Ø16	

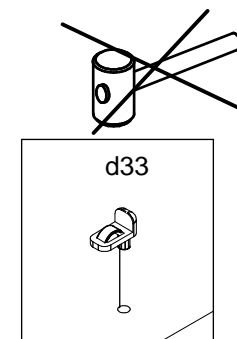
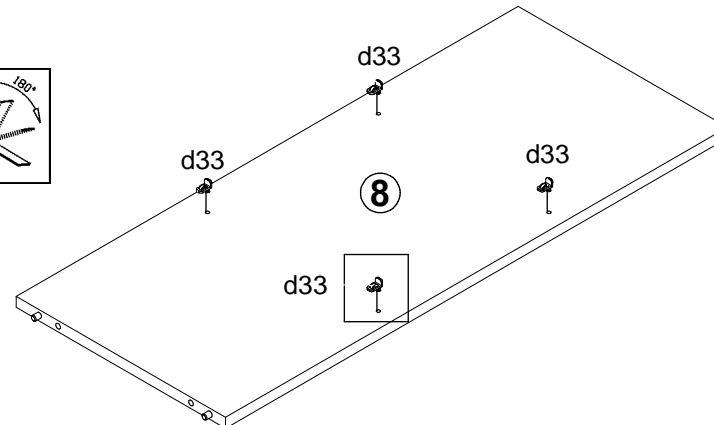
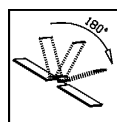
1x f35 Ø10x50 mm	1x p17 Ø5x60 mm	2x p38 Ø3.5x16 mm	1x n14\2 86x21x15/1.5
------------------------	-----------------------	-------------------------	-----------------------------



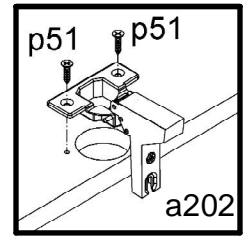
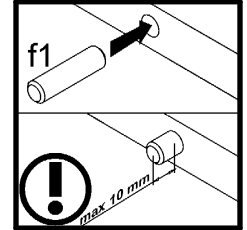
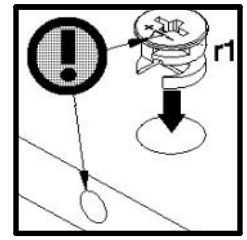
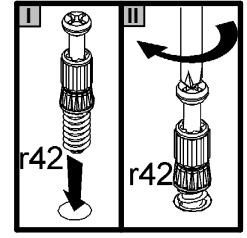
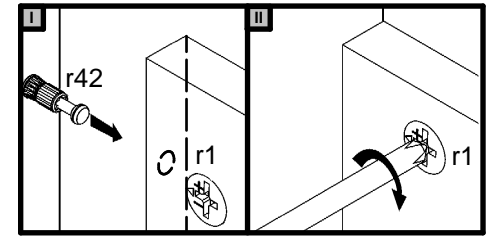
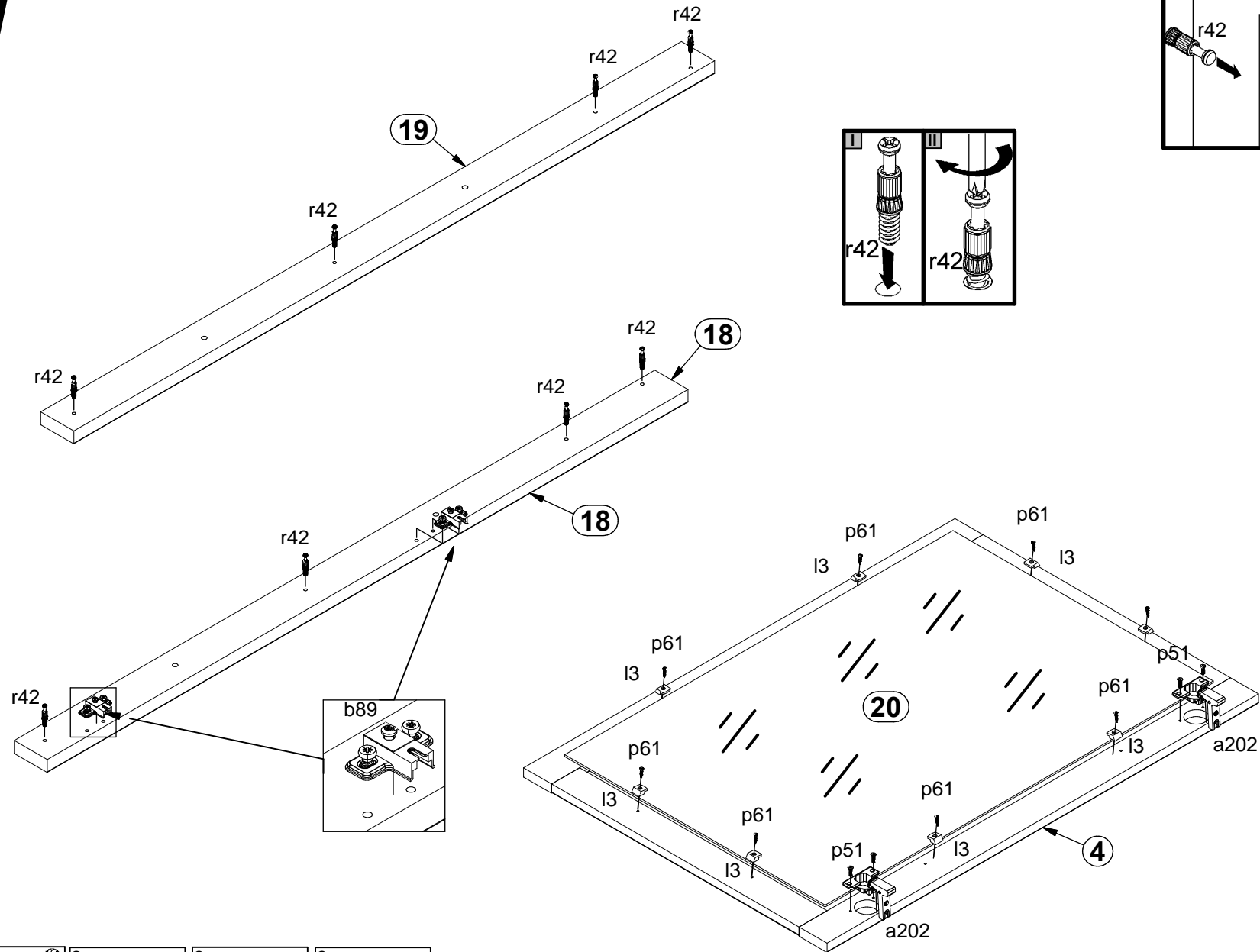



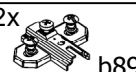
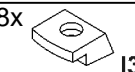
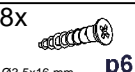



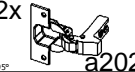
2x Ø15x12 mm #16 r1	10x Ø8x30 mm f1	4x Ø5x17 mm d1
6x r42	4x d33	1x 300mm w125\P
1x 300mm w125\L	8x Ø6x13 mm e3	2x Ø8x50 mm f6



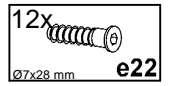
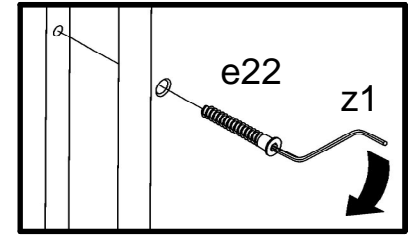
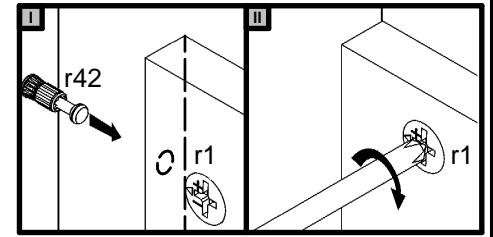
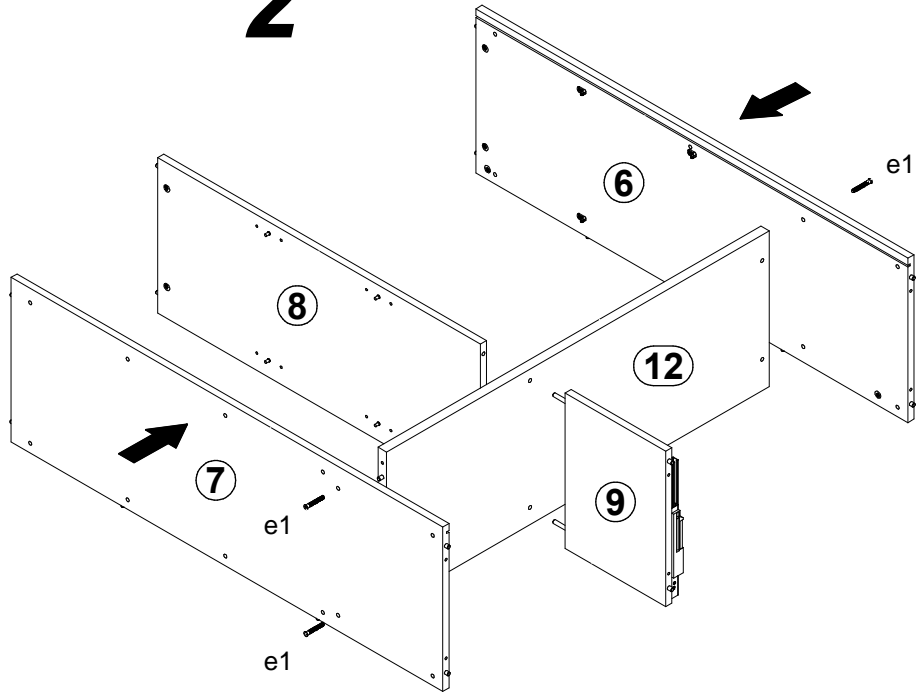
1



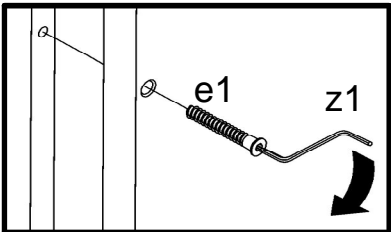
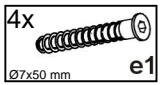
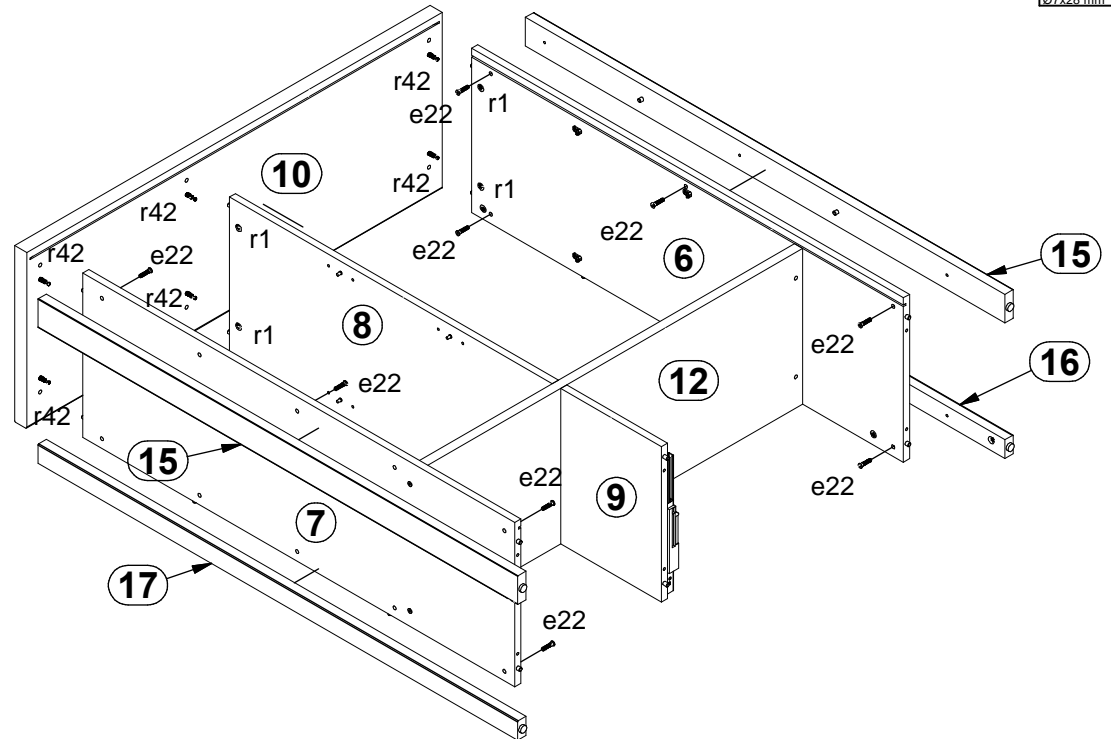
- 8x  r42
- 2x  b89
- 8x  l3
- 8x  p61

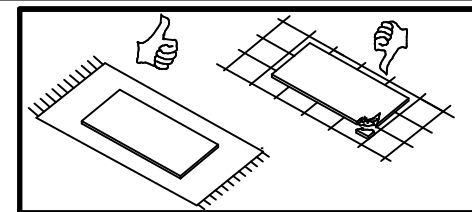
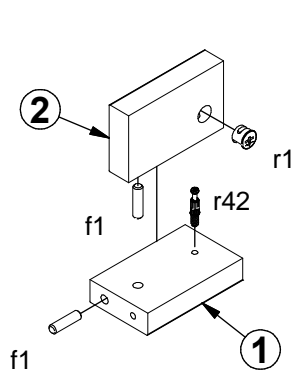
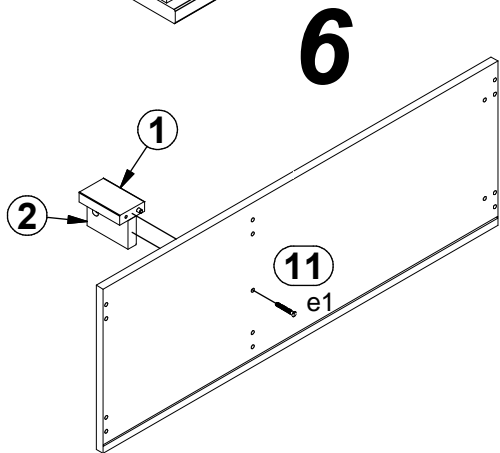
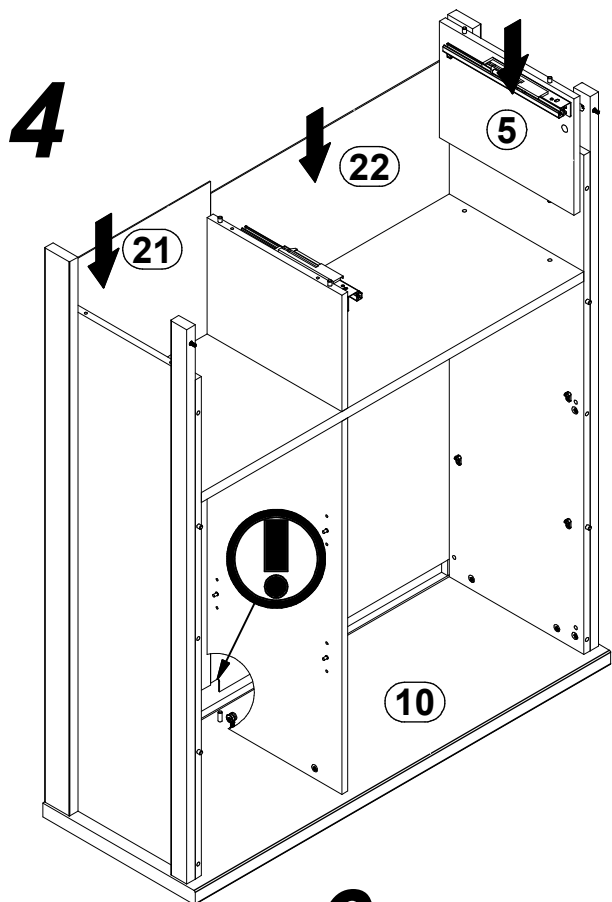
- 4x  p51
- 2x  a202

2

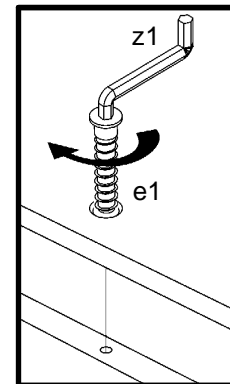


3





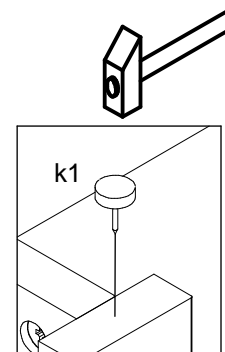
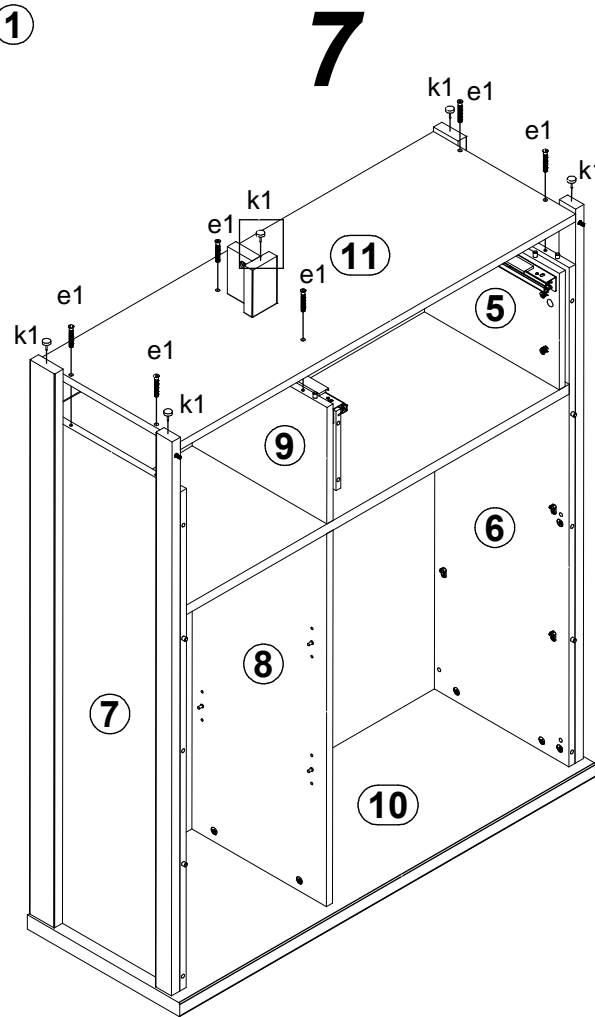
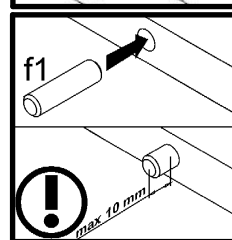
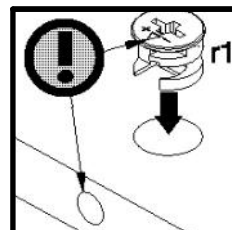
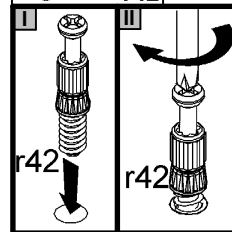
- 7x e1
Ø7x50 mm
- 5x k1

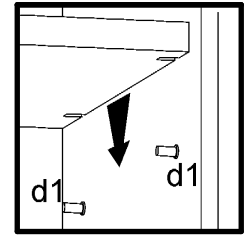
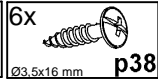
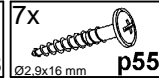
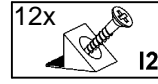
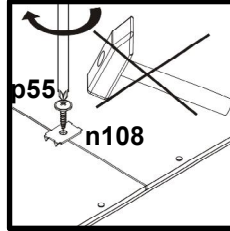
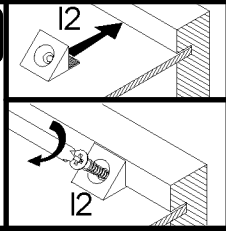
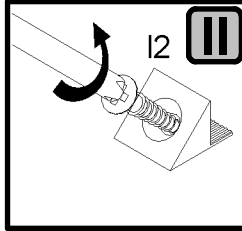
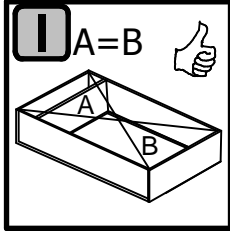


- 2x f1
Ø8x30 mm

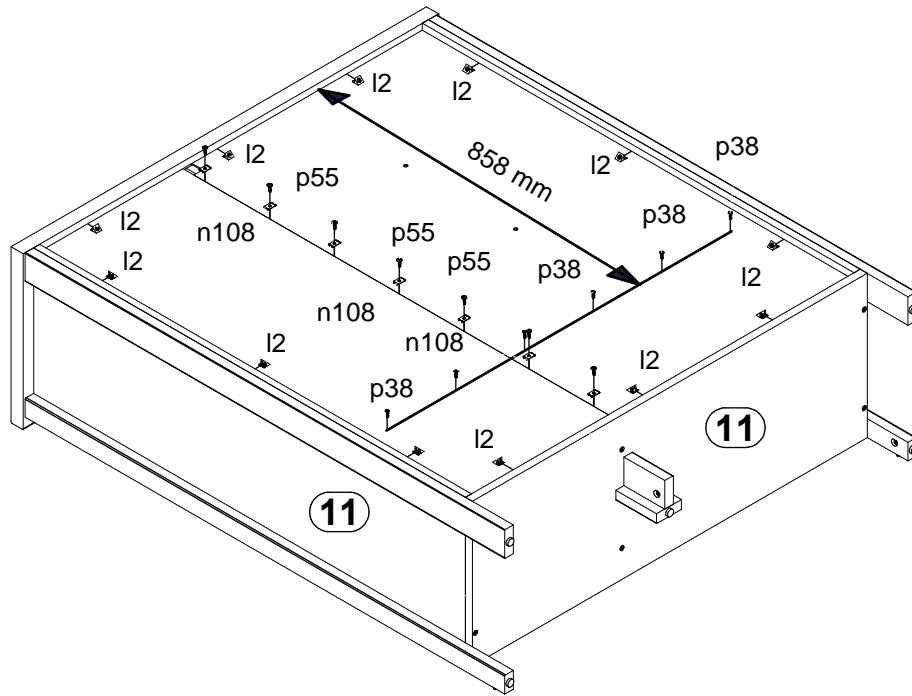
- 1x r1
Ø15x12 mm #16

- 1x r42

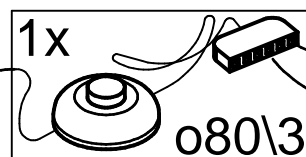
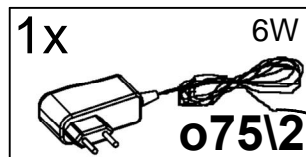
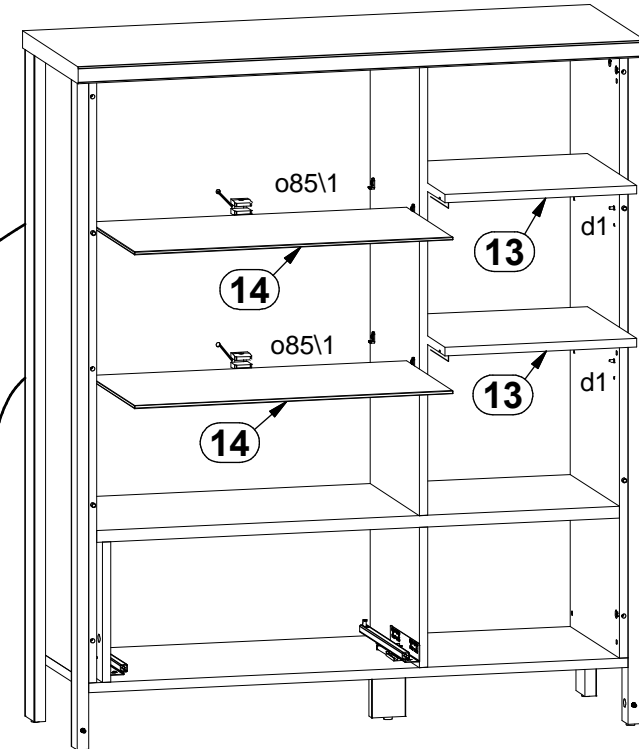


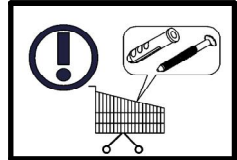
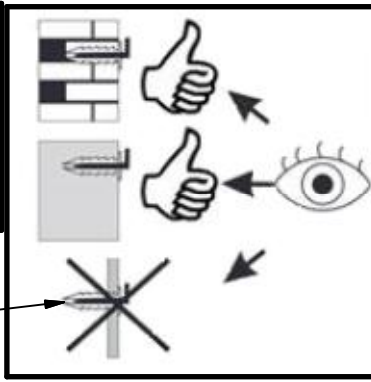
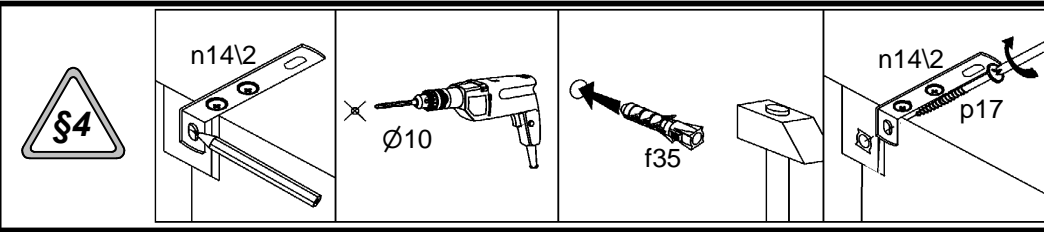
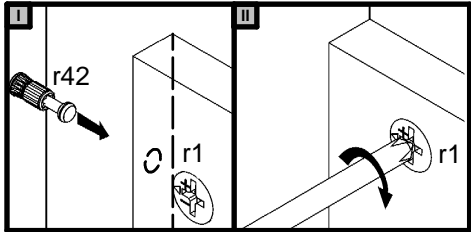


8

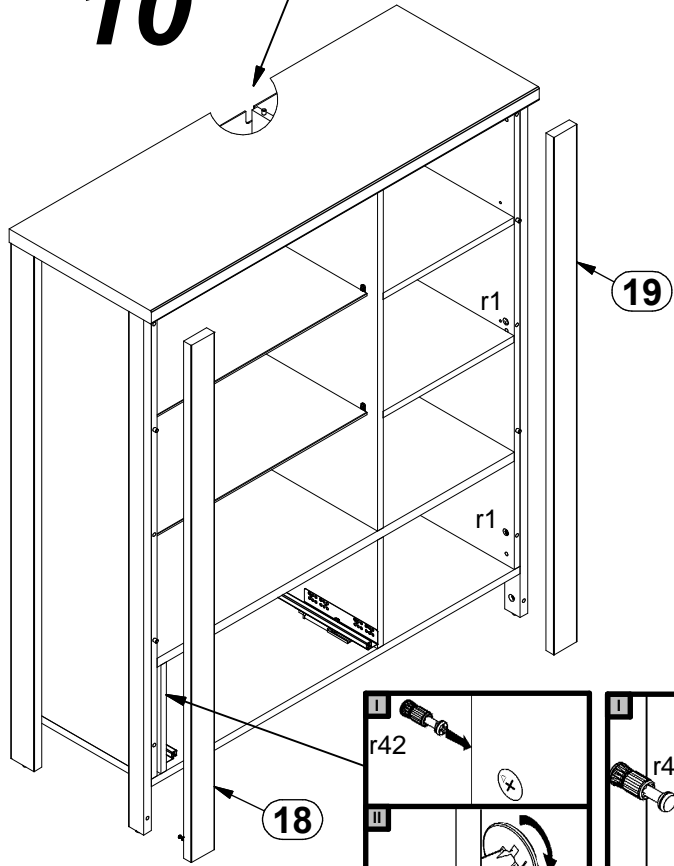


9

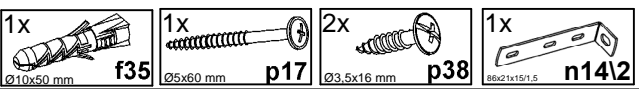
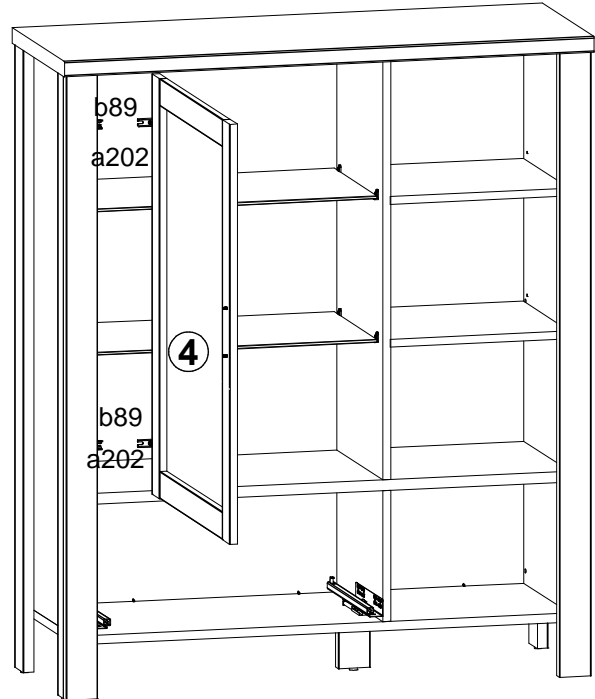
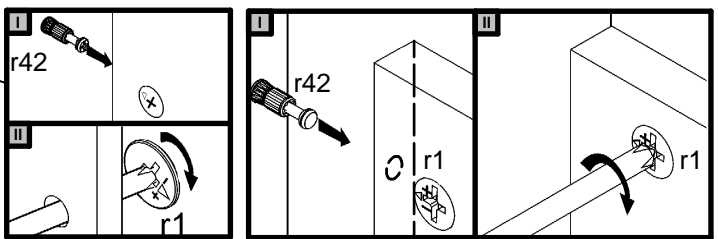
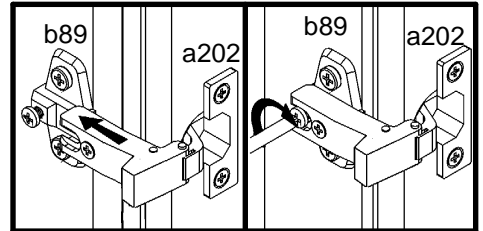




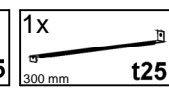
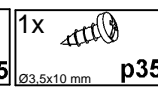
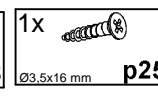
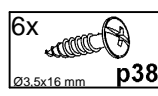
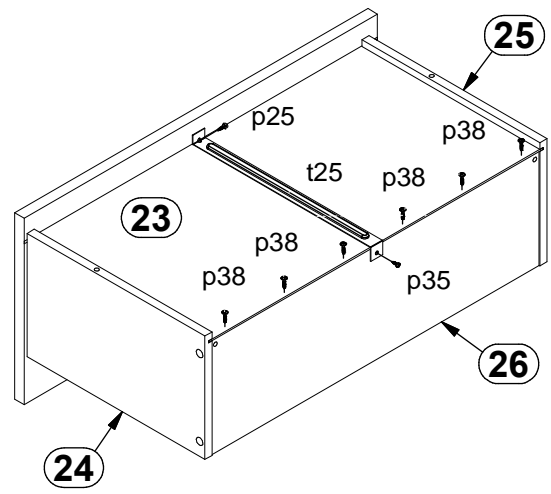
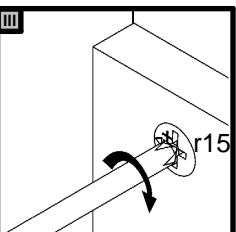
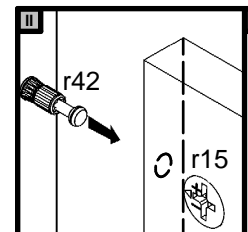
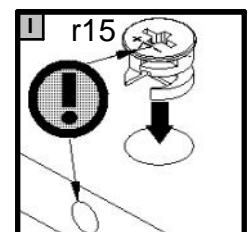
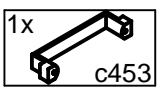
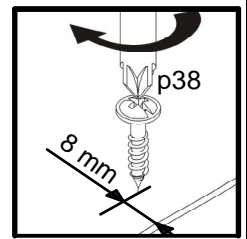
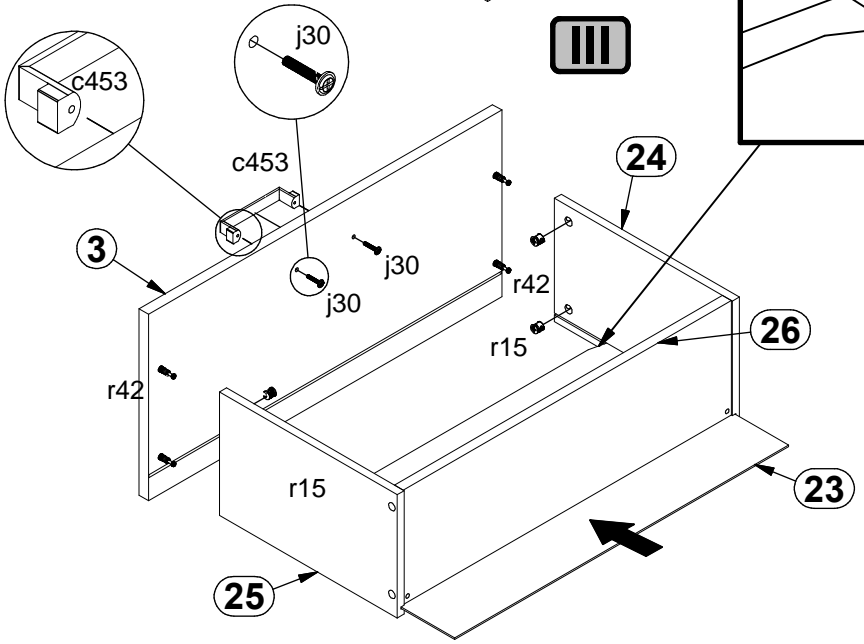
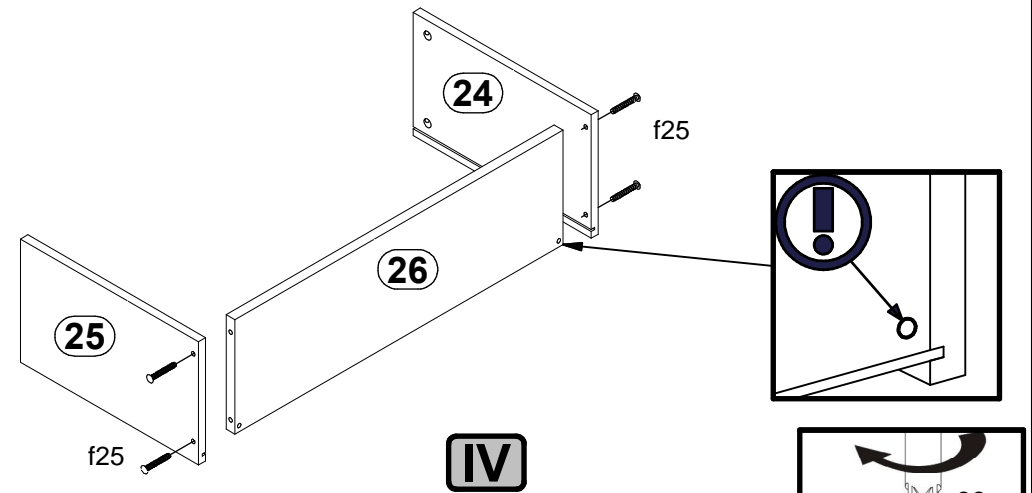
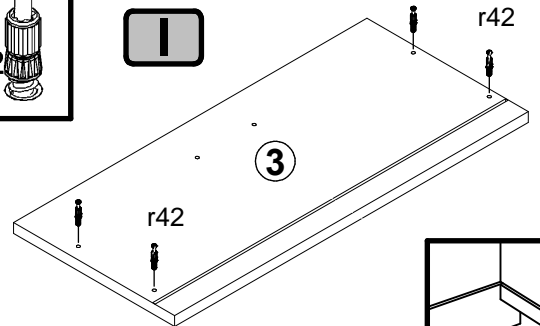
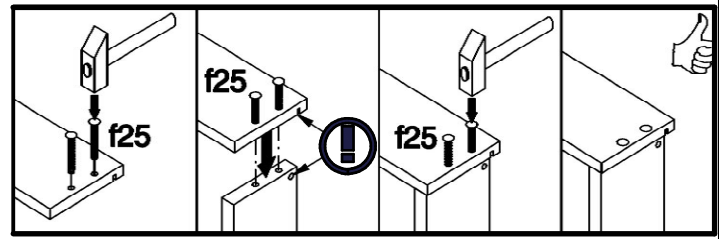
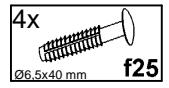
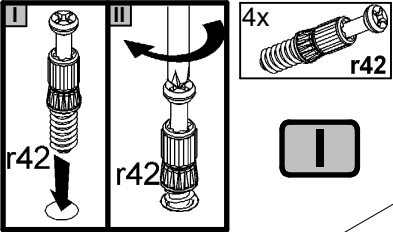
10

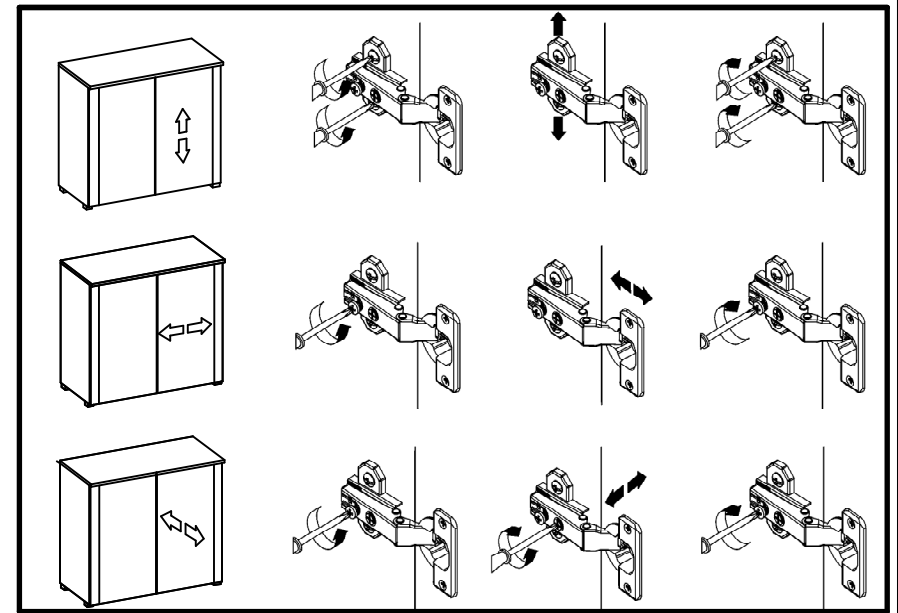
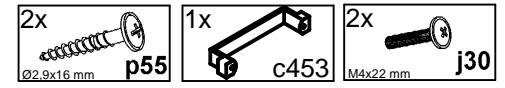
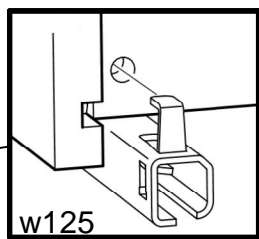
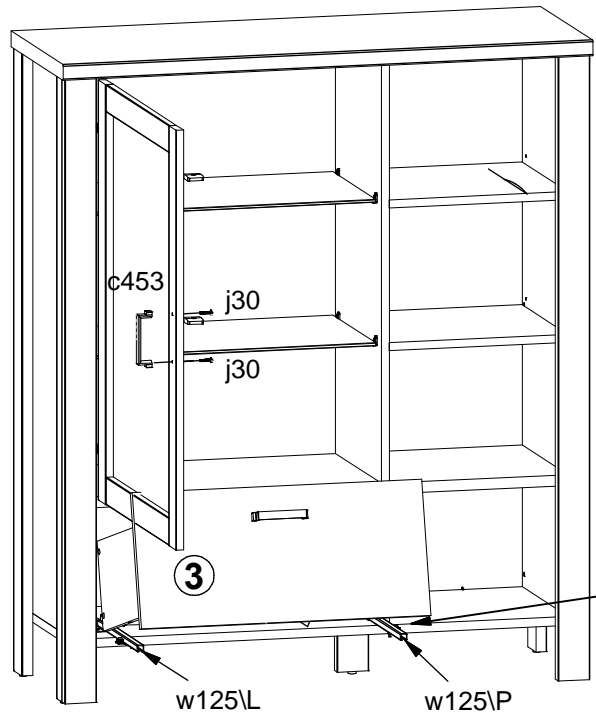
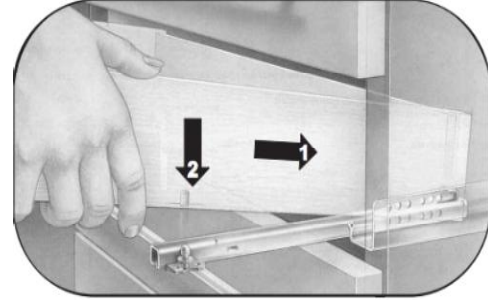
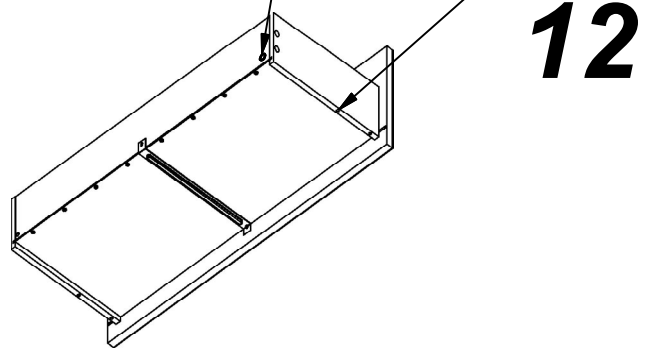
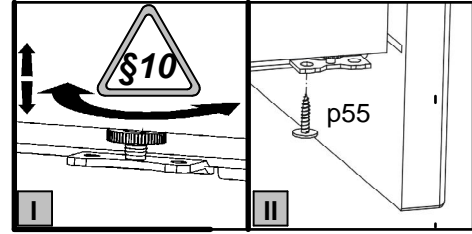
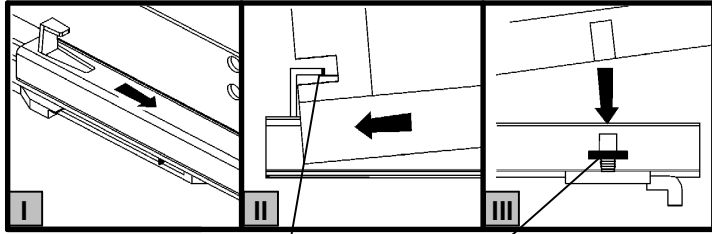


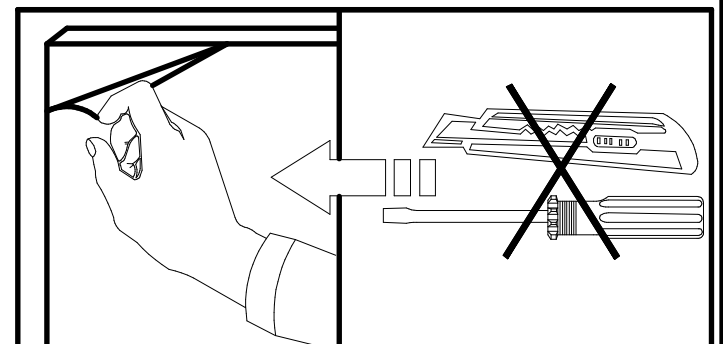
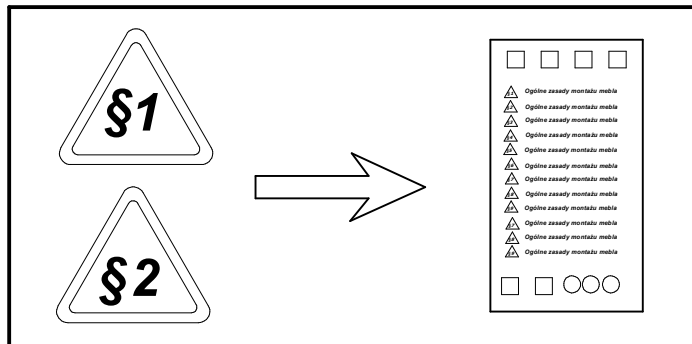
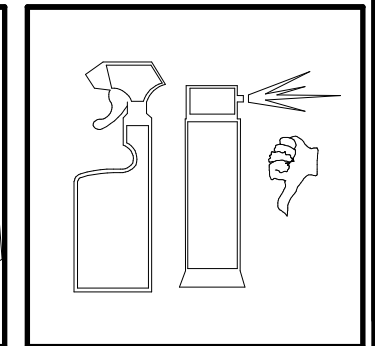
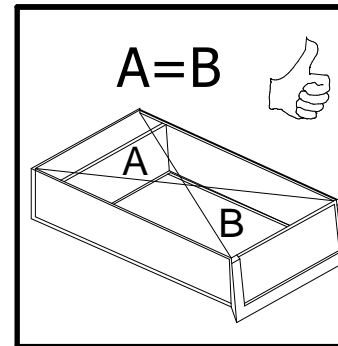
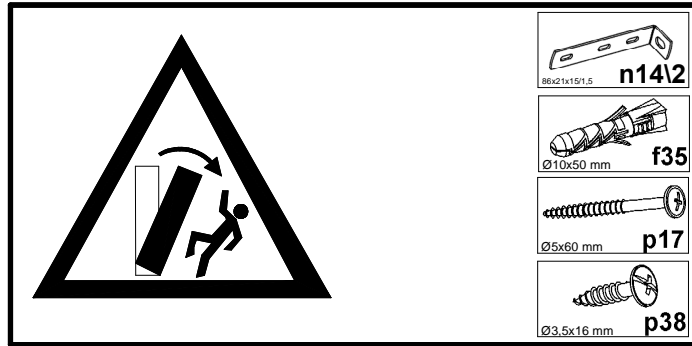
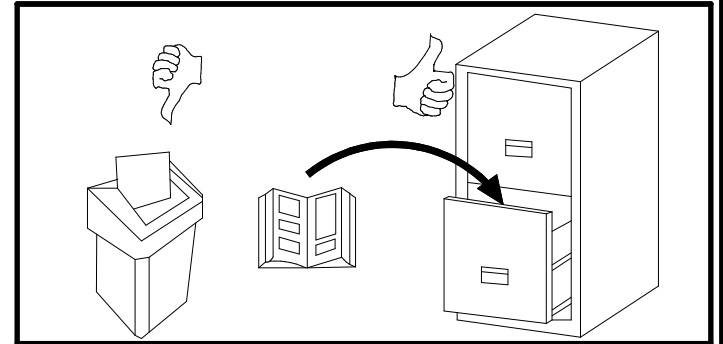
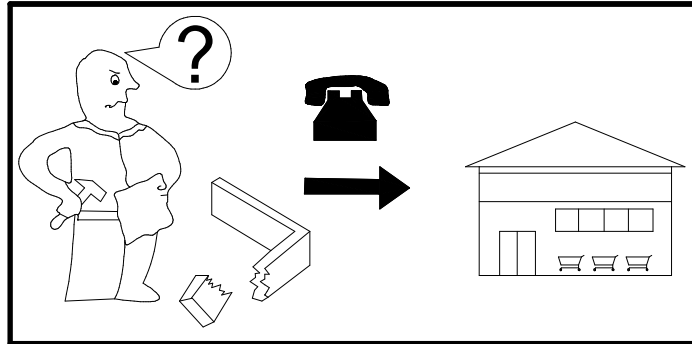
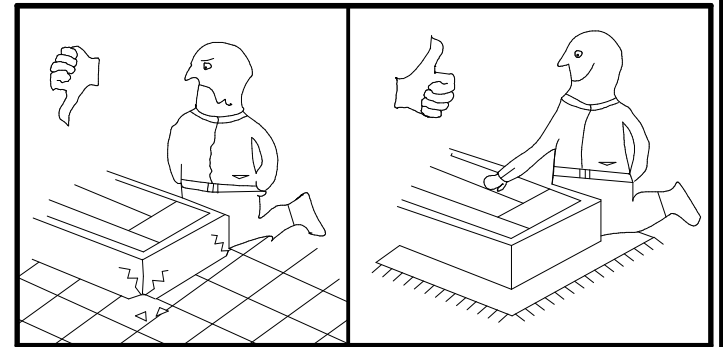
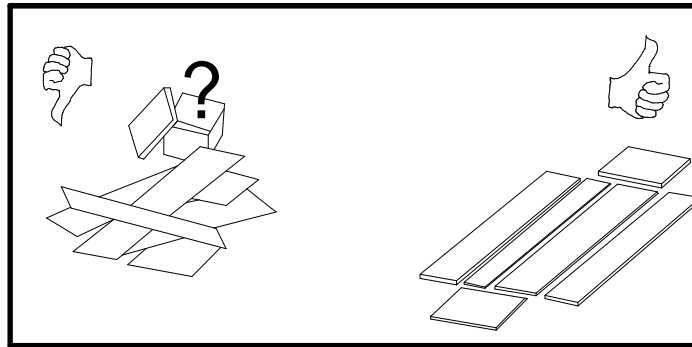
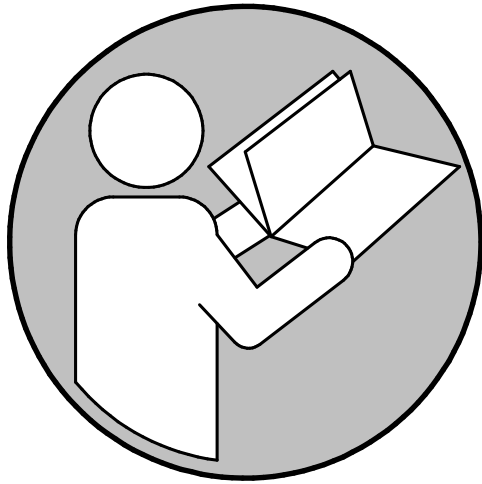
11



11

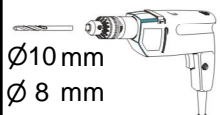
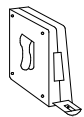
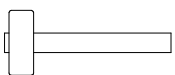
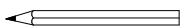
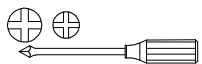
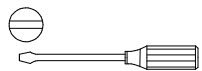
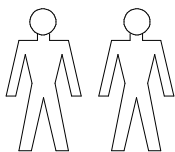




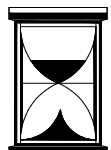


A**S510-P/2/13****10G3--40**

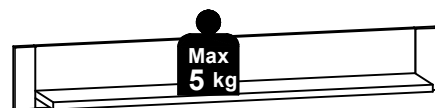
2 / 6



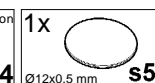
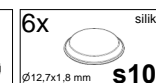
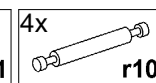
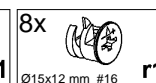
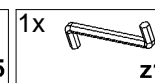
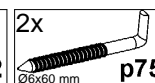
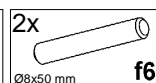
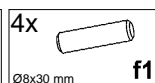
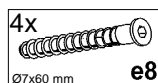
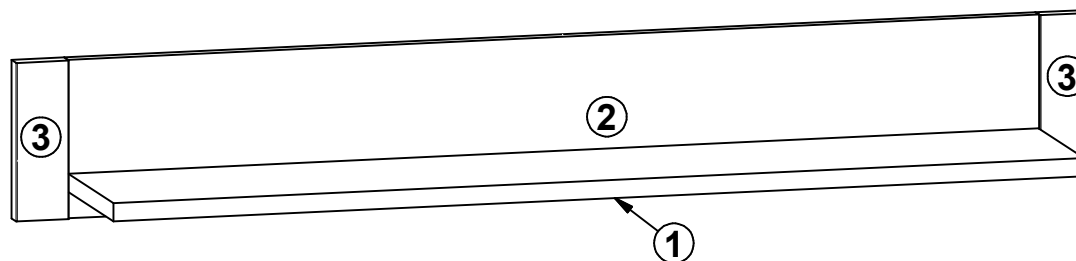
∅10 mm
∅ 8 mm



30min



A	B	C1	C2	C3	D
1	S510-3051	1199	210	22	1/1
2	S510-4301	1200	192,	16	1/1
3	S510-5051	192,	65	22	1/1



A

S510-P/2/13

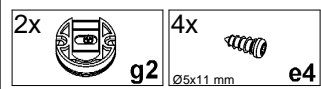
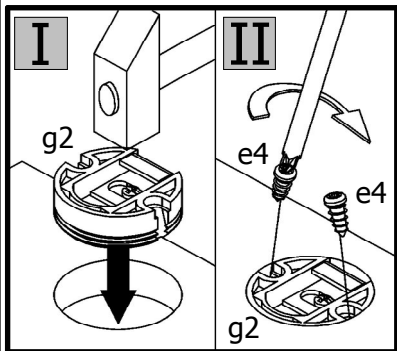
10G3--40

3 / 6

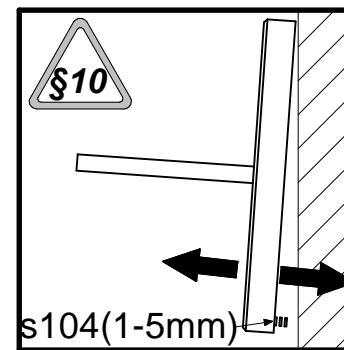
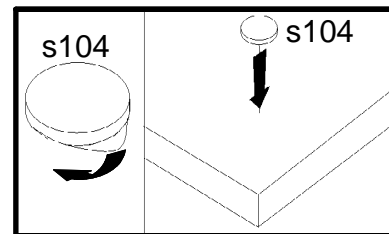
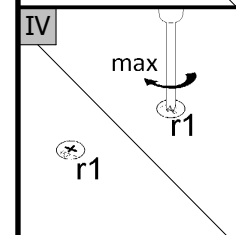
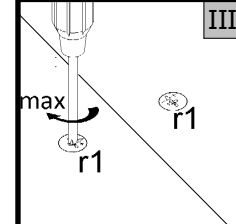
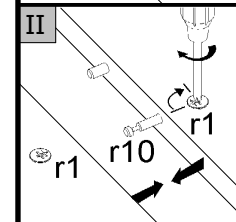
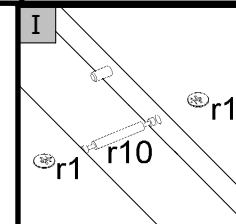
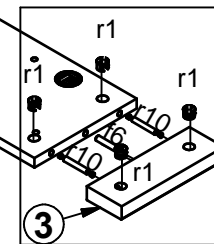
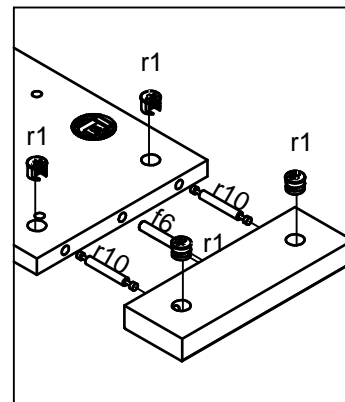
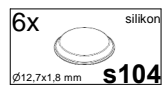
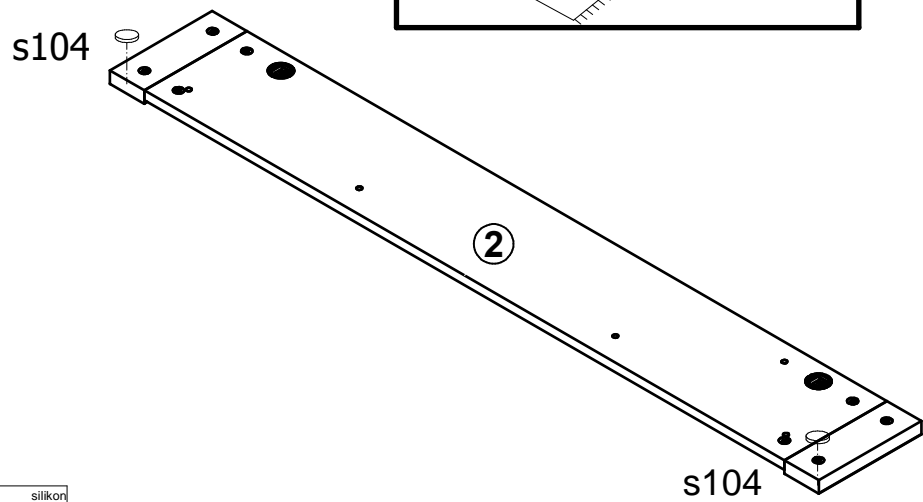
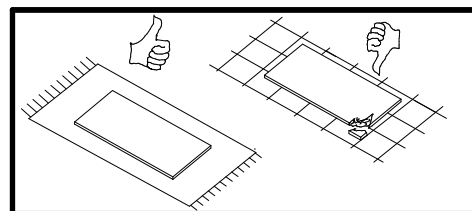


1

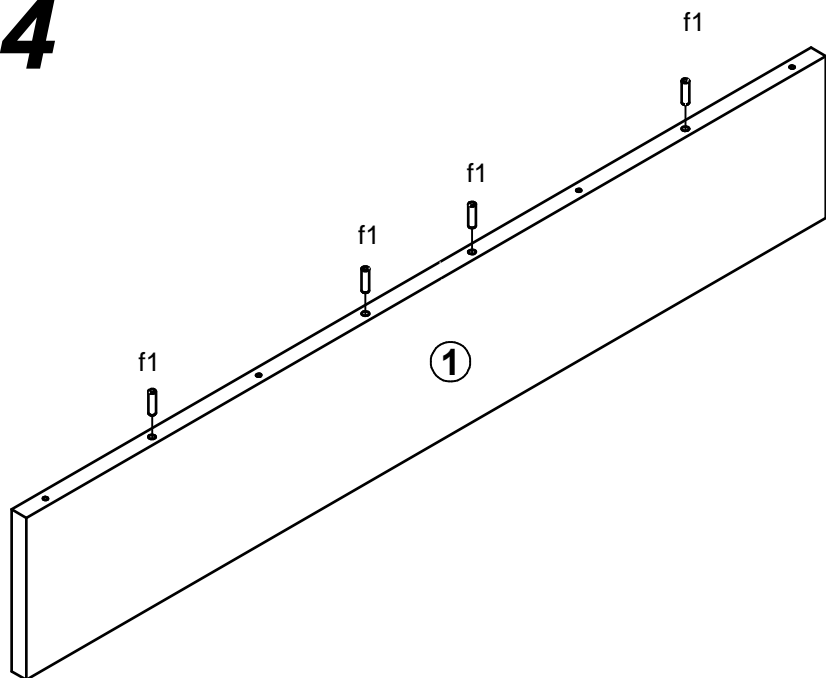
2



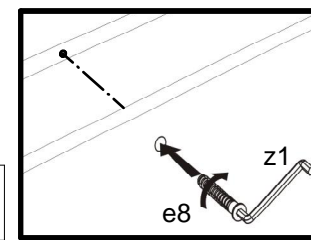
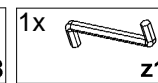
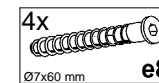
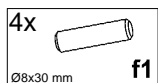
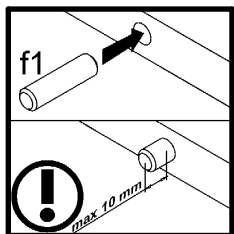
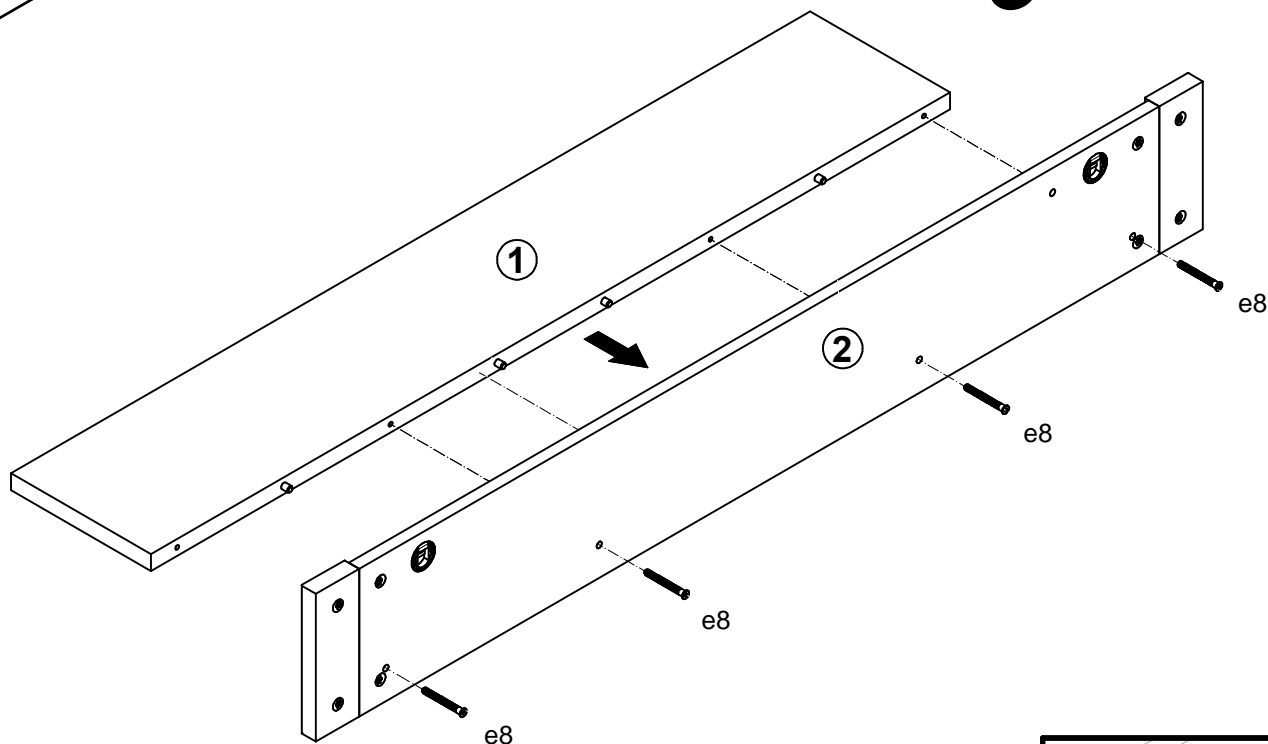
3

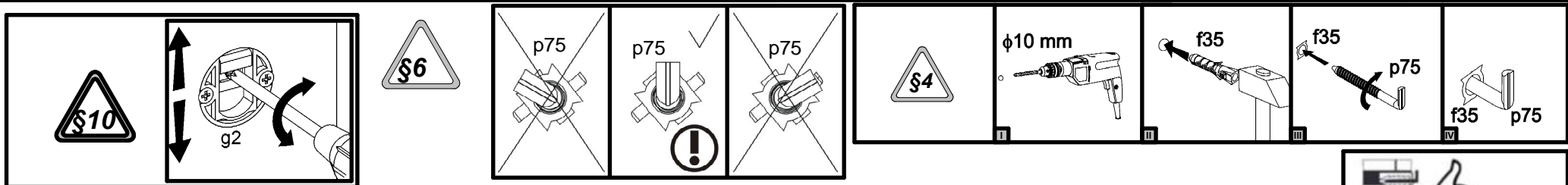


4

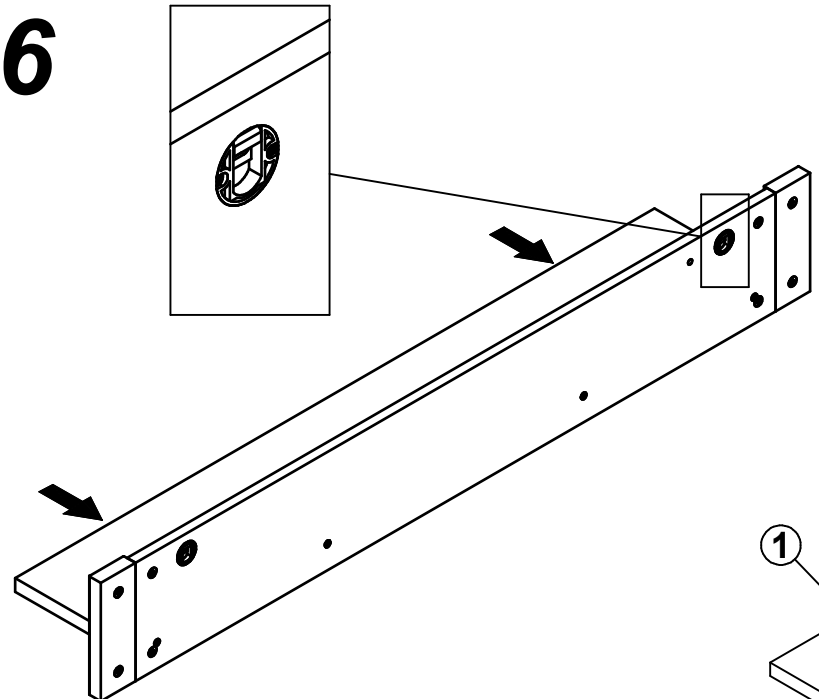


5

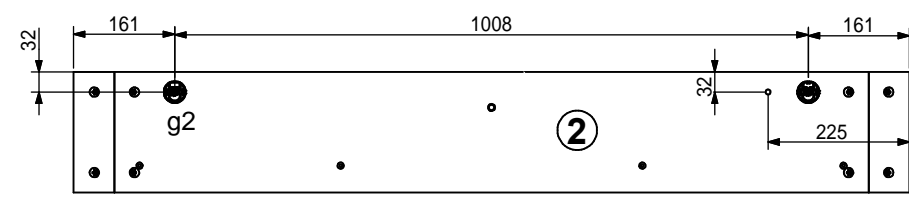
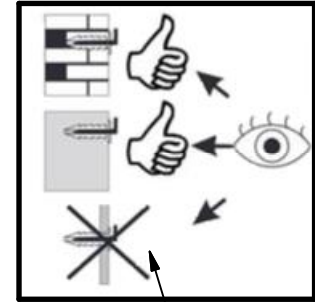
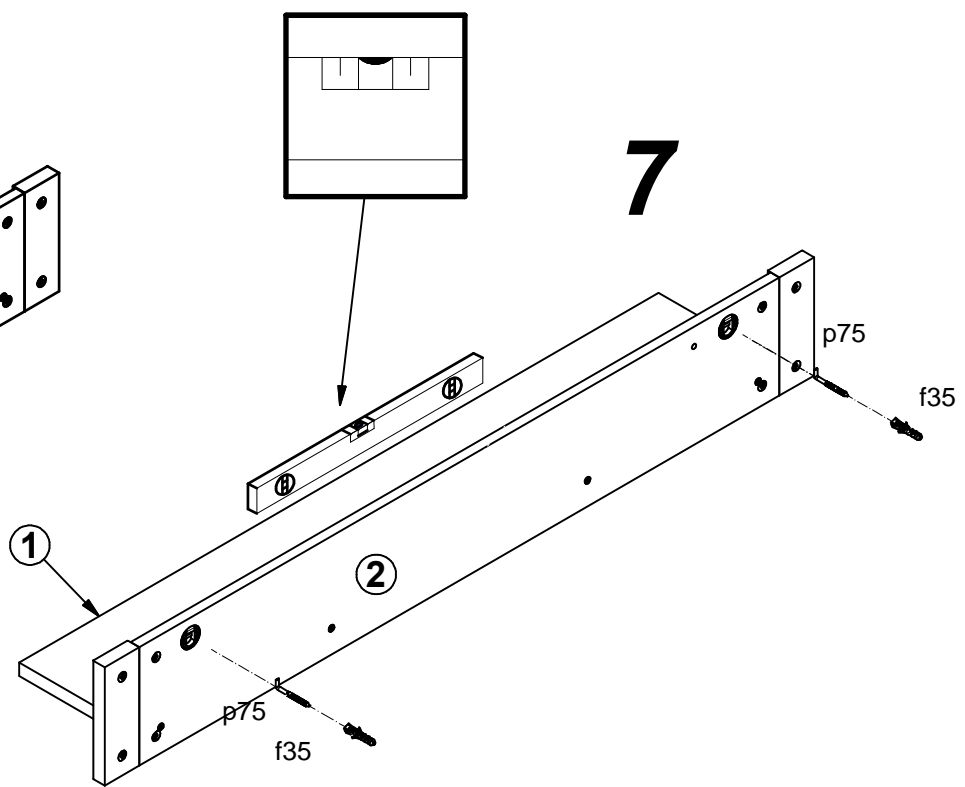




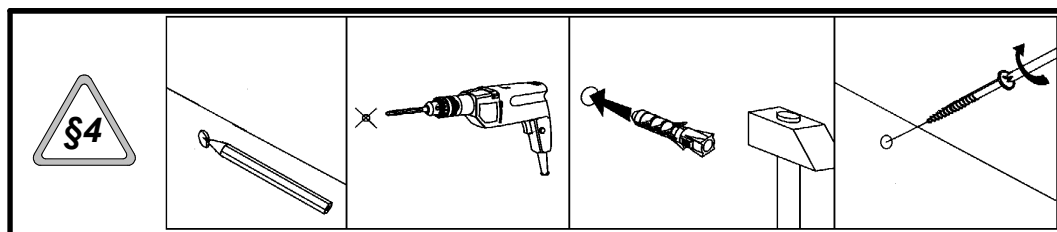
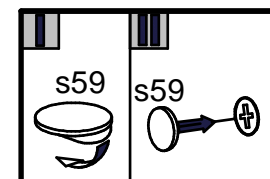
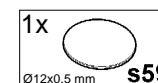
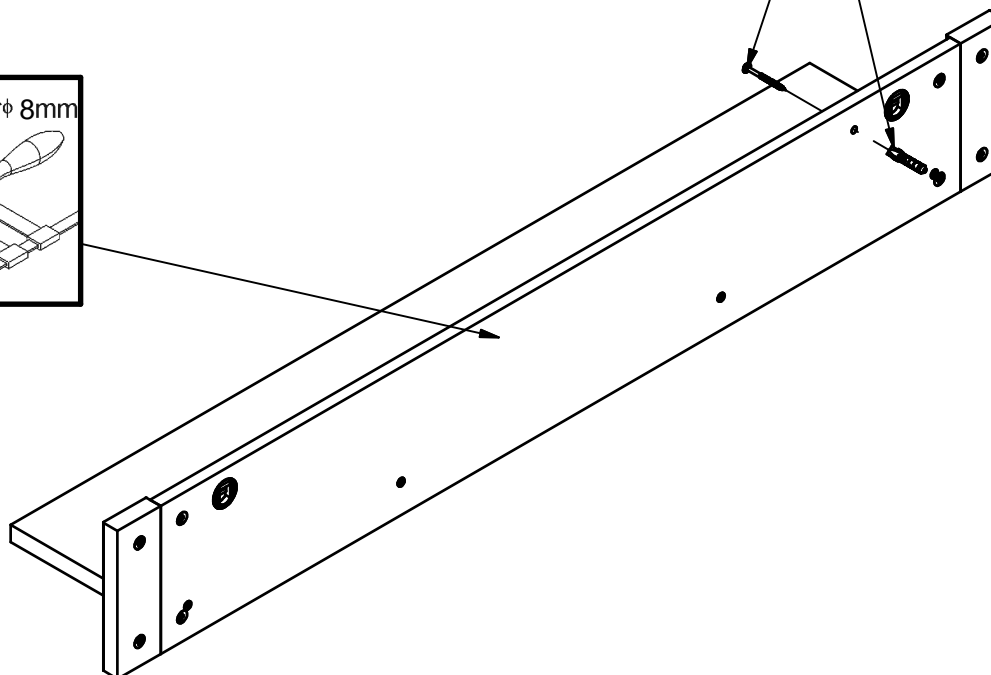
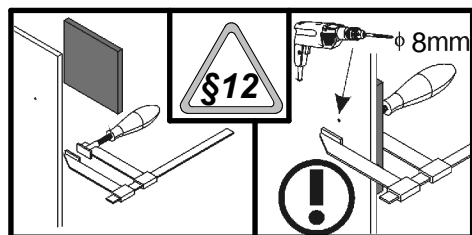
6

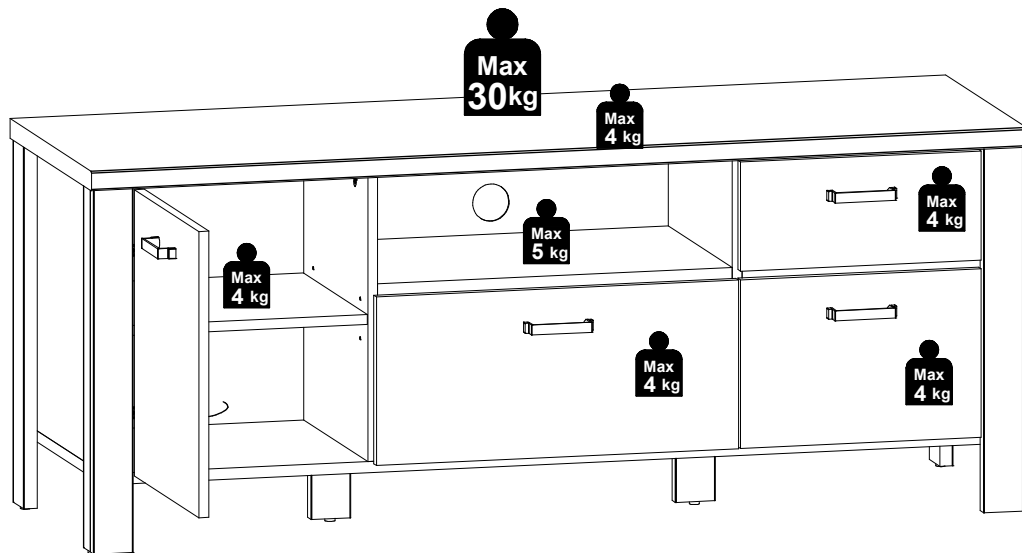
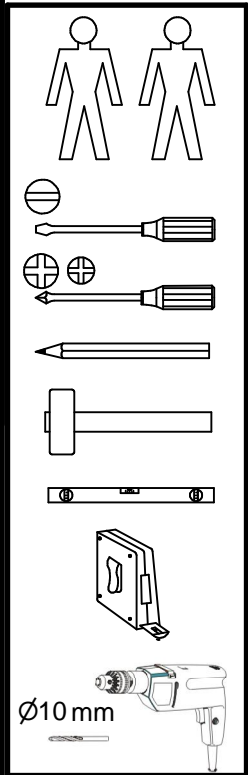
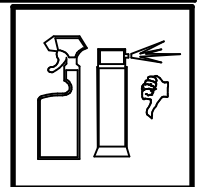
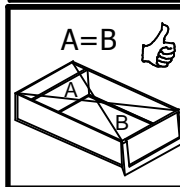
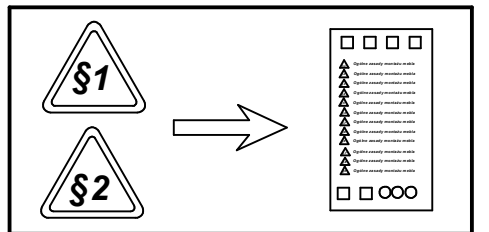
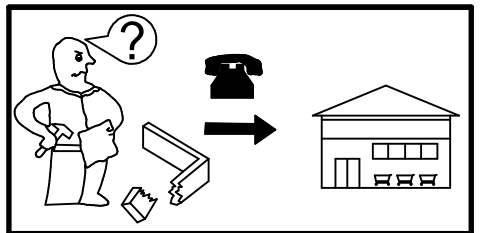
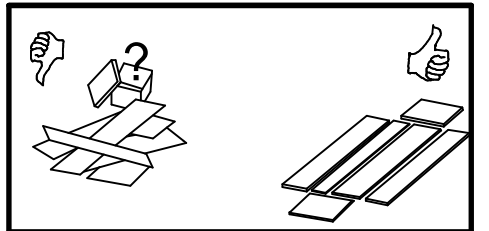
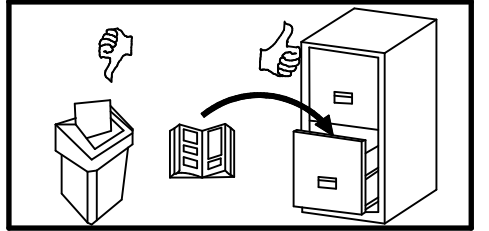
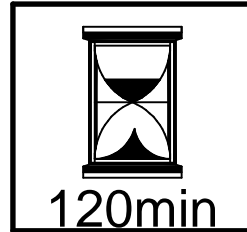
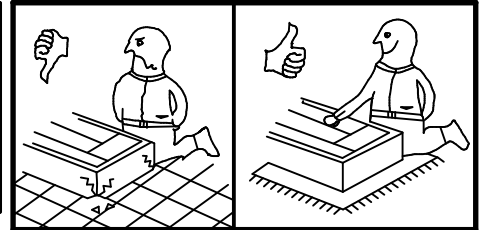
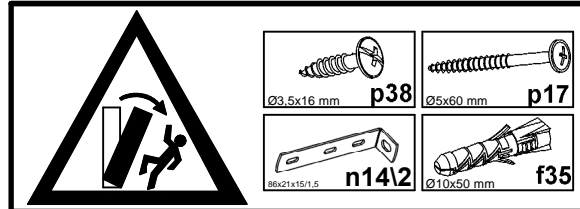
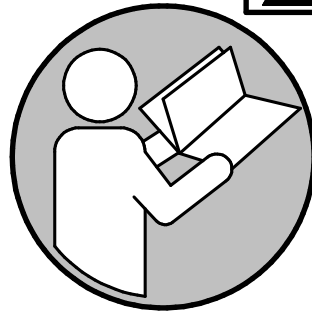
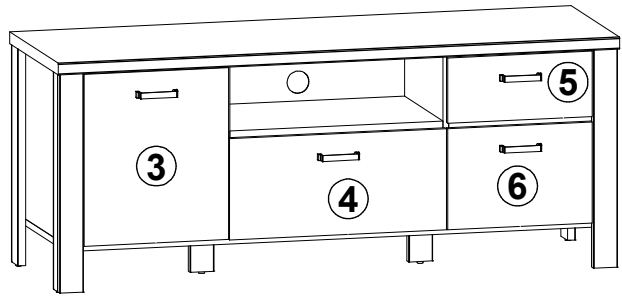


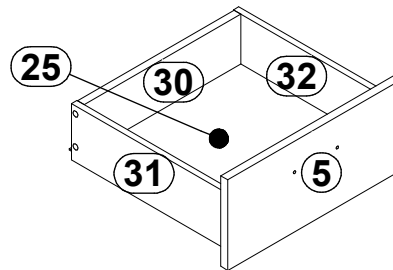
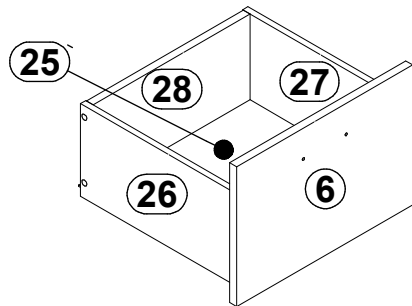
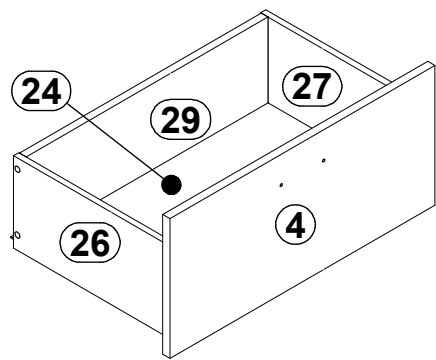
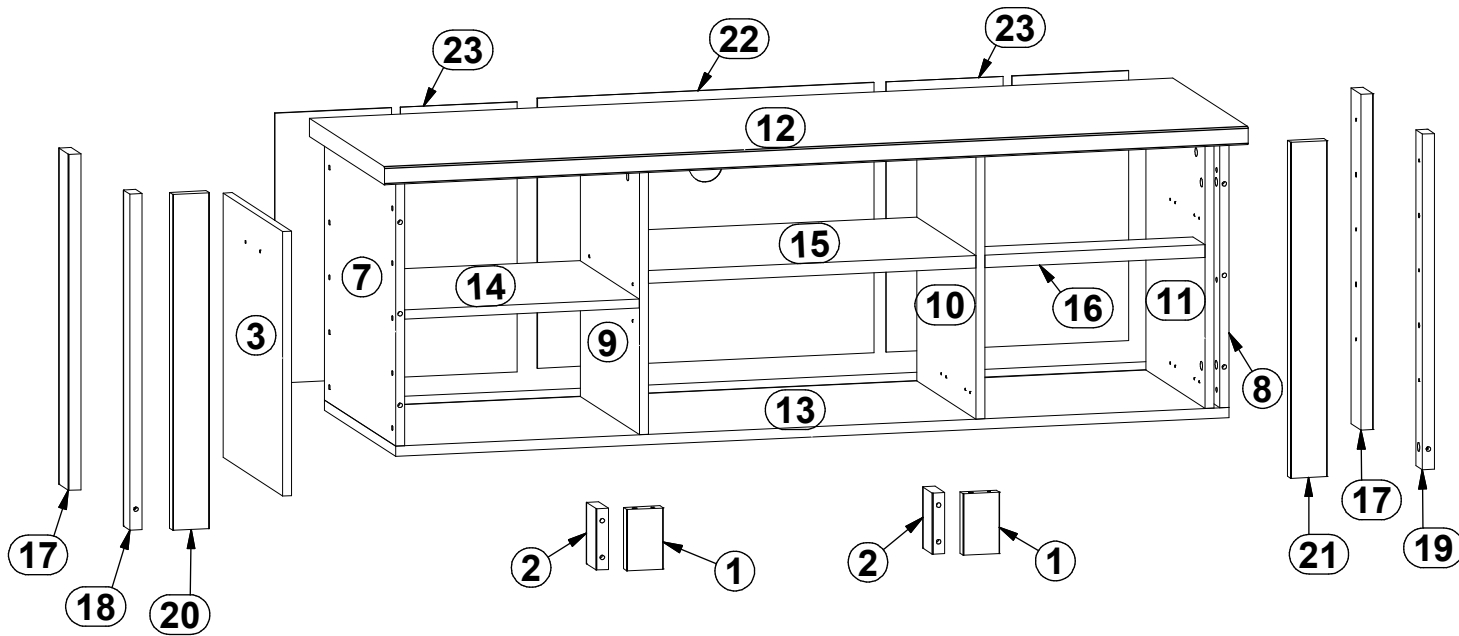
7



8

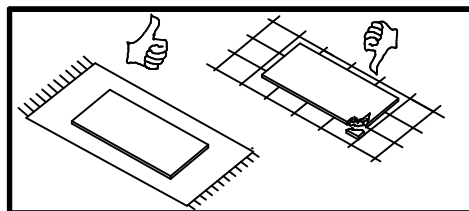
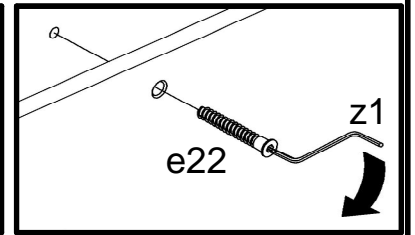
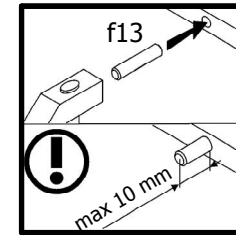
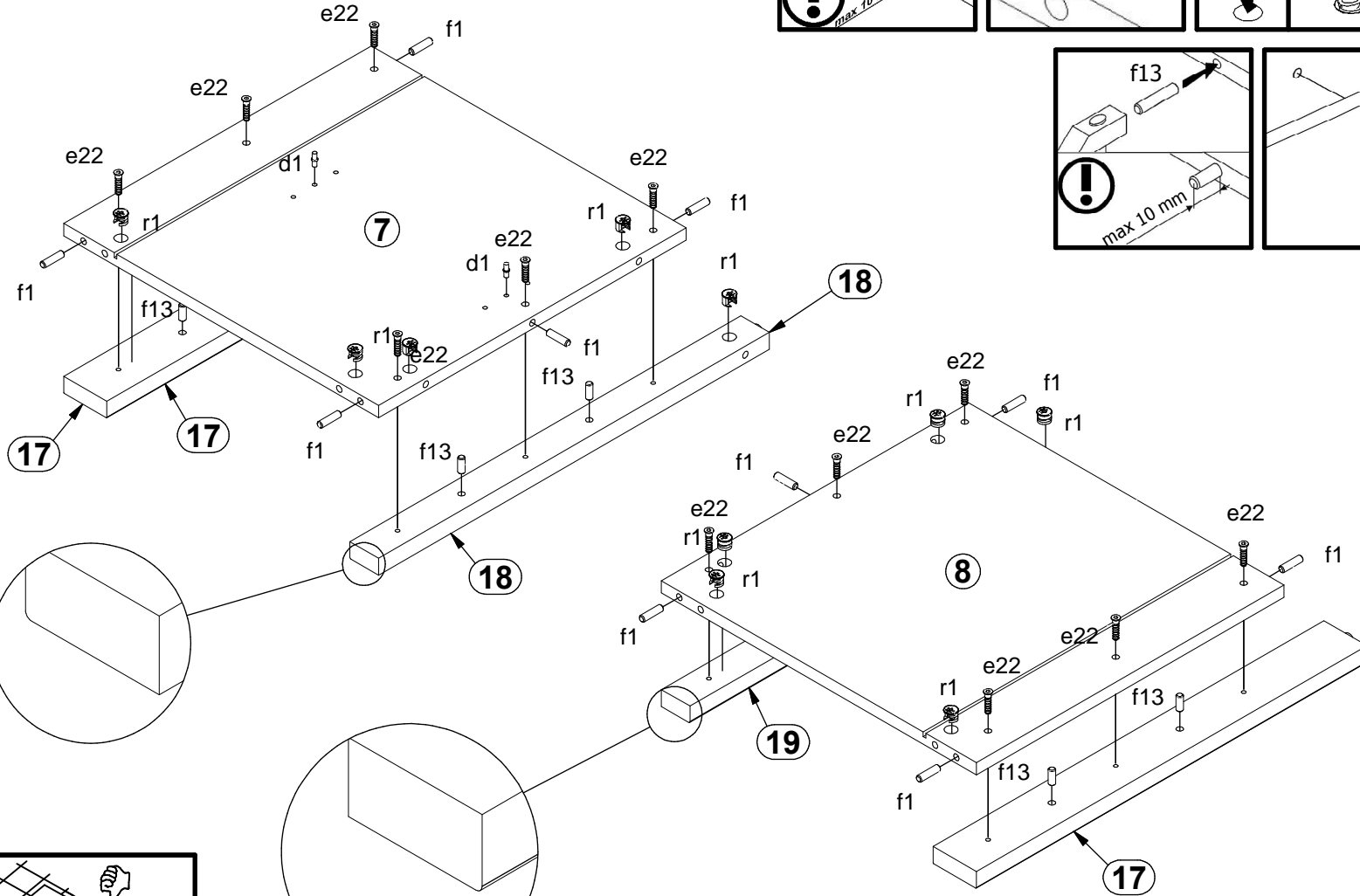
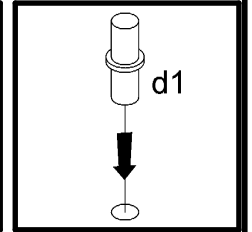
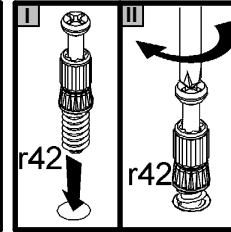
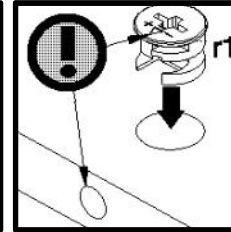
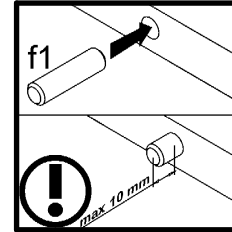
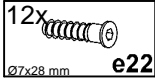
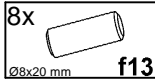
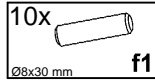
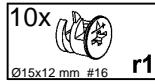
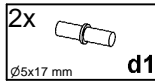


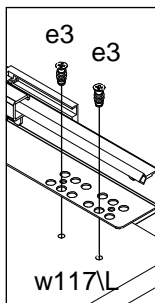




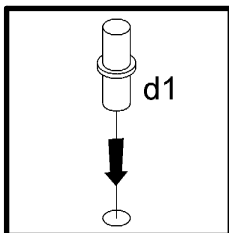
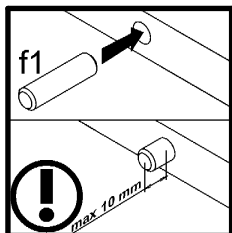
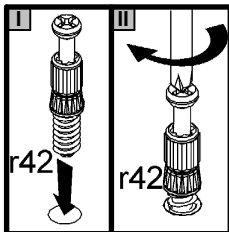
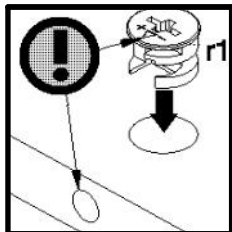
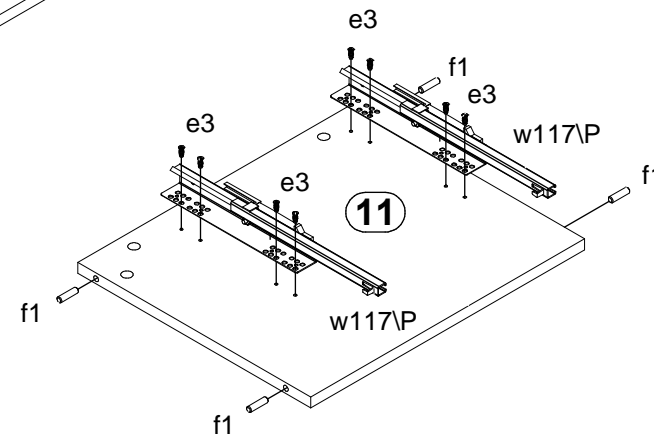
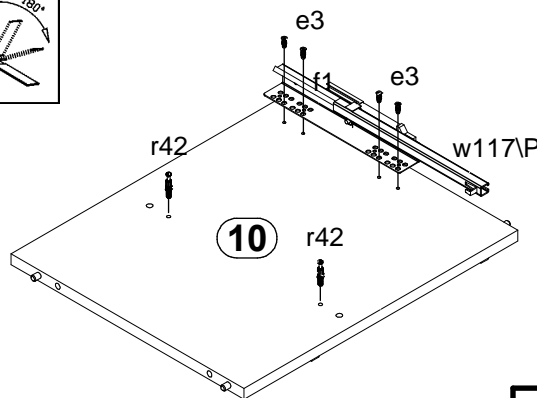
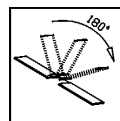
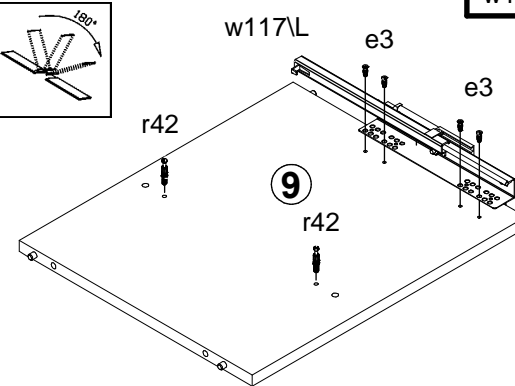
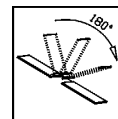
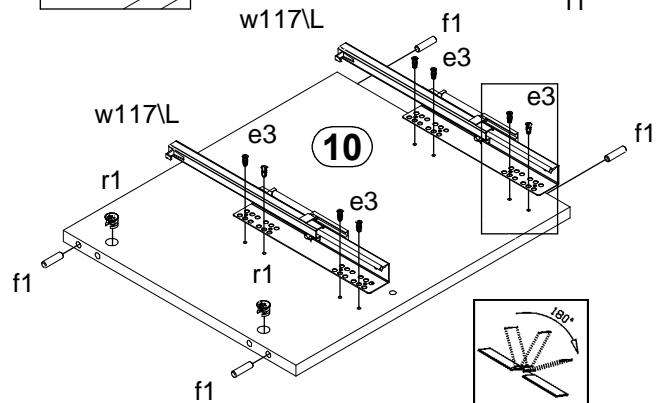
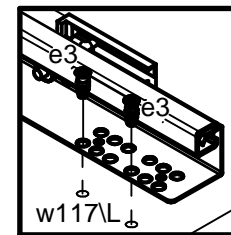
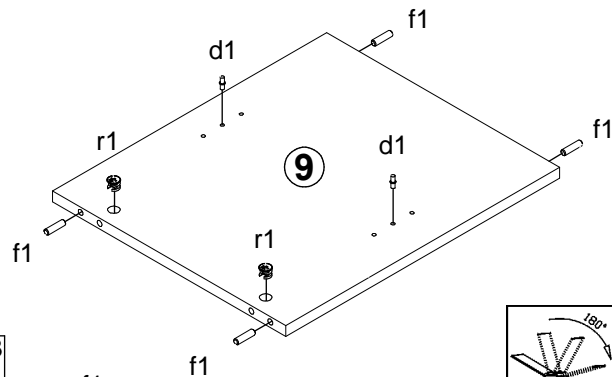
A	B	C1	C2	C3	D
1	M249-5015	107	65	22	3/3
2	M249-5025	107	65	22	3/3
3	S510-0053	462	396	16	3/3
4	S510-0054	596	272	16	3/3
5	S510-0055	396	176	16	3/3
6	S510-0056	396	272	16	3/3
7	S510-1055	462	473	16	1/3
8	S510-1056	462,	473	16	1/3
9	S510-1057	462	393	16	1/3
10	S510-1058	462	393	16	1/3
11	S510-1059	462,	393	16	1/3
12	S510-2053	1540	500	32	2/3
13	S510-2054	1486,	473	18	2/3
14	S510-3053	418	393	16	3/3
15	S510-3054	584	393	22	3/3
16	S510-4052	392,5	80	22	1/3
17	S510-5057	587,	65	22	3/3
18	S510-5058	587,	43	22	3/3
19	S510-5059	587,	43	22	3/3
20	S510-5060	587,	65	22	3/3
21	S510-5061	587,	65	22	3/3
22	S510-9008	600	472	2,5	1/3
23	S510-9009	472	432	2,5	1/3
24	WSP-9148	554	358	2,5	3/3
25	WSP-9317	362	358	2,5	3/3
26	ZQ6-503	350	180	12	1/3
27	ZQ6-504	350	180	12	1/3
28	ZQ6-5106	353	167	15	3/3
29	ZQ6-5109	544	167	15	3/3
30	ZQ6-5110	352	97	15	3/3
31	ZQ6-519	350	110	12	1/3
32	ZQ6-520	350	110	12	1/3

2x a202	2x b89	4x c453	4x d1 Ø5x17 mm	10x e1 Ø7x50 mm	6x n108 20x13x3,5	12x p55 Ø2,9x16 mm	8x j30 M4x22 mm	6x k1	10x l2	24x e3 Ø6x13 mm	12x e22 Ø7x28 mm	34x f1 Ø8x30 mm
8x f13 Ø8x20 mm	12x f25 Ø6,5x40 mm	1x p25 Ø3,5x16 mm	1x p35 Ø3,5x10 mm	1x t35 350 mm	14x p38 Ø3,5x16 mm	4x p51 Ø3,5x15 mm	16x r1 Ø15x12 mm #16	12x r15 Ø12x10,5 mm #12	32x r42 20/11	3x W117/L 350 mm	3x W117/P 350 mm	1x z1
4x r3 Ø15x15 mm #22	4x s2 Ø16	1x s74 Ø60	2x f35 Ø10x50 mm	2x p17 Ø5x60 mm	4x p38 Ø3,5x16 mm	2x n142 86x21x15/1,5						



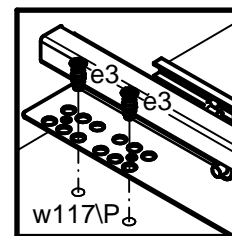


1

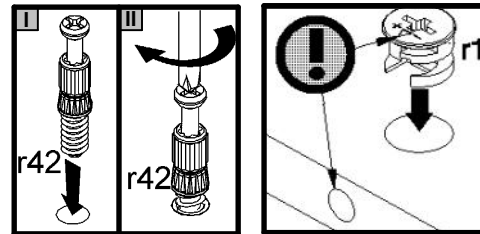
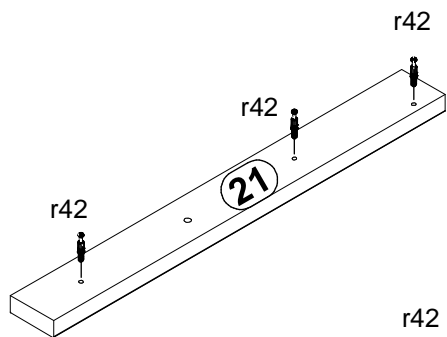


- 4x r1 $\varnothing 15 \times 12 \text{ mm} \# 16$
- 12x f1 $\varnothing 8 \times 30 \text{ mm}$
- 2x d1 $\varnothing 5 \times 17 \text{ mm}$

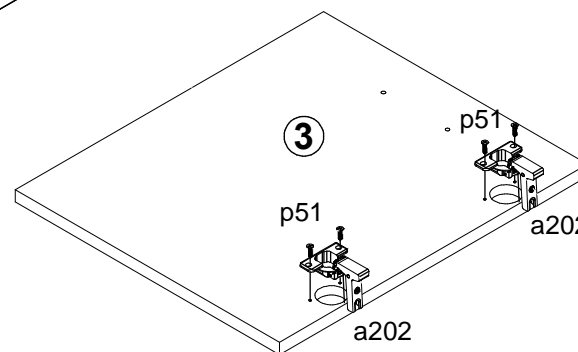
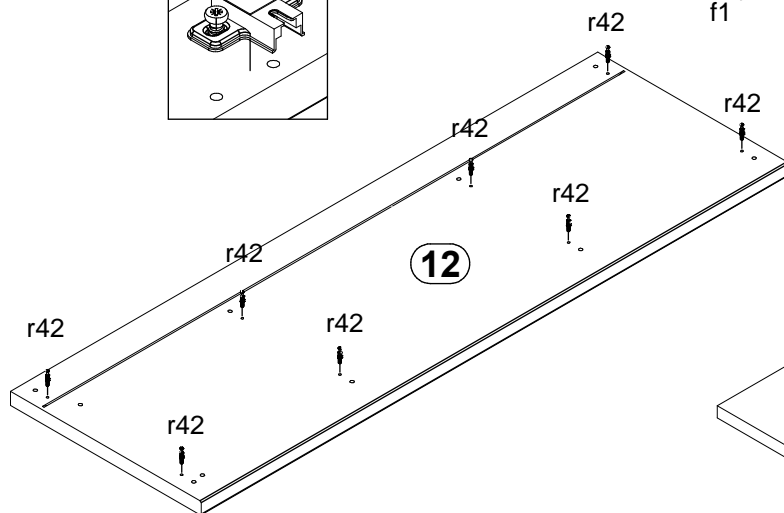
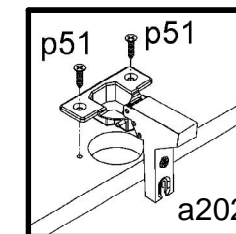
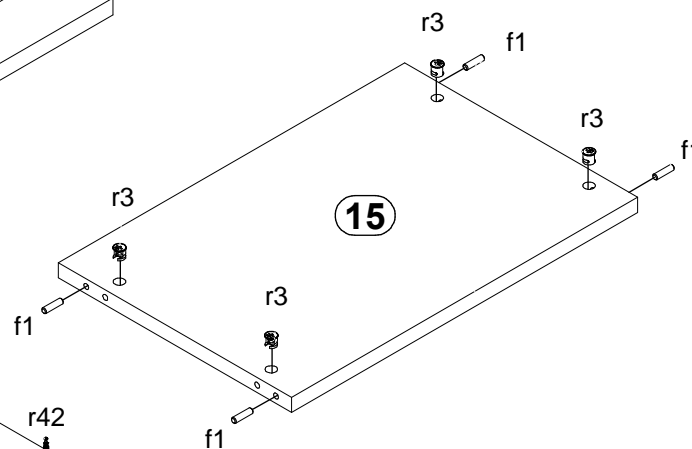
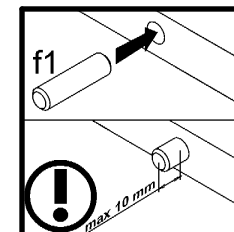
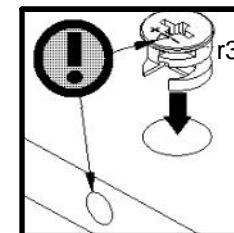
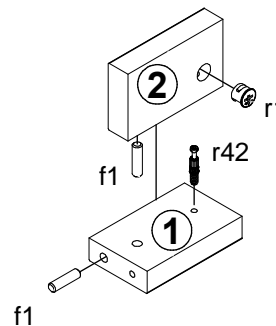
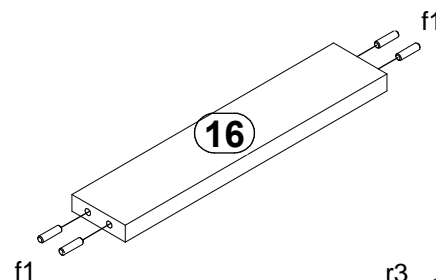
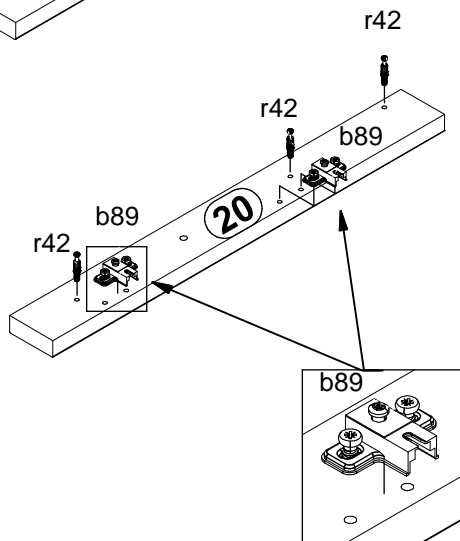
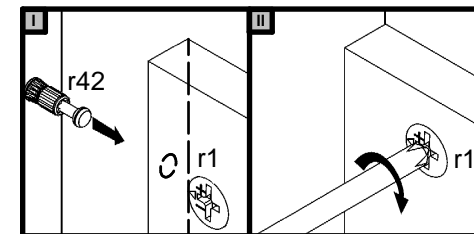
- 4x r42
- 3x 350 mm W117L
- 3x 350 mm W117P
- 24x e3 $\varnothing 6 \times 13 \text{ mm}$

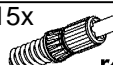



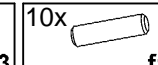



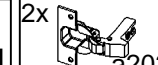
1

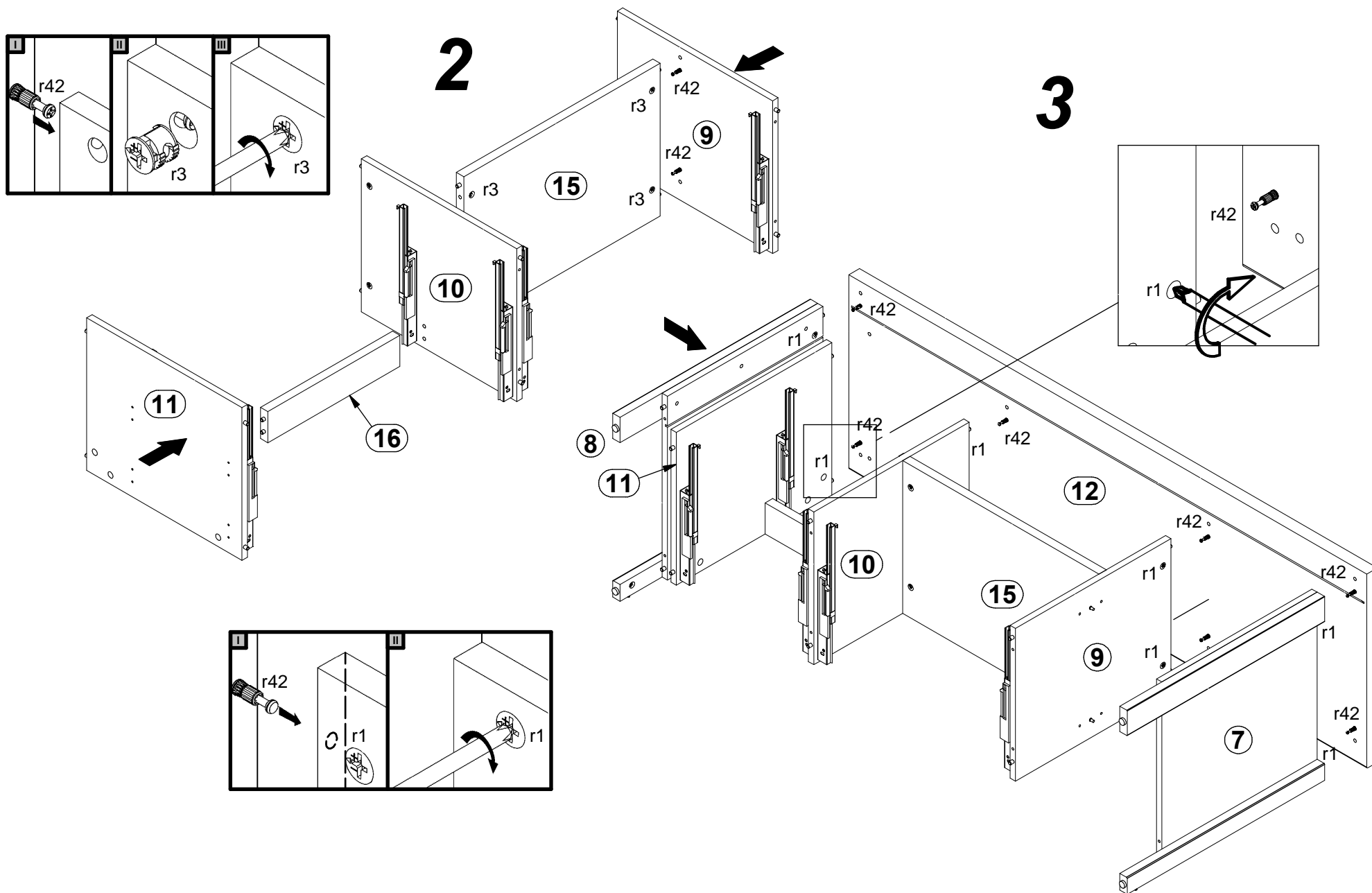


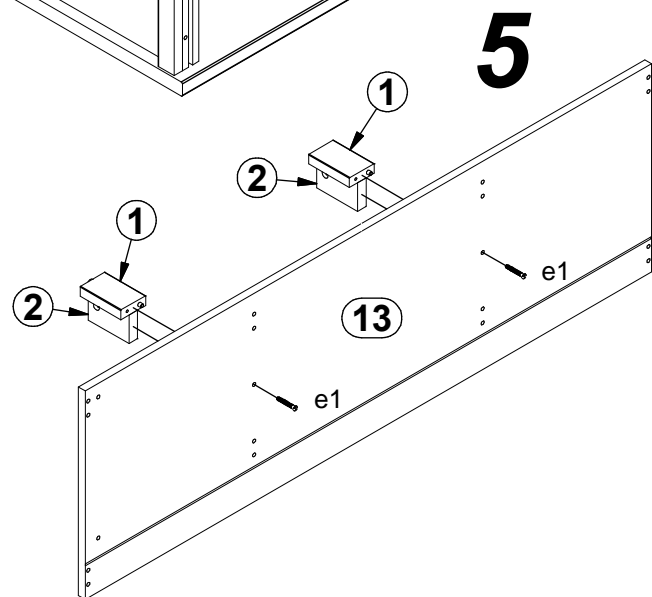
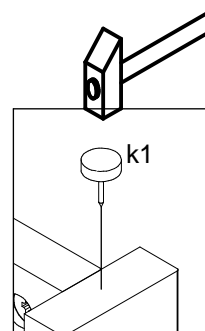
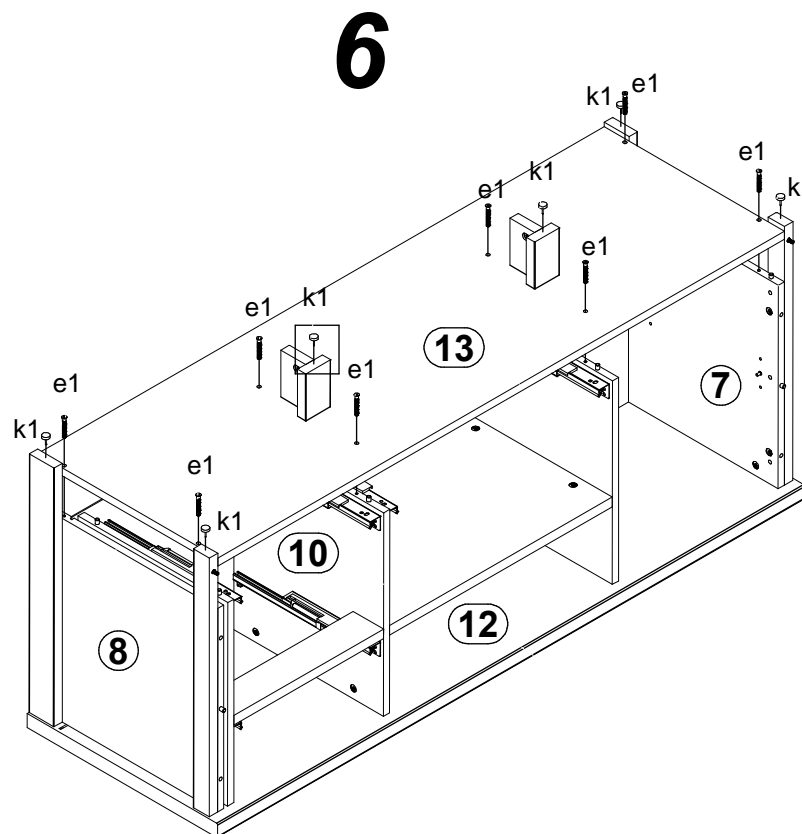
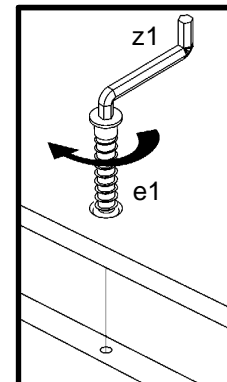
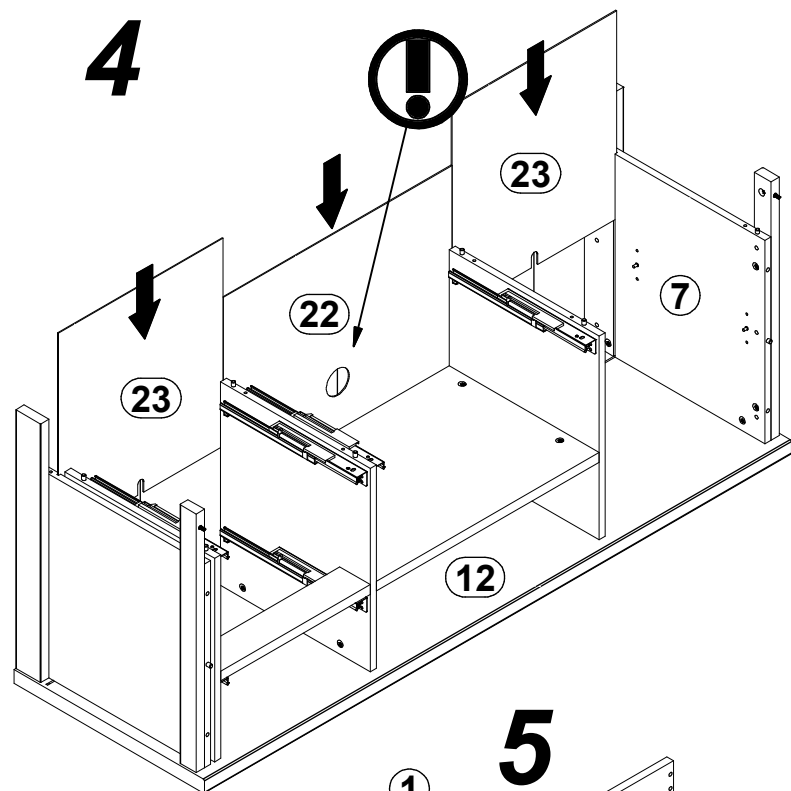
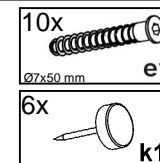
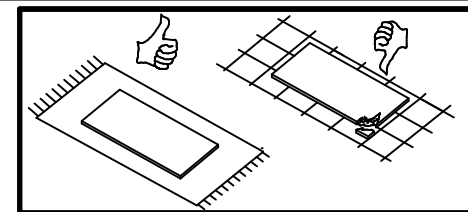
2x

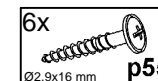
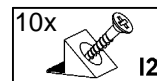
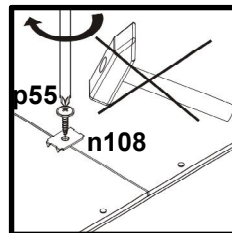
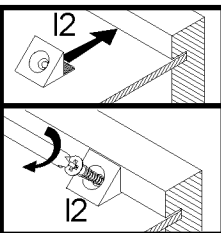
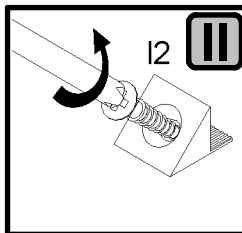
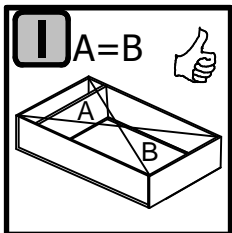


- 15x  r42
- 2x  b89
- 1x  r1
- 4x  r3
- 10x  f1

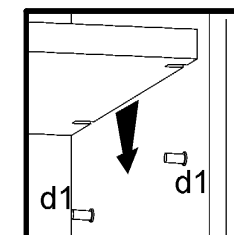
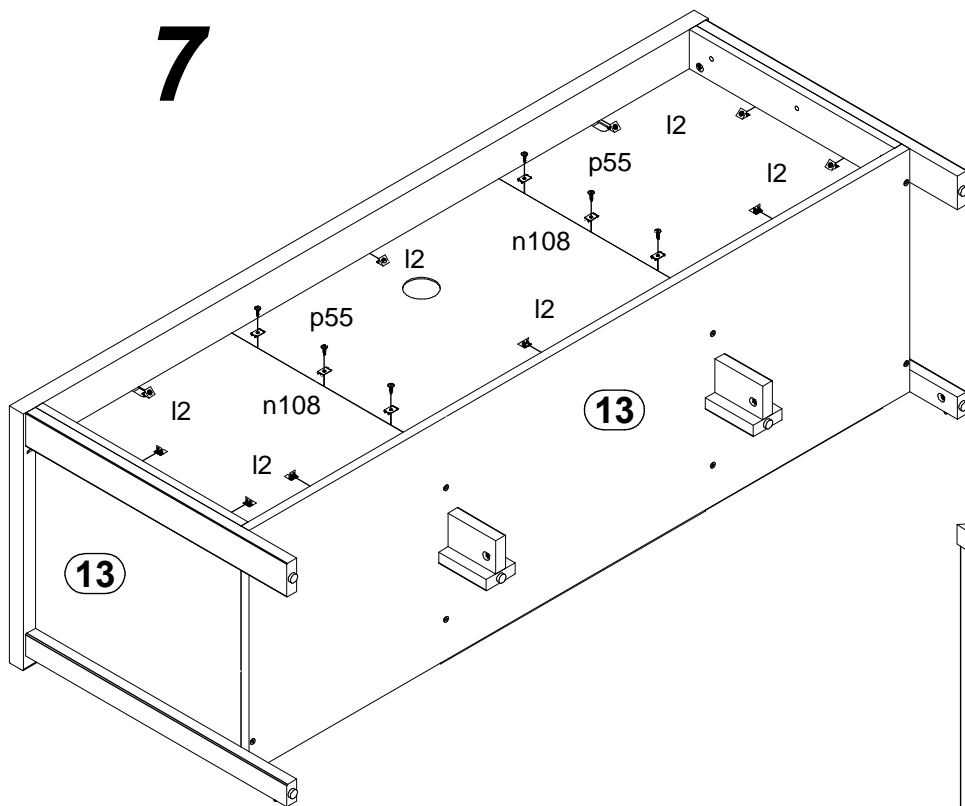
- 4x  p51
Ø3,5x15 mm
- 2x  a202
55°



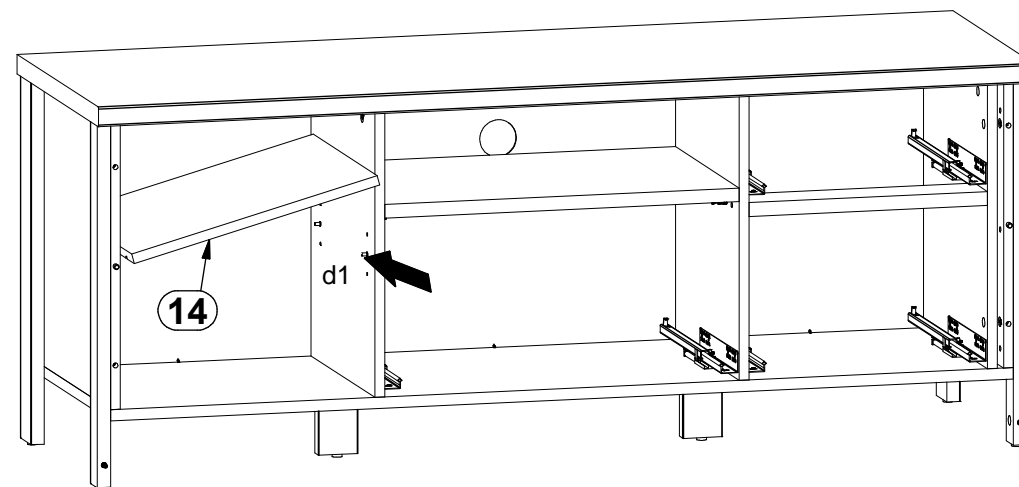


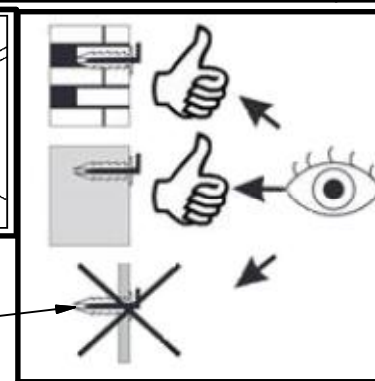
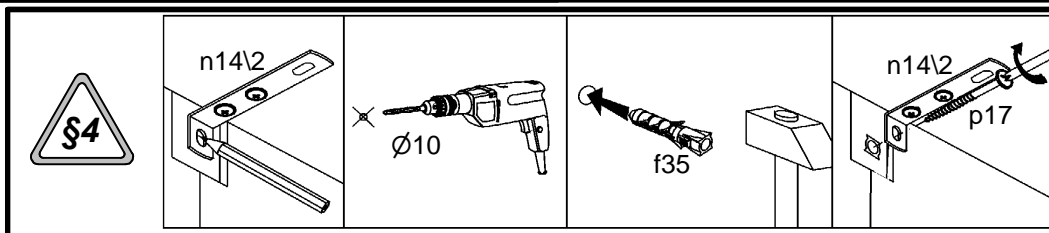
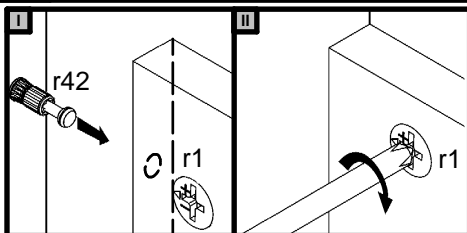


7

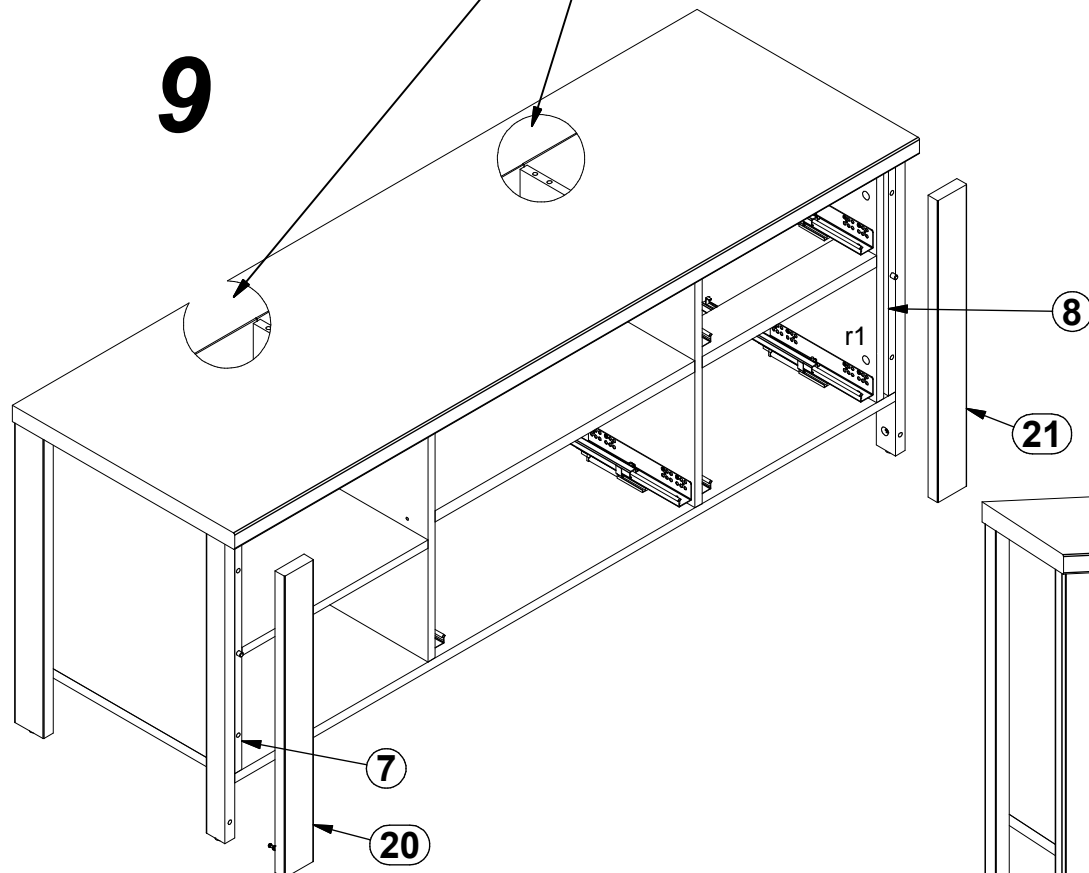


8

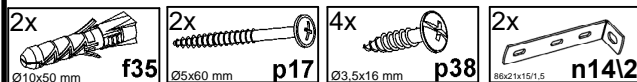
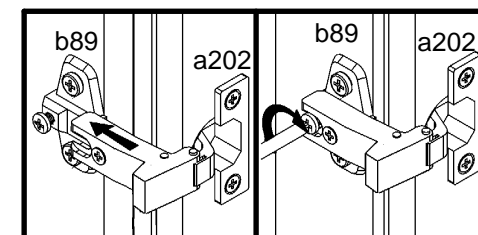




9

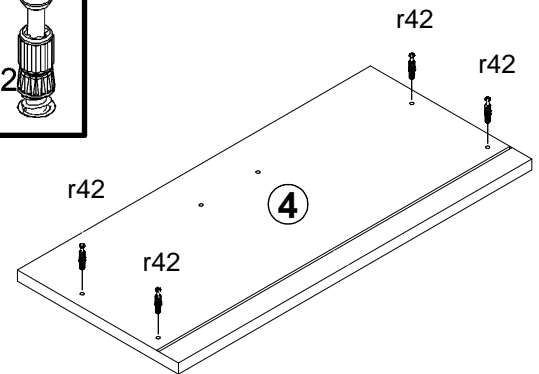
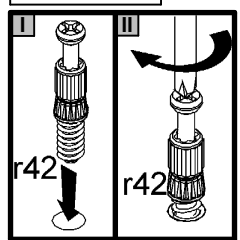
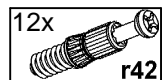
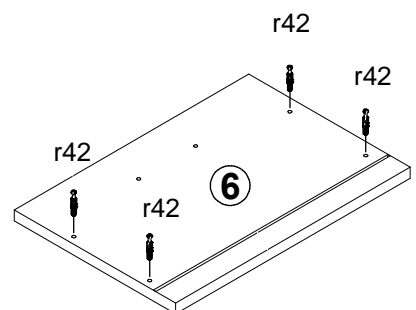
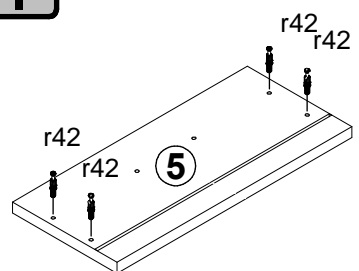


10

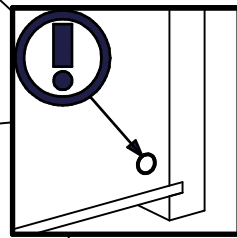
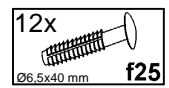
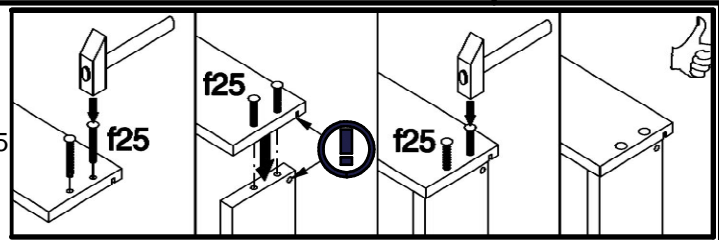
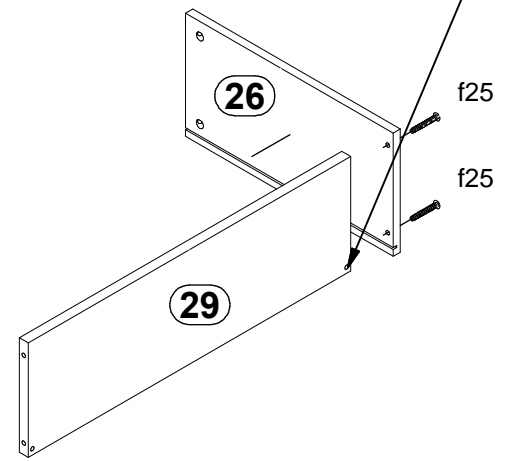
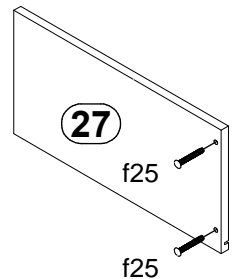
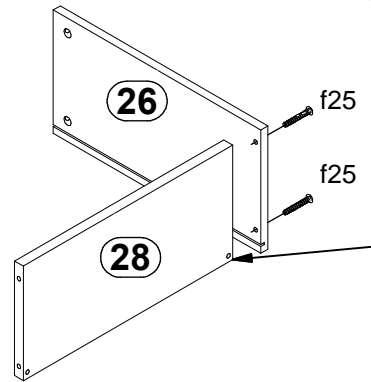
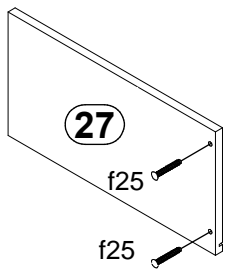
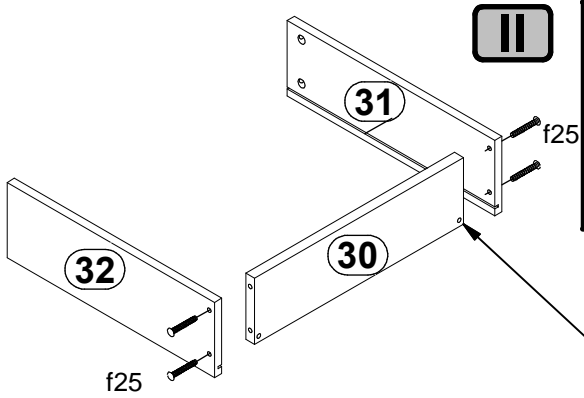


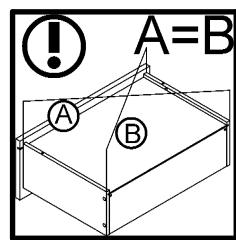
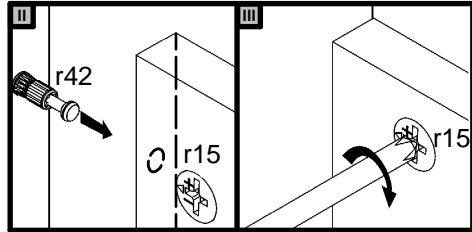
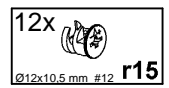
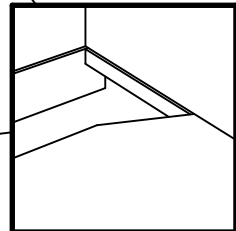
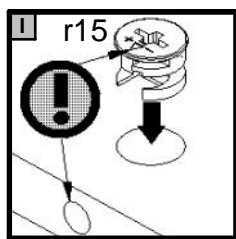
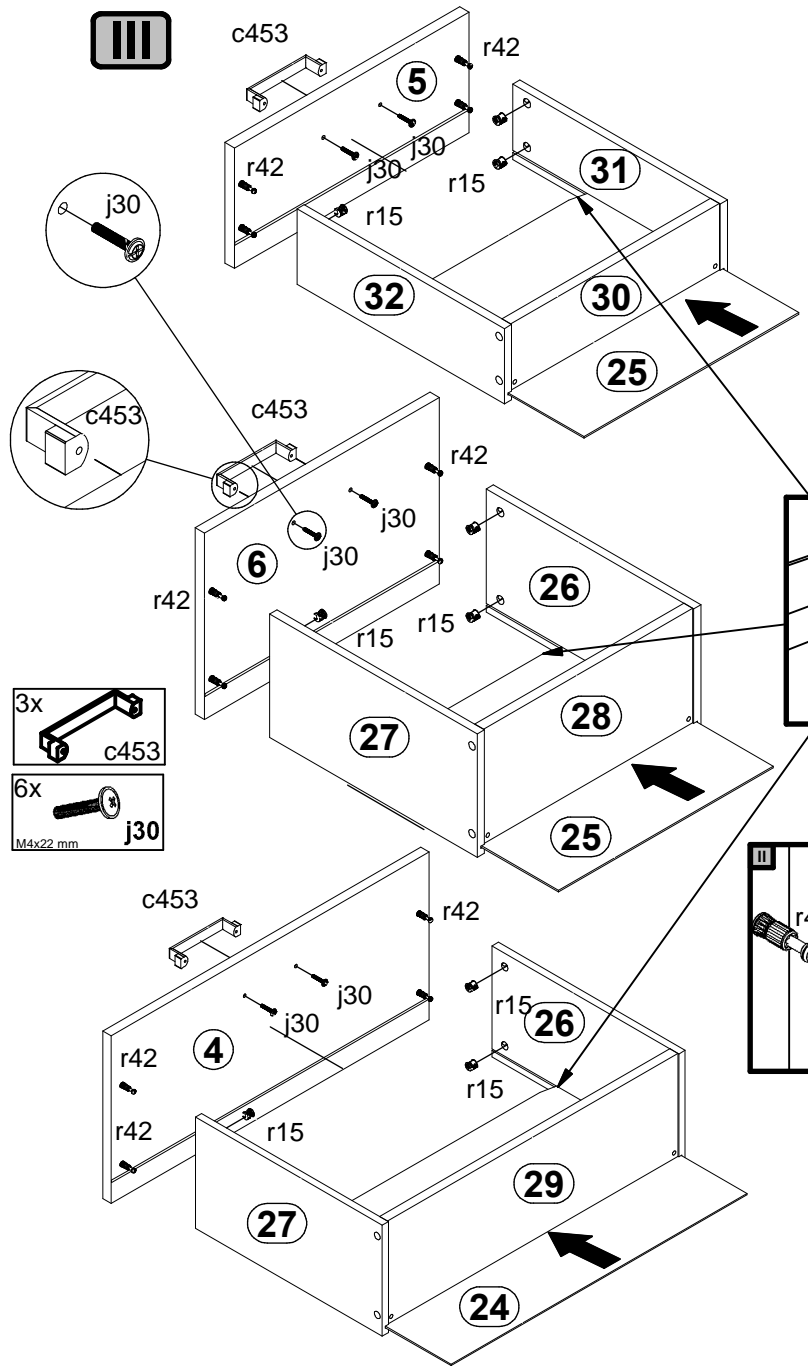


I



II





IV

