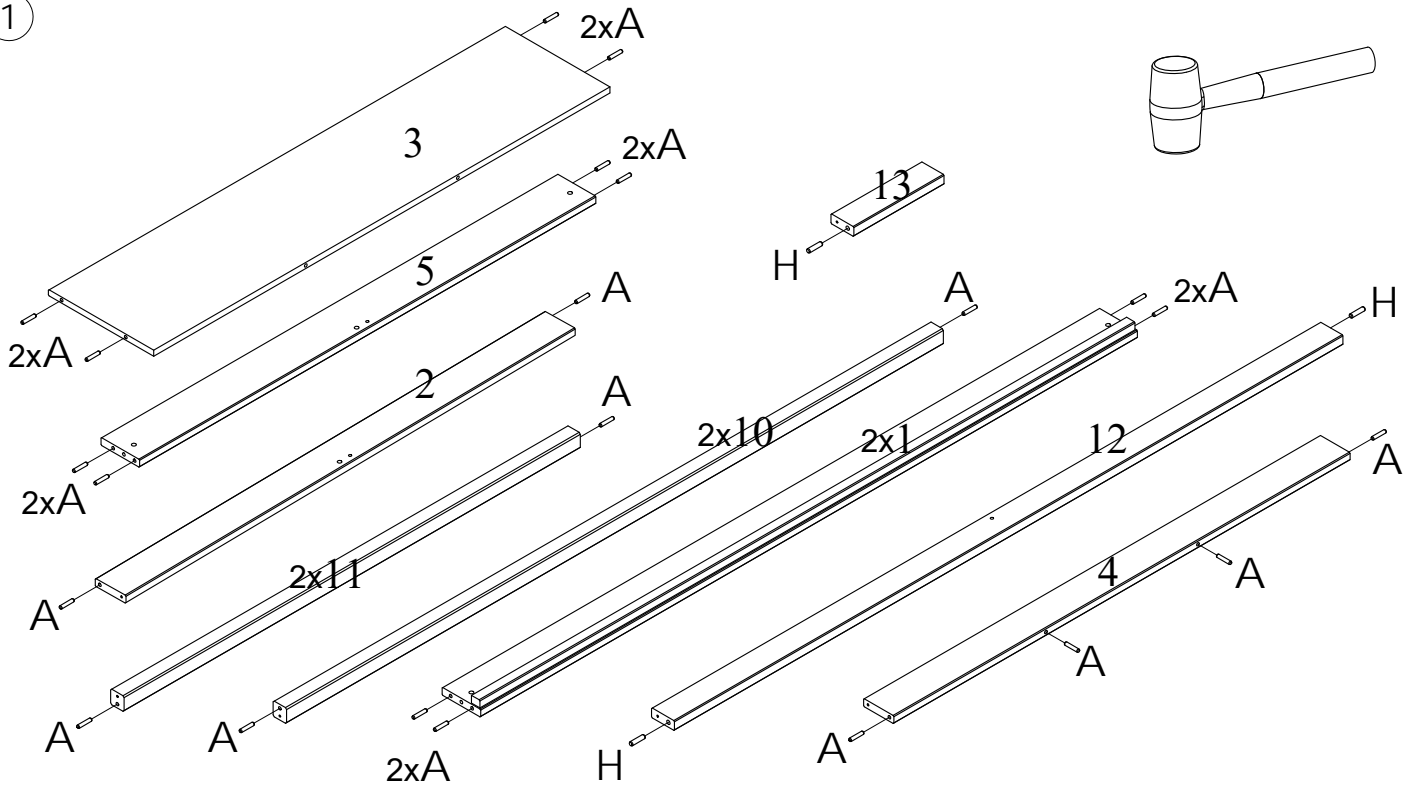
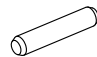



A		8x40	x30
B		6x90	x6
C		M6x10x13	x6
D		6,3x90	x12
E		D15x18	x18

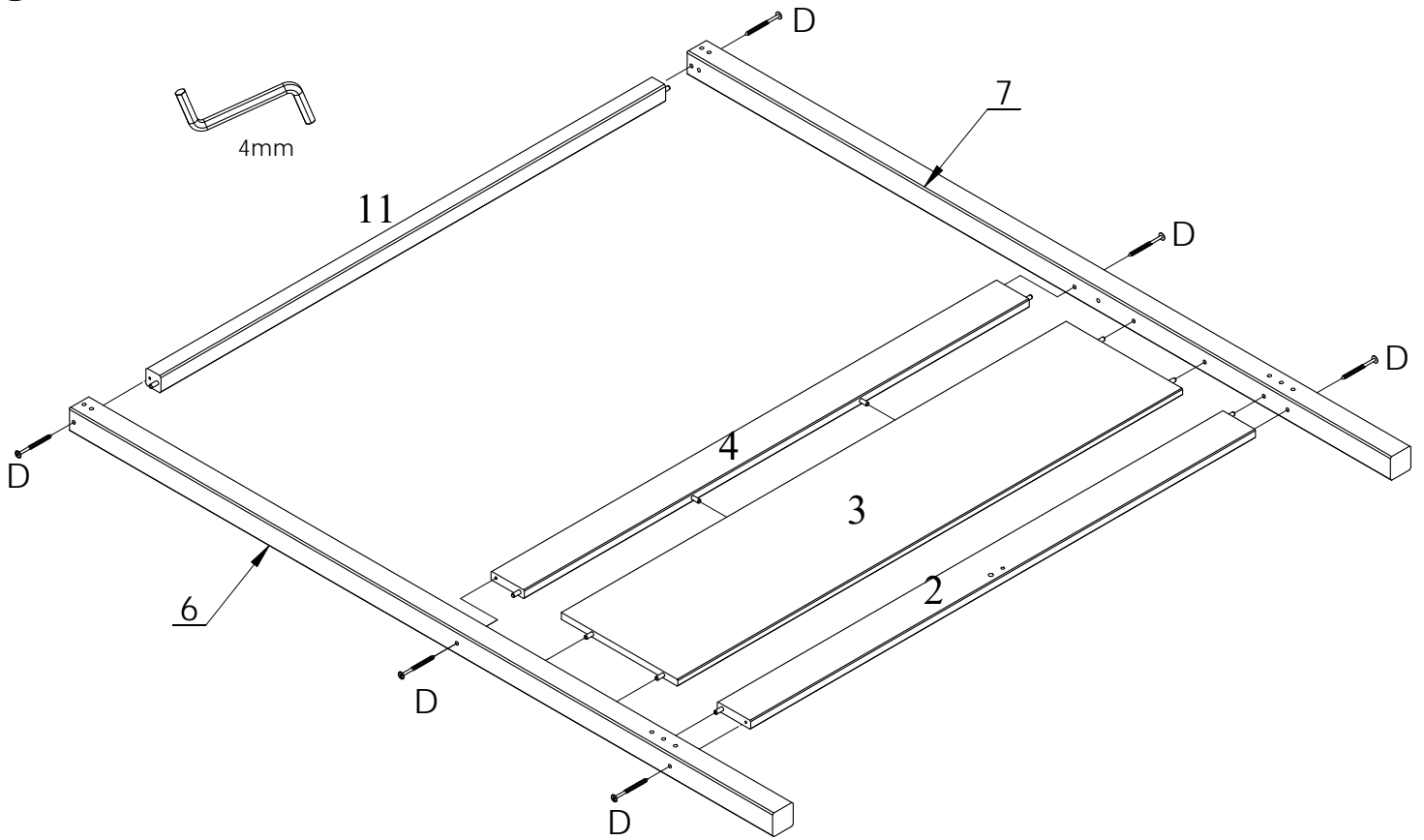
F		3,5x40	x6
G		7x60	x3
H		10x40	x3
J		D4x13	x2
K		4mm	x1

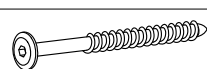
①



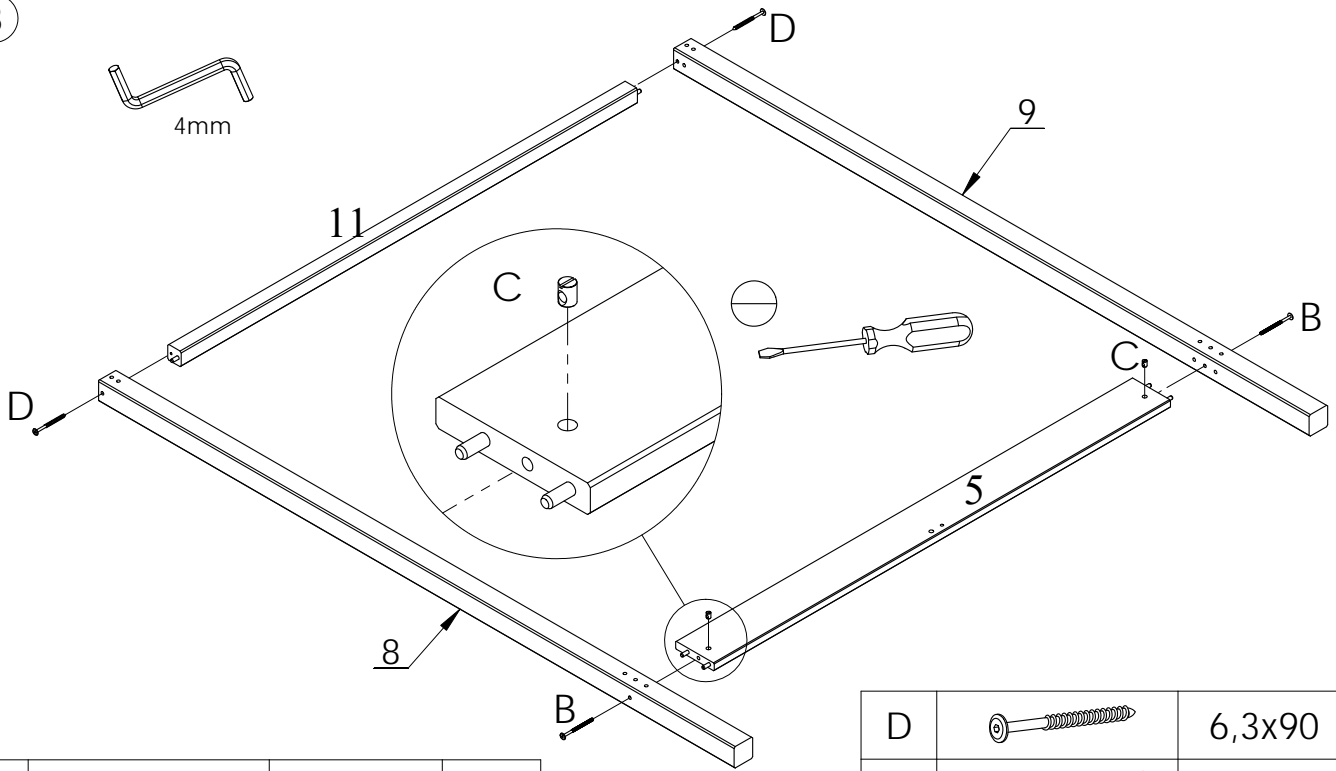
A		8x40	x30
H		10x40	x3

②





D		6,3x90	x6
---	---	--------	----

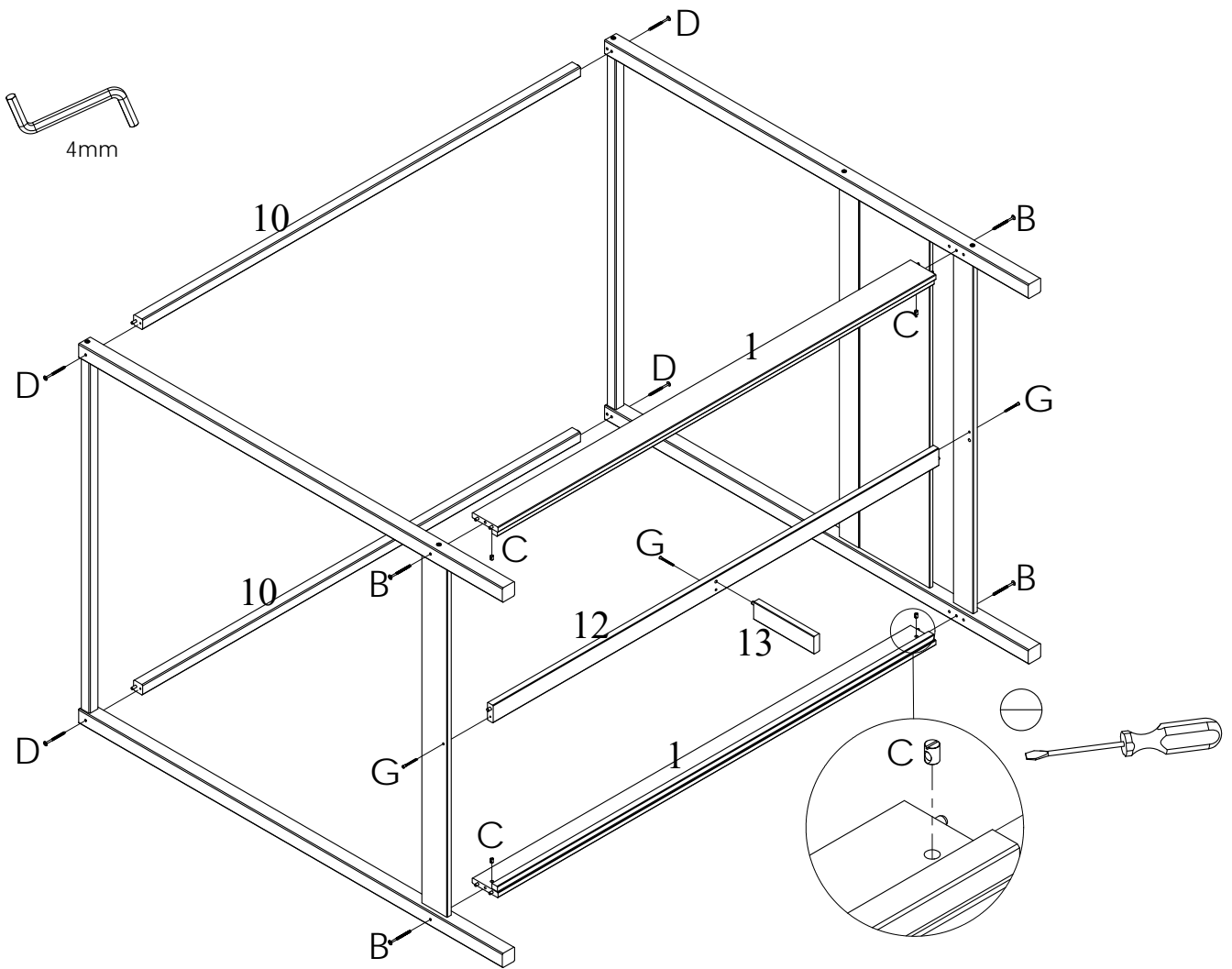
3







C		M6x10x13	x2
---	---	----------	----

D		6,3x90	x2
B		6x90	x2

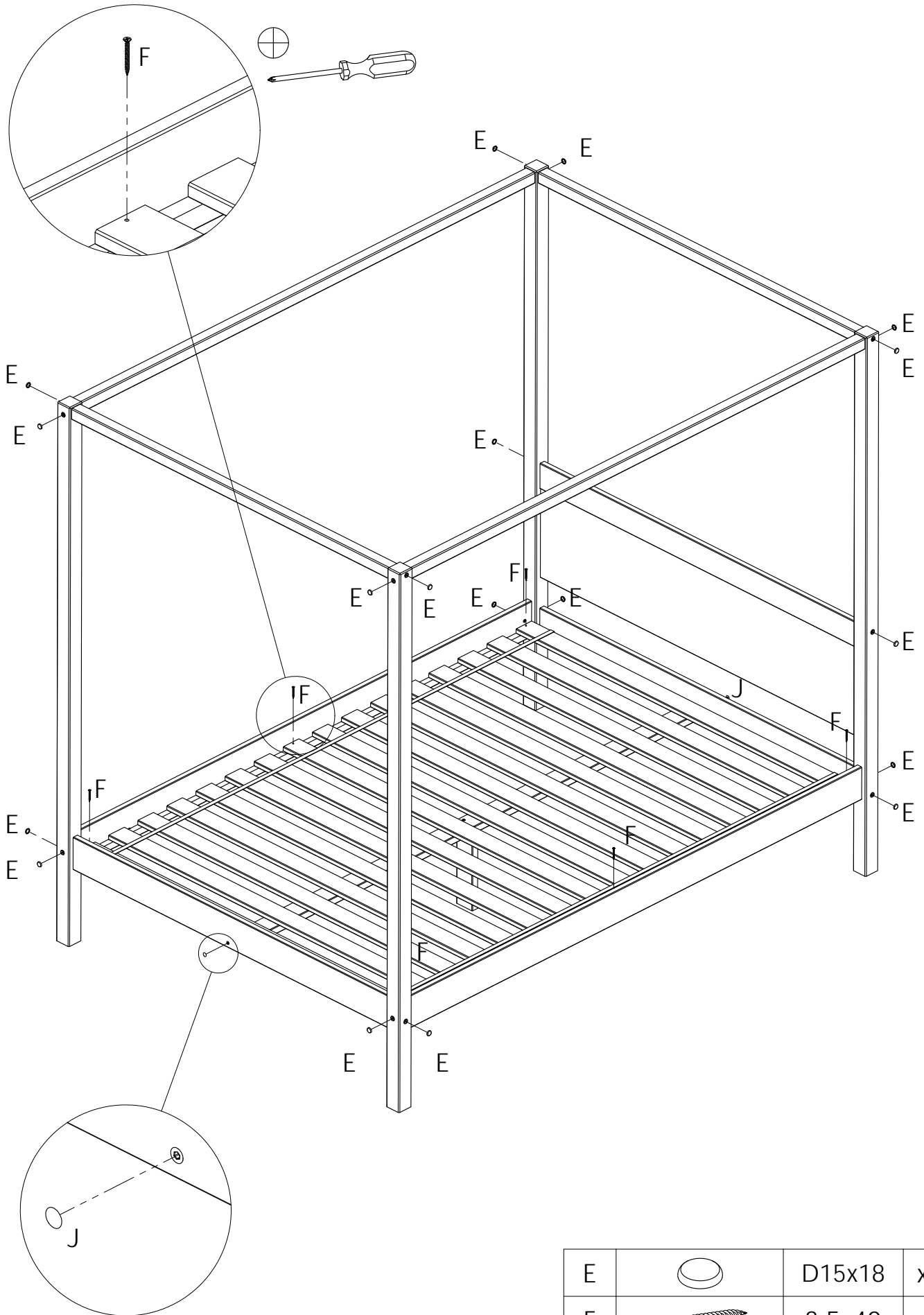
4






D		6,3x90	x4
B		6x90	x4

C		M6x10x13	x4
G		7x60	x3

5



E		D15x18	x18
F		3,5x40	x6
J		D4x13	x2