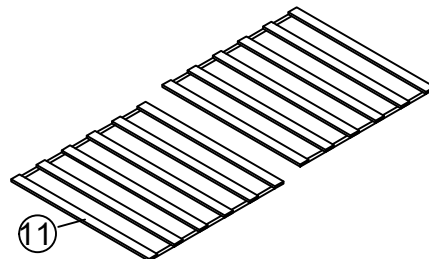
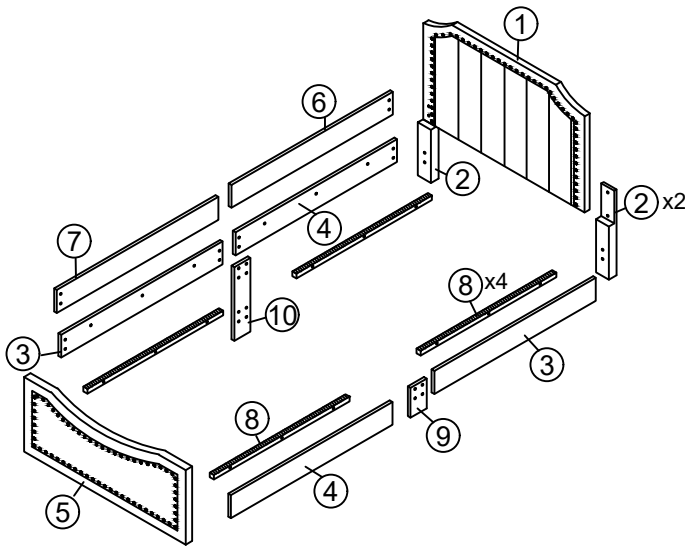
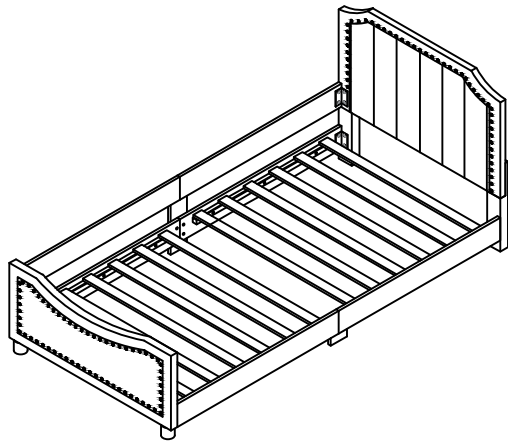


ASSEMBLY INSTRUCTION

Item Number: WF314450

Upholstered Bed 90x200



TIPS

1. Please read the instructions fully before assembly. These instructions include important information which could ensure correct assembly. We have been working on providing high quality products for you. However, in the rare instance that your product is defective, missing parts or there are some issues, please don't hesitate to contact our customer service to submit parts requirements, assembly suggestion, or warranty claims, and we will give the best solution as soon as possible. If necessary, we need you to provide some more clear pictures of the issue.

2. Insert the screws in holes and tighten the screws, but not too tight, 70%~80% is ok, finally tighten all the screws. If some issues happened that some screws can not target to the hole or some parts are difficult to install, please adjust the tightness of the screws.

3. 2 people are recommended to finish

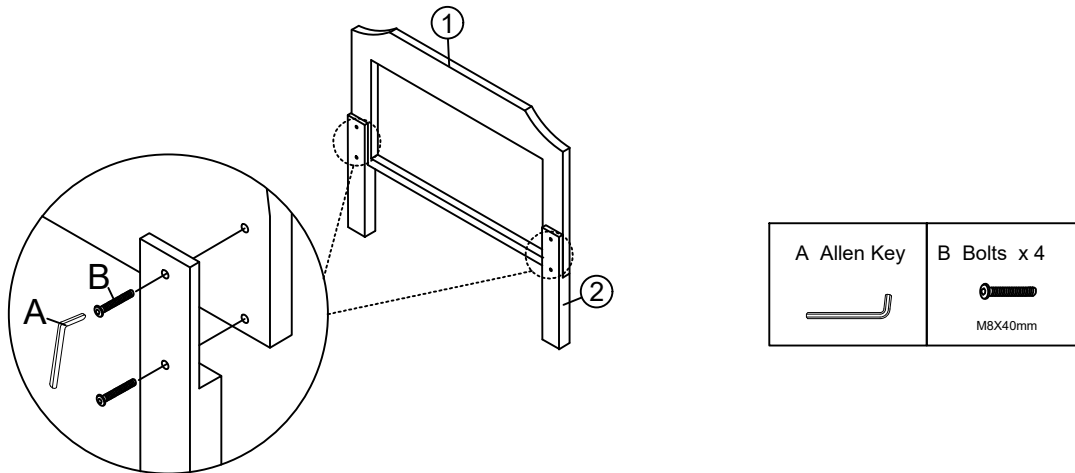
Parts List			Hardware List		
NO	ITEM	QTY	NO	ITEM	QTY
1	Head board	1	A	Allen Key 	1
2	Head board legs	2	B	Bolts (M8x40mm) 	16
3	Siderails	2	C	Bolts (M8x30mm) 	12
4	Siderails	2	D	Bolts (M8x18mm) 	24
5	Foot board	1	E	"7" Connector 	6
6	Siderails	1	F	Legs 	2
7	Siderails	1			
8	Side rails support bar	4			
9	Side rails support leg	1			
10	Side rails support leg	1			
11	Slats	12			

Attention: Do not tighten the screws before completing the entire installation. If you have any difficulty with the installation process, please feel free to contact us.

Step 1 x2

Fix the head board legs ② to the headboard ① with Bolts B by using Allen key A.

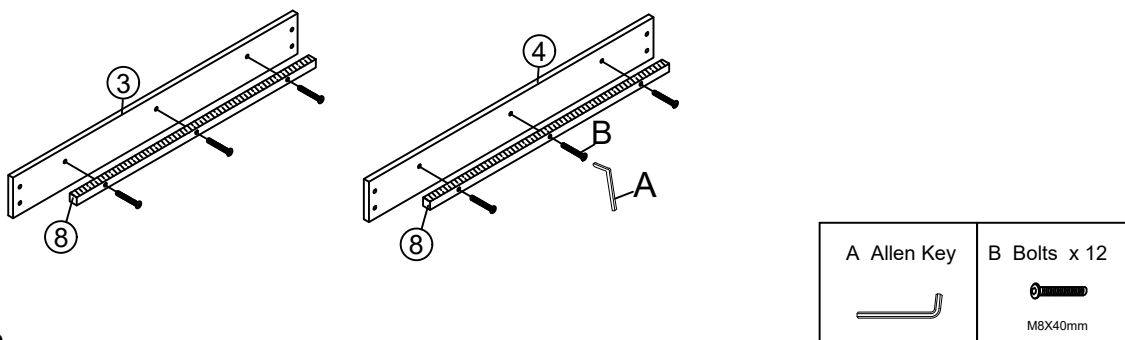
(Befestigen Sie die Kopfteilbeine ② mit den Schrauben B und dem Inbusschlüssel A am Kopfteil ①.)



Step 2

Connect Siderail support bar ⑧ to the Siderails ③ and ④ with Bolts B by using Allen key A.

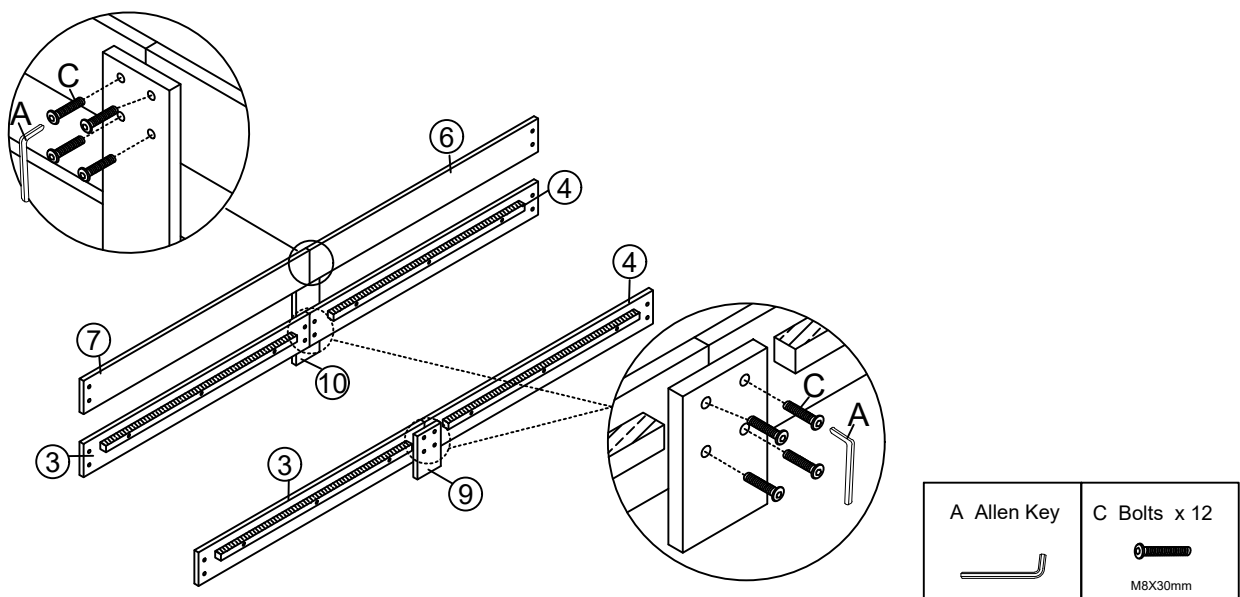
(Befestigen Sie die Seitengitter-Stützstange ⑧ mit den Schrauben B und dem Inbusschlüssel A an den Seitengittern ③ und ④.)



Step 3 x2

Fix the Side rails support leg ⑨ and ⑩ to the siderails ③, ④, ⑥ and ⑦ with Bolts C by using Allen key A.

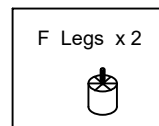
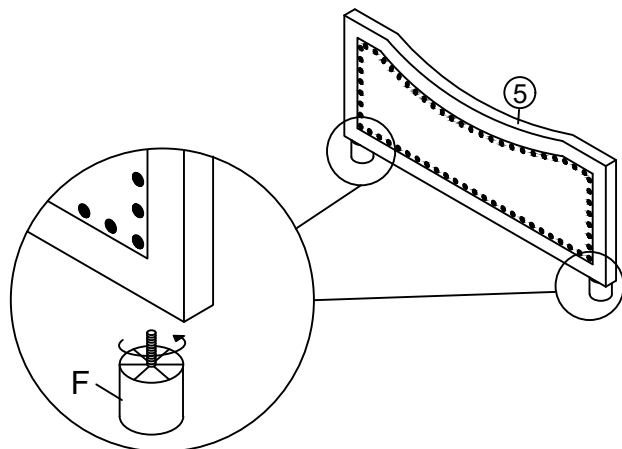
(Befestigen Sie die Seitenschienen-Stützbeine ⑨ und ⑩ an den Seitenschienen ③, ④, ⑥ und ⑦ mit den Schrauben C und dem Inbusschlüssel A.)



Step 4

Fix the legs F to the Footboard ⑤ .

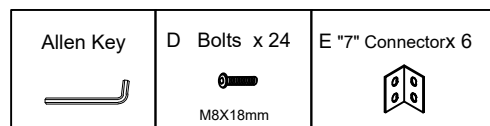
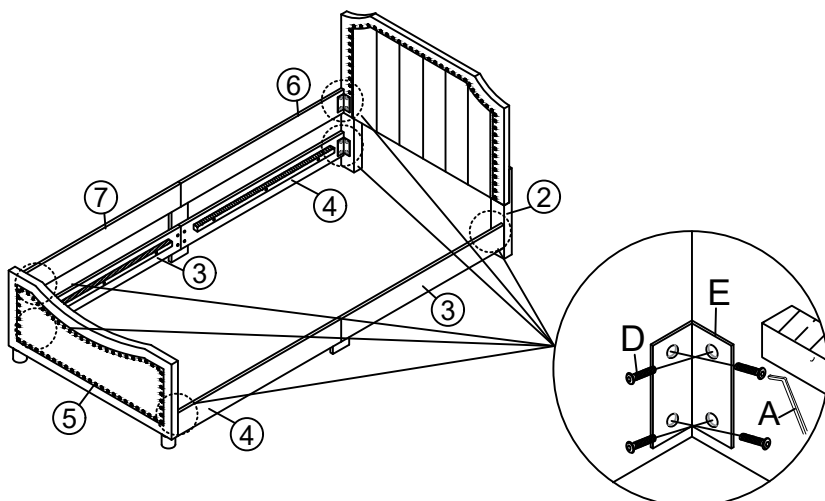
(Befestigen Sie die Beine F am Fußteil ⑤.)



Step 5

Fix the assembled side rails to the headboard ①, head board legs ② and footboard ⑤ with Bolts D and "7" Connector E by using Allen key A.

(Befestigen Sie die zusammengebauten Seitenschiene am Kopfteil ①, an den Beinen des Kopfteils ② und am Fußteil ⑤ mit den Schrauben D und dem "7"-Anschluss E unter Verwendung des Inbusschlüssels A.)



Step 6

Fix the slats ⑪ to the side support bar ⑧, then assembly is finished. Please tighten all of the screws and enjoy your bed.

(Befestigen Sie die Latten ⑪ an der seitlichen Stützstange ⑧), dann ist die Montage abgeschlossen. Bitte ziehen Sie alle Schrauben fest und genießen Sie Ihr Bett.)

