

# DeHong®

## Assembly Instructions Nature Desk Chair

### Components



**A** CASTOR (5)



**B** 5-STAR BASE (1)



**C** GAS LIFT (1)



**D** MECHANISM (1)



**E** SEAT & BACK CUSHION (1)

### Hardware/Tools

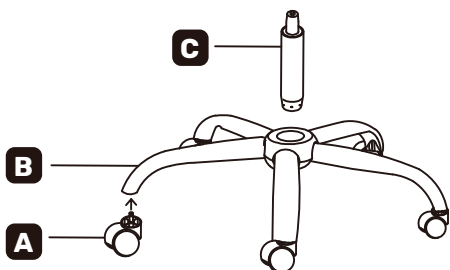


**F** 5/16" \* 7/8" (4)

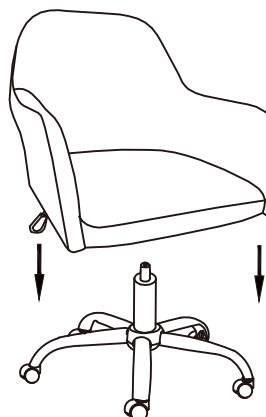


**G** Allen Key (1)

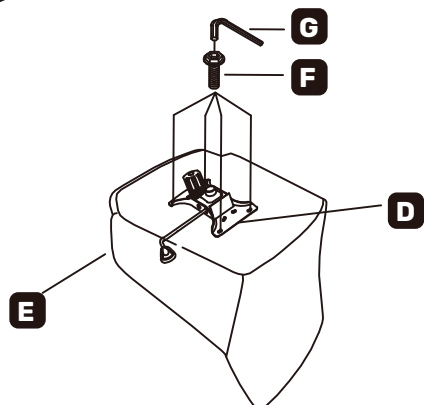
1



3



2



4



**IMPORTANT:** This chair is to be used by one person at a time. Be sure all screws are securely tightened. Save the wrench and periodically tighten the screws. Do not lean the chair back on 2 legs or use the chair as a stepladder. Use this chair for its intended purpose only.