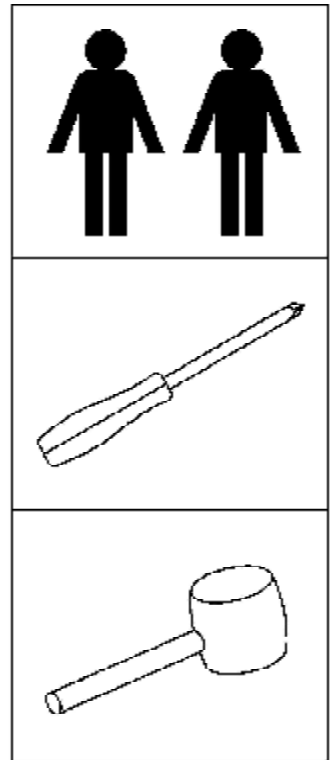
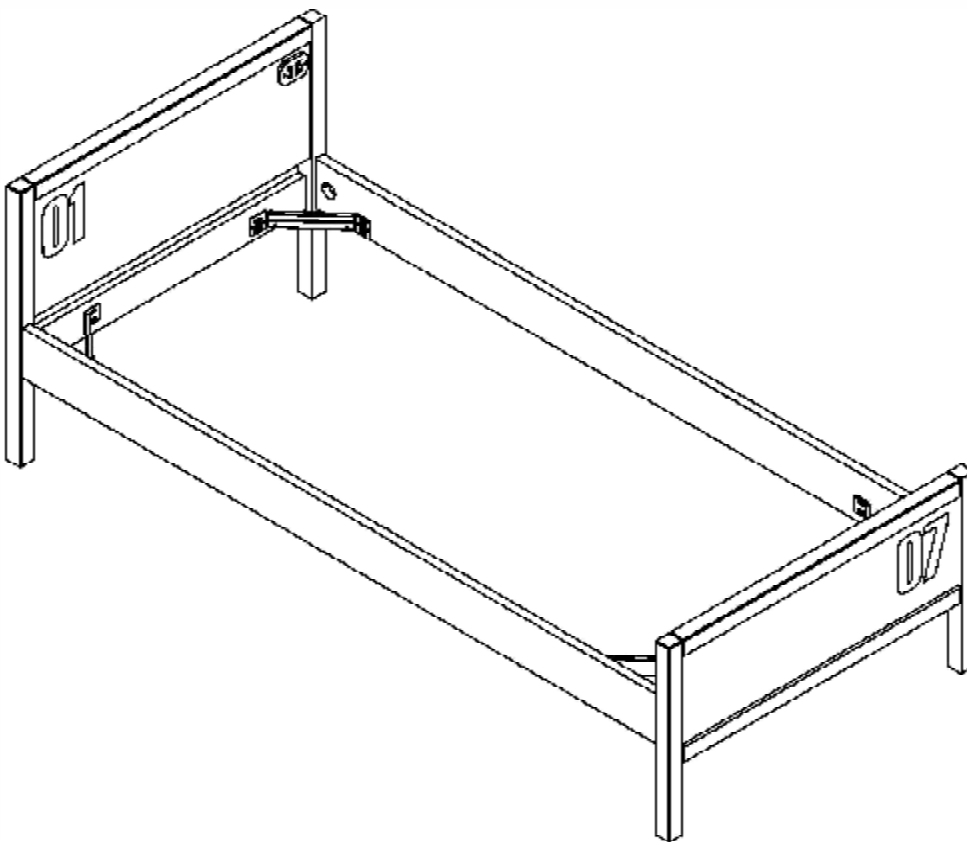
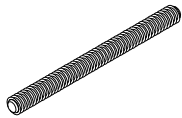
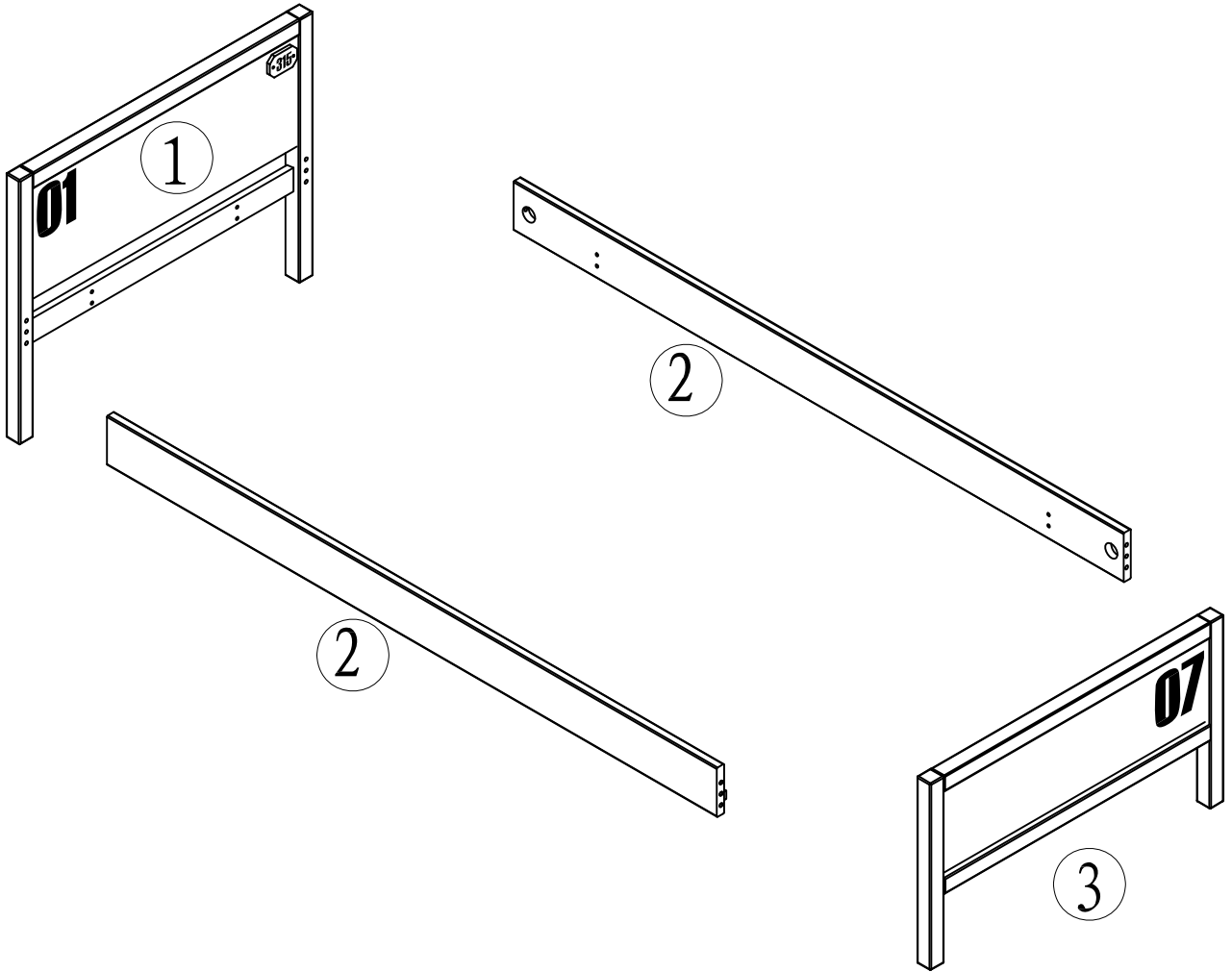


AXBE9019

MONTAGE AANWIJZING
NOTICE DE MONTAGE
MONTAGE ANLEITUNG
ASSEMBLY INSTRUCTIONS





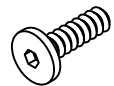
A*4



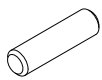
B*4



C*4



D*16



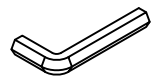
E*8
(D10*40)



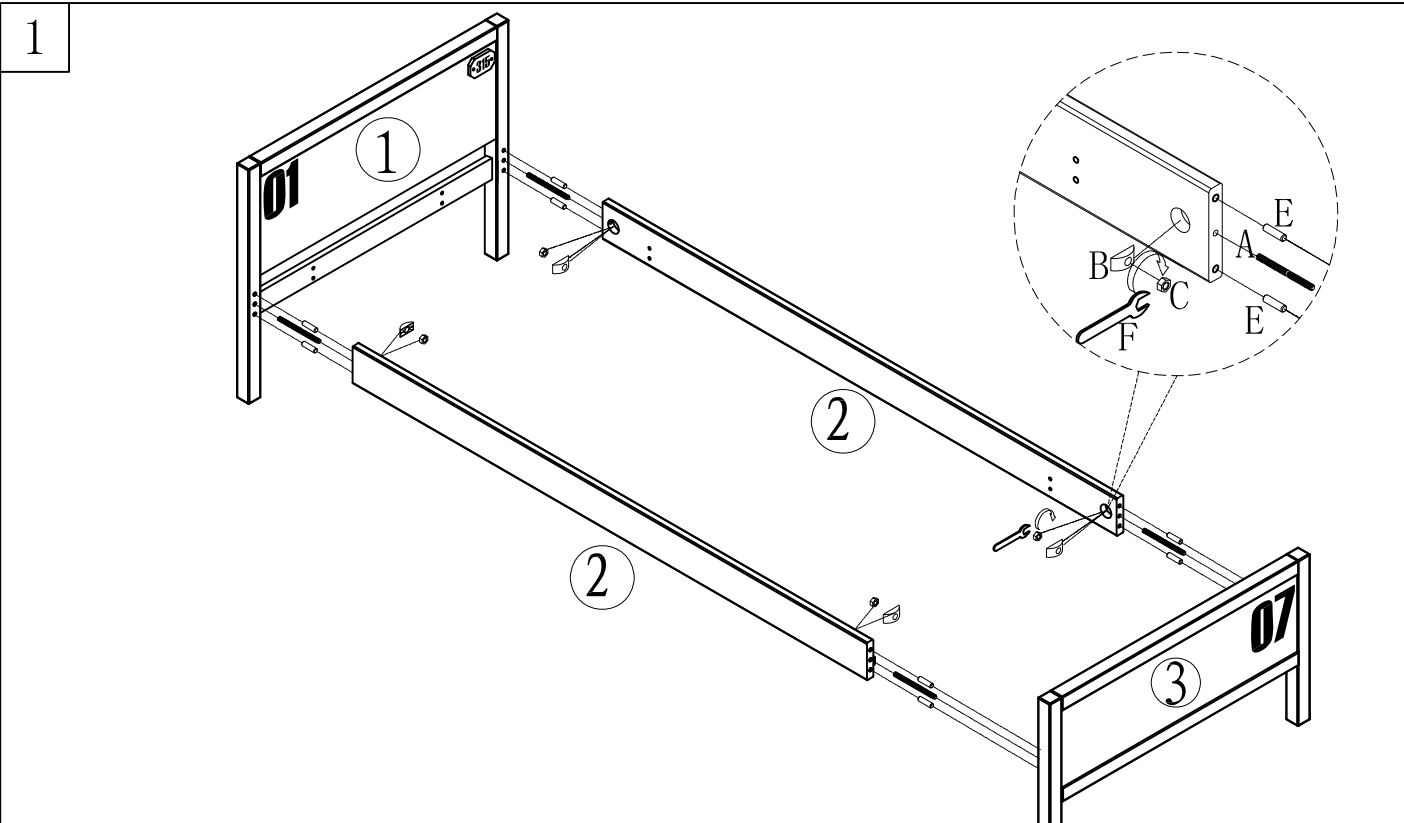
F*1
(WRENCH14)

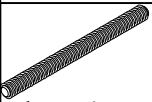
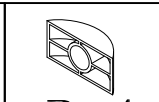
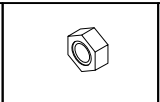
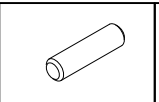
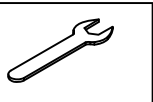


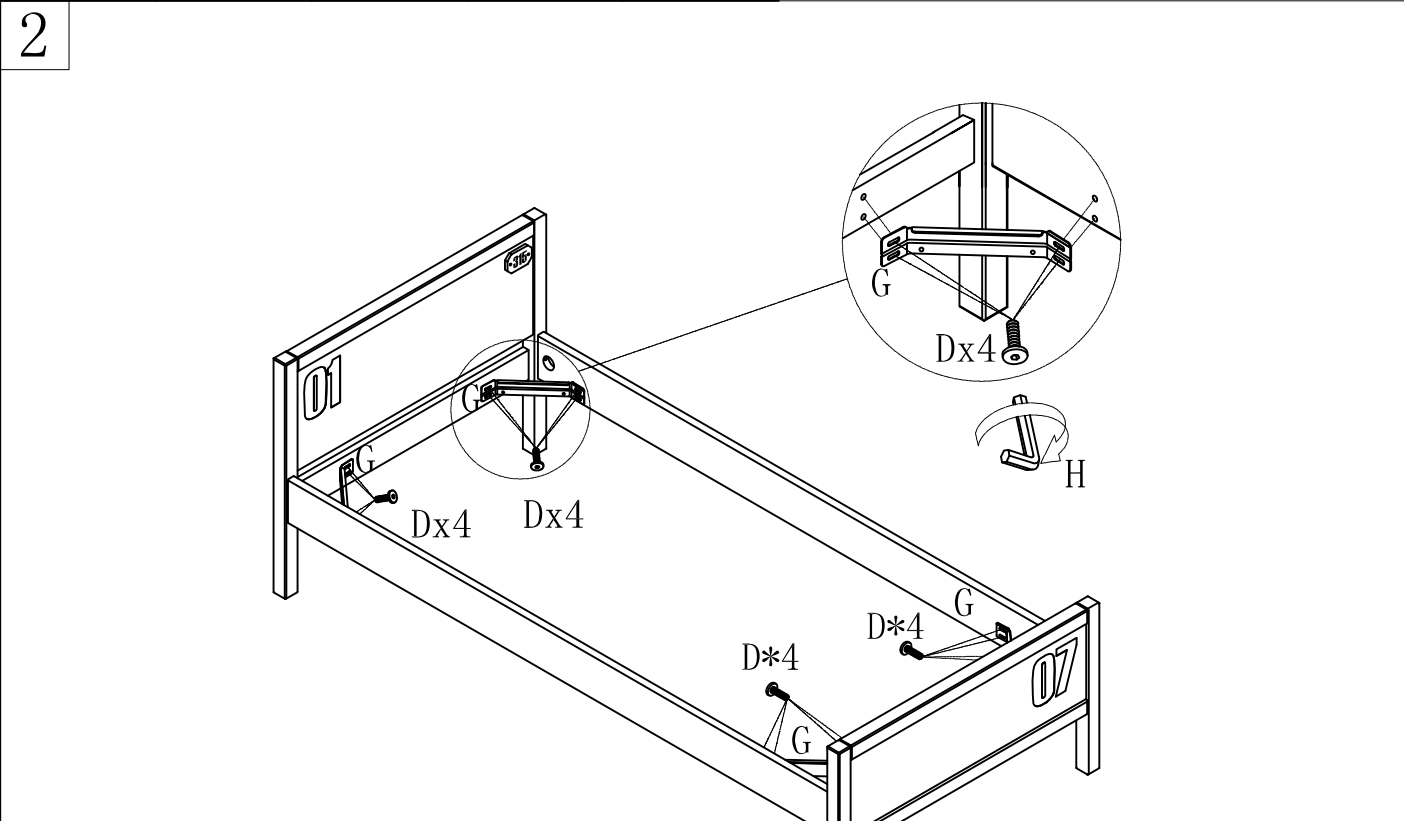
G*4

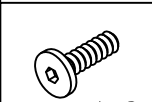
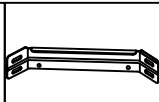
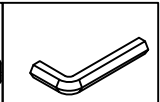


H*1



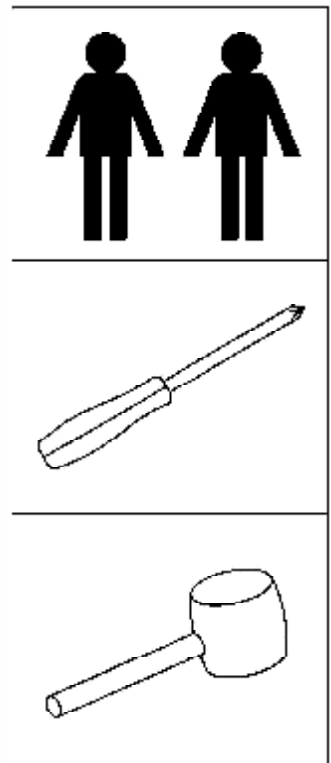
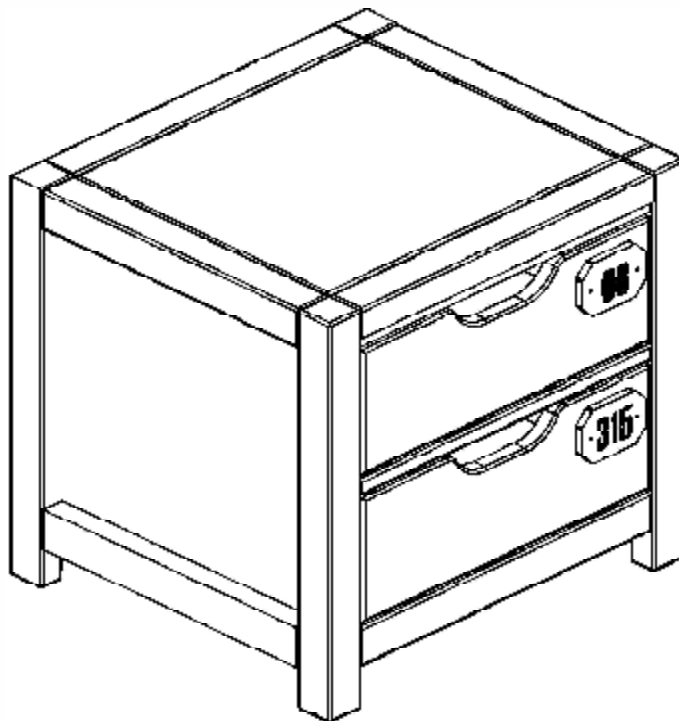
				
A*4	B*4	C*4	E*8	F*1



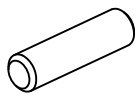
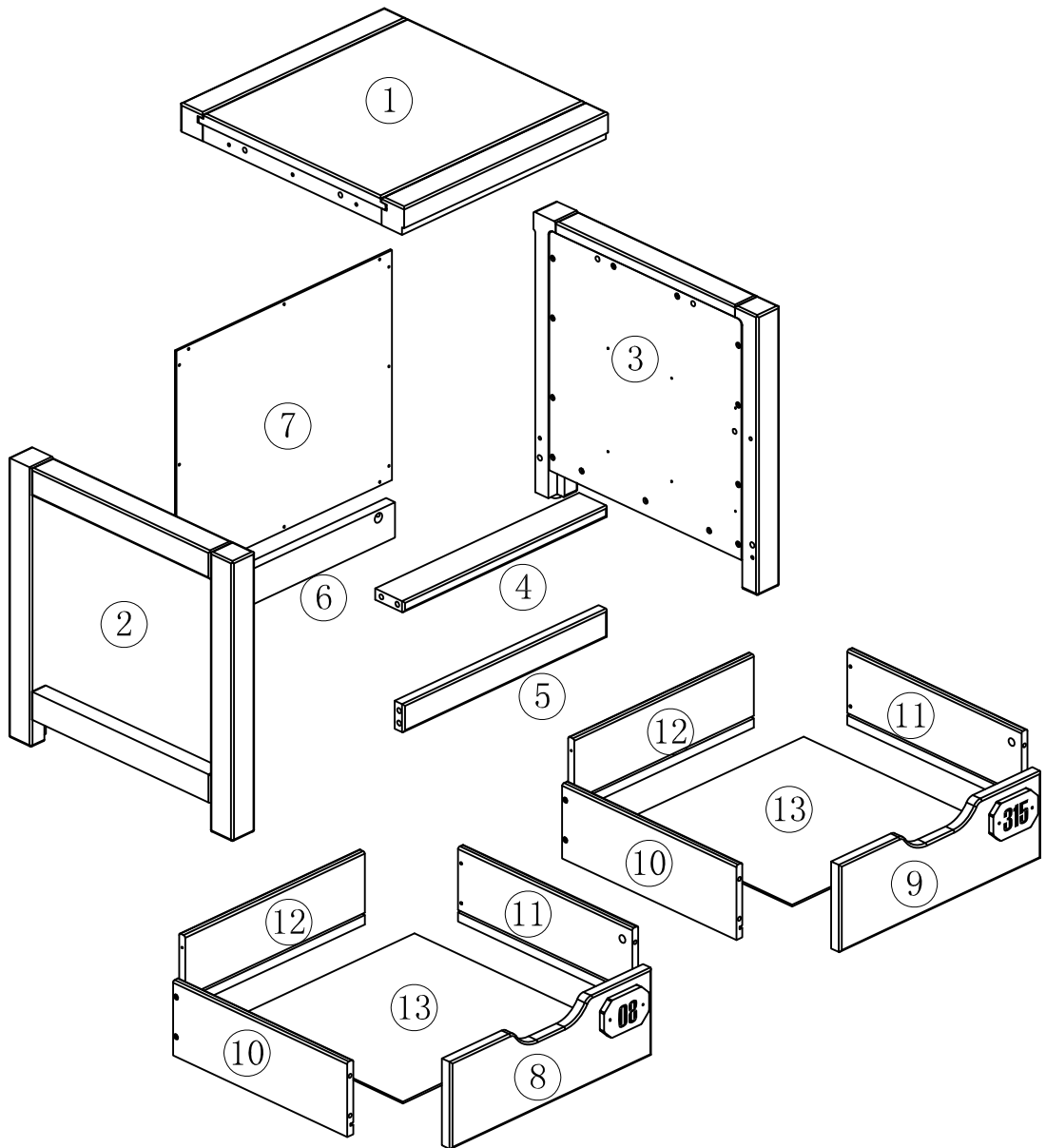
		
D*16	G*4	H*1

ALEX NIGHTSTAND AXNA2219

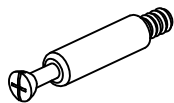
MONTAGE AANWIJZING
NOTICE DE MONTAGE
MONTAGE ANLEITUNG
ASSEMBLY INSTRUCTIONS



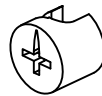
BE00288



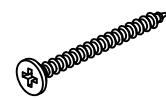
A*10
(D8*30)



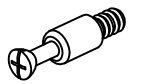
B*6
(D15)



C*6
(D15)



D*6
(M3.5*50)



E*8
(D12)



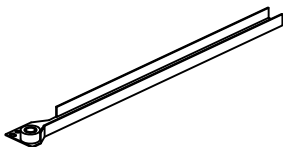
F*8
(D12)



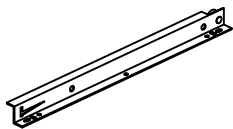
H*12
(M3.0*15)



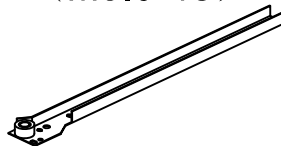
I*24
(M3.5*15)



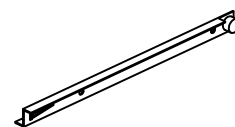
J*2



K*2

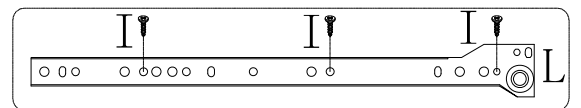
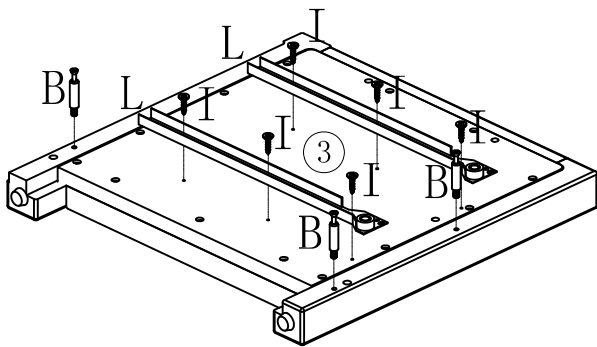
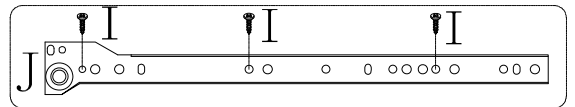
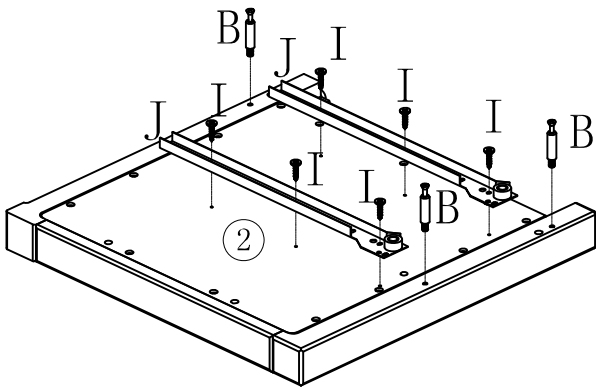
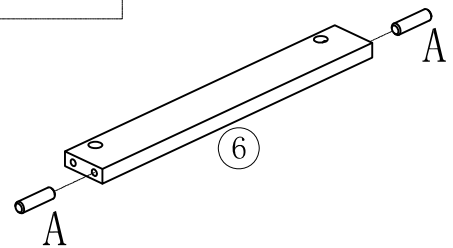
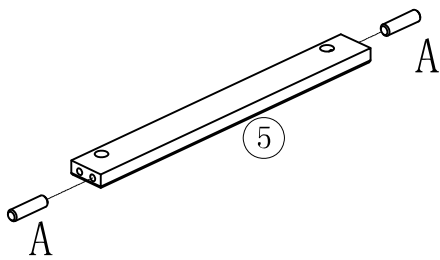
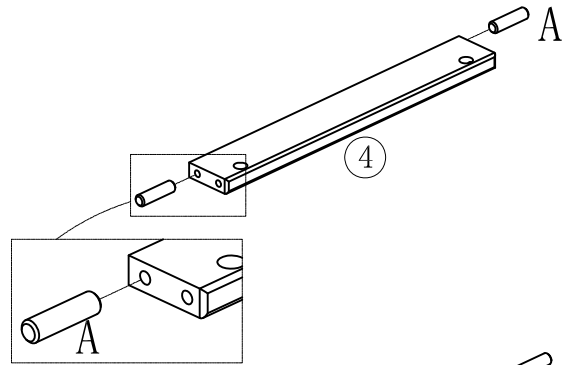
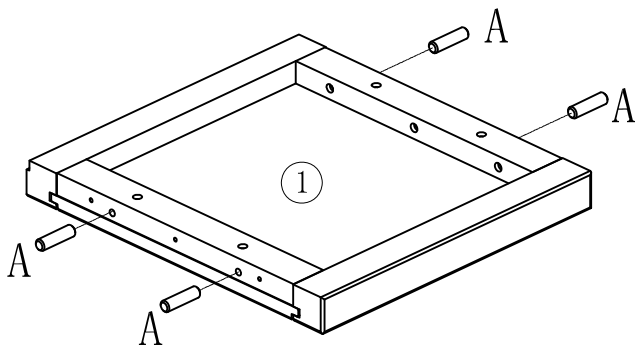


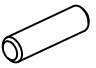




L*2



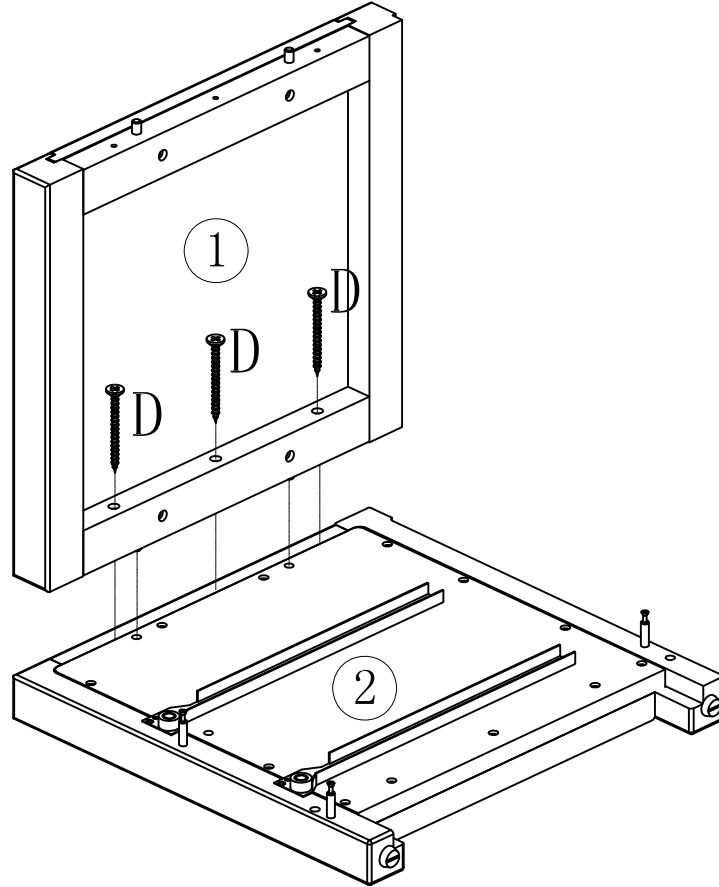
M*2

1

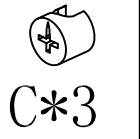
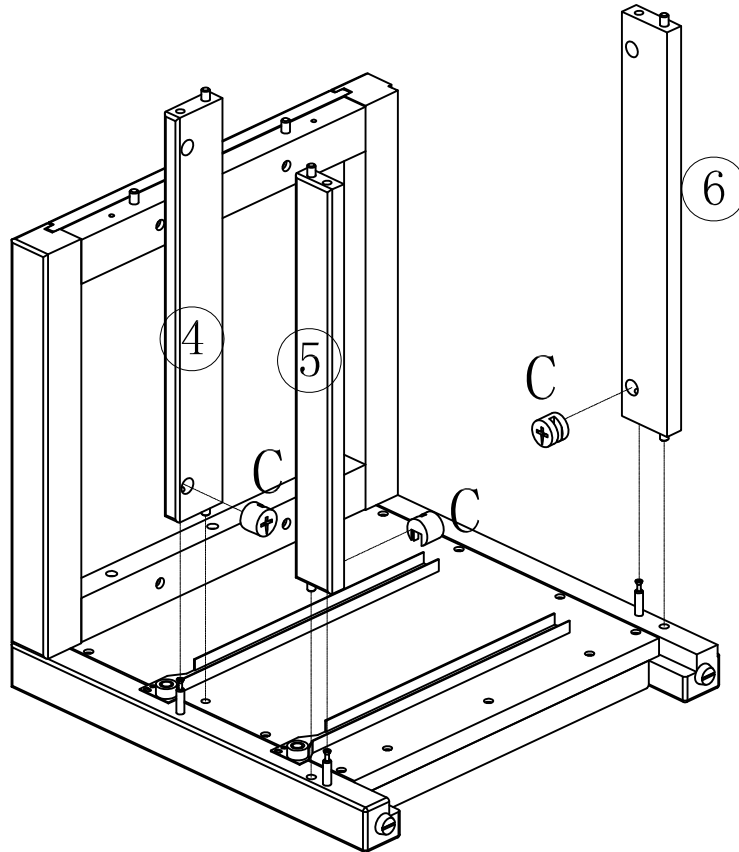


				
A*10	B*6	I*12	J*2	L*2

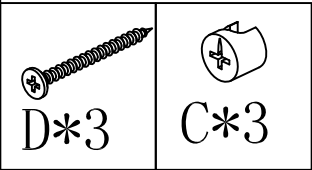
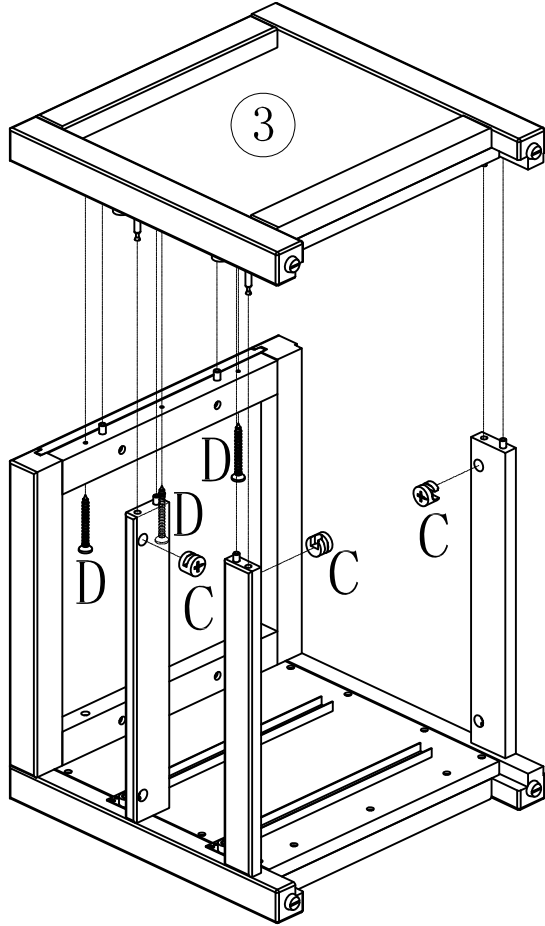
2



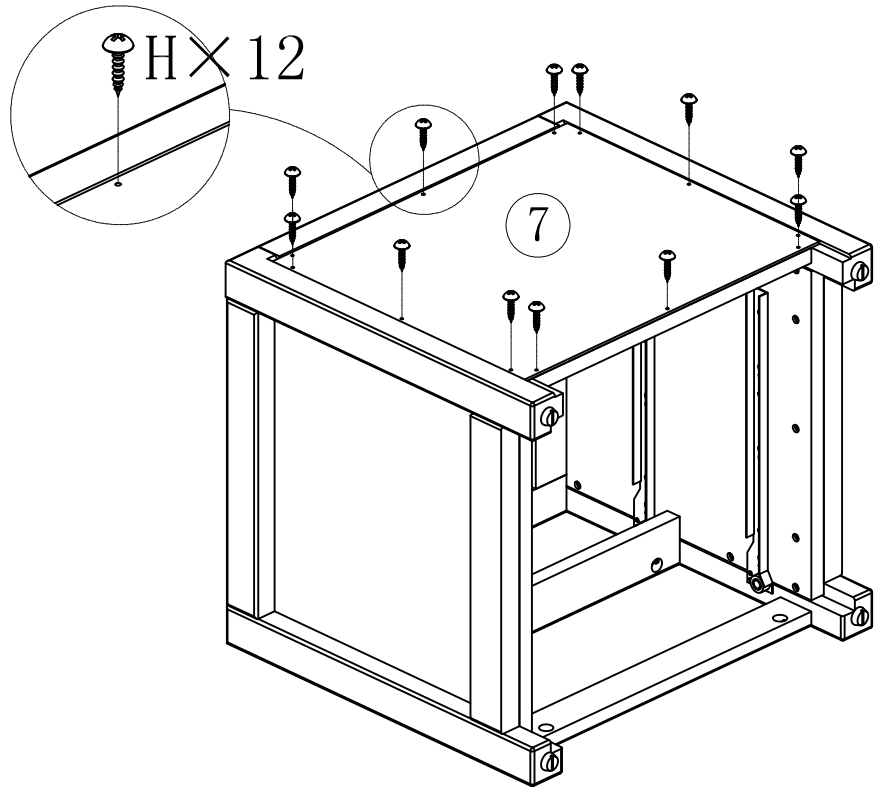
3



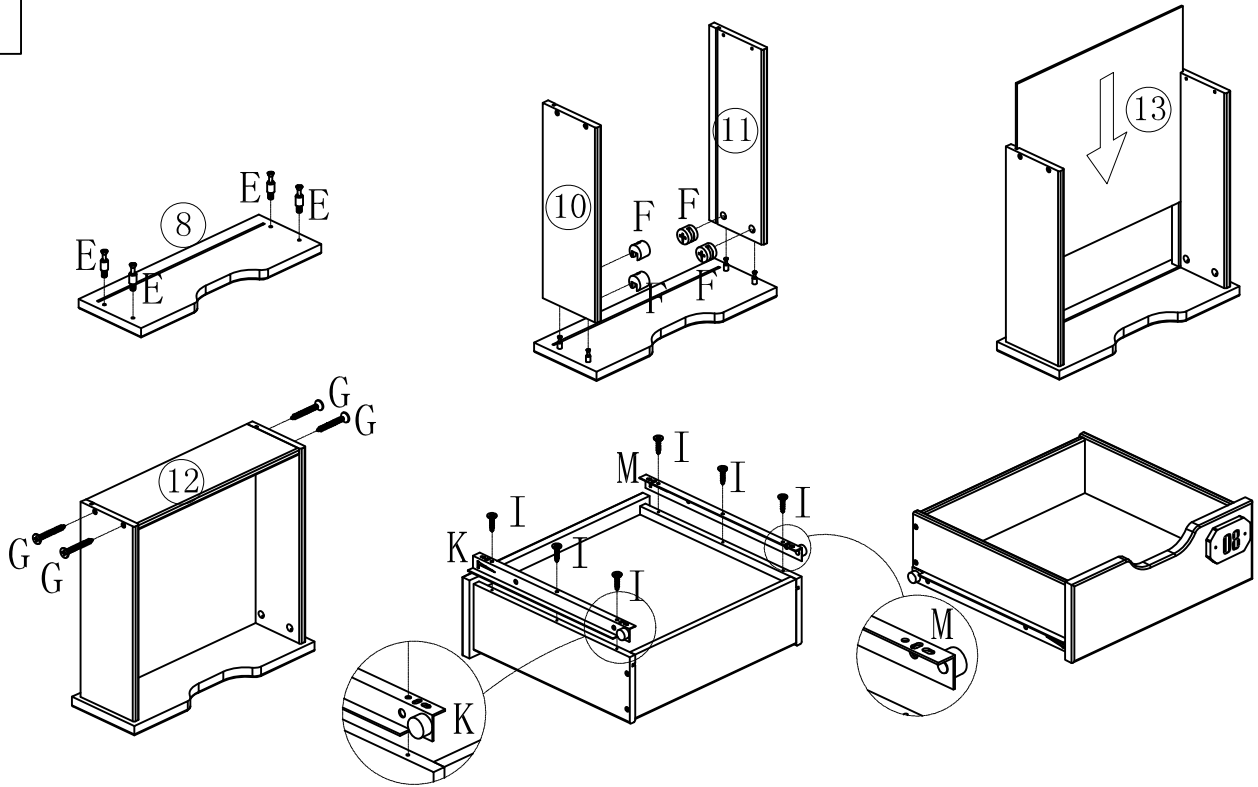
4





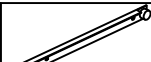



5

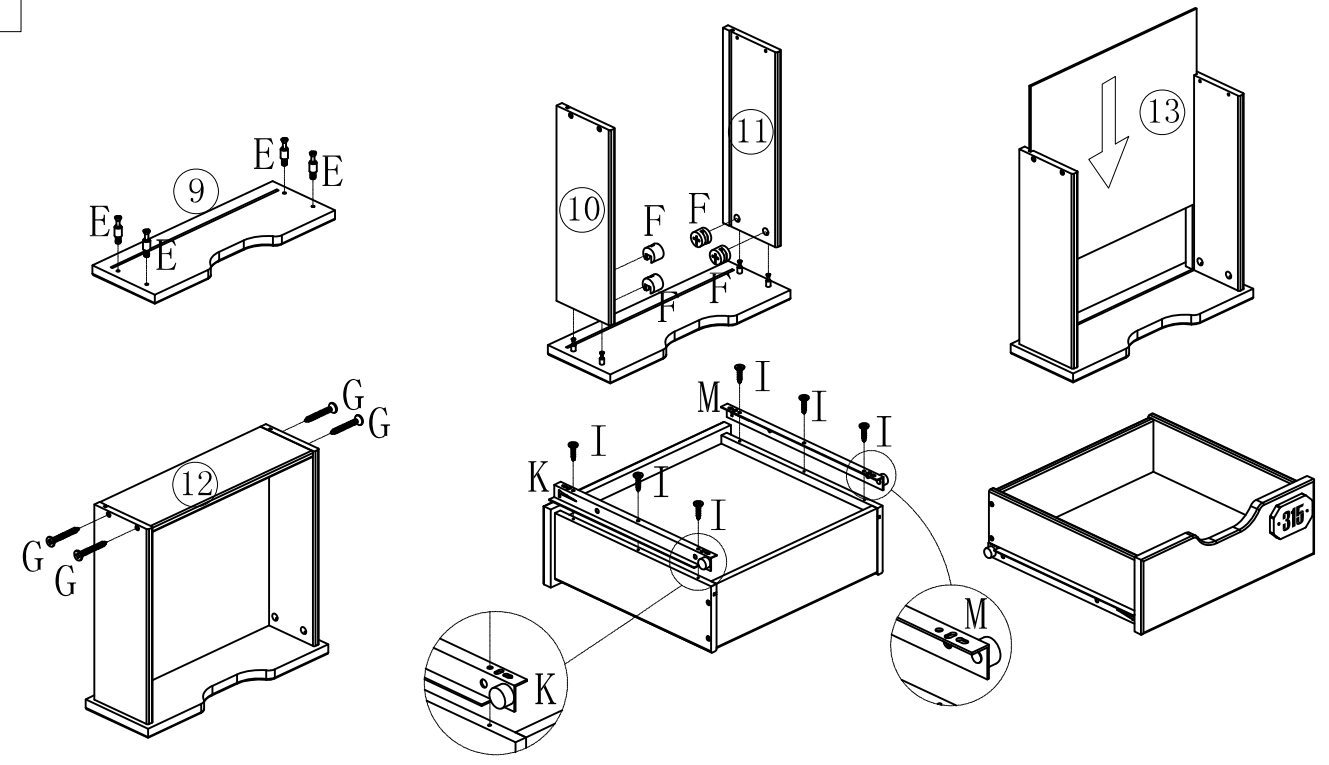








6



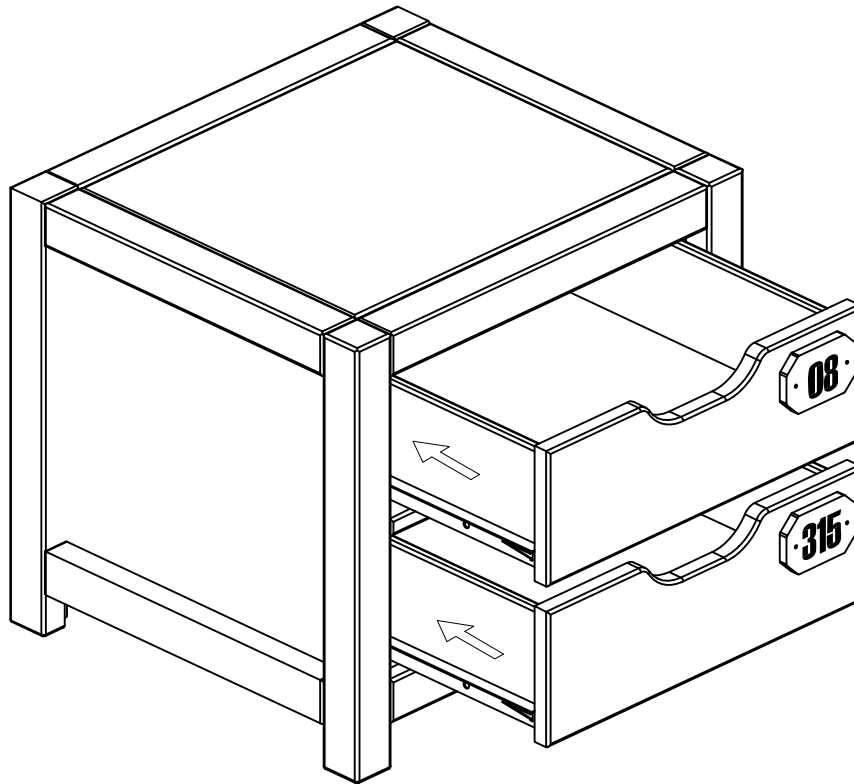
					
E*4	F*4	G*4	K*1	M*1	I*6

7

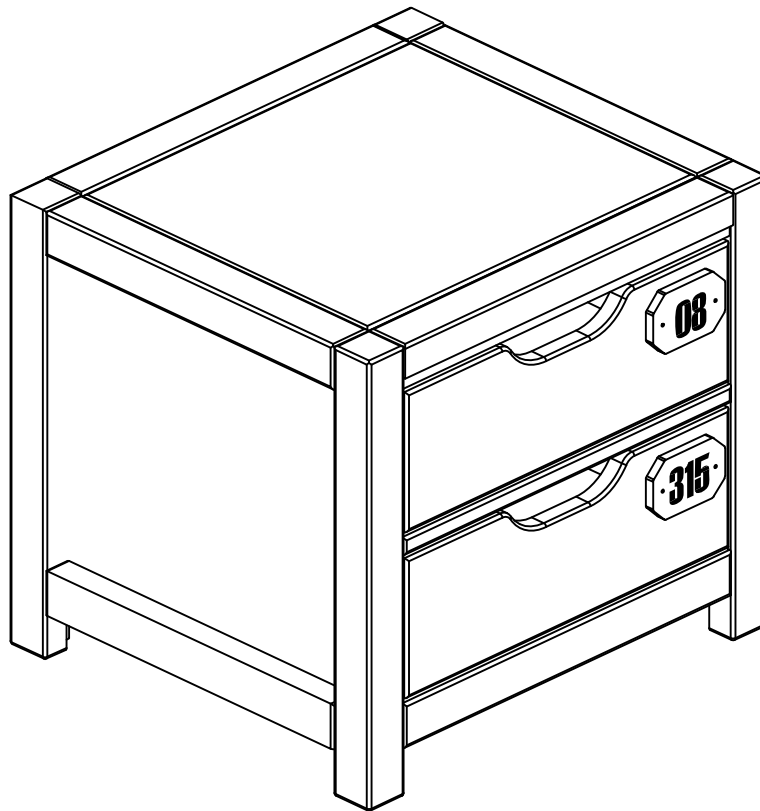


					
E*4	F*4	G*4	K*1	M*1	I*6

8

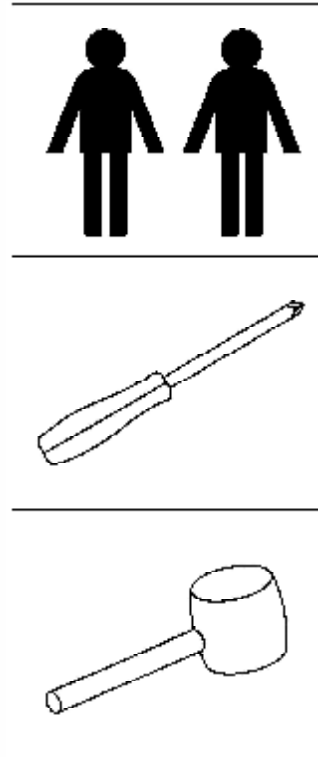
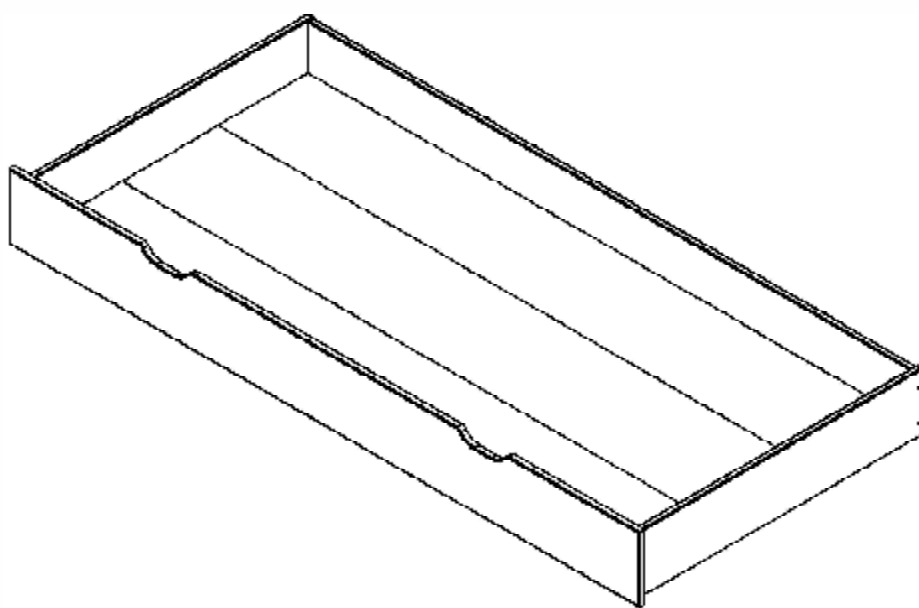


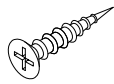
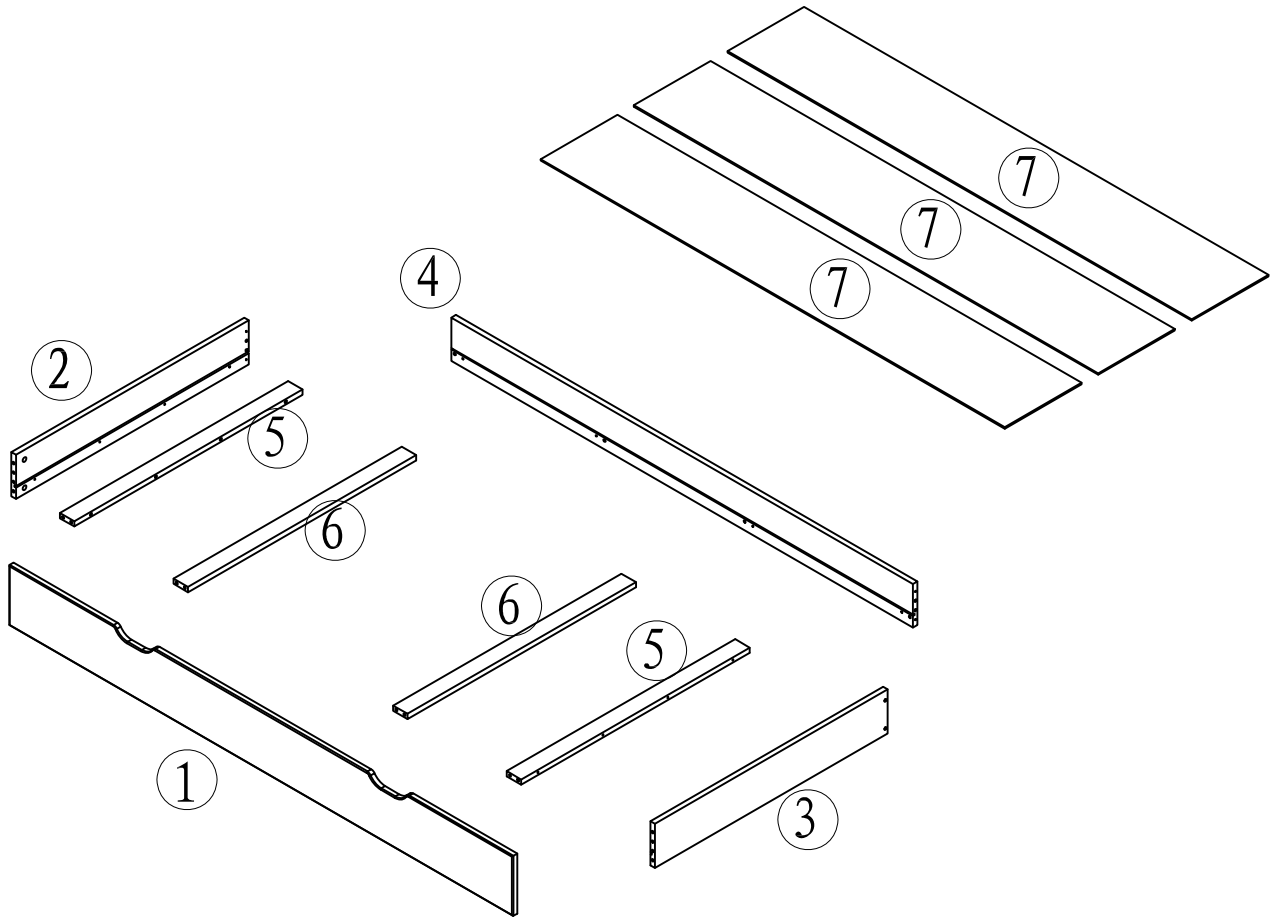
9



ALEX UNDERBED AXRB9019

MONTAGE AANWIJZING
NOTICE DE MONTAGE
MONTAGE ANLEITUNG
ASSEMBLY INSTRUCTIONS





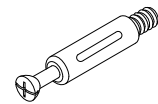
A × 16
(M3.5 × 15)



B × 8



C × 12
(M3.5 × 35)



D × 12
(D15)



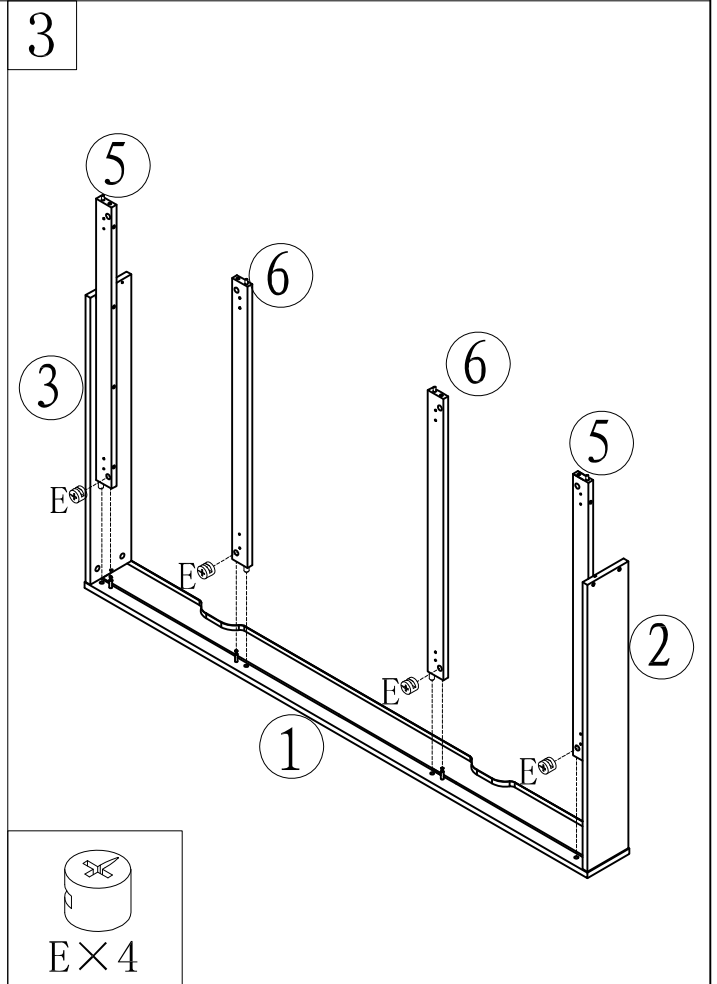
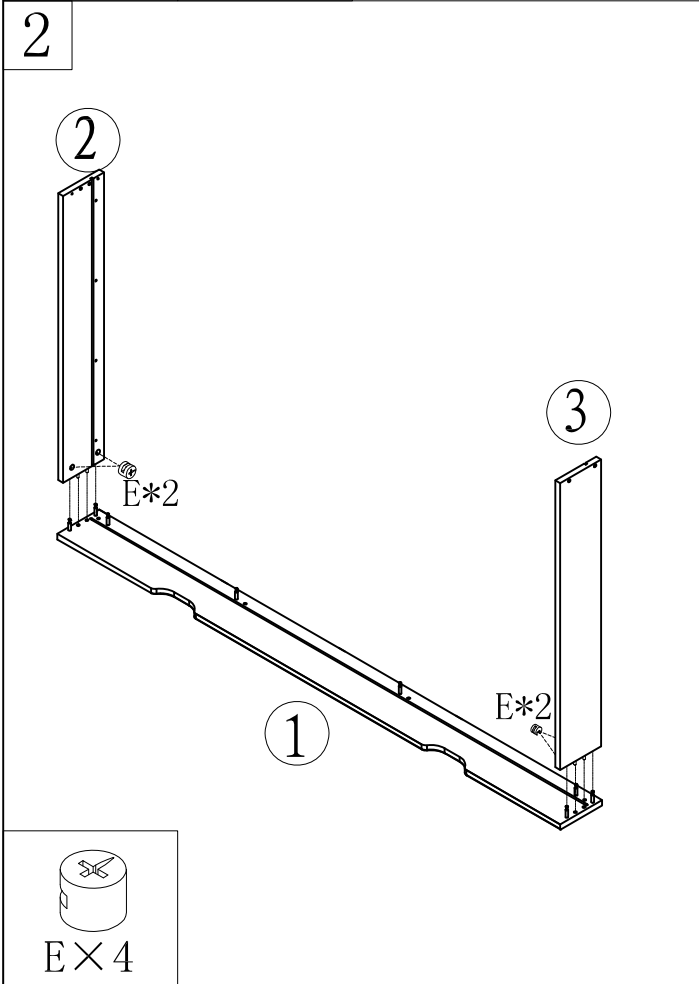
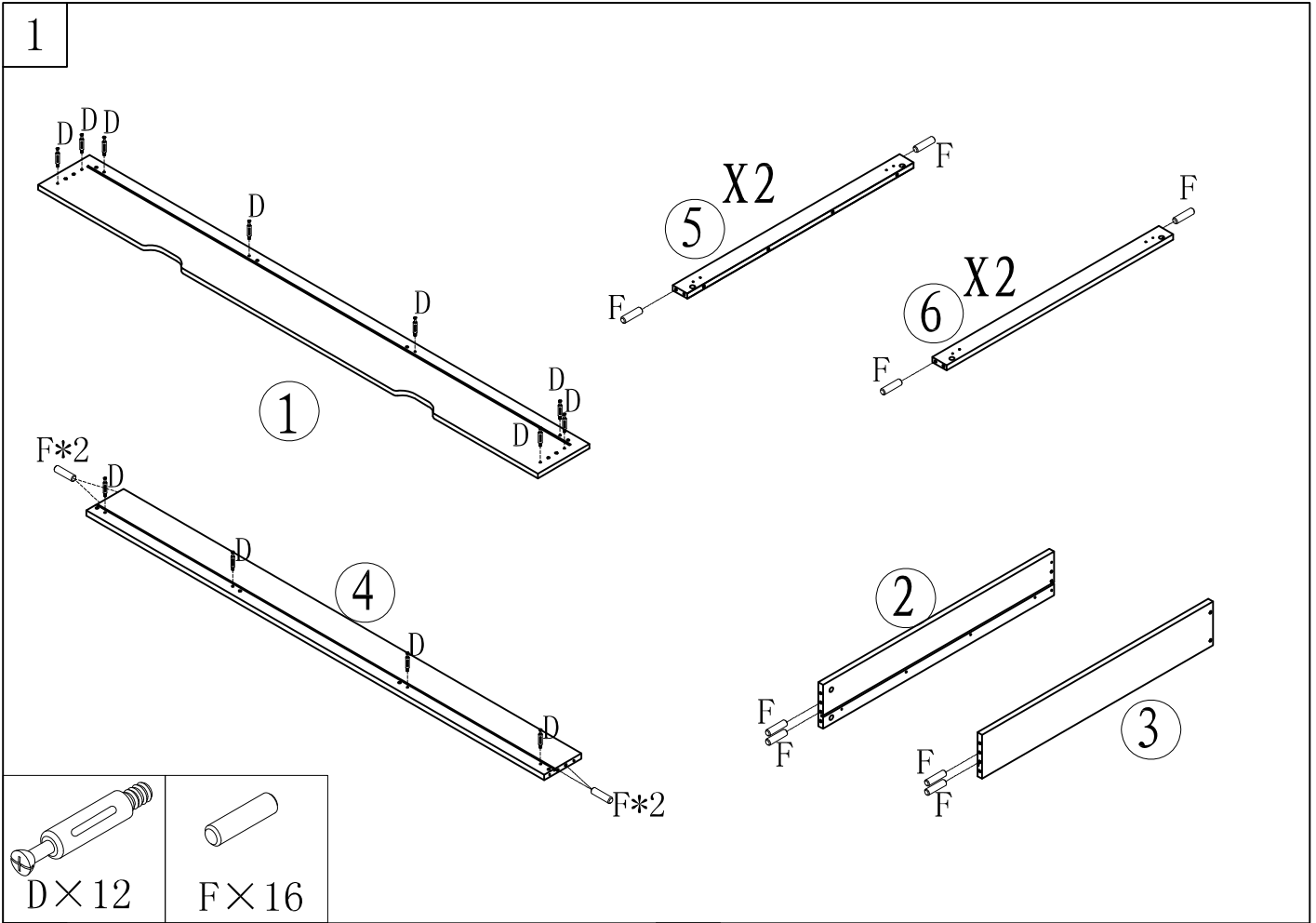
E × 12
(D15)



F × 16
(D8 × 30)



G × 2
(L=1899)



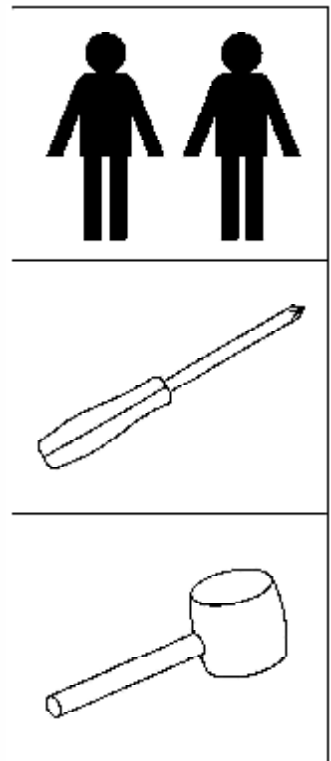
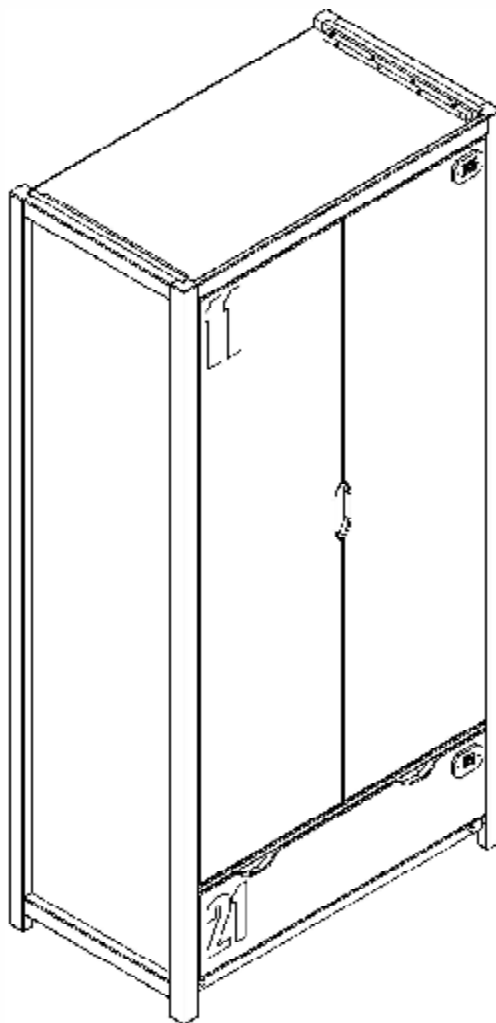


VIPACK
FURNITURE

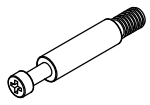
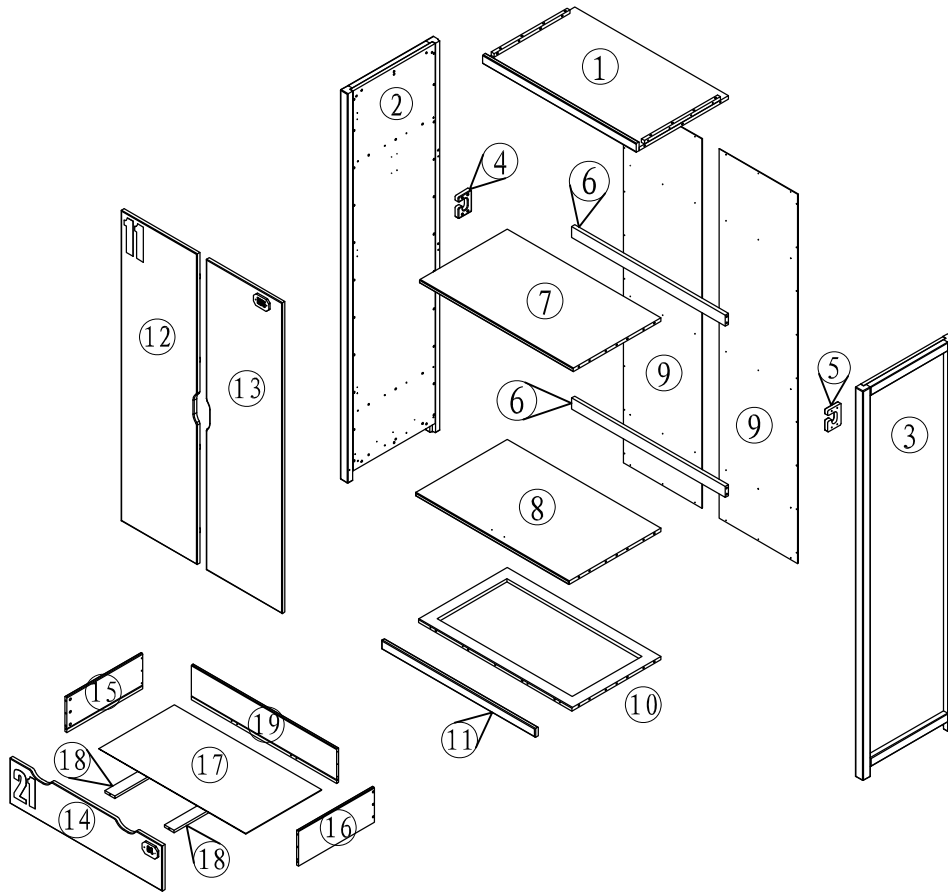
Deken Debostraat 70a B-8791 Beveren-Leie

ALEX 2 DOOR WARDROBE AXKL1219

MONTAGE AANWIJZING
NOTICE DE MONTAGE
MONTAGE ANLEITUNG
ASSEMBLY INSTRUCTIONS



BD00288-2



($\varnothing 15$)

A \times 35



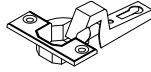
($\varnothing 15$)

B \times 35



($\varnothing 8 \times 30\text{mm}$)

C \times 32



D \times 6



E \times 6



($\varnothing 3.5 \times 15\text{mm}$)

F \times 36

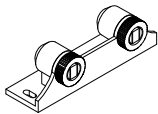


($\varnothing 3.5 \times 15\text{mm}$)

G \times 14



H \times 4



I \times 2



($\varnothing 3.0 \times 12\text{mm}$)

J \times 4



($\varnothing 3.0 \times 12\text{mm}$)

K \times 4



($\varnothing 6 \times \varnothing 18$)

L \times 1



($\varnothing 4 \times \varnothing 9$)

M \times 1



(L=1858mm)

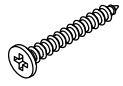
N \times 1



O \times 1



P \times 1



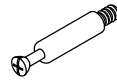
($\varnothing 3.5 \times 30\text{mm}$)

Q \times 17



($\varnothing 3.0 \times 15\text{mm}$)

R \times 48



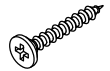
($\varnothing 12$)

S \times 8



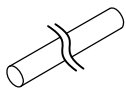
($\varnothing 12$)

T \times 8



($\varnothing 3.5 \times 25\text{mm}$)

U \times 10



(L=906mm)

V \times 1



W \times 1



X \times 1

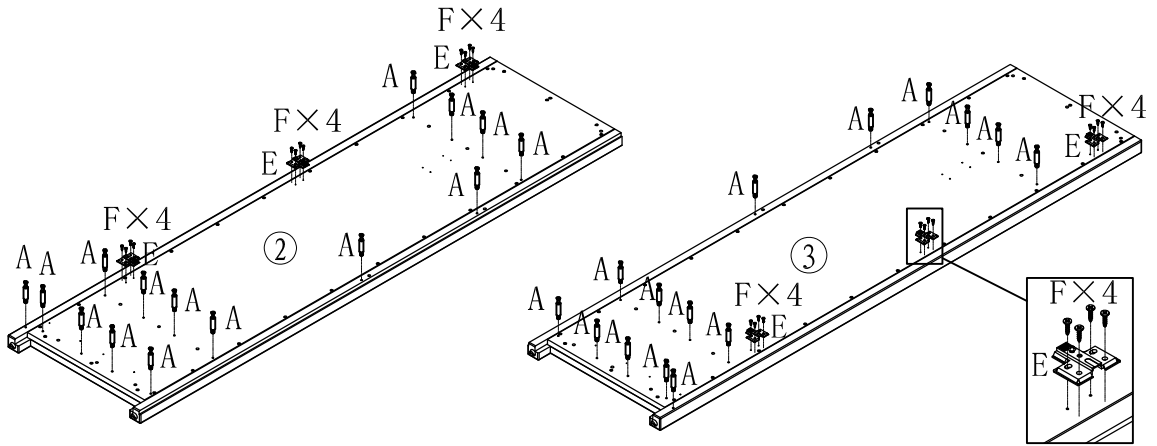



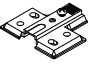

Y \times 1



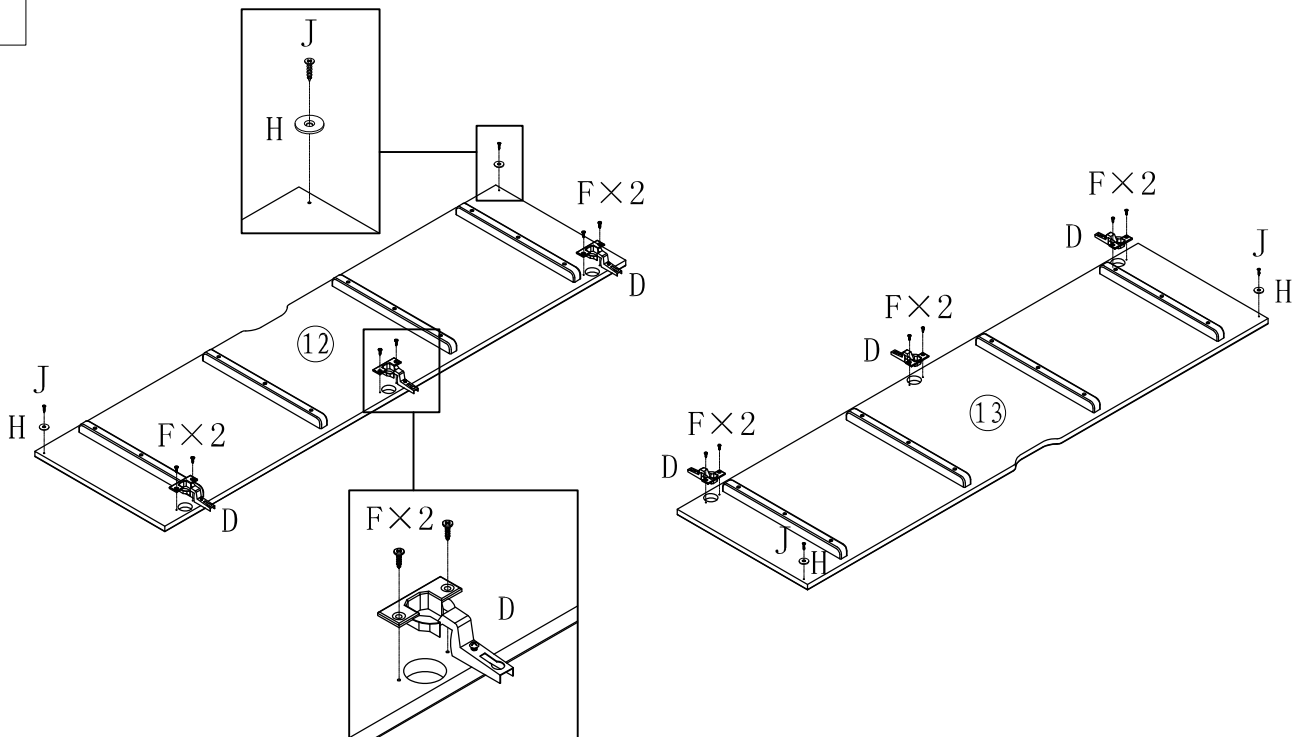
Z \times 1

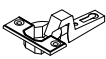


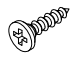
1



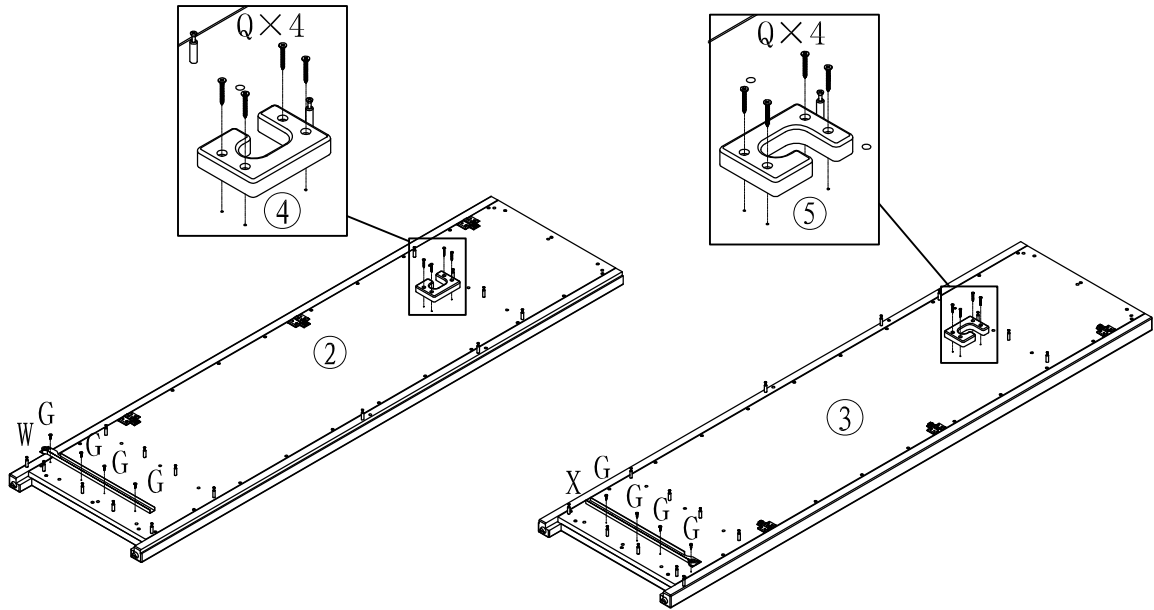
		
A*30	E*6	F*24

2

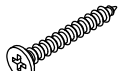


			
D*6	F*12	H*4	J*4

3



G*8



Q*8

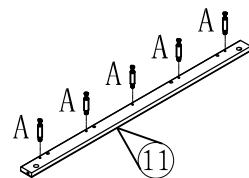
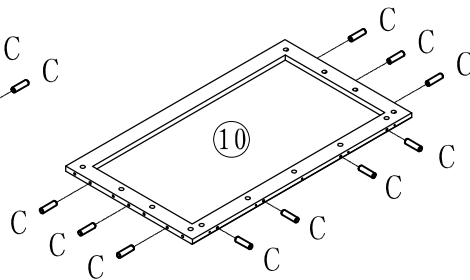
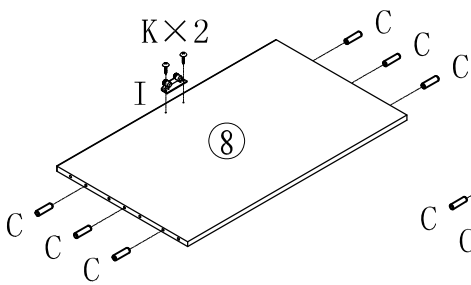
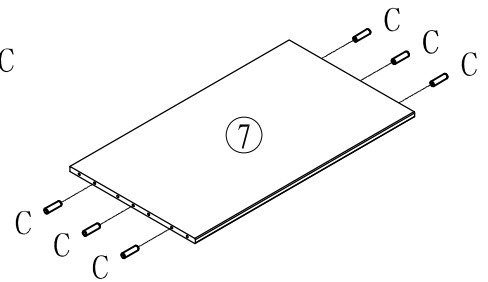
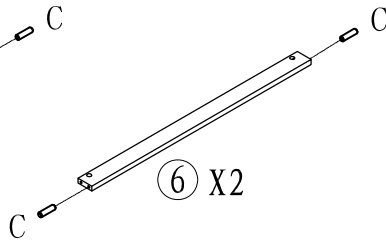
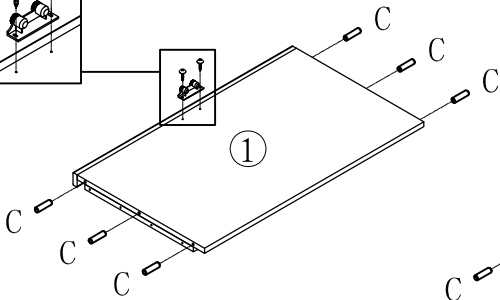
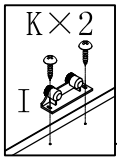


W*1

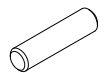


X*1

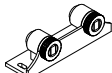
4



A*5



C*32

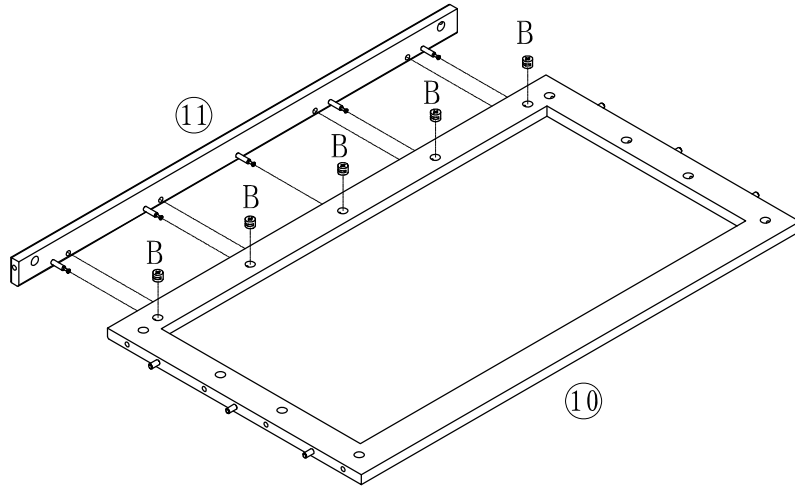


I*2



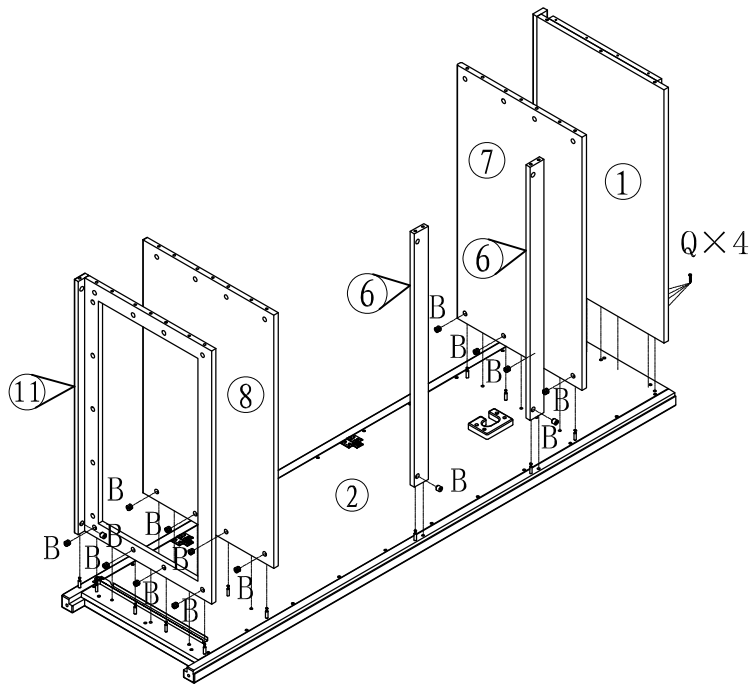
K*4

5



B*5

6

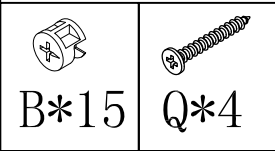
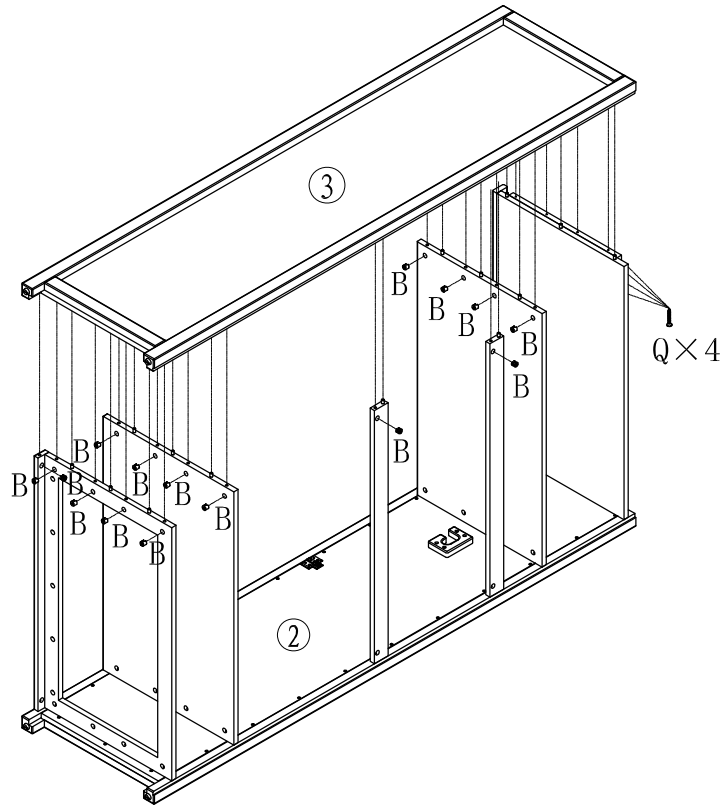


B*15

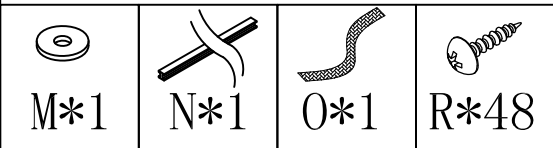
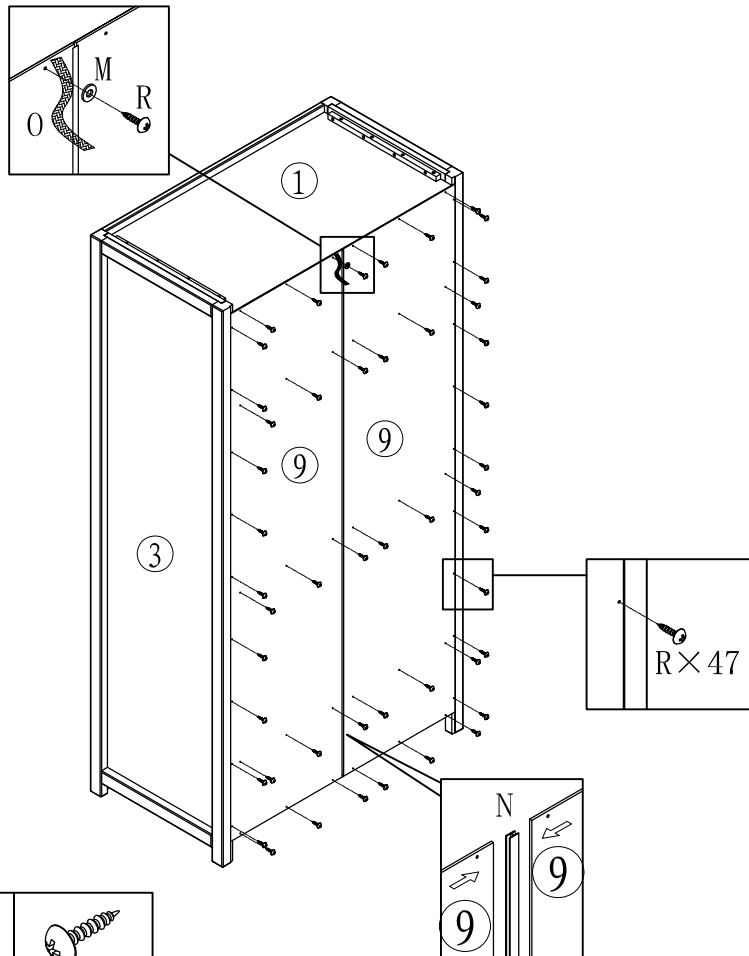


Q*4

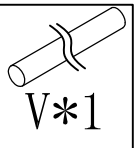
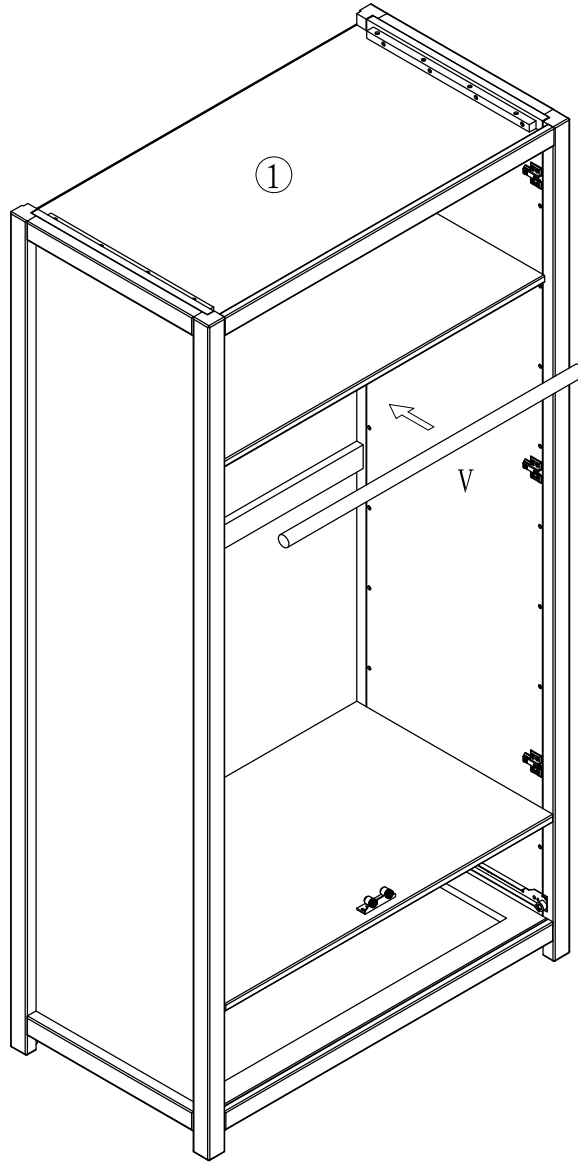
7



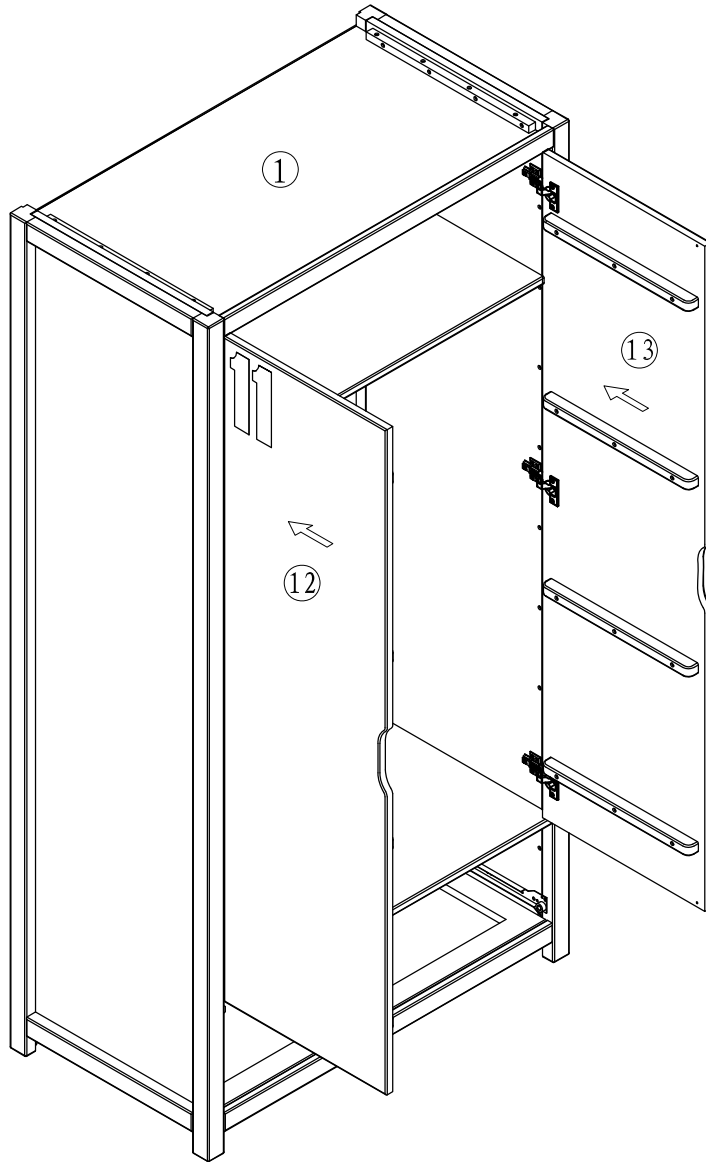
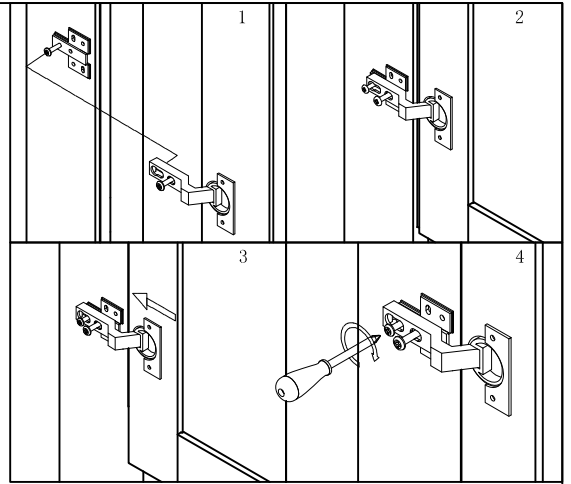
8



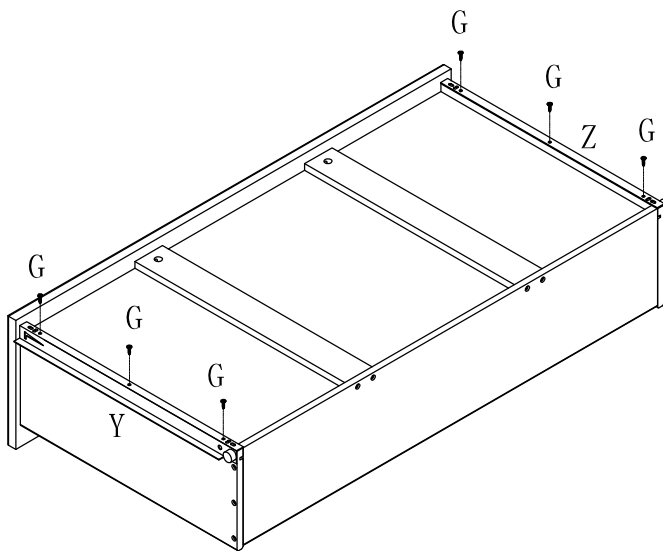
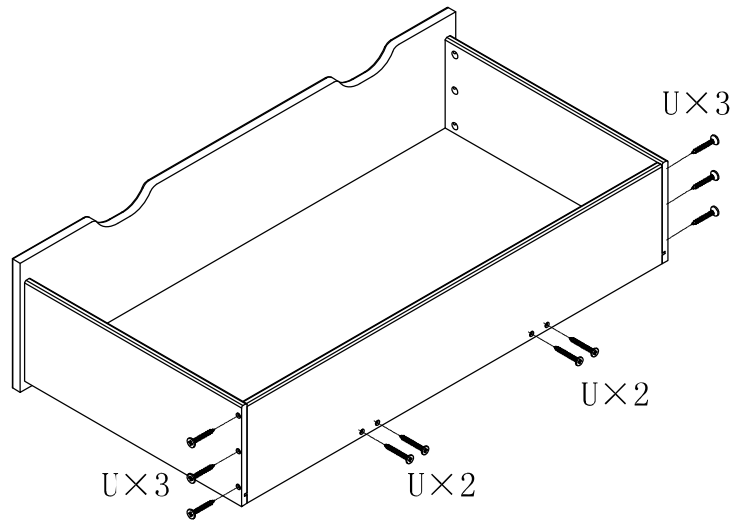
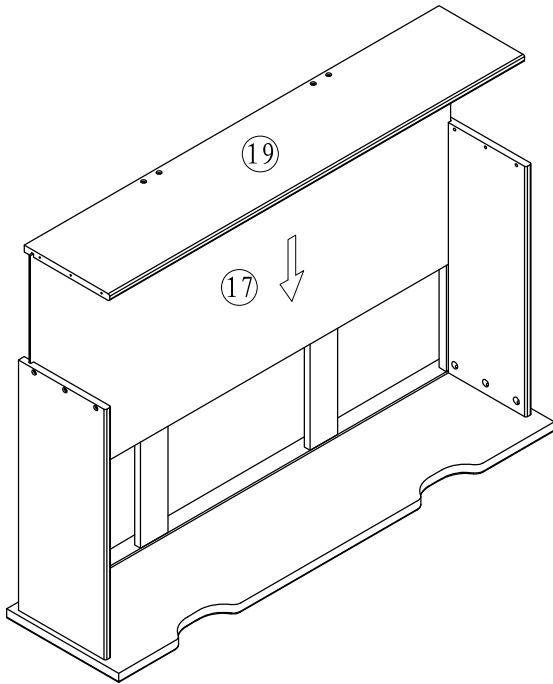
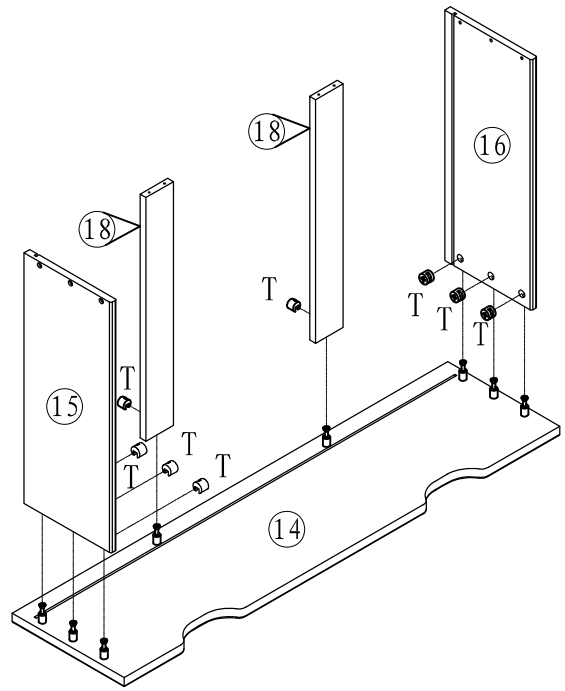
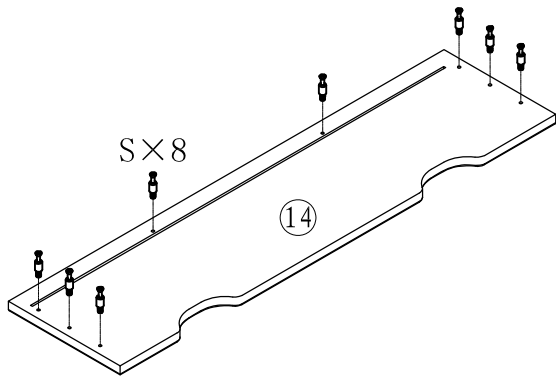
9

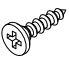
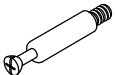

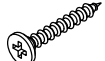




10

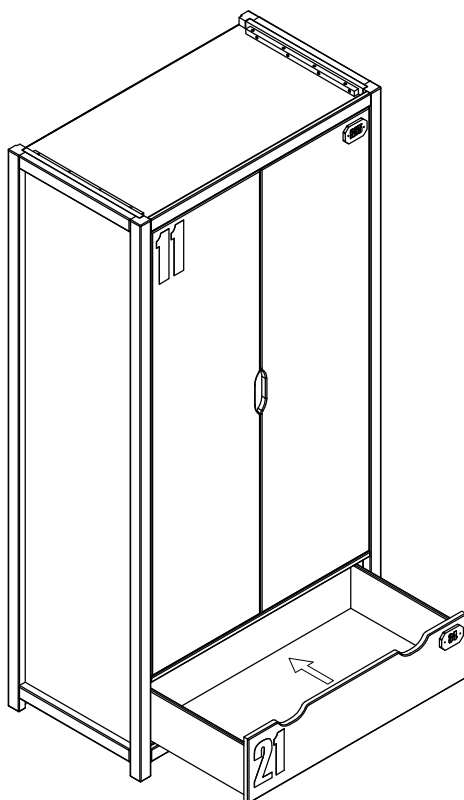


11

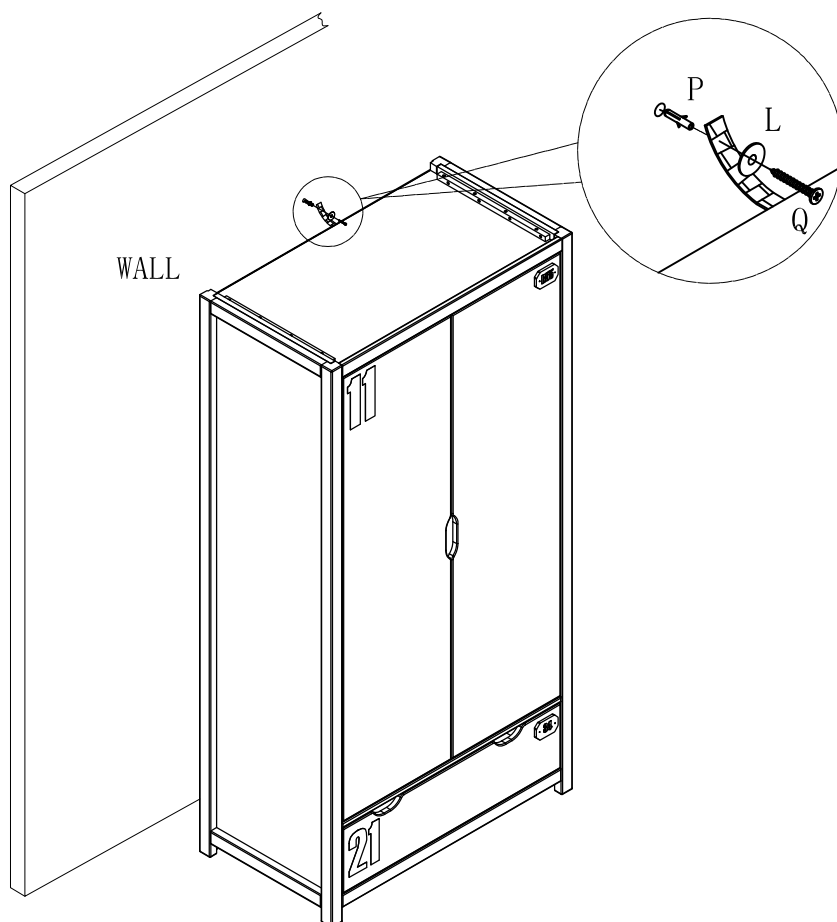


					
G*6	S*8	T*8	U*10	Y*1	Z*1

12



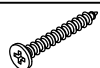
13



L*1



P*1



Q*1

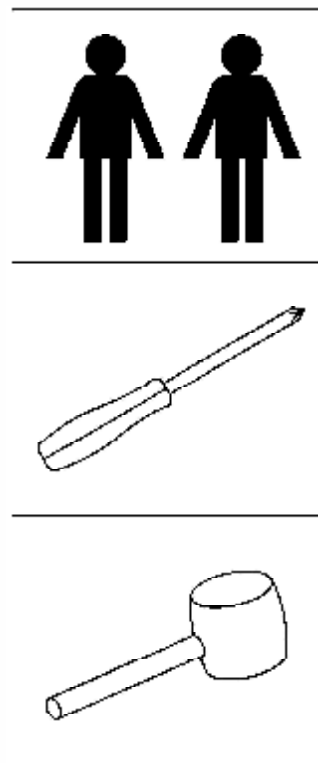
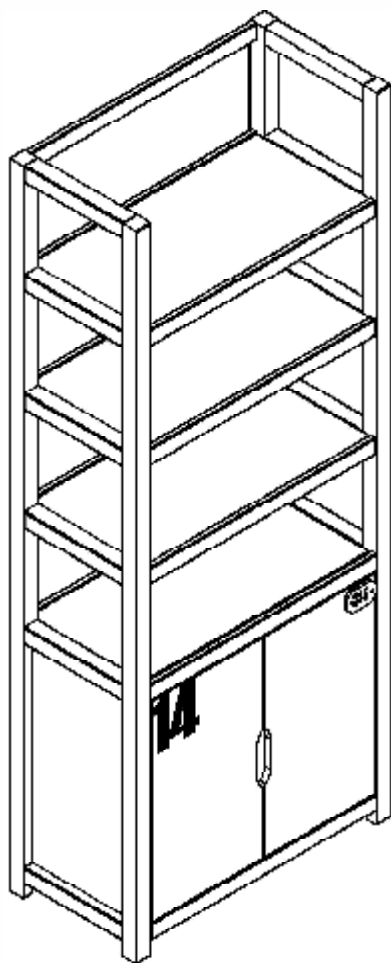


VIPACK
FURNITURE

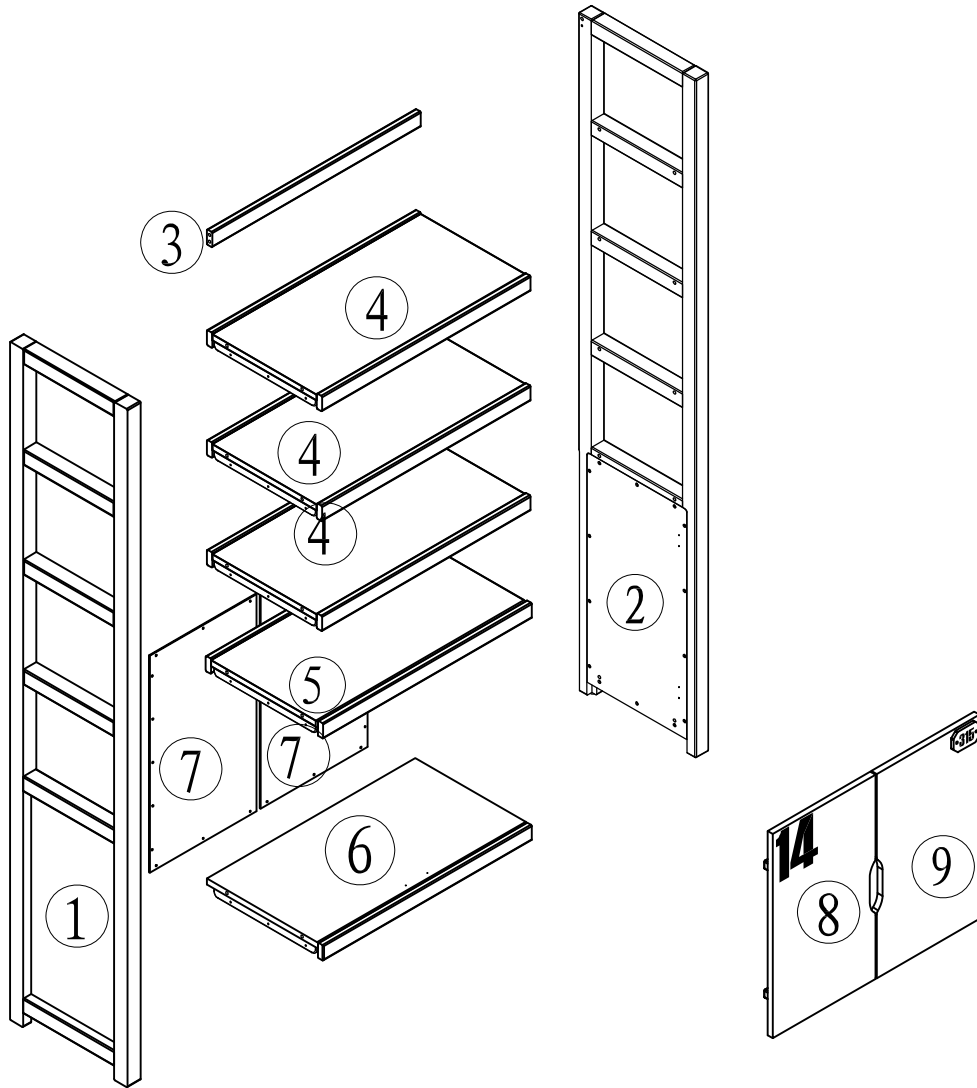
Deken Debostraat 70a B-8791 Beveren-Leie

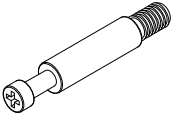

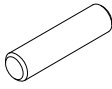
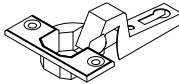
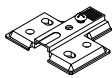
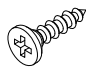

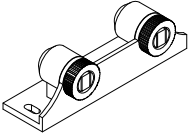
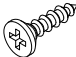
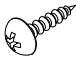




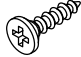
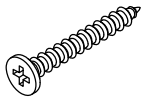
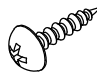
ALEX BOOKCASE AXBI2219

MONTAGE AANWIJZING
NOTICE DE MONTAGE
MONTAGE ANLEITUNG
ASSEMBLY INSTRUCTIONS

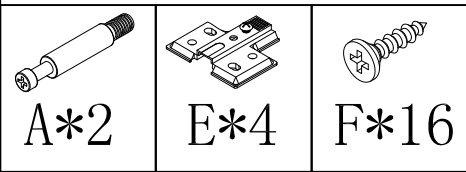
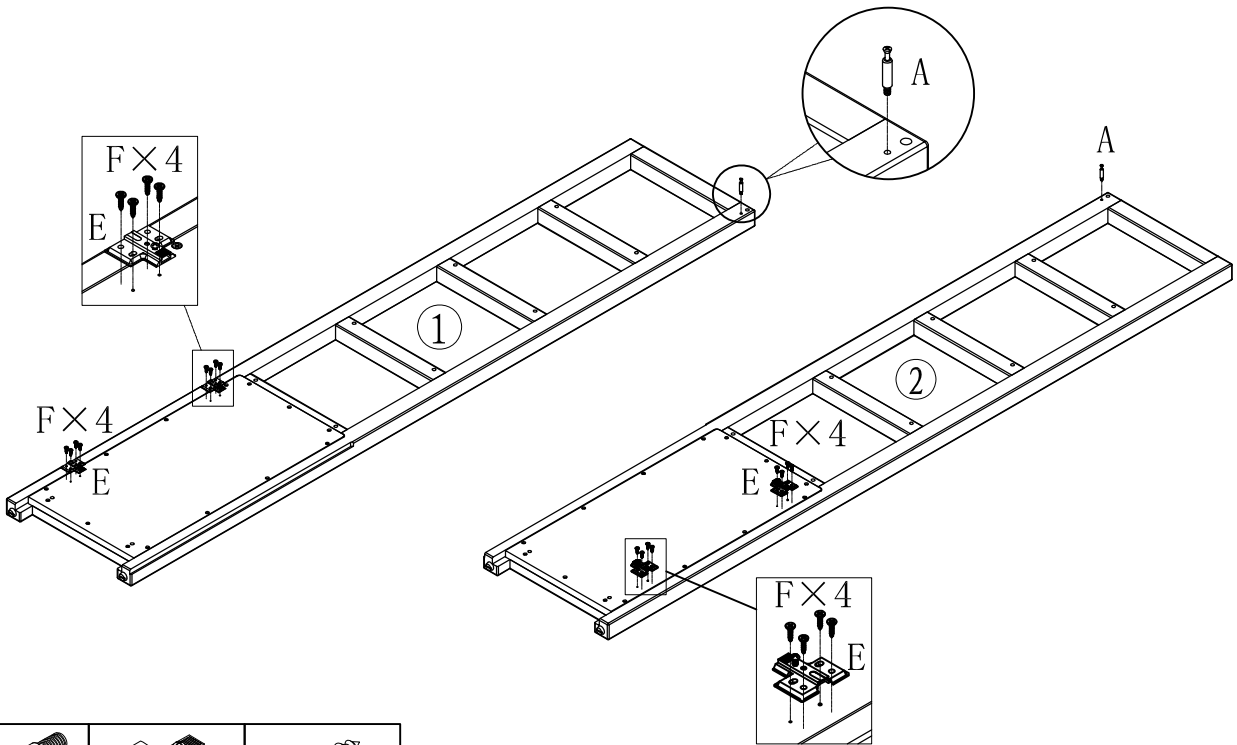


RB00174-1

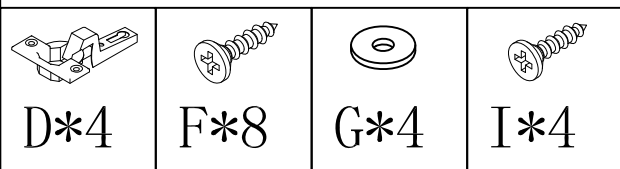
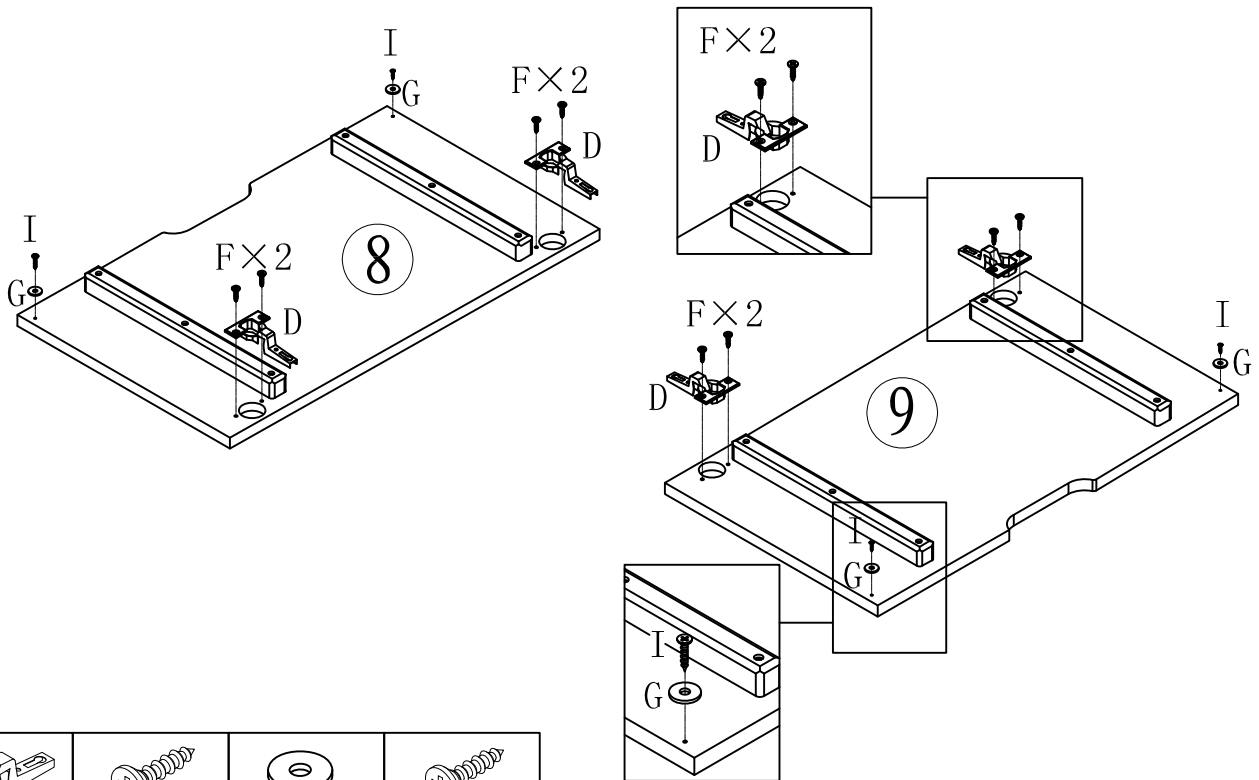


					
($\varnothing 15$)	($\varnothing 15$)	($\varnothing 8 \times 30\text{mm}$)			($\varnothing 3.5 \times 15\text{mm}$)
A \times 2	B \times 2	C \times 22	D \times 4	E \times 4	F \times 24
					
G \times 4	H \times 2	($\varnothing 3.0 \times 12\text{mm}$)	($\varnothing 3.0 \times 12\text{mm}$)	($\varnothing 6 \times \varnothing 18$)	(L=608mm)
		I \times 4	J \times 4	K \times 2	L \times 1
					
M \times 1	N \times 1	($\varnothing 3.5 \times 15\text{mm}$)	($\varnothing 3.5 \times 30\text{mm}$)	($\varnothing 3.0 \times 15\text{mm}$)	
		O \times 1	P \times 31	Q \times 22	

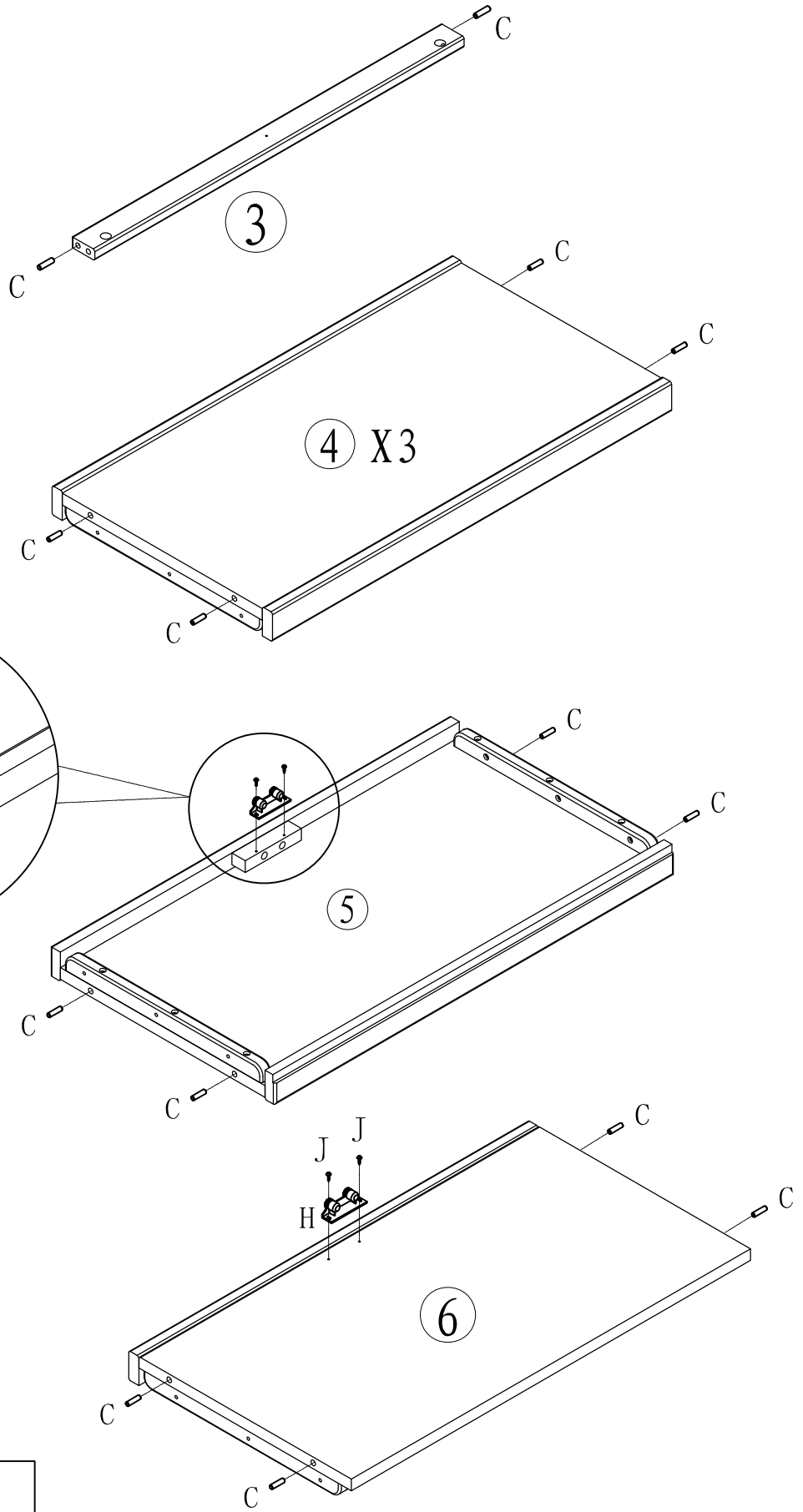
1

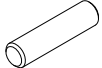
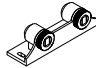



2

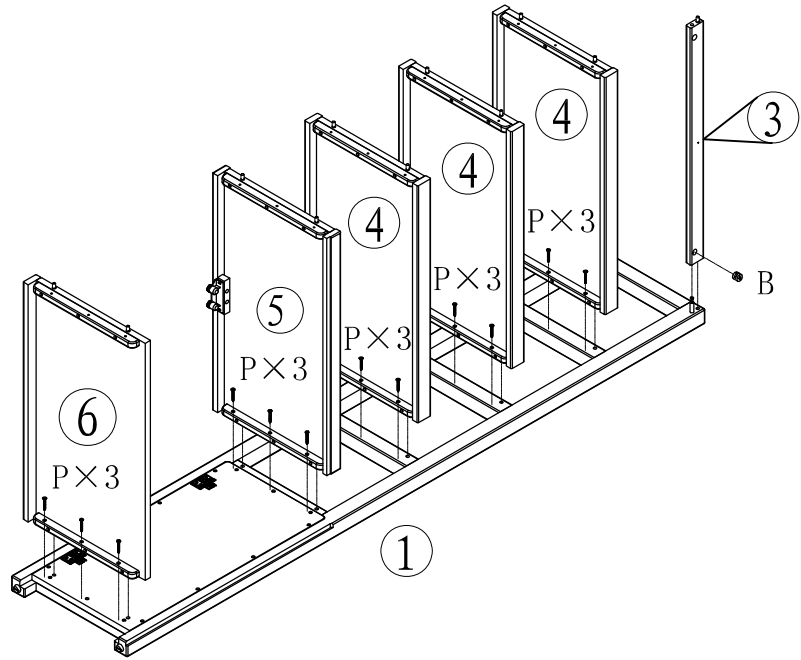


3

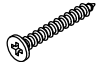


		
C*22	H*2	J*4

4

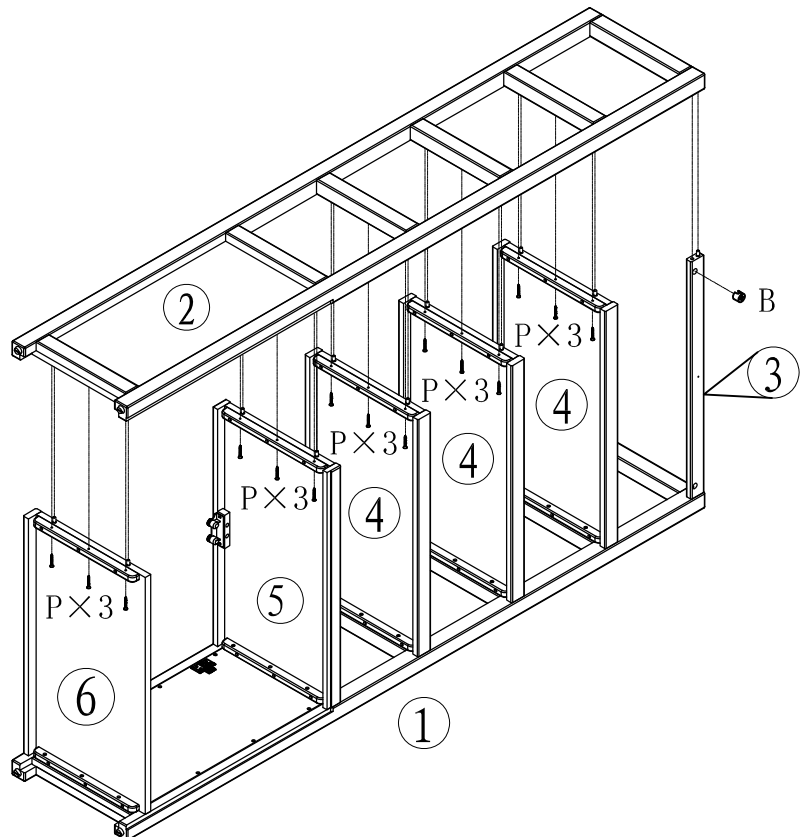


B*1

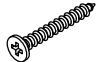


P*15

5

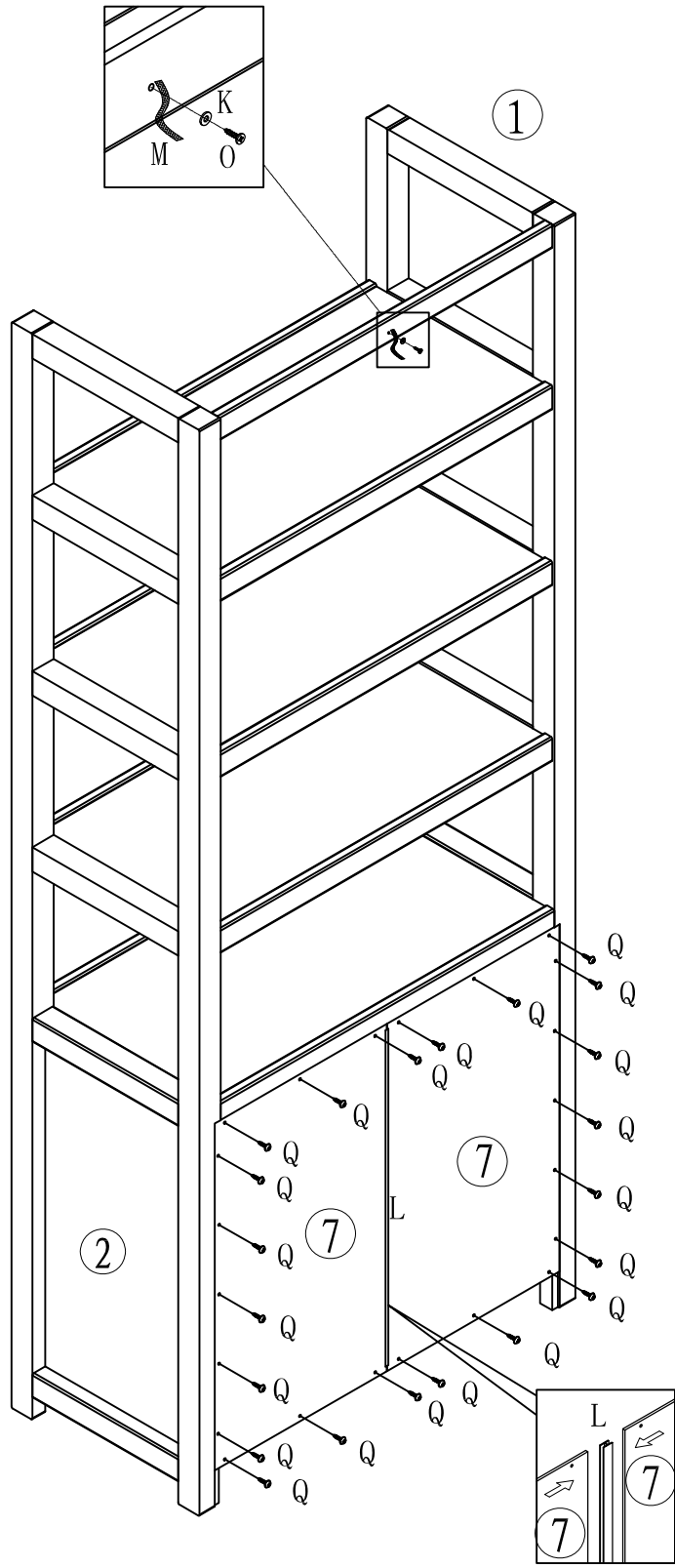




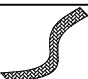


B*1



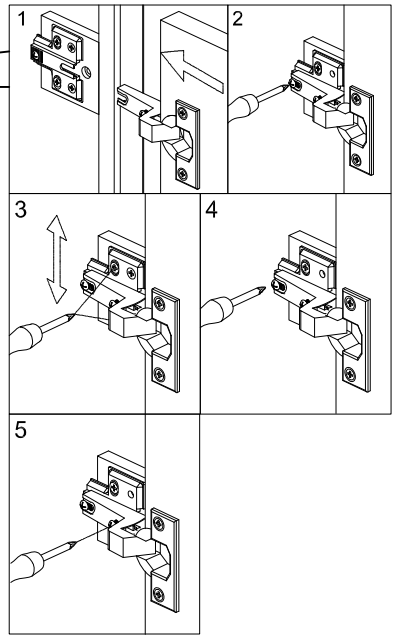
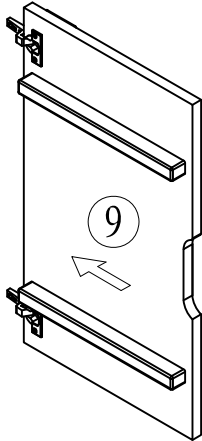
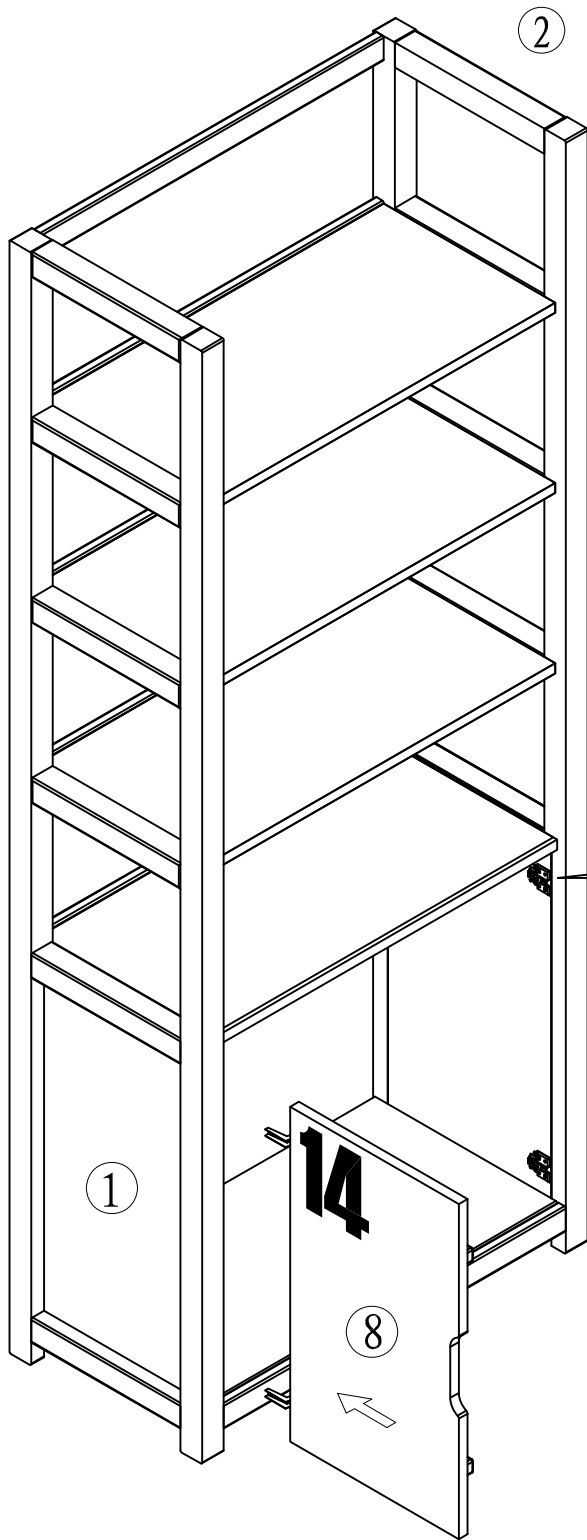
P*15

6

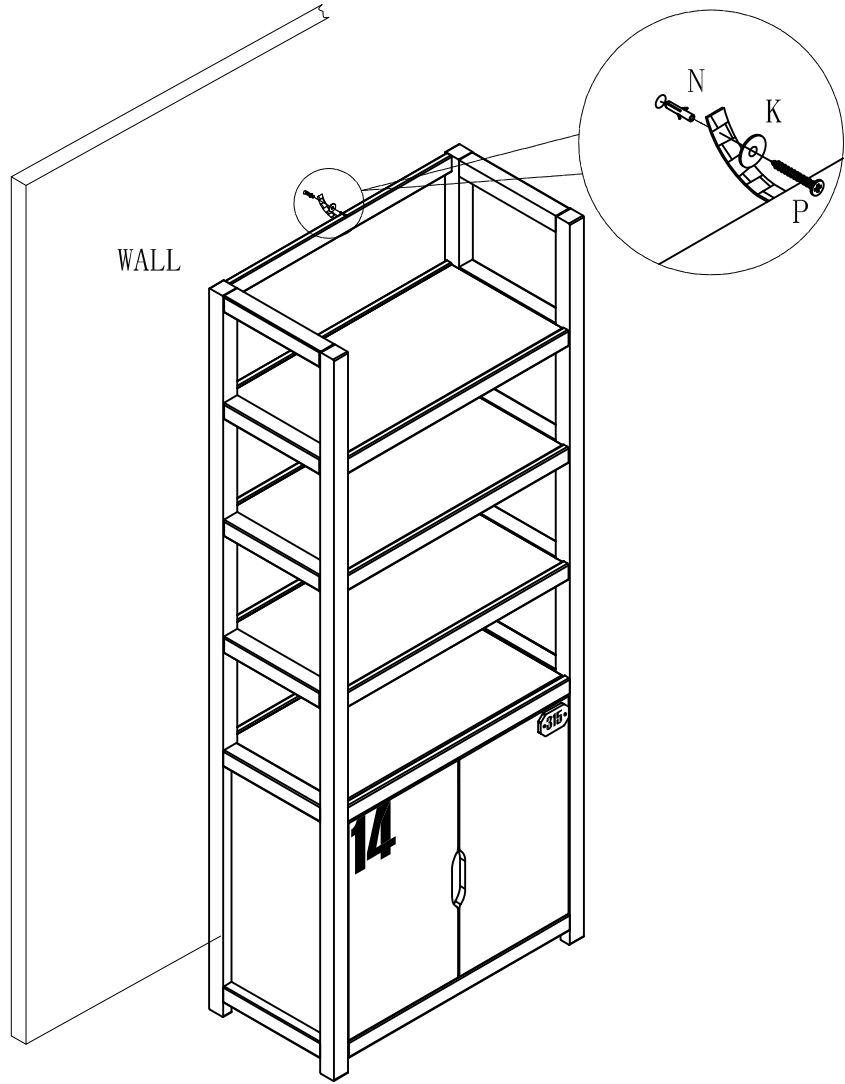


 K*1	 L*1	 M*1	 O*1	 Q*22
--	--	--	--	---

7



8



K*1



N*1



P*1