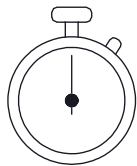
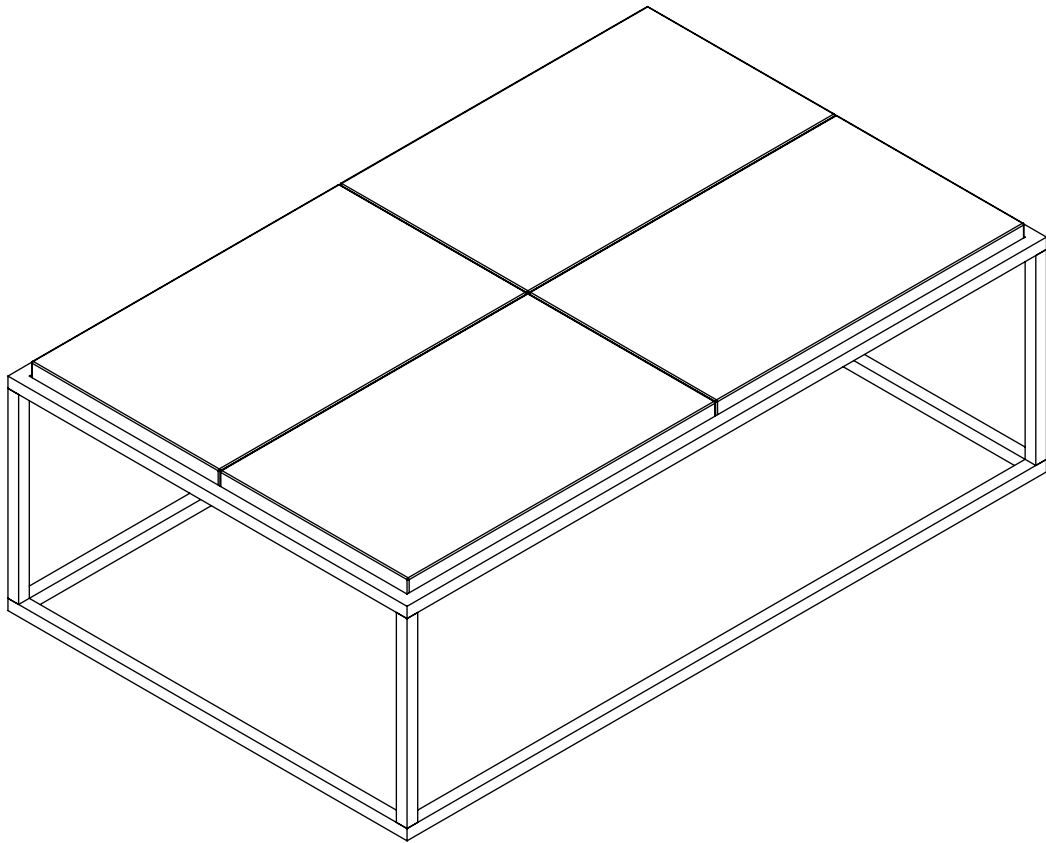


# DOURO



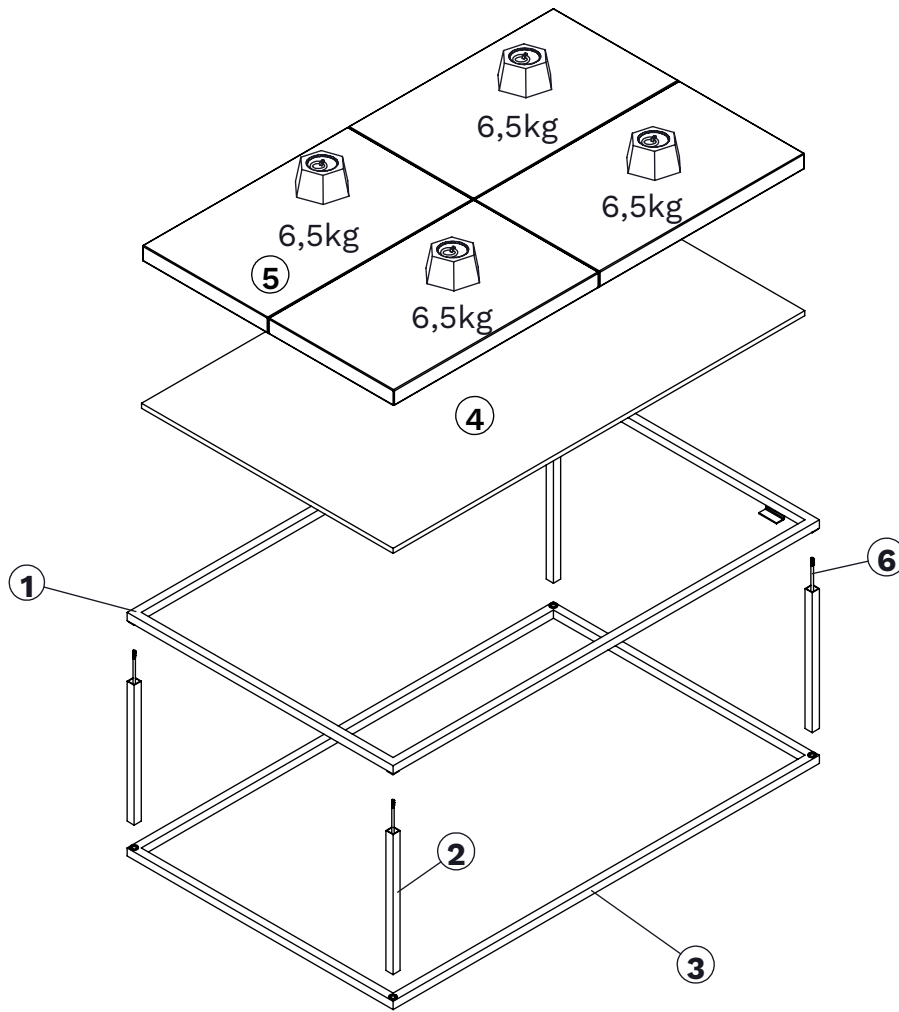
0 : 20




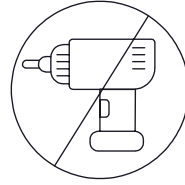
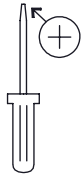
x 1



**TEMAHOME**  
welcome vibrations



○	x	mm	
1	1	1196 x 746 x 20	1
2	4	340 x 20 x 20	1
3	1	1196 x 746 x 30	1
4	1	1155 x 705 x 12	1
5	4	576 x 352 x 38	1
6	4	355 x Ø6	1



UTD x 4

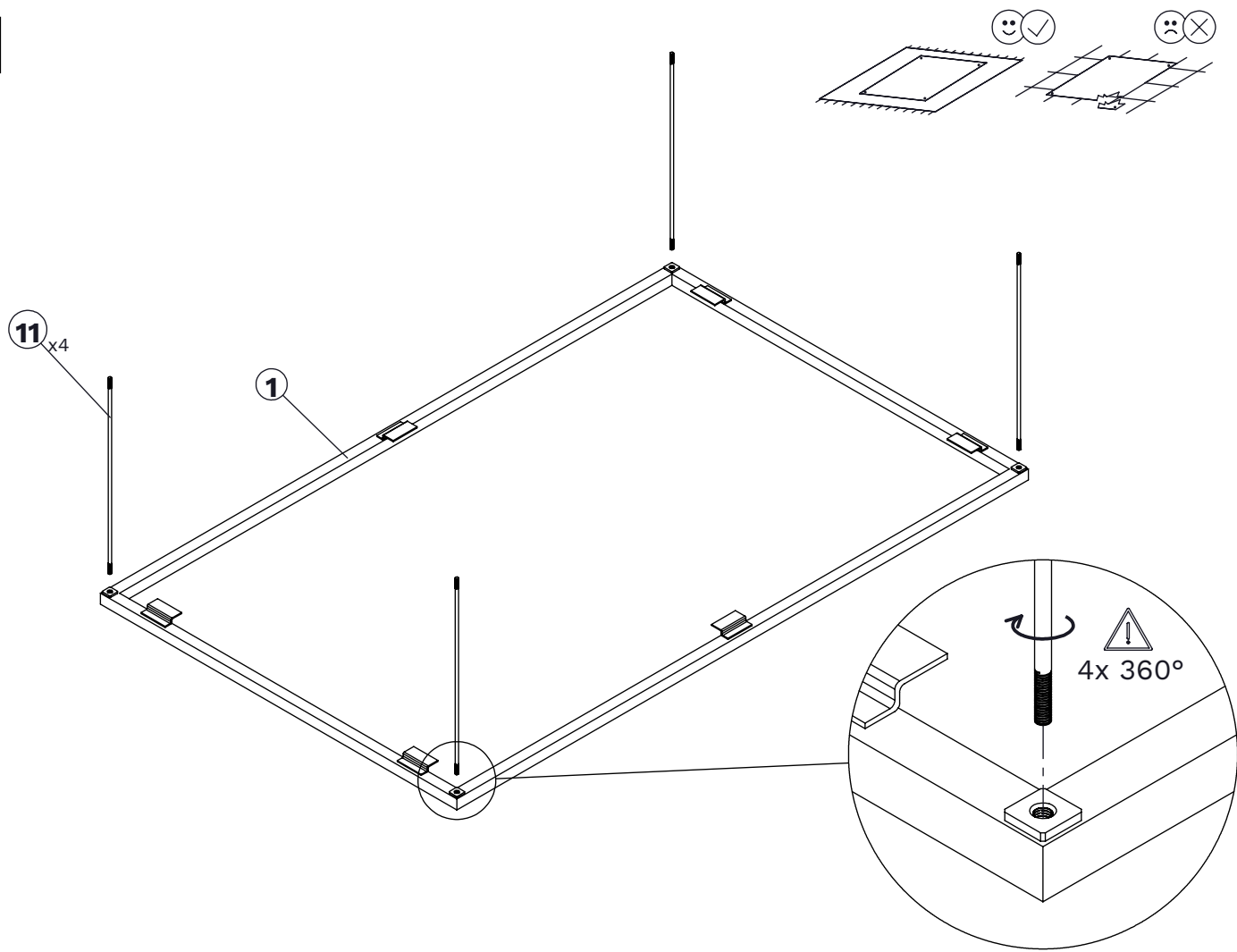


KJ x 1

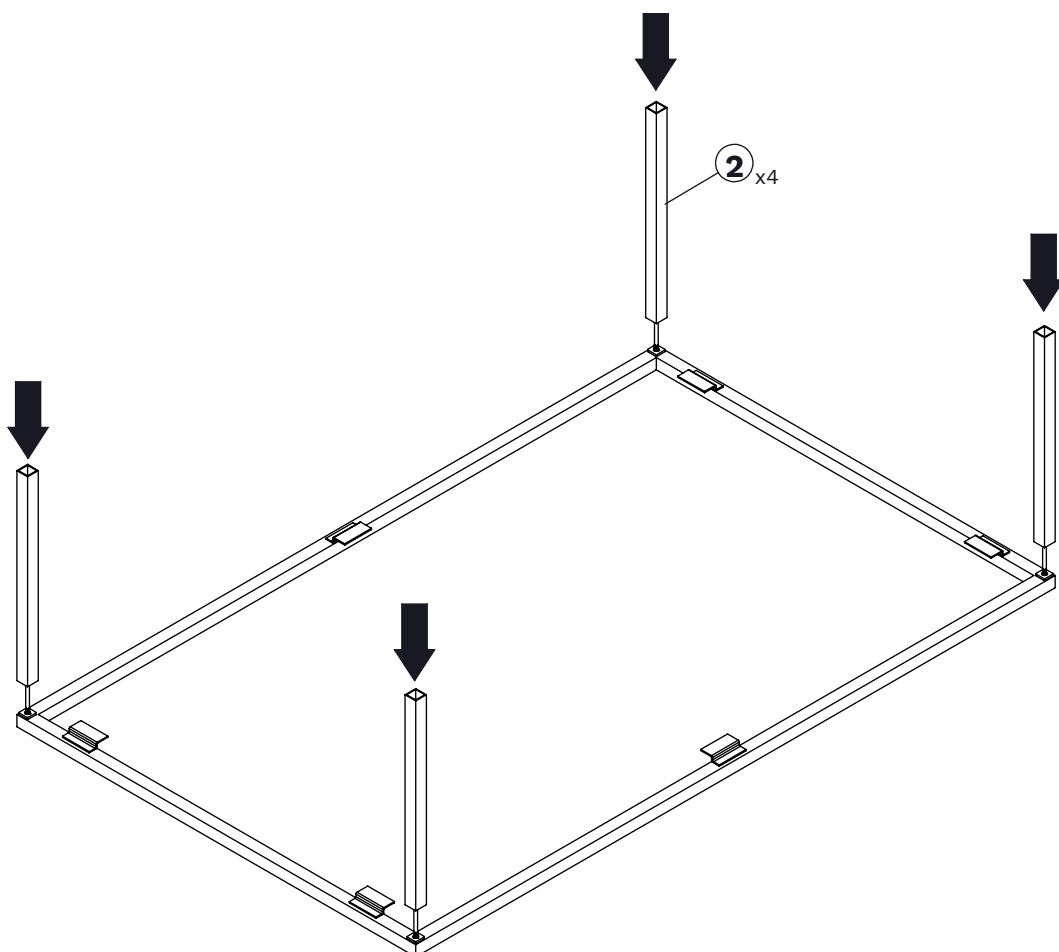


EFC x 4

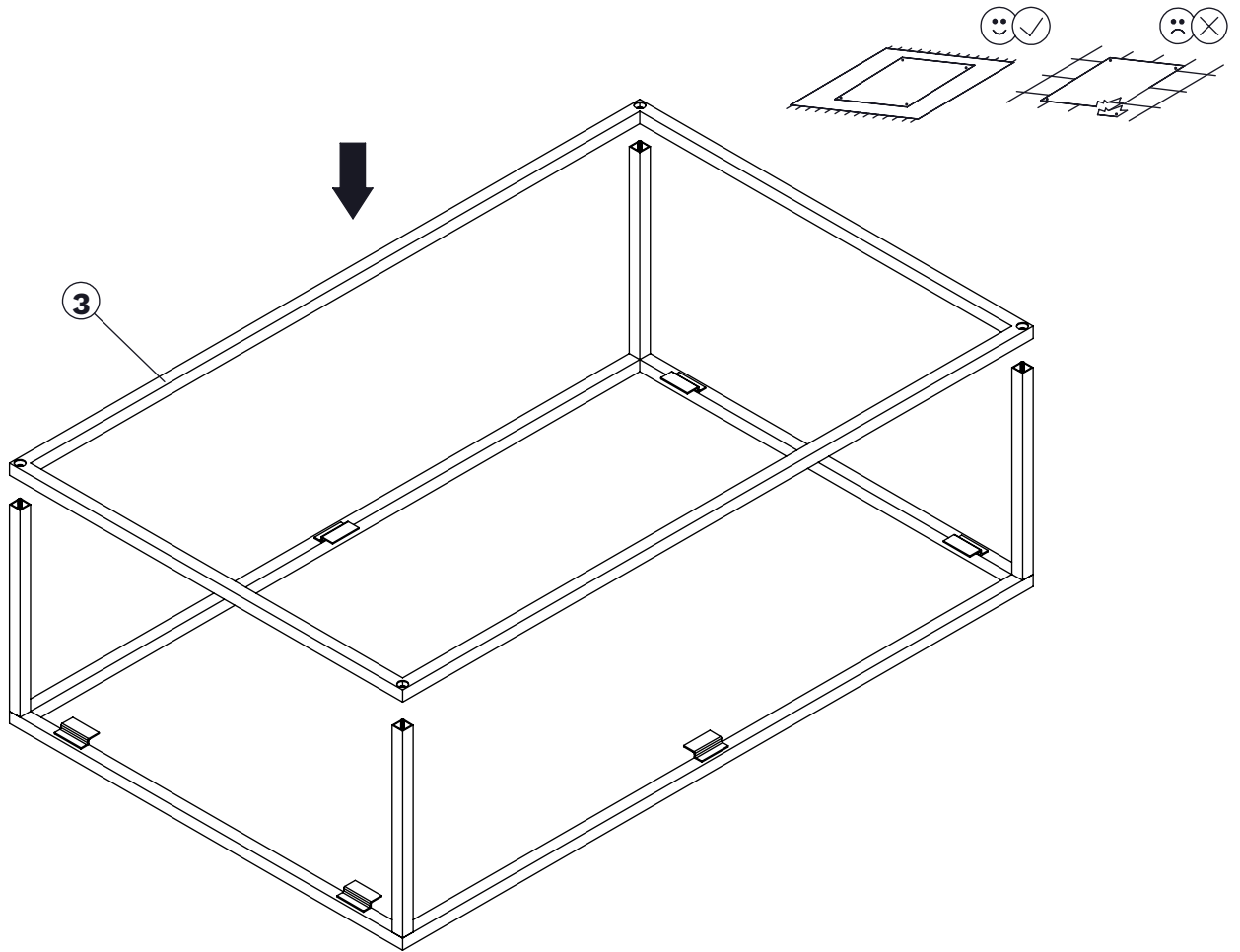
# 1



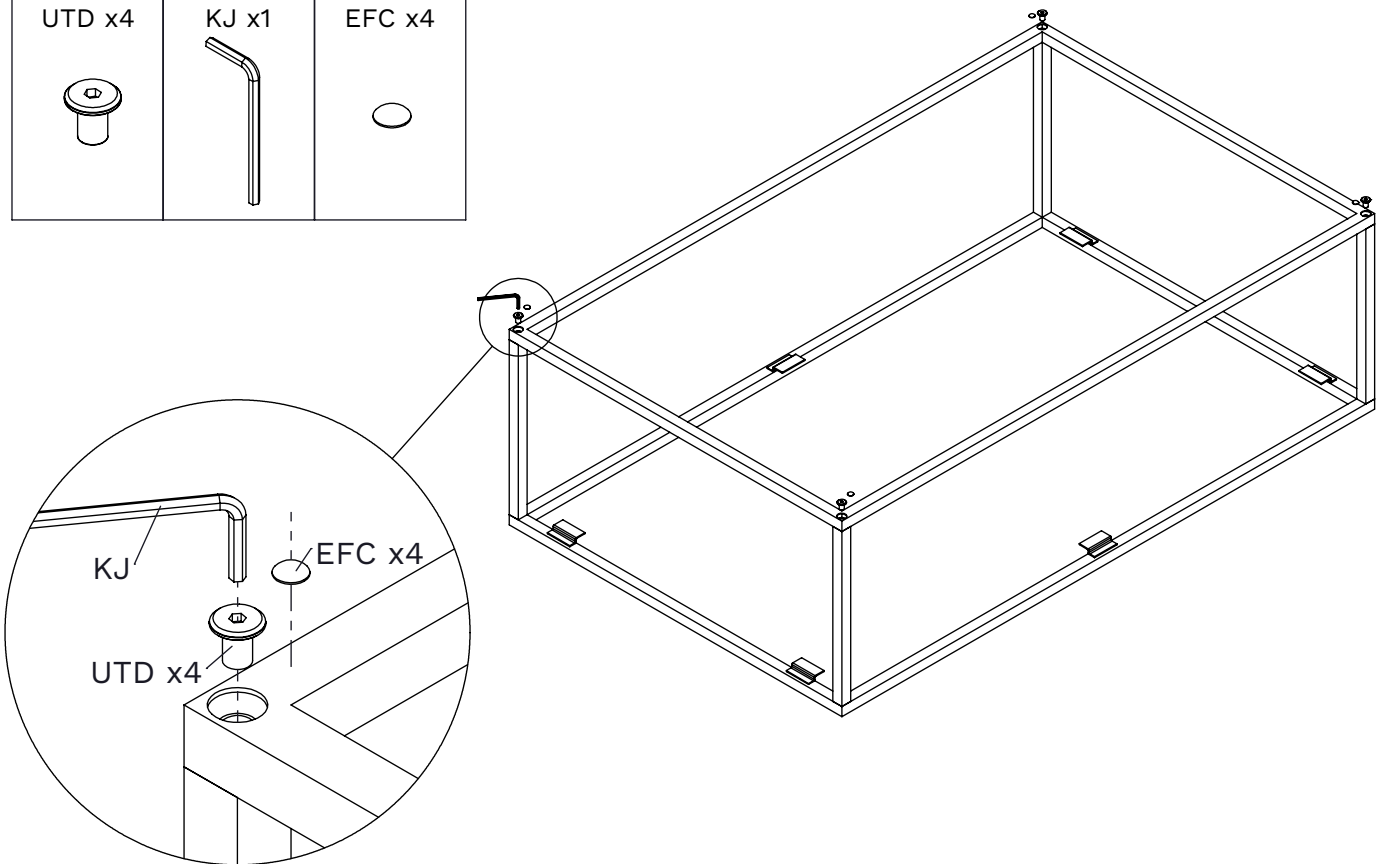
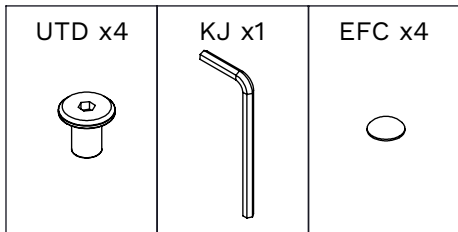
# 2



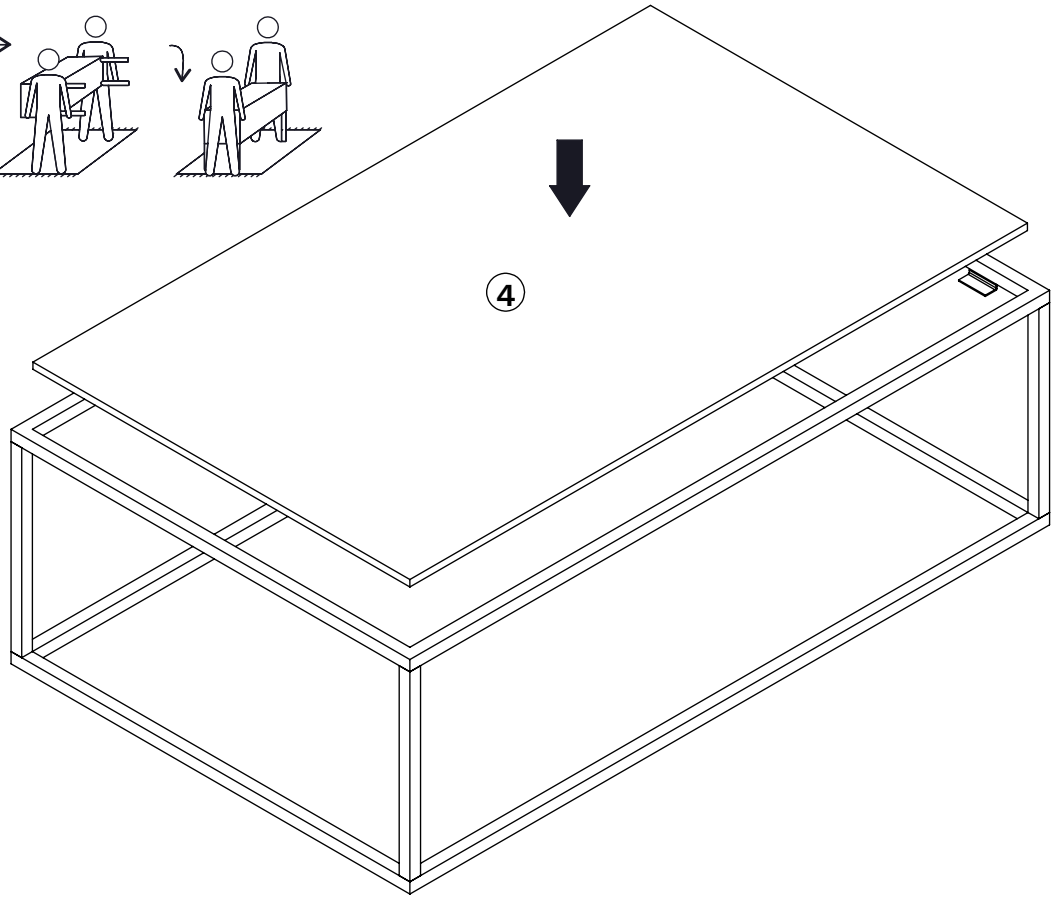
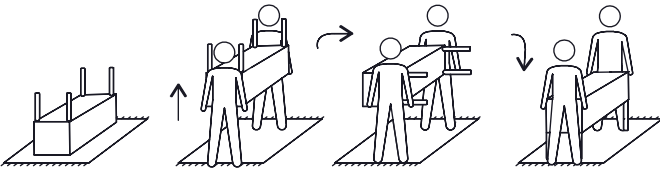
# 3



# 4



5



6

