



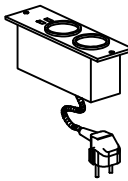

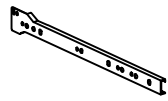

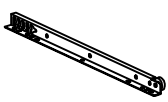

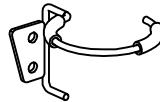
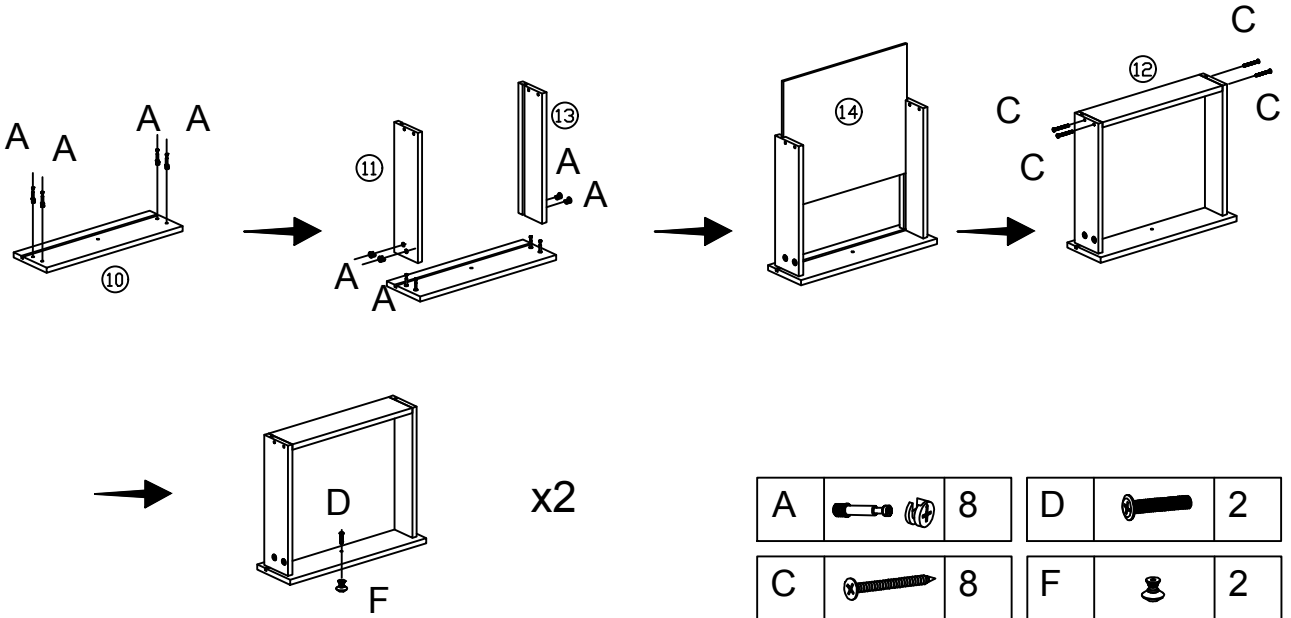
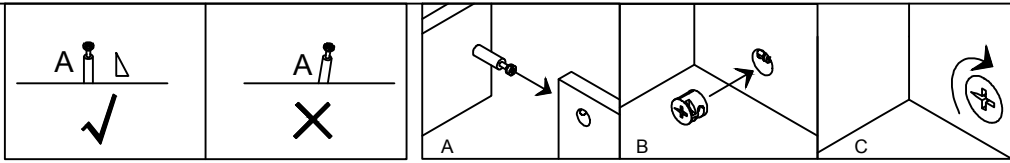
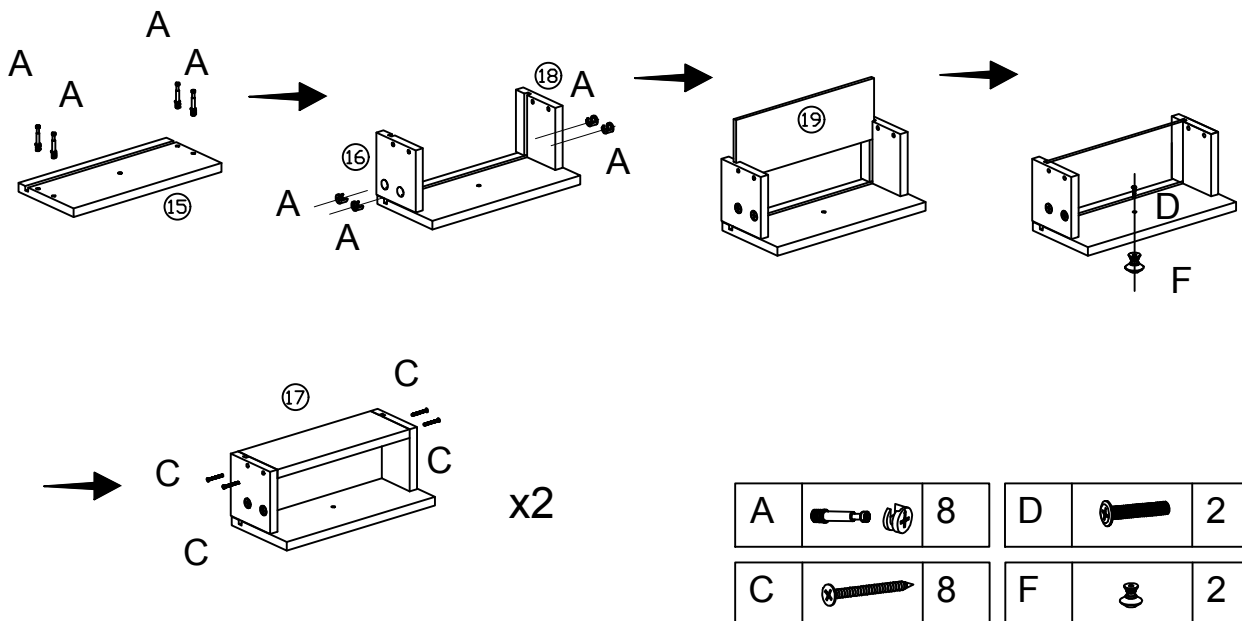
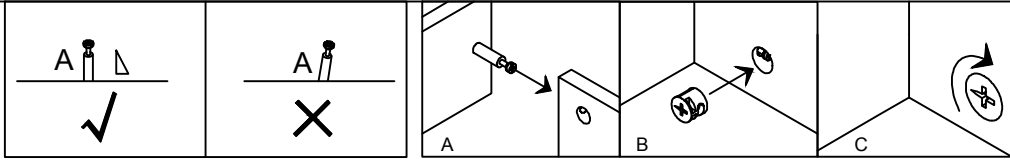


<p>A</p>  <p>30PCS</p>	<p>B</p>  <p>Ø4.2x10 20PCS</p>	<p>C</p>  <p>Ø4.2x30 45PCS</p>	<p>D</p>  <p>M4X16 4PCS</p>
<p>E</p>  <p>1PC</p>	<p>F</p>  <p>4PCS</p>	<p>CR</p>  <p>2PCS</p>	<p>DR</p>  <p>2PCS</p>
<p>DL</p>  <p>2PCS</p>	<p>CL</p>  <p>2PCS</p>	<p>G</p>  <p>1PCS</p>	

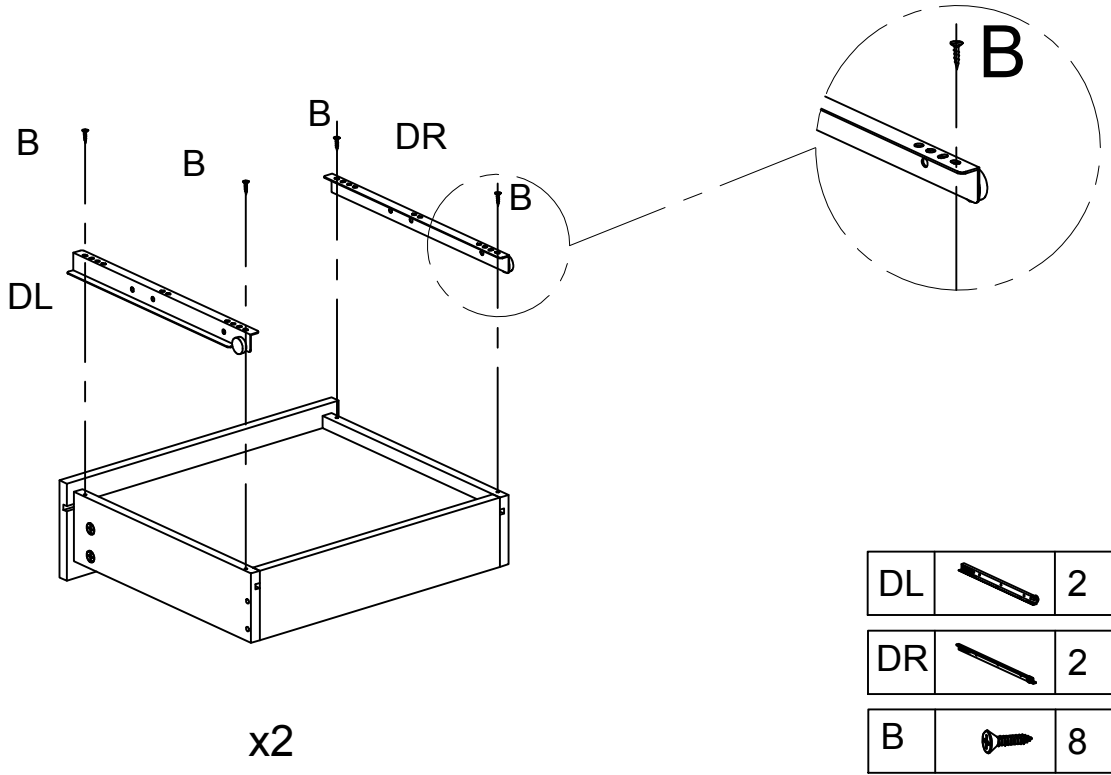
## 1



## 2

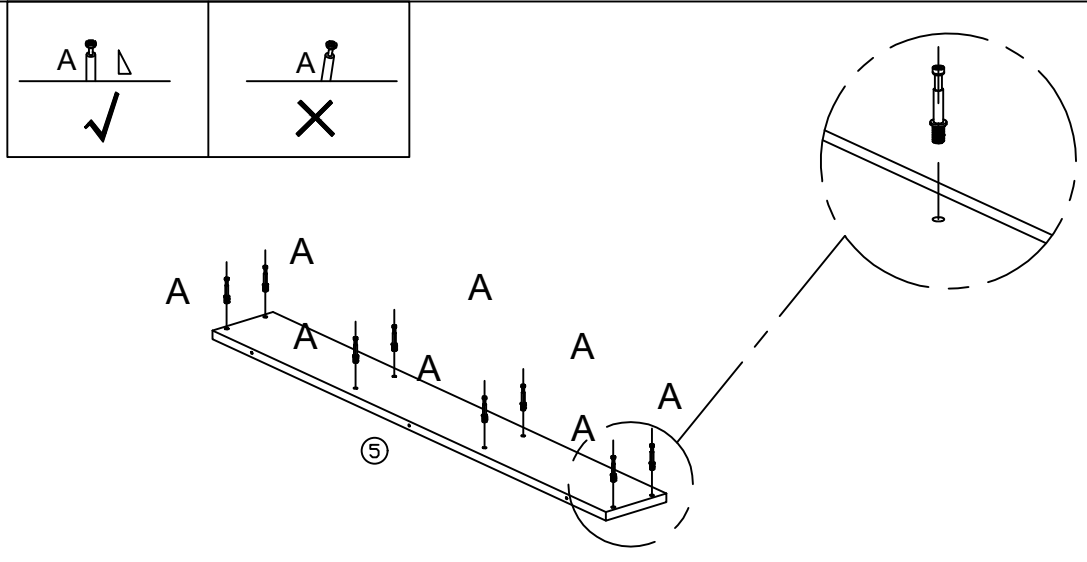


3



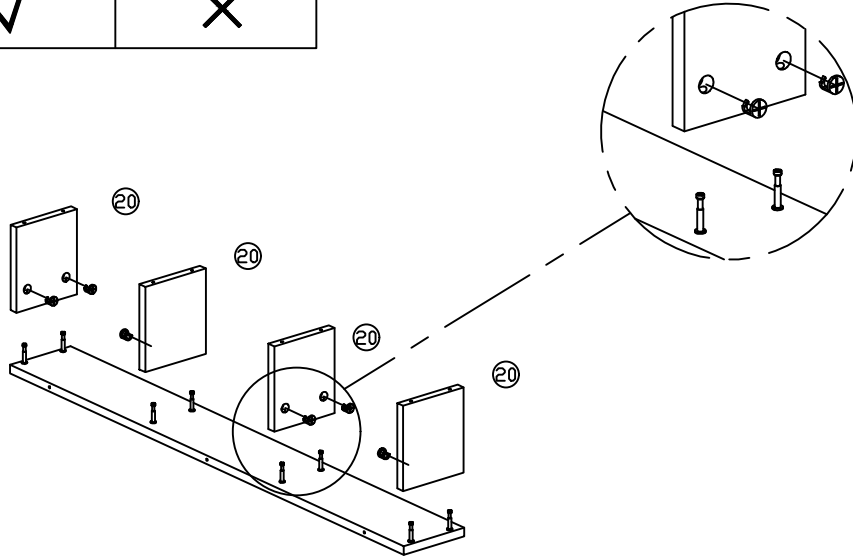
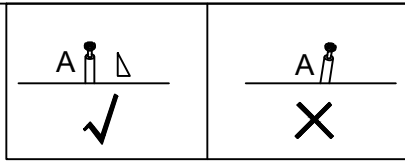
DL		2
DR		2
B		8

4



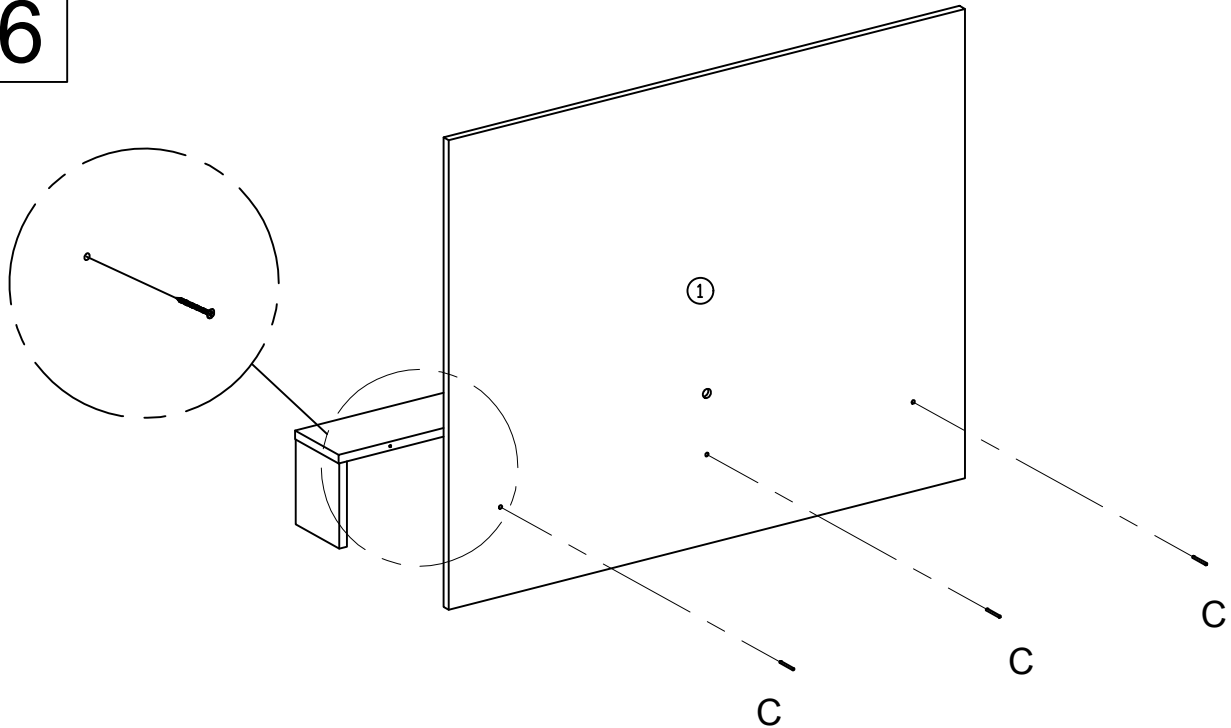
A		8
---	--	---

5



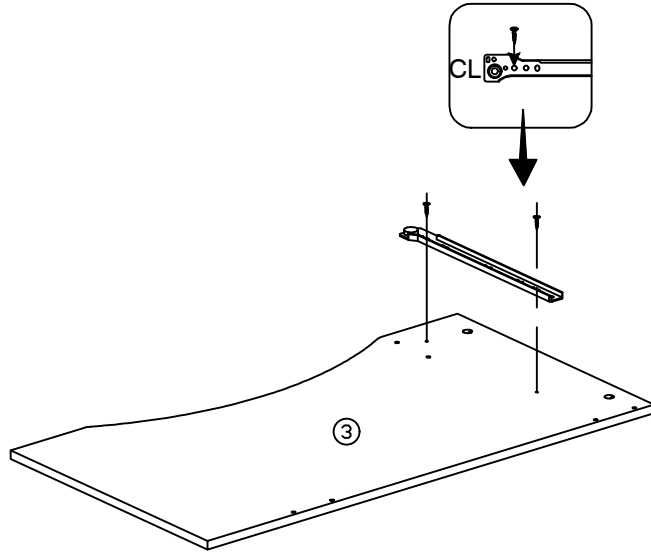
A		8
---	--	---



6



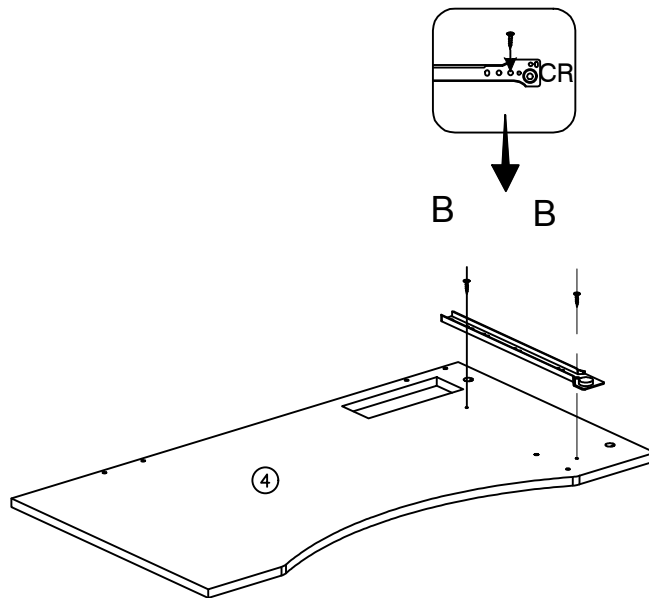
C		3
---	--	---



7



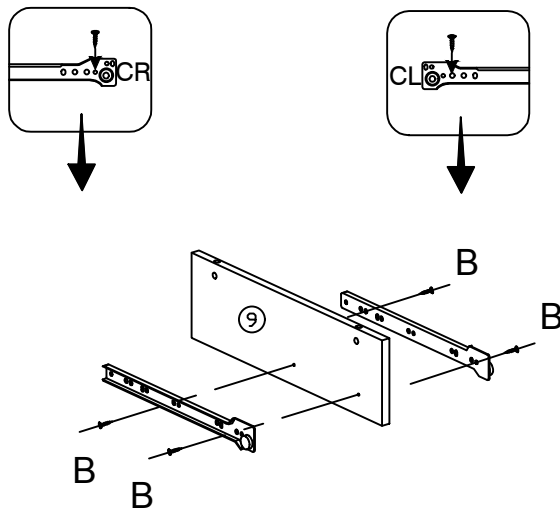
CL		1
B		2

8



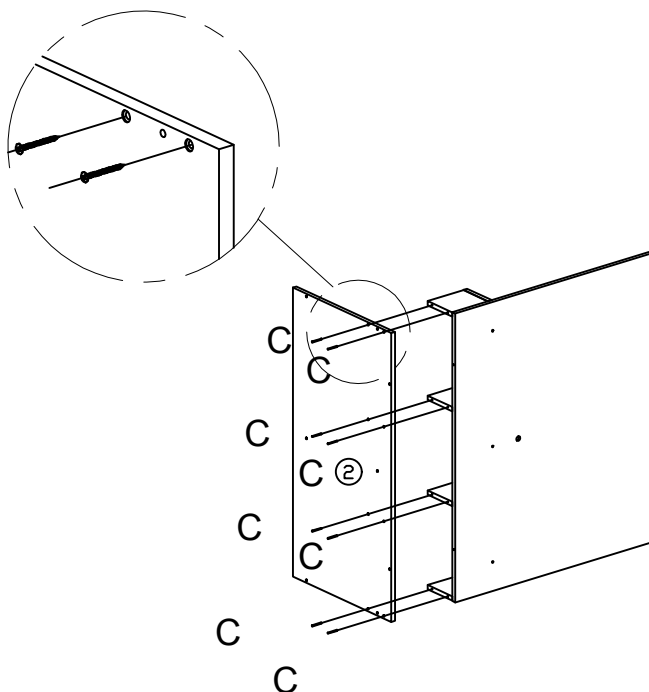
CR		1
B		2

9



CL		1
CR		1
B		4

10

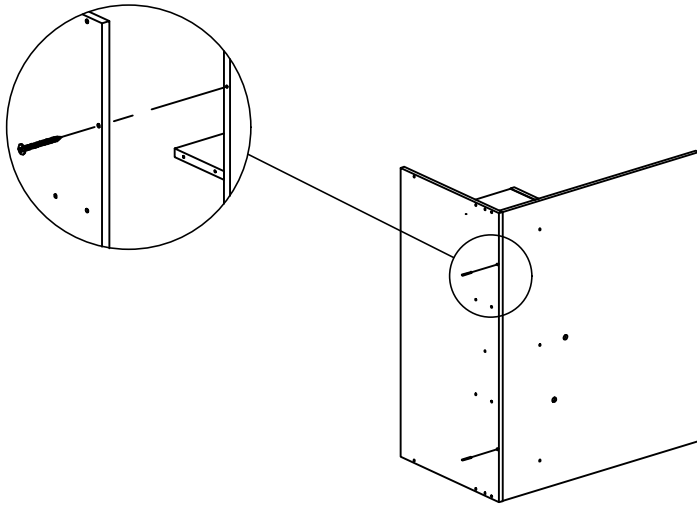



Please make sure that all the holes in the C screw are aligned before tightening them with tools.

C		8
---	--	---

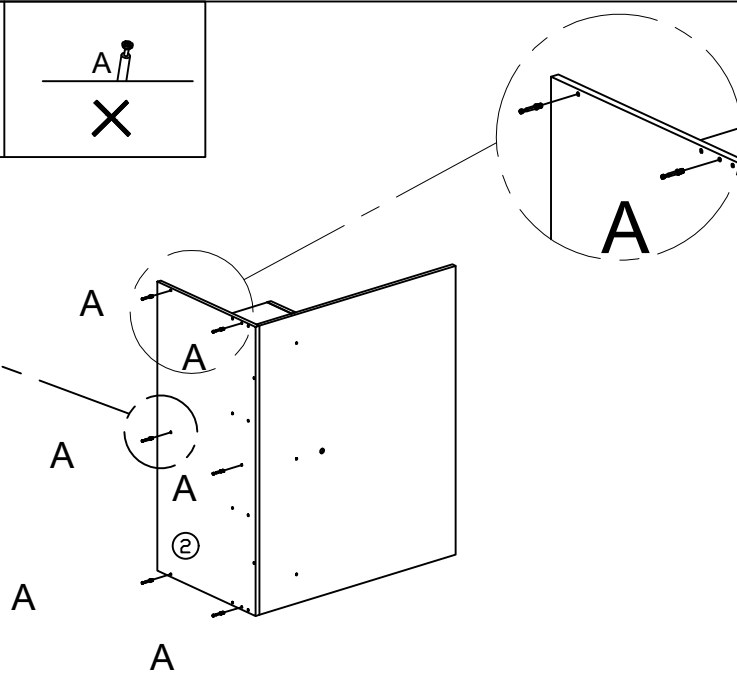
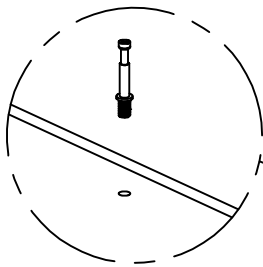
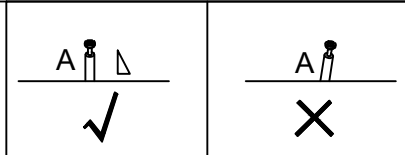



11



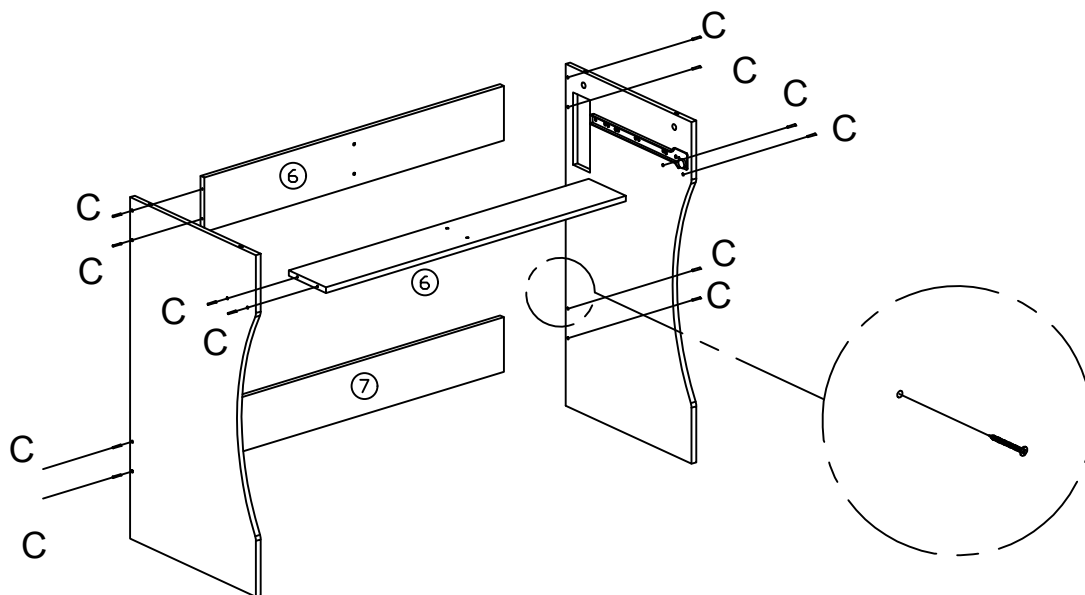
C		2
---	---	---


12



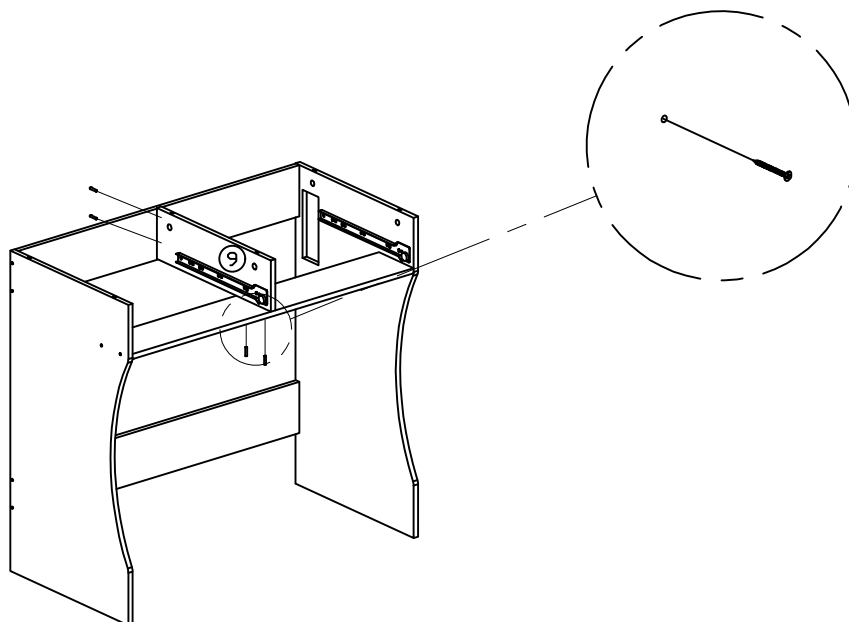
A		6
---	---	---


13



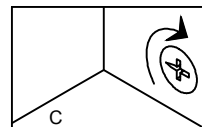
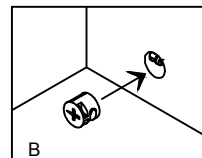
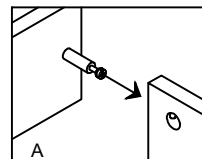
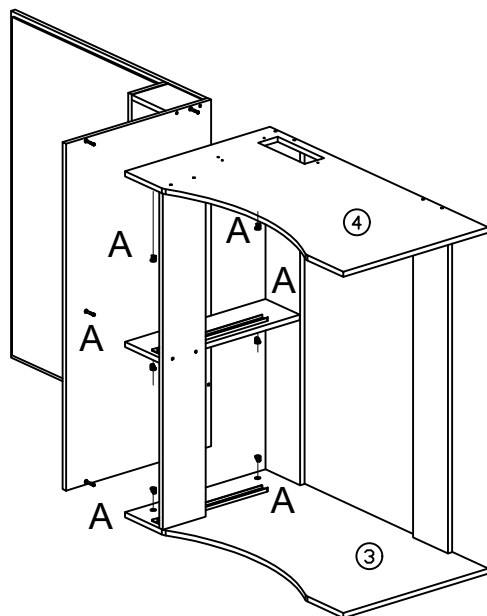
C		12
---	---	----

14



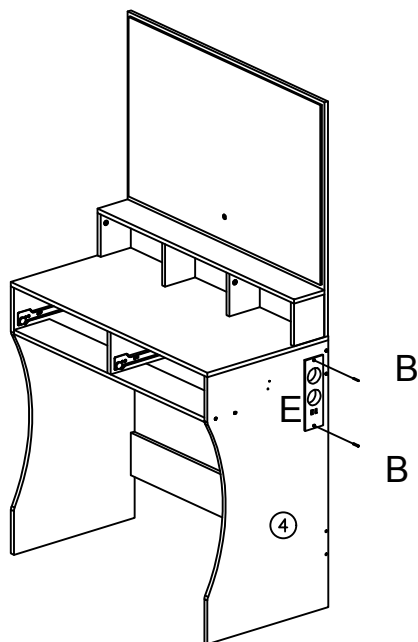
C		4
---	---	---

15



A		6
---	--	---

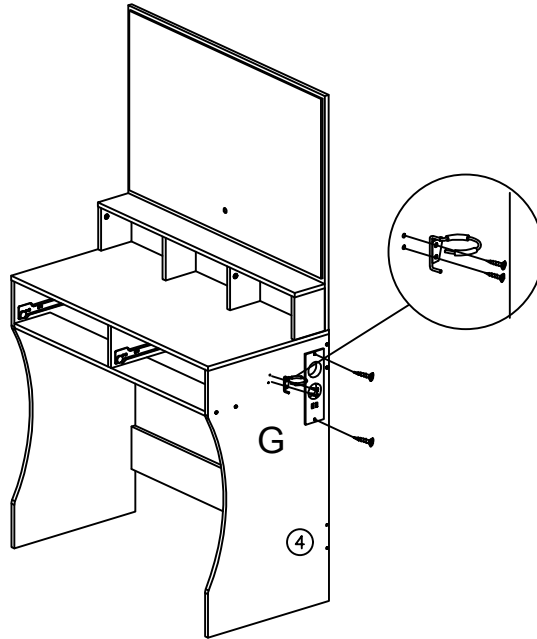
16





E		1
---	--	---

B		2
---	--	---

17



G		1
B		2

18

