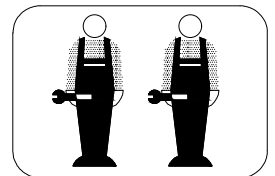
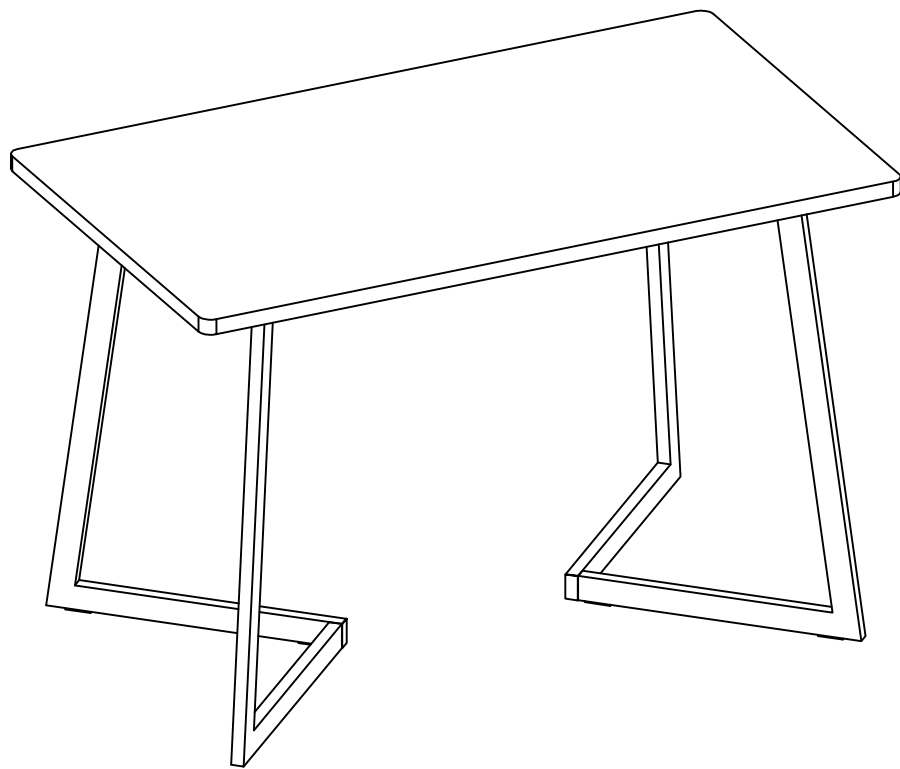
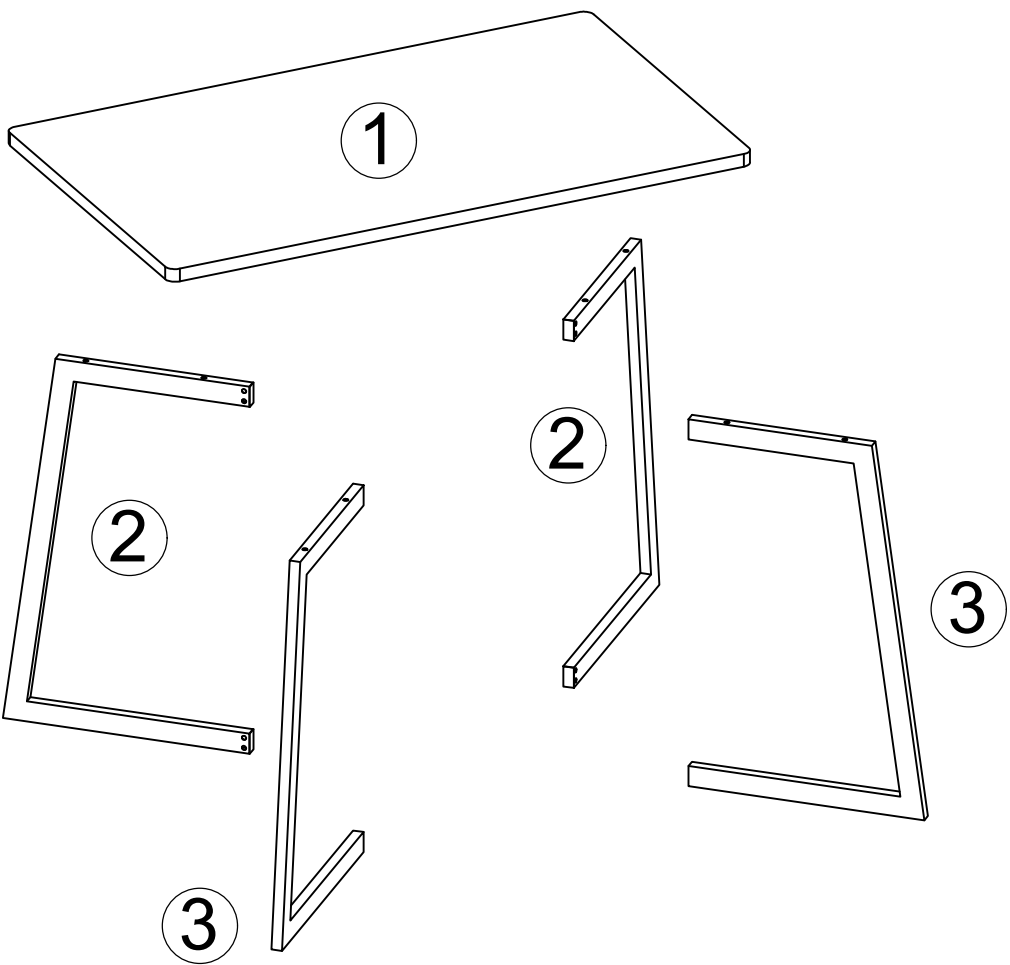


ASSEMBLY INSTRUCTIONS

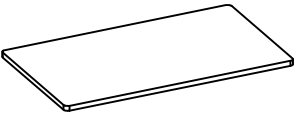


MONTAGEANLEITUNGEN

WF313357AA0/AAS








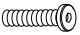
Part List
Stückliste

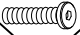
		
①×1pc	②×2pcs	③×2pcs

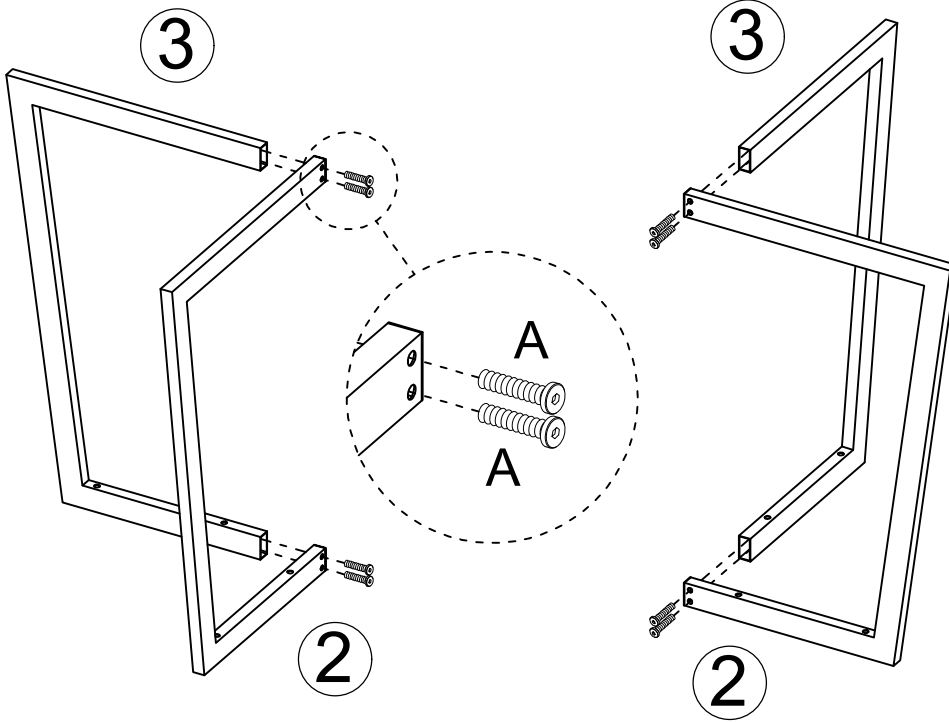
Hardware List
Hardwareliste

 M6×40mm	 M6×55mm		
Ⓐ×8pcs	Ⓑ×8pcs	Ⓒ×8pcs	Ⓓ×1pc

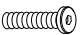
Step 1
Schritt 1

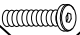

M6×40mm
Ⓐ ×8pcs

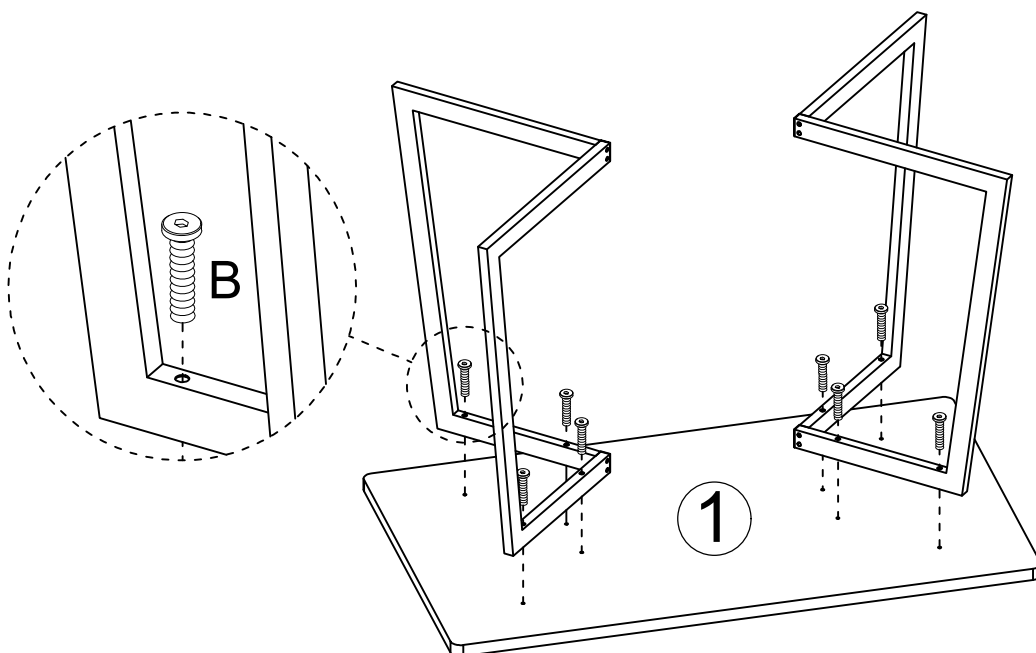
~~
M6×55mm
Ⓑ~~



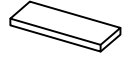
Step 2
Schritt 2


M6×55mm
Ⓑ ×8pcs

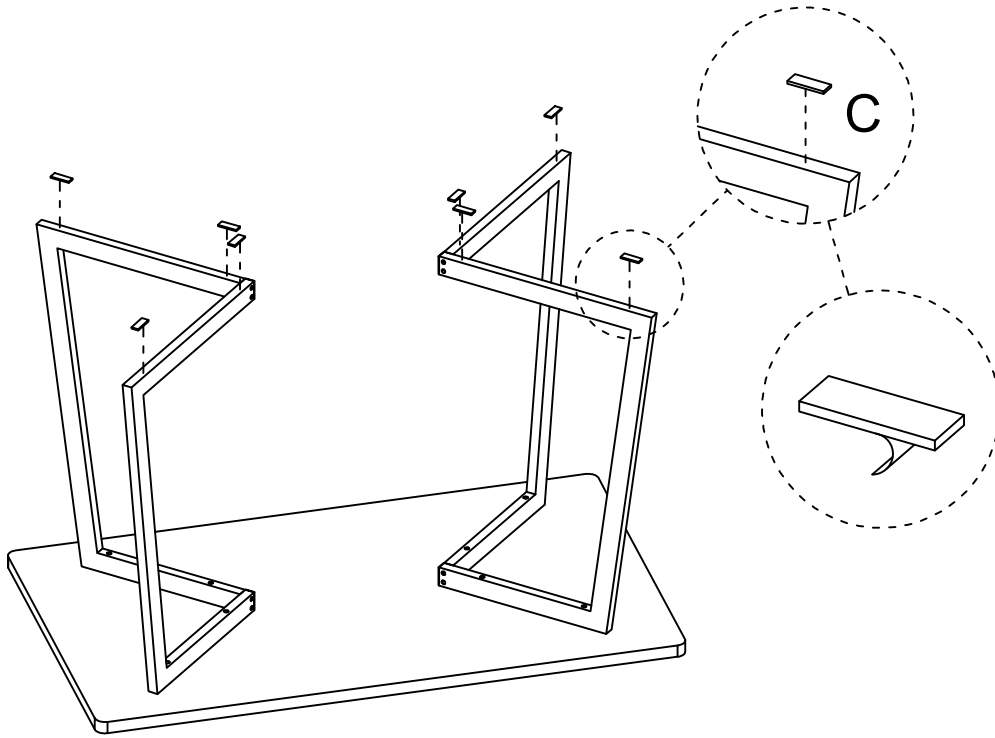
~~
M6×40mm
Ⓐ~~



Step 3
Schritt 3



©×8pcs



Step 4
Schritt 4

