

Required Tool :

Assembly Instruction



Washer



Bolts



Nut Bolts



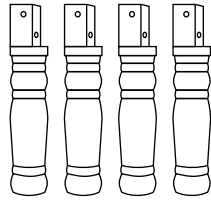
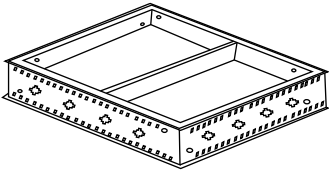
Spanner



Assembly requires one person

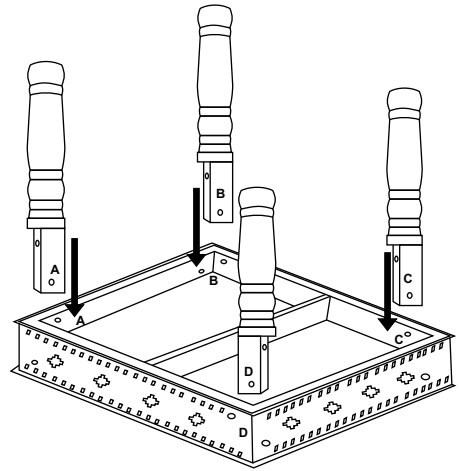
PARTS

Seat

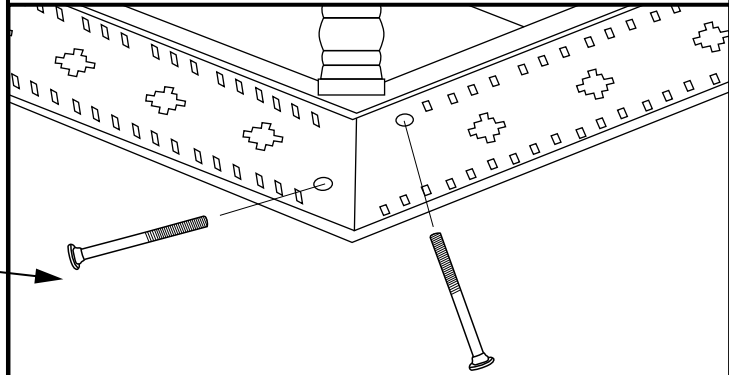
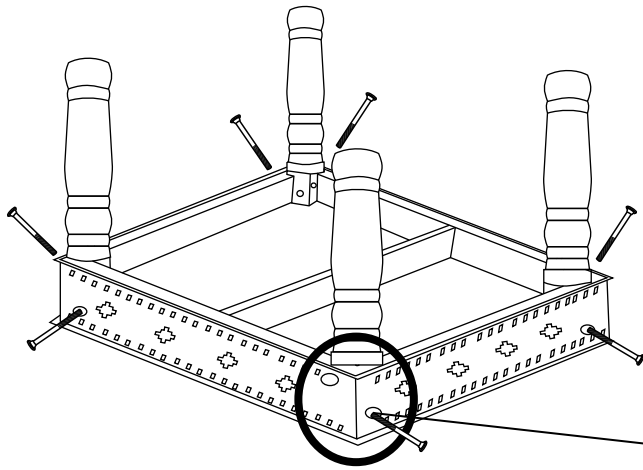


Leg

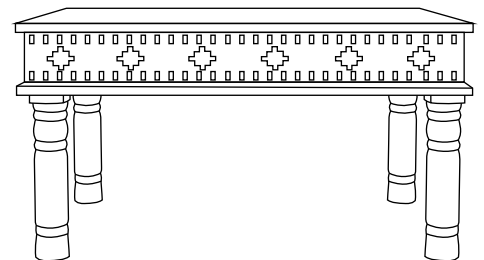
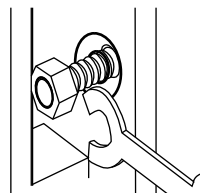
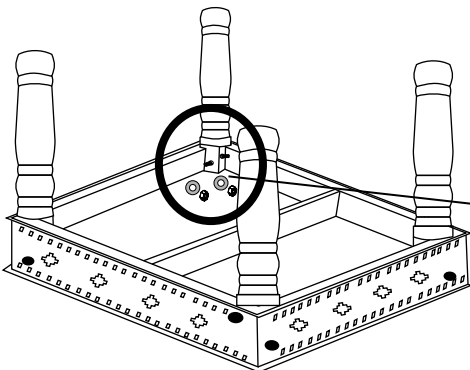
Step - 1



Step - 2



Step - 3



Final