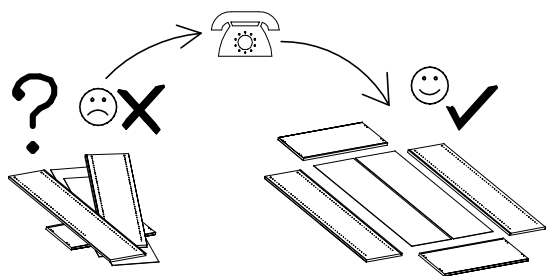
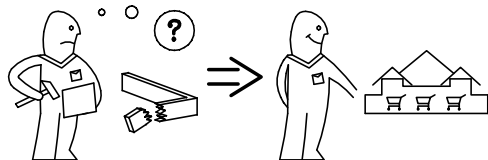
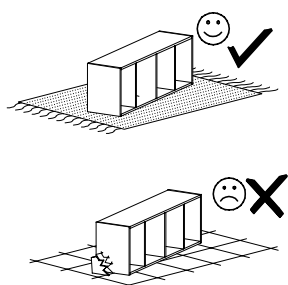
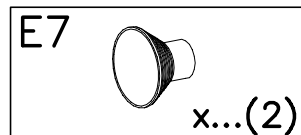


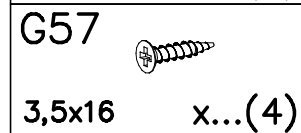
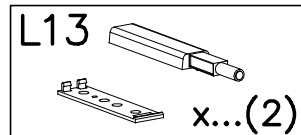
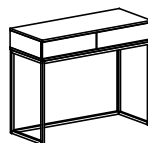
GLAMOUR – table



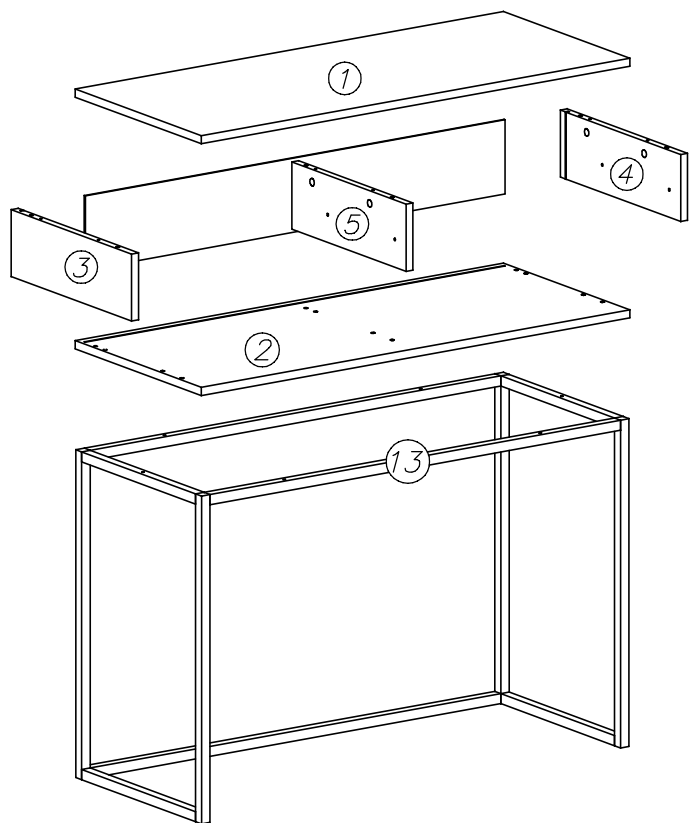
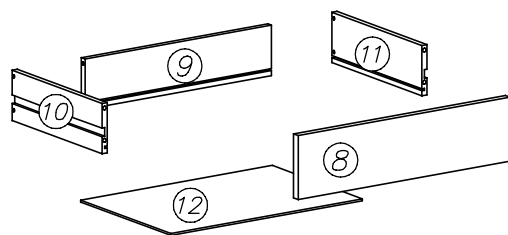
OPCJA A


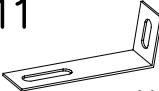

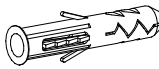


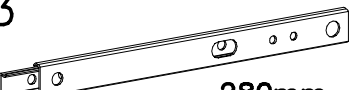


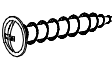
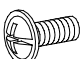
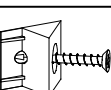

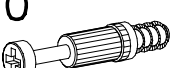

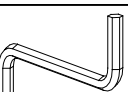




OPCJA B



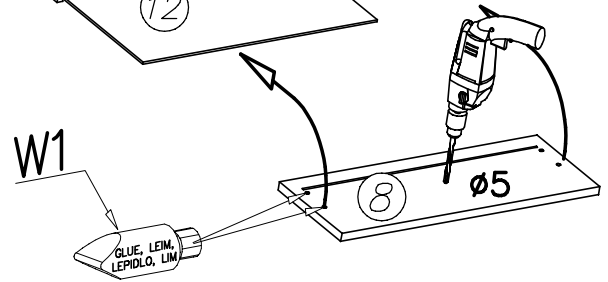
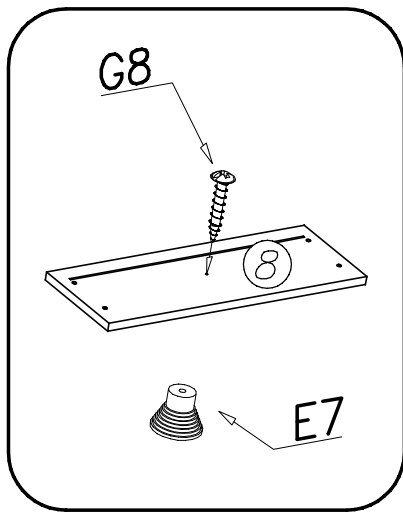
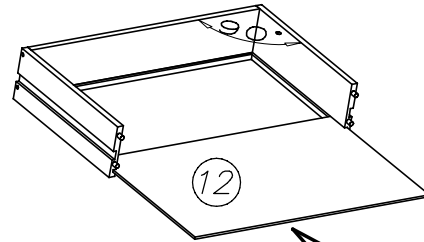
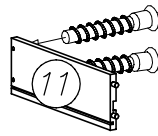
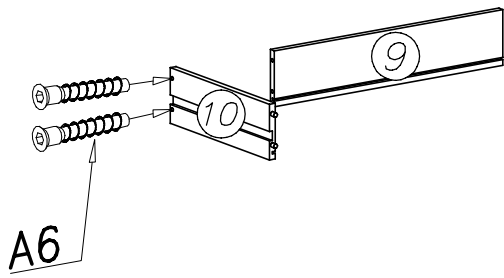
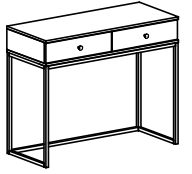
PUSH



	G34  3,5x16 x...(2)	M11  x...(1)	G28  4x60 x...(1)	U6  ø8x40 x...(1)
I22  x...(4)	G49  6x20 x...(4)	H3  280mm x...(4)	G50  6x13 x...(4)	
K1  ø15x12 x...(6)	G8  4x30 x...(8)	N1  M4x9 x...(4)	I1  x...(4)	W1  GLUE, LEIM, LEPIDLO, LIM x...(1)
K10  x...(6)	B1  ø8x35 x...(20)	W2  x...(1)	A6  ø7x40 x...(8)	A1  ø7x50 x...(6)

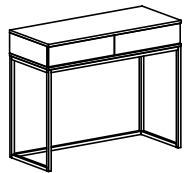
I

OPCJA A

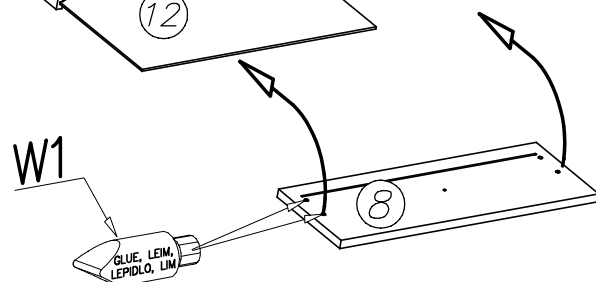
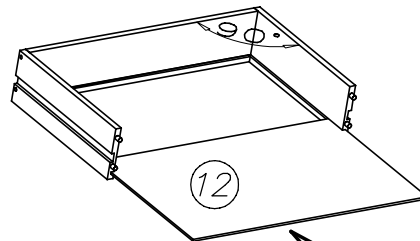
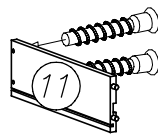
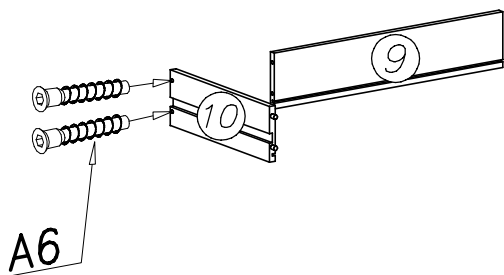


II

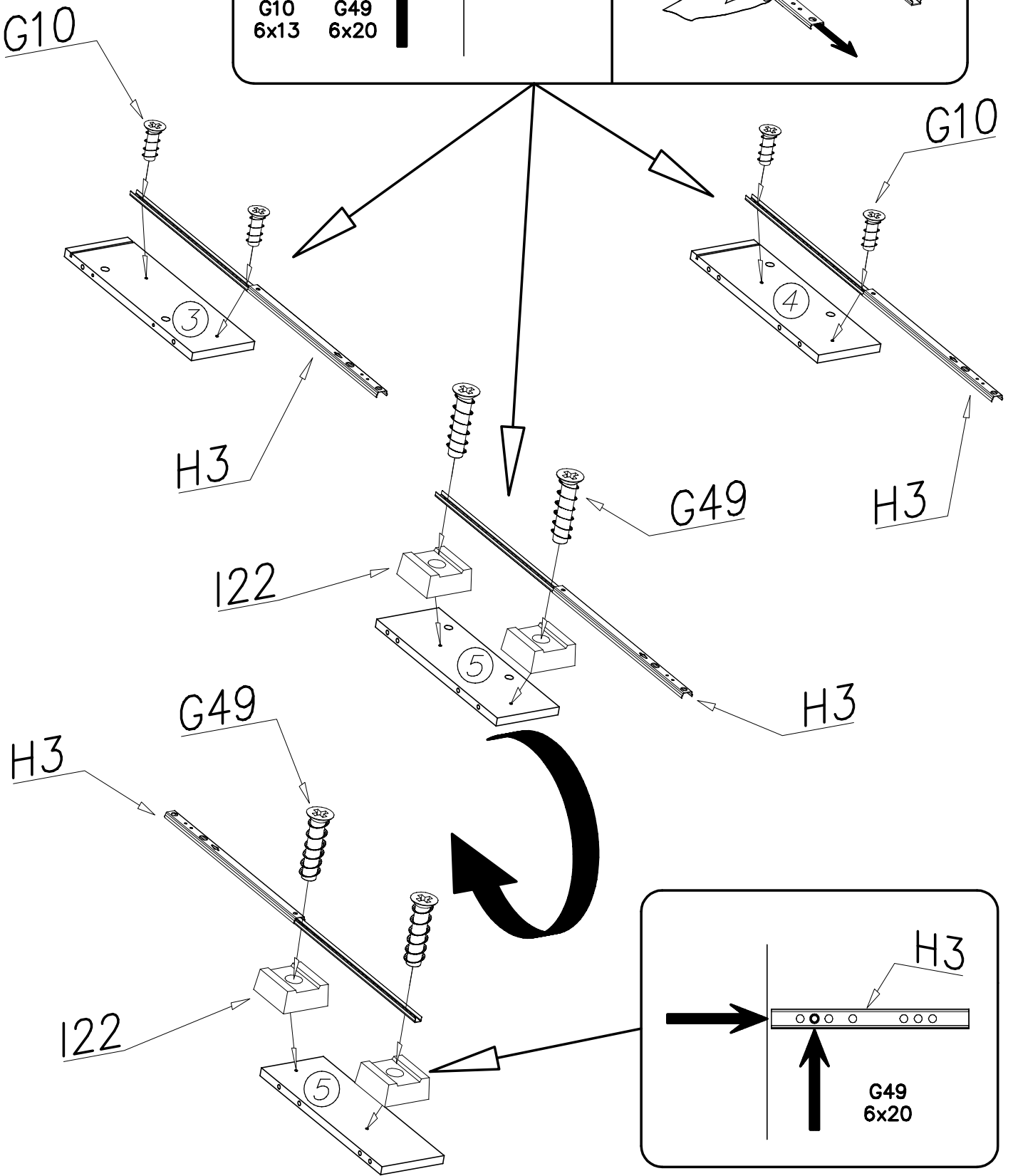
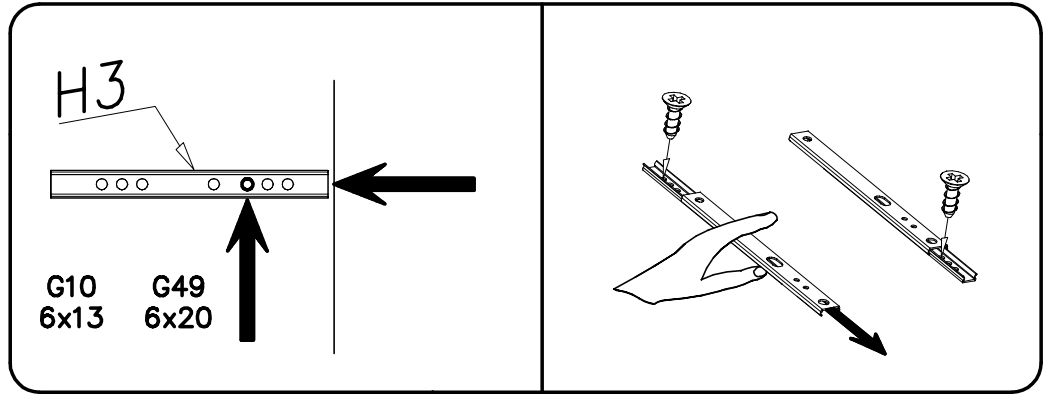
OPCJA B



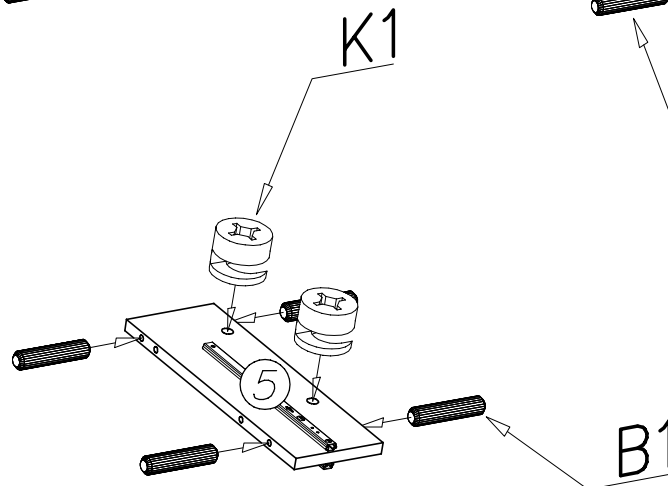
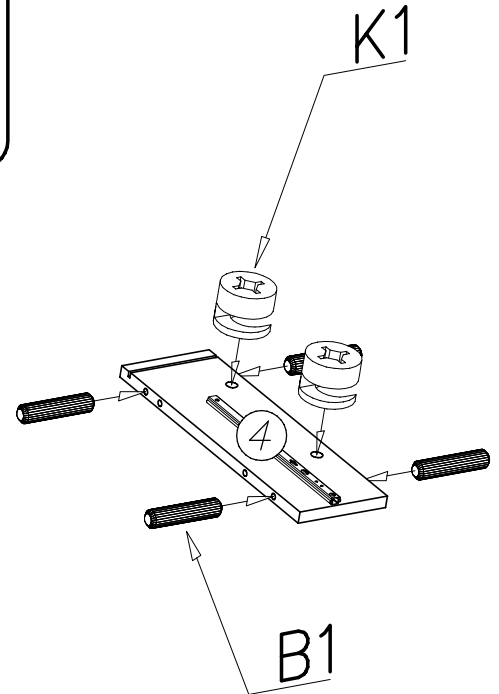
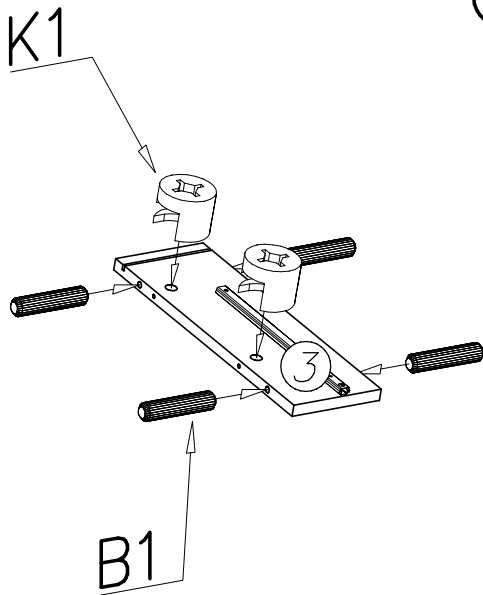
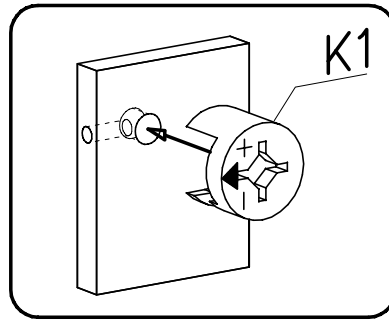
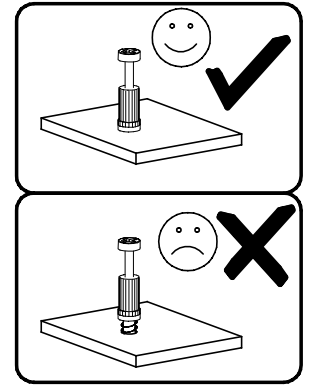
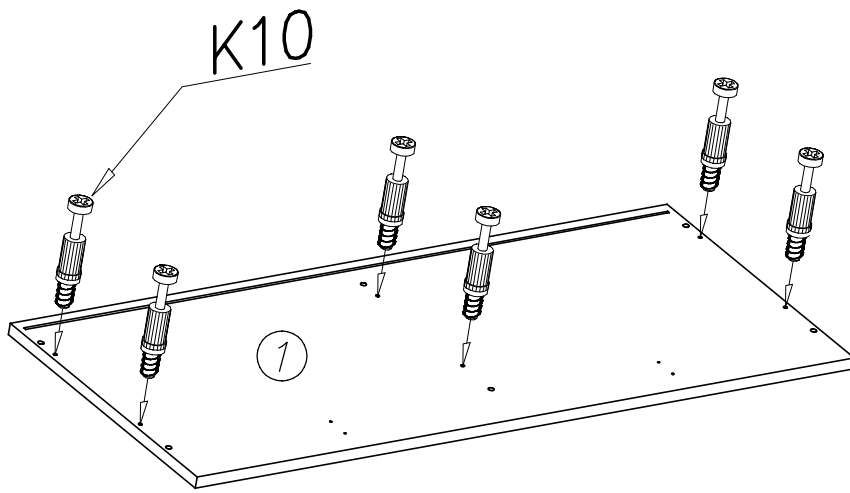
PUSH



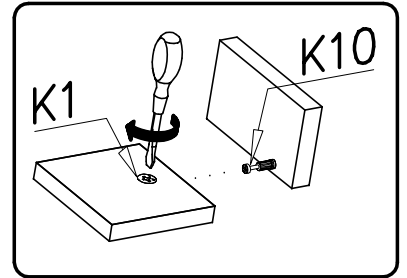
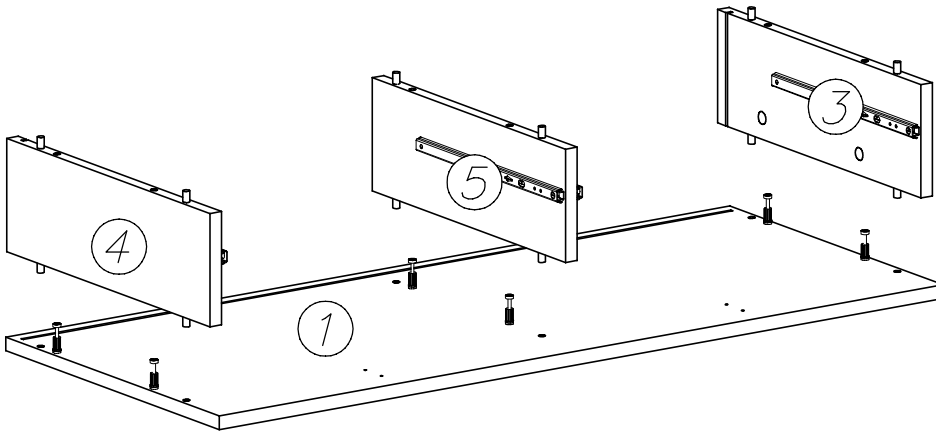
III



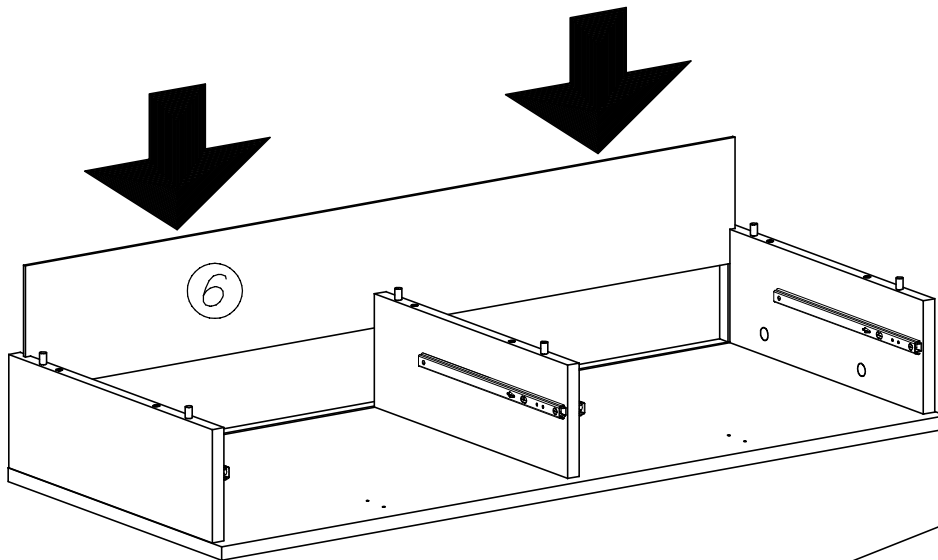
IV



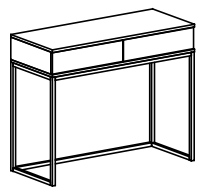
V



VI

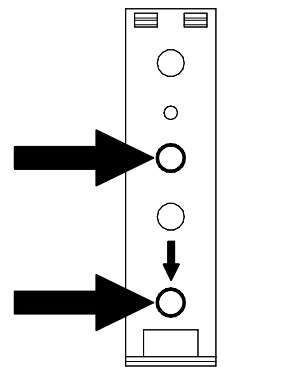
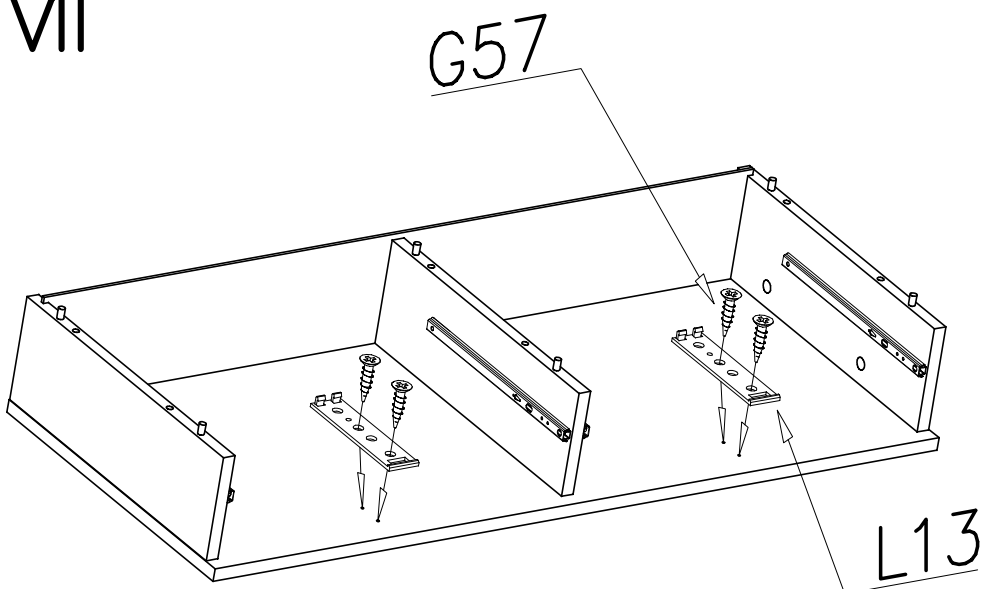


OPCJA B



PUSH

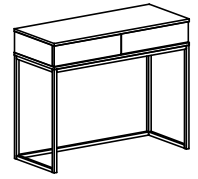
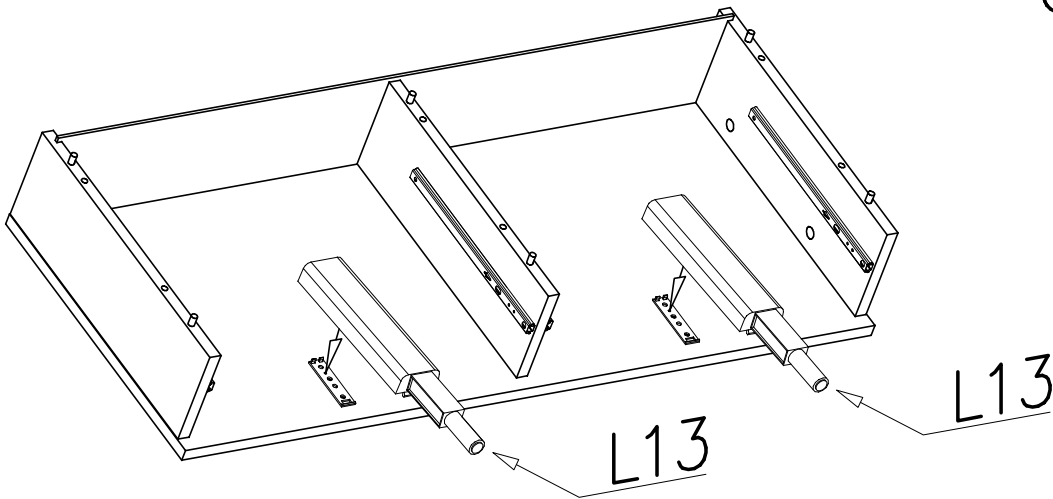
VII



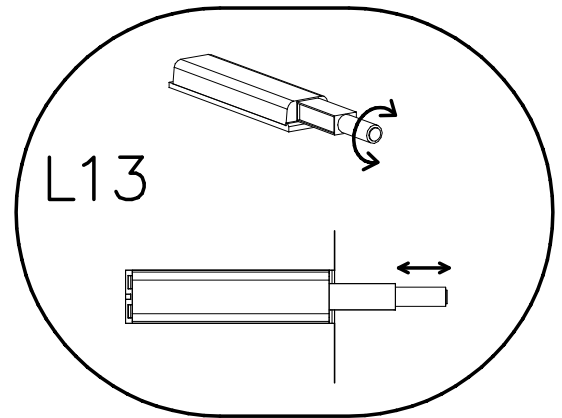
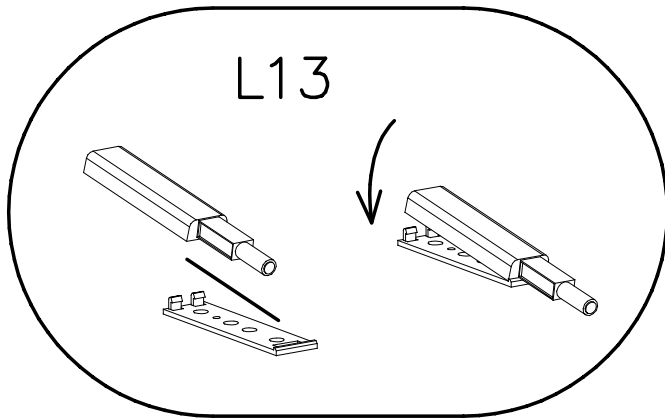
front

VIII

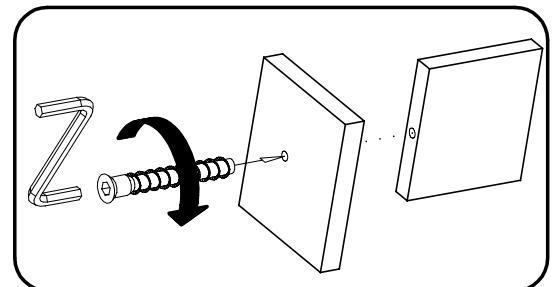
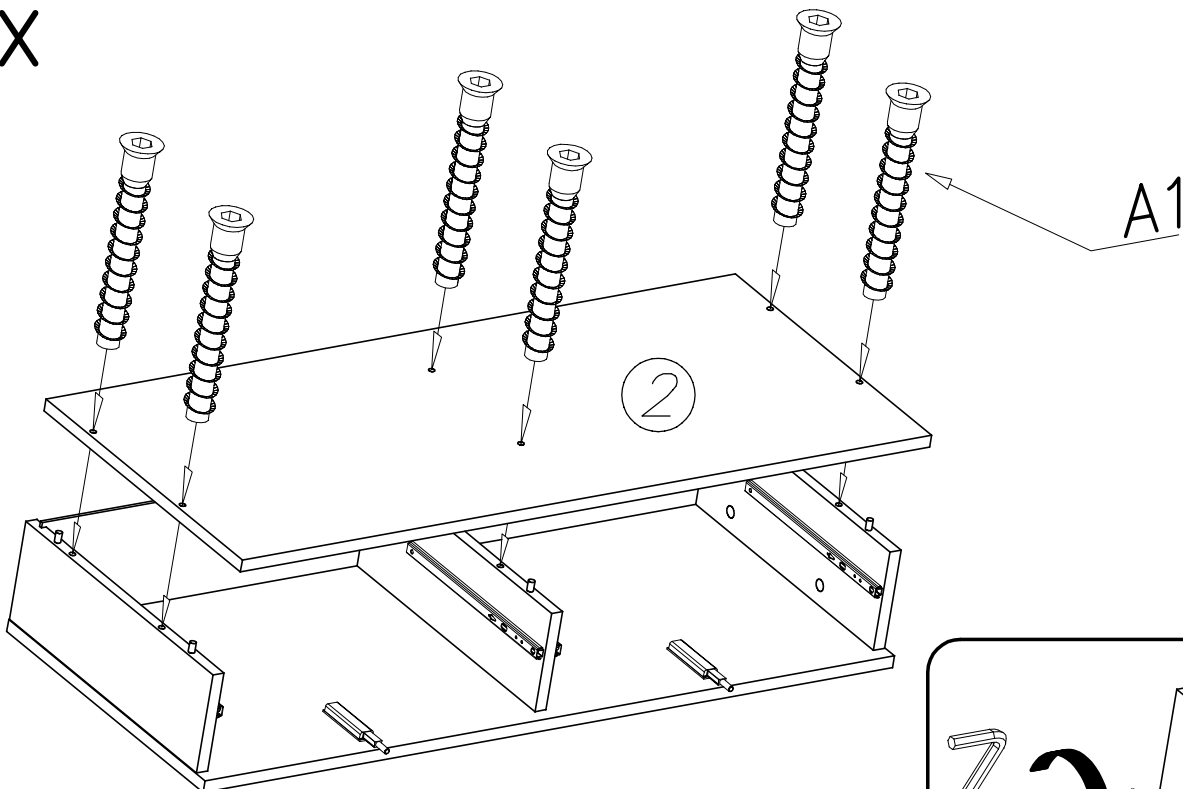
OPCJA B



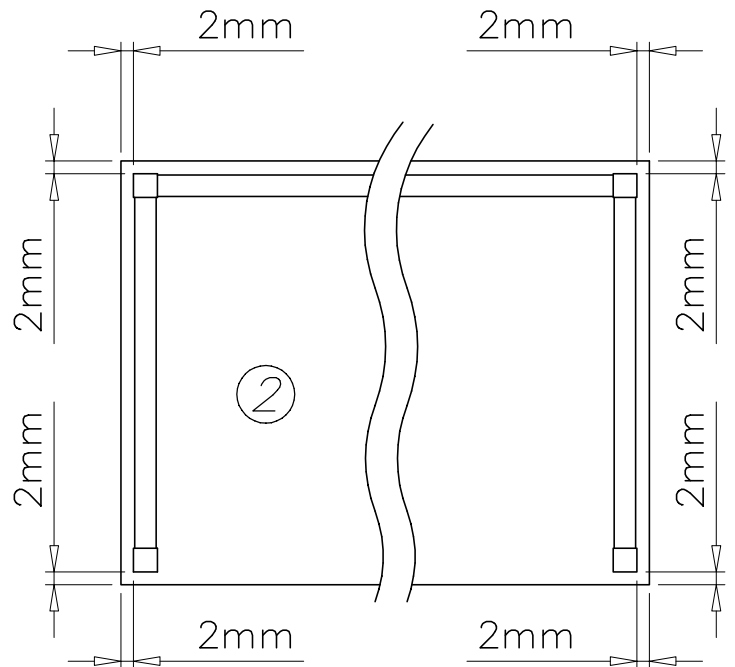
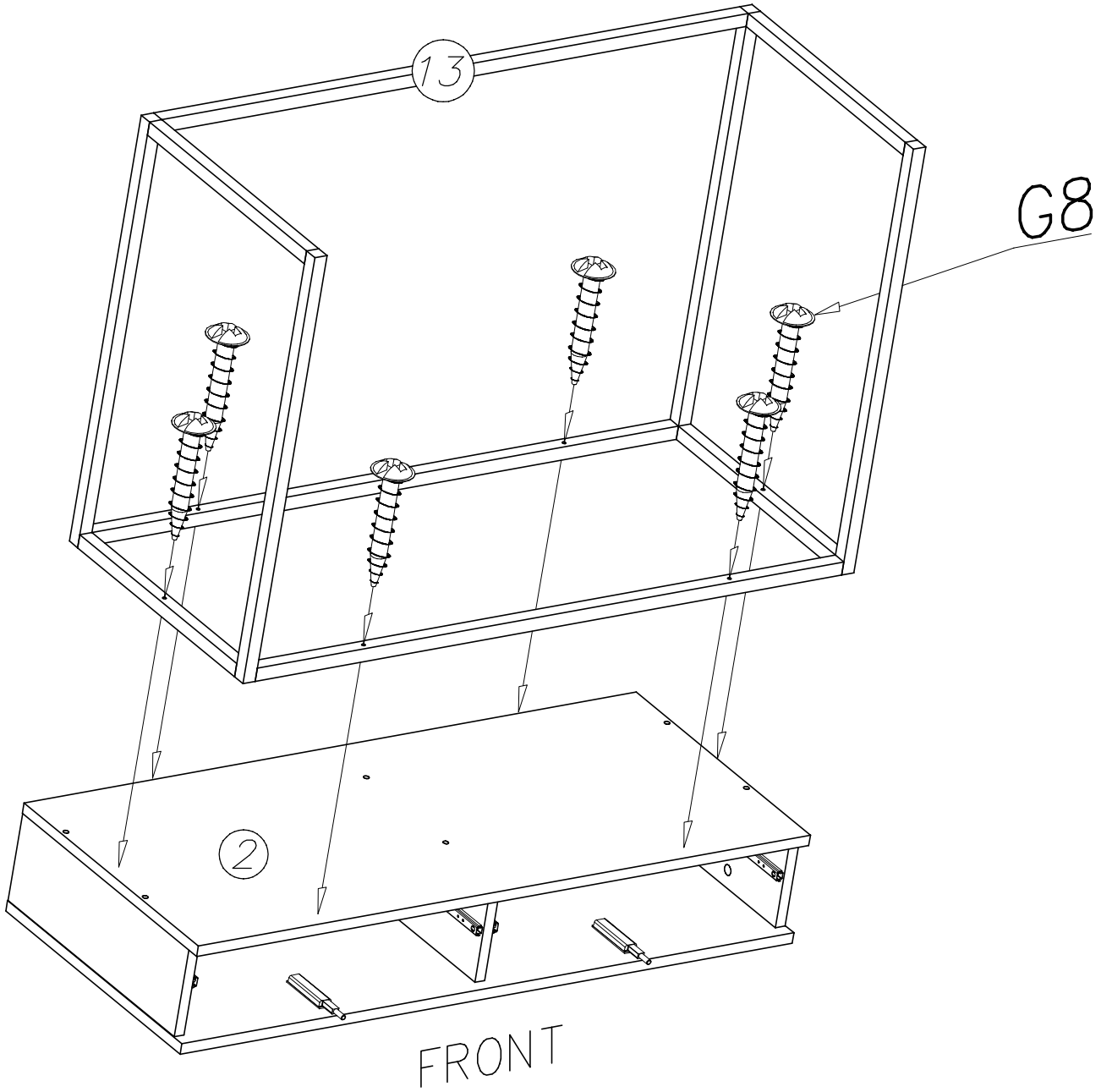
PUSH



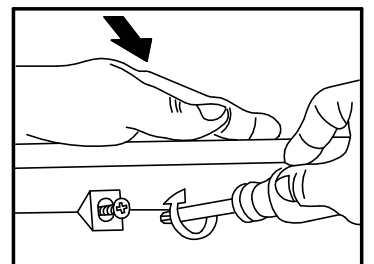
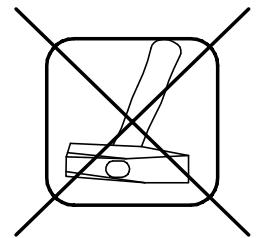
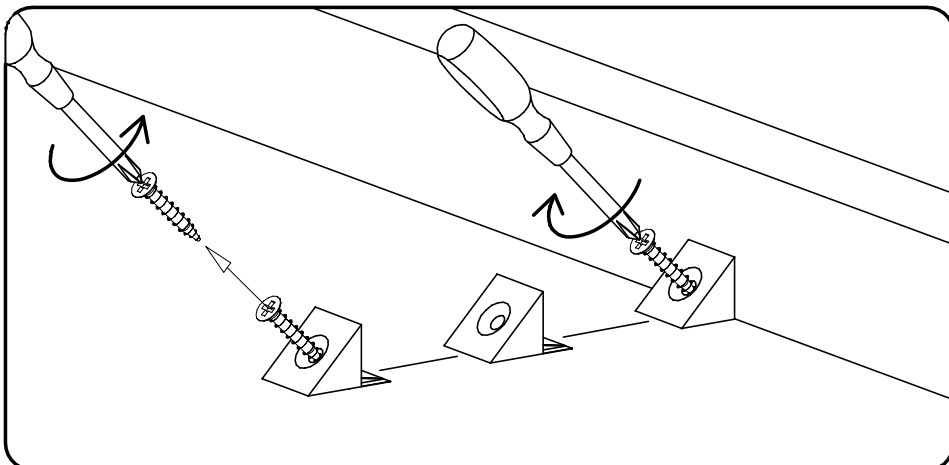
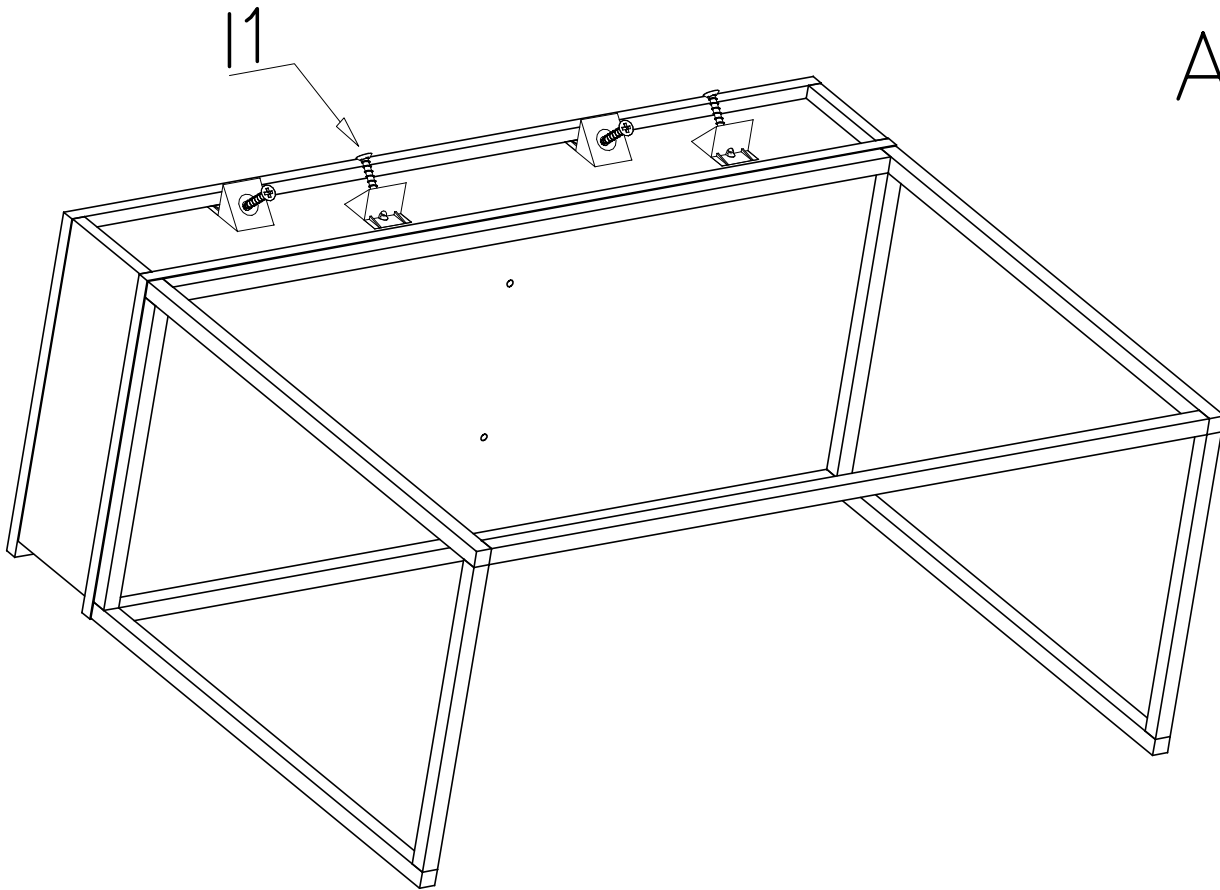
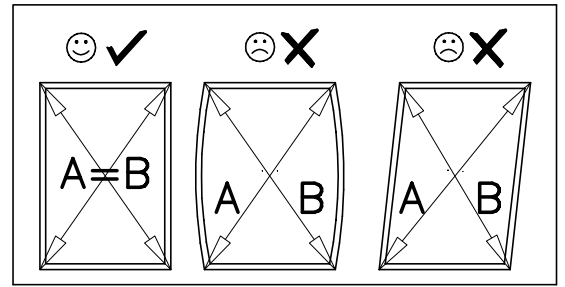
IX

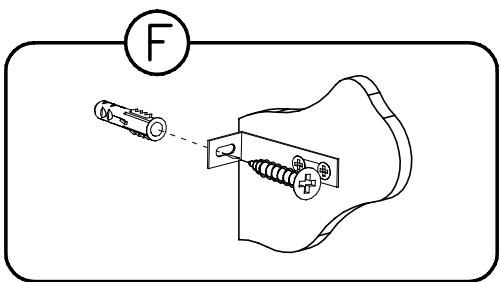
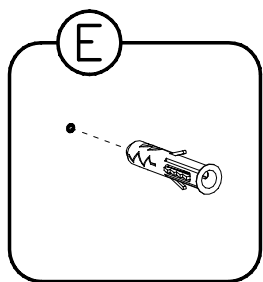
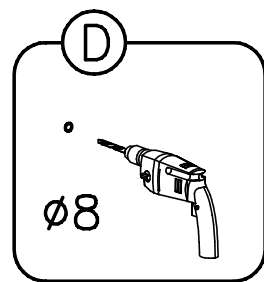
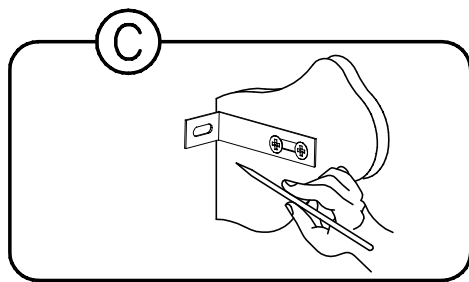
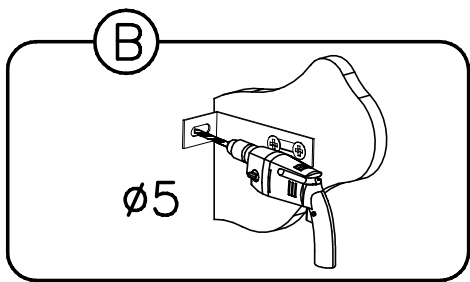
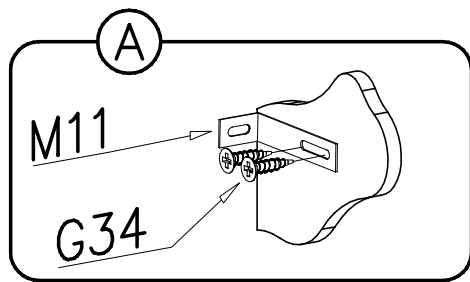


X

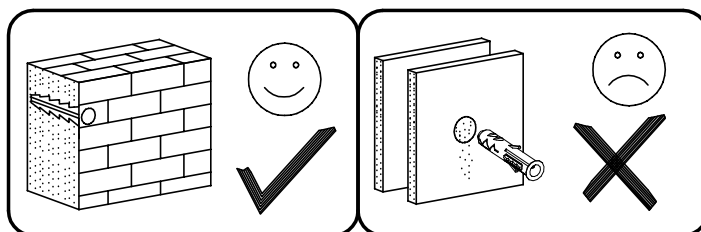
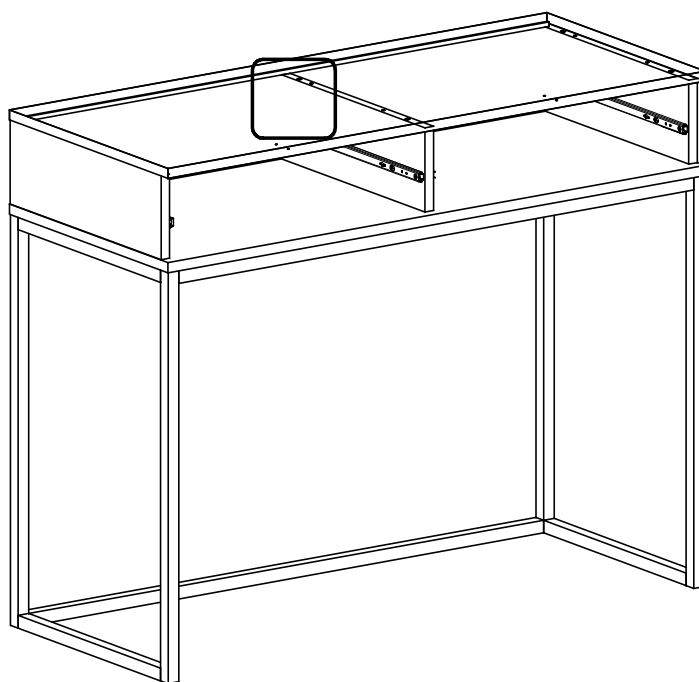


XI

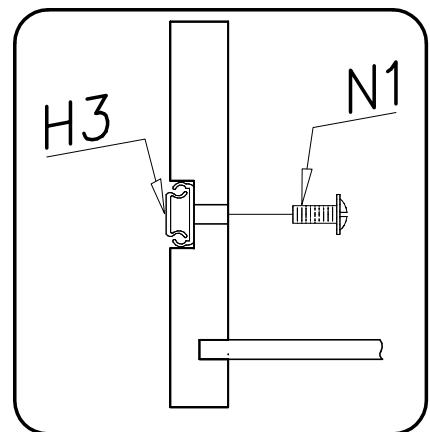
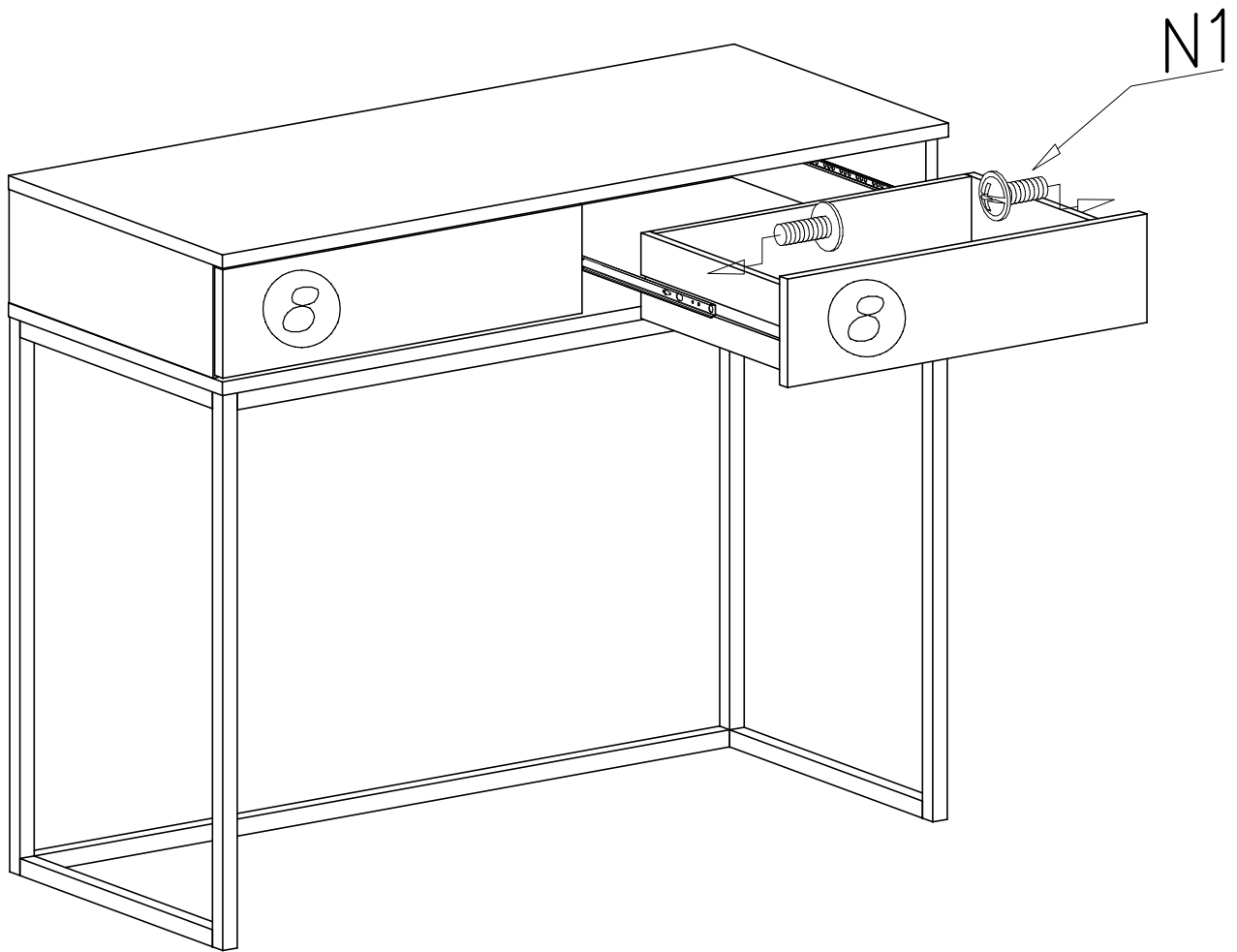


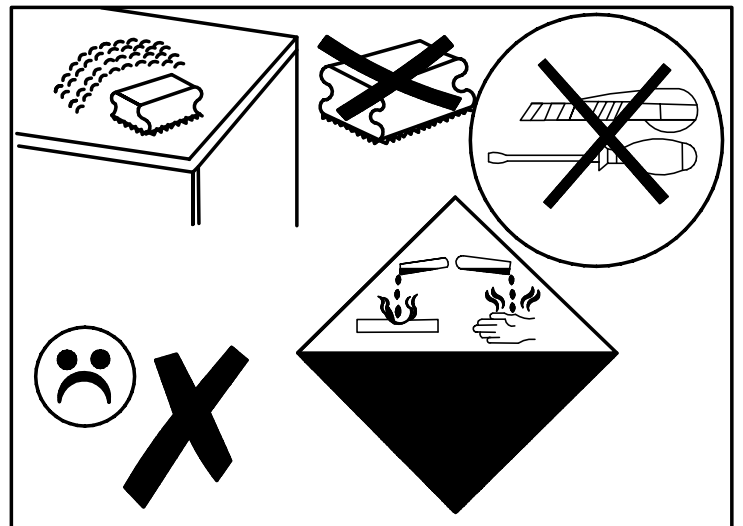
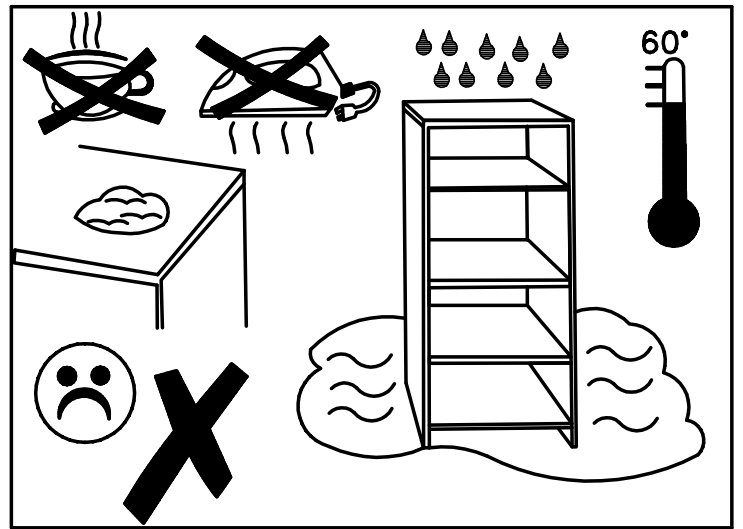
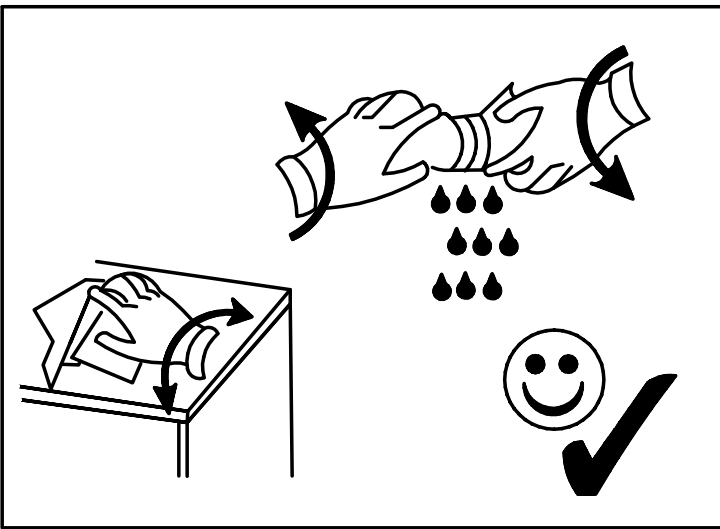
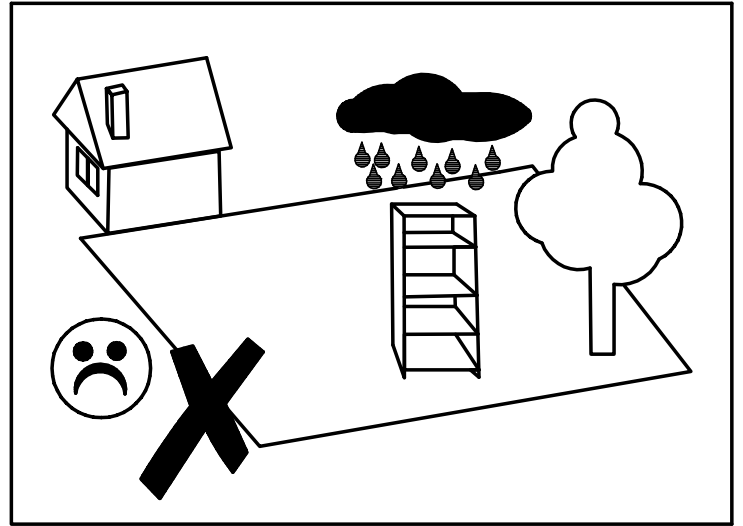
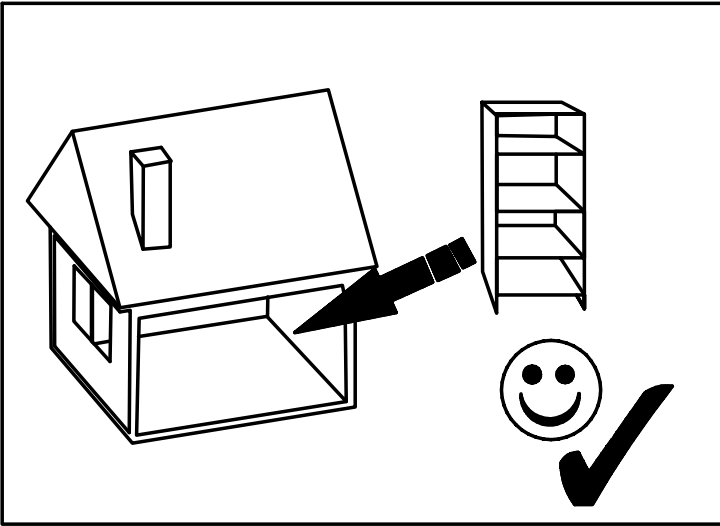


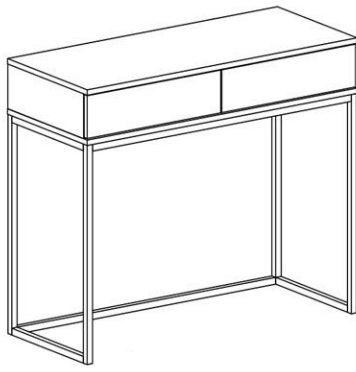
XII



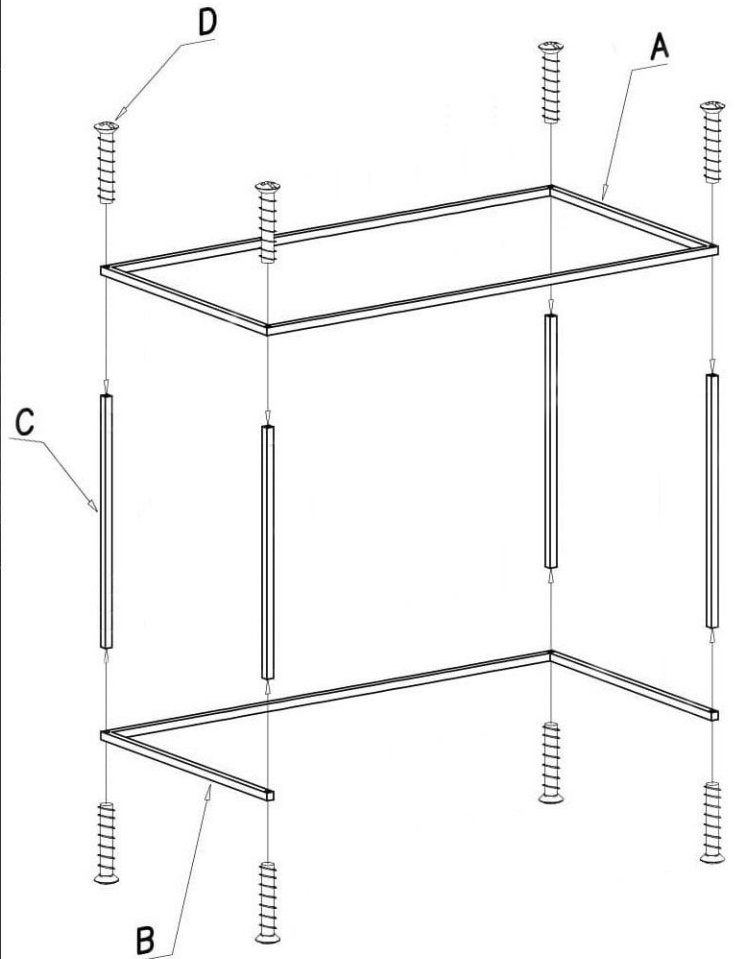
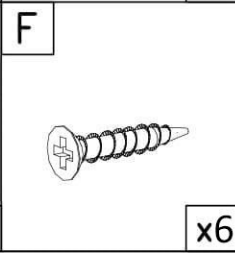
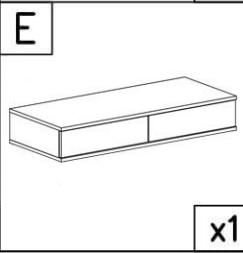
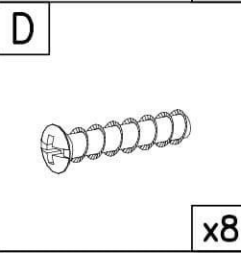
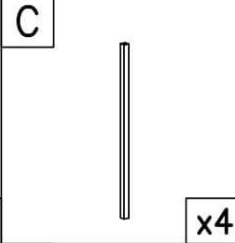
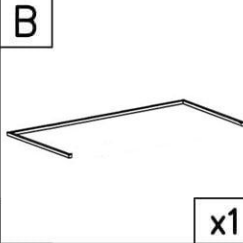
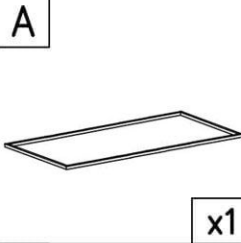
XIII



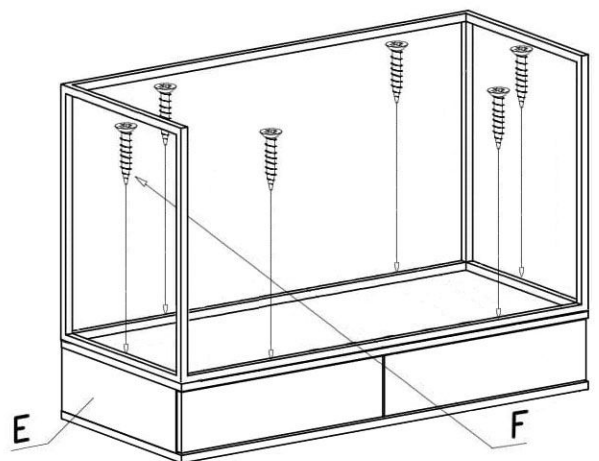
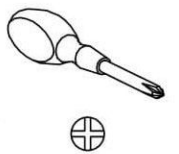




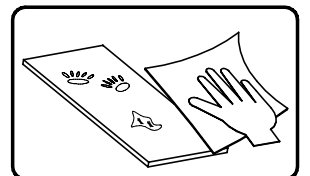
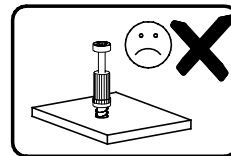
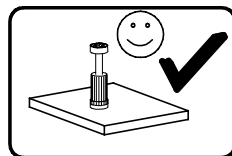
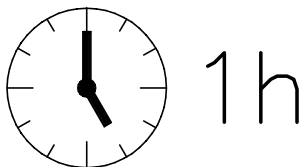
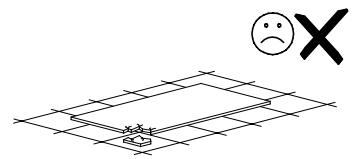
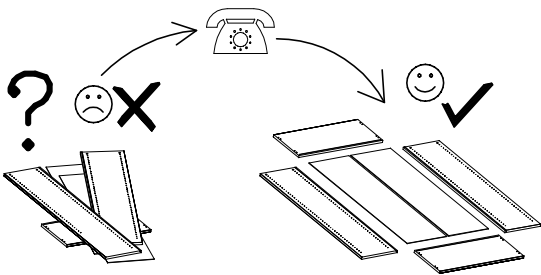
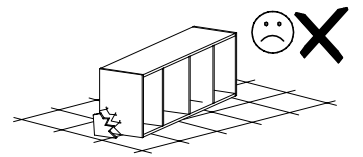
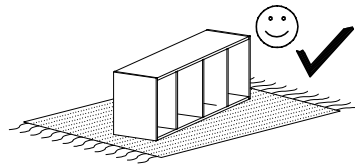
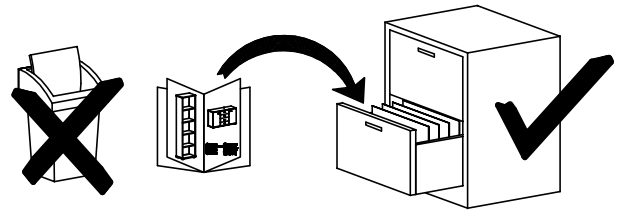
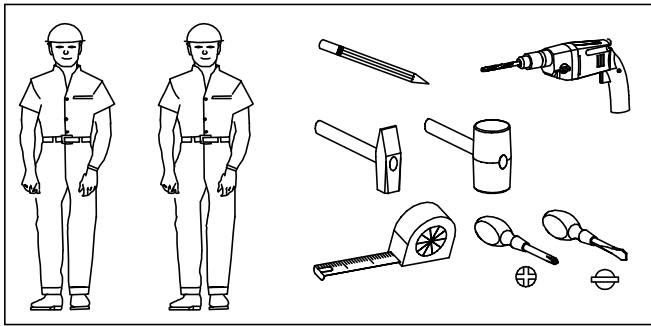
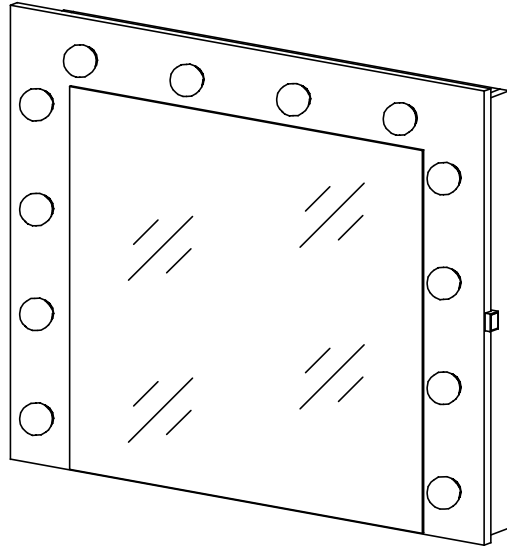
1

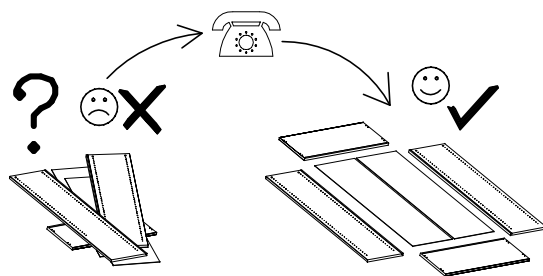
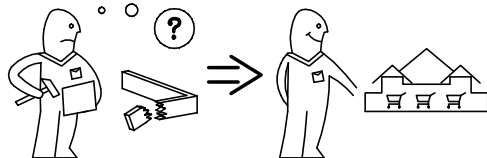
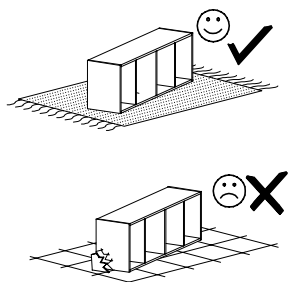


2

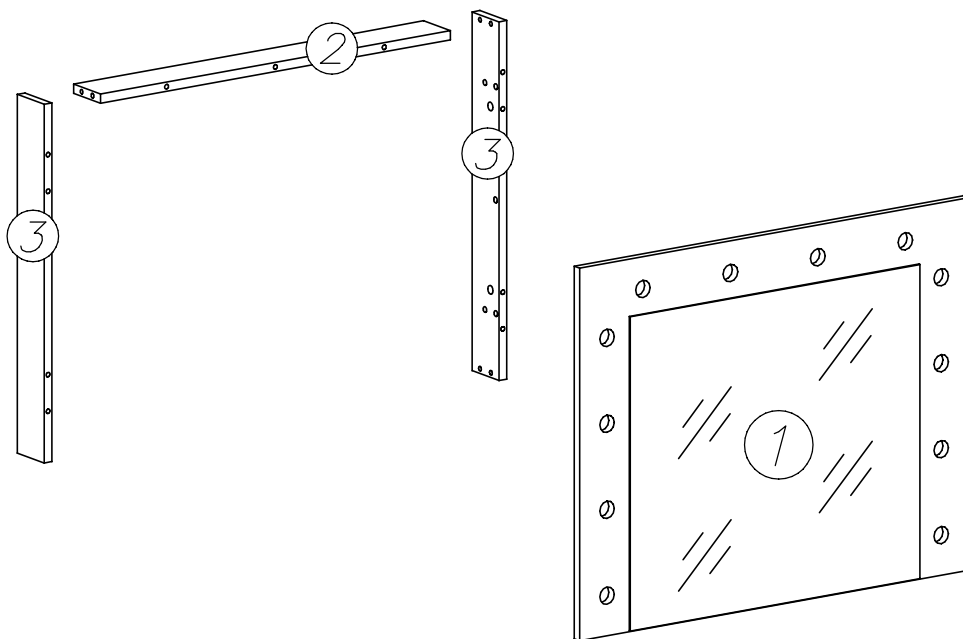


ESCADO

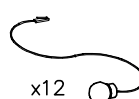




nr	L[mm]	B[mm]	T[mm]	Menge	Colli
1	650	800	20	1	1/1
2	720	79	16	1	1/1
3	626	79	16	2	1/1

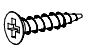


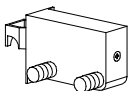
W20

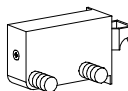



x12


x...(1)

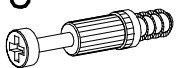
G34

 3,5x16 x...(1)


U9L

 x...(1)

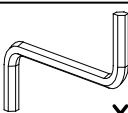
U9R

 x...(1)

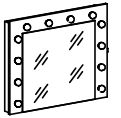
I7

 Ø18 x...(5)

K1

 Ø15x12 x...(5)

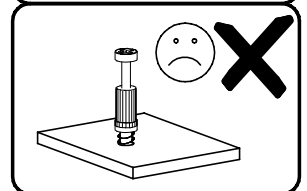
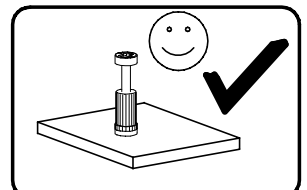
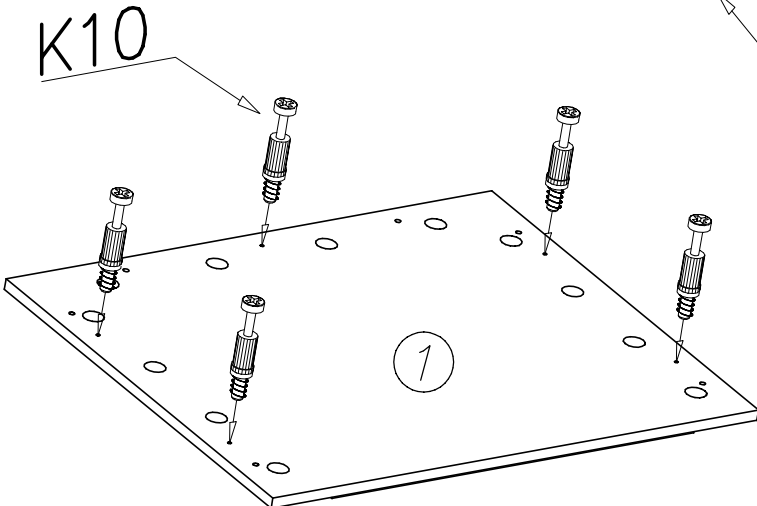
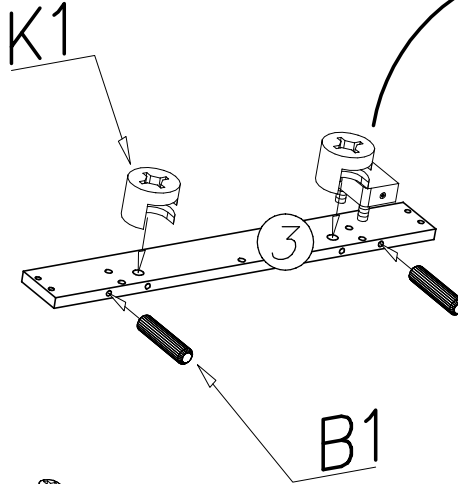
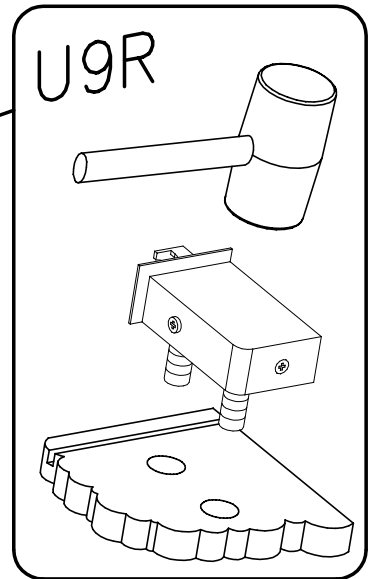
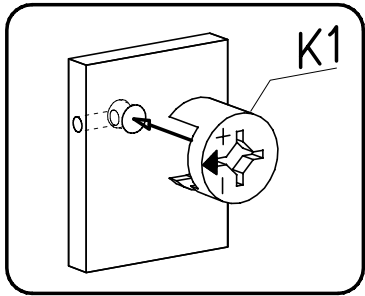
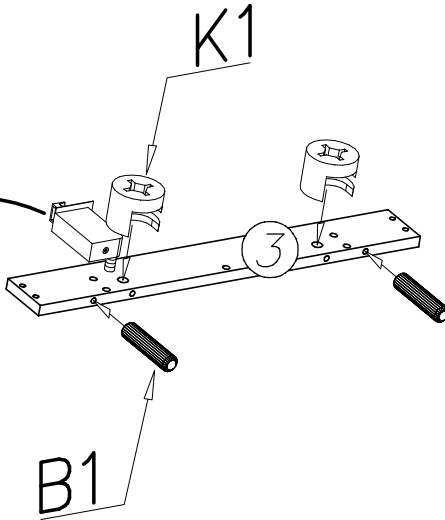
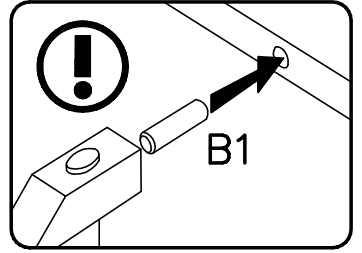
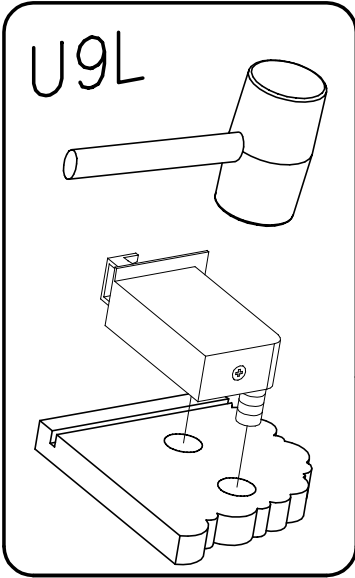
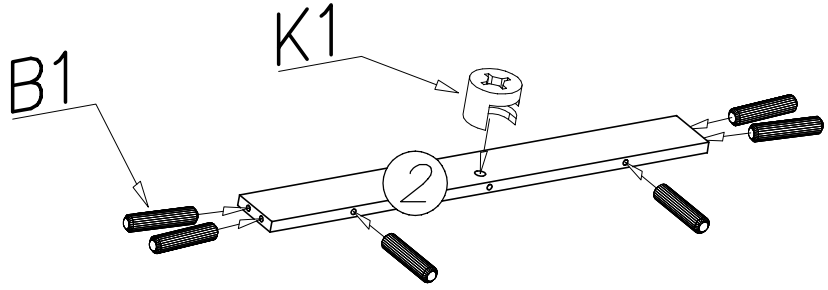
K10

 x...(5)

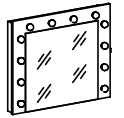
B1

 Ø8x35 x...(10)

W2

 x...(1)

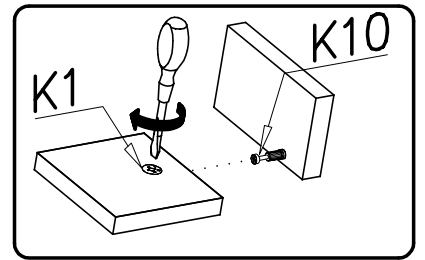
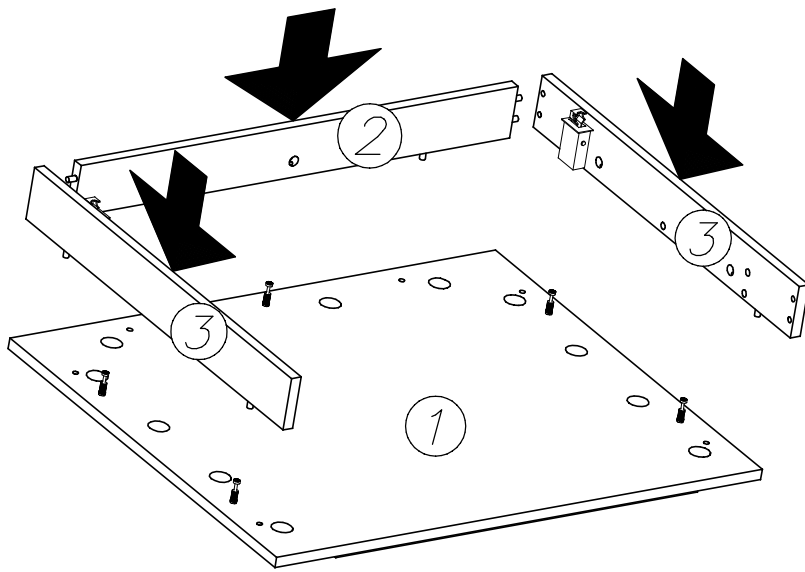


I

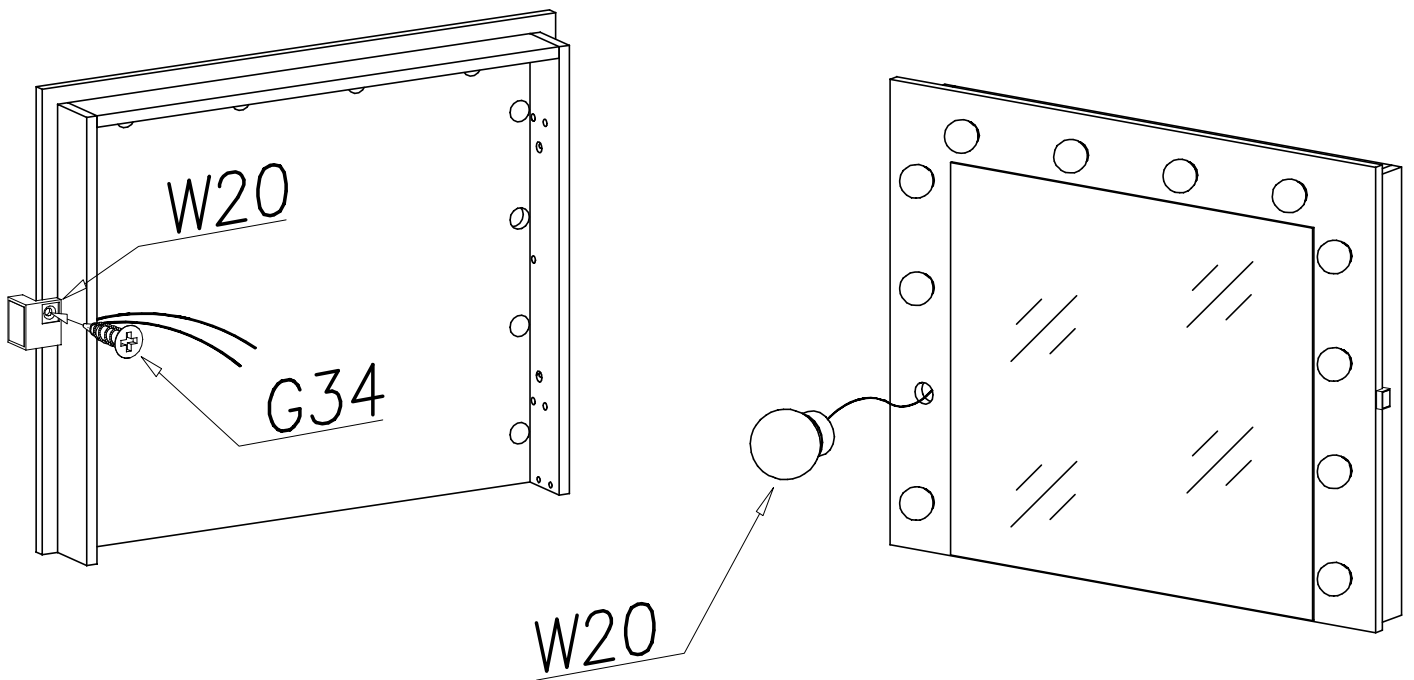




II

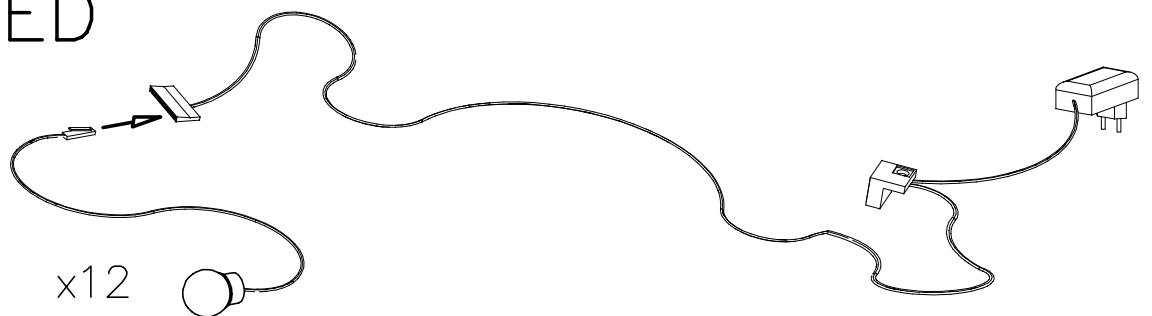


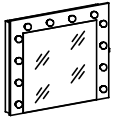
III



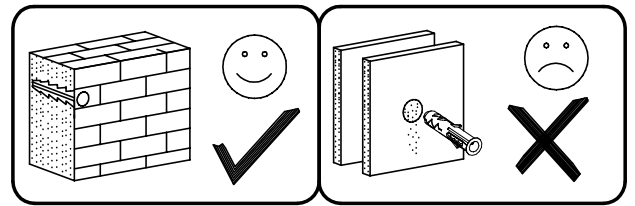
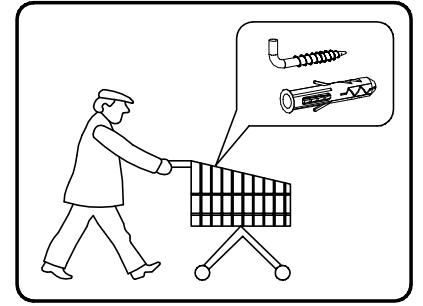
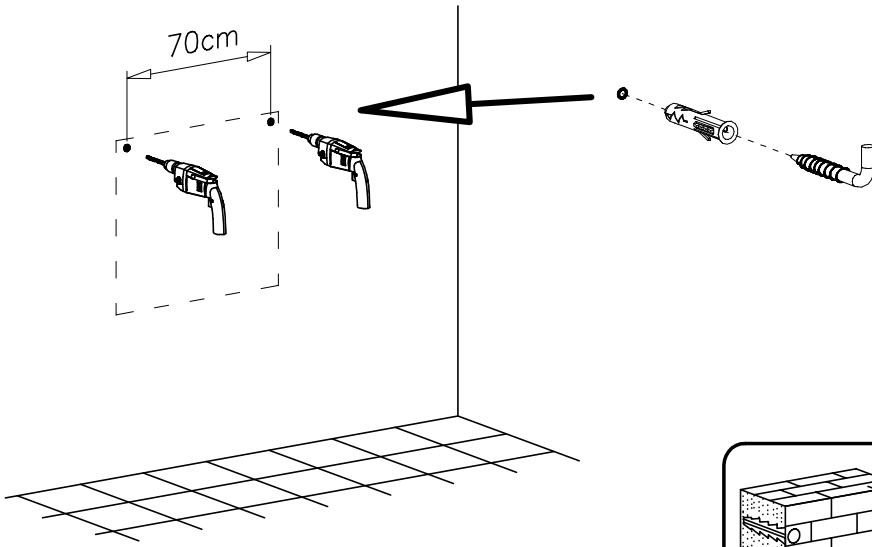
LED

x12





IV



V

