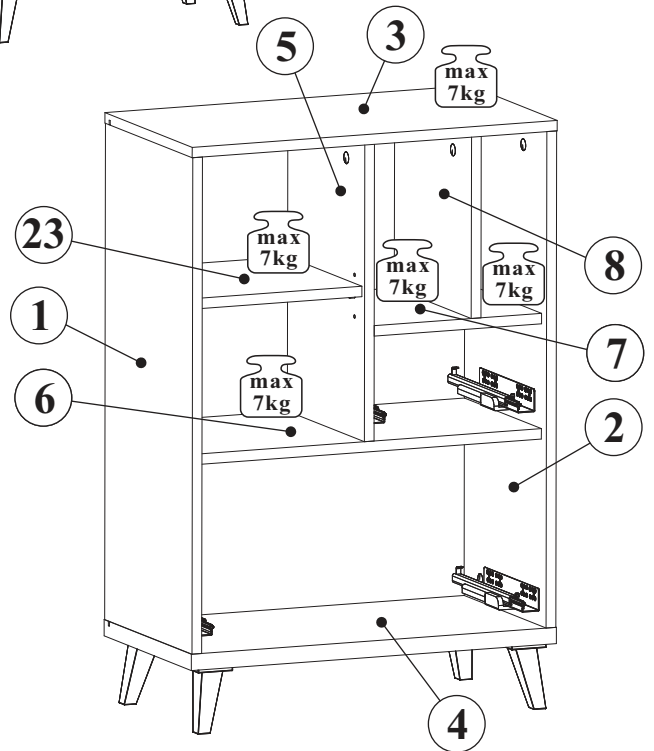
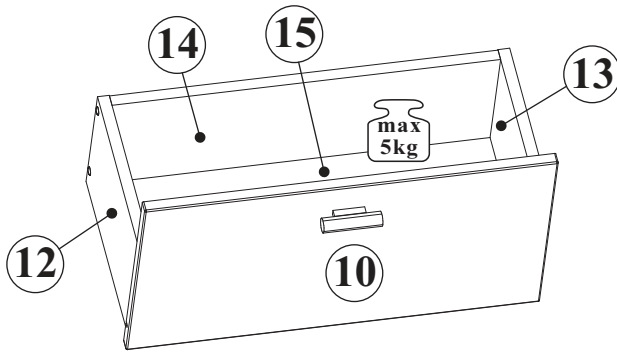
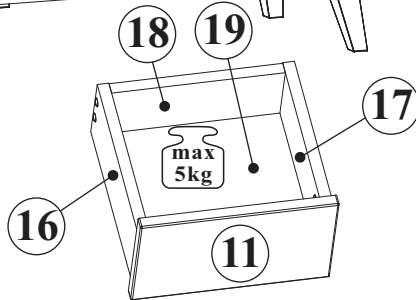
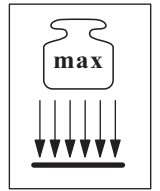
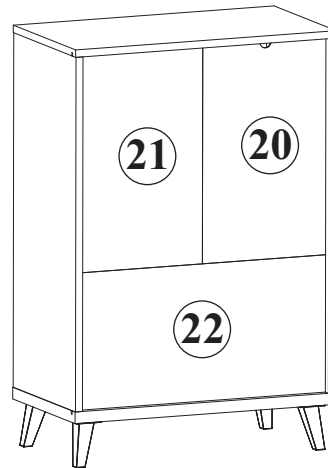
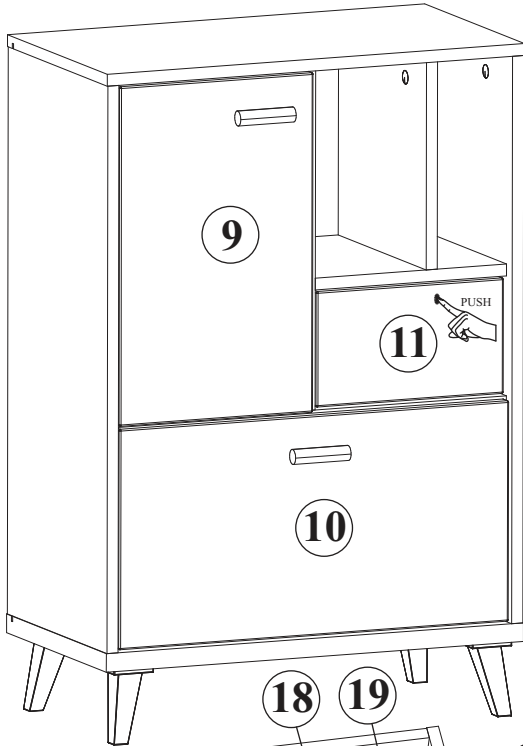
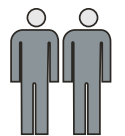


LEONE 36-032-__-6

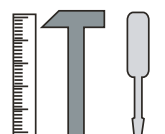


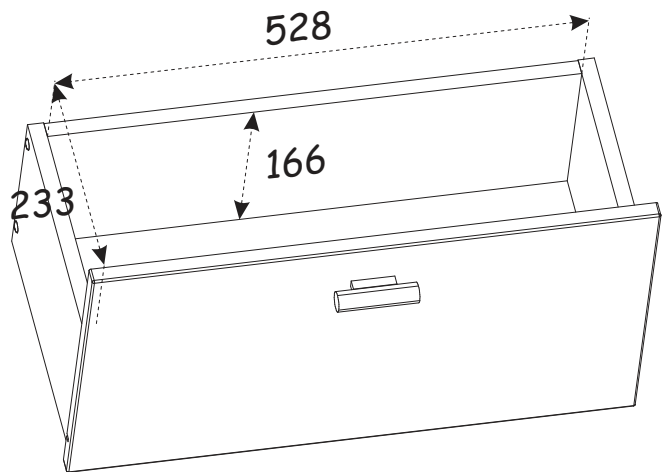
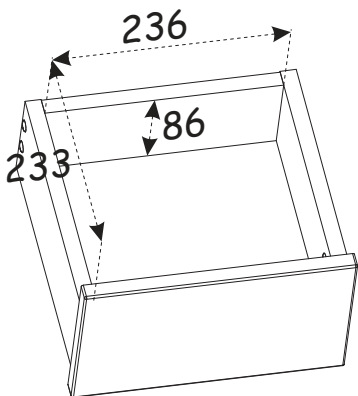
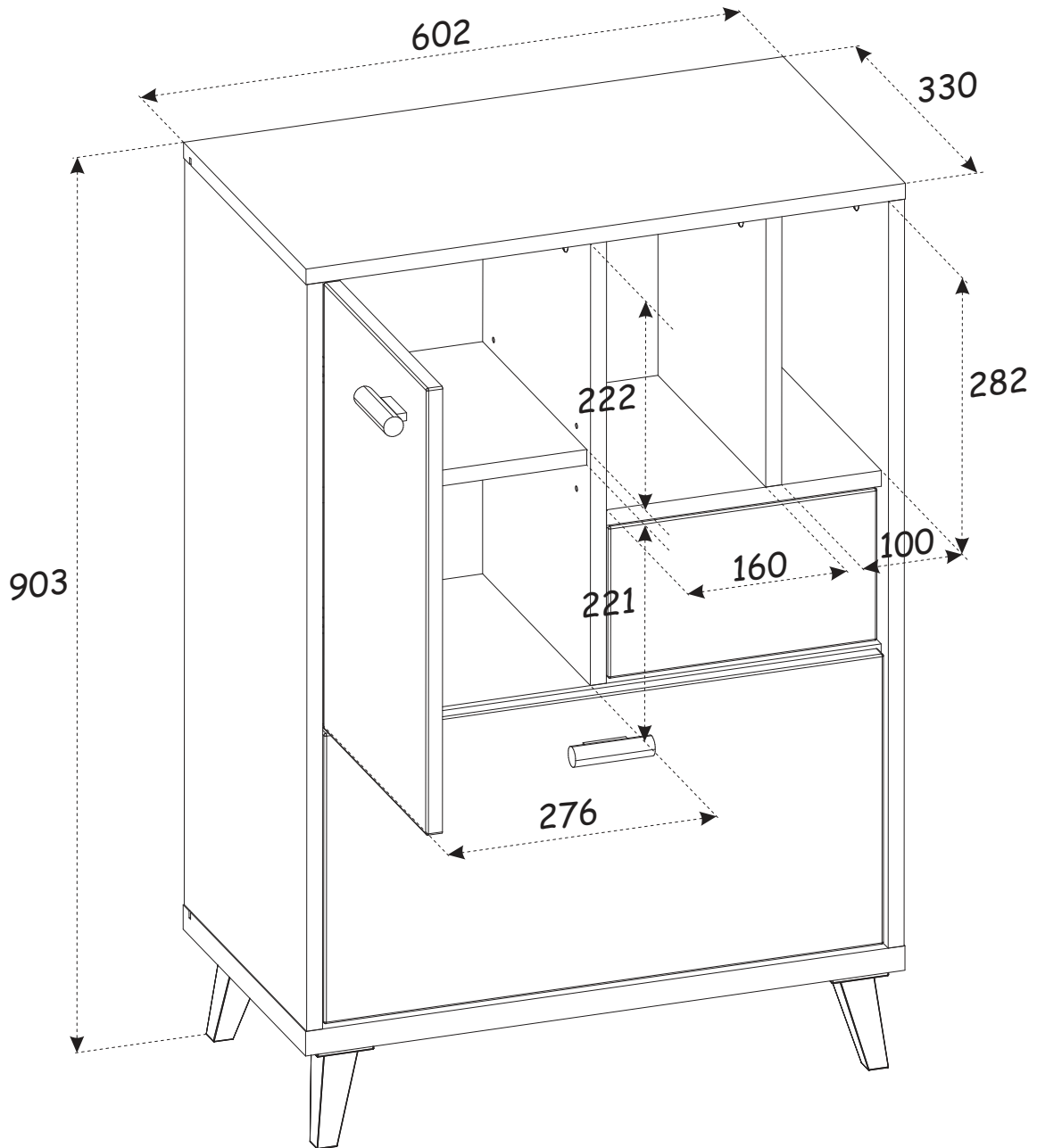
NO	Dim.[mm]			Col.-No	Qty
1	762	330	16	1	1
2	762	330	16	1	1
3	602	330	16	1	1
4	602	330	25	1	1
5	459	291	16	1	1
6	568	291	16	1	1
7	276	291	16	1	1
8	282	291	16	1	1
9	456	279	16	1	1
10	562	296	16	1	1
11	270	155	16	1	1
12	250	180	16	1	1
13	250	180	16	1	1
14	528	166	16	1	1
15	254	540	3	1	1

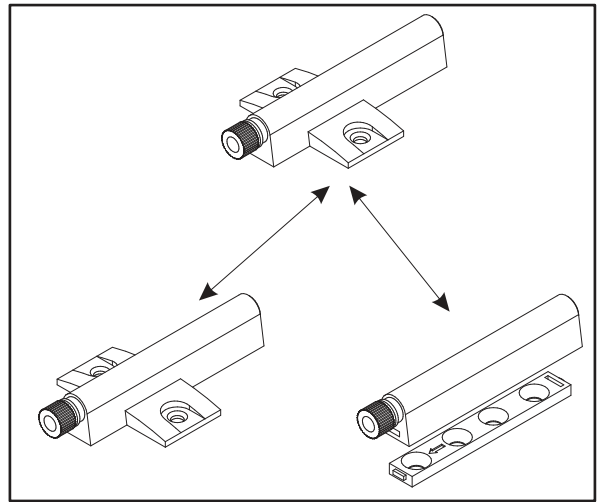
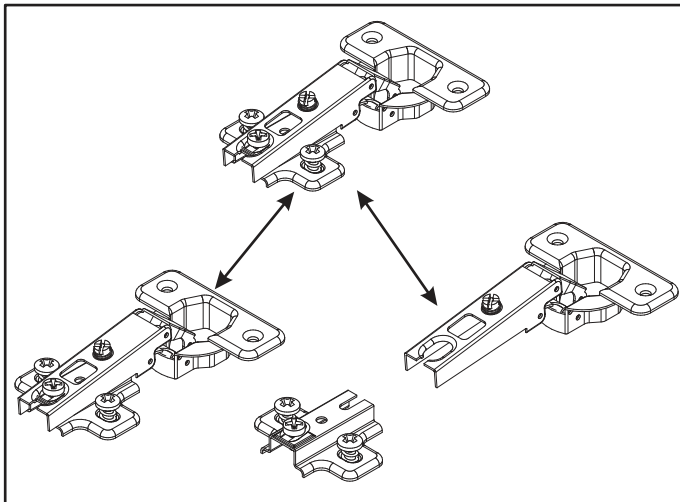
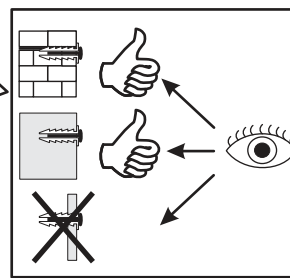
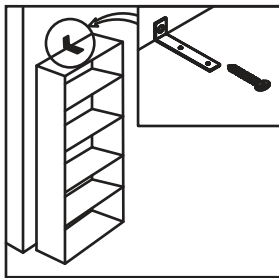
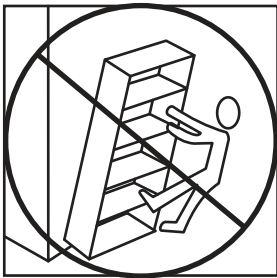
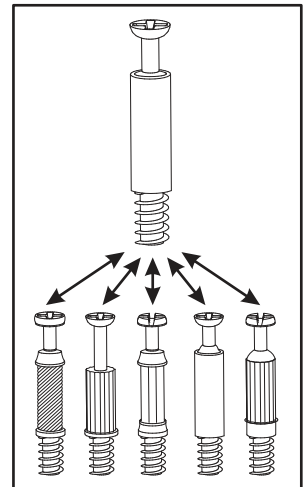
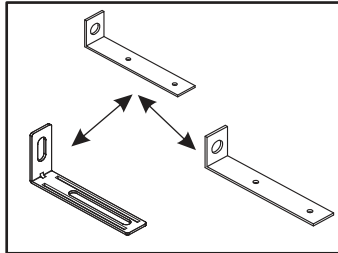
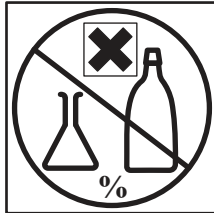
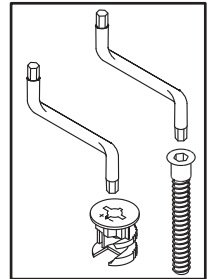
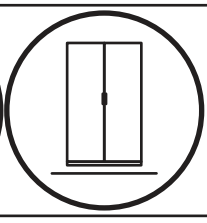
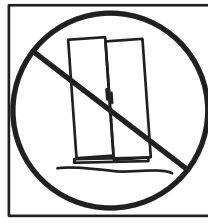
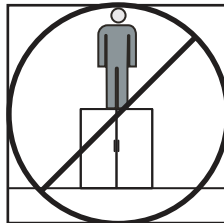
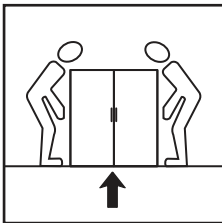
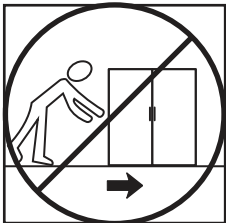
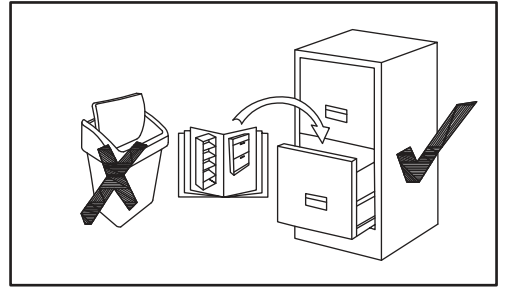
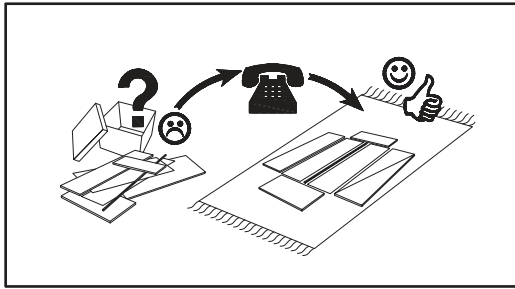
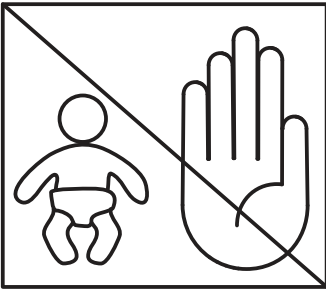
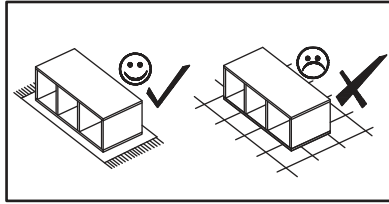
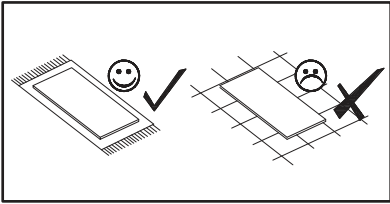
NO	Dim.[mm]			Col.-No	Qty
16	250	100	16	1	1
17	250	100	16	1	1
18	236	86	16	1	1
19	254	248	3	1	1
20	473	290	3	1	1
21	473	290	3	1	1
22	580	301	3	1	1
23	276	281	16	1	1

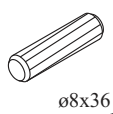
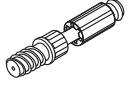




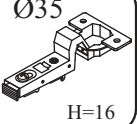
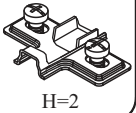
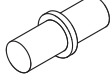

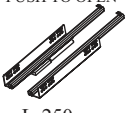
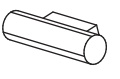
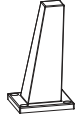
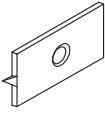
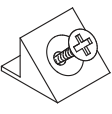





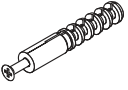
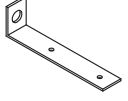



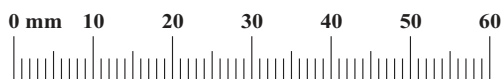
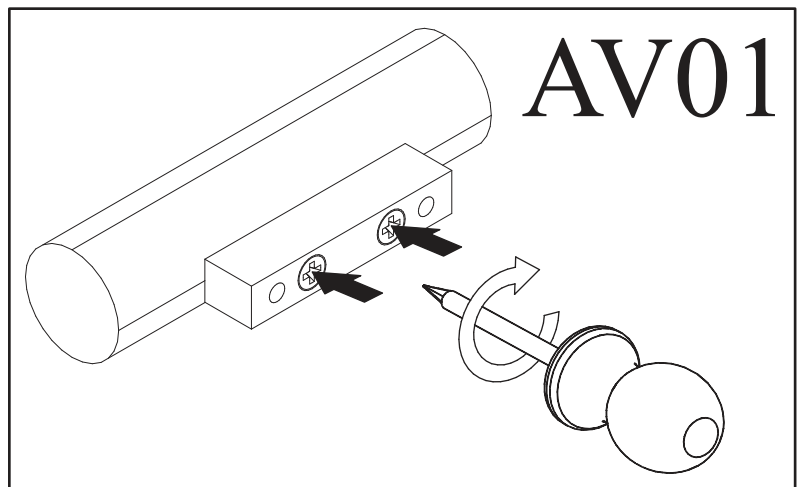
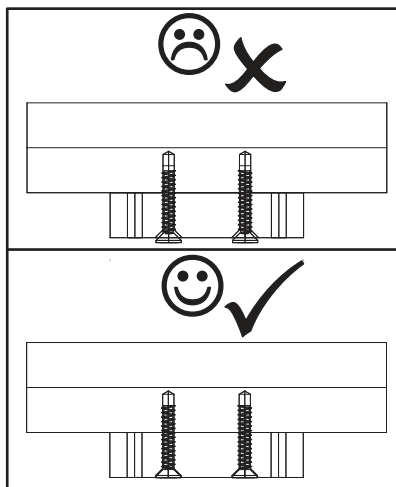
180 min



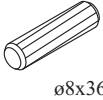
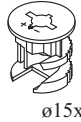
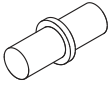
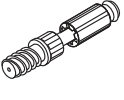


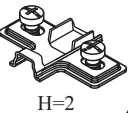


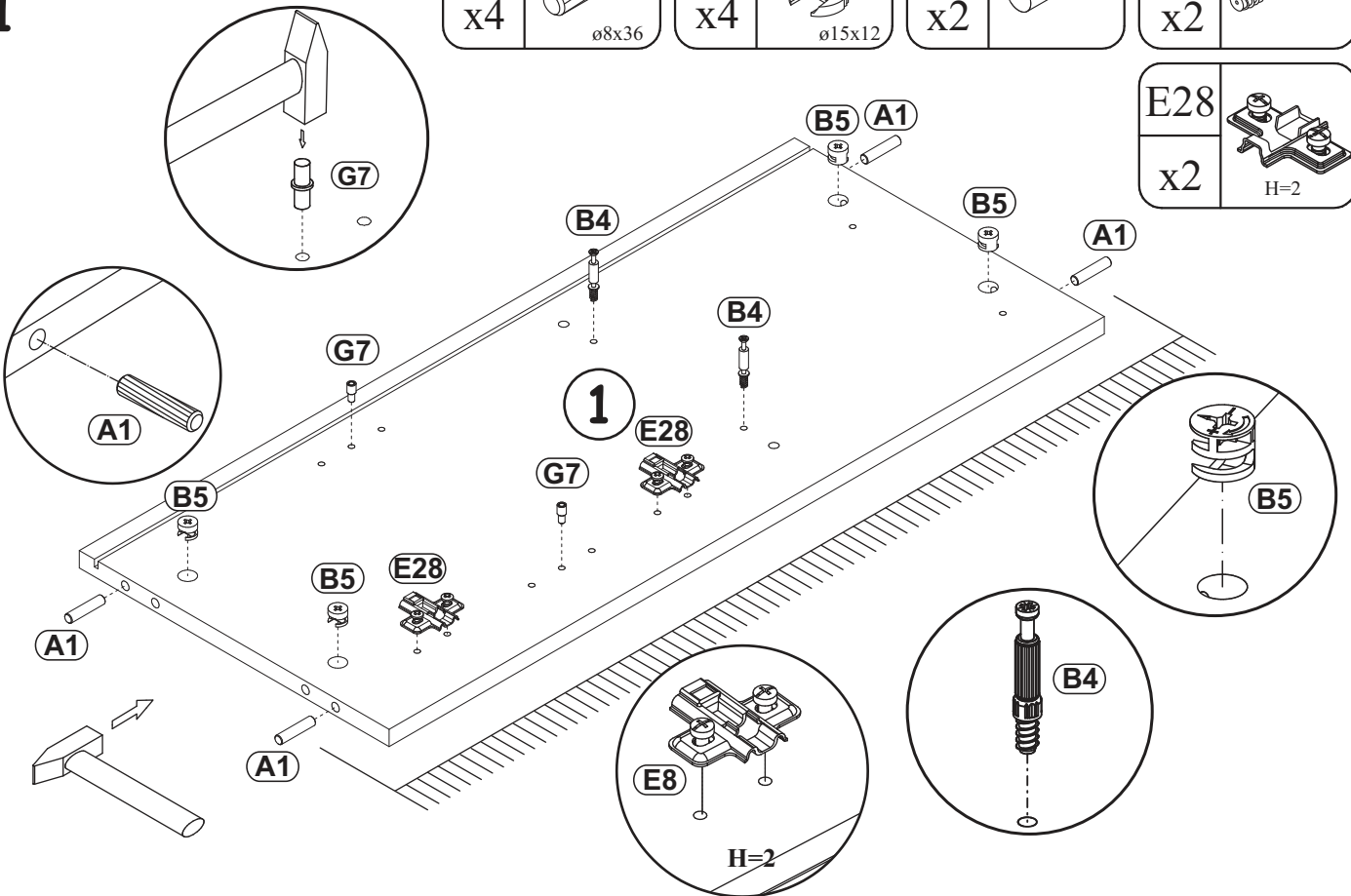
A1 x30  ø8x36	B4 x26 	B5 x26  ø15x12	G5 x22 	B11 x12  ø7x50	G4 x12 
E17 x2  Ø35 H=16	E28 x2  H=2	G7 x4 	QU x1  L-250	QUP x1  L-250mm PUSH TO OPEN	AV01 x2  L-80mm.
ST24 x4 	G16 x7 	S1 x17 	D10 x14  USØ3,5x13	D20 x8  ESØ6x9,5	D26 x4  M4x22
D13 x16  USØ3,5x20	UP13 x13  UPØ3x16	KR1 x1 	L1 x1 	G2 x1 	






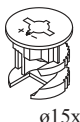
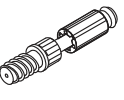
1


A1 x4	 ø8x36	B5 x4	 ø15x12	G7 x2		B4 x2	
-----------------	--	-----------------	---	-----------------	---	-----------------	---

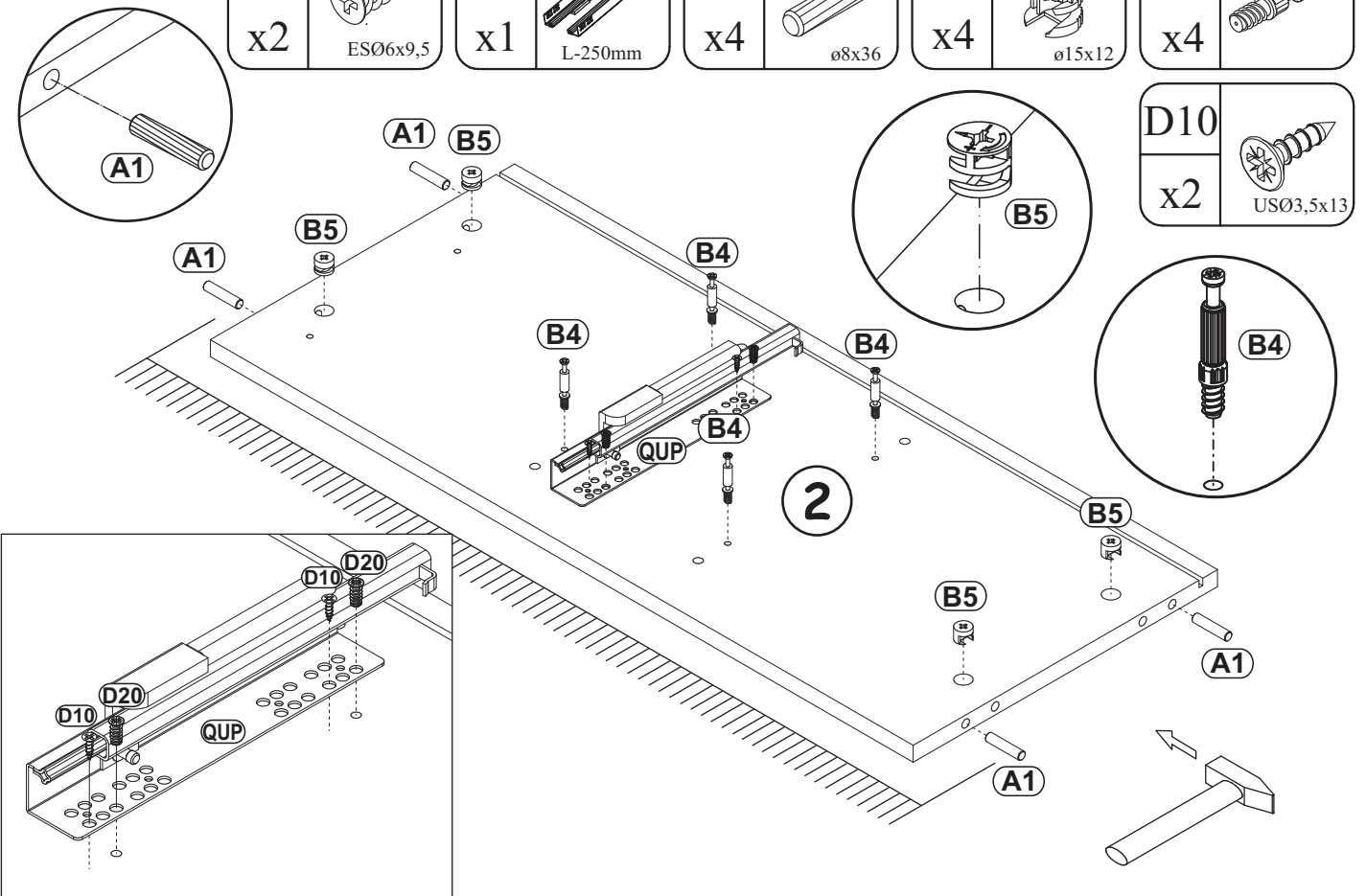
E28 x2	 H=2
------------------	--



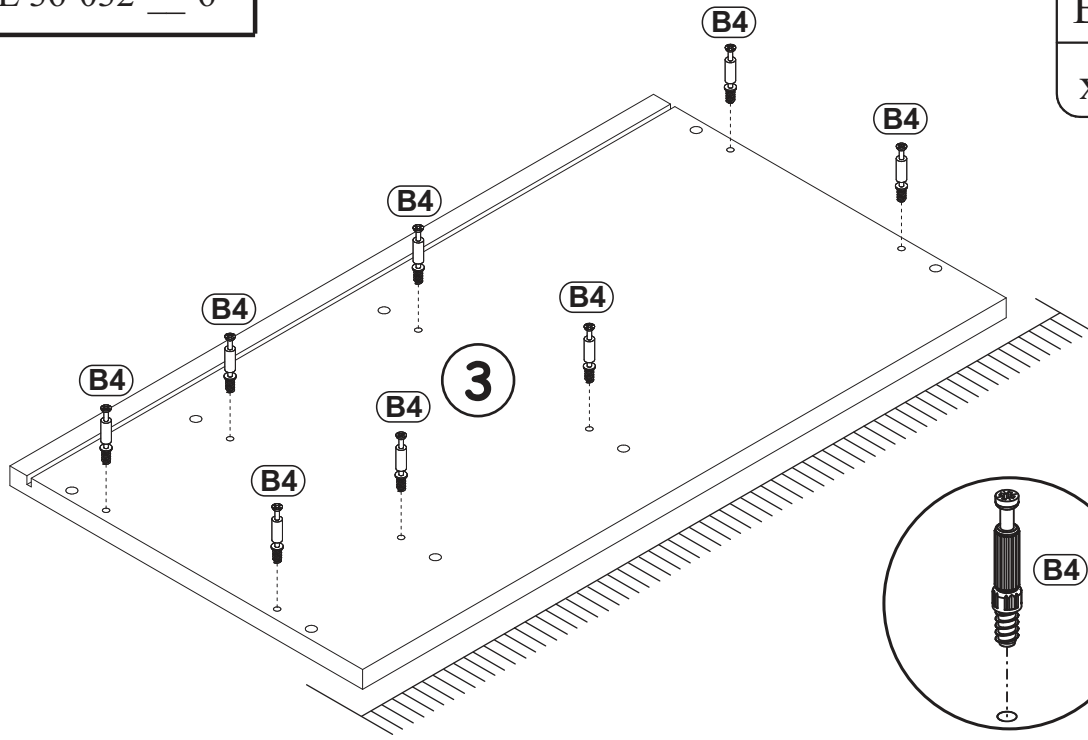
2

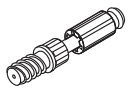
D20 x2	 ES06x9,5	QUP x1	 PUSH TO OPEN L-250mm	A1 x4	 ø8x36	B5 x4	 ø15x12	B4 x4	
------------------	---	------------------	--	-----------------	---	-----------------	---	-----------------	---

D10 x2	 US03,5x13
------------------	--

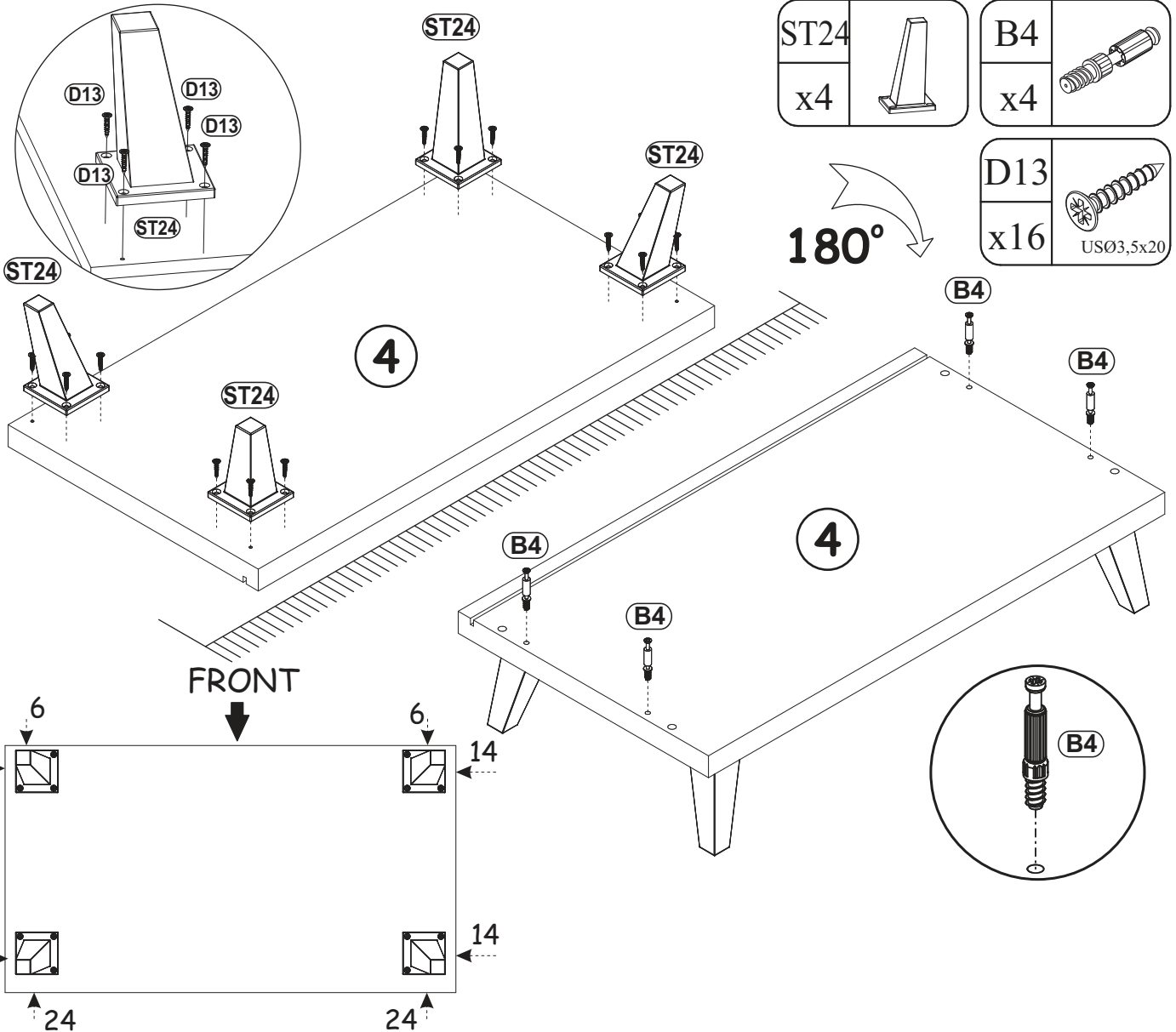


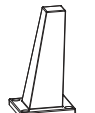
3

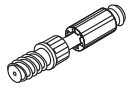



B4	
x8	

4




ST24	
x4	

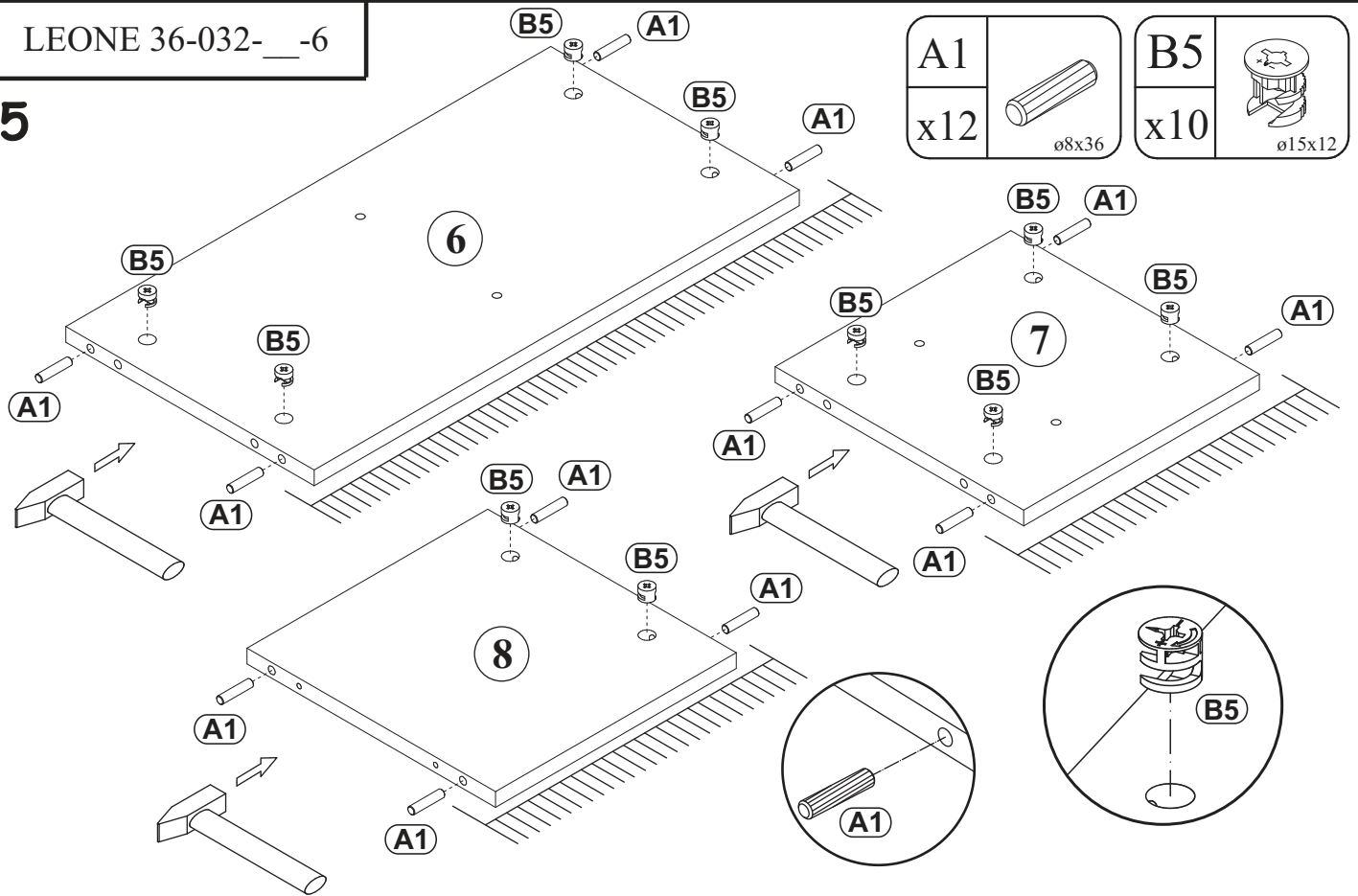
B4	
x4	

D13	
x16	USØ3,5x20

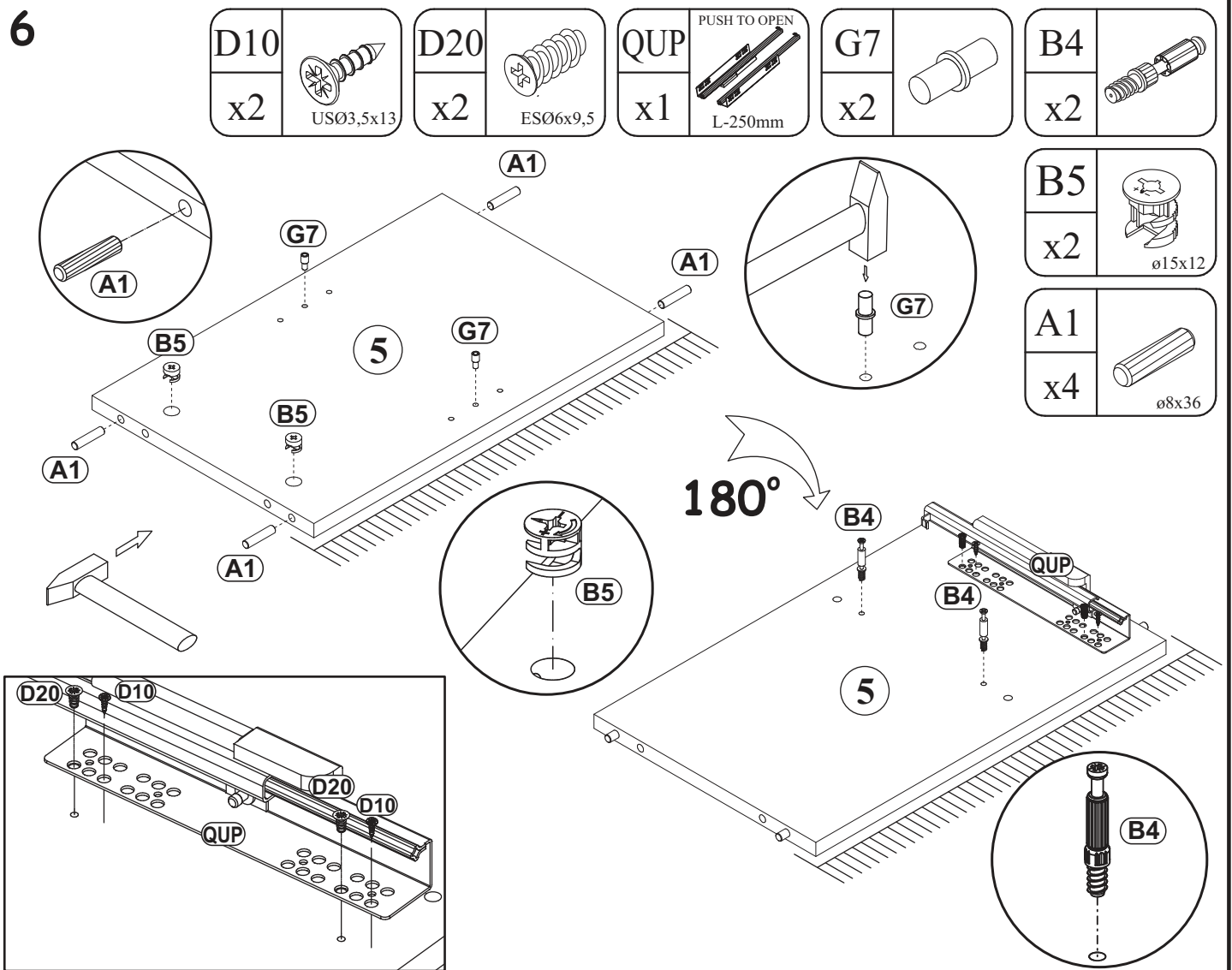
180°

	B4
---	----

5

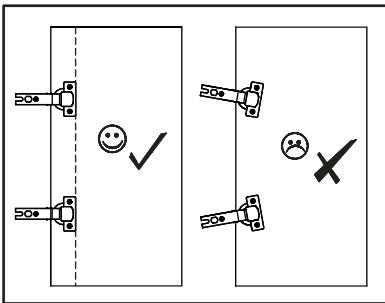
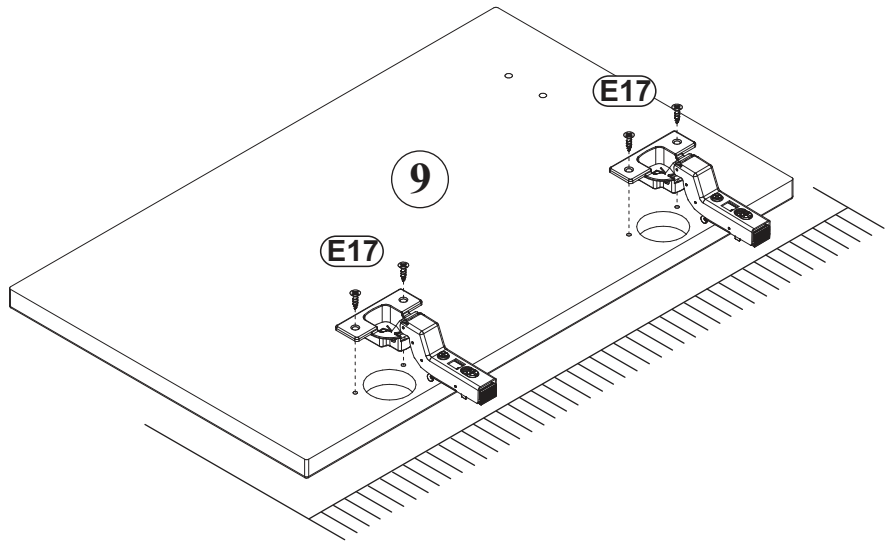
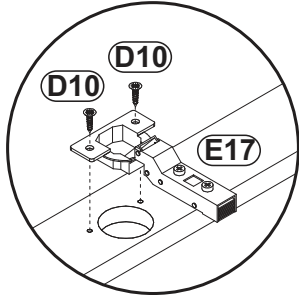


6



7

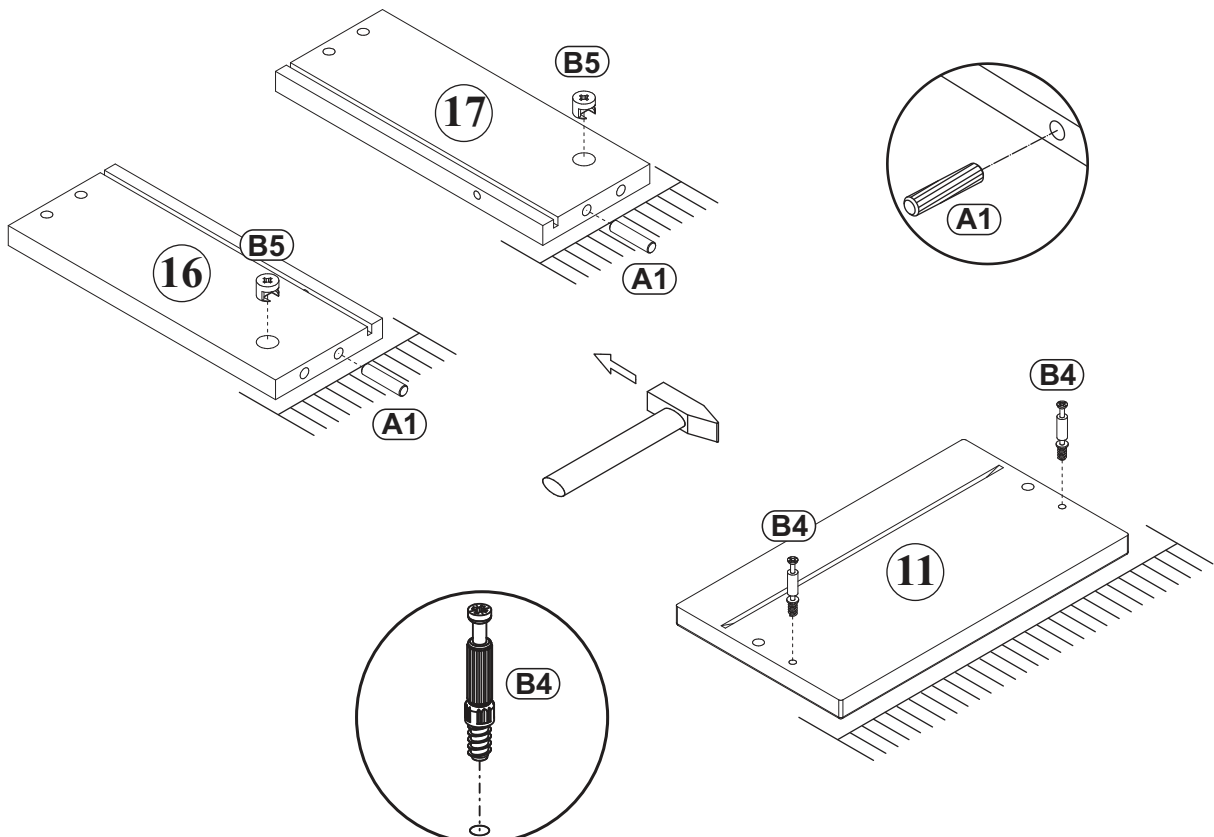
E17	Ø35 H=16	D10	USØ3,5x13
x2		x4	




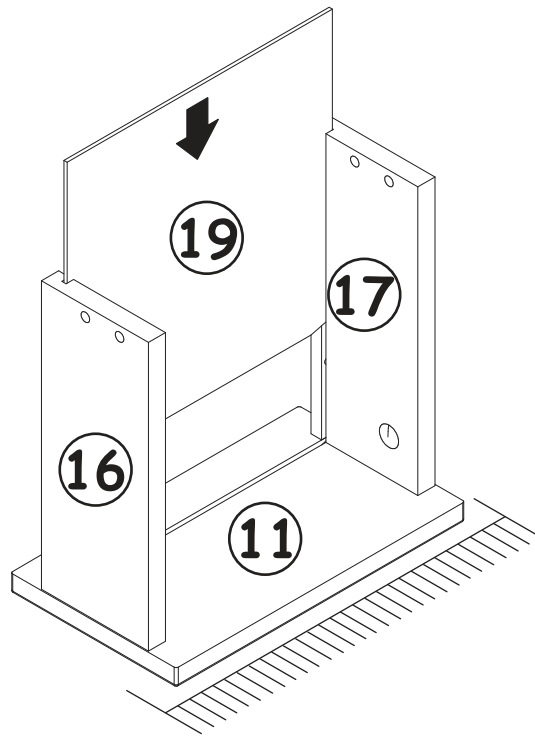
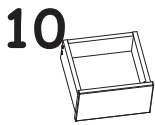
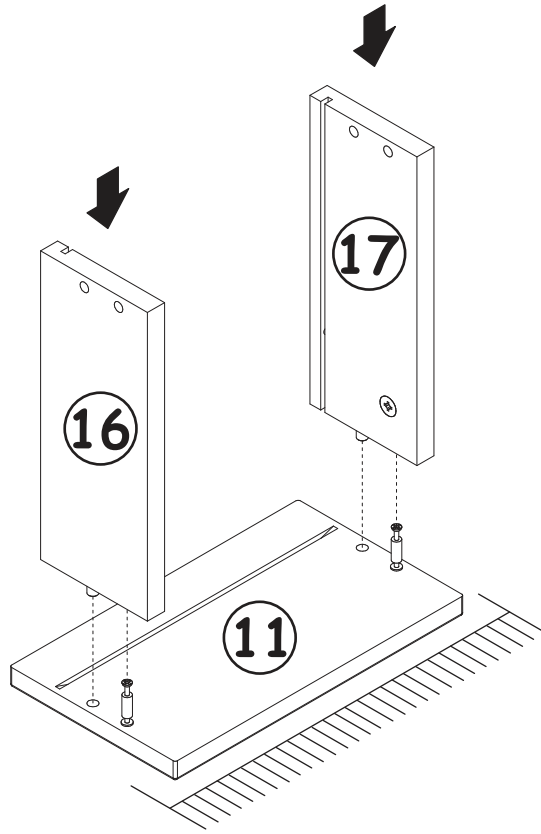
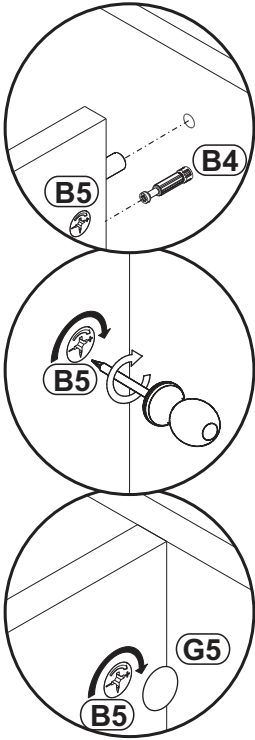
8



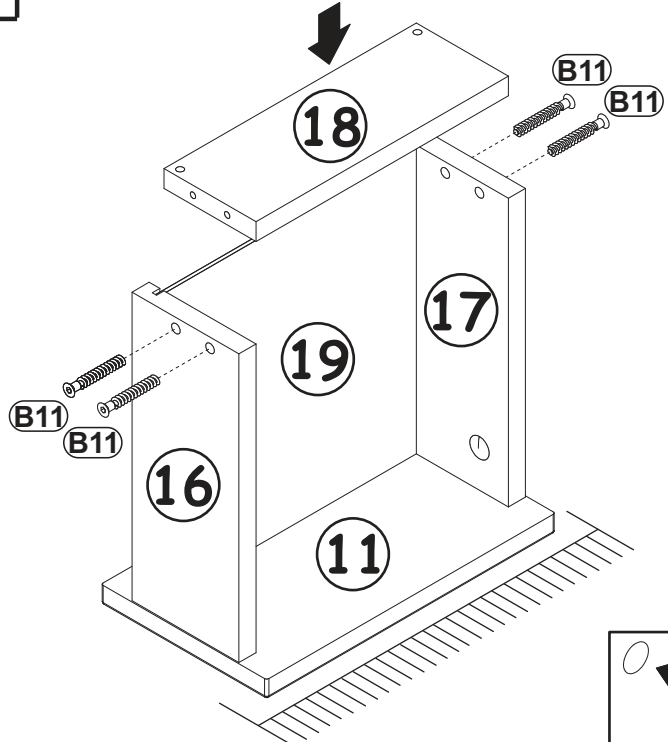
B4	A1	B5
x2	x2	x2
	ø8x36 	ø15x12





G5	
x2	

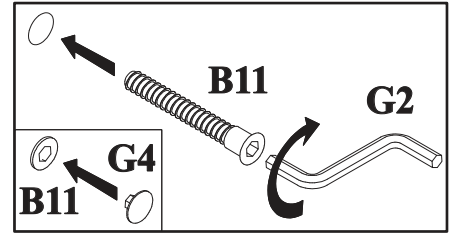
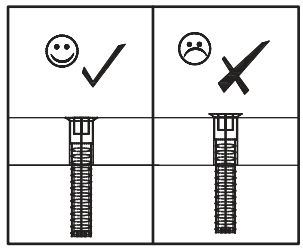


11 



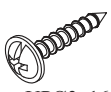
B11	
x4	Ø7x50


G4	
x4	

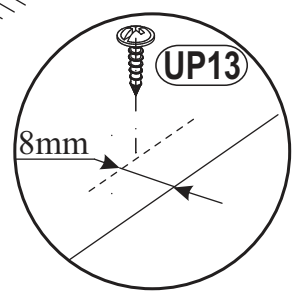
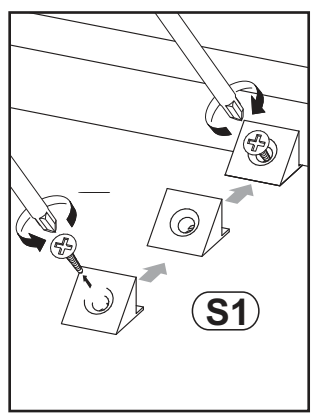
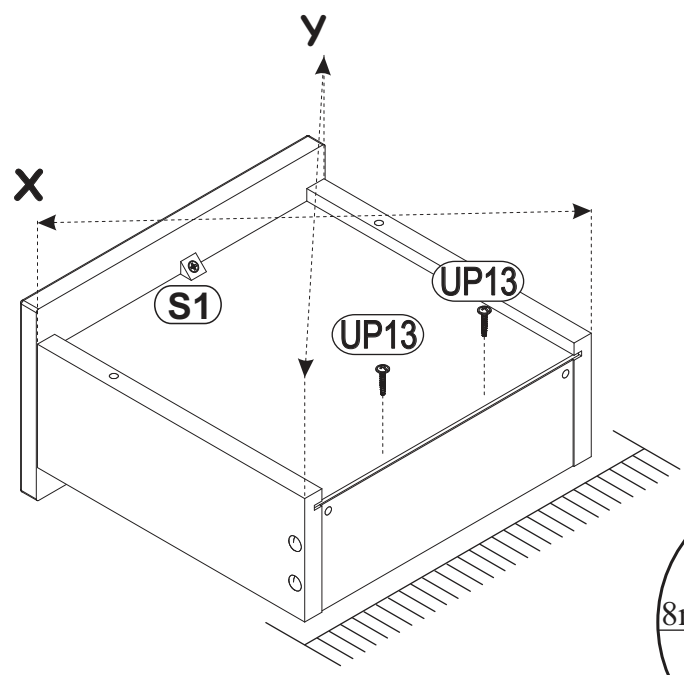


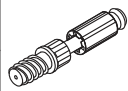
12 

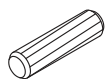


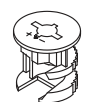
UP13	
x2	UPØ3x16

S1	
x1	

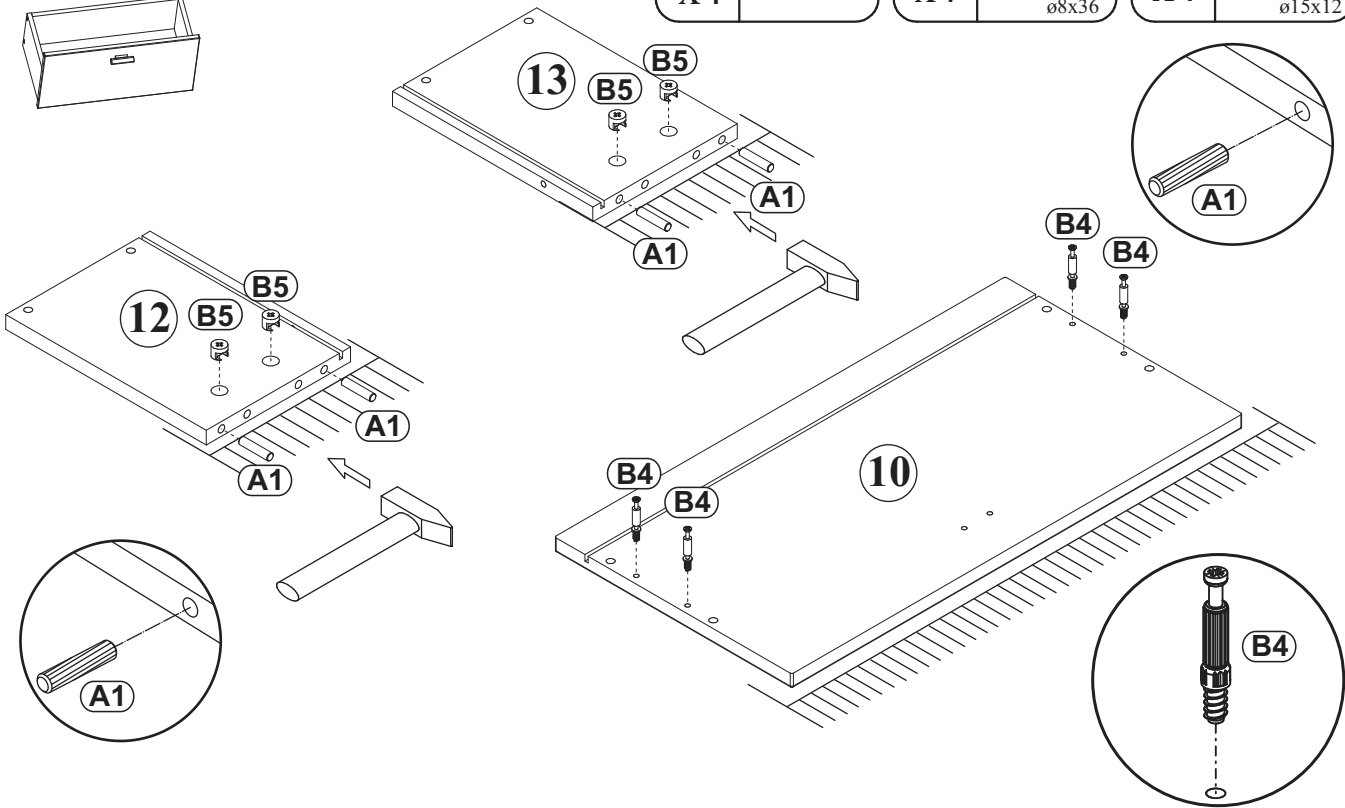
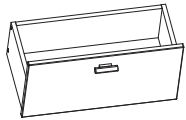


B4	
x4	

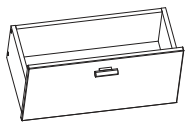
A1	
x4	ø8x36


B5	
x4	ø15x12

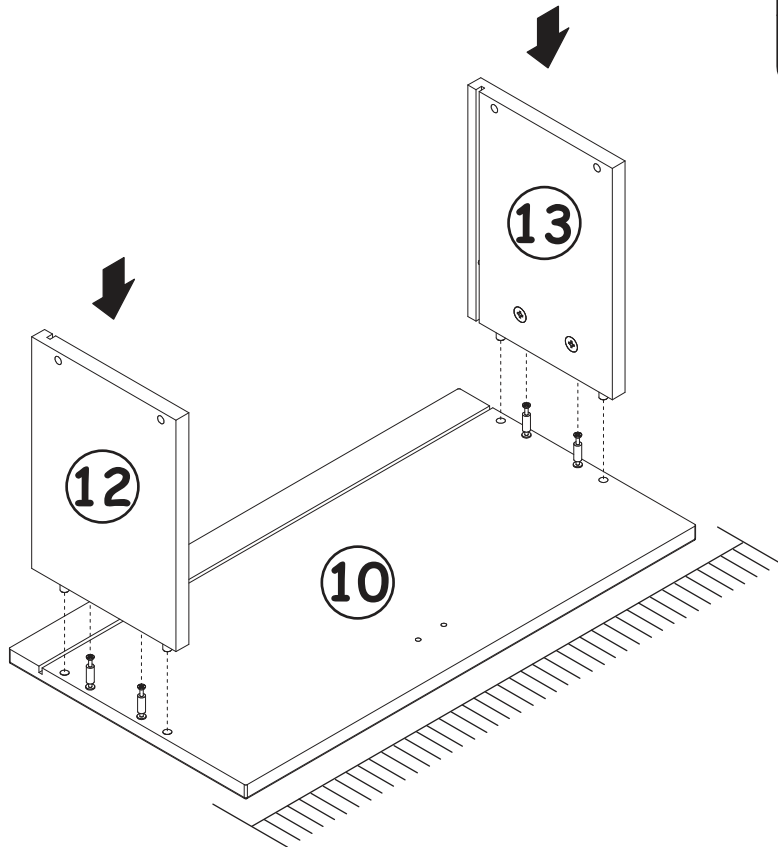
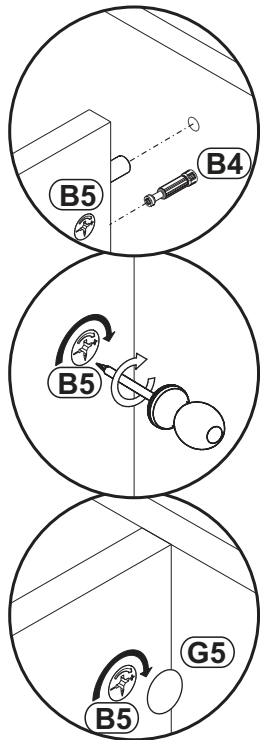
13



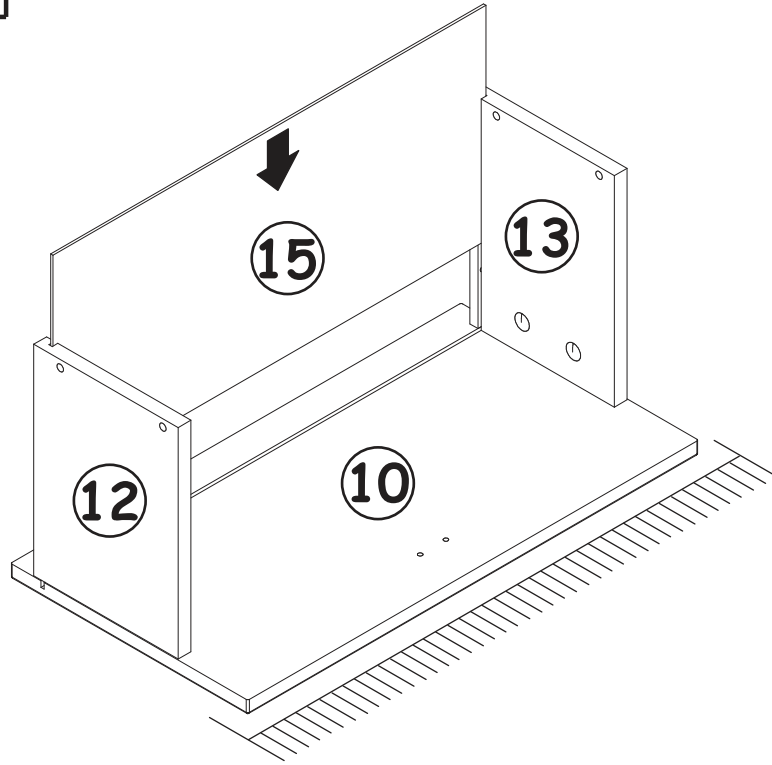
14



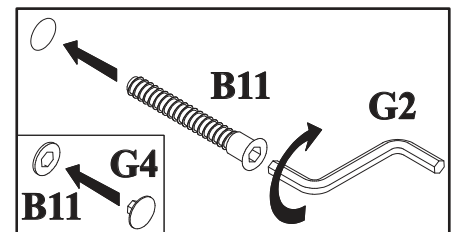
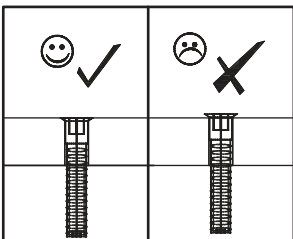
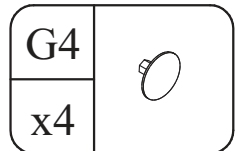
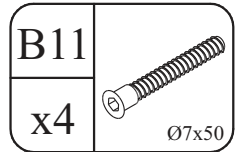
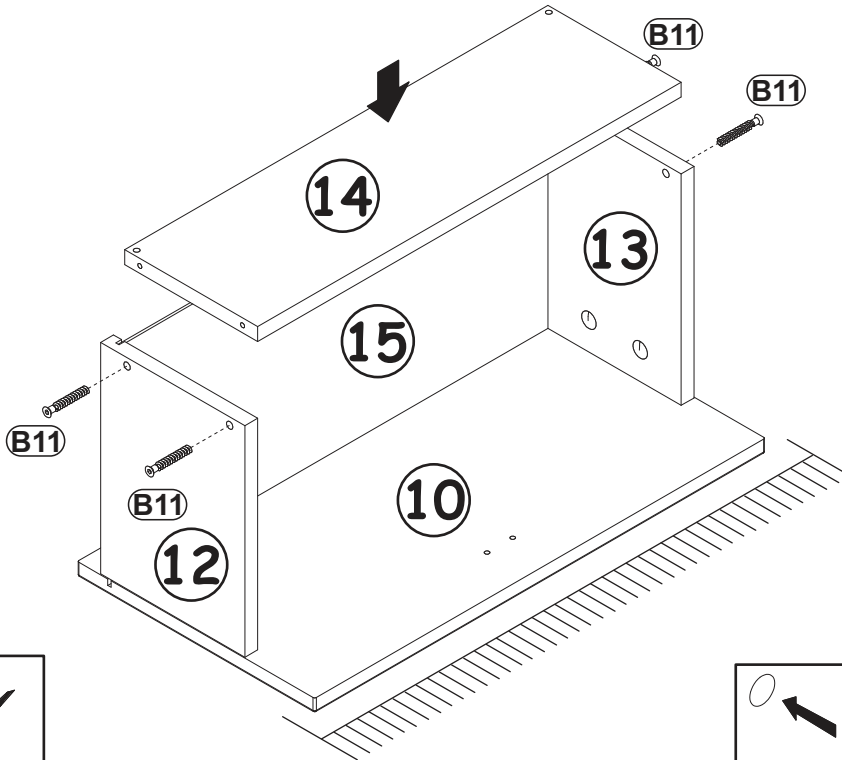
G5	
x4	



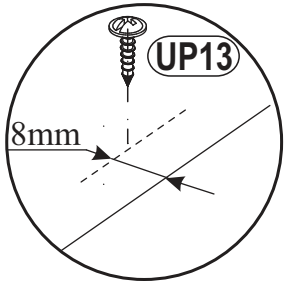
15



16

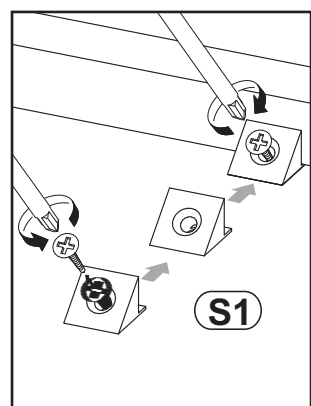
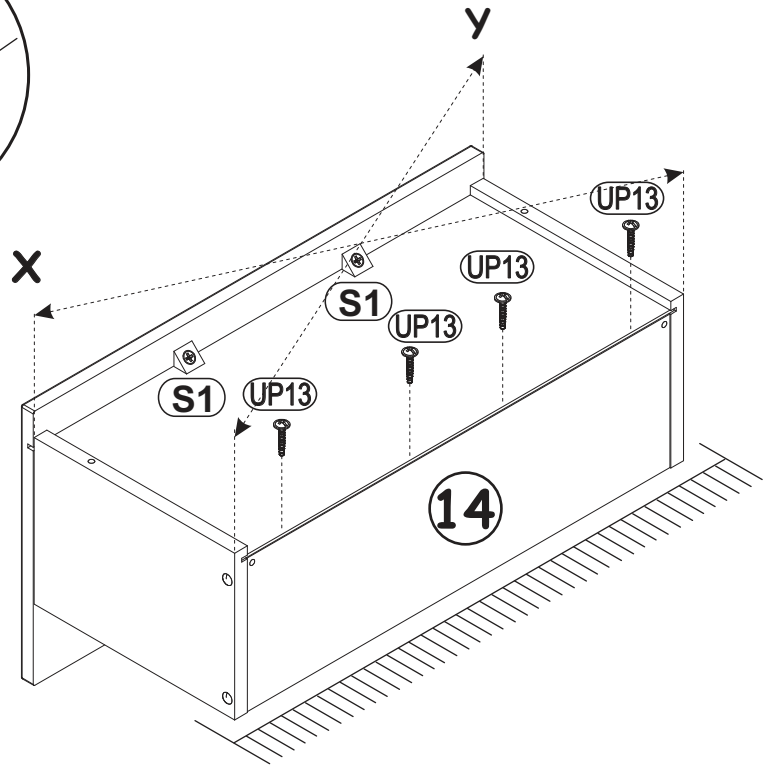


17



UP13	
x4	UPØ3x16

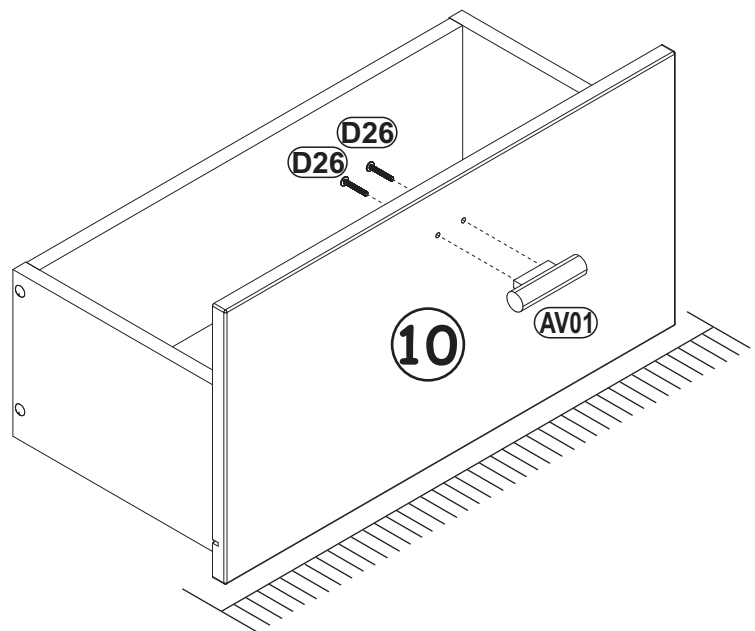
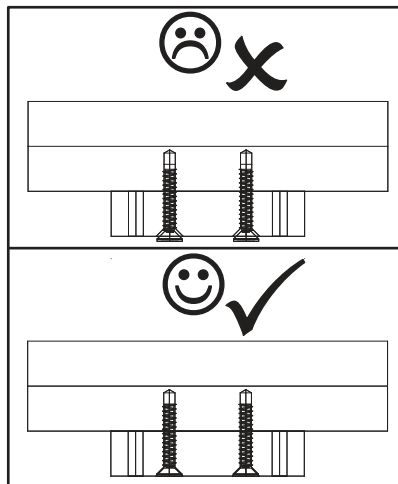
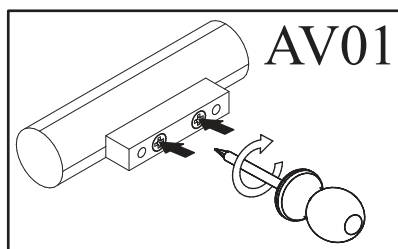
S1	
x2	




18


D26	
x2	M4x22

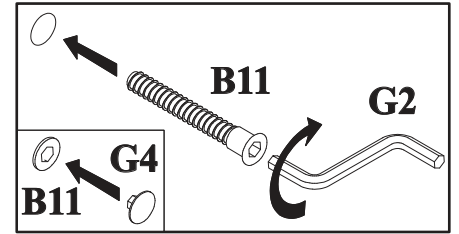
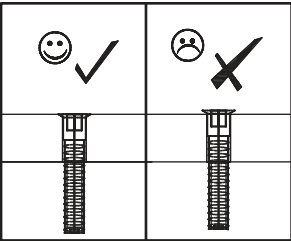
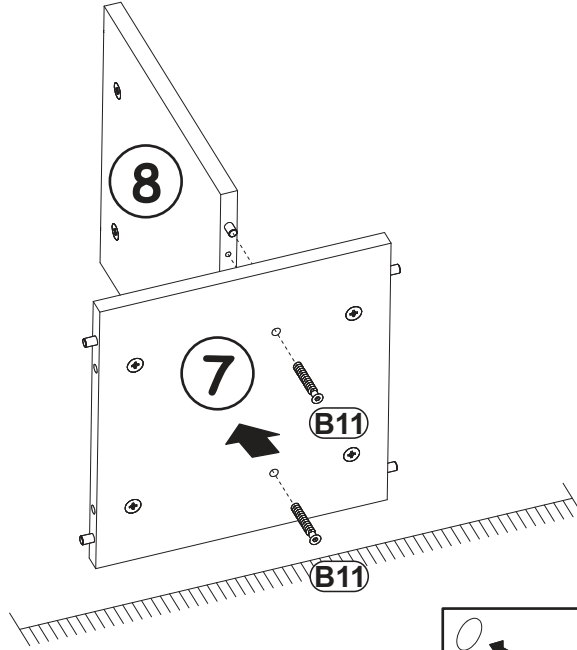
AV01	
x1	L-80mm.




19


G4	
x2	

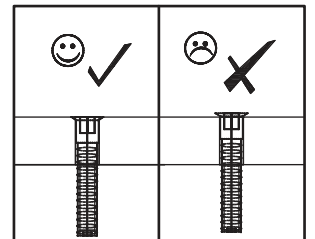
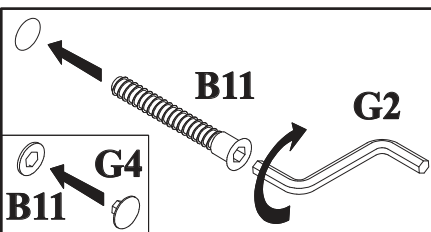
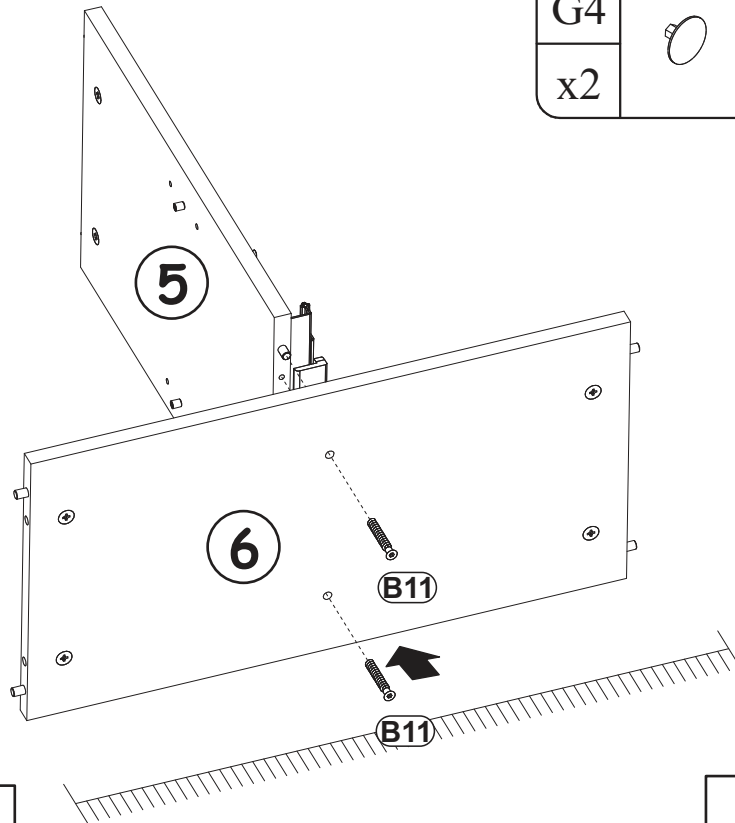
B11	
x2	Ø7x50



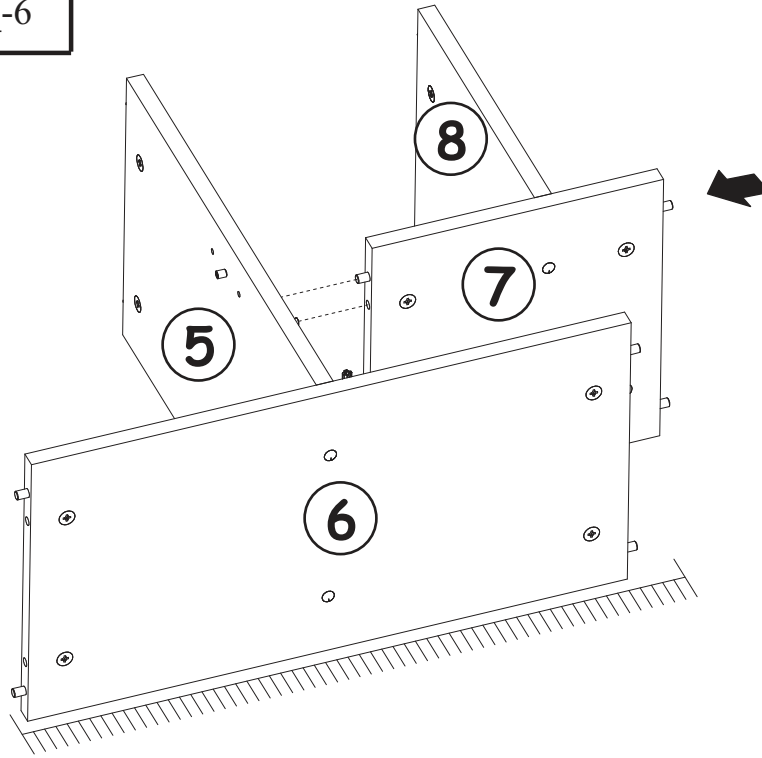
20


G4	
x2	

B11	
x2	Ø7x50

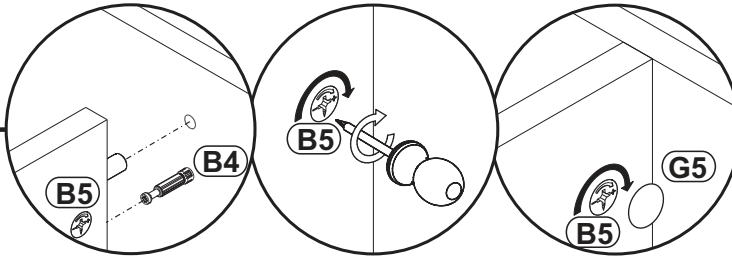



21

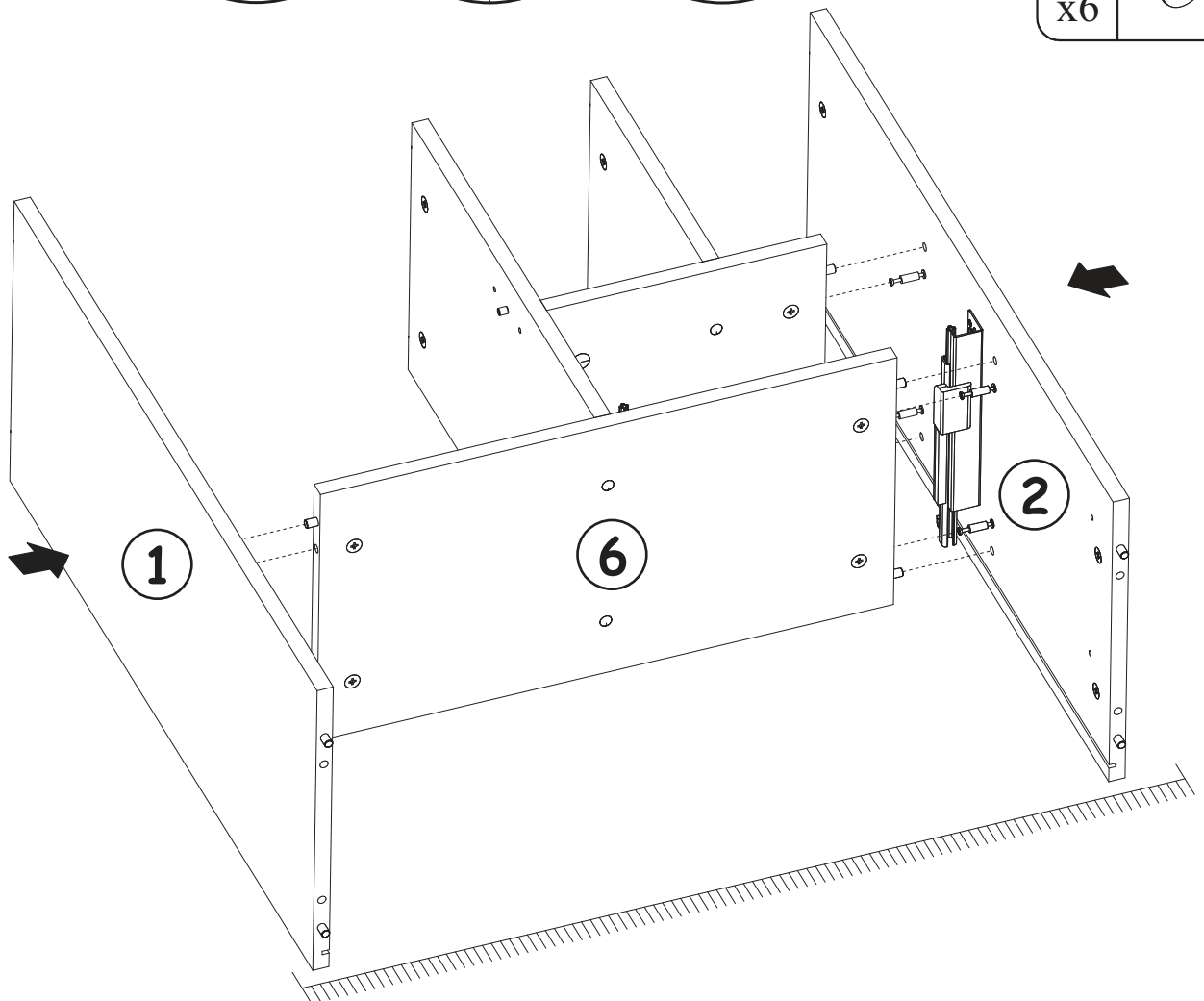


G5	
x2	

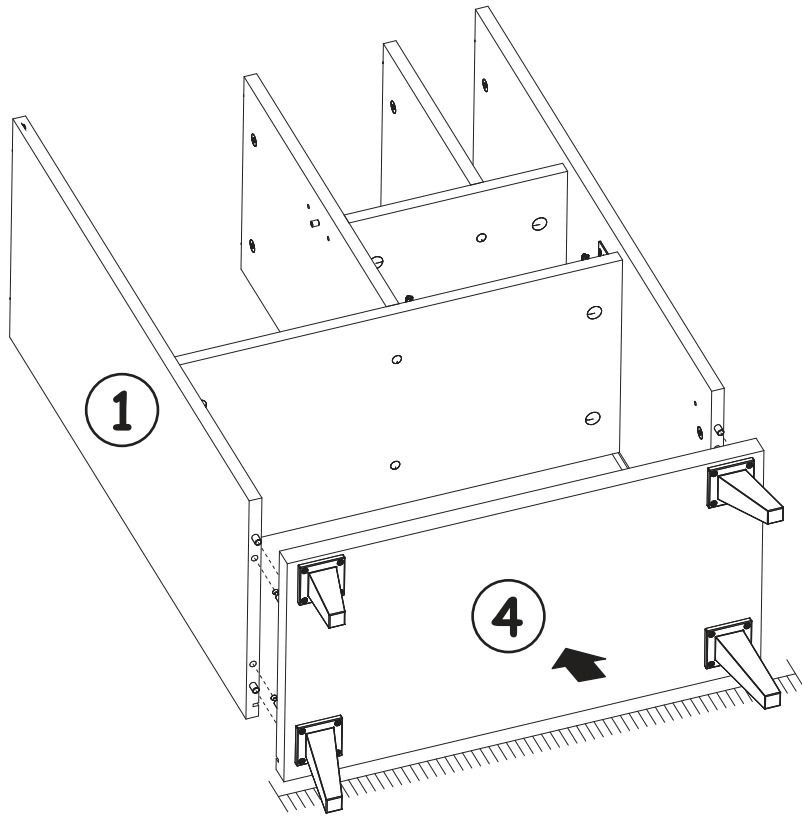
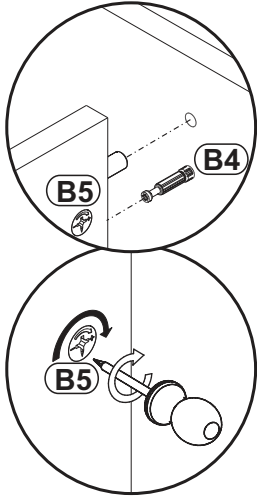
22



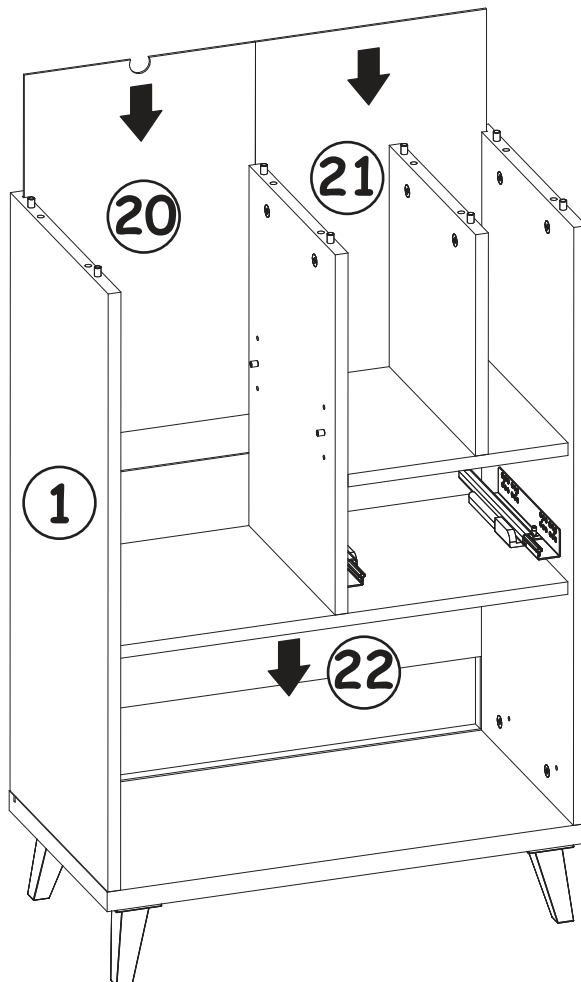
G5	
x6	



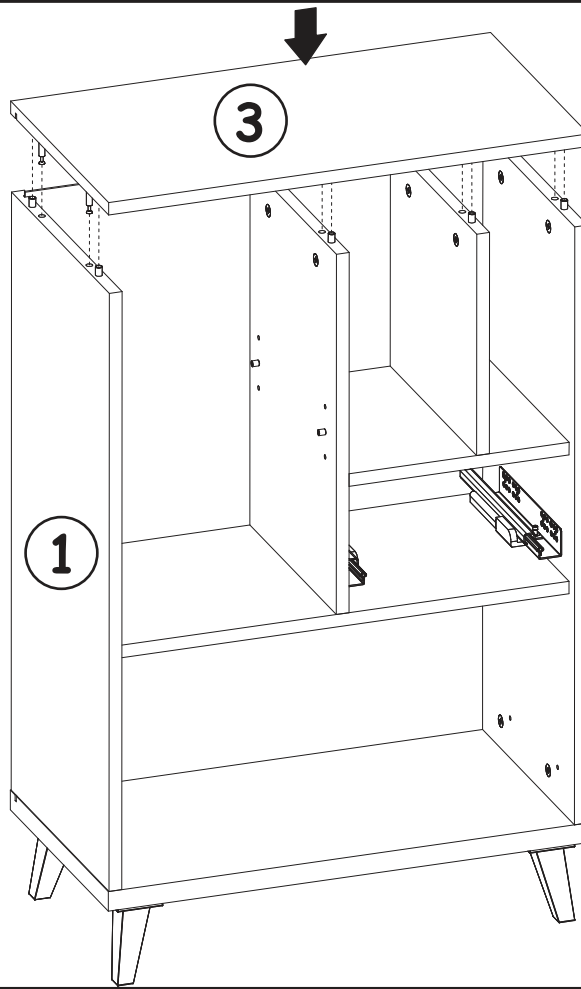
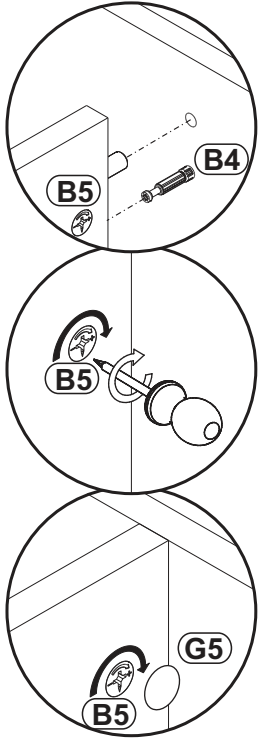
23



24

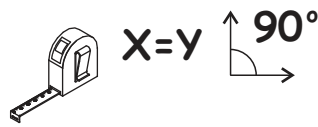
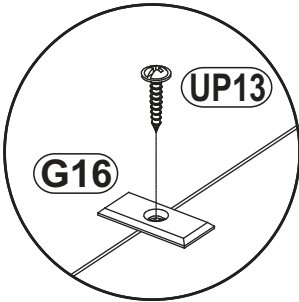


25



G5	
x8	

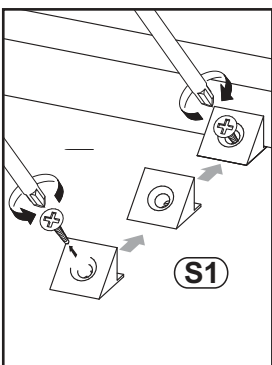
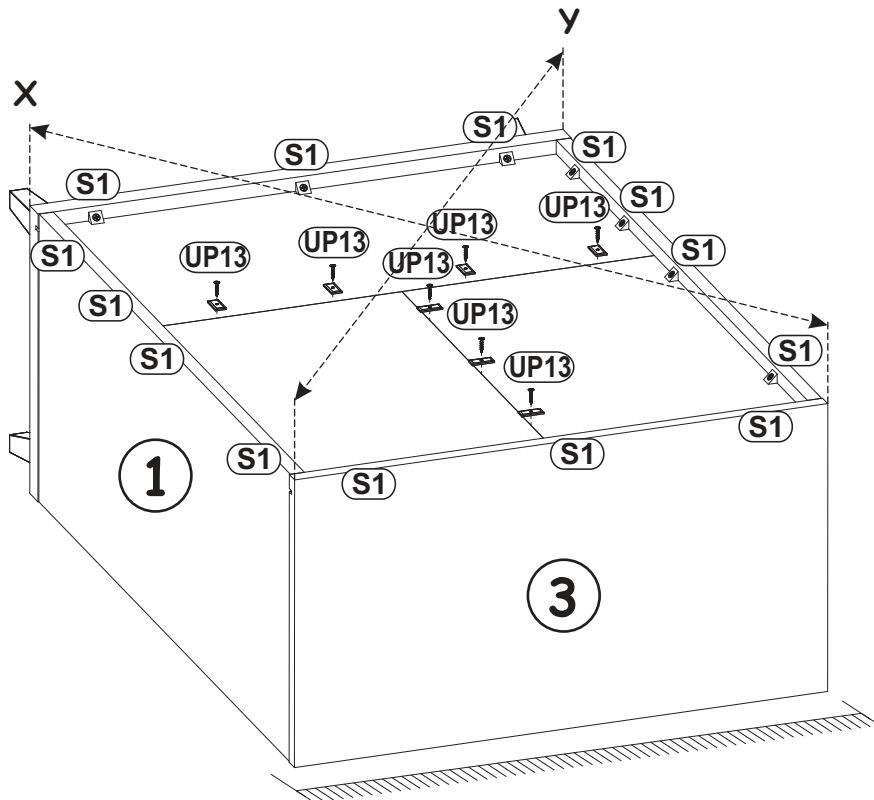
26



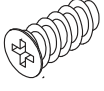
UP13	
x7	UPØ3x16


G16	
x7	

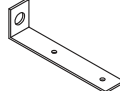
S1	
x14	

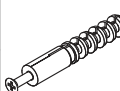



27

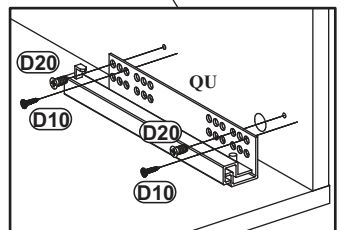
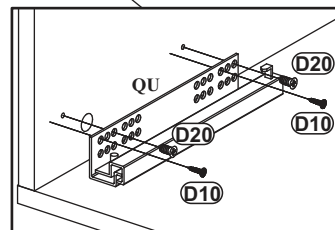
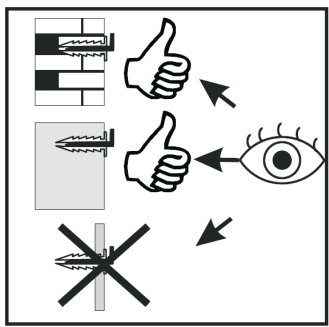
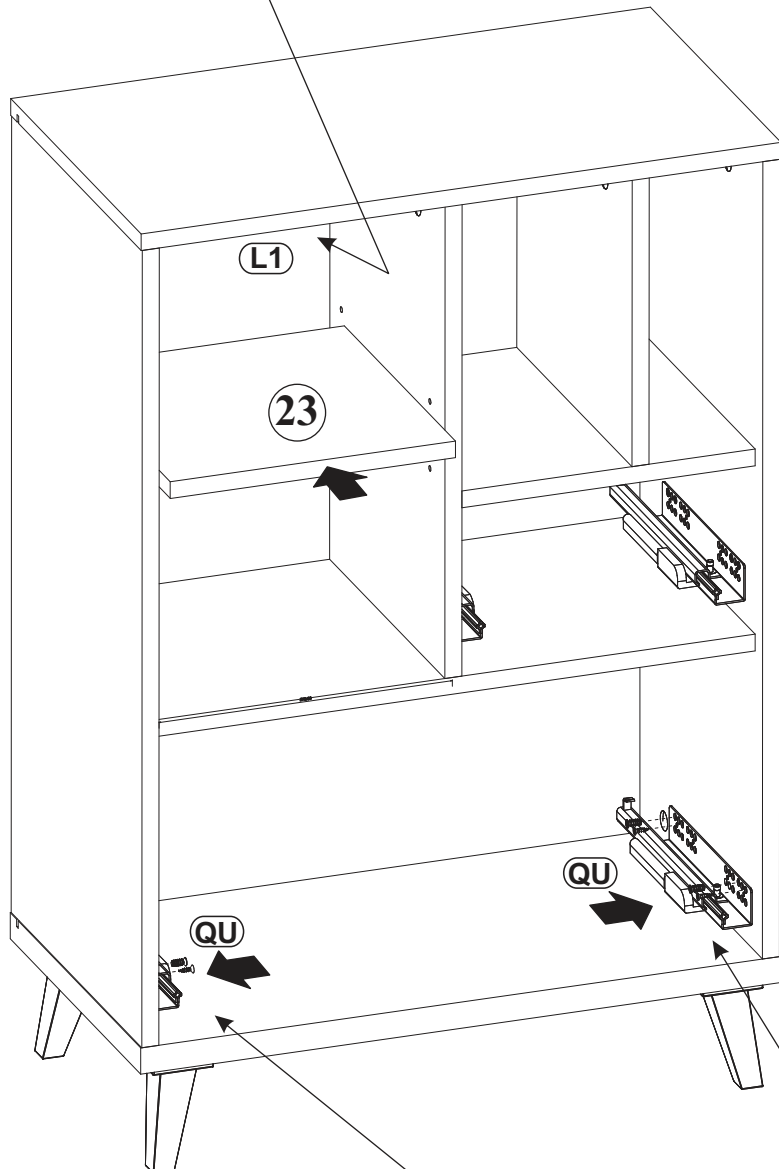
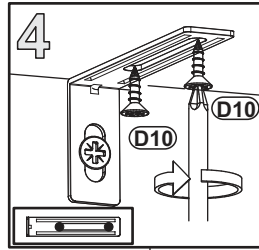
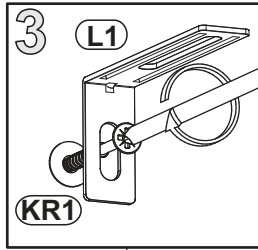
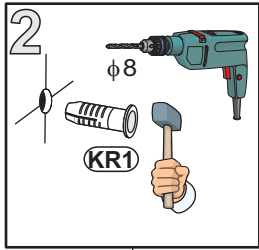
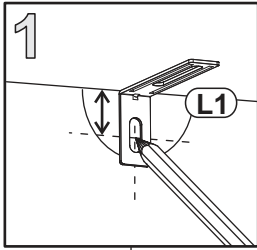
D20	
x4	ESØ6x9,5

QU	
x1	L-250

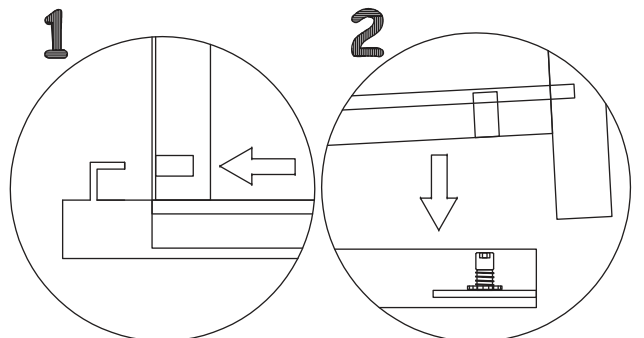
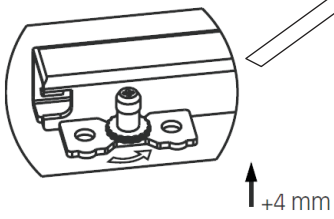
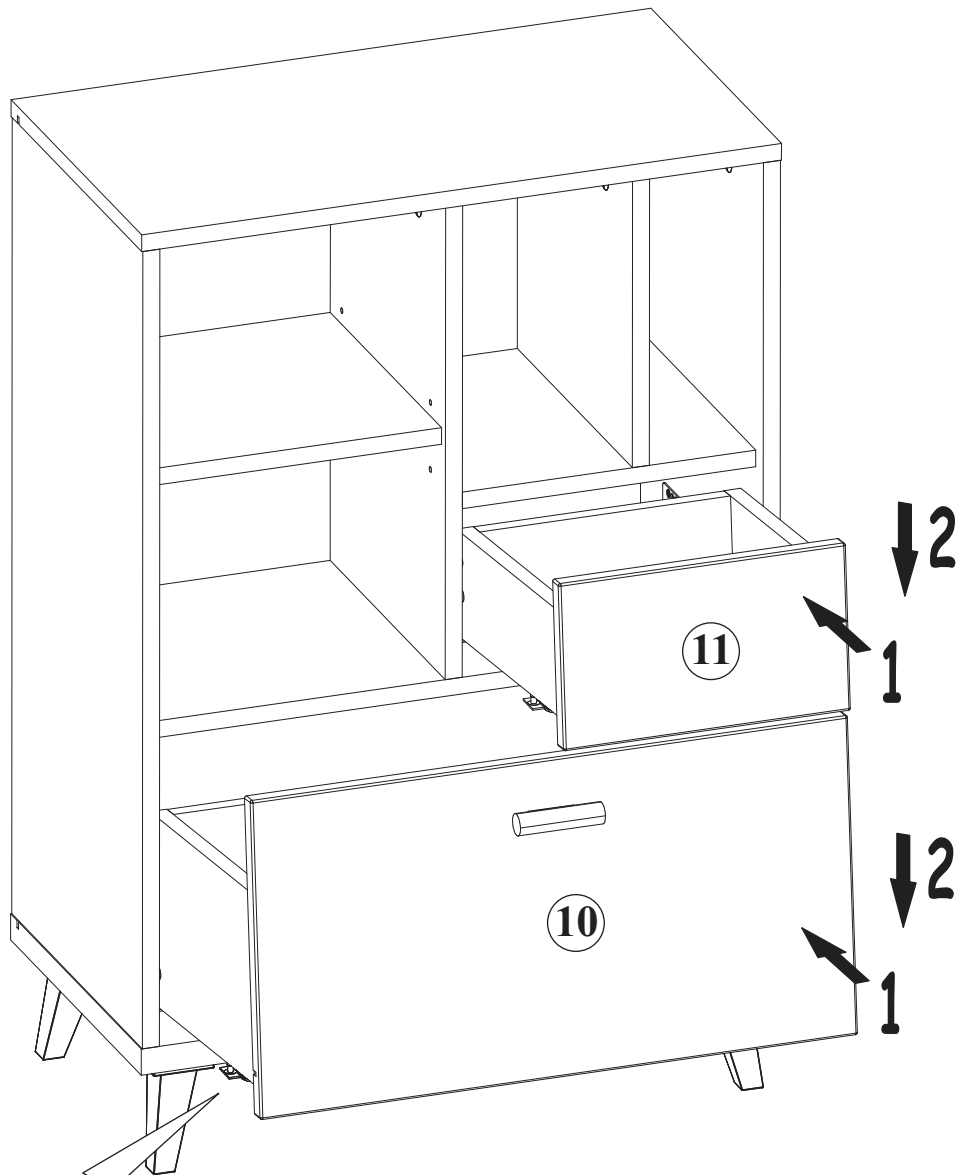
L1	
x1	

KR1	
x1	

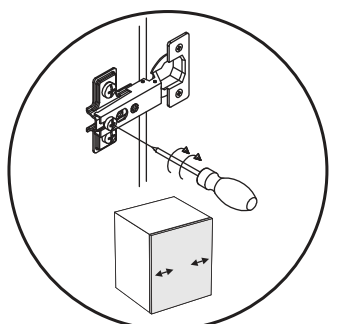
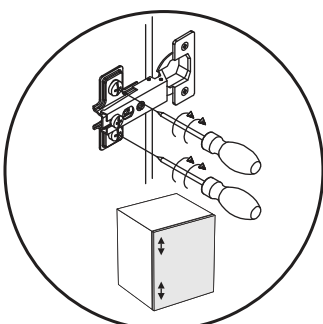
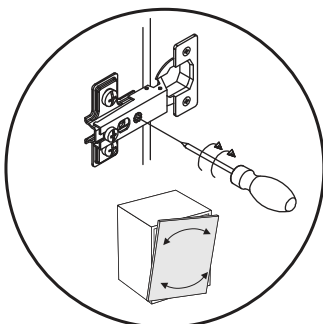
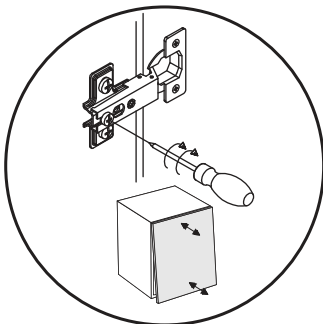
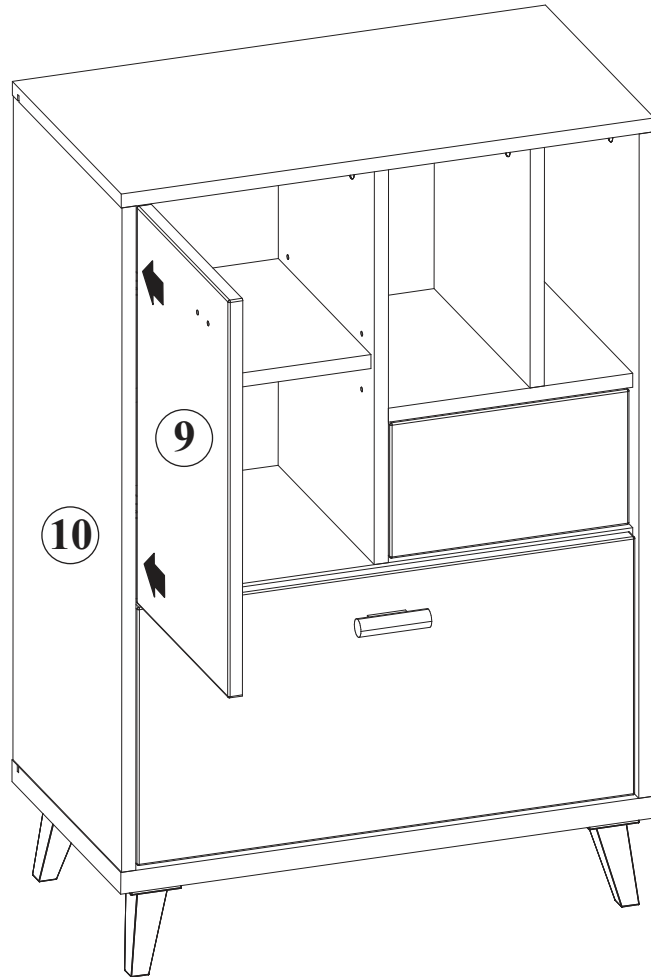
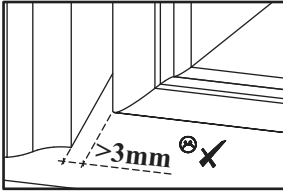
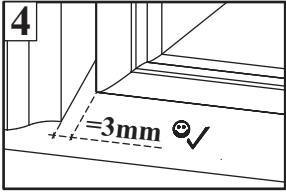
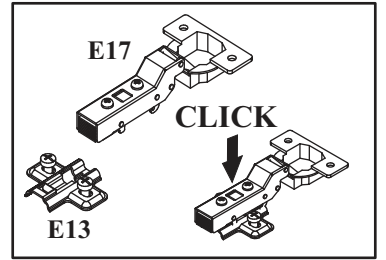
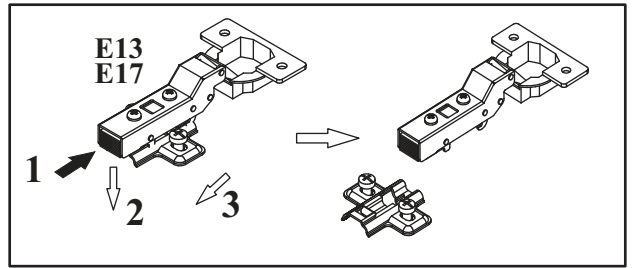
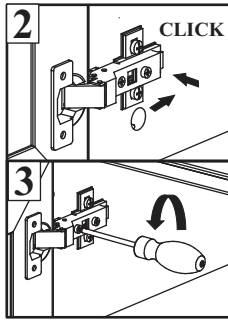
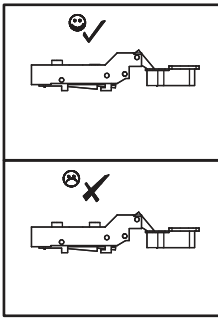
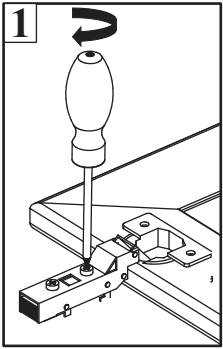
D10	
x6	USØ3,5x13



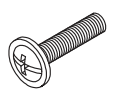
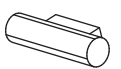
28



29



30

D26		AV01	
x2	M4x22	x1	L-80mm.

