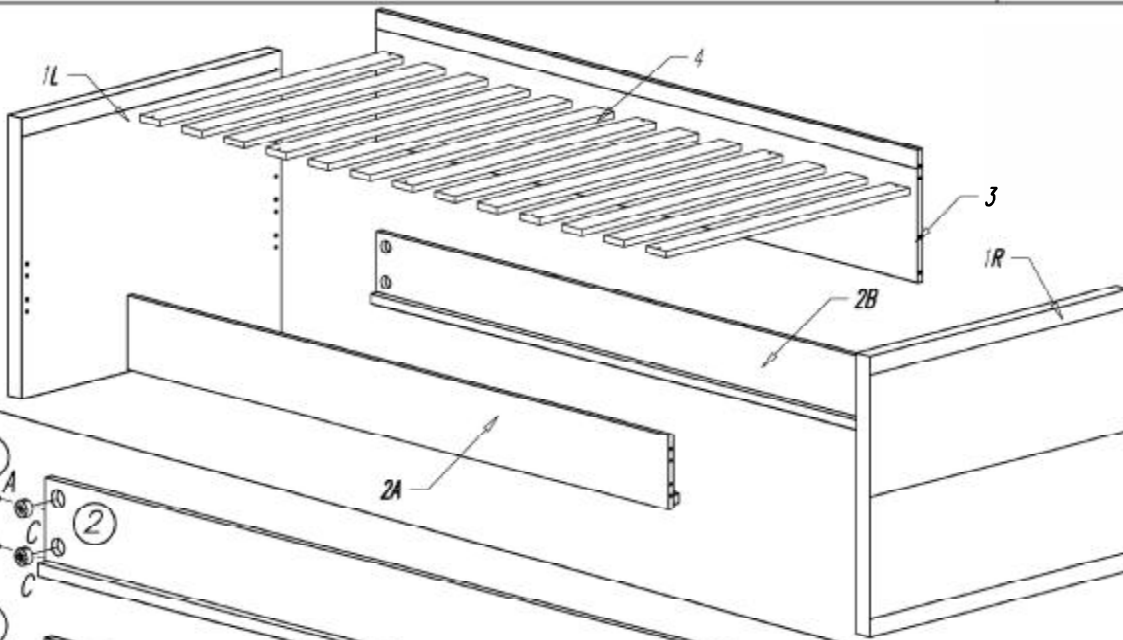


- A**  
  
 $\varnothing 8 \times 40$   
 x14
- B**  
  
**MAXIFIX**  
**M6**  
 x10
- C**  
  
 x10
- D**  
  
 $\varnothing 3,5 \times 30$   
 x10
- E**  
  
 x4
- SWS**  
 x1

LARA-KA/UITBED 1/2009



**Colli 1/3:**

Part no. 1L -1 pcs/St.

Part no. 1R -1 pcs/St.

**Colli 2/3:**

Part no. 2A -1 pcs/St.

Part no. 2B -1 pcs/St.

Part no. 3 -1 pcs/St.

*Fittings/Beschlage/Quincaillerie*

*Assembly instruction*

*/Instruction/Montage*

**Colli 3/3:**

Part no. 4 -1 pcs/St.

