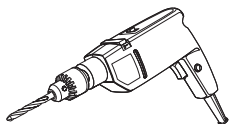
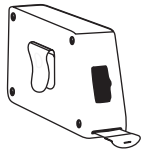
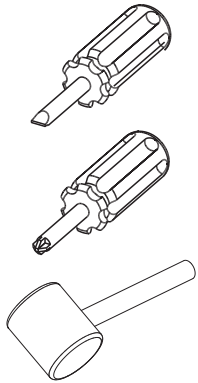
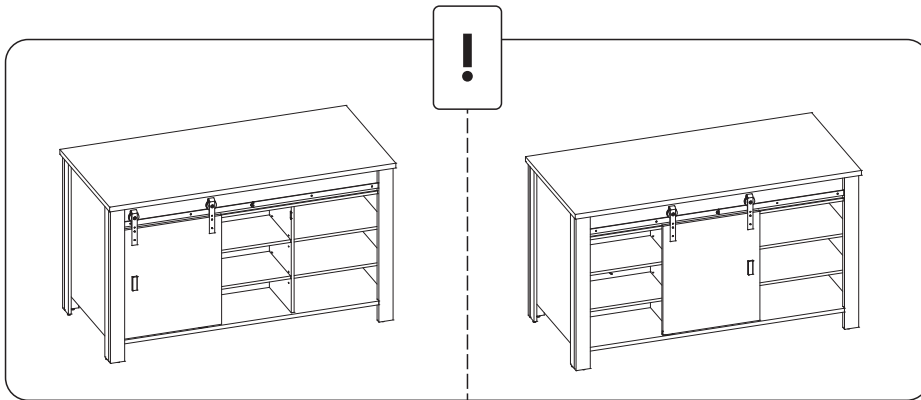
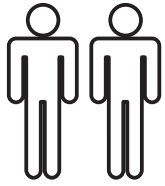
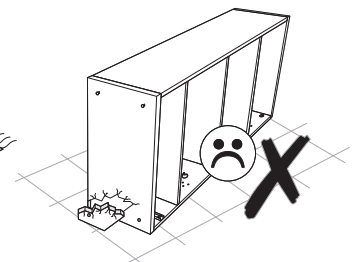
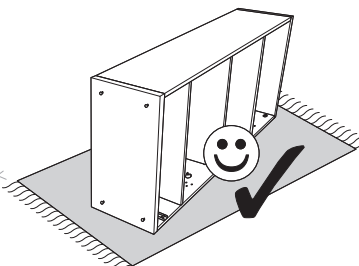
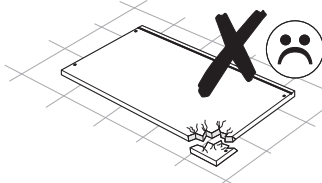
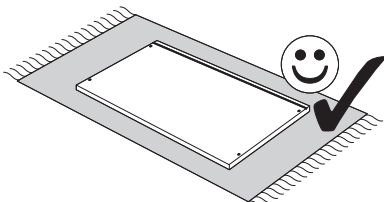
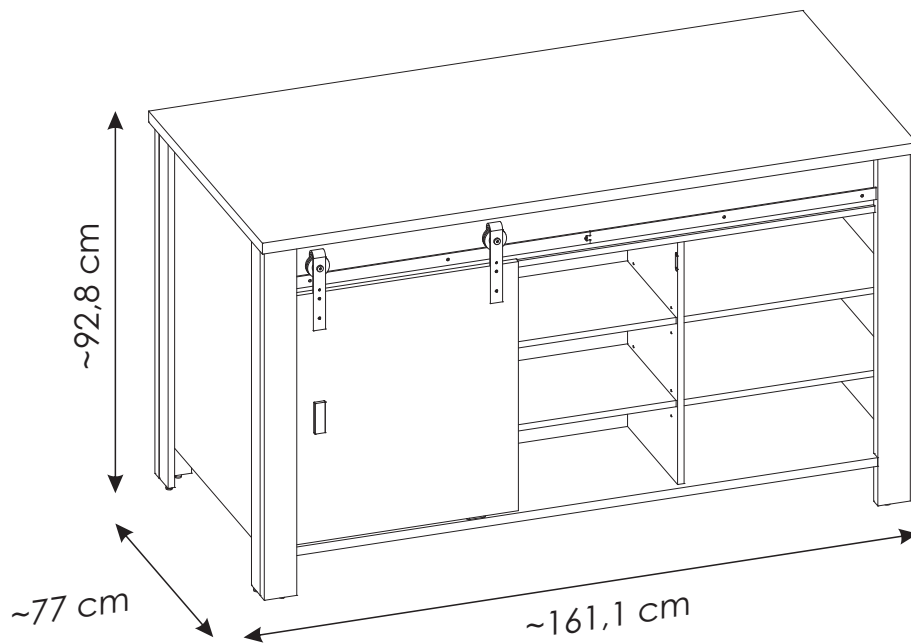
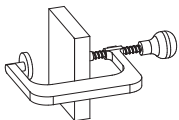
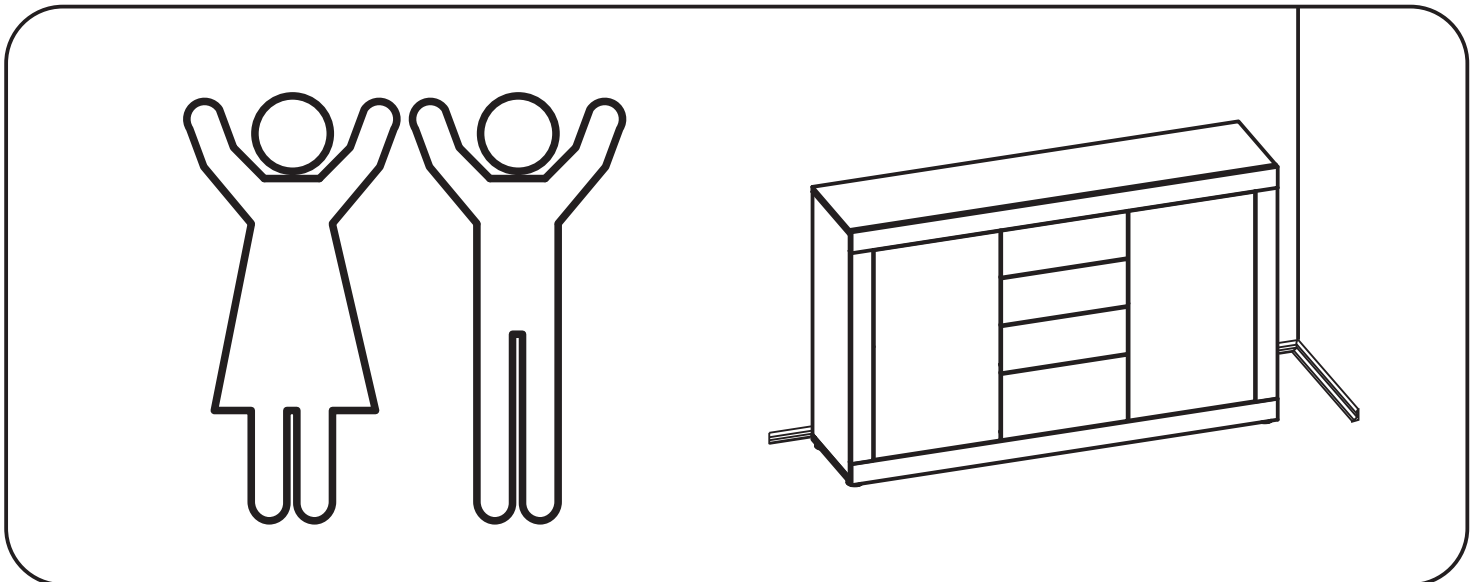
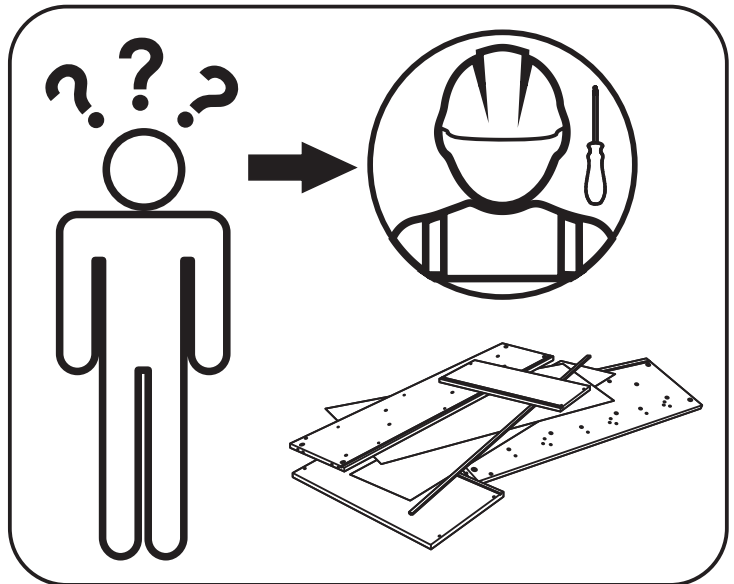
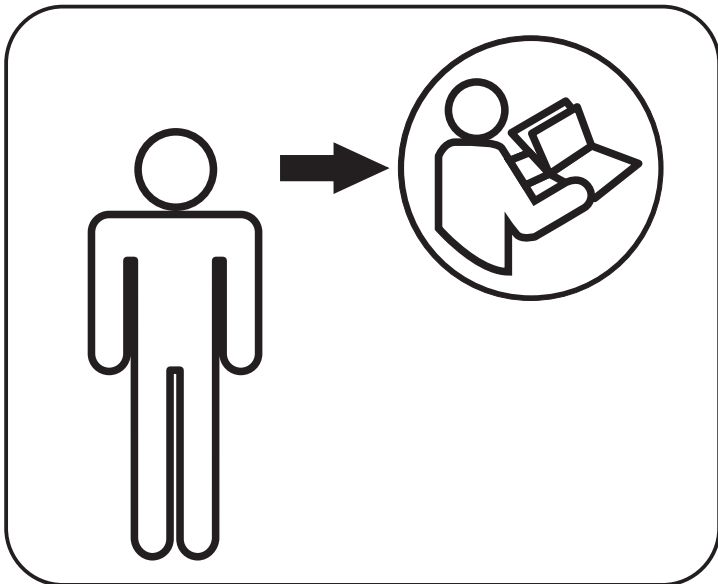
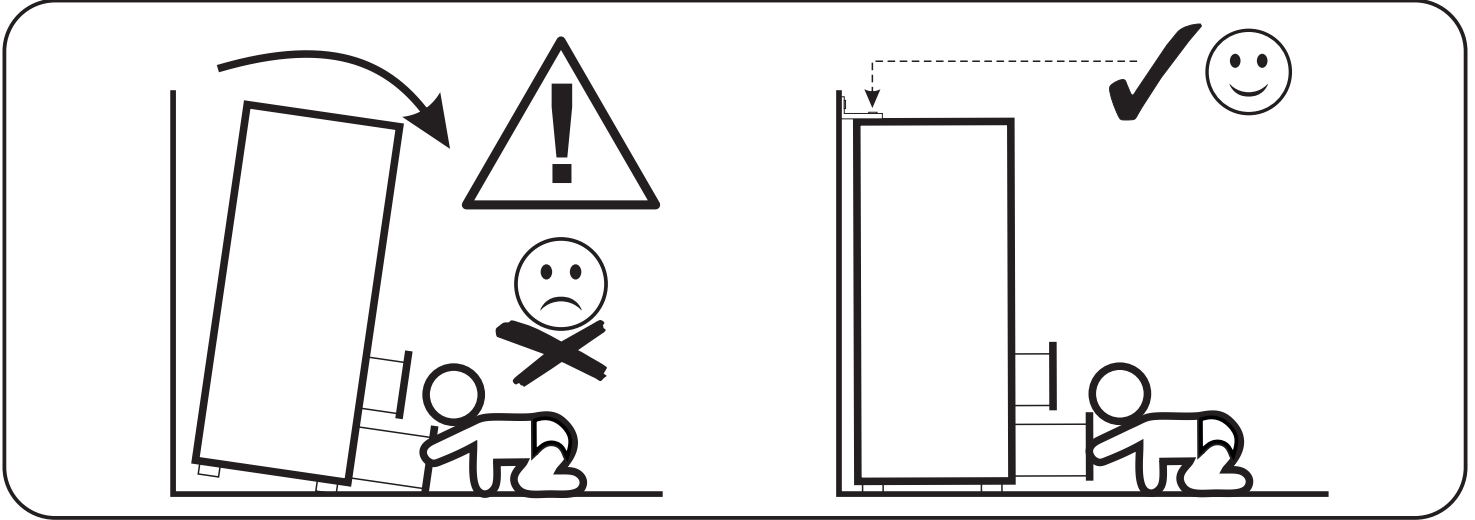
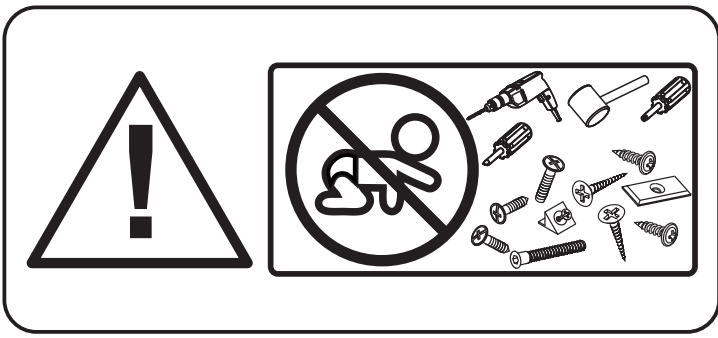


1PPASCB1/1YYASCB1



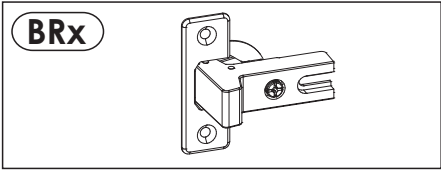
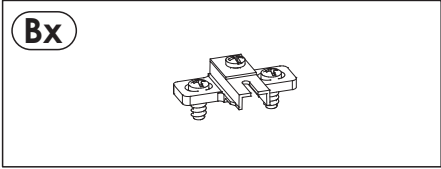
Ø5



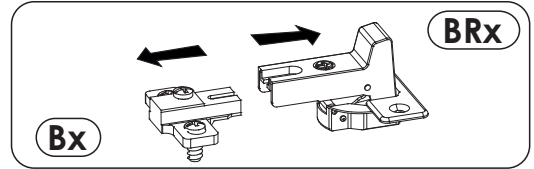
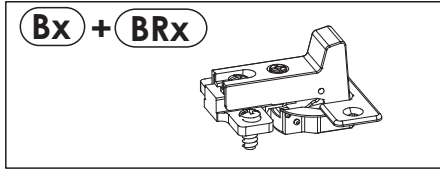




version A

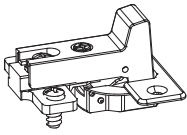
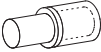
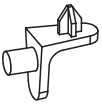
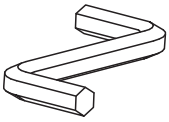
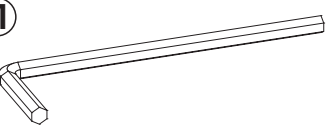
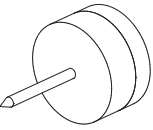
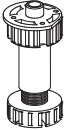

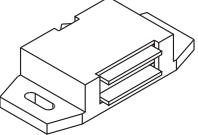

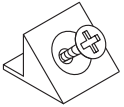



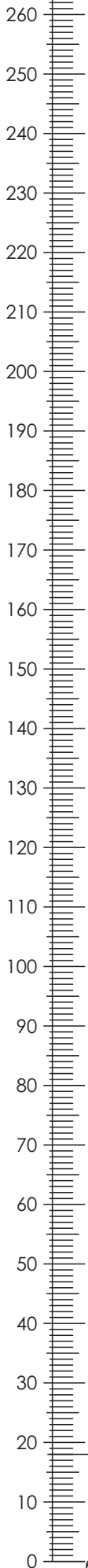
version B



1PPASCB1/1YYASCB1

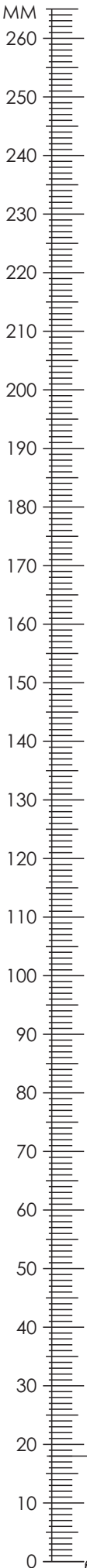
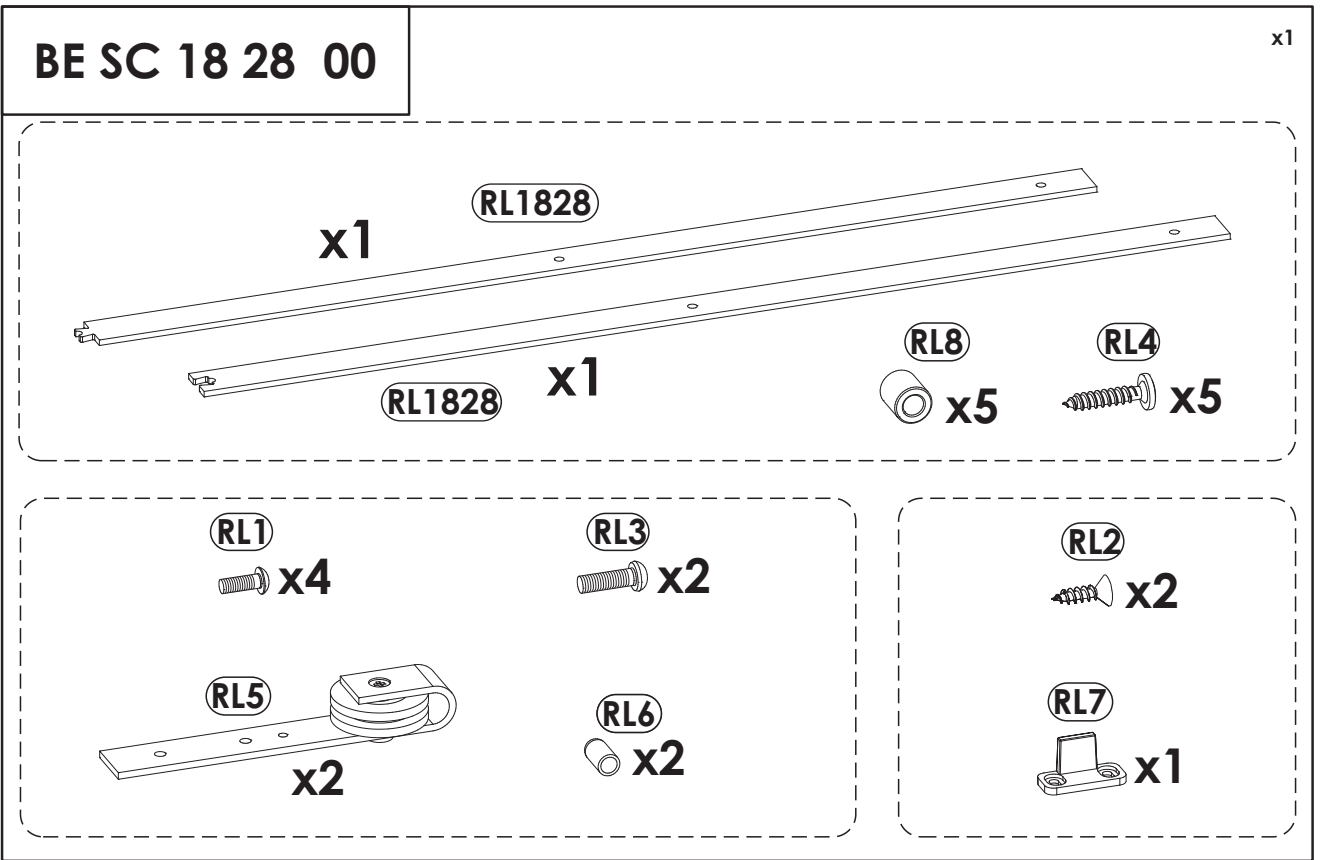
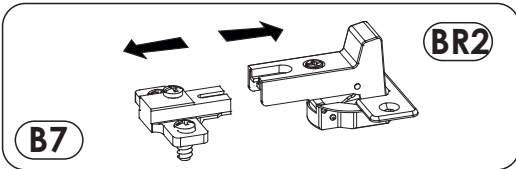
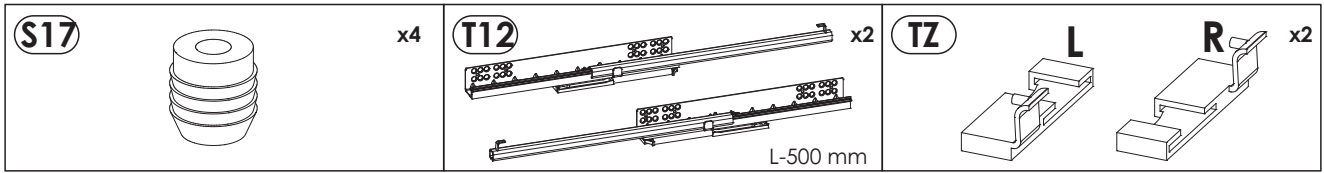
MM

A0	8 x 20 mm	x4	A1	8 x 35 mm	x74	A3	8 x 60 mm	x2
B7 + BR2		x2	C2	5 x 13 mm	x12	D2		x16
D6		x16	E0	Ø16	x37	E1	15 x 12 mm	x66
F1	6 x 34 mm	x62	F6	7 x 82 mm	x2	G1	7 x 50 mm	x4
G2	7 x 60 mm	x10	H1	L - 131 mm	x3	H2	L - 78 mm	x1
I0	3 x 13 mm	x4	K7	4 x 22 mm	x11	M		x1
M1		x1	N1	3 x 16 mm	x15	N5	3,5 x 16 mm	x10
N14	4 x 30 mm	x10	O2		x8	O14		x2
P16		x6	Q1		x2	Q8		x1
R4		x2	R10		x2	RU	L - 564 mm	x1

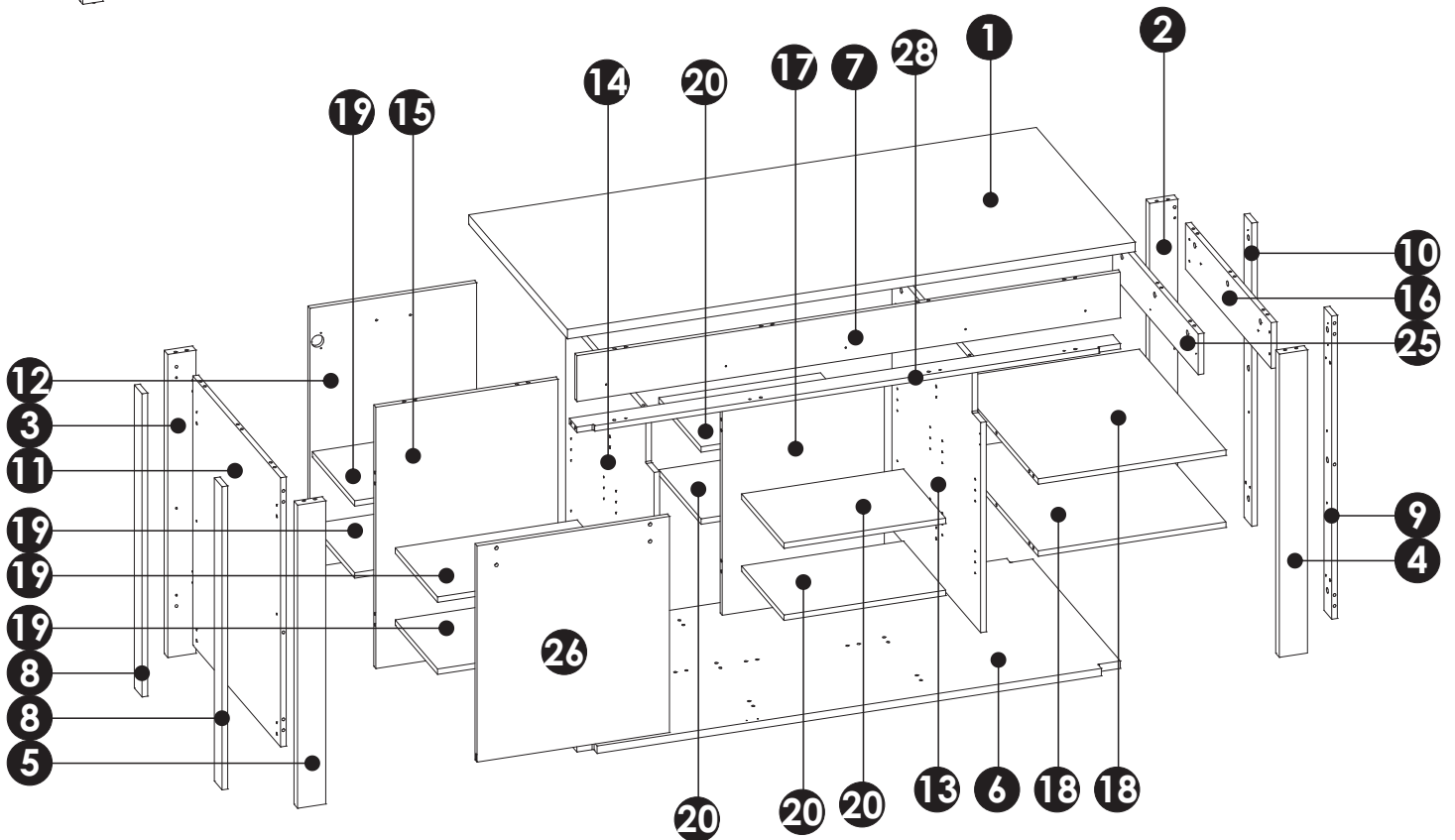
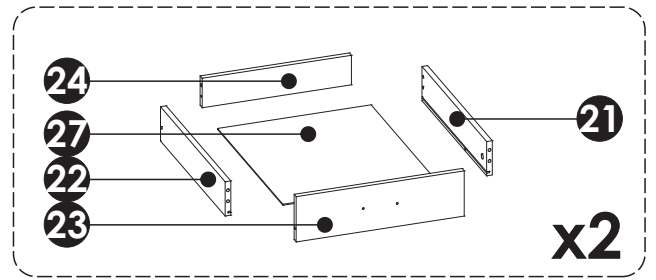
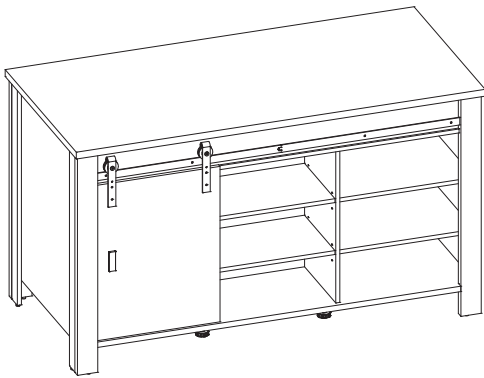


1PPASCB1/1YYASCB1

MM



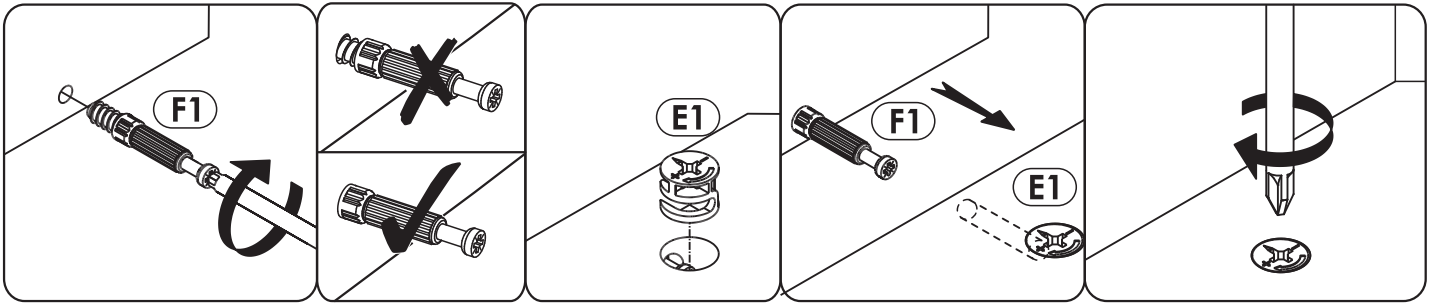
1PPASCB1/1YYASCB1



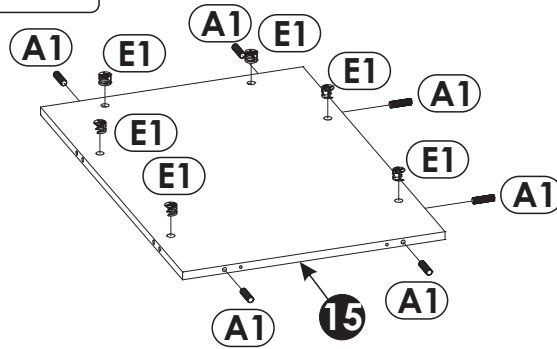
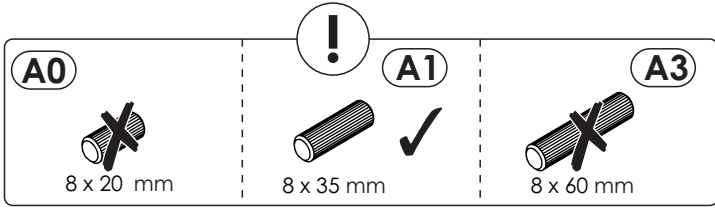
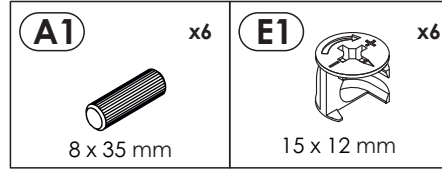
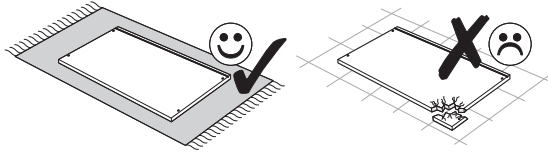
1	1611	770	28	x1	3/4
2	892	80	28	x1	2/4
3	892	80	28	x1	2/4
4	892	80	28	x1	2/4
5	892	80	28	x1	2/4
6	1542	738	22	x1	4/4
7	1542	135	16	x1	3/4
8	892	60	16	x2	2/4
9	892	60	16	x1	2/4

10	892	60	16	x1	2/4
11	792	684	16	x1	1/4
12	763	473	16	x1	2/4
13	769	691	16	x1	4/4
14	769	689	16	x1	4/4
15	769	517	16	x1	1/4
16	668	135	16	x1	3/4
17	639	460	16	x1	1/4
18	533	677	16	x2	1/4

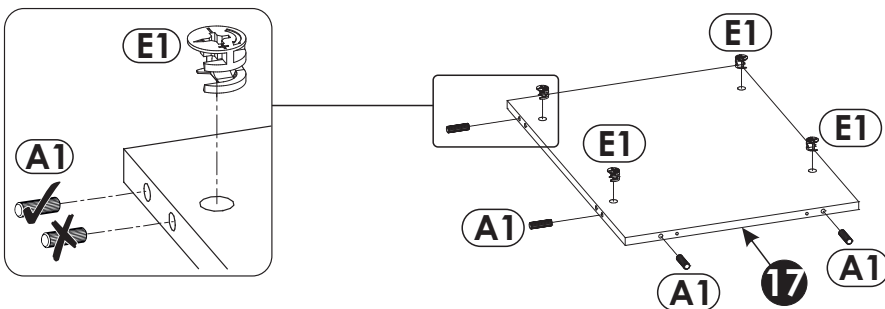
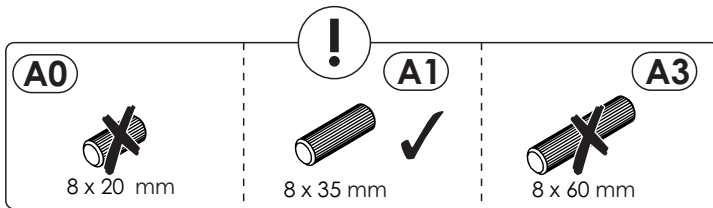
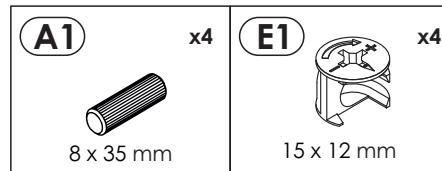
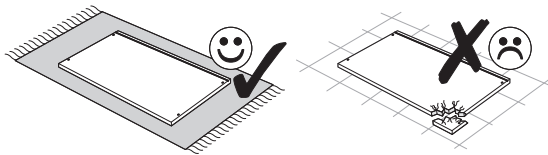
19	516	330	16	x4	2/4
20	459	330	16	x4	2/4
21	500	100	16	x2	1/4
22	500	100	16	x2	1/4
23	473	132	16	x2	2/4
24	420	86	16	x2	2/4
25	110	668	16	x1	3/4
26	636	546	16	x1	1/4
27	432	505	3	x2	1/4
28	1542	67	16	x1	3/4



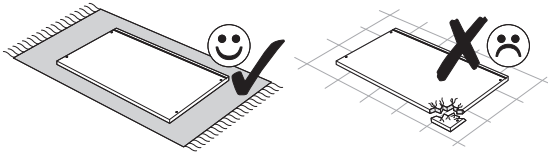
1 ▶


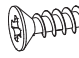




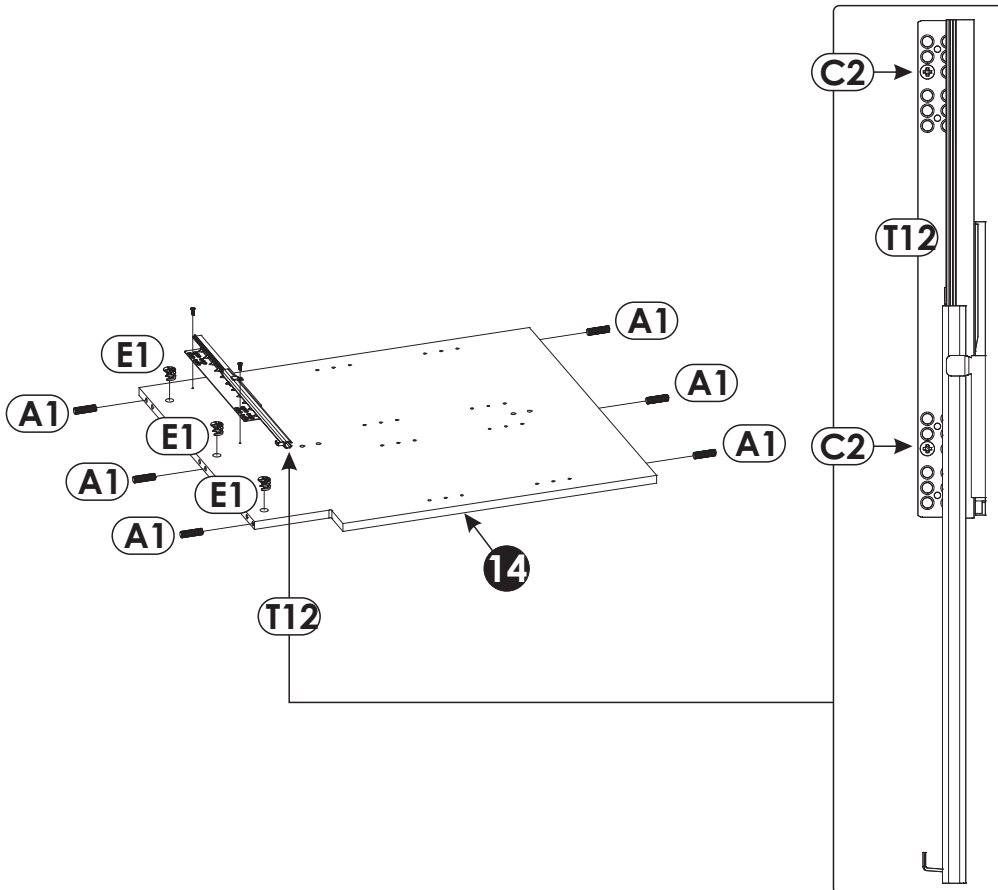
2 ▶


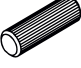



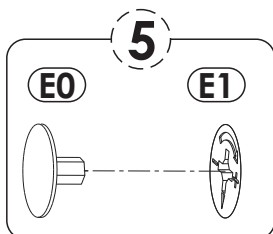
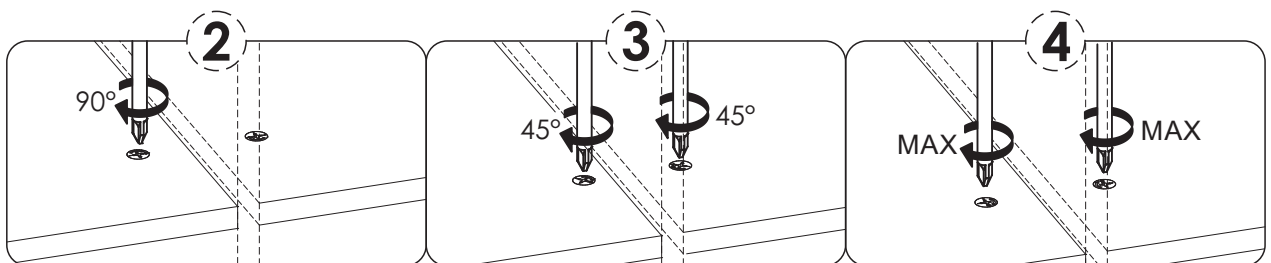
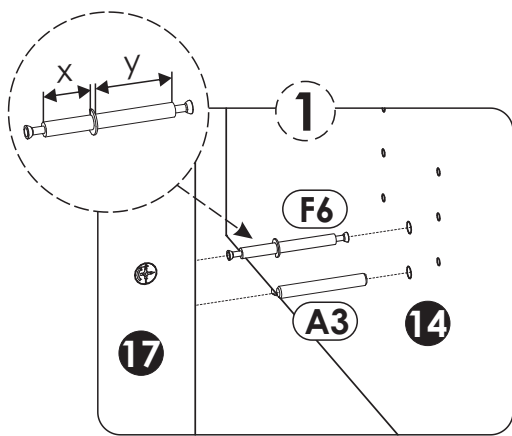
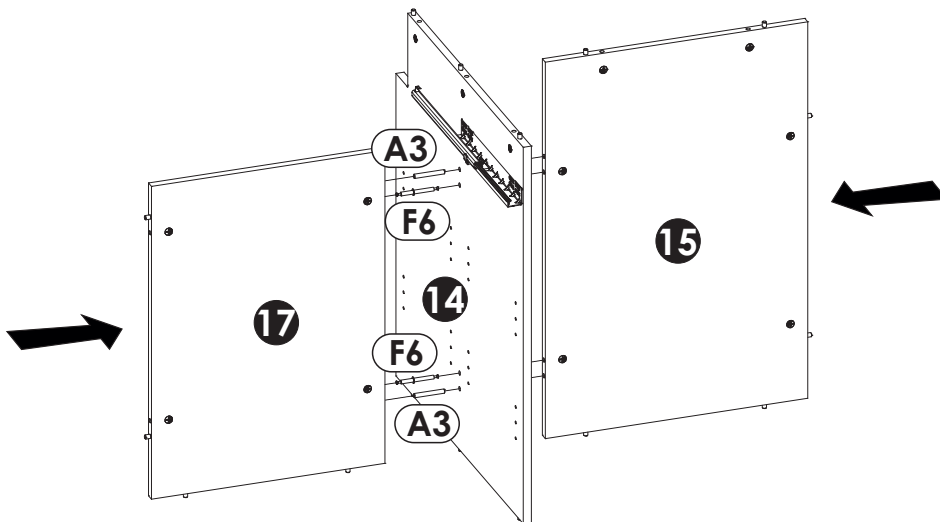
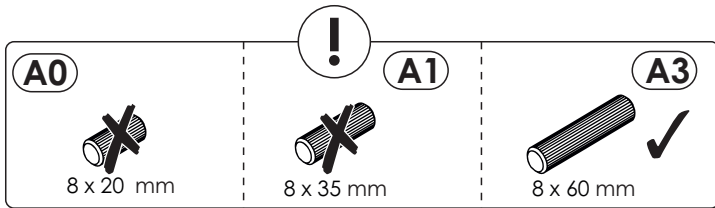
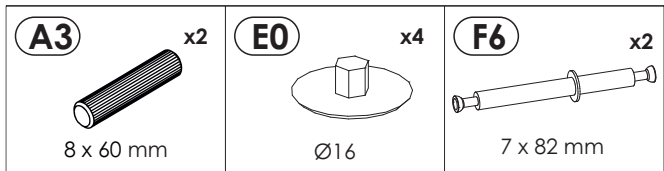
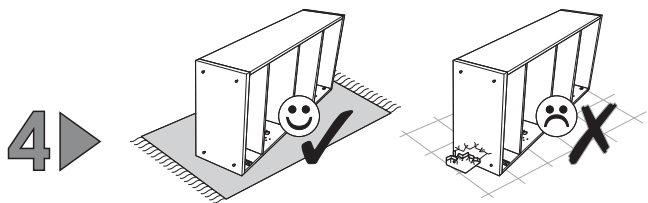
3 ▶

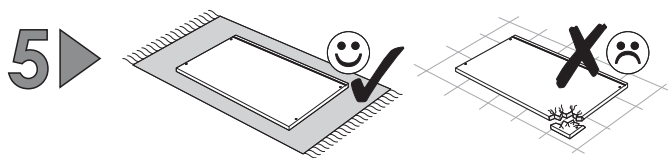


A1  8 x 35 mm	C2  5 x 13 mm	E1  15 x 12 mm	T12  x1
---	---	--	---

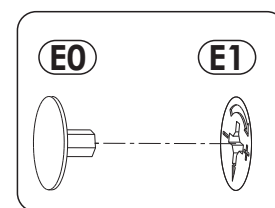
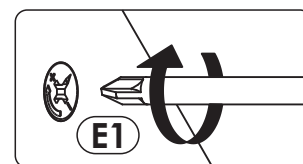
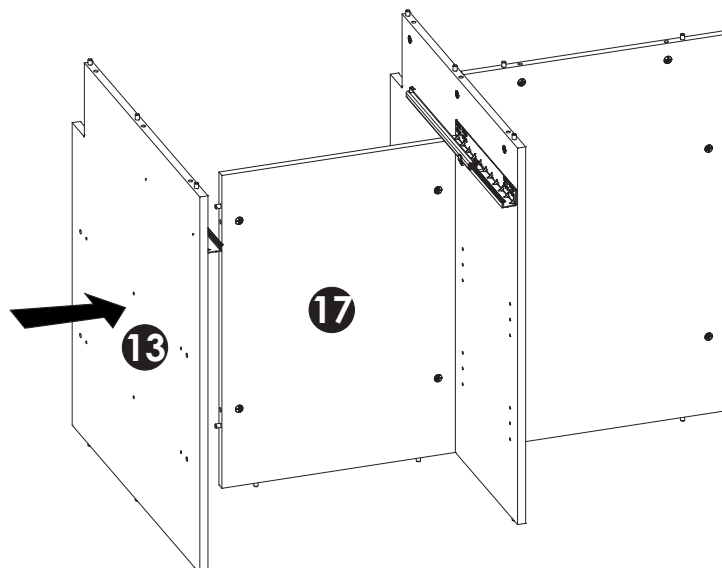
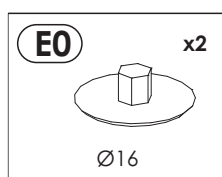
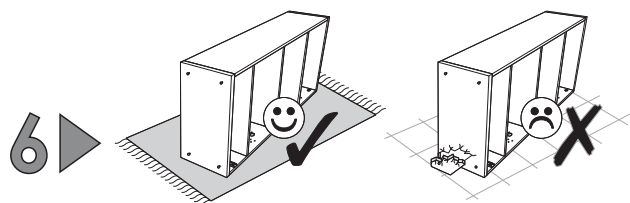
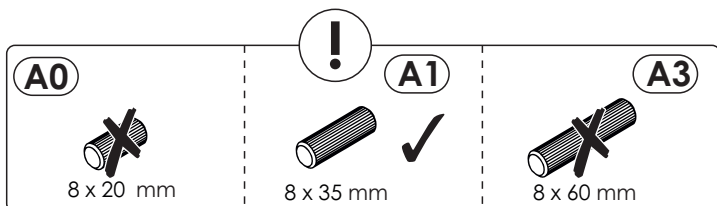
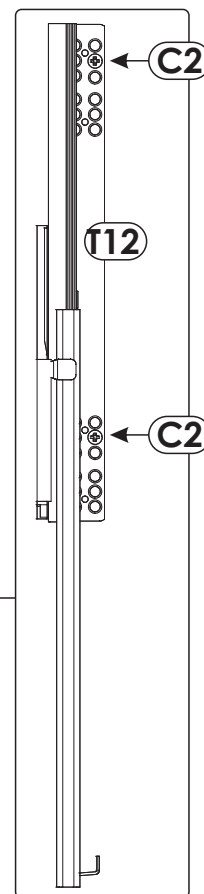
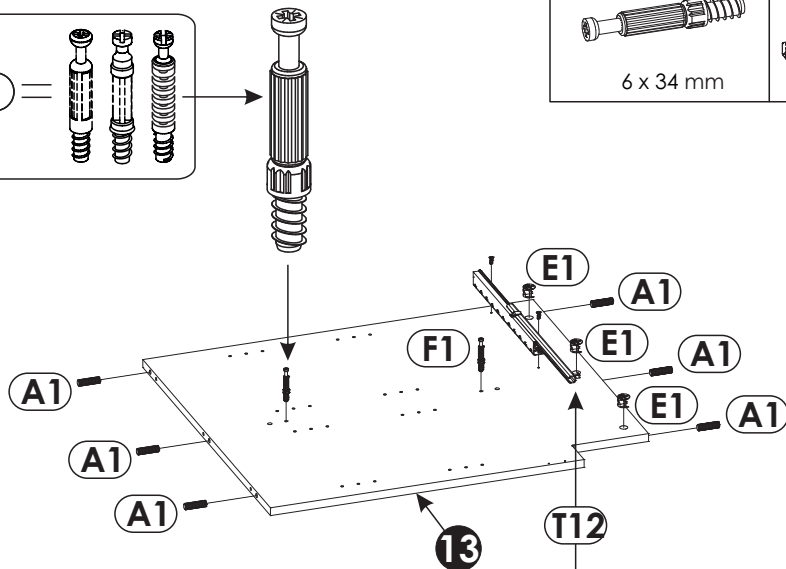
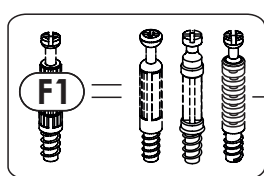


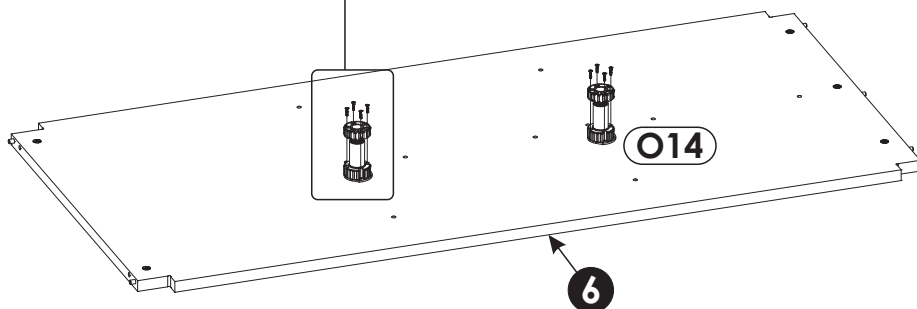
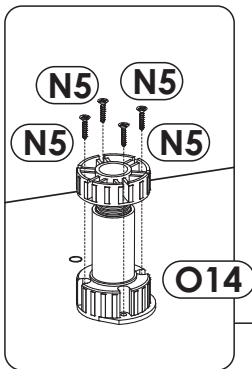
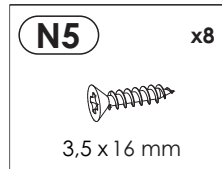
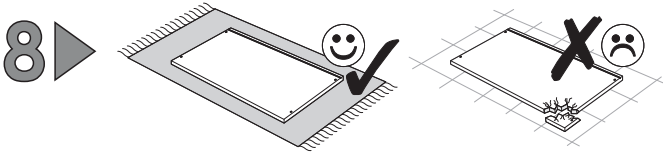
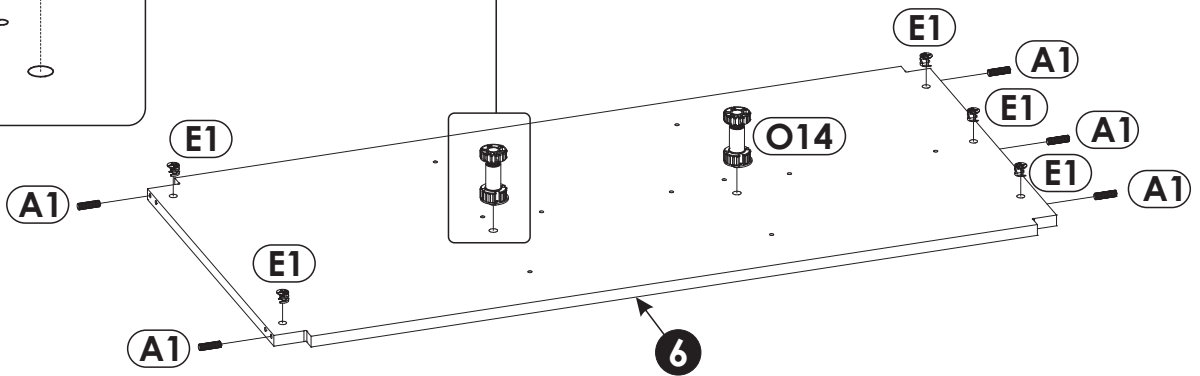
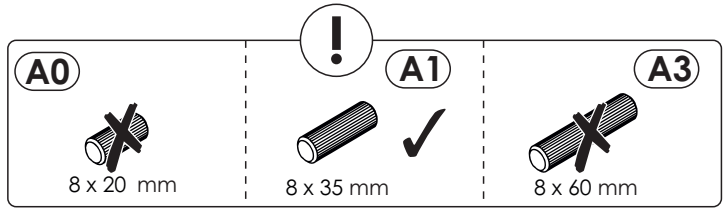
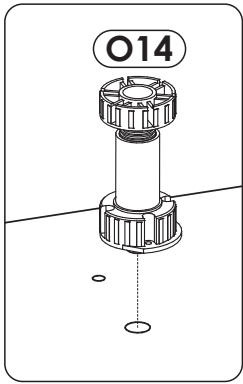
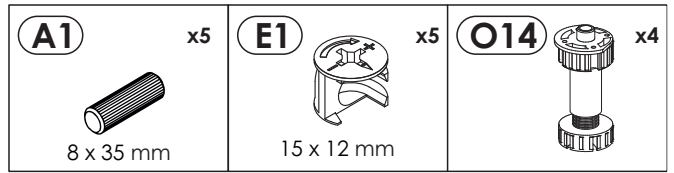
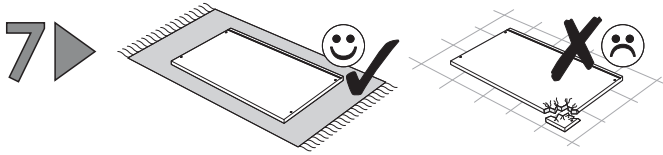
A0  8 x 20 mm	! A1  8 x 35 mm	A3  8 x 60 mm
---	---	--



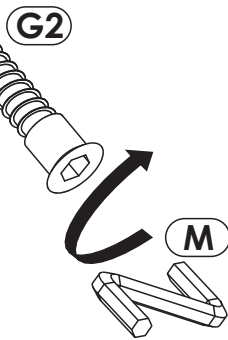
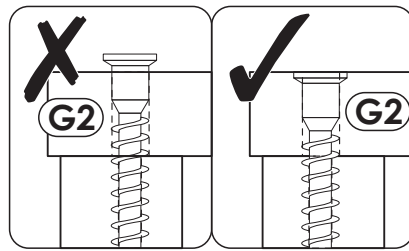
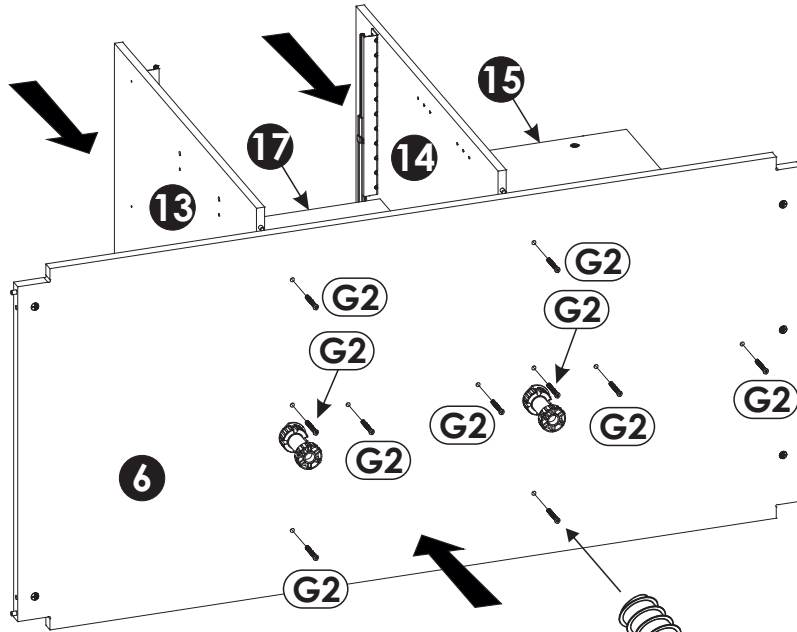
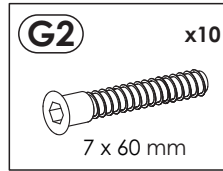
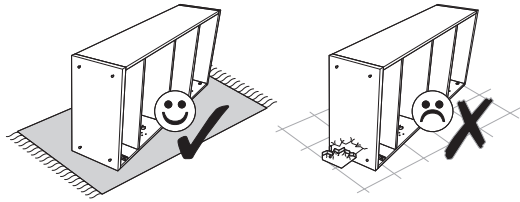


A1 x6 8 x 35 mm	C2 x2 5 x 13 mm	E1 x3 15 x 12 mm
F1 x2 6 x 34 mm	T12 x1	

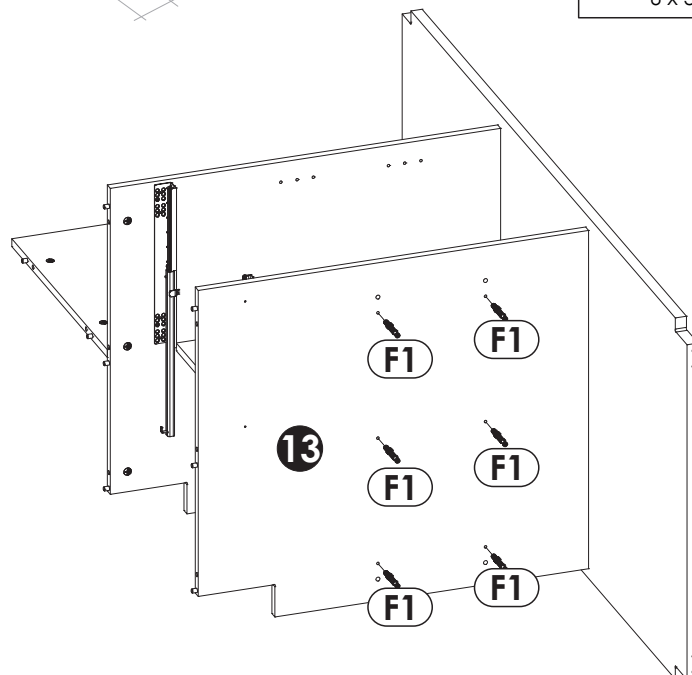
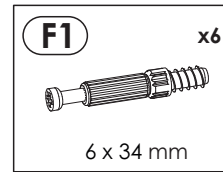
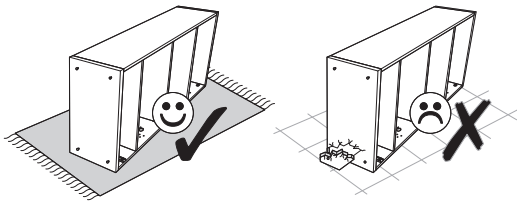




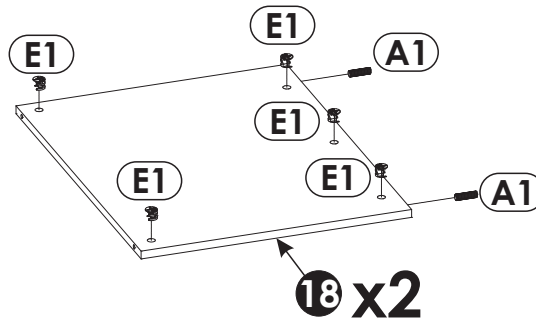
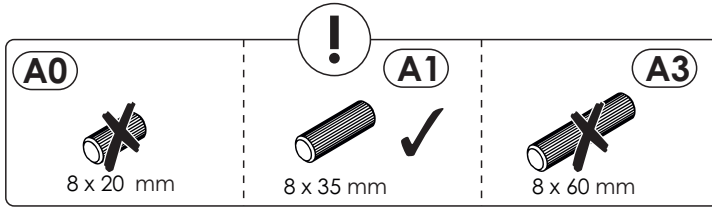
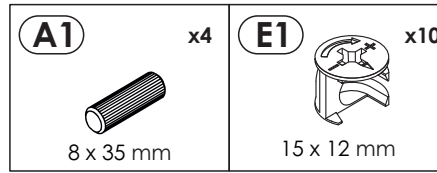
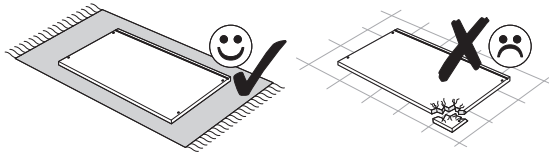
9 ▶



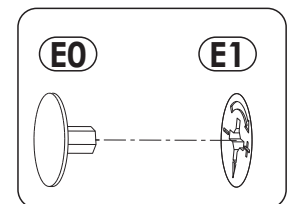
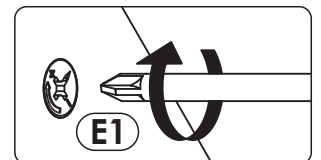
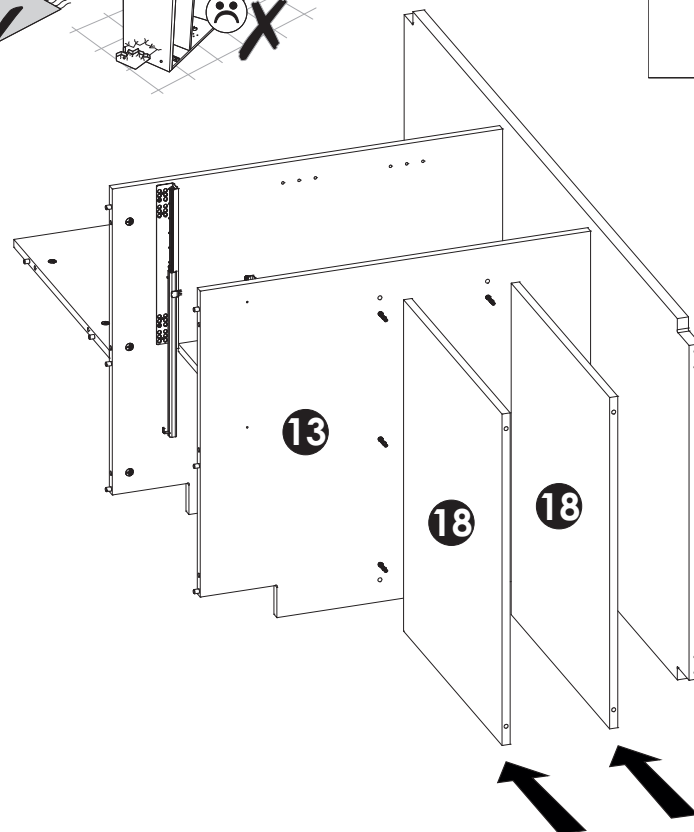
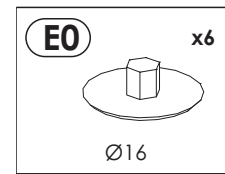
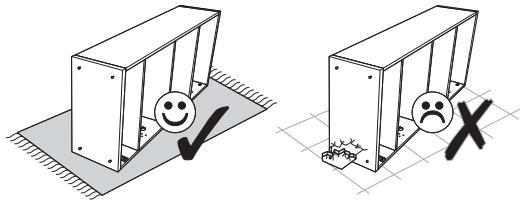
10 ▶



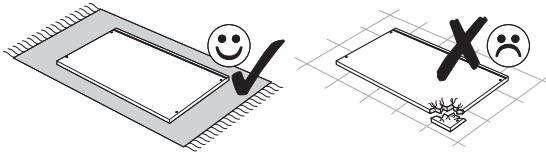
11 ▶



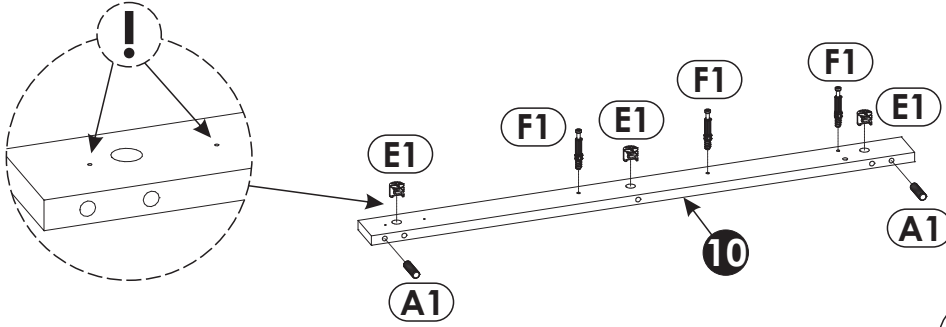
12 ▶



13▶

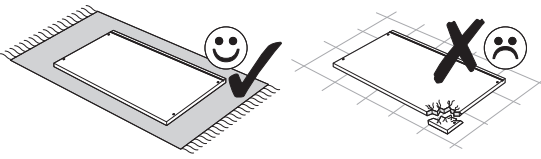


A1	x2	E1	x3	F1	x3
8 x 35 mm		15 x 12 mm		6 x 34 mm	

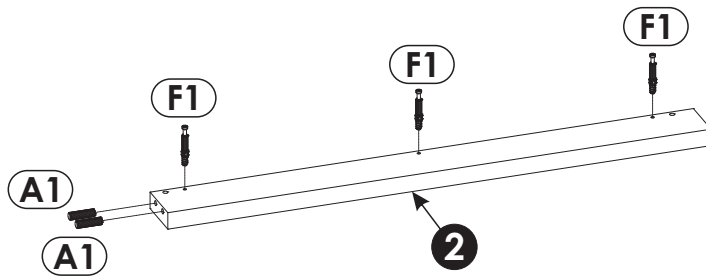


A0		A1	A3
8 x 20 mm		8 x 35 mm	8 x 60 mm

14▶

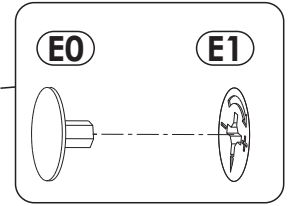
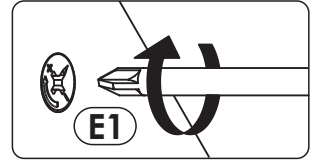
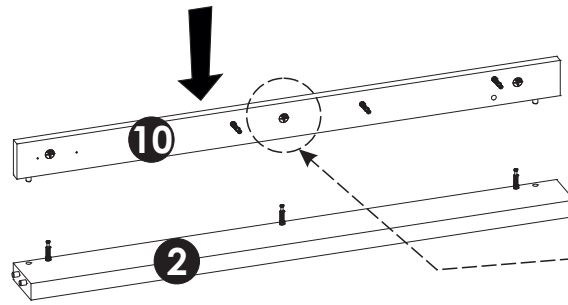
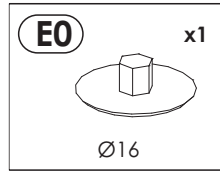
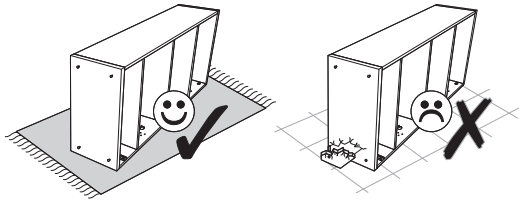


A1	x2	F1	x3
8 x 35 mm		6 x 34 mm	

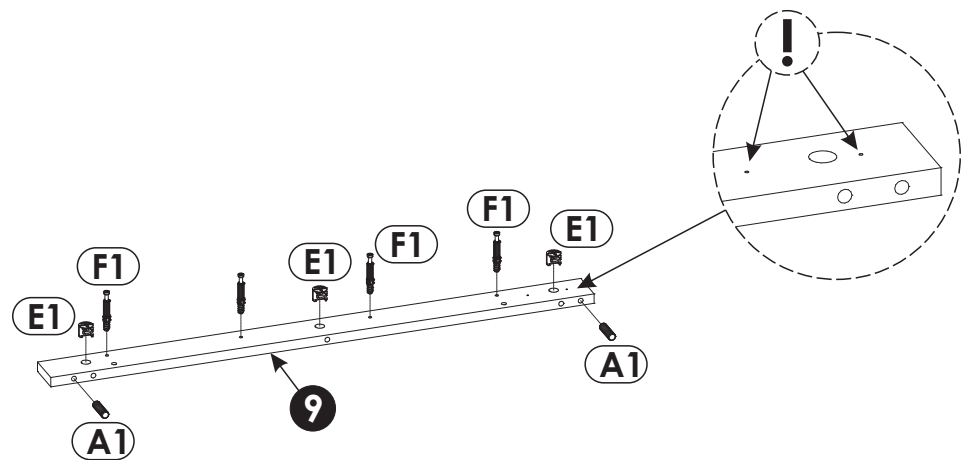
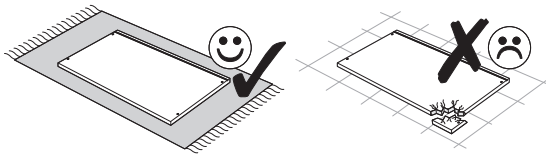


A0		A1	A3
8 x 20 mm		8 x 35 mm	8 x 60 mm

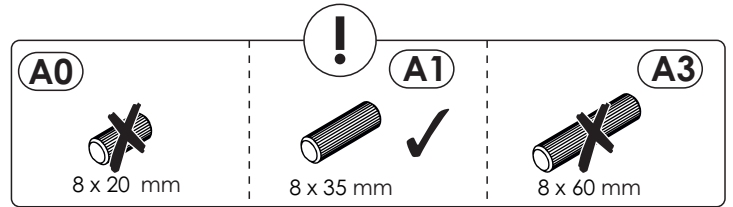
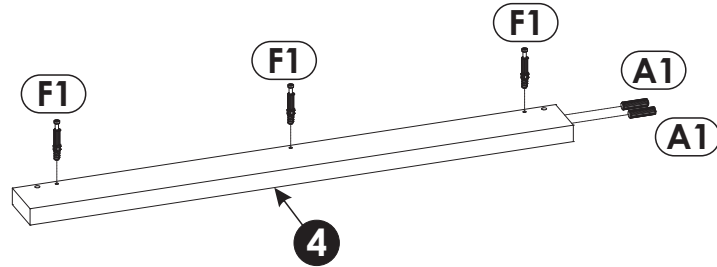
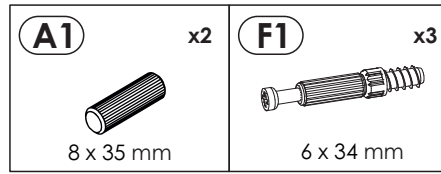
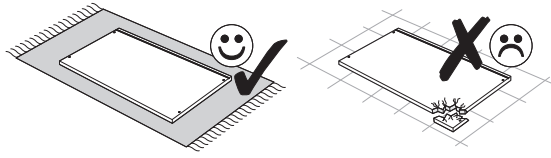
15▶



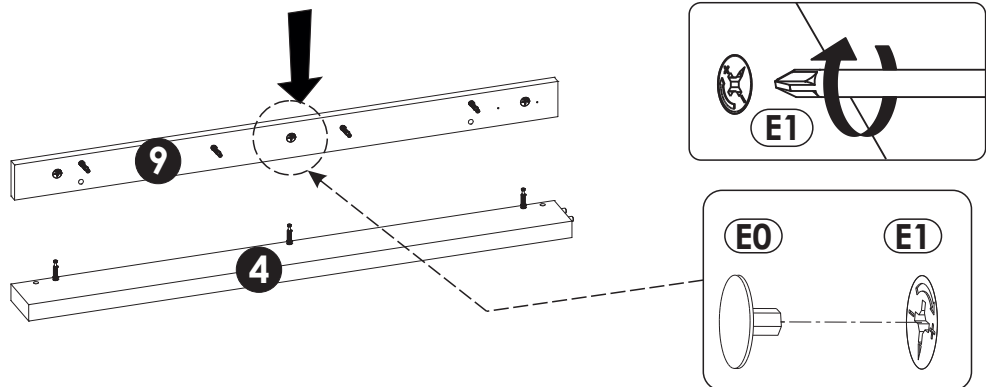
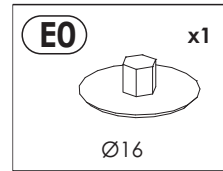
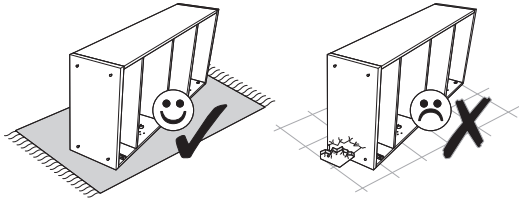
16▶



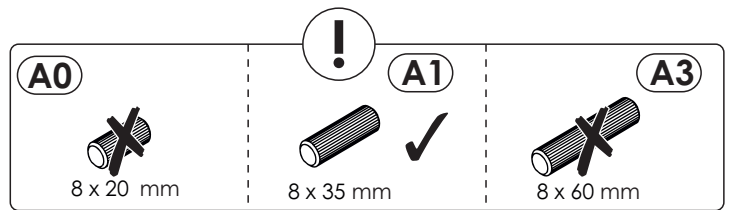
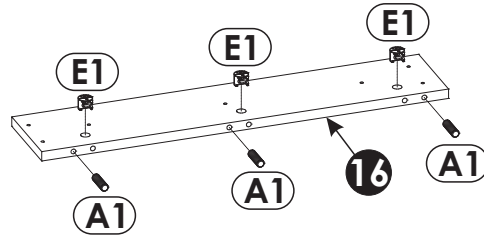
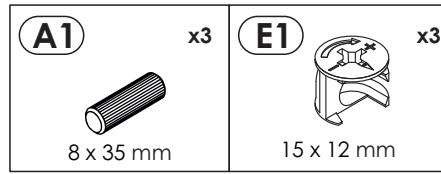
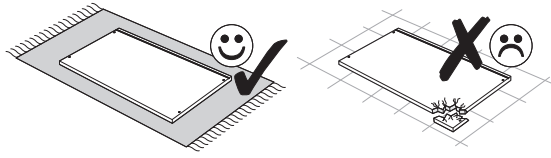
17▶



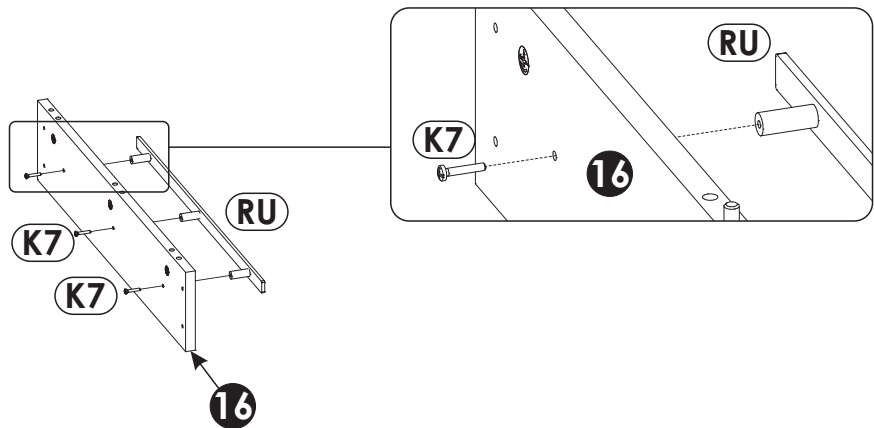
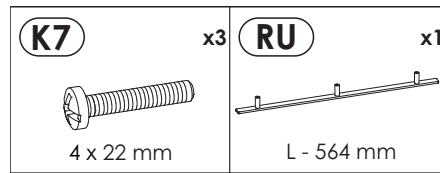
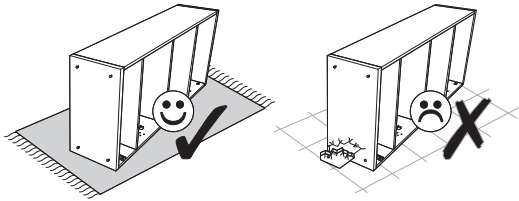
18▶



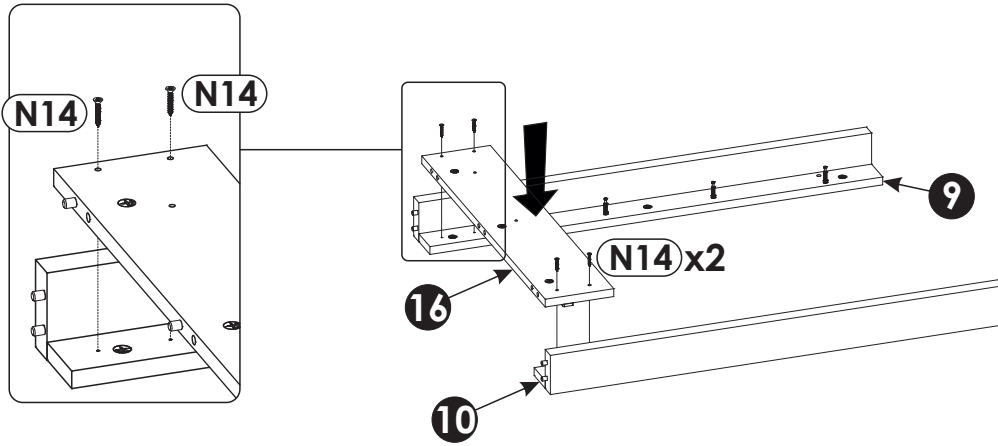
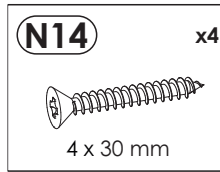
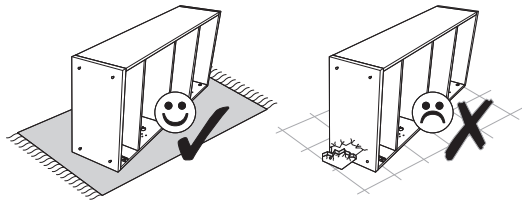
19 ▶



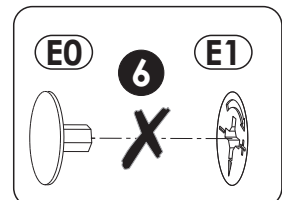
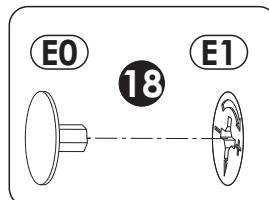
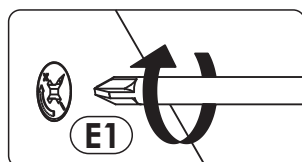
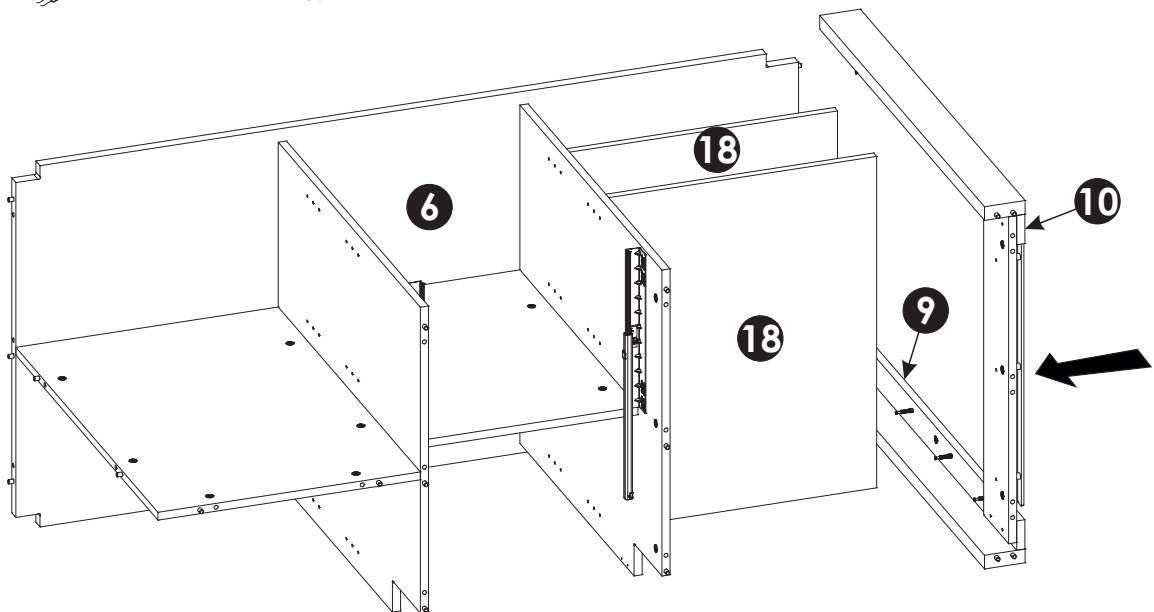
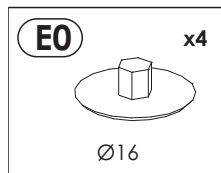
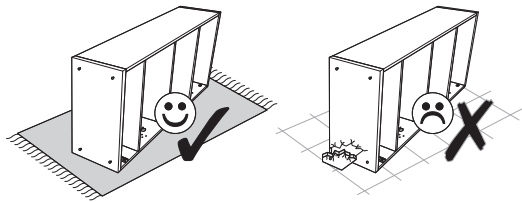
20 ▶



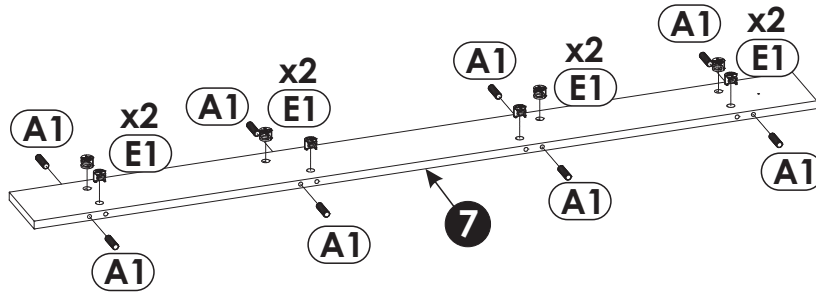
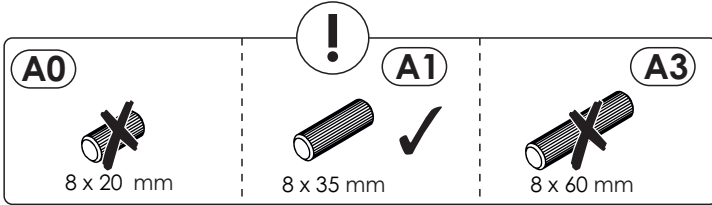
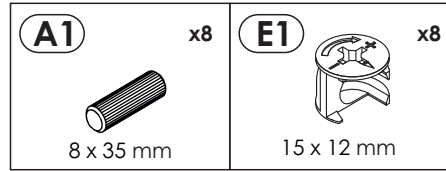
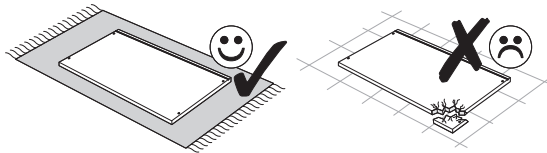
21 ▶



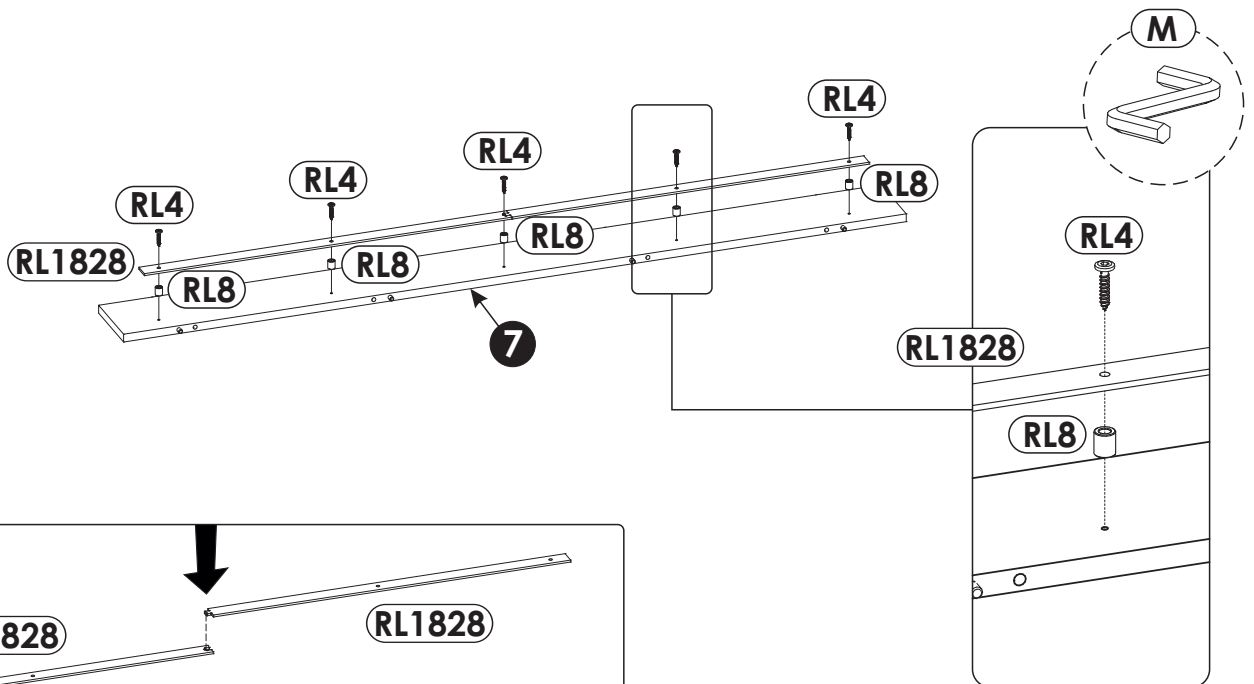
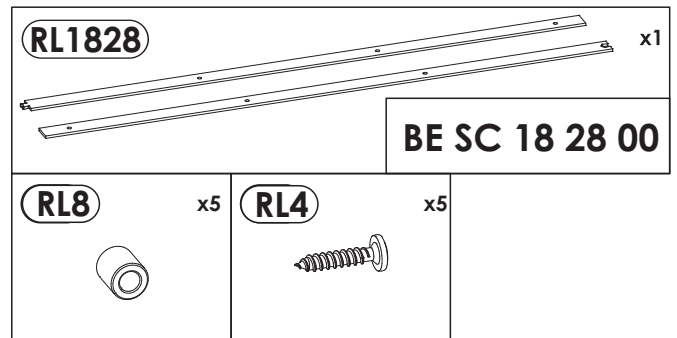
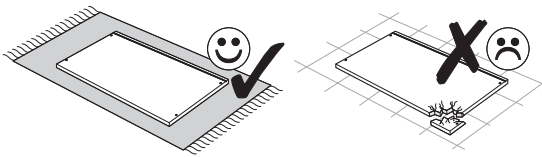
22 ▶



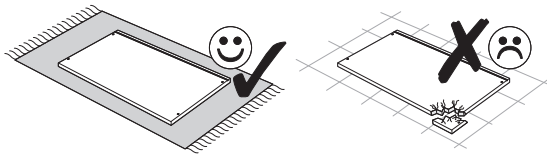
23.a ▶



23.b ▶

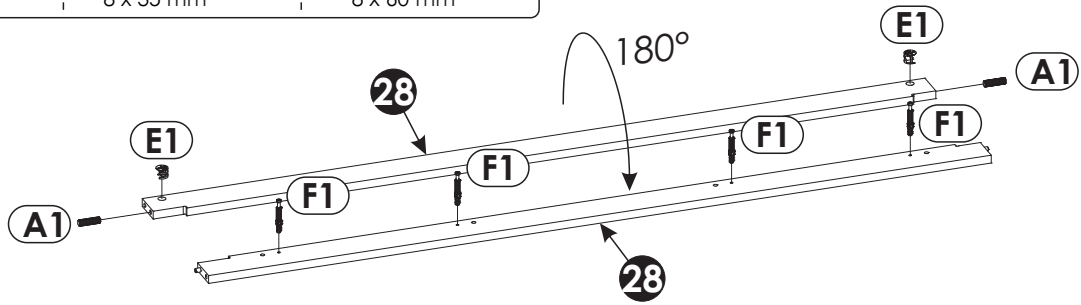


24 ▶

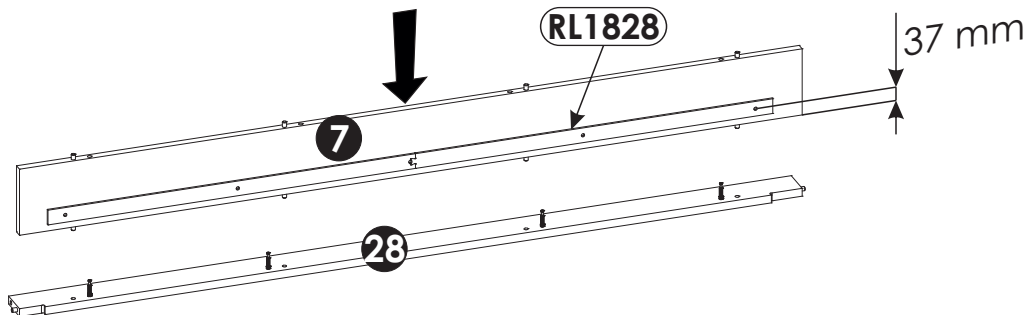
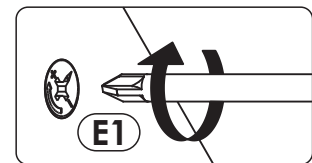
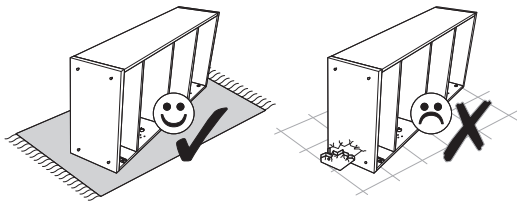


A1 8 x 35 mm x2	E1 15 x 12 mm x2	F1 6 x 34 mm x4
------------------------------	-------------------------------	------------------------------

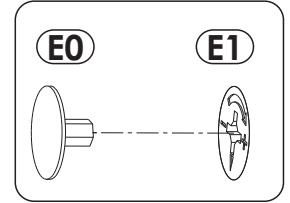
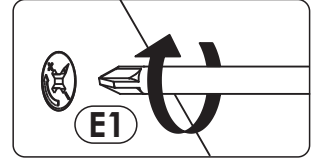
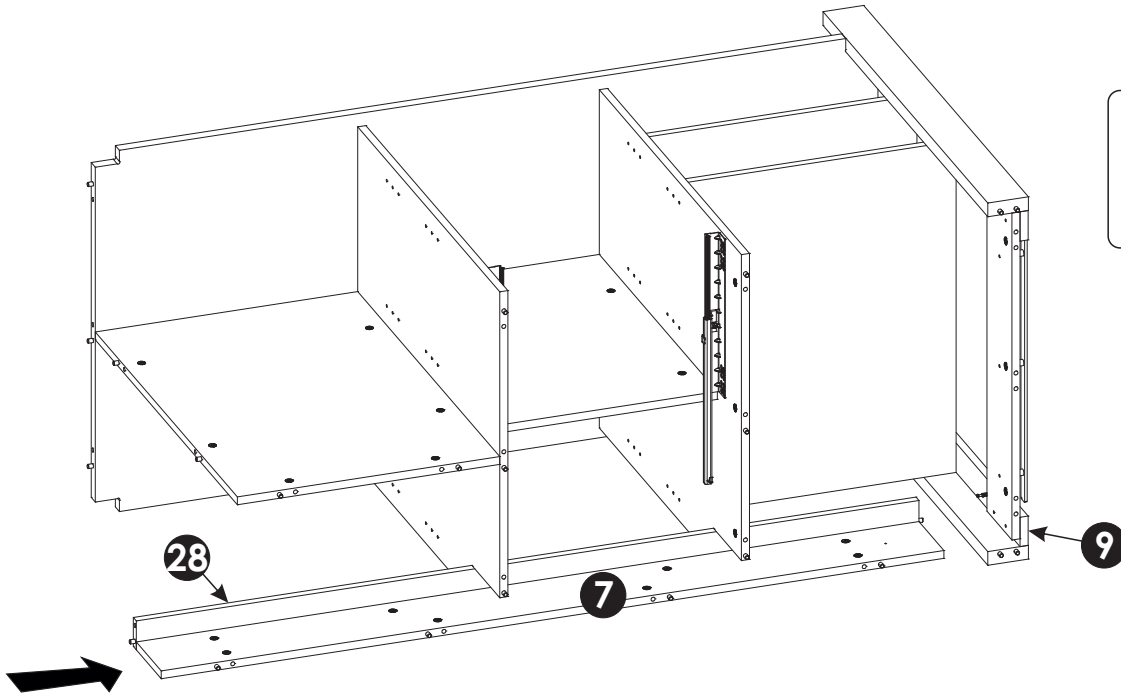
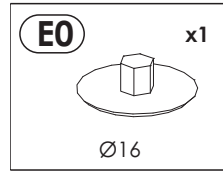
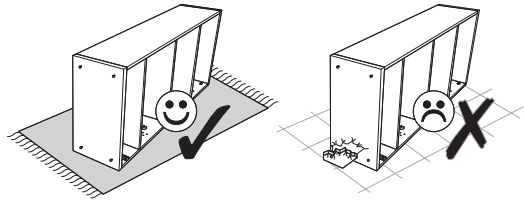
A0 8 x 20 mm 	A1 8 x 35 mm 	A3 8 x 60 mm
----------------------------	----------------------------	----------------------------



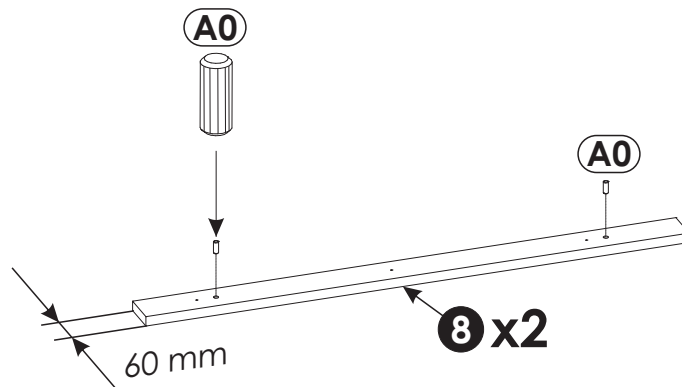
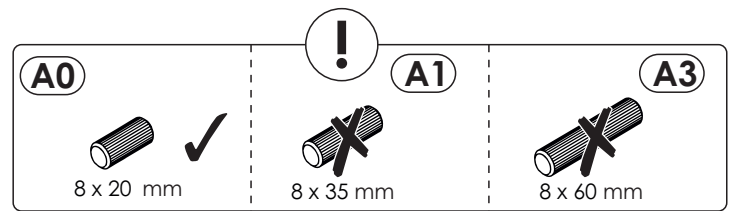
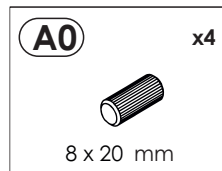
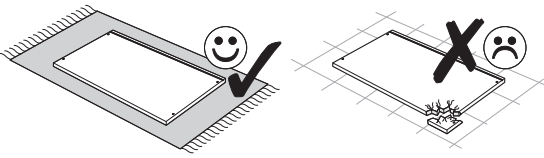
25 ▶



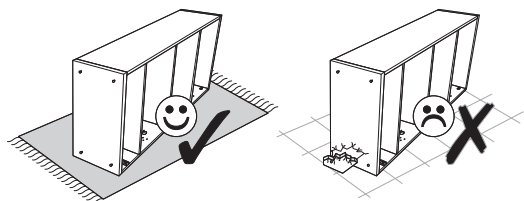
26 ▶

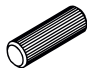

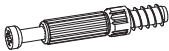


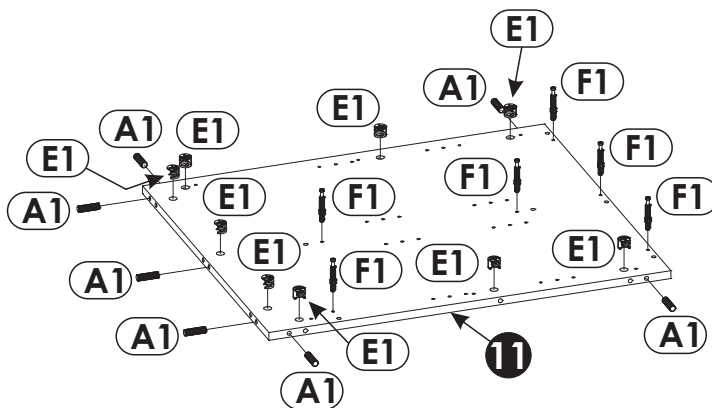
27 ▶



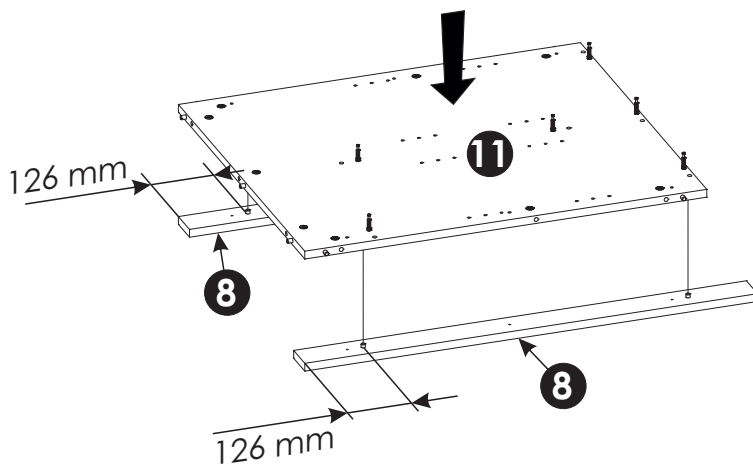
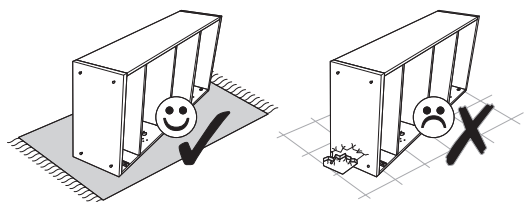
28 ▶



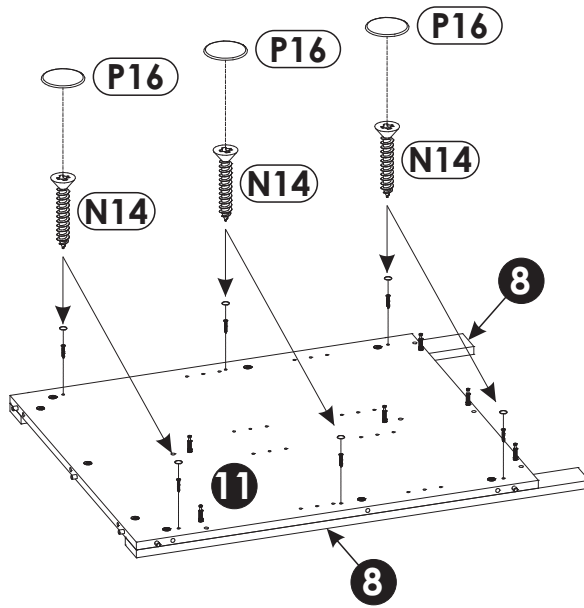
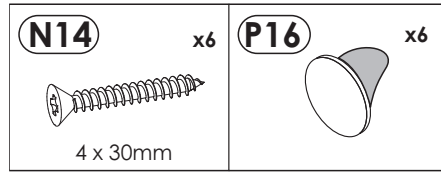
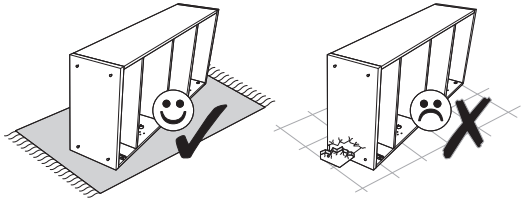
A1  8 x 35 mm	x7	E1  15 x 12 mm	x9	F1  6 x 34 mm	x6
---	----	--	----	---	----



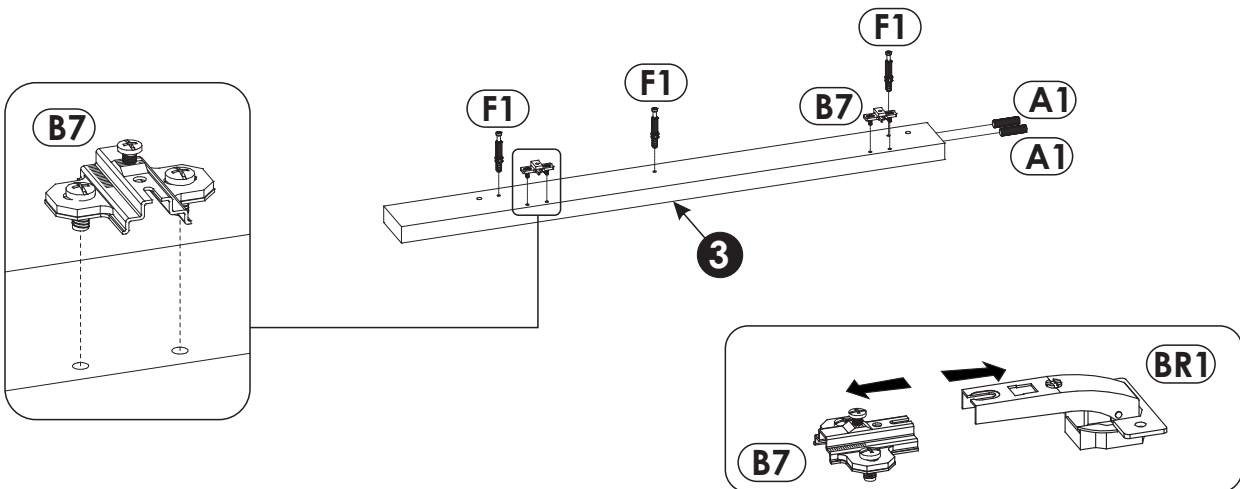
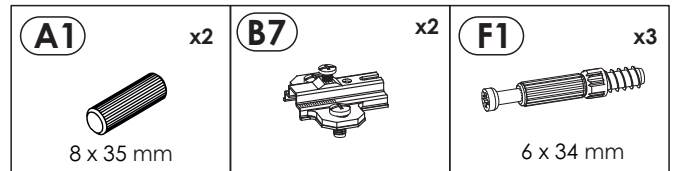
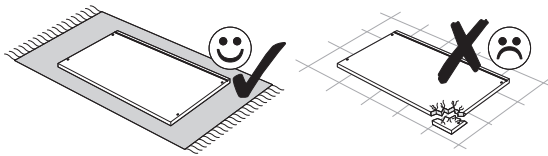
29 ▶



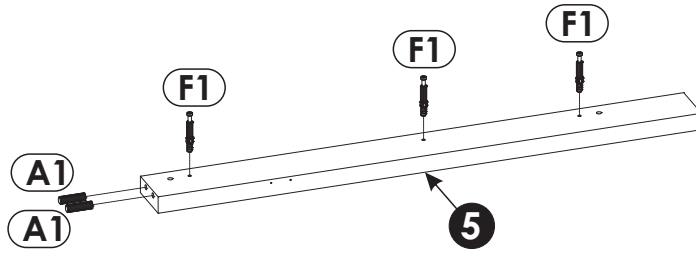
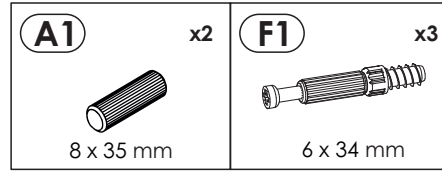
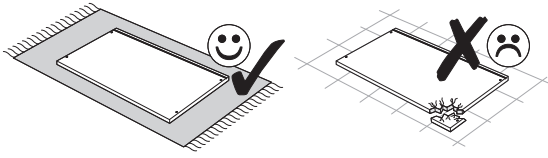
30 ▶



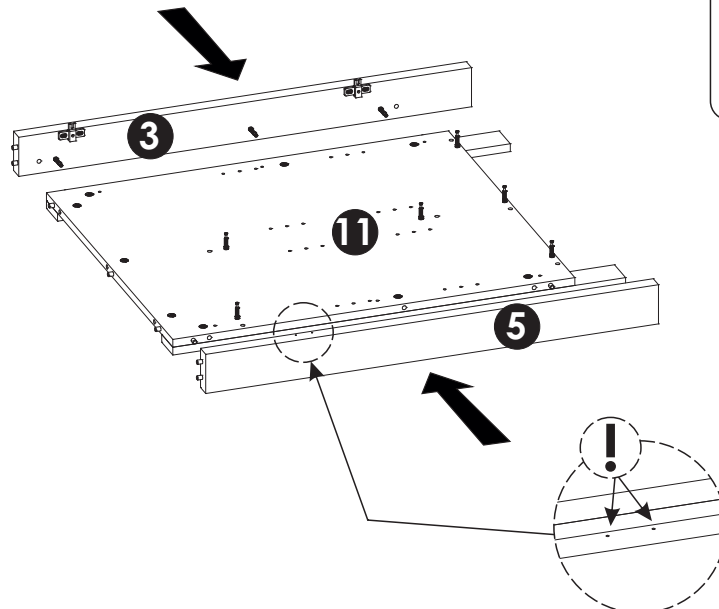
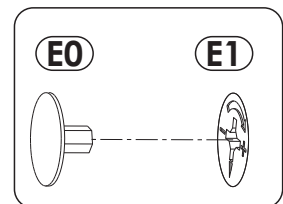
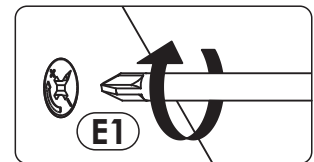
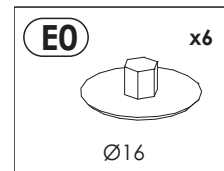
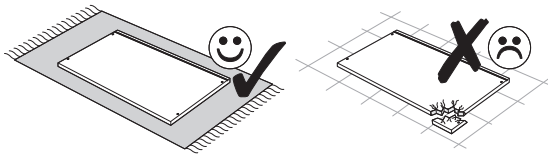
31 ▶



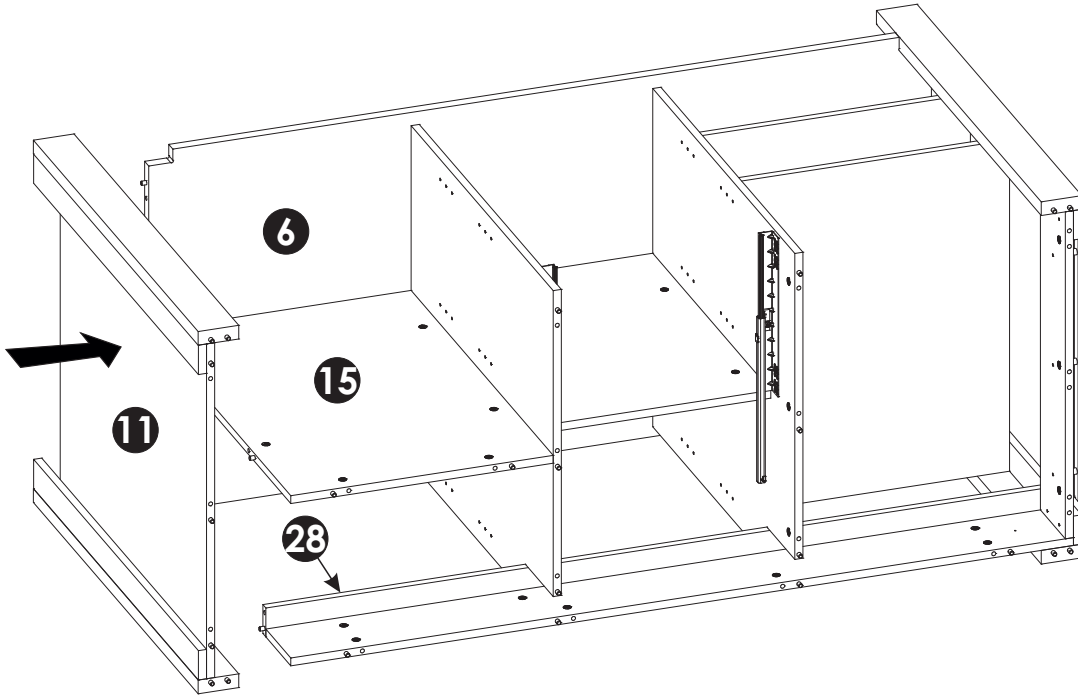
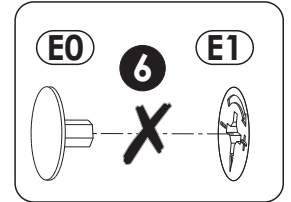
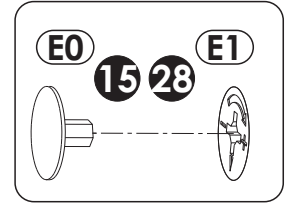
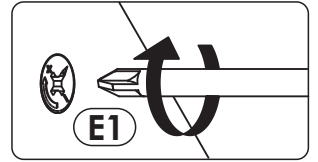
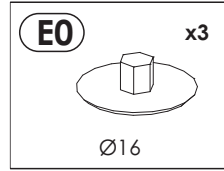
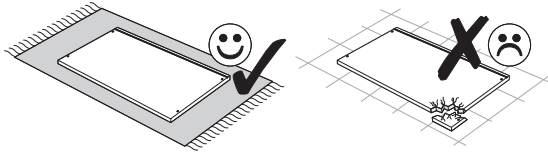
32 ▶



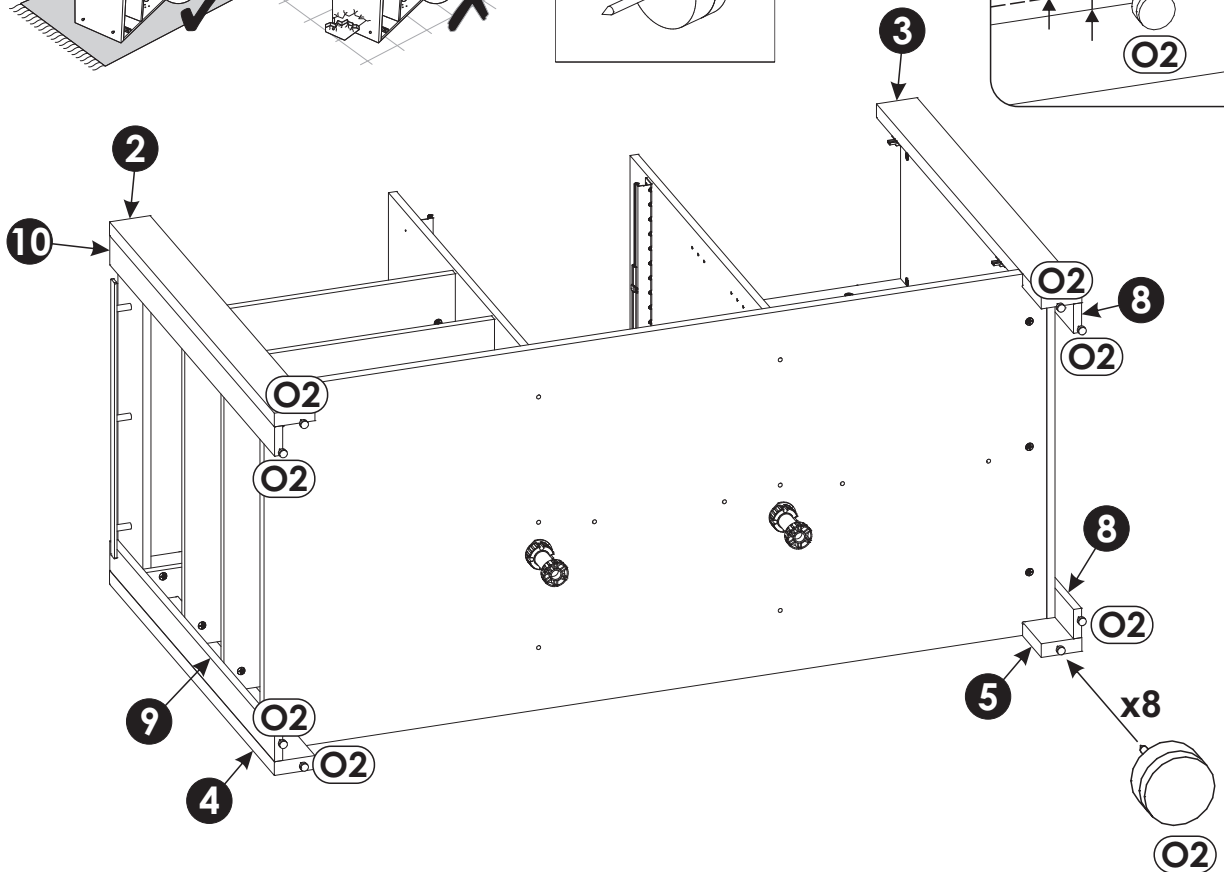
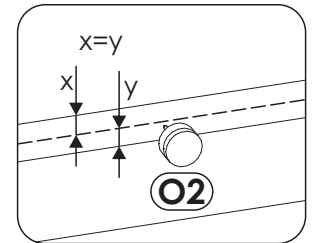
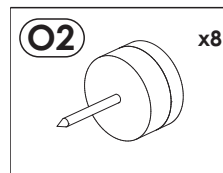
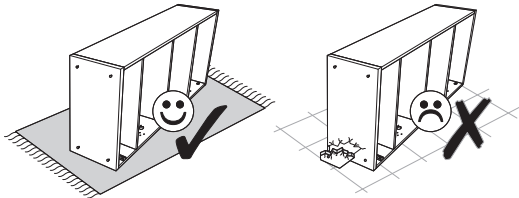
33 ▶



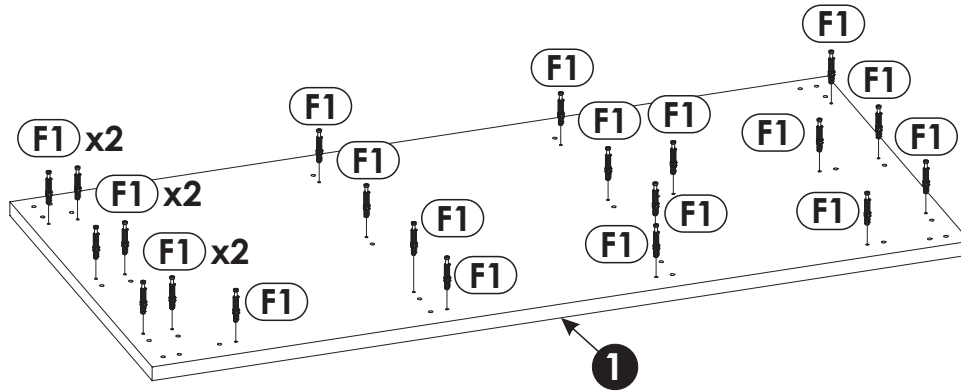
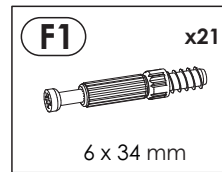
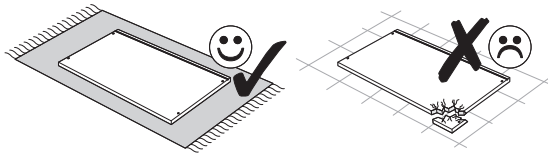
34 ▶



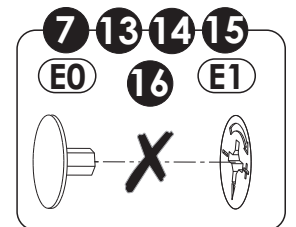
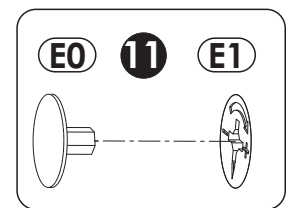
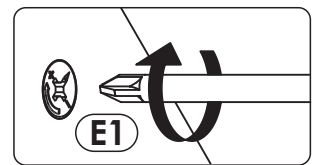
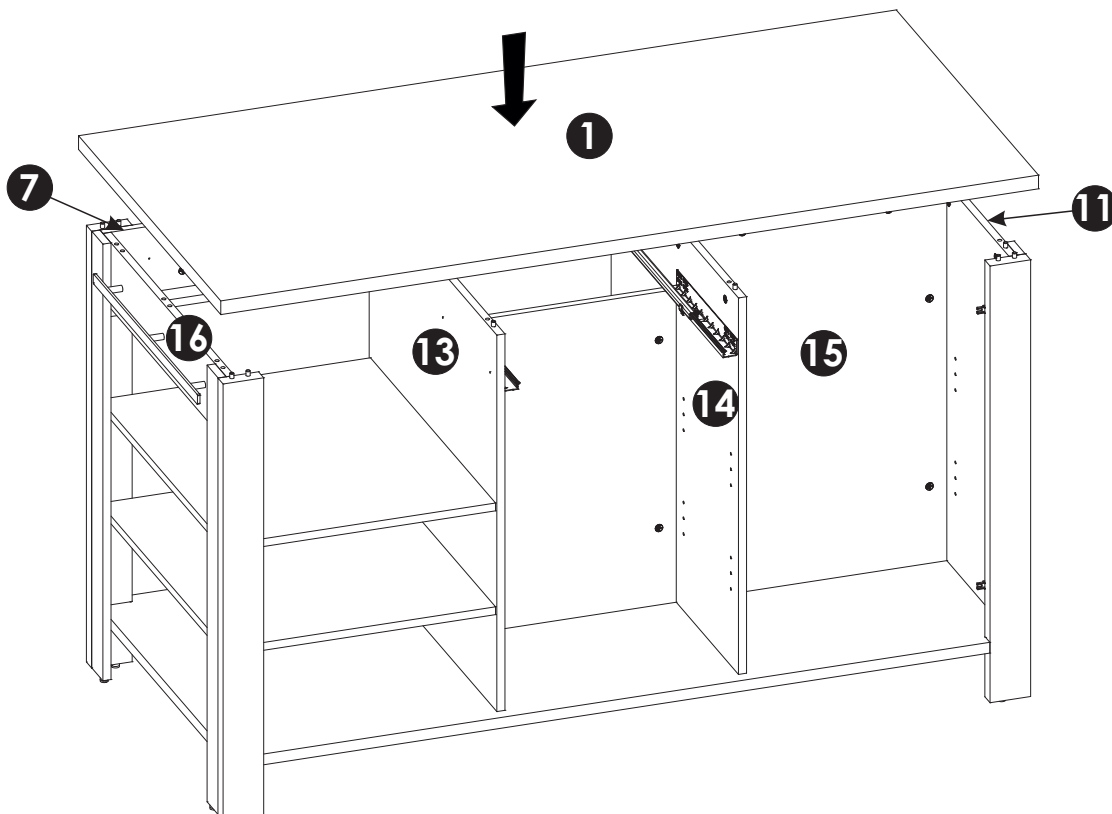
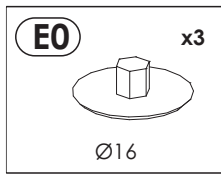
35 ▶



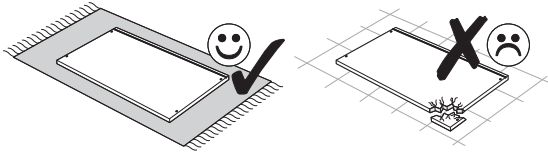
36 ▶



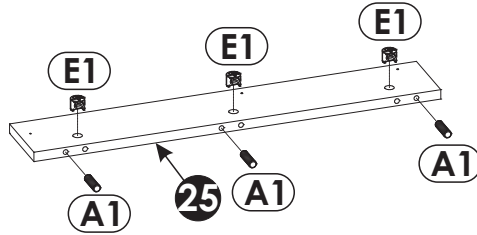
37 ▶



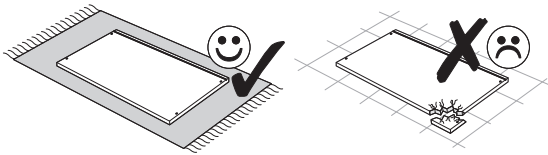
38 ▶



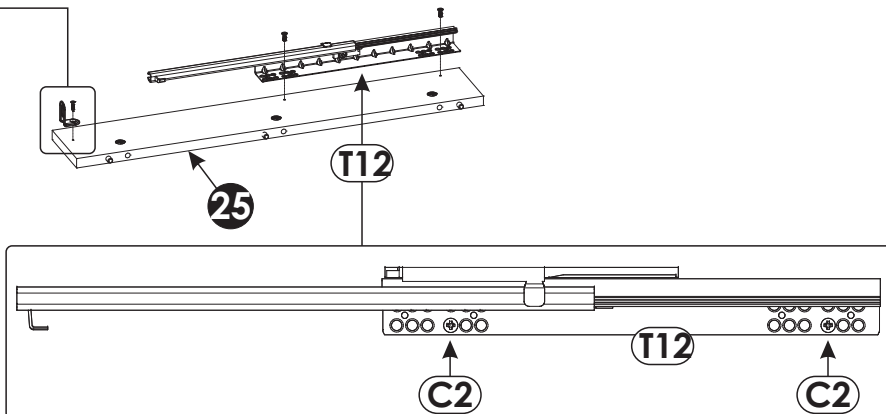
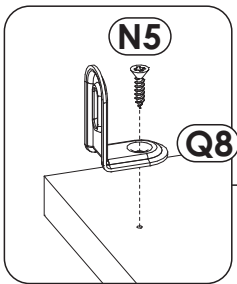
A1 8 x 35 mm	x3	E1 15 x 12 mm	x3
------------------------	----	-------------------------	----



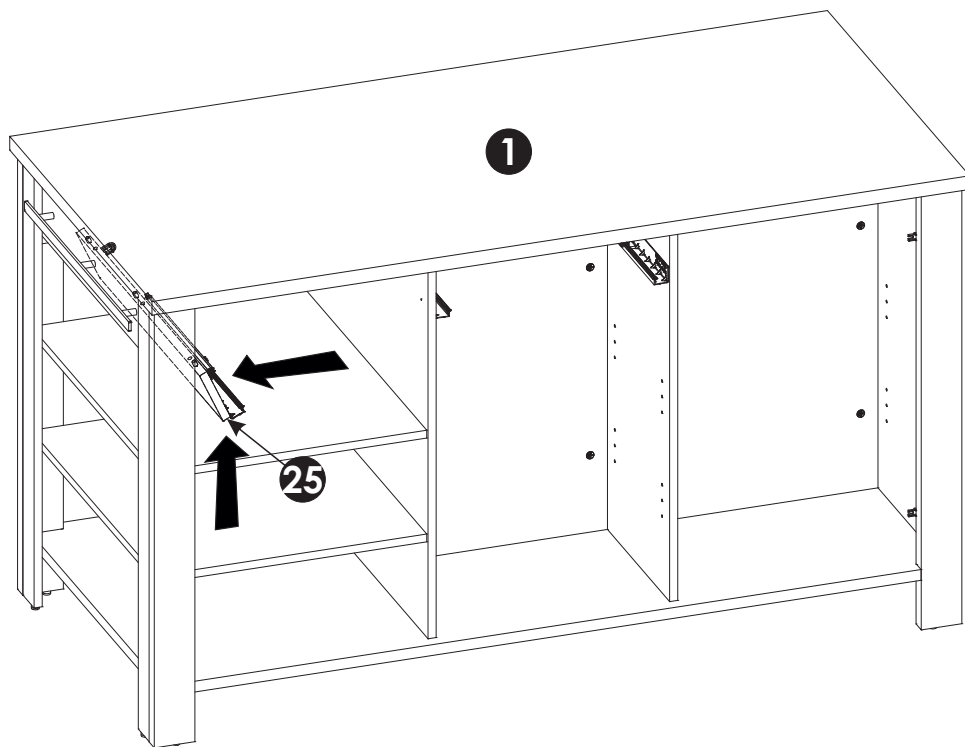
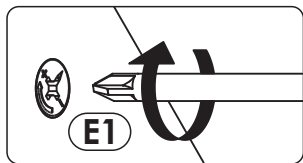
39 ▶



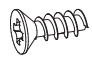
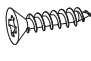


C2 5 x 13 mm	x2	N5 3,5 x 16 mm	x1	T12	x1
Q8	x1				

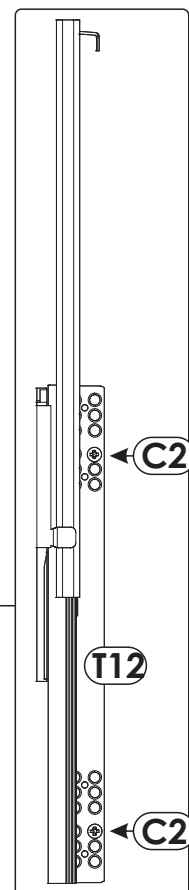
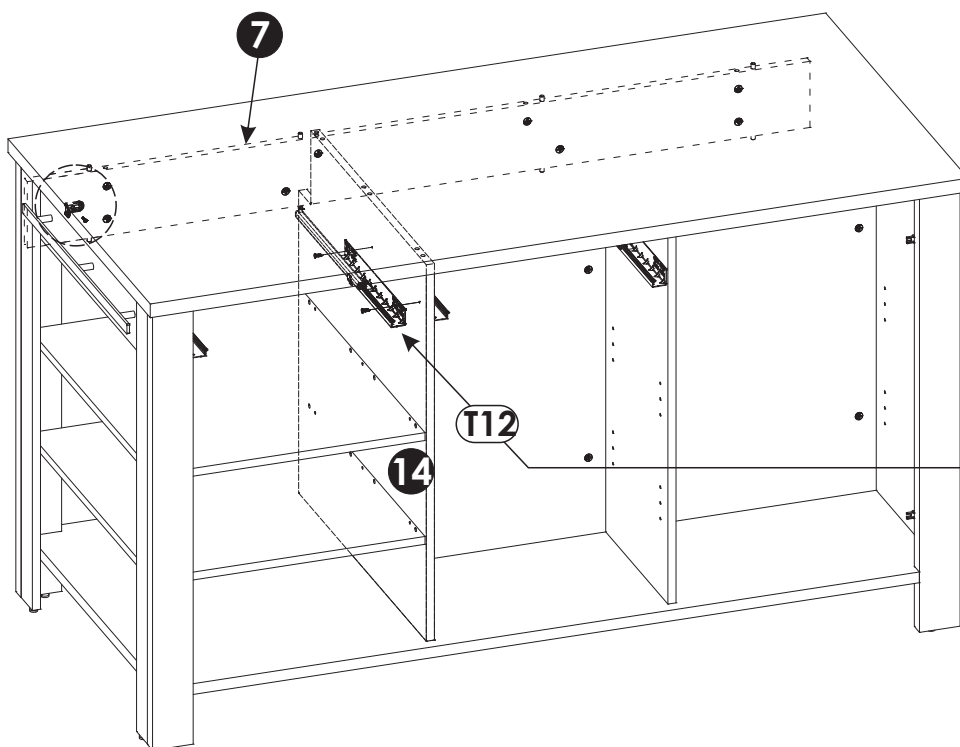
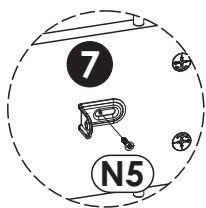


40 ▶

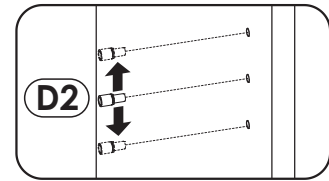
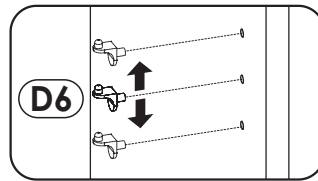
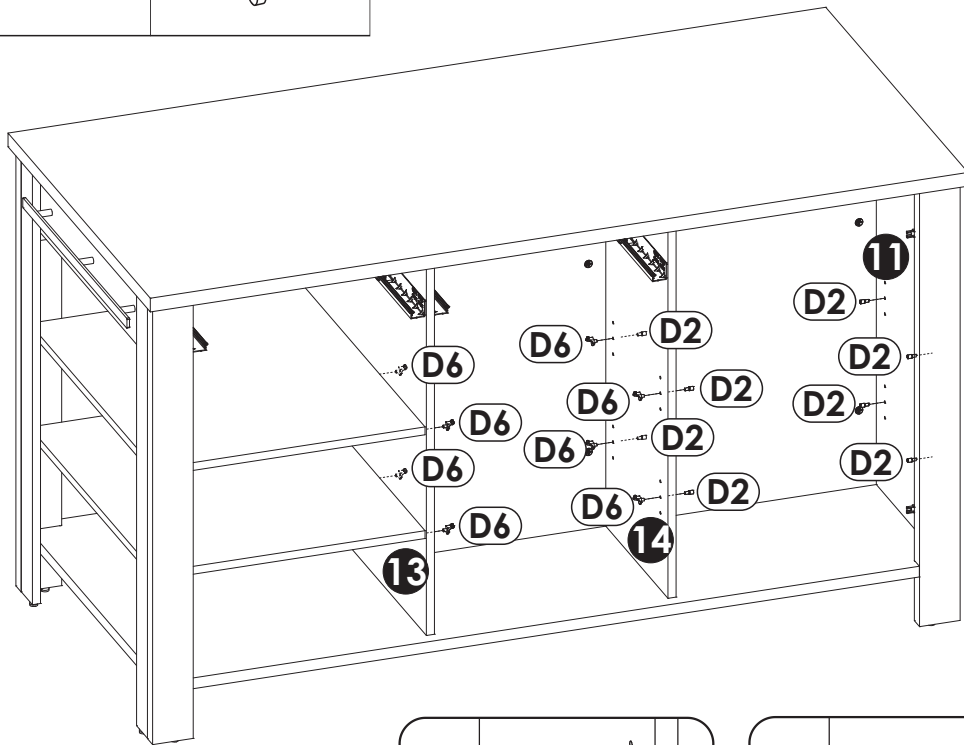
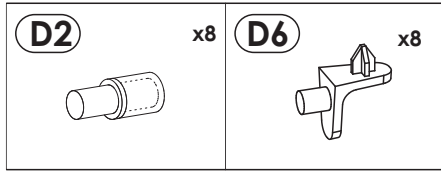


41 ▶

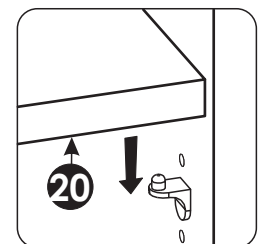
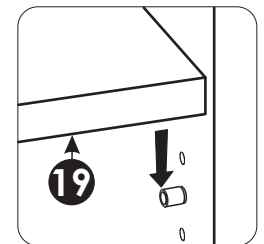
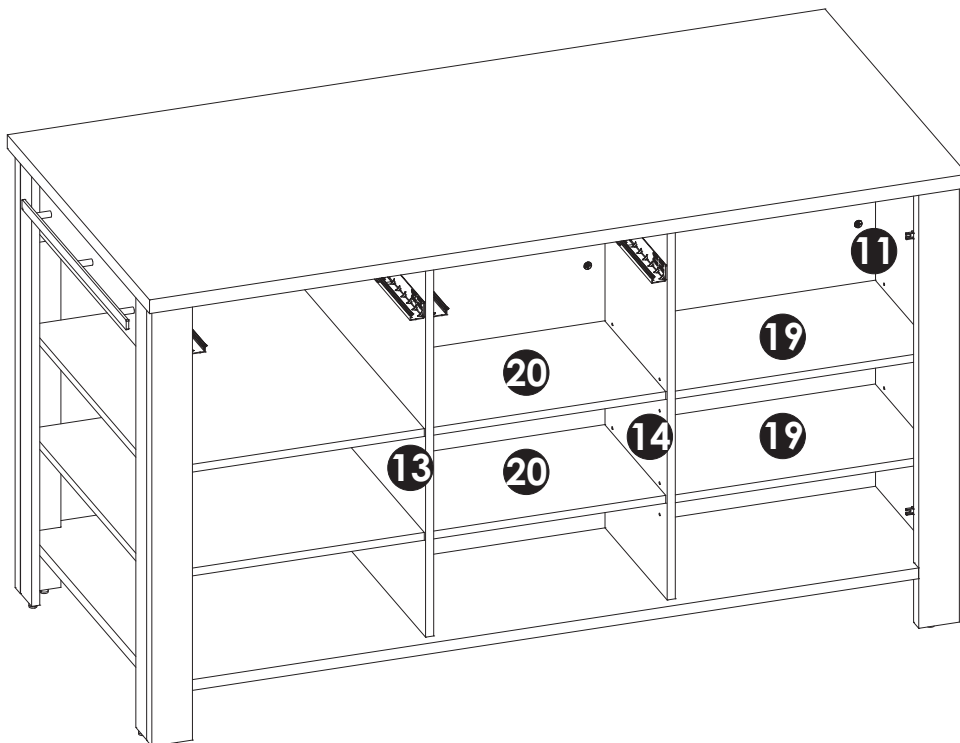
C2 x2  5 x 13 mm	N5 x1  3,5 x 16 mm	T12 x1 
Q8 x1 		



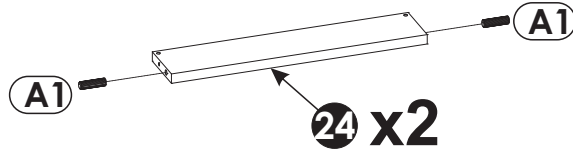
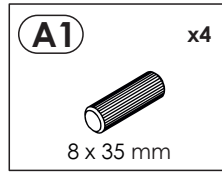
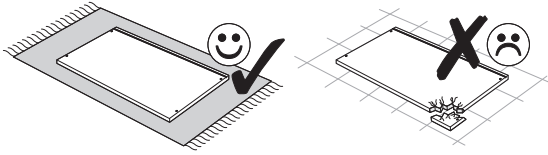
42▶



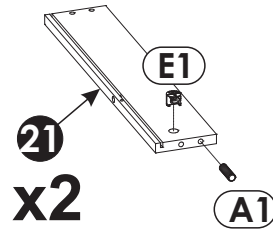
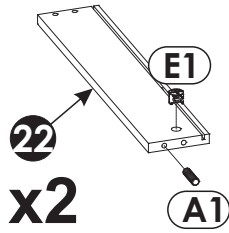
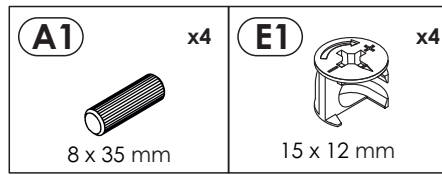
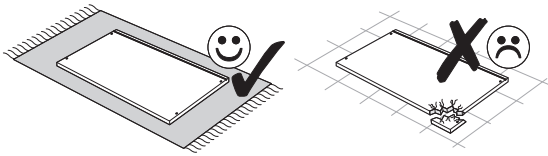
43▶



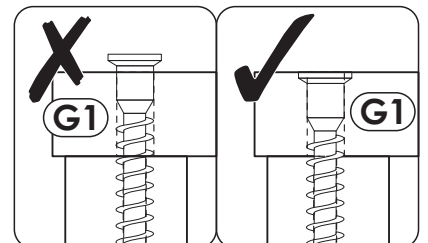
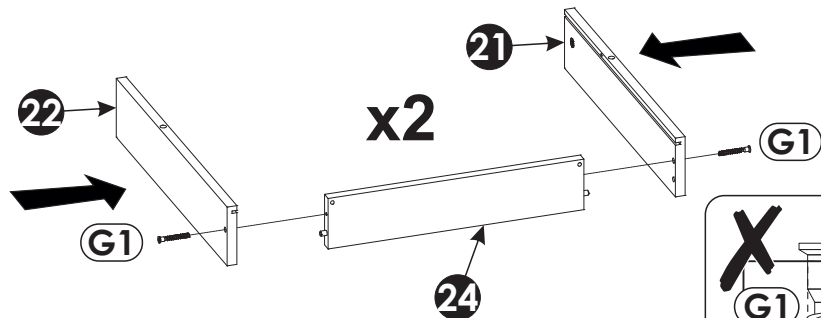
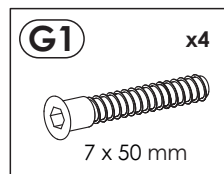
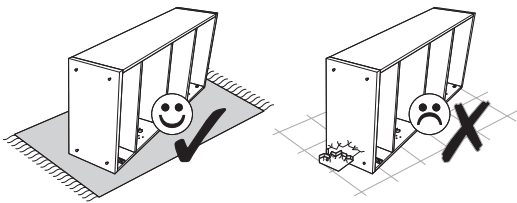
44▶



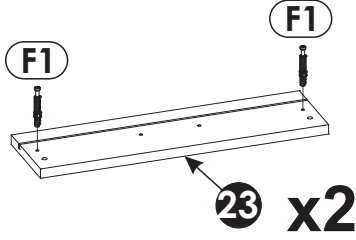
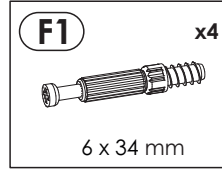
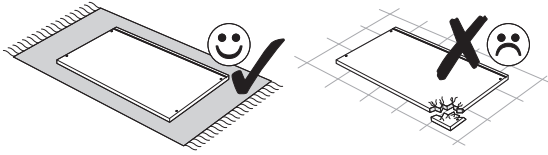
45▶



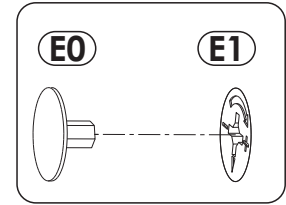
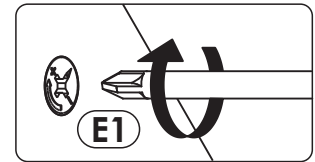
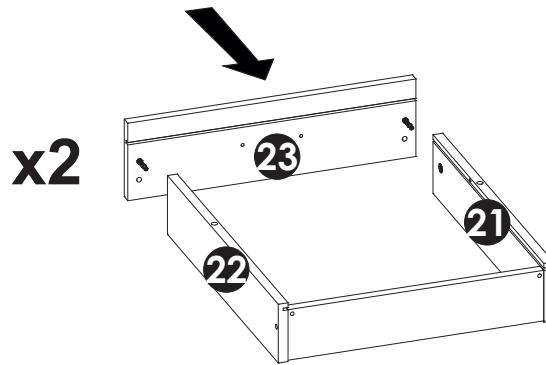
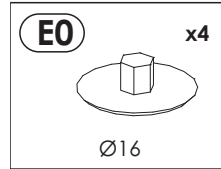
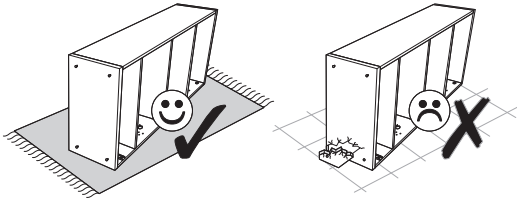
46▶



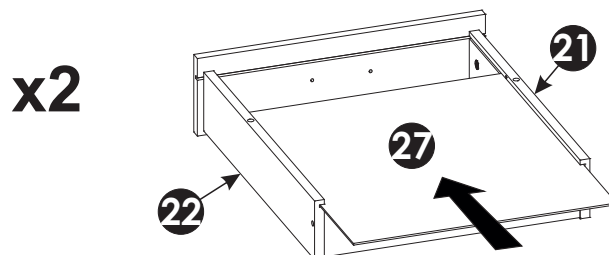
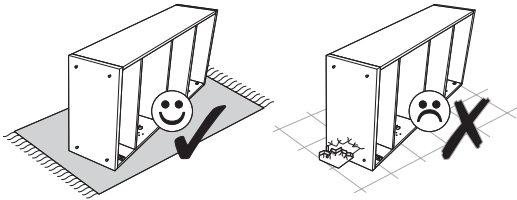
47▶



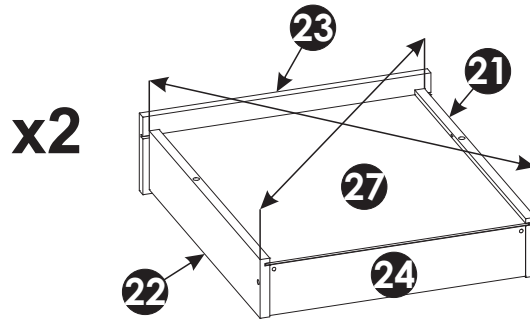
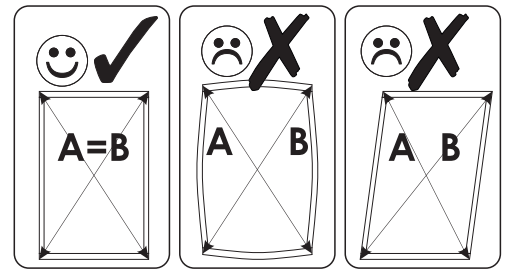
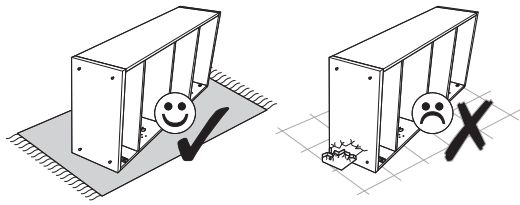
48▶



49▶

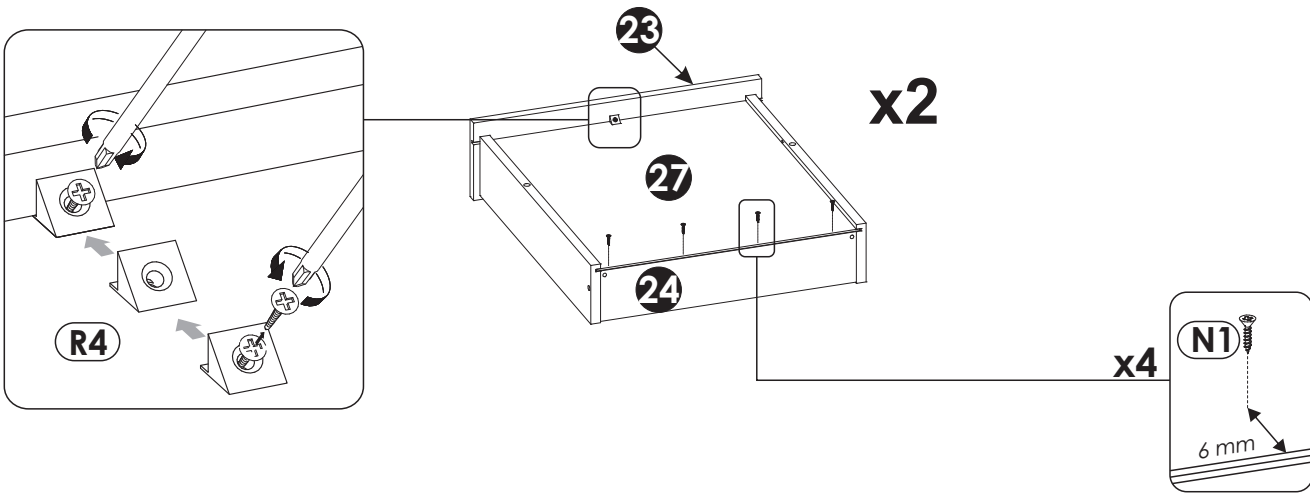
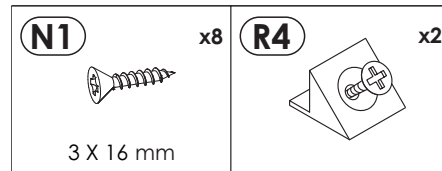
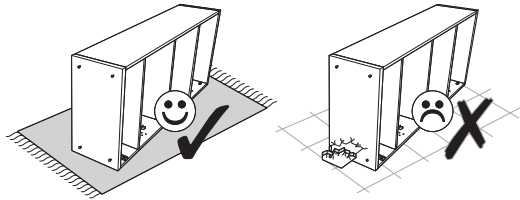


50 ▶

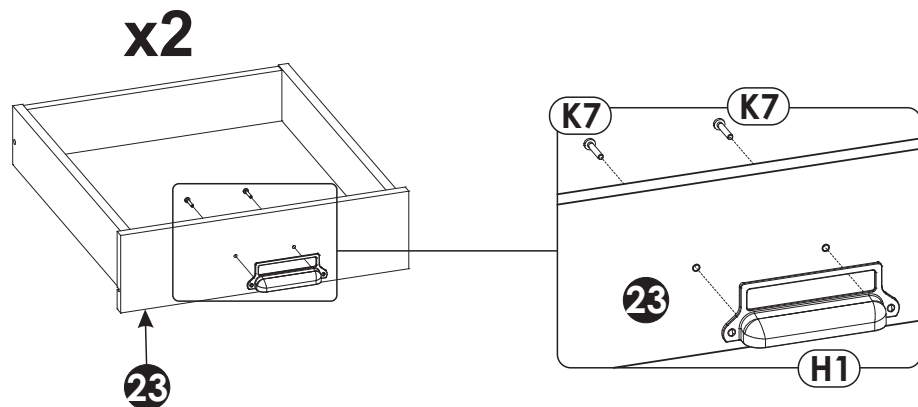
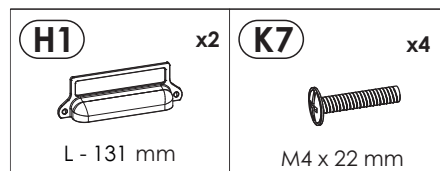
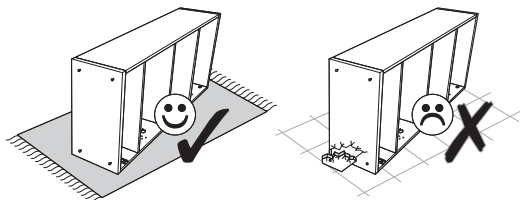


A=B

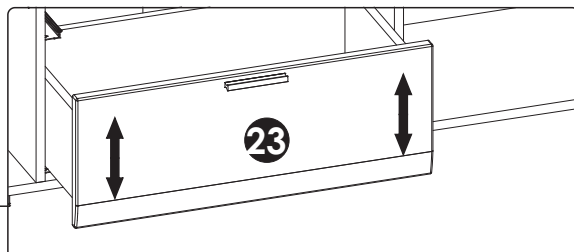
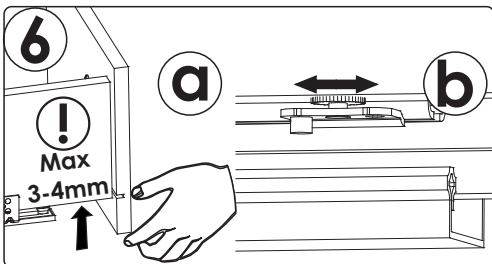
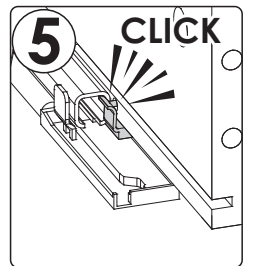
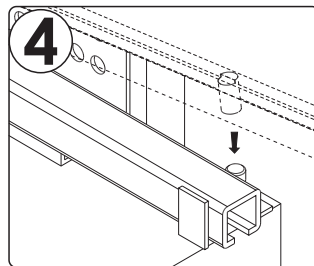
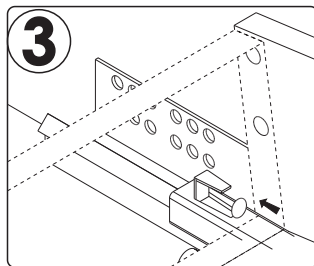
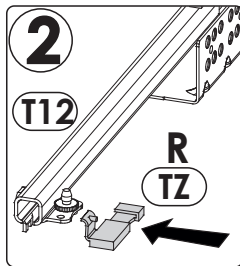
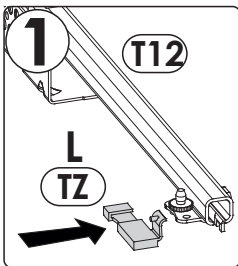
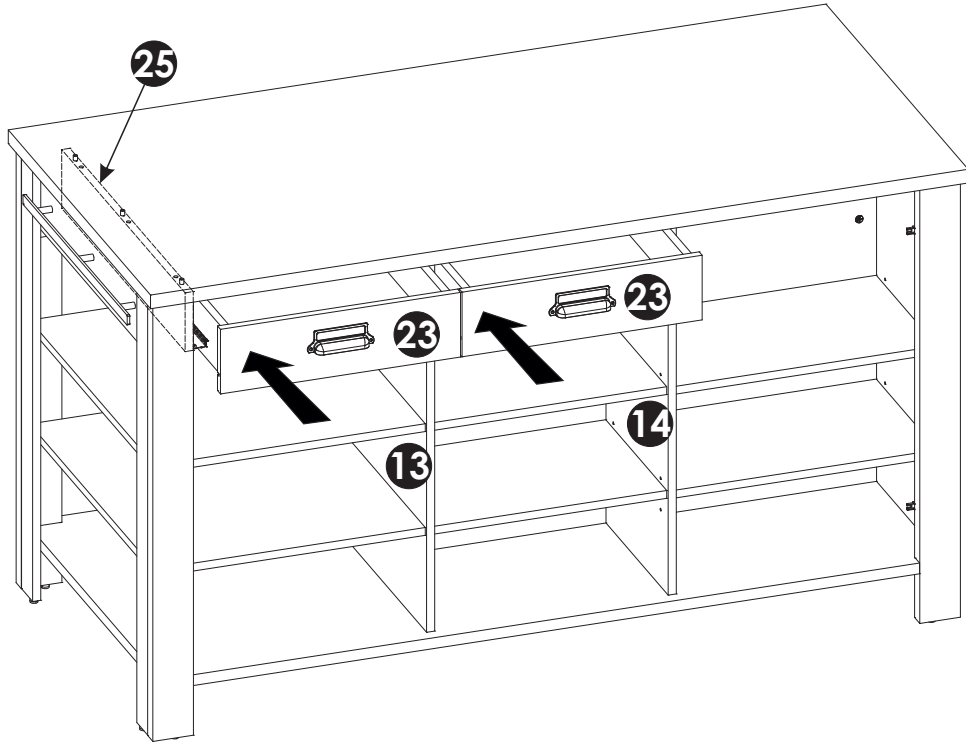
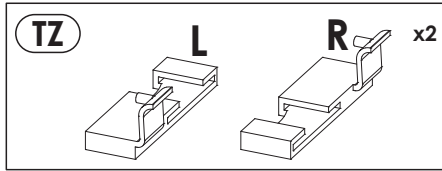
51 ▶



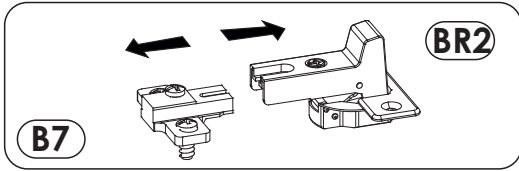
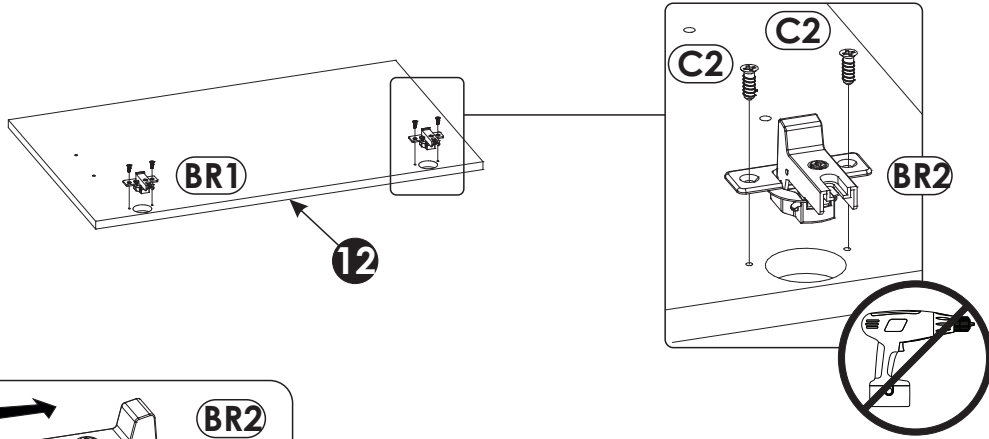
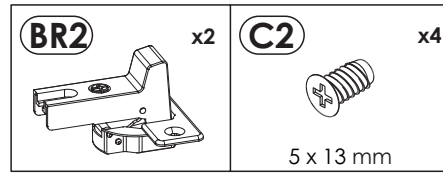
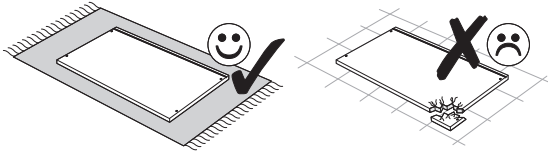
52 ▶



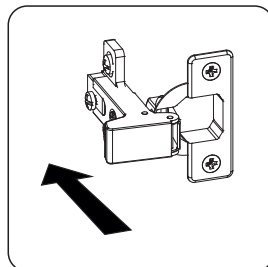
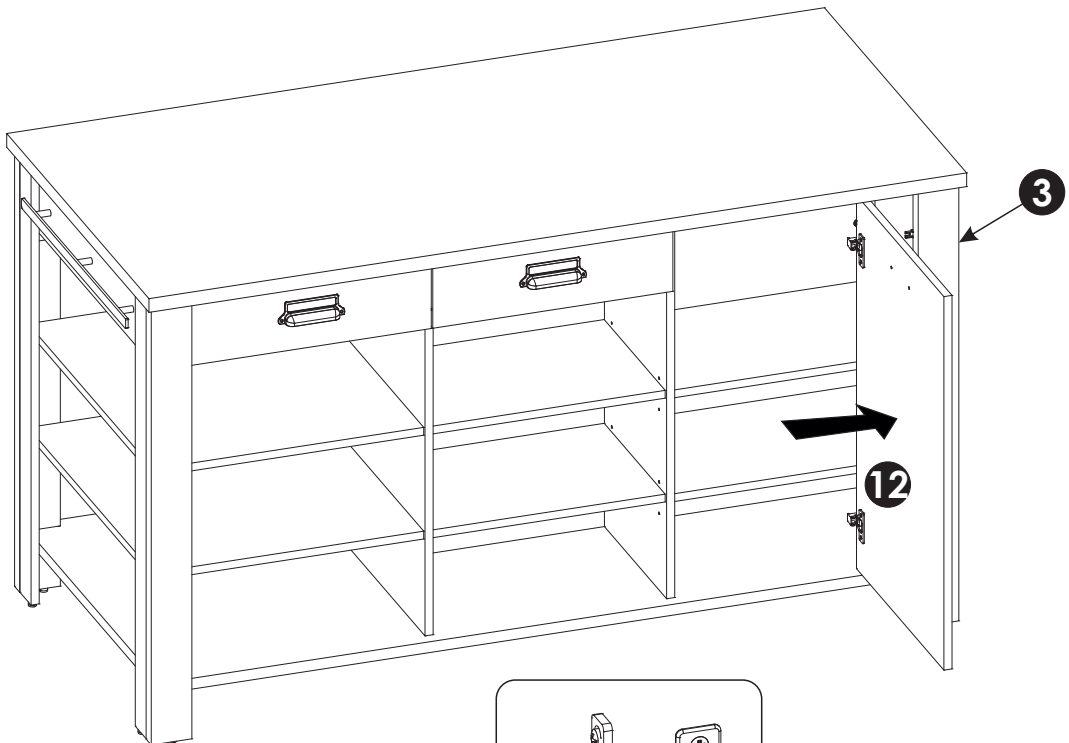
53 ▶



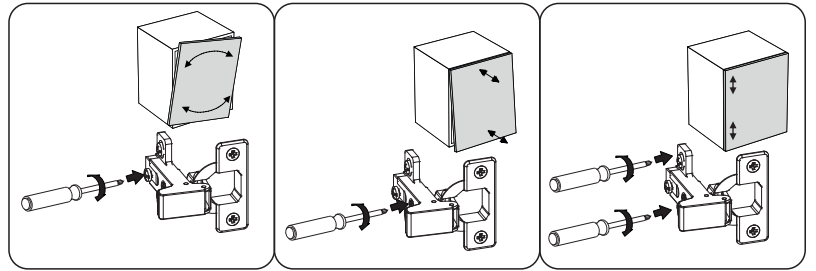
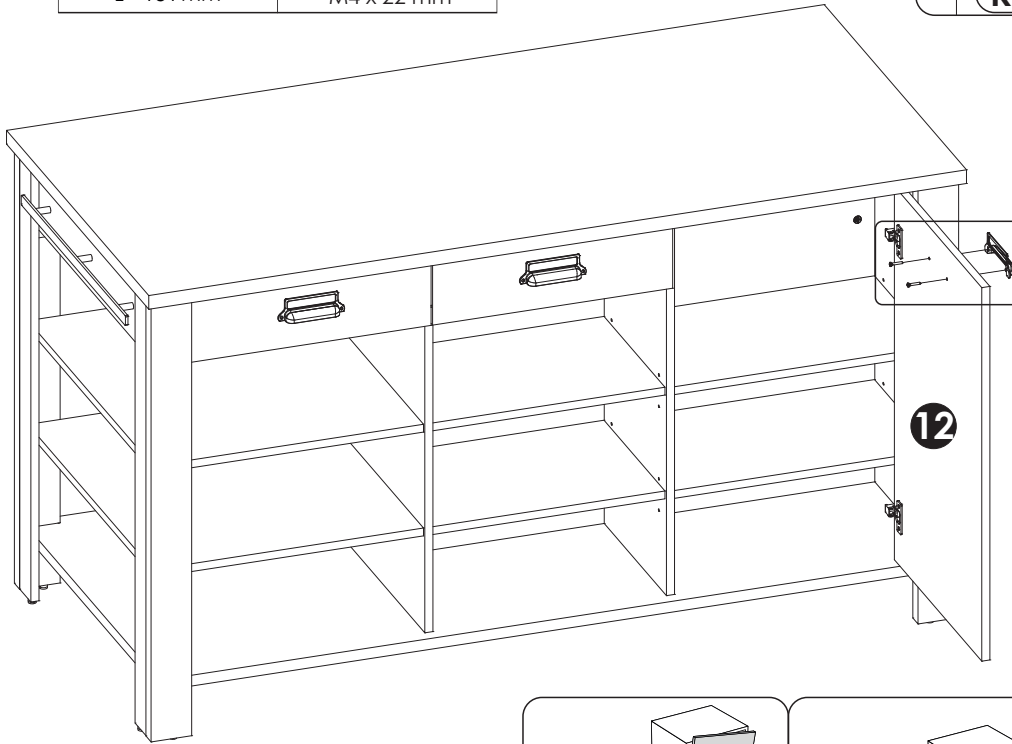
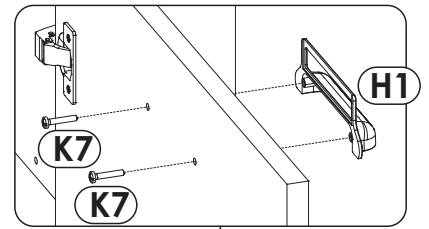
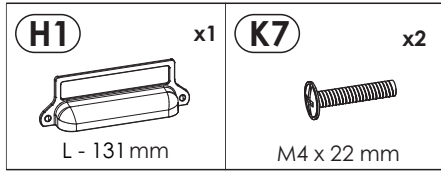
54▶



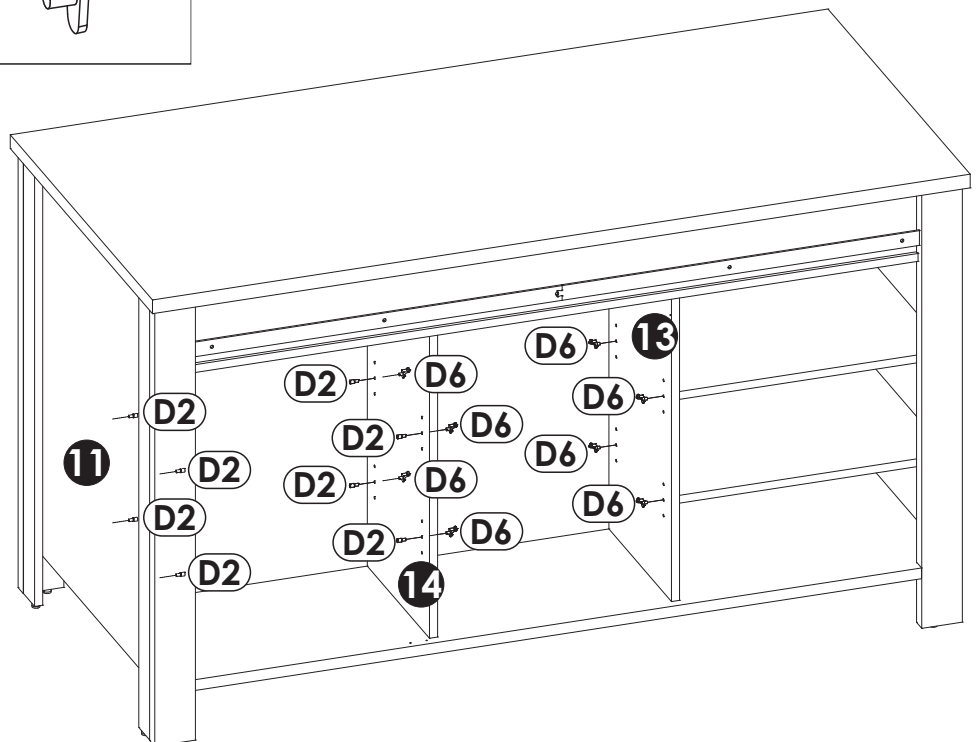
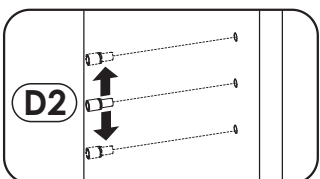
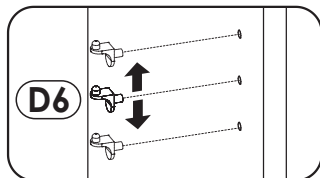
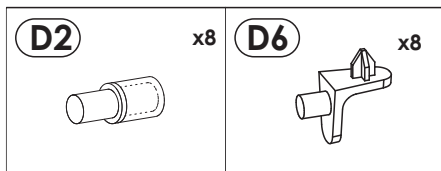
55▶



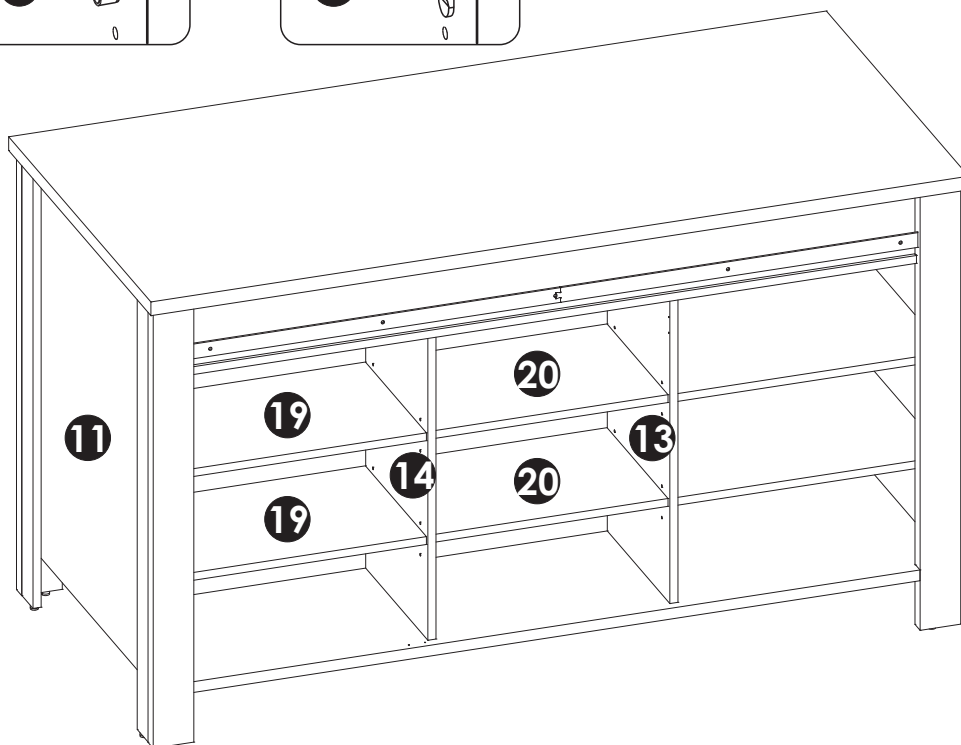
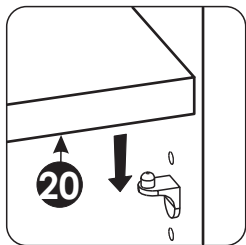
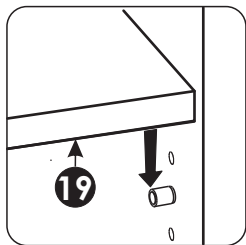
56 ▶



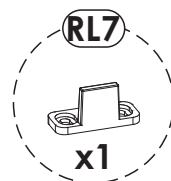
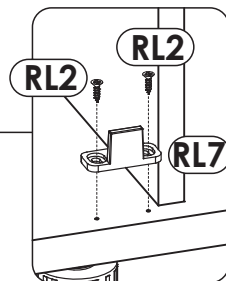
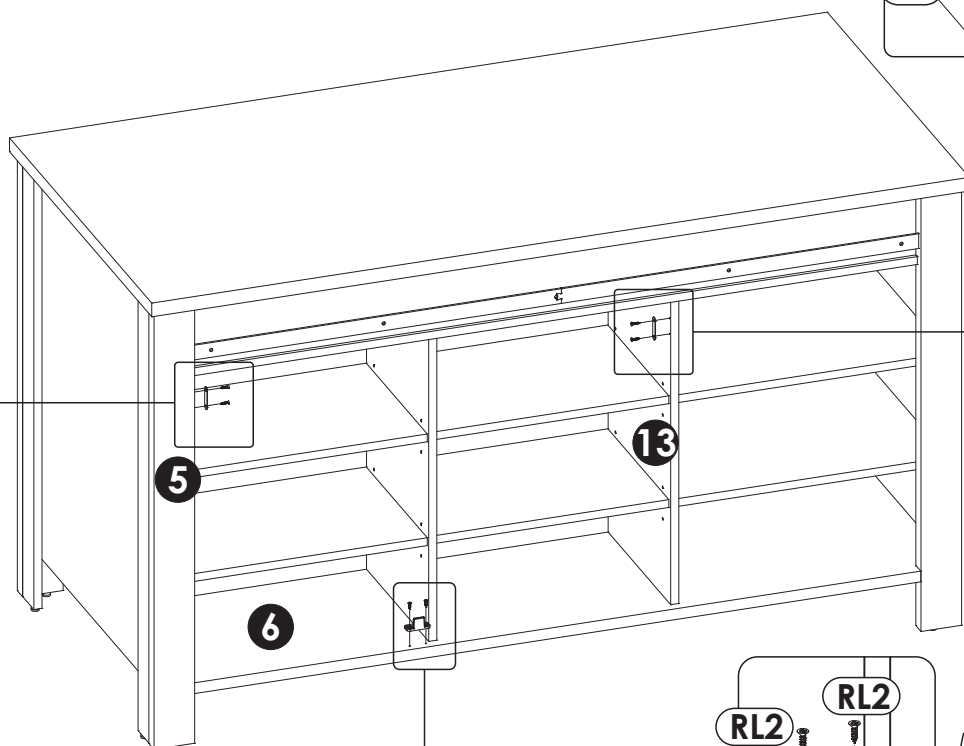
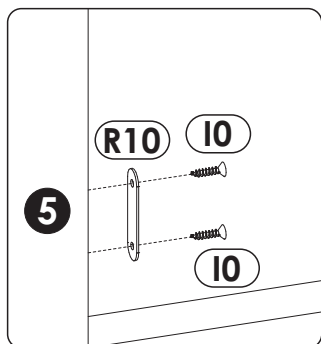
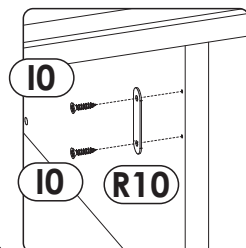
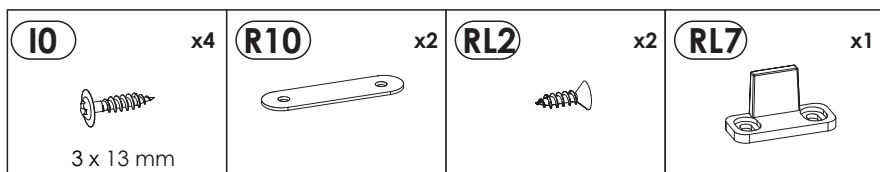
57 ▶



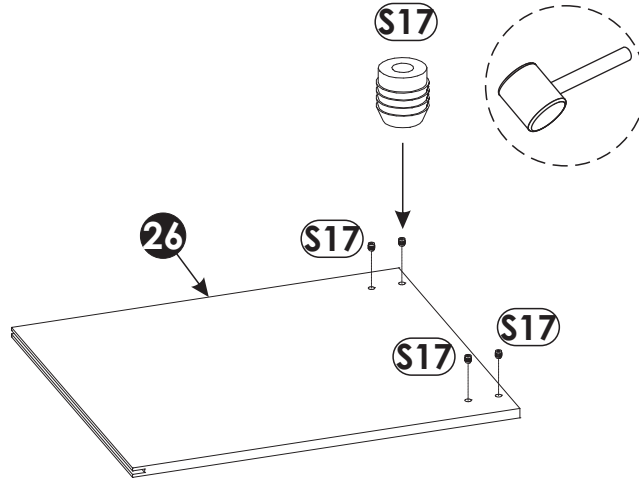
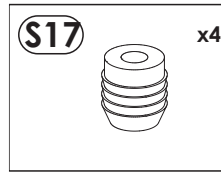
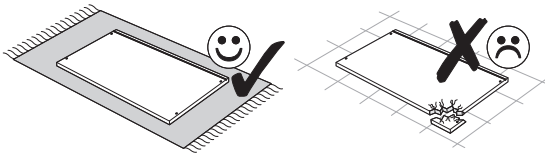
58 ▶▶



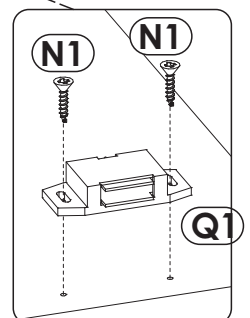
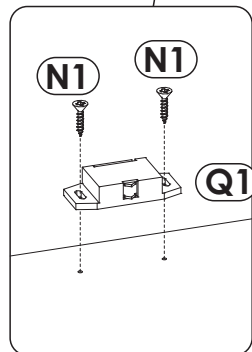
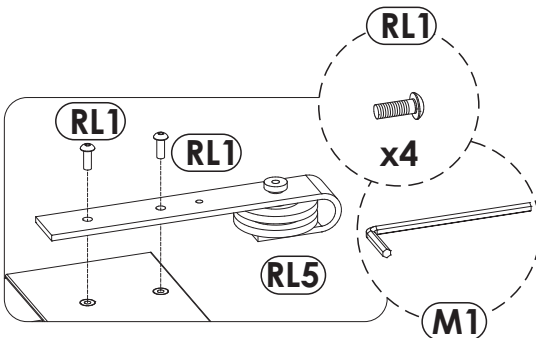
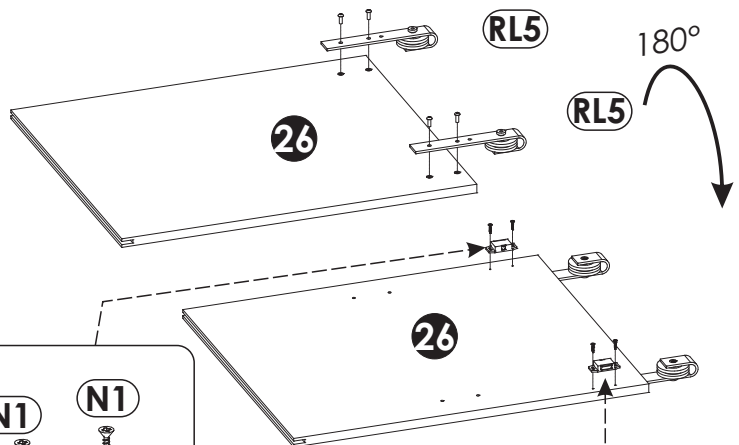
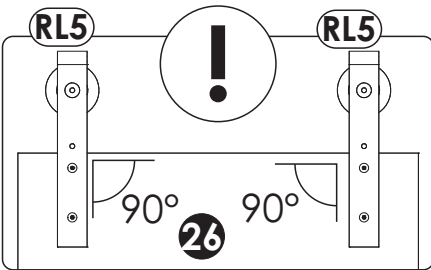
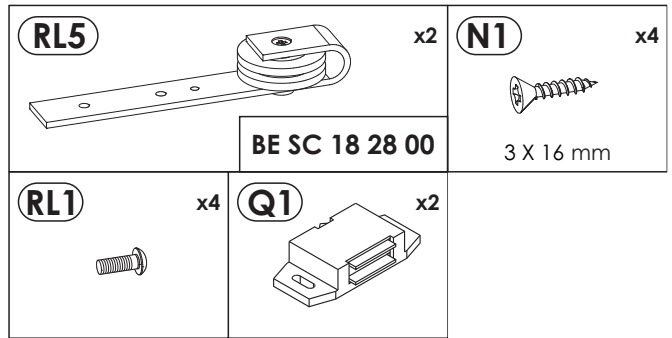
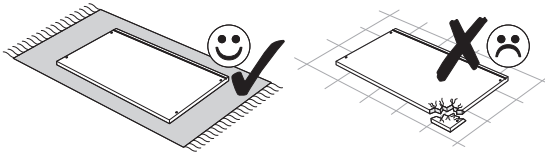
59 ▶▶



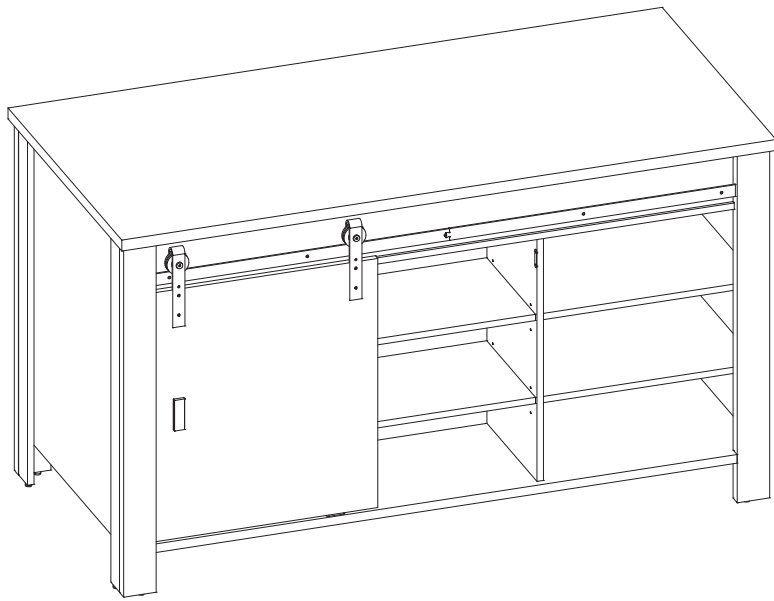
60 ▶



61 ▶

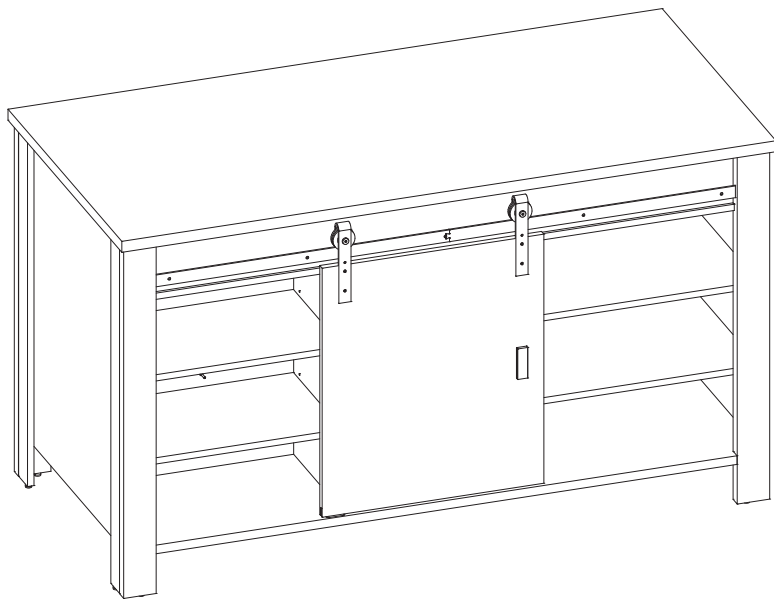


L



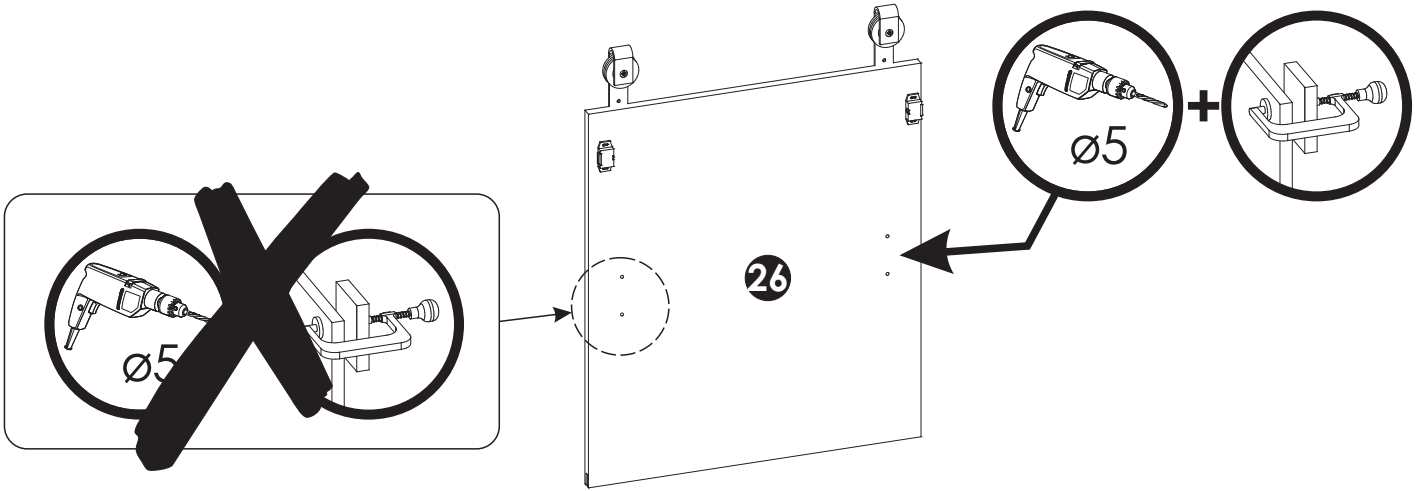
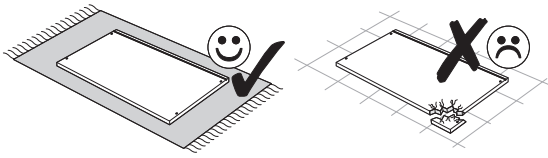
39 - 42

R

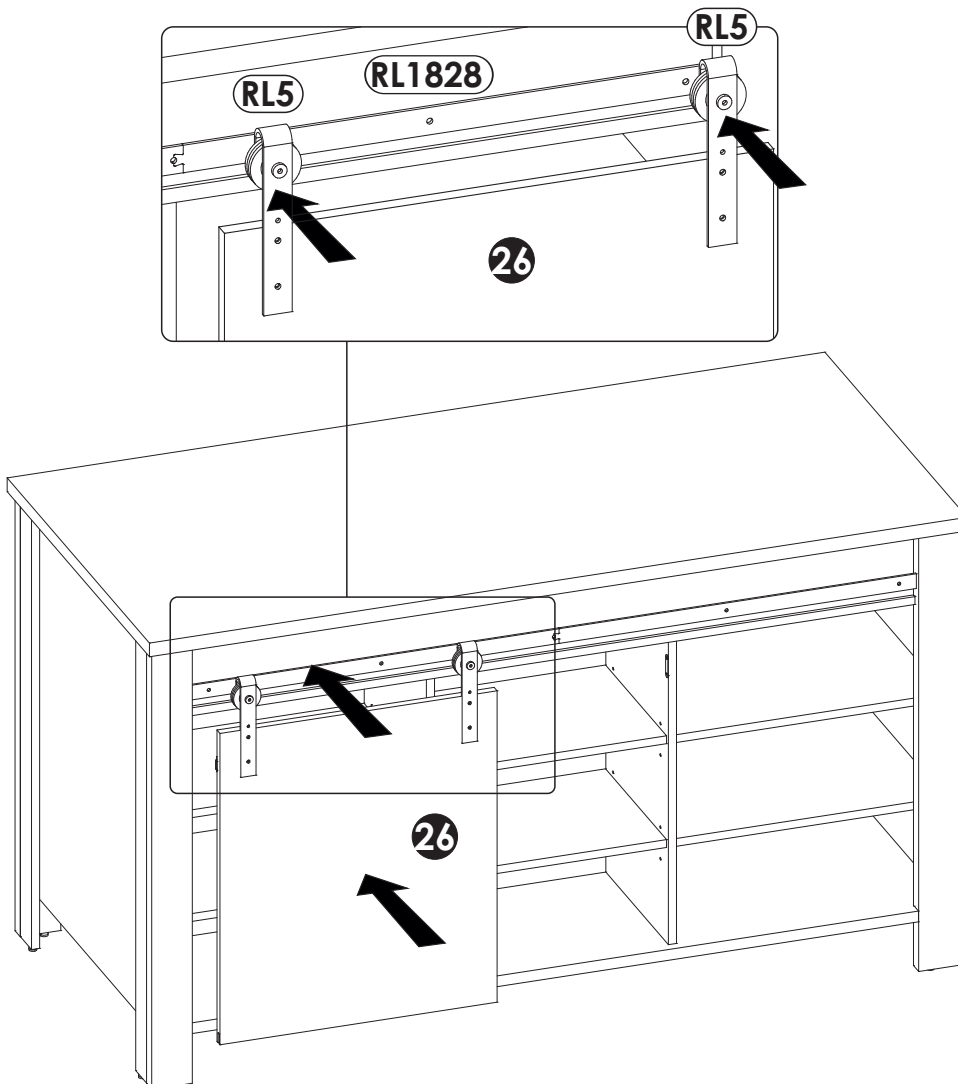


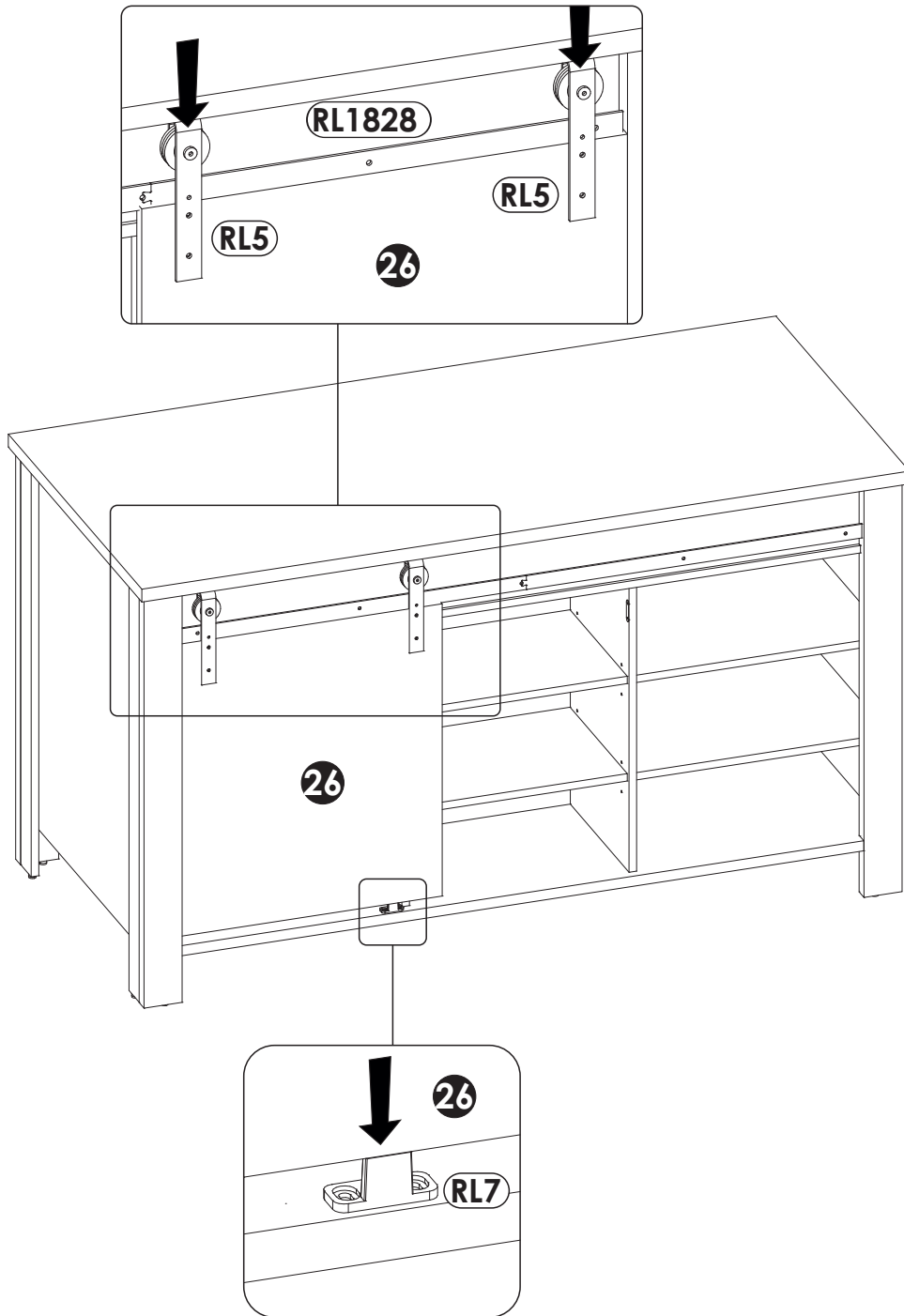
44 - 47

62 ▶




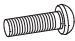


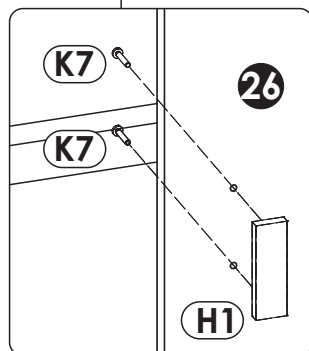
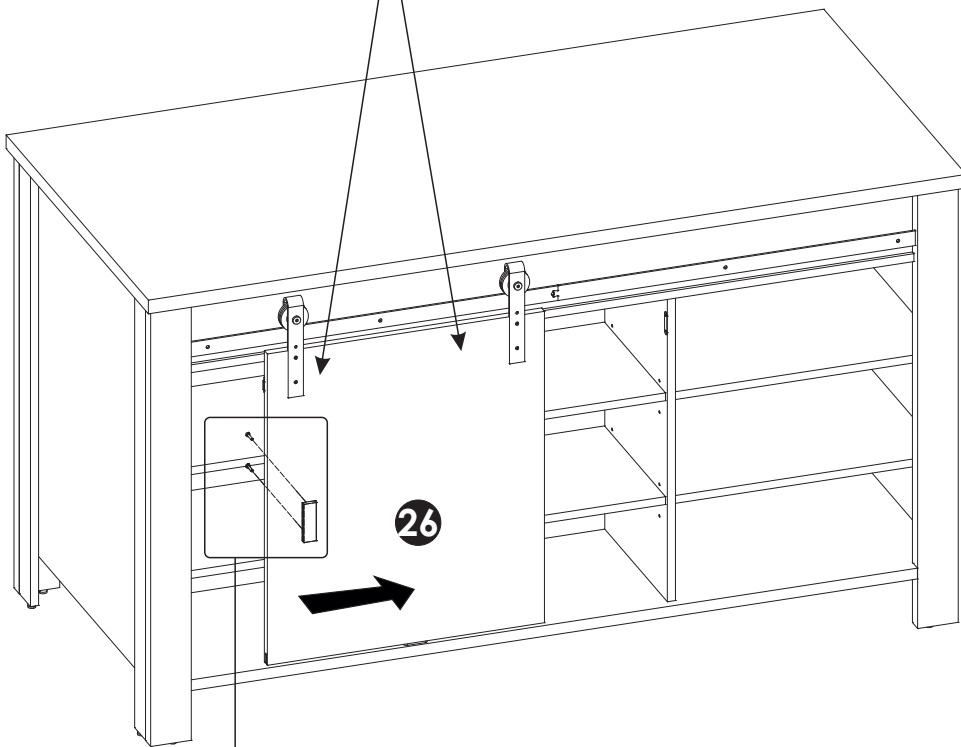
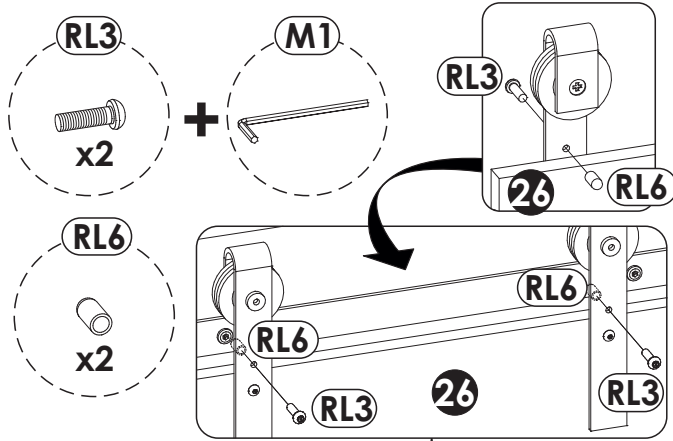
63 ▶





65 ▶

H2 x1  L - 78 mm	K7 x2  M4 x 22 mm	RL6 x2 	RL3 x2 
---	--	---	--



66 ▶

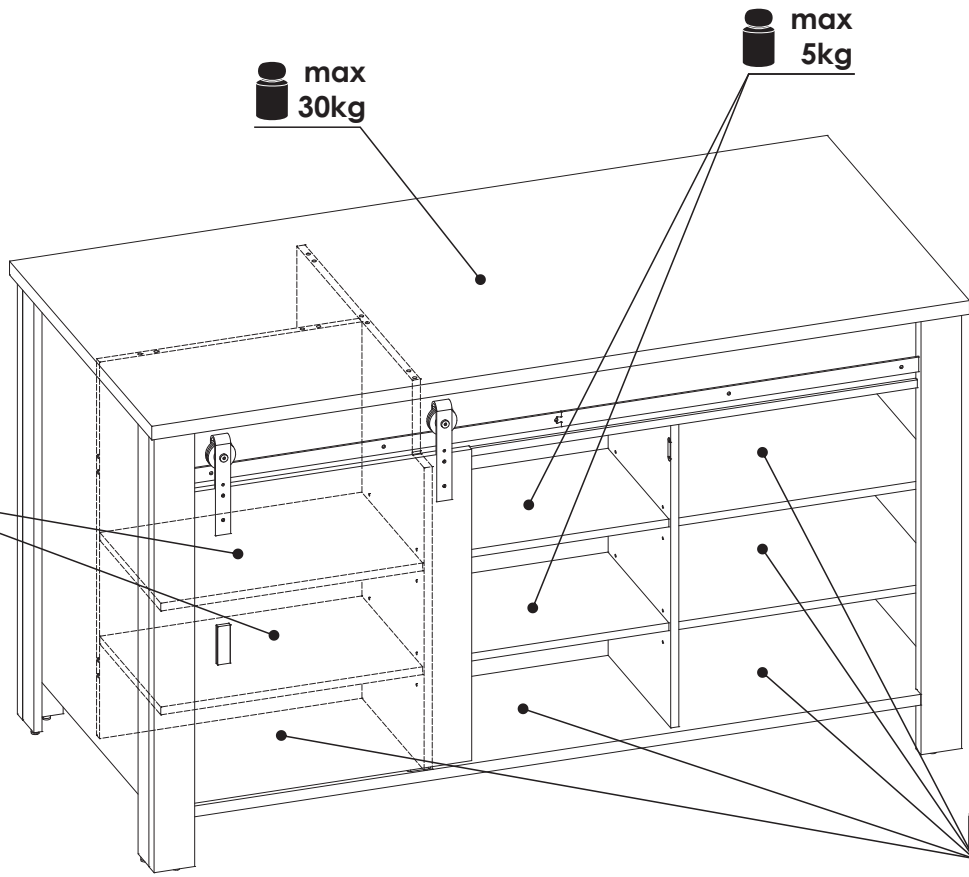


max
5kg

max
30kg

max
5kg

max
10kg

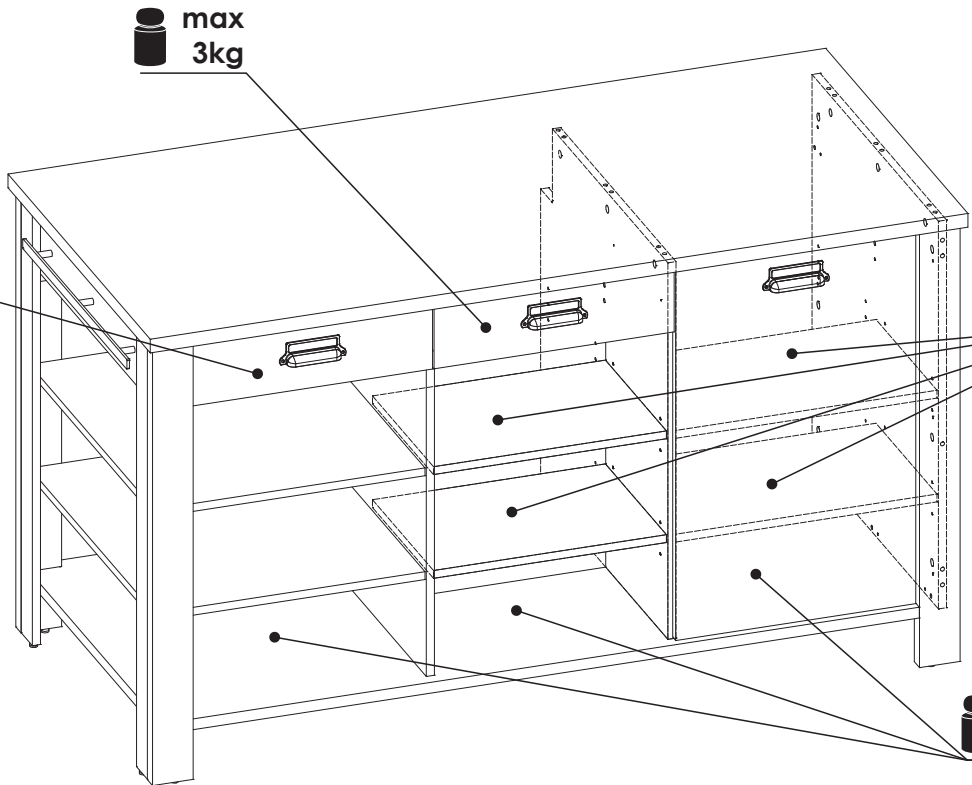


max
3kg

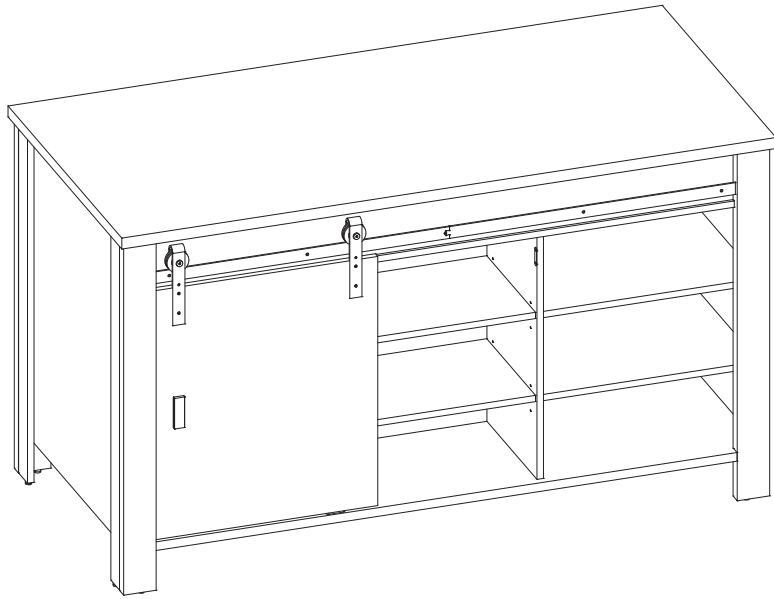
max
3kg

max
5kg

max
10kg

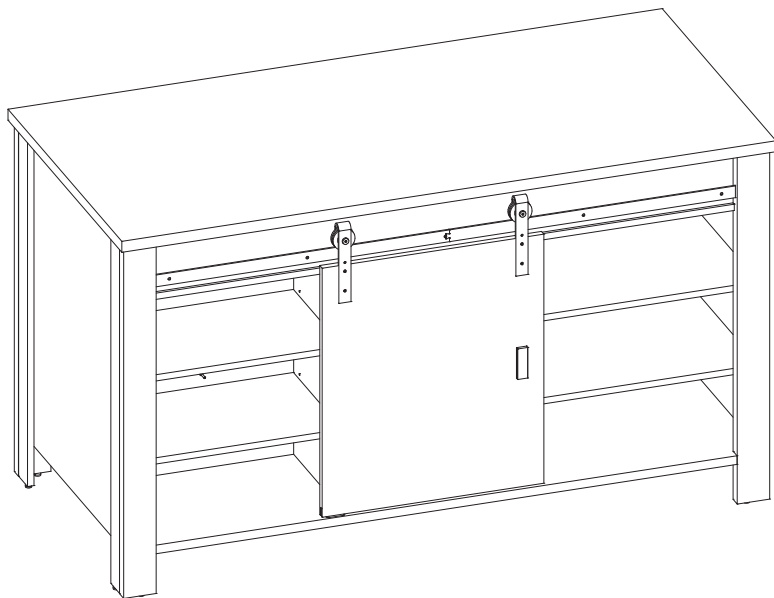


L



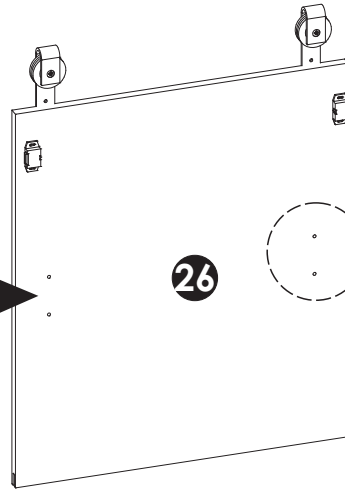
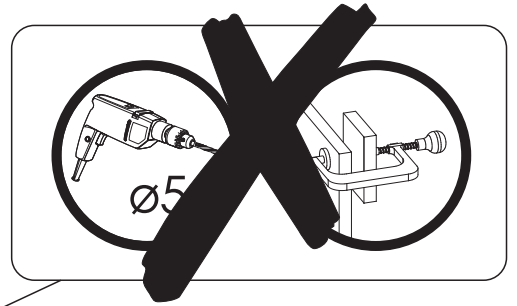
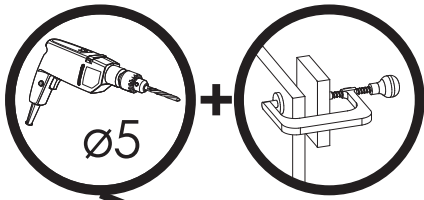
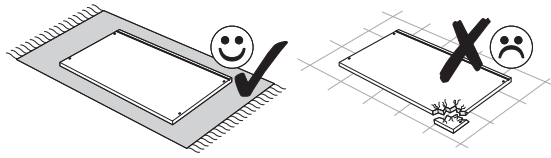
39 - 42

R

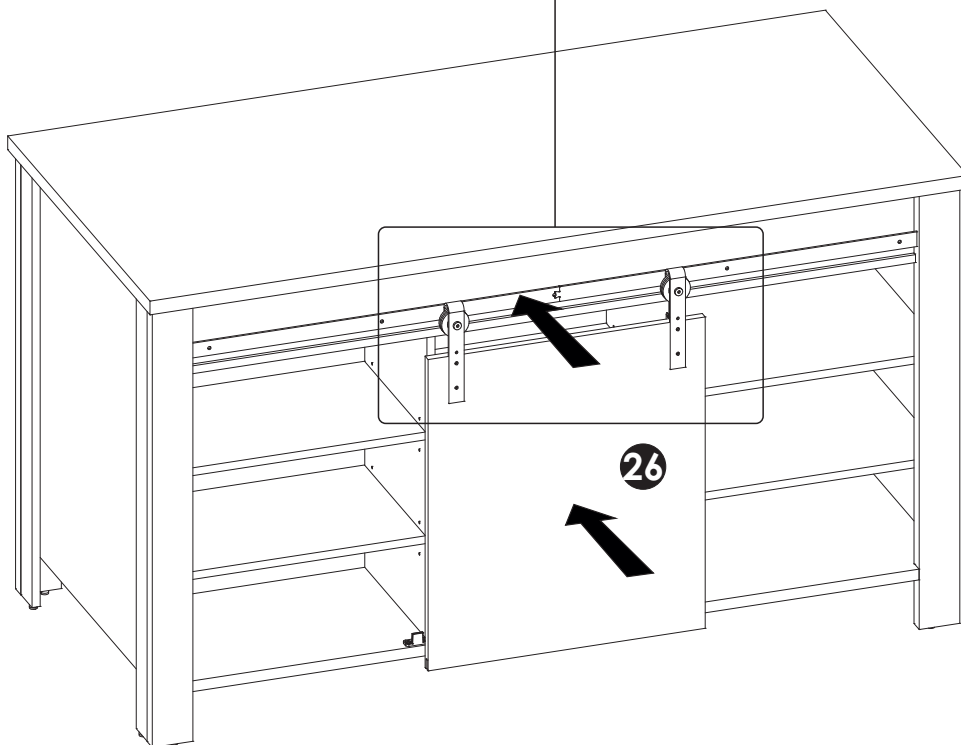
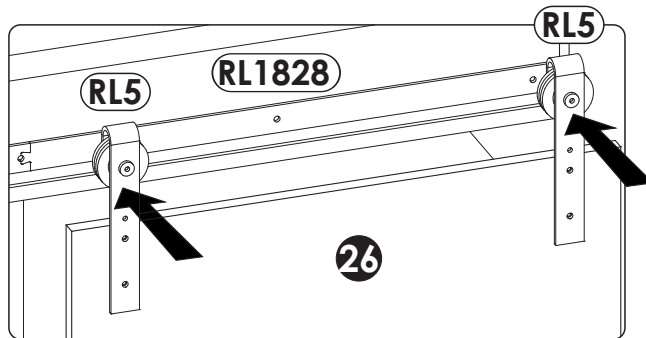


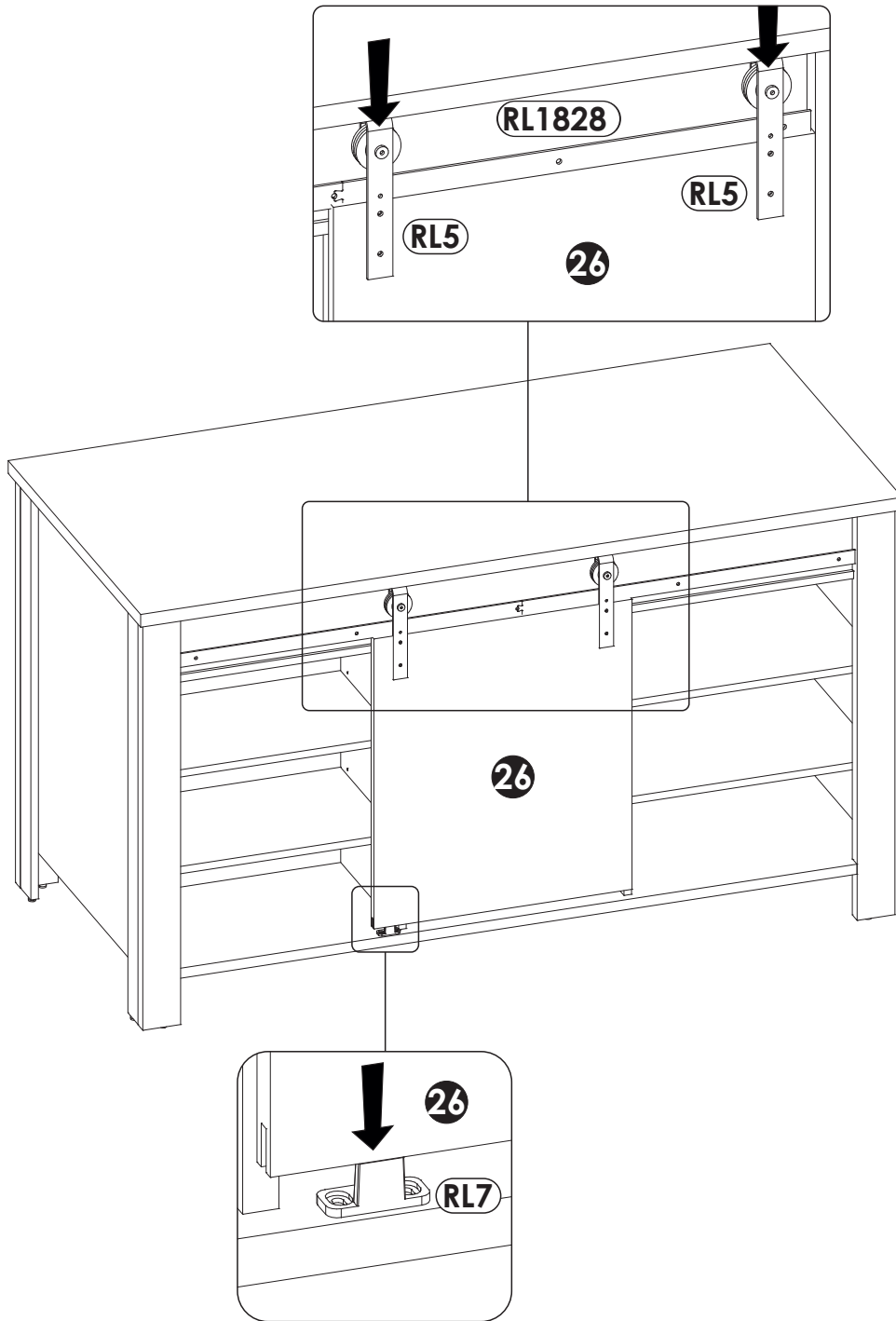
44 - 47

62▶




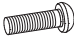


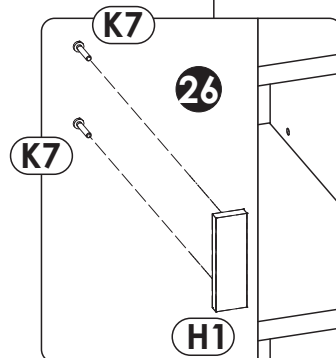
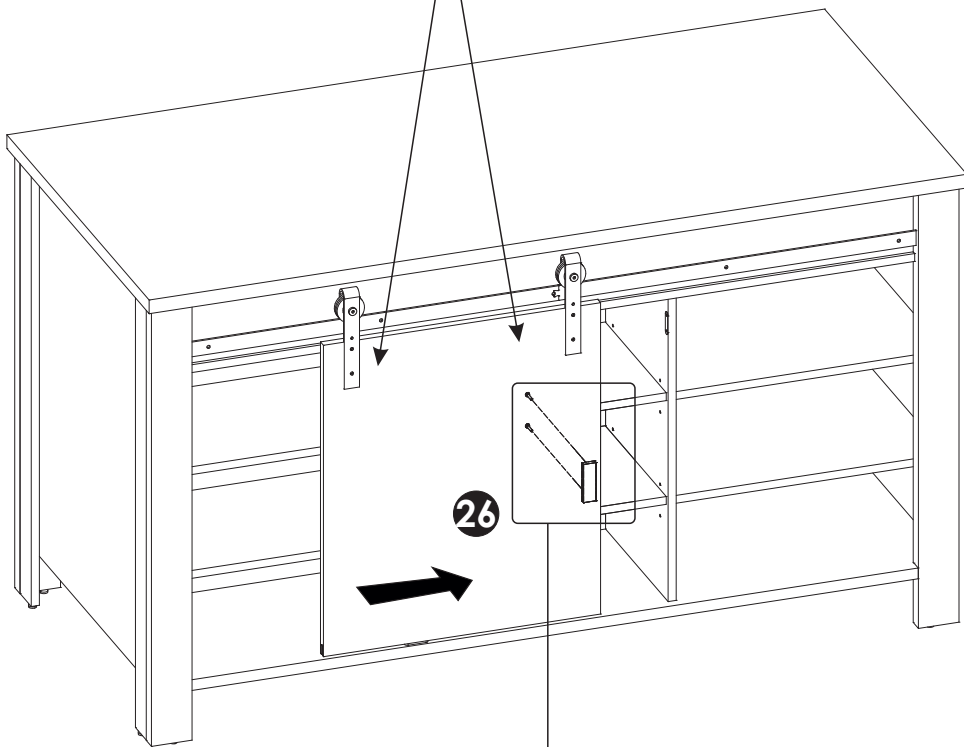
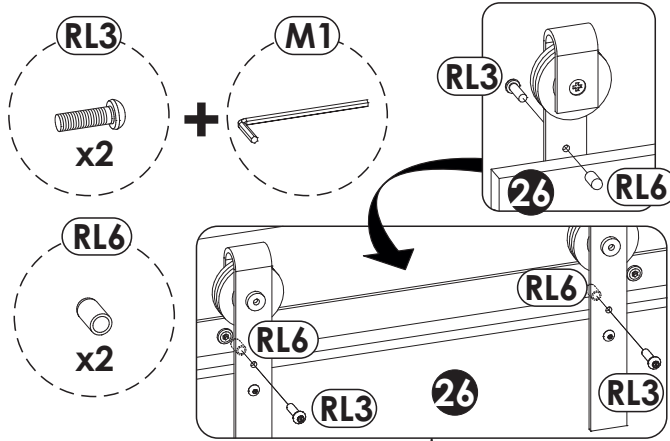
63▶





65 ▶

H2  L - 78 mm	x1	K7  M4 x 22 mm	x2	RL6 	x2	RL3 	x2
---	----	--	----	---	----	--	----



66 ▶



max
5kg

