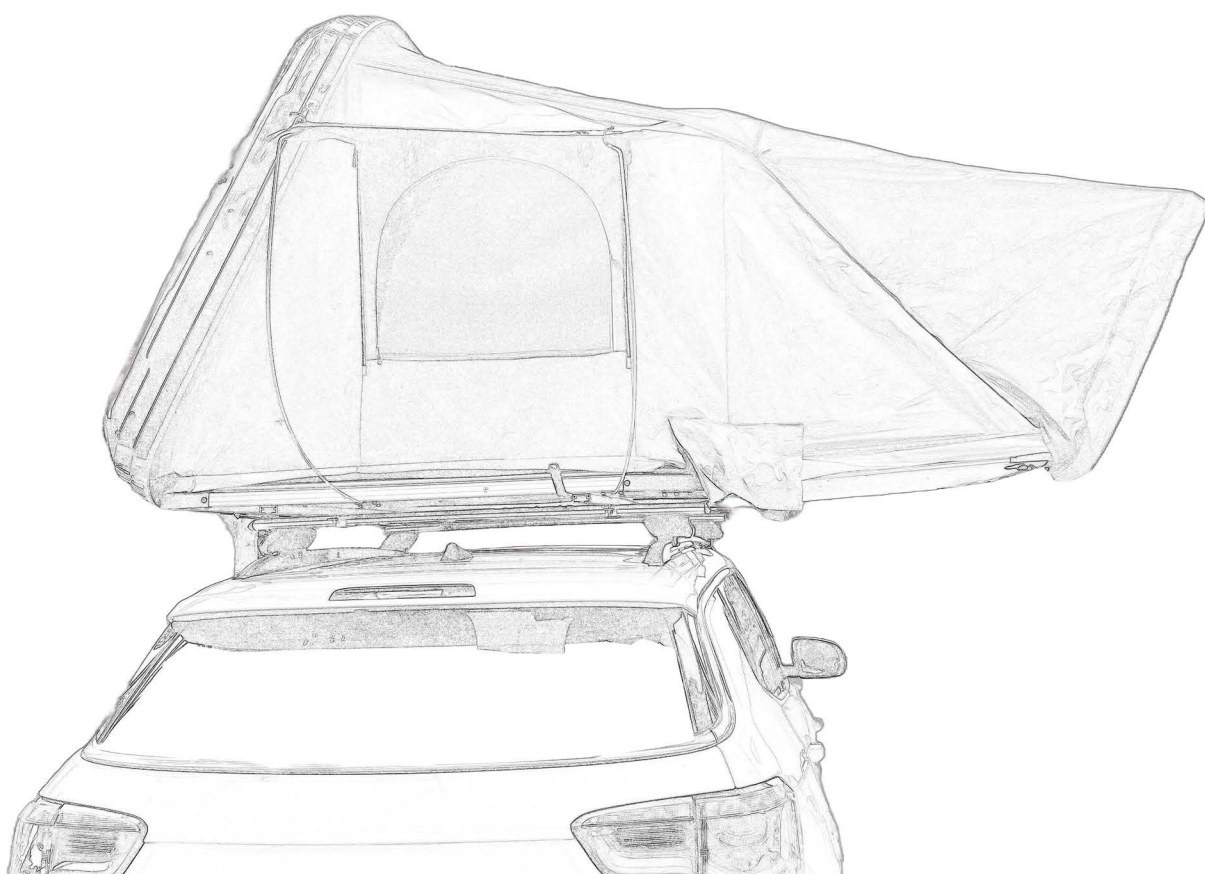


EJ-8085



CAUTIONS

1. Generally, our awning does not have serious requirement on the vehicles' model including but not limited to SUV, Pickup truck, and camping trailer. But for models with a trunk door that opens upwards, please make sure your rack is high enough to ensure that the awning does not conflict with the trunk lid when awning is opened.

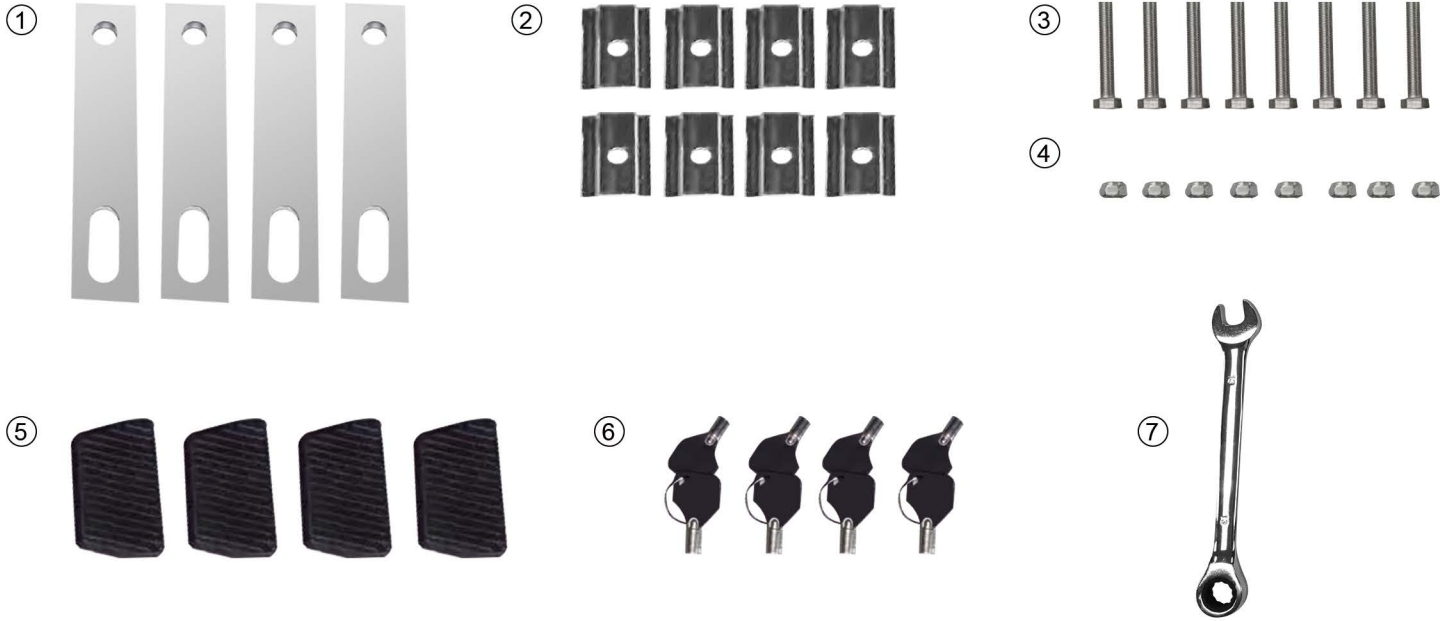
2. Please ensure that the side awning is installed correctly. Before assembling the awning, make sure the accessories are clean and complete, and avoid be with mud, sand, oil and other dirt.

3. Please tighten the wind ropes and ground nails when the wind blows. And keep the awning close when the wind is strong to avoid physical damage.

4. Please keep the awning in a cool, dry place. If it is damp when put away, please dry it promptly when you get home, to avoid mildew.

What are included in your package

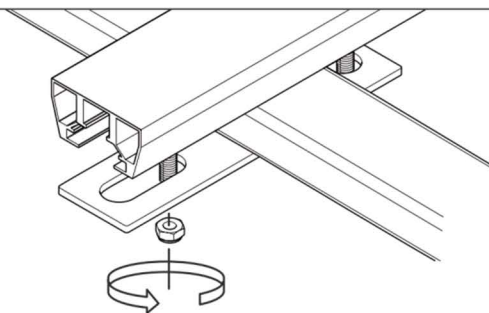
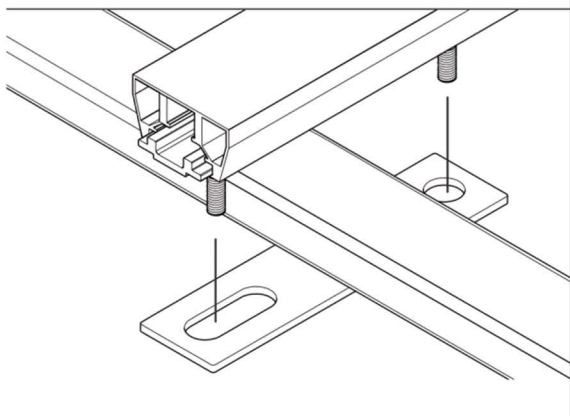
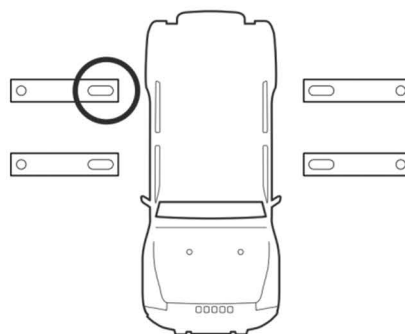
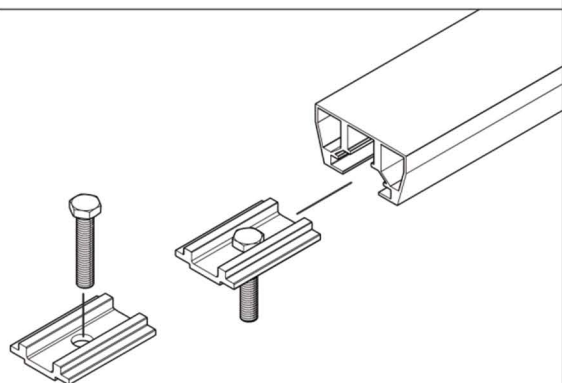
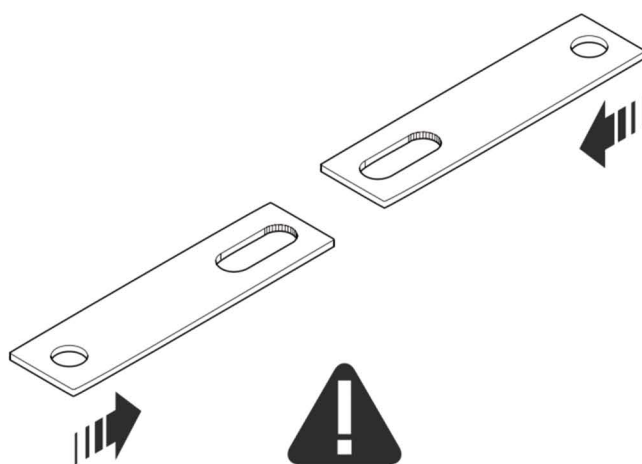
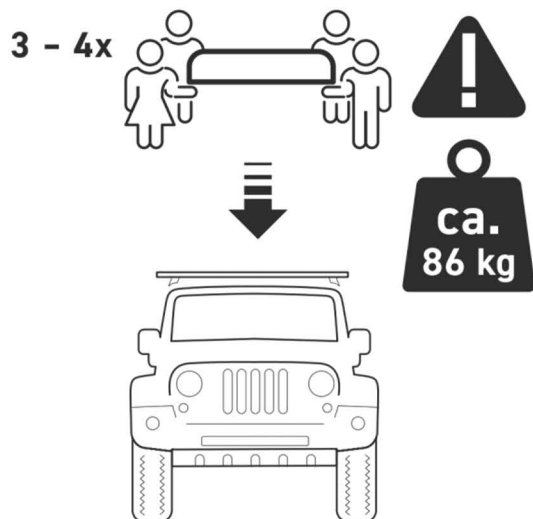
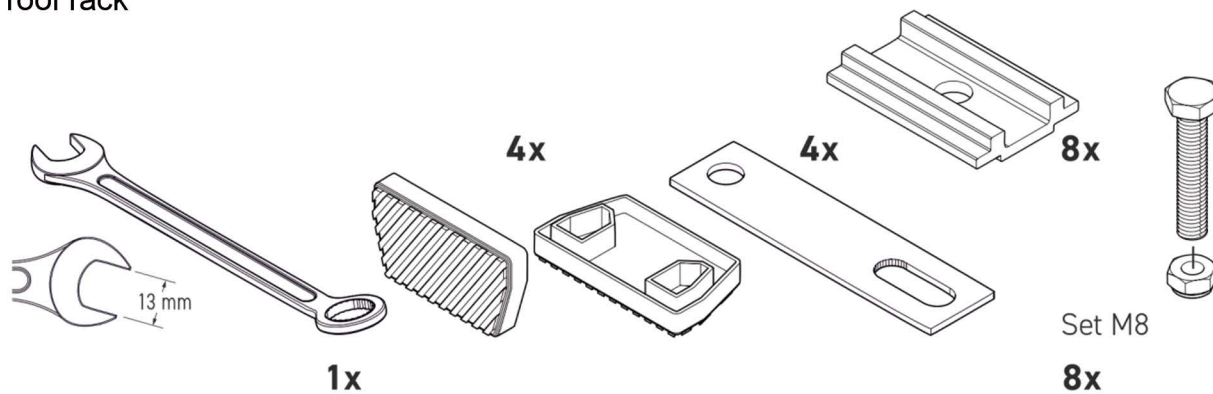
2. Mounting brackets * 3 & Mounting kits bag:



Accessories	Material	Dimension
① Steel mount plate * 4	Aluminium alloy	
② Aluminium slide plate * 8		
③ Screw * 8		
④ Nut * 8		
⑤ Plastic end caps * 4		
⑥ Key * 8		
⑦ Wrench * 1		

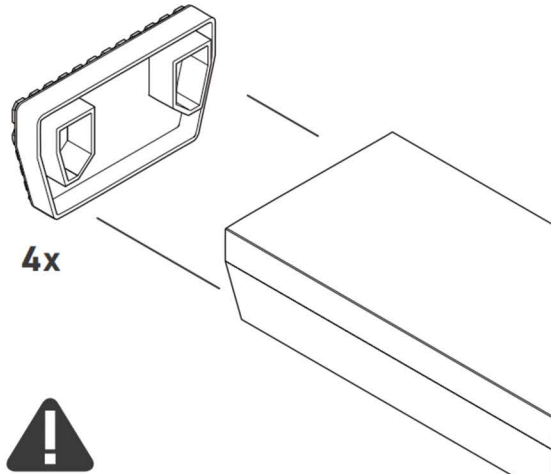
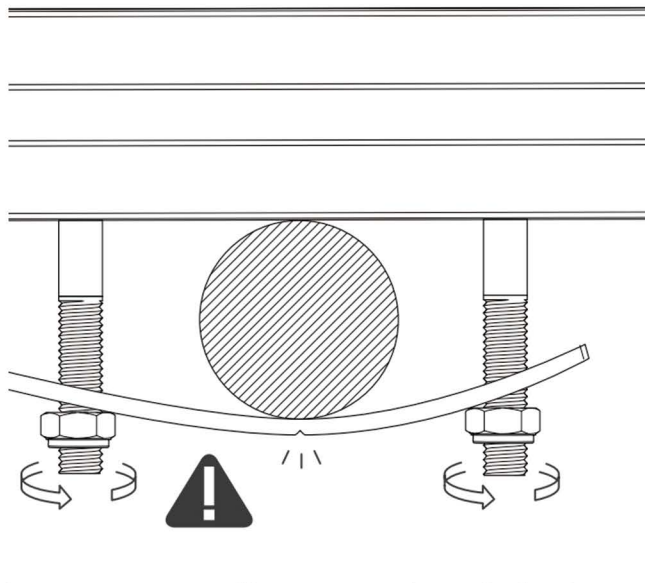
Assembly

tent on roof rack

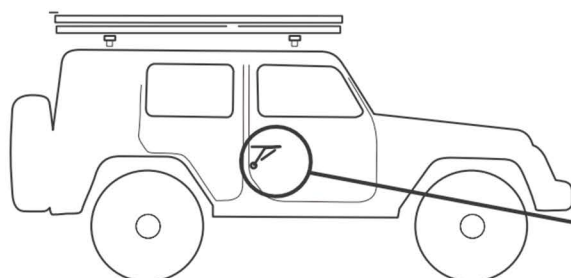
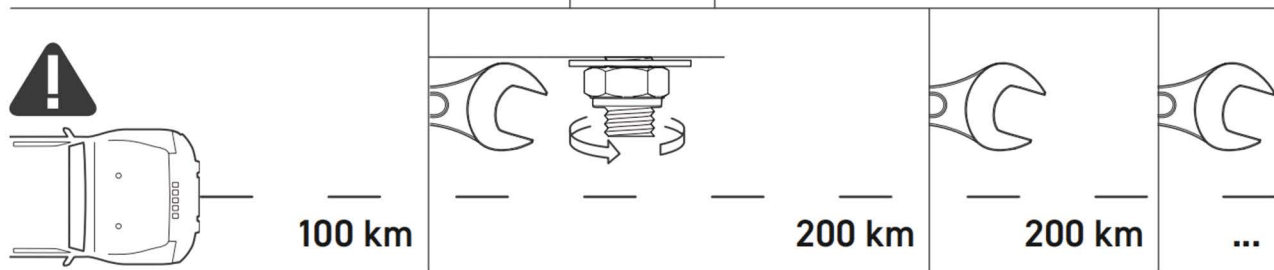
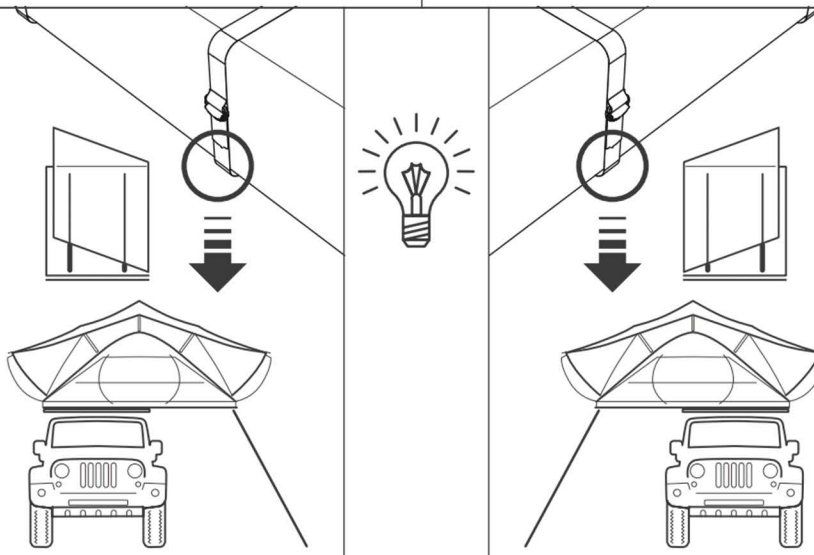


Roof tent assembly

on railing / roof rack

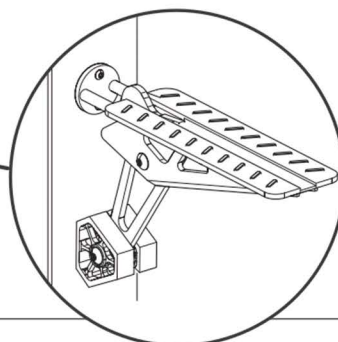


1.3



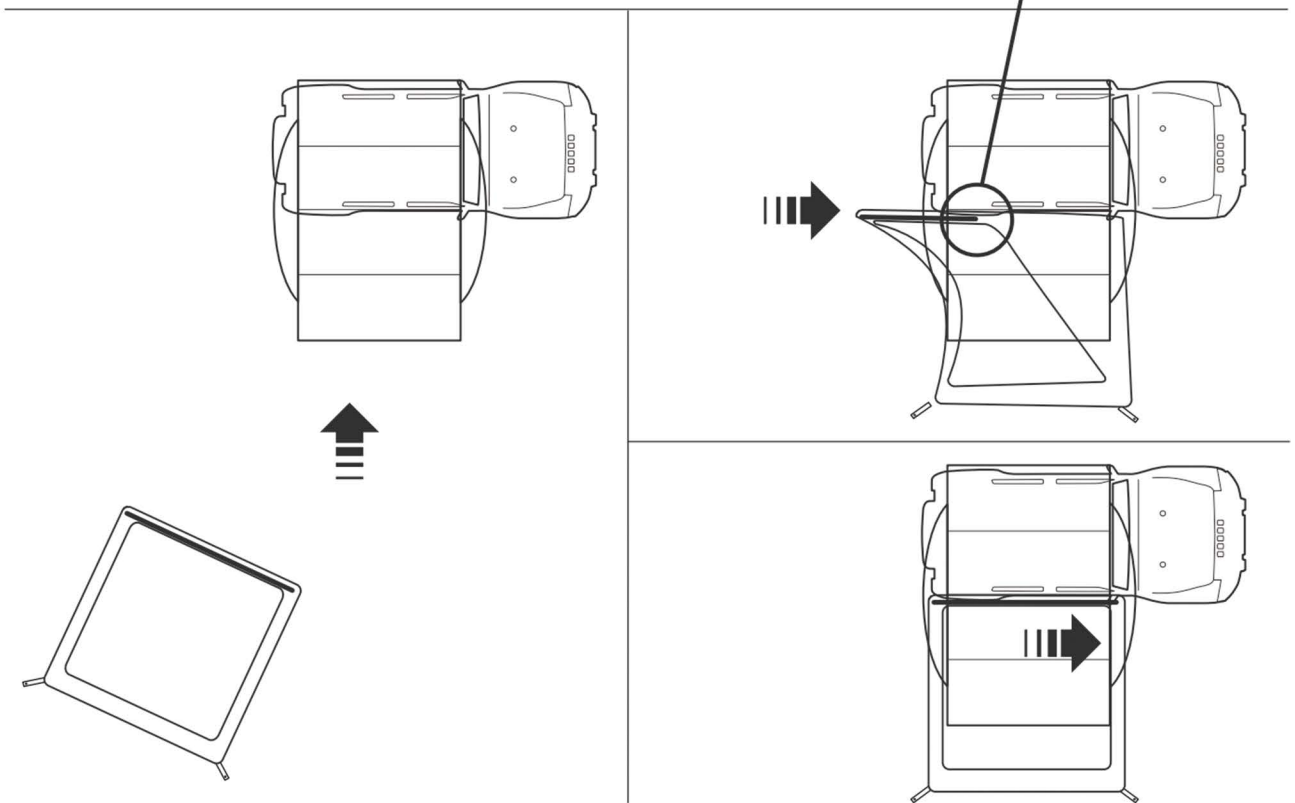
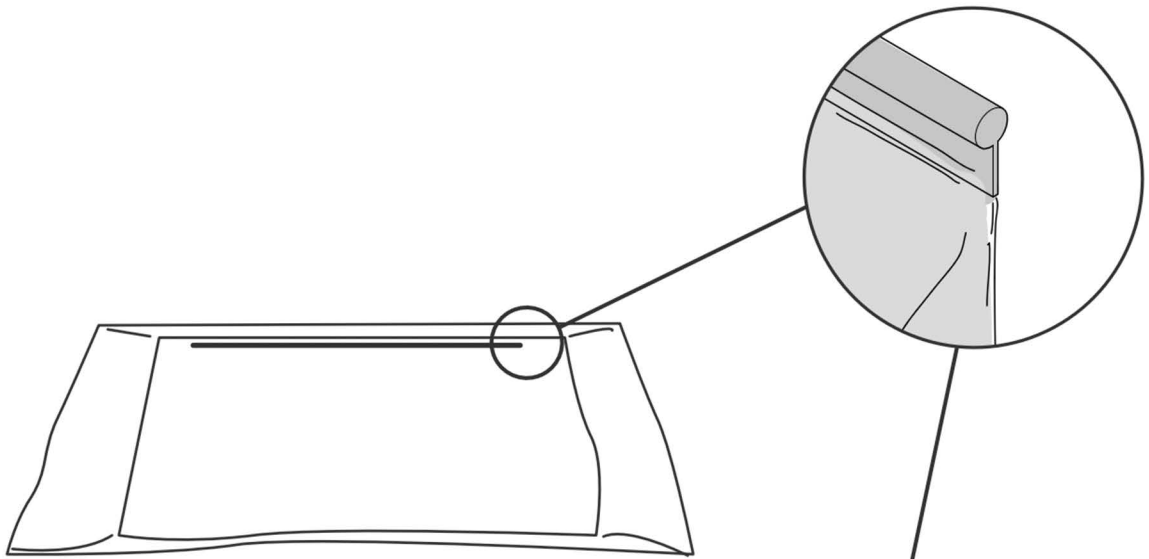
Useful accessories

Step, sold separately



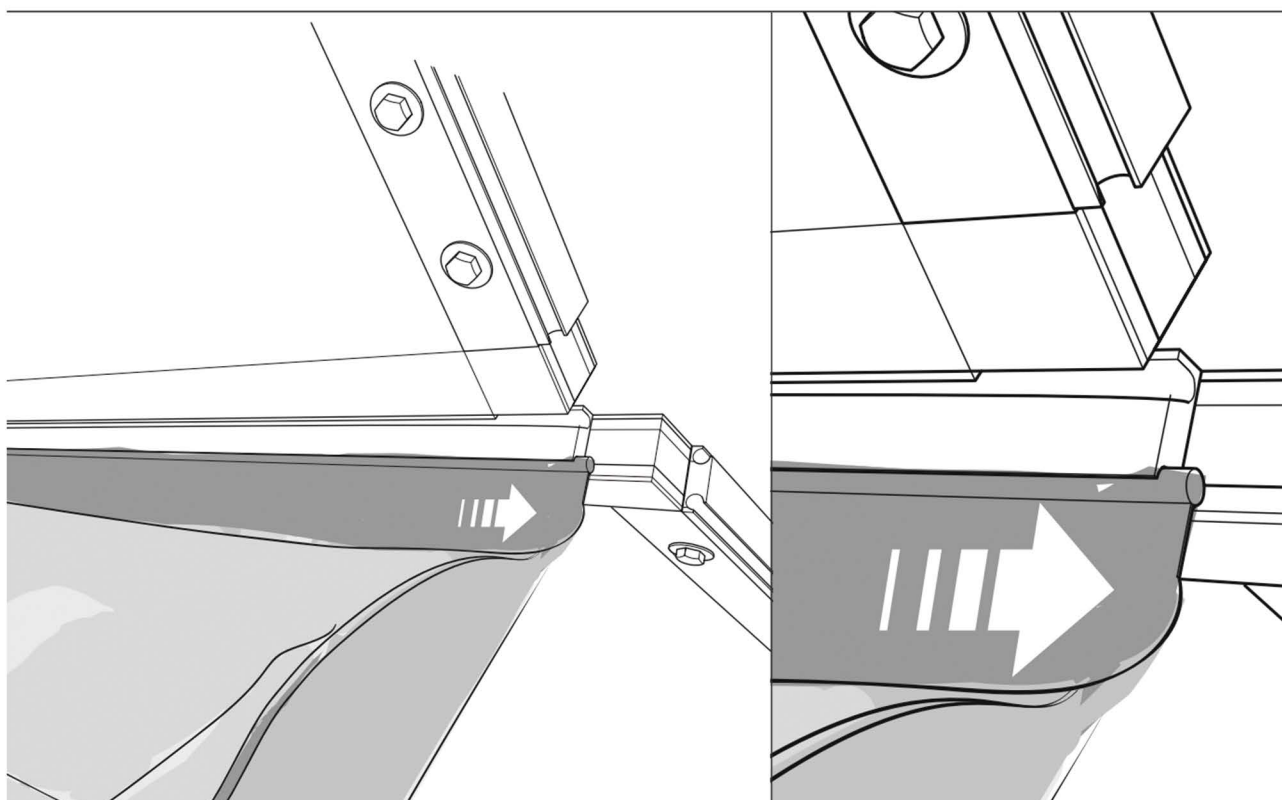
Spread out the awning

and thread the piping into the piping strip on the roof tent on the side of the vehicle and pull it through



Threading the piping

Thread into the piping strip on the roof tent on the vehicle side and pull through



Closing the three zippers

separately and one after the other, starting with the first from right to left.



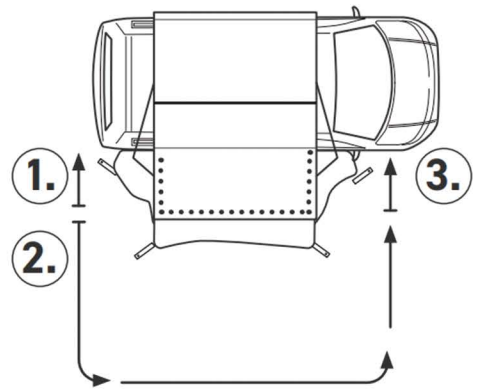
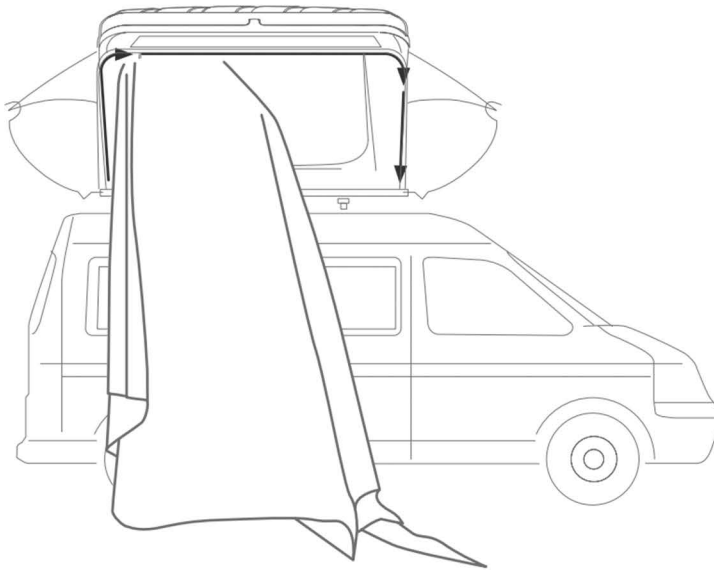
Threading at the same starting point

and then zip from left to right around the roof tent entrance.



Threading at the same starting point

and then from left to right, zipping around the roof tent entrance.

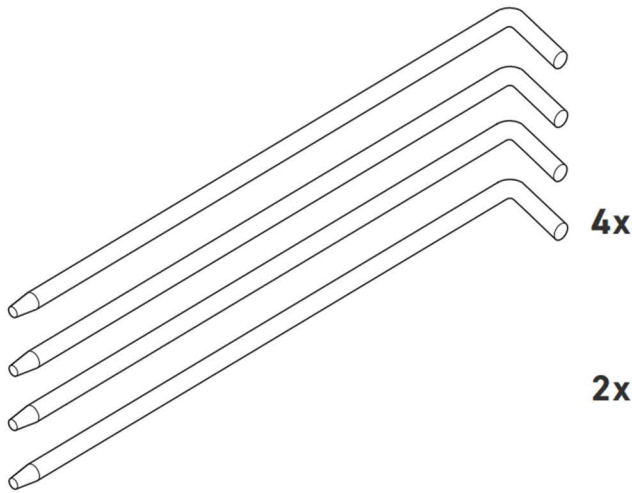


Third party

also slept with zipper.

Tension the awning

with tent cords and pegs.



It's best to have another person holding a telescopic rod while you attach another one, tensioning them.



2x



Warranty

For those damage caused by shipment, we are responsible to send the missing and faulty parts when customers claim. But please check at the first time after receiving the awning, and feedback at the first time after finding any damage.

We are obliged to send the replacement of faulty parts to customers for any product quality problems found during use. Please report the problem as soon as possible after discovering it and keep the awning properly to avoid unnecessary secondary damage.

Please note that when customer makes a claim, you are obligated to provide photos of the outer packing and photos of the damaged items as evidence.

We reserve the right to refuse compensation for losses caused by the reasons mentioned in the WARNING part.