



User manual
Gebrauchsanweisung
Gebruikshandleiding
Mode d'emploi
Manual de usuario
Manual de utilizador
Užívateľský manuál

FRAME POOL

12FTX30IN

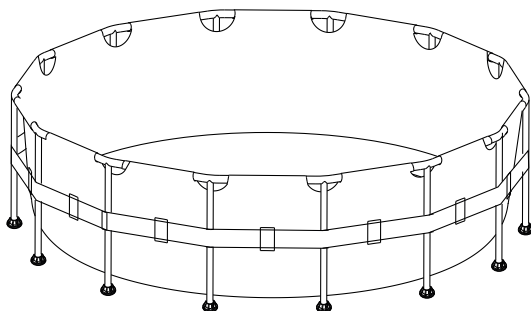
3.6M X 76CM

10FTX30IN

3M X 76CM

8FTX30IN

2.44 X 76CM



Important safety rules: Before installing and using this product read, understand, follow all instructions carefully and keep it for future reference!

Wichtige sicherheitsregeln: Bevor Sie dieses Produkt installieren und verwenden lesen, verstehen und beachten Sie sorgfältig alle anweisungen, und für künftige bezugnahme aufbewahren!

Belangrijke veiligheidsvoorschriften: Voor installatie en gebruik, zorg dat u alle instructies aandachtig leest, begrijpt, naleeft en bewaar dit document voor latere inzage.

Règles importantes de sécurité: Lisez, comprenez et suivez attentivement toutes les instructions avant d'installer et d'utiliser ce produit! Conserver pour consultation ultérieure!

¡Pare! ¡Lea, comprenda y siga toda las instrucciones atentamente antes de instalar y utilizar este producto!

Regras de segurança importantes: Antes de instalar e usar este produto, leia, compreenda, siga todas as instruções cuidadosamente e guarde-as para referência futura!

Důležitá bezpečnostní pravidla: Před instalací a používáním tohoto výrobku si pečlivě přečtěte všechny pokyny, porozumějte jim, dodržujte je a uschovejte si je pro budoucí použití!





Instructions 4

English 5

Deutsch 17

Nederlands 28

Français 39

Español 50

Português 62

Česky 74

NOTE: Drawing for illustration purpose only. Actual product may vary. Not to scale. Before assembling your pool, layout and review the contents to become familiar with all the parts you will be using during the assembly:

HINWEIS: Die Zeichnungen dienen nur der Illustration. Das tatsächliche Produkt könnte etwas anders aussehen. Nicht maßstabsgetreu. Bevor Sie Ihren Pool zusammenbauen, breiten Sie den angelieferten Inhalt aus und überprüfen Sie ihn, um sich mit allen Teilen, die Sie während der Montage benötigen, vertraut zu machen:

OPMERKING: de tekening is uitsluitend bedoeld voor illustratiedoeleinden. Het werkelijke product kan verschillen. Niet volgens schaal. Voordat u het zwembad monteert, moet u de inhoud openleggen en controleren zodat u de onderdelen die u bij de montage zult gebruiken, leert kennen:

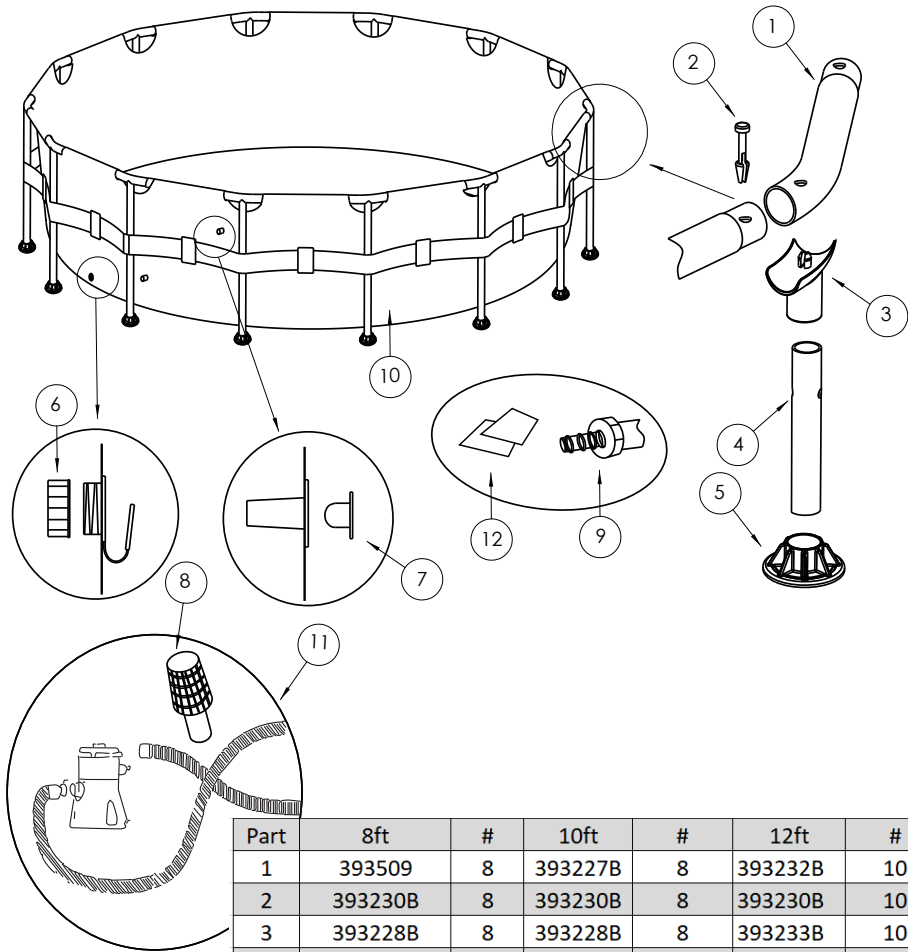
REMARQUE : Dessin à but d'illustration uniquement. Le produit réel peut varier. N'est pas à l'échelle. Avant de monter votre piscine, disposez et passez en revue le contenu pour vous familiariser avec toutes les pièces que vous utiliserez pendant le montage.

NOTA: Las imágenes son solamente de referencia. El producto real puede variar. Escala no real.

NOTA: Imagem apenas para ilustração. O produto atual pode variar. Não está à escala. Antes de montar a sua piscina, disponha e analise o conteúdo para se familiarizar com todas as peças que utilizará durante a montagem:

POZNÁMKA: Kresba je pouze ilustrační. Skutečný výrobek se může lišit. Není v měřítku. Před sestavením bazény si rozvrhněte a prohlédněte obsah, abyste se seznámili se všemi díly, které budete při montáži používat:

1.0 Part reference



Part	8ft	#	10ft	#	12ft	#
1	393509	8	393227B	8	393232B	10
2	393230B	8	393230B	8	393230B	10
3	393228B	8	393228B	8	393233B	10
4	393229B	8	393229B	8	393229B	10
5	393231B	8	393231B	8	393231B	10
6	290366	1	290366	1	290366	1
7	290311	2	290311	2	290311	2
8	290312	2	290312	2	290312	2
9	290364	1	290364	1	290364	1
10	30.94.08	1	30.94.10	1	30.94.12	1
11	pump set	1	pump set	1	pump set	1
12	repair set	1	repair set	1	repair set	1

3.0 Guidelines for safe use

Using your Frame Pool as instructed in this manual will eliminate virtually all hazards. However, please bear in mind that children have a natural urge to play and that this may lead to unforeseen dangerous situations for which the manufacturer cannot be held responsible. Teach your children how to use the product and point out possible dangers to them.

Before assembling and using the product, please read and observe these main warnings:



WARNING: To enhance the enjoyment of your pool and protect the safety of those in and around the pool, **ALWAYS STRICTLY OBSERVE** the following safety and maintenance instructions:

- 1). It is the responsibility of the pool owner to identify and obey all local and state laws pertaining to above ground swimming pool safety PRIOR to set-up or use of the pool. These include, but are not limited to, laws on: decks, fences, barriers, covers, pool ladders, lighting, and required safety equipment. Please consult your local authorities to ensure compliance.
- 2). Do not allow unattended Children in the pool. Always make sure that at least one responsible adult is supervising all Children and those who do not know how to swim AT ALL TIMES. Never swim / bathe in the pool alone.
- 3). NEVER permit diving or jumping into the pool. Never enter the pool from any decks or other raised surfaces. The water level in your pool is extremely shallow and is not suitable for these activities. Failure to heed these in-structions can result in serious injury or even death.
- 4). Do not permit Children or adults to engage in any "rough-housing" or other aggressive sports or activity in or around the pool. Failure to observe this guideline can result in serious injury for those in and around the pool area.
- 5). Always maintain the proper pool safety equipment in an easily accessible area adjacent to your pool. Clearly post emergency phone numbers as well as safety advisories and rules (such as "No Jumping or Diving" and "Do Not Swim Alone"). Do not allow bathers in the pool unless the area is sufficiently bright or lighted.
- 6) All filtrations are in agreement with the installation standard NF C 15-100 that all electric appliances located within 3.50 m for the pond and with a free access should have a low voltage supply of 12V. All electrical appliance supplied with 220V must be located at least at 3.50 meter from the edge of the pond. Consult the manufacturer for any change of one or several elements to the filtration system. (For France Market)

7). The safety of your children is up to you! The risk is greatest when children are younger than 5 years old. The accidents do not only happen to others! Be ready to face it!

8). Watch and act:

- Supervision of children must be close and constant;
- Designate one responsible for security;
- Strengthen monitoring when there are multiple users in the pool;
- Teach your children to swim as soon as possible;
- Wet neck, arms and legs before entering the water;
- Learn lifesaving, especially those specific to children;
- Forbid diving or jumping in front of young children;
- Forbid running and violent games around the pool;
- Do not allow access to the pool without a safety vest for a child not knowing how to swim and not accompanied in the water;
- Do not leave toys near unmonitored pool;
- Keep water clear and healthy;
- Store water treatment products out of reach of children;

9). Plan:

- Phone near the pool, do not leave your children unattended when you call;
- Buy and pole near the pool;

10). Moreover, some devices may contribute to security:

- Barrier whose portal will be constantly kept closed (e.g. a hedge cannot be regarded as a protective barrier);
- Manual or automatic cover properly positioned and secured protection;
- Electronic sensor to detect or drop in service and operational, but not a substitute for close supervision;

11). Accident:

- Remove the child from the water as quickly as possible;
- Call for help immediately and follow the advice that given to you;
- Replace wet clothes with warm blankets;

12) Store and view pool number of first aid:



- Fire: (18 for France); (112 Europe)
- EMS: (15 for France); (112 Europe)
- Poison Center; (112 Europe)



13). Prohibit access to the pool for the deterioration or the system(s) filter;



14). Do not submerge;

15). Do not walk on the edge;

16). Warning: Never put the empty swimming pool in the open air.

PREVENT DROWNING 	 WARNING
Closely watch children who are <i>in or near</i> this pool. Children under 5 are at highest risk for drowning.	

Stay away from drains & suction fittings 	 WARNING
Your hair, body & jewelry can get sucked into drain. You could be held under water & drown!	

NO DIVING! 	 WARNING
You can break your neck and be paralyzed!	

4.0 Site selection

WARNING: Pools installed on inadequately level surfaces are subject to leaking, forming irregularities, or collapse, which can result in property damage or serious injury for those in or around the pool area!

WARNING: Do not use sand during setup process. If it appears that there is a need for use of a “leveling agent”, then your set-up site is likely unsuitable. **FAILURE TO OBEY THIS WARNING MAY RESULT IN SERIOUS PERSONAL INJURY.**

CAUTION: Please choose your set-up area carefully, as lawn and other desirable vegetation underneath the ground cloth (If applicable) will die. Furthermore, try to avoid setting the ground cloth (If applicable) in areas prone to aggressive plant and weed species, as they may grow through the ground cloth (If applicable).

CAUTION: The pool must be accessible to a 110 or 230-volt AC outlet protected by a Ground Fault Circuit Interrupter (GFCI). The pool should be set no closer than 10 ft. to the power source, but no further than the length of the filter pump cord. Under no circumstances should an extension cord be used to extend the range of the connection.

It is absolutely essential to select a suitable site for your pool BEFORE attempting to fill it with any water. Please select a set-up site which strictly conforms to the following guidelines:

Guide 1. Ensure that the area is firm, flat (no bumps or mounds of earth) and extremely level, with a grade not exceeding 3° of slope at any point in the set-up area.

Guide 2. Make sure that the area you have selected to set-up the pool is completely free of sticks, stones, sharp objects or other foreign debris.

Guide 3. Select an area that is not directly underneath overhead power lines or trees. Additionally, make sure that the pool set-up area does not contain underground utility pipes, lines, or cables or any kind.

Guide 4. A ground cloth will help protect the pool liner from damage due to weed growth, sharp objects, and debris.

Guide 5. If at all possible, choose an open location on your property that is exposed to direct sunlight. This will help to warm your pool.

Flat, Level Ground-CORRECT

Bumpy, Sloping Ground-INCORRECT



5.0 Set up the pool

IMPORTANT: Do not start assembly if any pieces are missing. For replacement pieces call the Consumer Service telephone number in your area.

The number of persons required for installation: 2 adult at least.

Total installation time except the time for site preparation and water filling:

30 up to 45 minutes.

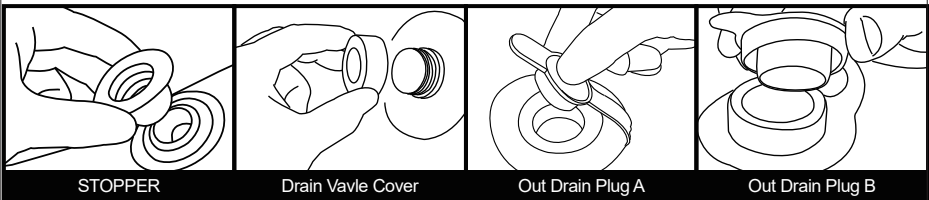
Step 1. Account for all parts.

Remove all the parts from the carton(s) and place them on the ground in the location where they are to be assembled

Check each part according to "PART REFERENCE" 1.0. Make sure all the pieces to be assembled are accounted for.

Step 2. Install drain valves cover and stopper.

Make sure that outer drain plug is inserted into the outer drain cap and drain valve cover is screwed on tightly. Plug the connection holes with the stoppers. (The out drain plug changes according to different size of pool.)



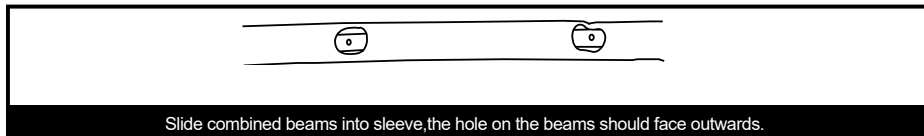
STOPPER

Drain Valve Cover

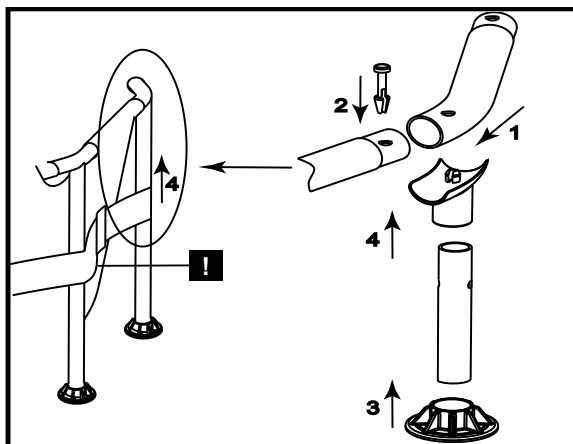
Out Drain Plug A

Out Drain Plug B

Step 3. Install the horizontal beams



Step 4. Install T-joints and frame



4.1. Use the connection end of the T-Joint to connect the adjacent horizontal tubes.

4.2. Insert the Pin into the hole of connected tubes

4.3. Install the vertical leg cap onto the vertical leg.

4.4. Insert the vertical leg into the T-Joint through the belt.

Step 5. Fill the pool

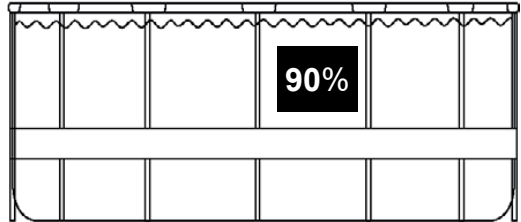
WARNING: Do not leave pool unattended while filling with water.

WARNING: If more than 1~2 inches of water collects on any one side before you start filling in the center. The pool is not level enough, and must be corrected! You shall pull out the drain plug, release the water completely, disassemble the pool completely, locate the pool on a plane surface, repeat set up instruction.

WARNING: DO NOT OVERFILL as this could cause the pool to collapse. In times of heavy rainfall you may need to empty some of the water to ensure the level is correct.

5.1. Make sure the drain fitting is plugged securely and the cap is in place. Start filling the pool with water. After about 1-inch of water is on the bottom, stop filling and smooth wrinkles out of the bottom of the pool. Pull the outer wall out from the top edge, all around the bottom of the pool, so that it fills evenly.

5.2. Continue filling the pool until water level .



6.0 Disassembly and storage

WARNING: Do not let your children stand at downfold and face the water outlet during the drainage. The water current may sweep your children.

WARNING: Pool should be stored at places where it is cool and dry, with no sharp object surrounded, or no heavy objects lying above, which may cause damage to the pool.

Step 1. If you have a filter pump, make sure that the electricity source to the filter pump has been disconnected.

Step 2. Check to ensure that the out drain plug is firmly inserted on the inside of the pool.

Step 3. Attach your garden hose to the drainage valve connector, and placing the other end of the hose in an area where the water can drain safely, such as a storm drain or street gutter. Remember that because water always finds its own level, the end of the hose must be lower in elevation than the pool to ensure complete drainage.

Step 4. If you have a filter pump, insert the stopper into the inlet and outlet fixtures, on inside of pool, and then disconnect the filter pump hoses.

Step 5. Attach the drainage valve connector to the drain outlet by turning connector in a clockwise direction.

Step 6. Open the out drain plug on the inside of the pool and the water will begin to drain immediately.

Step 7. Disconnect the hose and drainage valve connector when finished.

Step 8. Replace the out drain plug on the inside of the pool.

Step 9. Be sure that the pool liner is completely dry before folding the pool for long-term storage. Leaving the pool exposed to sunlight for a few hours will clean and speed the drying process and make it easier to fold the pool for storage. (Never attempt to fold or stow a pool that is not completely dry as this could lead to a

proliferation of mold or mildew build-up during the time the pool is in storage.)

Step 10. Remember, proper off-season storage is critical to protect your investment in your pool.(espeically in winter) Once drained and dry, your pool should be carefully folded and wrapped in a ground cloth (if available) or other similar protective tarp-like material. The pool and all applicable accessories such as the pump, cover, ground cloth, ladder, hoses, clamps, and hardware should be kept together and stored indoors, in a reasonably warm, dry and weatherproof location.

6.1 Folding instruction

Before folding, it's better to dry all parts and pool completely by lying them in the sun for one hour or so.(PIC.1). And then, spread some talcum powder to prevent the vinyl from sticking together.

Step 1. Please fold the protrusion sides inside to gain rectangle shape. (PIC.2).

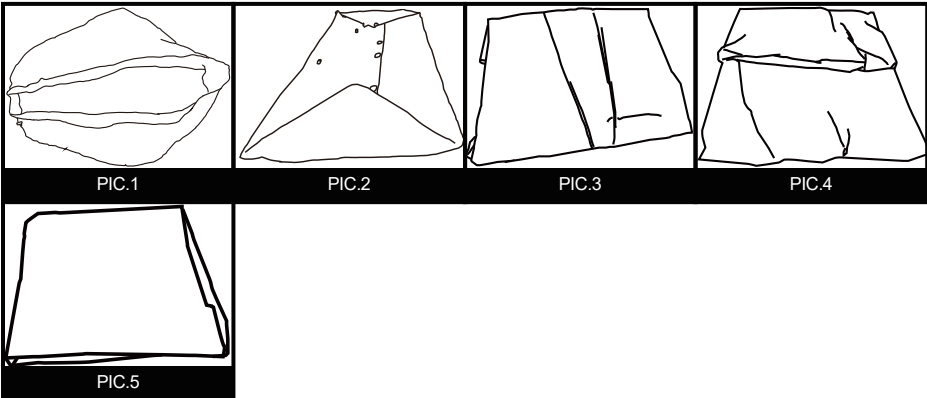
Step 2. Fold each half of the rectangle to gain a smaller rectangle shape. (PIC.3).

Step 3. Fold each ends backwards. (PIC.4).

Step 4. Fold the rest ends together to create an ultimate rectangle one. (PIC.5).

TIPS 1. Please remove air inside to make the folded pool thin and flat during each folding.

TIPS 2. The original packing can be used for storage.



7.0 In-season pool maintenance and care

WARNING: If applicable, the filter pump included with your pool is designed to remove dirt and other small particles from your pool water. However, to maintain pool water that is perfectly clear, algae free, and safe from harmful bacteria, it is VERY IMPORTANT TO ENGAGE IN A CONSISTENT REGIMEN OF CHEMICAL TREATMENT. Contact your local pool supply retailer for guidance on the safe and effective use of chlorine, shock, algaecide and other such chemicals.

WARNING: To avoid skin and eye irritation or even injury to bathers, never add chemicals to the pool while it is occupied. Never add any chemicals or substances to your pool if you cannot verify the exact quantity or type to add to the water. Consult a pool supply retailer for specific instructions and guidelines concerning the use of chemicals in your pool.

WARNING: It is highly recommended that pool owners frequently test their pool water to ensure that the pH and chlorine concentration in the water is optimal for safe and enjoyable bathing throughout the season. Please consult your pool supply retailer to find a suitable testing kit and instructions on its use.

WARNING: Non-respect of the maintenance rules may result in serious hazards for health and especially for the children.

This product is designed to be storable, seasonal pools. If you live in a temperate area in which the pool will not be in use year-round, it is STRONGLY RECOMMENDED that you drain your pool, clean and dry it thoroughly, and store it in a protected area for the off-season. This will help extend the life of your pool and prevent a safety hazard from developing while the pool is not in use. During the season of use of the pool kit, the filtration system (if applicable) must be put into service each day, long enough to ensure at least a complete renewal of the volume of water.

In order to keep your pool water clean and hygienic all season long please closely adheres to the following guidelines:

1. The proper and consistent use of basic pool chemicals are required to maintain the proper pH balance in your pool water. Furthermore, the application of chemicals will help prevent the growth of harmful bacteria or algae in your pool, and assist your filter-pump in keeping your water crystal clear. Chemical that your pool may require include but are not limited to:

1) Tabular, Granular, or Liquid Chlorine: Disinfects pool water and inhibits algae growth.

2) PH Adjusting Chemicals: These are used to correct PH level and make water more or less acidic.

3) Algaecides: These chemicals are formulated to remove algae.

4) "Shock" (Super chlorinator): Eliminates certain organic and other combination compounds that can affect water clarity.

In order to obtain specific details on the use of chemicals, please consult a local pool supply retailer and provide them with the volume of water in your specific pool, and if desired, a sample of your pool water. This will enable them to properly instruct you on: 1) which chemicals to purchase, 2) what quantities of chemicals to purchase, and 3) how to use specific chemicals safely and effectively.

2. Never let chlorine come into direct contact with the pool liner until it has completely dissolved. This means that granular or tabulated chlorine is first dissolved in a bucket of water before applying to pool water, and likewise, liquid chlorine is slowly and evenly poured into pool water from various locations around perimeter of pool.

DANGER: NEVER add water to chemicals. INSTEAD, always add chemicals to water. Also, never mix separate chemicals together, rather, add chemicals to the pool separately and allow them to circulate throughout the pool before adding additional types of chemicals.

3. We recommend that you purchase a test kit, and frequently test your pool water to make sure that your PH balance and chlorine levels are optimal. Your local pool supply retailer can provide information on purchasing and using a test kit that is most suitable for your needs. NOTE: Excessive chlorine levels or low (acidic) pH levels can damage your pool liner, so please take corrective action as soon as possible if testing reveals either condition.

The tasks of removing larger debris from your pool and keeping the inside of the pool liner clean are simplified by using a take corrective action as soon as possible if testing reveals either condition. included as a bonus feature in larger pool systems, and can also be purchased separately as an accessory. Please contact your local after sale service center if you want to get advice on any repair during the life of the pool kit.

4. If applicable, check your filter-pump cartridge every two weeks (or more frequently during periods of heavy usage) to verify whether it needs to be cleaned or replaced. If your cartridge is no longer white in color, attempt to spray it clean with a strong blast of water from your garden hose. If your cartridge cannot be cleaned in this manner, the cartridge must be replaced. Failure to frequently clean and/or replace your cartridges will affect the effectiveness of your filter pump and could shorten its useful life.

5. If your pool system included a cover, try to keep your pool covered at all times when not in use. This will help keep the wind and other elements from depositing dirt and debris in your pool, and will also prevent excess rainwater from overflowing your pool.

6. Remind your family and friends to always hose or rinse off any dirt or tanning oil from their hands, feet, and body prior to entering the pool.

7. It's necessary to monitor the bolts and hardware of the pool (eg. rust stain) when possible.

8. Once your pool has been filled with water for th season, take note if your pool becomes overfilled due to rainwater or accidental overfill. If this should occur, it is important to drain or bale out the excess water as soon as possible. If it is an inflatable ring pool, the water level should never be higher than the bottom edge of the inflatable ring.

8.0 Trouble shooting

PROBLEM	DESCRIPTION	CAUSE	REMEDY
COLORED WATER	<ul style="list-style-type: none"> Water turns blue, brown, or black when first treated with chlorine. 	<ul style="list-style-type: none"> The chlorine is oxidizing minerals in your water. This commonly occurs with water from different sources. 	<ul style="list-style-type: none"> Adjust pH to recommended level. Run filter until water is clear. Regularly clean cartridge.
PARTICALS SUSPENDED IN WATER	<ul style="list-style-type: none"> Water looks "milky" or cloudy. 	<ul style="list-style-type: none"> "Hard Water" caused by an elevated pH. Chlorination is inadequate. Foreign debris in water. Bathers are not cleaning their feet prior to entering pool. 	<ul style="list-style-type: none"> Adjust pH. Check with a swimming pool supply retailer for correct water treatment. Ensure proper chlorine level. Clean or replace your filter. Spray off dirt with a high-pressure hose before entry.
PERSISTENT LOW WATER LEVEL	<ul style="list-style-type: none"> Pool appears to be losing water on a daily basis. 	<ul style="list-style-type: none"> Tear or hole in pool liner. Tear or hole in a filter pump hose. Hose clamps are too loose. Evaporation from high summer temperatures. 	<ul style="list-style-type: none"> Locate damage and repair with the included patch kit. Repair or replace hoses. Tighten all hose clamps. Keep pool covered when not in use.
ALGAE	<ul style="list-style-type: none"> Water has greenish tint. Green, brown or black spots appear on pool liner. Pool bottom is slippery and/or an unpleasant odor is present. 	<ul style="list-style-type: none"> Algae is present. 	<ul style="list-style-type: none"> Apply "shock" treatment (super-chlorinator). Check pH and adjust to an appropriate level per your local pool supply retailer. Vacuum or lightly scrub pool liner. Test water often to maintain proper chlorine levels.
POOL WATER IS COOL	<ul style="list-style-type: none"> Water is not warming to a comfortable swimming temperature. 	<ul style="list-style-type: none"> Pool was set up in an excessively shady or tree lined area. Heat is escaping from pool water. 	<ul style="list-style-type: none"> Relocate pool to a more open location where it can get maximum exposure to sunlight during peak daylight hours. Keep your pool covered whenever it is not in use.

9.0 Limited warranty

We warrant all components contained in this Pool Set (excluding the filter pump unit) against defects in materials and workmanship under normal use and service, for a period of 90days from the date of purchase for the original owner only.

If any of the components have been consumer-replaced, damaged, or misused, the corresponding warranty on those components is invalidated. In this situation, you will be advised of the cost of replacement parts and processing instructions.

If a verifiable manufacturing defect is found during the relevant time period, we agree to replace at its option any product under warranty provided proper proof of purchase is presented.

This limited warranty is not valid if the product is used for commercial purposes, or if the damage is caused by an accident, consumer misuse, neglect or abuse, vandalism, improper use of chemicals, exposure to extreme weather conditions or negligence during product set up or disassembly.

We cannot be held responsible for the cost of installation, labor, or transportation expenses incurred due to the replacement of defective parts. This limited warranty, furthermore, does not cover any unauthorized alterations to the product.

2.0 Einführung

Glückwunsch zur Wahl des EXIT Toys Frame Pool!

Amüsier dich, sei aktiv und spiele im Freien!

Für diesen Spaß entwickeln wir innovative und hochwertige Spielzeuge für coole Kids.

Wir tun alles in unserer Macht stehende, um sichere Produkte für Kinder zu entwickeln. Da unsere Produkte als Spielzeuge klassifiziert werden, erfüllen wir die strengsten Sicherheitsvorschriften. Bevor unsere Produkte auf dem Markt kommen, veranlassen wir die Durchführung von unabhängigen Prüfungen zur Zertifizierung. Außerdem kontrollieren wir selbst ständig unsere Produktionsabläufe und lassen diese als weitere Kontrolle regelmäßig durch unabhängige Stellen überprüfen. Nur Produkte, die den höchsten EXIT Toys Standards gerecht werden, werden mit dem EXIT Toys label gekennzeichnet.

Wir danken Ihnen für Ihr Vertrauen in dieses Produkt. Und wir sind sicher, dass Ihre Kinder genau viel Spaß haben werden wie wir ihn während der Entwicklung hatten. Da wir aufgeschlossen sind, schätzen wir wirklich all Ihre Kommentare und Ideen, die uns bei der Verbesserung unserer Produkte bzw. bei der Entwicklung neuer Spielzeuge helfen. Sie sind herzlich eingeladen, uns Ihre Ideen unter info@exittoys.com zu senden.

Besuchen Sie www.exittoys.com und entdecken Sie weitere tolle neue Produkte.

Das EXIT Toys Team

3.0 Sicherheitsanweisungen



Achten Sie darauf, vor Installation und Benutzung des Pools alle Informationen in dieser Bedienungsanleitung sorgfältig zu lesen, zu verstehen und zu befolgen. Diese Warnungen, Anweisungen und Sicherheitsrichtlinien beziehen sich auf einige allgemeine Gefahren in Verbindung mit wasserbasierten Freizeitaktivitäten, sie können jedoch nicht sämtliche Gefahren und Risiken abdecken. Seien Sie immer entsprechend vorsichtig, vertrauen Sie auf Ihren natürlichen Menschenverstand.

Sicherheit von Nichtschwimmern

- 1) Anfänger und Nichtschwimmer sollten kontinuierlich, aktiv und wachsam von einem kompetenten Erwachsenen beaufsichtigt werden (denken Sie daran, dass bei Kindern unter fünf Jahren die größte Gefahr des Ertrinkens besteht);
- 2) Bestimmen Sie einen kompetenten Erwachsenen zur Überwachung des Pools bei jeder Benutzung;
- 3) Anfänger und Nichtschwimmer sollten bei Benutzung des Pools Schwimmhilfen tragen;
- 4) Wenn der Pool nicht benutzt oder nicht beaufsichtigt wird, entfernen Sie alle Spielzeuge aus und rund um den Pool, damit sich Kinder nicht zu nah am Pool aufhalten.

Sicherheitsvorrichtungen

- 1) Sie sollten eine Barriere installieren (und alle Türen und Fenstern sichern, sofern zutreffend), damit niemand unautorisiert in den Pool steigt;
- 2) Barrieren, Poolabdeckungen, Poolalarme oder ähnliche Sicherheitsvorrichtungen sind praktische Hilfen, ersetzen jedoch keine kontinuierliche und kompetente Beaufsichtigung durch einen Erwachsenen.

Sicherheitsausrüstung

- 1) Sie sollten Rettungs-ausrüstung (z. B. Rettungsring) in der Nähe des Pools aufbewahren;
- 2) Bewahren Sie ein funktionierendes Telefon und eine Liste mit Notrufnummern in der Nähe des Pools auf.

Sichere Benutzung des Pools

- 1) Ermutigen Sie alle Nutzer, insbesondere Kinder, schwimmen zu lernen;
- 2) Erlernen Sie grundlegende lebensrettende Sofortmaßnahmen (Herz-Lungen-Wiederbelebung) und frischen Sie dieses Wissen

regelmäßig auf. Dies kann bei einem Notfall Leben retten;

3) Weisen Sie alle Poolbenutzer, einschließlich Kindern, an, was bei einem Notfall zu tun ist;

4) Springen Sie niemals kopfüber in flaches Wasser. Andernfalls drohen ernsthafte oder sogar lebensgefährliche Verletzungen;

5) Verwenden Sie den Pool nicht, wenn Alkohol oder Medikamente Ihre Fähigkeit zur sicheren Benutzung des Pools beeinträchtigen; Achten Sie darauf, vor Installation und Benutzung des Pools alle Informationen in dieser Bedienungsanleitung sorgfältig zu lesen, zu verstehen und zu befolgen. Diese Warnungen, Anweisungen und Sicherheitsrichtlinien beziehen sich auf einige allgemeine Gefahren in Verbindung mit wasserbasierten Freizeitaktivitäten, sie können jedoch nicht sämtliche Gefahren und Risiken abdecken. Seien Sie immer entsprechend vorsichtig, vertrauen Sie auf Ihren natürlichen Menschenverstand. Bewahren Sie diese Hinweise auf, damit Sie später darin nachlesen können.

6) Wenn Poolabdeckungen genutzt werden, entfernen Sie sie vor dem Einsteigen in den Pool von der Wasseroberfläche;

7) Schützen Sie Poolbenutzer von wasserrelevanten Krankheiten, indem Sie das Poolwasser behandeln und auf gute Hygiene achten. Beachten Sie die Richtlinien zur Wasserbehandlung in der Bedienungsanleitung;

8) Halten Sie Chemikalien (bspw. Produkte zur Wasserbehandlung, Reinigung oder Desinfektion) von Kindern fern.

9) Nutzen Sie die Schilder wie unten gezeigt;

10) Abnehmbare Leitern sollten auf einer horizontalen Fläche angebracht werden.

11) Warnung: Ein abgelassener Pool im Freien kann unvorhersagbare Gefahren verursachen.

WARNUNG: Installation und Montage dürfen nur von Erwachsenen durchgeführt werden.

WARNUNG: Lesen und befolgen Sie zur Gewährleistung einer sicheren Verwendung des Poolsets die Anweisungen zur Nutzung und Wartung. Bei Nichtbeachtung der Anweisungen zur Nutzung und Wartung können ernsthafte gesundheitliche Risiken – insbesondere für Kinder – entstehen.


WARNUNG: Nur für den privaten Einsatz im Freien vorgesehen.


WARNUNG: Gefahr des Ertrinkens. Kinder könnten in mobile Pools ertrinken.


WARNUNG: Sie sollten durch Installation einer Barriere unautorisierten Zugang zum Pool verhindern.

WARNUNG: Kinder im Pool und dessen Umfeld sollten kontinuierlich beaufsichtigt werden.

WARNUNG: Nicht tauchen.

<p>ERTRINKEN VERMEIDEN</p> 	<p style="text-align: center;">⚠️ WARNUNG</p> <p>Überwachen Sie sorgfältig Kinder, die in oder in der Nähe dieses Pools sind. Kinder unter 5 Jahren sind am meisten gefährdet zu ertrinken.</p>
---	--

<p>Abstand zu Abflussröhren und Sauganschlüssen einhalten</p> 	<p style="text-align: center;">⚠️ WARNUNG</p> <p>Ihre Haare, Körper und Schmuckstücke können in den Abfluss gesaugt werden. Sie können unter Wasser gehalten werden und ertrinken.</p>
--	---

<p>TAUCHEN VERBOTEN!</p> 	<p style="text-align: center;">⚠️ WARNUNG</p> <p>Sie können sich den Hals brechen und gelähmt werden.</p>
---	--

4.0 Aufstellungsort

WARNUNG: Pools, die auf unebenen Oberflächen aufgestellt werden, neigen zu Undichtigkeiten, Verformungen oder Zusammensturz, gefolgt von Sachbeschädigung oder schwerer Körperteilung derjenigen, die sich im oder um den Pool herum aufhalten!

WARNUNG: Verwenden Sie für die Aufstellung keinen Sand. Sollte die Verwendung eines „Mittels zur Einebnung“ erforderlich werden, dann ist Ihr Aufstellungsort sehr wahrscheinlich ungeeignet. NICHTBEACHTUNG DIESER WARNUNG KANN SCHWERE KÖRPERVERLETZUNGEN ZUR FOLGE HABEN.

ACHTUNG: Wählen Sie Ihren Aufstellungsort sorgfältig aus, denn Rasen und anderer wünschenswerter Pflanzenwuchs wird unterhalb der Bodenplane (sofern vorhanden) absterben. Achten Sie zudem auch darauf, die Bodenplane (sofern vorhanden) nicht auf Bereiche zu legen, in denen häufig kraftvolle Pflanzen- und Unkrautarten sprießen, denn sie könnten sich durch die Bodenplane (sofern vorhanden) bohren.

ACHTUNG: Der Pool muss für einen 110- oder 230-Volt-Netzstromanschluss erreichbar sein, der mit einem Fehlerstromschutzschalters (FI-Schalter) geschützt ist. Der Pool muss in einem Mindestabstand von 3 Metern (10 Fuß) zur Stromquelle aufgestellt werden, aber nicht weiter als die Länge der Filterpumpenleitung. Unter keinen Umständen darf eine Verlängerungsschnur verwendet werden, um den Anschlussbereich zu verlängern.

Das wichtigste ist die Wahl eines geeigneten Aufstellungsortes für Ihren Pool, BEVOR Sie es mit Wasser befüllen. Wählen Sie einen Aufstellungsort, der den folgenden Richtlinien sehr genau entspricht:

Anleitung 1. Überzeugen Sie sich davon, dass der gewählte Ort fest, flach (keine Höcker oder Erdhügel) und extrem eben ist, wobei eine Neigung von mehr als 3 ° an keiner Stelle am Aufstellungsort überschritten werden darf.

Anleitung 2. Vergewissern Sie sich, dass der gewählte Aufstellungsort für den Pool komplett frei von Ästen, Steinen, scharfkantigen Gegenständen oder anderen Fremdoobjekten ist.

Anleitung 3. Wählen Sie einen Ort, der nicht direkt unterhalb von Stromleitungen oder Bäumen liegt. Achten Sie zudem darauf, dass sich im Untergrund des Aufstellungsortes für den Pool keinerlei Rohrleitungen, Zuleitungen oder Kabel befinden.

Anleitung 4. Eine Bodenplane hat den Zweck, die Poolverkleidung vor Beschädigungen aufgrund von Unkrautwuchs, scharfkantigen Gegenständen und Kleinteilen zu schützen.

Anleitung 5. Sofern möglich, wählen Sie eine offene Stelle auf Ihrem Grundstück, die direkt von der Sonne bestrahlt wird. Dadurch wird Ihr Pool aufgewärmt.

Flacher, ebener Boden-**RICHTIG**

Hügeliger, schräger Boden-**FALSCH**



5.0 Aufstellen des Pools

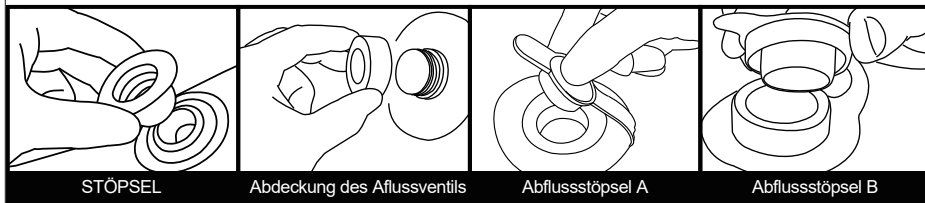
WICHTIG: Beginnen Sie nicht mit der Montage, wenn Teile fehlen sollten. Rufen Sie den Kundendienst Ihrer Region an, wenn Sie Ersatzteile benötigen. Die für die Installation benötigte Anzahl an Personen: Mindestens 2 Erwachsene. Die Installationszeit, abgesehen von der Zeit zur Vorbereitung des Aufstellungsortes und zum Befüllen mit Wasser: 30 ~ 45 Minuten

Schritt 1. Überprüfen Sie das Vorhandensein aller Teile..

Nehmen Sie alle Teile aus ihren Kartons und legen Sie sie dort auf den Boden, wo sie zusammengebaut werden. Prüfen Sie jedes Teil entsprechend der Liste im Abschnitt „DIE EINZELTEILE“ 1.0. Achten Sie darauf, dass alle vorhandenen Teile auch montiert werden.

Schritt 2. Installieren Sie die Abdeckung der Abflussventile und die Stöpsel

Vergewissern Sie sich, dass der Abflussstöpsel in die Abflusskappe hineingesteckt und die Abdeckung des Abflussventils fest angeschraubt ist. Verschließen Sie die Verbindungslöcher mit den Stöpseln. (Der Abflussstöpsel fällt je nach Poolgröße anders aus.)



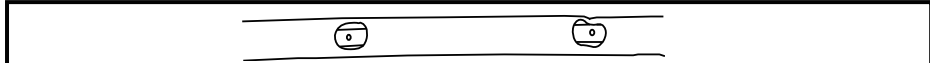
STÖPSEL

Abdeckung des Abflussventils

Abflussstöpsel A

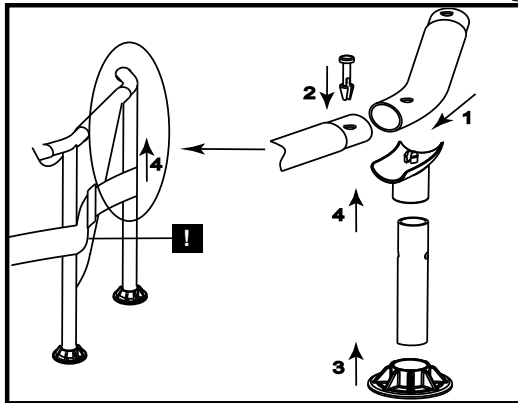
Abflussstöpsel B

Schritt 3. Installieren Sie den Horizontalholm



Schieben Sie Holmenkombination in die Manschette hinein, wobei das Loch in den Holmen nach außen weisen muss.

Schritt 4. Installieren Sie den T-Verbindung



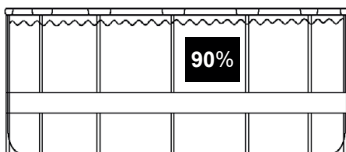
- 4.1. Verwenden Sie das Verbindungsende des T-Joint, um die benachbarten horizontalen Röhre zu verbinden.
- 4.2. Stecken Sie den Pin in das Loch der verbundenen Röhren
- 4.3. Installieren Sie die vertikale Beinkappe auf dem vertikalen Bein.
- 4.4. Führen Sie das vertikale Bein durch den Gürtel in die T-Verbindung ein.

Schritt 5. Befüllen des Pools

WARNUNG: Lassen Sie den Pool nicht unbeaufsichtigt stehen, während Sie ihn mit Wasser befüllen.

WARNUNG: Wenn sich an einer Seite mehr als 2,5 ~ 5 cm Wasser ansammelt, bevor die Mitte aufgefüllt ist, steht der Pool nicht eben und muss richtig aufgestellt werden! Ziehen Sie den Abflussstöpsel heraus, lassen Sie das gesamte Wasser ab, demontieren Sie den gesamten Pool und stellen Sie den Pool durch erneute Errichtung anweisungsgemäß ganz eben auf.

WARNUNG: Füllen Sie NICHT ZUVIEL Wasser in den Pool, denn der Pool könnte zusammenbrechen. Bei schweren Regenfällen sollten Sie etwas Wasser abschöpfen, um sicherzustellen, dass der Pegel richtig ist.



1. Vergewissern Sie sich, dass das Abflusszubehör fest hineingesteckt und die Kappe angebracht ist. Beginnen Sie damit, den Pool mit Wasser zu befüllen. Befindet sich ca. 2,5 cm tiefes Wasser im Pool, stoppen Sie die Befüllung und glätten Sie den Poolboden. Ziehen Sie die Außenwand vom oberen Rand rings um den Poolboden nach außen, damit er gleichmäßig befüllt wird.
2. Fahren Sie mit der Poolbefüllung fort, bis Wasserstand

6.0 Überwinterung und Langzeitlagerung

WARNUNG: Do not let your children stand at downfold and face the water outlet during the drainage. The water current may sweep your children.

WARNUNG: Pool should be stored at places where it is cool and dry, with no sharp object surrounded, or no heavy objects lying above, which may cause damage to the pool.

Schritt 1. Wenn Sie eine Filterpumpe haben, achten Sie darauf, dass die Filterpumpe nicht an eine Stromquelle angeschlossen ist.

Schritt 2. Vergewissern Sie sich, dass der Abflusstöpsel innen im Pool fest hineingesteckt ist.

Schritt 3. Verbinden Sie Ihren Gartenschlauch mit dem Schlauchadapter und legen Sie das andere Schlauchende dort hin, wo das Wasser gefahrlos abfließen kann, z.B. Gully oder Straßenabfluss. Denken Sie daran, dass das Wasser immer seine eigene Nivellierung findet, so dass das Schlauchende niedriger sein muss als der Pool, um einen kompletten Abfluss sicherzustellen.

Schritt 4. Wenn Sie eine Filterpumpe haben, stecken Sie den Stöpsel in die Zufluss- und Abflusshalterungen innen im Pool und trennen Sie dann die Schläuche der Filterpumpe ab.

Schritt 5. Verbinden Sie den Schlauchadapter mit dem Abfluss, indem Sie den Adapter im Uhrzeigersinn aufschrauben.

Schritt 6. Öffnen Sie den Abflusstöpsel innen im Pool, woraufhin das Wasser sofort abfließt.

Schritt 7. Trennen Sie den Schlauch und den Abflussadapter, wenn Sie fertig sind.

Schritt 8. Bringen Sie wieder den Abflusstöpsel innen im Pool an.

Schritt 9. Vergewissern Sie sich, dass die Poolverkleidung komplett trocken ist, bevor Sie den Pool für eine längerfristige Lagerung zusammenfalten. Wenn Sie den Pool ein paar Stunden dem Sonnenlicht aussetzen, beschleunigt sich der Trocknungsvorgang und es fällt leichter, den Pool für die Lagerung zusammenzufalten. (Versuchen Sie nie, einen Pool zu falten oder zu verstauen, der nicht komplett trocken ist, da dies zur Verbreitung von Schimmelpilz oder zur Schimmelbildung während der Lagerzeit des Pools führen könnte.)

Schritt 10. Vergessen Sie nicht, dass eine angemessene Lagerung außerhalb der Saison ein wichtiger Aspekt zum Schutz Ihrer Investition in Ihrem Pool ist. (Besonders im Winter.) Sobald das gesamte Wasser aus dem Pool abgeflossen und er trocken ist, sollten Sie ihn sorgfältig zusammenfalten und in eine wasserabweisende Bodenplane (falls verfügbar) oder eine Schutzplane aus ähnlichem Material inwickeln. Der Pool mitsamt dem gesamten Zubehör wie Pumpe, Abdeckung, Bodenplane, Leiter, Schläuche, Klemmen und Kleinteile sollte zusammen und in einem angemessenen warmen, trockenen und wettergeschützten Raum in einem Haus aufbewahrt werden.

6.1 Faltanleitung

Vor dem Zusammenfalten ist es ratsam, alle Teile und den Pool zum Trocknen ca. eine Stunde lang in die Sonne zu legen. (Pic. 1). Bepudern Sie den Pool dann mit etwas Talkum, damit das Vinyl nicht zusammenklebt.

Schritt 1. Falten Sie die vorstehenden Seite bitte nach innen, um eine rechteckige Form zu erhalten. (Pic. 2).

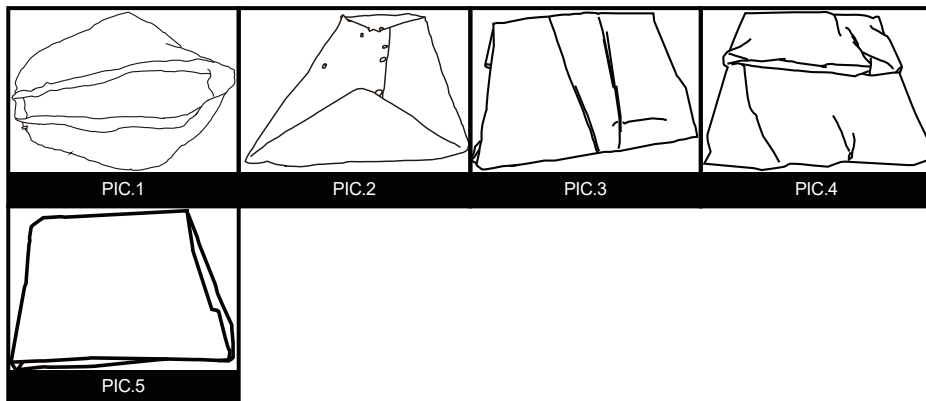
Schritt 2. Falten Sie jede Hälfte des Rechtecks, um ein kleineres Rechteck zu erhalten. (Pic. 3).

Schritt 3. Falten Sie alle Enden nach hinten. (Pic. 4).

Schritt 4. Falten Sie die restlichen Enden zusammen, um ein einziges Rechteck zu erhalten. (Pic. 5).

TIPP 1. Entfernen Sie bitte die Luft im Innern, damit der zusammengefaltete Pool bei jedem Falten dünn und flach wird.

TIPP 2. Die Originalverpackung kann für die Lagerung verwendet werden.



7.0 Pflege des Pools während der Saison

WARNUNG: Die zu Ihrem Pool gehörige Filterpumpe, sofern vorhanden, hat den Zweck, Schmutz und andere kleine Teilchen aus dem Badewasser zu entfernen. Um jedoch ein Badewasser zu bekommen, das stets sauber, frei von Algen und schädlichen Bakterien ist, ist es SEHR WICHTIG, EINEN KONSEQUENTEN PLAN FÜR DIE CHEMISCHE WASSERAUFBEREITUNG UMZUSETZEN. Erkundigen Sie sich bei Ihrem lokalen Händler für Poolartikel nach einem sicheren und wirksamen Einsatz von Chlor, Schockbehandlungen, algentötenden Mitteln und anderen derartigen Chemikalien.

WARNUNG: Um Haut- und Augenirritationen oder sogar Verletzungen bei den Badenden zu vermeiden, dürfen Sie niemals Chemikalien in den Pool geben, wenn sich gerade Personen darin befinden. Geben Sie niemals Chemikalien oder Substanzen in Ihren Pool, wenn Sie nicht nachvollziehen können, welche genaue Mengen oder welcher Typ dem Wasser hinzugefügt werden muss. Informieren Sie bei einem Händler für Pools nach Anweisungen und Richtlinien für die Verwendung diesbezüglicher Chemikalien in Ihrem Pool.

WARNUNG: Es wird Pool-Besitzern dringendst empfohlen, das Wasser im Pool oft zu testen, um sicherzustellen, dass der pH-Wert und die Chlorkonzentration im

Wasser optimal ist für ein sicheren und angenehmes Baden über die gesamte Saison hinweg. Ihr Händler für Poolbedarf berät Sie gerne, um ein geeignetes Testset und Anweisungen für seinen Gebrauch zu finden.

WARNUNG: Eine Nichtbeachtung dieser Wartungsregeln kann die Gesundheit der Badenden, insbesondere der von Kindern, stark gefährden.

Dieses Produkt ist ein lagerfähiger, saisonal nutzbarer Pool. Leben Sie in einer Klimazone, in der der Pool nicht ganzjährig genutzt wird, wird **DRINGENDST EMPFOHLEN**, das Wasser aus dem Pool abzulassen, ihn gründlich zu reinigen und zu trocknen und ihn außerhalb der Saison an einem geschützten Ort aufzubewahren. Auf diese Weise verlängert sich die Lebenszeit Ihres Pools und es wird ein Sicherheitsrisiko eingedämmt, während der Pool nicht genutzt wird. In der Zeit, in der der Pool genutzt wird, muss das Filtersystem (sofern vorhanden) jeden Tag so lange in Betrieb gesetzt werden, dass die gesamte Wassermenge mindestens einmal ganz erneuert wird.

Damit das Wasser in Ihrem Pool die gesamte Saison über sauber und hygienisch bleibt, müssen Sie sich streng an die folgenden Richtlinien halten:

1. Ein richtiger und durchgehender Gebrauch grundlegender Chemikalien für Pools ist erforderlich, um einen angemessenen pH-Wert im Poolwasser aufrecht zu erhalten. Zudem verhindert die Anwendung von Chemikalien das Wachstum schädlicher Bakterien oder Algen in Ihrem Pool und unterstützt die Filterpumpe bei der Reinhaltung Ihres kristallklaren Wassers. Chemikalien, die in Ihrem Pool eingesetzt werden sollten, sind unter anderem:

1) Chlor in Form von Tabletten, Granulat oder Flüssigkeit: Desinfiziert das Poolwasser und verhindert Algenwuchs.

2) Chemikalien, die den pH-Wert regulieren: Diese dienen zur Korrektur den pH-Wertes und machen das Wasser mehr oder weniger sauer.

3) Algenvernichtungsmittel: Diese Chemikalien werden zur Vernichtung von Algen eingesetzt.

4) „Schock“ (Super-Chlorierung): Eliminiert bestimmte organische und anderweitige kombinierte Verbindungen, welche die Klarheit des Wassers beeinträchtigen. Informieren Sie bei einem lokalen Händler für Poolbedarf nach bestimmten Details für den Einsatz von Chemikalien, teilen Sie ihm mit, wieviel Wasser Ihr Pool aufnimmt, und, falls gewünscht, geben Sie ihm eine Probe Ihrem Poolwasser. Er wird dann in der Lage sein, Sie bezüglich folgender Punkte richtig zu beraten: 1) welche Chemikalien gekauft werden sollten, 2) welche Mengen an Chemikalien gekauft werden sollten und 3) wie die einzelnen Chemikalien gefahrlos und effektiv verwendet werden.

2. Achten Sie darauf, dass Chlor niemals direkt mit der Poolverkleidung in Kontakt kommt, sondern erst in einem komplett aufgelösten Zustand. Dies bedeutet, dass Sie Chlor in Granulat- oder Tablettenform erst in einem Eimer mit Wasser auflösen müssen, bevor Sie es in das Poolwasser geben; und flüssiges Chlor muss langsam und gleichmäßig von verschiedenen Stellen um den Pool herum hineingegossen werden. **GEFAHR:** Gießen Sie **NIEMALS** Wasser auf Chemikalien. **SONDERN** fügen Sie Chemikalien dem Wasser hinzu. Vermischen Sie auch niemals getrennte Chemikalien, sondern geben Sie diese getrennt in den Pool, wobei die jeweilige Chemikalie sich

erst im gesamten Pool verteilt haben muss, bevor Sie eine andere Chemikalie hinzufügen.

3. Wir empfehlen den Erwerb eines Testsets für eine häufige Kontrolle des Poolwassers, um sicherzustellen, dass der pH-Wert und die Chlorkonzentration optimal sind. Ihr lokaler Händler für Poolbedarf informiert Sie gerne über den Kauf und den Gebrauch eines Testsets, das für Ihren Bedarf am geeignetsten ist. HINWEIS: Eine übermäßige Chlorkonzentration und auch niedrige (saure) pH-Werte können die Poolverkleidung beschädigen und erfordern sofortige Maßnahmen zur Behebung, wenn das Testergebnis eines von beiden anzeigt. Das Entfernen von größeren Schmutzteilen aus Ihrem Pool und das Reinigen der Poolverkleidung sind Aufgaben, die ein Pflegeset für Pools, bestehend aus einem Blattabschöpfer und eine mit dem Gartenschlauch betriebene Saugvorrichtung, vereinfacht. Pflegesets enthalten Sie als Bonus beim Erwerb von größeren Poolsystemen, Sie können sie auch separat als Zubehör erwerben. Wenden Sie sich bitte an Ihr Kundendienstcenter vor Ort, wenn Sie Ratschläge für Reparaturarbeiten während der Lebenszeit des Poolsets benötigen.

4. Prüfen Sie die Filterpumpenpatrone alle zwei Wochen (oder häufiger, wenn der Pool häufig benutzt wird), um sich vergewissern, ob sie gereinigt oder ersetzt werden muss. Sieht die Patrone nicht mehr weiß aus, versuchen Sie, die Patrone mit einem starken Wasserstrahl aus Ihrem Gartenschlauch zu reinigen. Lässt sich die Patrone auf diese Weise nicht mehr reinigen, muss sie ersetzt werden. Wenn Sie Ihre Patronen nicht häufig reinigen und/oder ersetzen, beeinträchtigt dies die Wirksamkeit Ihrer Filterpumpe und kann auch ihre Nutzungsdauer verkürzen.

5. Gehört zu Ihrem Poolsystem auch eine Abdeckung, decken Sie den Pool immer ab, wenn er unbenutzt ist. Auf diese Weise können Wind und andere Elemente keinen Schmutz und keine Kleinteile in Ihren Pool hineintragen und überschüssiges Regenwasser kann Ihren Pool auch nicht zum Überlaufen bringen.

6. Erinnern Sie Ihre Familienangehörigen und Freunde daran, dass sie sich vor Betreten des Pools immer erst den Schmutz oder Hautöle von ihren Händen, Füßen und dem Körper mit einem Schlauch abspritzen oder unter fließendem Wasser abspülen.

7. Die Bolzen und Kleinteile des Pools müssen bei Bedarf untersucht werden (z. B. auf Rostflecke).

8. Sobald Ihr Pool für die Saison mit Wasser aufgefüllt ist, achten Sie darauf, ob er sich aufgrund von Regen oder per Zufall übermäßig auffüllt. In diesem Fall ist es wichtig, das überschüssige Wasser sobald wie möglich abzulassen oder herauszuschöpfen. Wenn es sich um einen aufblasbaren Ringpool handelt, sollte der Wasserpegel niemals höher sein als der Unterrand des aufblasbaren Rings.

8.0 Fehlerbehebung

PROBLEM	BESCHREIBUNG	URSACHE	BEHEBUNG
GEFÄRBTES WASSER	<ul style="list-style-type: none"> Wasser verfärbt sich bei erstmaliger Chlorierung blau, braun oder schwarz. 	<ul style="list-style-type: none"> Das Chlor oxidiert mit den Mineralien in Ihrem Wasser. Dies tritt häufig bei Wasser aus unterschiedlichen Quellen auf. 	<ul style="list-style-type: none"> Passen Sie den pH-Pegel dem empfohlenen Wert an. Lassen Sie den Filter laufen, bis das Wasser klar ist. Patrone regelmäßig reinigen.
PARTIKEL SCHWEBEN IM WASSER	<ul style="list-style-type: none"> Wasser sieht „milchig“ oder trübe aus. 	<ul style="list-style-type: none"> „Hartes Wasser“ aufgrund eines erhöhten pH-Wertes. Unzureichende Chlorierung. Fremdkörper im Wasser. Die Badenden haben vor Betreten des Pools nicht ihre Füße gereinigt. 	<ul style="list-style-type: none"> Passen Sie den pH-Wert an. Erkundigen Sie sich bei einem Händler für Poolbedarf nach der richtigen Wasseraufbereitung. Achten Sie auf einen richtigen Chlorwert. Reinigen oder ersetzen Sie Ihren Filter. Spritzen Sie Schmutz vor dem Betreten mit einem Hochdruckschlauch ab.
DURCHGÄNGIG NIEDRIGER WASSERSTAND	<ul style="list-style-type: none"> Der Pool scheint täglich Wasser zu verlieren. 	<ul style="list-style-type: none"> Riss oder Loch in der Poolverkleidung. Riss oder Loch in einem Filterpumpenschlauch Schlauchklammern sind zu locker. Verdunstung aufgrund hoher, sommerlicher Temperaturen. 	<ul style="list-style-type: none"> Finden Sie die beschädigte Stelle und reparieren Sie sie mit dem beigefügten Flicker. Reparieren oder ersetzen Sie die Schläuche. Ziehen Sie alle Schlauchklammern fest an. Decken Sie den Pool ab, wenn er unbenutzt ist.
ALGEN	<ul style="list-style-type: none"> Wasser hat eine grünliche Färbung. Grüne, braune oder schwarze Flecken erscheinen an der Poolverkleidung. Boden des Pools ist rutschig und/oder ein unangenehmer Geruch ist vorhanden. 	<ul style="list-style-type: none"> Algenbildung. 	<ul style="list-style-type: none"> Führen Sie eine „Schockbehandlung“ durch (Super-Chlorinierung). Prüfen Sie den pH-Wert und passen Sie ihn so an, wie es Ihnen ein lokaler Händler für Poolbedarf mitgeteilt hat. Saugen Sie die Poolverkleidung ab oder schrubben Sie sie leicht sauber. Prüfen Sie das Wasser oft, um angemessene Chlorwerte beizubehalten.
POOLWASSER IST KÜHL	<ul style="list-style-type: none"> Wasser erwärmt sich nicht auf eine angenehme Badetemperatur. 	<ul style="list-style-type: none"> Der Pool wurde an einer sehr schattigen Stelle oder in einem von Bäumen umgebenen Bereich aufgestellt. Hitze entweicht aus dem Poolwasser. 	<ul style="list-style-type: none"> Stellen Sie den Pool an einer offeneren Stelle neu auf, wo er während der Haupttageszeit eine maximale Sonnenbestrahlung erhält. Decken Sie Ihren Pool stets ab, wenn

9.0 Limited warranty

Wir sichern einzig dem Originaligentümer eine Garantie gegen Material- und Ausführungsfehlern für einen Zeitraum von 90 Tagen ab dem Kaufdatum bei normaler Verwendung und Wartung auf sämtliche Komponenten zu, die in diesem Set Pool enthalten sind (mit Ausnahme der Filterpumpe).

Falls Einzelteile vom Besitzer ausgetauscht, beschädigt oder zweckentfremdet wurden, erlischt die entsprechende Garantie für diese Einzelteile. In diesem Fall werden Ihnen die Kosten für die Ersatzteile und die weiteren Vorgehensweisen mitgeteilt.

Bei nachweislichen Herstellungsmängeln reparieren wir sämtliche Produkte innerhalb der Garantiezeit oder tauschen sie (nach unserem Ermessen) aus, sofern ein dazugehöriger Kaufbeleg vorgelegt wird.

Diese eingeschränkte Garantie gilt nicht, wenn das Produkt kommerziell eingesetzt wurde oder die Schäden aufgrund von Unfällen, höherer Gewalt, Missbrauch, Fahrlässigkeit, Vandalismus, falschem Einsatz von Chemikalien, extremer Witterung oder Fahrlässigkeit bei der Montage oder Demontage eintraten.

Wir haften nicht für Installationskosten, Arbeitsaufwand oder Transportkosten, die beim Austausch von defekten Teilen entstehen. Zudem gilt diese eingeschränkte Garantie nicht für unautorisierte Modifikationen am Produkt.

2.0 Introductie

Gefeliciteerd met de aanschaf van uw Frame Zwembad van EXIT Toys!

Pret maken, actief leven en buiten spelen.....

Dat is onze motivatie om innovatief en kwalitatief speelgoed te ontwikkelen voor coole kinderen.

We doen er alles aan om producten te ontwikkelen die veilig zijn voor kinderen. Aangezien onze producten worden geclassificeerd als speelgoed, voldoen we aan de strengste normen op het vlak van consumentveiligheid. Voordat we een product op de markt brengen, laten we onafhankelijke tests uitvoeren voor de vereiste certificaten. We voeren ook voortdurend controles uit tijdens de productie en we laten regelmatig nieuwe onafhankelijke tests uitvoeren als extra controle. Enkel de producten die voldoen aan de strengste normen van EXIT Toys krijgen het EXIT Toys merk.

Wij stellen het zeer op prijs dat u bij ons klant bent en danken u voor het vertrouwen in dit product. We zijn er zeker van dat uw kinderen evenveel van dit product zullen genieten als wij tijdens de ontwikkeling ervan. Omdat we open staan voor uw mening, zijn uw opmerkingen en ideeën steeds welkom zodat we onze producten nog kunnen verbeteren en nieuwe kunnen ontwikkelen. Neem daarom gerust contact op via info@exittoys.com.

Bezoek de wereld van EXIT Toys op www.exittoys.com en ontdek ook onze andere stoere en nieuwe buitenspeel producten.

Het team van EXIT Toys

3.0 Belangrijke veiligheidsvoorschriften



Waarschuwing: Om meer plezier te beleven aan uw zwembad en de veiligheid van de mensen in en rond het zwembad te garanderen, is het belangrijk dat u de volgende veiligheids- en **onderhoudsinstructies STRIKT NALEEFT.**

- 1). VOOR het instellen of gebruik van het zwembad, is de eigenaar van het zwembad ervoor verantwoordelijk alle lokale en nationale wetten die betrekking hebben op de veiligheid van het bovengrondse zwembad. Deze omvatten, maar zijn niet beperkt tot wetten op: vloeren, hekkens, afsluitingen, afdekkingen, zwembadladders, verlichting en verplichte veiligheidsuitrusting. Raadpleeg hierover de plaatselijke autoriteiten.
- 2). Laat kinderen niet zonder toezicht in het zwembad. Zorg altijd dat minstens één verantwoordelijke volwassenen TEN ALLEN TIJDE op alle kinderen let en op degenen die niet weten te zwemmen. Ga nooit alleen zwemmen/baden in het zwembad.
- 3). NOOIT toestaan dat er in het zwembad wordt gedoken of gesprongen. Ga nooit in het zwembad vanaf een vloer of andere verhoogde oppervlakken. Het waterniveau in uw zwembad is extreem ondiep en is niet geschikt voor deze activiteiten. Het niet naleven van deze instructies kan resulteren in ernstige letsels of zelfs overlijden.
- 4). Laat kinderen of volwassen niet toe om te vechten of andere agressieve sporten of activiteiten in of rond het zwembad uit te oefenen. Het niet naleven van deze richtlijn kan leiden tot ernstige letsels voor mensen die zich in en rond het zwembadgebied bevinden.
- 5). Zorg altijd dat de juiste veiligheidsapparatuur voor het zwembad gemakkelijk bereikbaar is in de buurt van uw zwembad. Zorg dat de telefoonnummers voor noodinstanties, alsmede als veiligheidsregels en waarschuwingen (zoals "Niet springen of duiken" en "Niet alleen zwemmen"). Laat geen baders toe in het zwembad tenzij het gebied voldoende helder of verlicht is.
- 6). Alle filters zijn in overeenstemming met de installatiestandaard NF C 15-100 die bepaalt dat alle elektronische apparaten binnen 3,50 m van het zwembad en vrij toegankelijk zijn een lage spanning van 12V moeten hebben. Alle elektrische apparatuur met 220V stroom moet minstens 3,5 meter van de rand van het zwembad staan. Raadpleeg de fabrikant voor enige wijzigingen van een of meerdere elementen op het filtersysteem (voor Frankrijk).
- 7). De veiligheid van de kinderen hangt volledig af van u! Kleine kinderen jonger dan 5 jaar worden blootgesteld aan maximaal gevaar. Het zijn niet altijd de anderen die een ongeval krijgen! Denk daar altijd aan!
- 8). Toezicht en actie:
 - Wijs een persoon aan die verantwoordelijk is voor de veiligheid.

- Er is meer toezicht vereist wanneer er verschillende personen in het zwembad aanwezig zijn.
- Leer uw kinderen zo snel mogelijk zwemmen.
- Maak de hals, armen en benen van het kind nat voordat het in het water gaat.
- Leer EHBO, vooral specifiek gericht op kinderen.
- Verbied jonge kinderen om in het zwembad te duiken of te springen;
- Verbied loopspelletjes en gewelddadige spellen rond het zwembad;
- Laat geen kinderen die niet kunnen zwemmen, zonder begeleiding in het zwembad;
- Laat geen speelgoed achter in de buurt van een onbewaakt zwembad.
- Houd het water schoon en gezond.
- Bewaar waterbehandelingsproducten buiten het bereik van kinderen.

9). Let altijd op het volgende:

- Houd altijd een telefoon binnen handbereik bij het zwembad zodat u kinderen niet alleen hoeft te laten terwijl u aan de telefoon bent.
- Zorg voor een boei en staaf bij het zwembad.

10). Er zijn nog meer uitrustingen die kunnen bijdragen tot de veiligheid.

- Beschermhek waarvan poort altijd gesloten is (zo kan een tuinhag bijvoorbeeld niet worden beschouwd als een hek).
- Een handmatige of automatische beschermingsafdekking die is geïnstalleerd en vastgezet.
- Een elektronische doorgangs- of valdetector, werkend of operationeel. Geen van deze oplossingen kan echter een nauwgezette supervisie vervangen.

11). Ongeval:

- Trek het kind zo snel mogelijk uit het water.
- Vraag om hulp en ga te werk volgens de opgelegde methode.
- Verwijder de natte kledij en dek het kind af met een warme deken.

12). Onthoud en bewaar noodnummers bij het zwembad:

- Brandweer: (112 voor Europa);
- Medische spoeddienst: (112 voor Europa);

13). Verbied toegang tot het zwembad als de filters van het systeem verslechteren;

14). Niet duiken;

15). Niet op de rand stappen;

16). Waarschuwing: Plaats het lege zwembad nooit in openlucht.

VERDRINKING VOORKOMEN

WAARSCHUWING

Houd nauwgezet toezicht op kinderen die zich *in of dichtbij* dit zwembad bevinden. Kinderen jonger dan 5 lopen het meeste risico op verdrinking.

Blijf uit de buurt van afvoerbuizen en aanzuigaansluitingen


WAARSCHUWING

Uw haar, lichaam en juwelen kunnen in de afvoer worden gezogen. U kunt onder water worden gehouden en verdrinken.

VERBODEN TE DUIKEN!

WAARSCHUWING

U kunt uw nek breken en verlamd raken.

4.0 Locatieselectie

WAARSCHUWING: Zwembaden die op onvoldoende egale oppervlakken worden geïnstalleerd, worden aan lekkages, onregelmatige vervormingen of omvallen onderworpen. Dit kan schade aan eigendommen of ernstig letsel aan personen in en rondom het gebied van het zwembad resulteren!

WAARSCHUWING: Gebruik geen zand tijdens de installatieprocedure. Als u merkt dat u een "nivelleringsmiddel" nodig hebt, is uw installatielocatie mogelijk niet geschikt. **HET NIET NALEVEN VAN DEZE WAARSCHUWING KAN LEIDEN TOT ERNSTIGE LICHAAMELIJKE LETSELS.**

VOORZICHTIG: Kies uw installatiegebied nauwkeurig omdat gras en andere plantengroei onder het grondzeil (indien van toepassing) zal sterven. Probeer daarnaast ook om het grondzeil (indien van toepassing) te plaatsen in een gebied dat vatbaar is voor agressieve plant- en onkruidsoorten, omdat ze door het grondzeil (indien van toepassing) kunnen groeien.

VOORZICHTIG: Het zwembad moet toegang hebben tot een AC-stopcontact van 110 of 230 volt dat door een verliesstroomautomaat wordt beschermd. Het zwembad mag niet dichterbij dan 3 meter van de voedingsbron zijn, maar niet verder dan de lengte van de kabel van de filterpomp. Er mag onder geen enkele omstandigheid een verlengsnoer worden gebruikt om het bereik van de verbinding te verlengen.

Het is absoluut belangrijk dat u voor uw zwembad een geschikte locatie selecteert VOORDAT u probeert het met water te vullen. Selecteer een instellingslocatie die strikt voldoet aan de volgende richtlijnen:

Richtlijn 1. Controleer of het gebied stevig, plat (geen hopen of kuilen van aarde) en extreem waterpas is, met een maximale hellingsgraad van 3° op elk punt in het installatiegebied.

Richtlijn 2. Zorg dat het oppervlak die u hebt geselecteerd om het zwembad op te zetten, volledig vrij is van stenen, stokken, scherpe voorwerpen of ander vreemd afval.

Richtlijn 3. Selecteer een gebied dat niet direct onder bovenstroomleidingen of

bomen is. Zorg daarnaast dat het instellingsgebied van het zwembad geen ondergrondse pijpleidingen, leidingen of kabels van enige soort bevat.

Richtlijn 4. Als bij uw zwembadpakket een gronddoek is geleverd, is het gebruik ervan sterk aanbevolen. Het grondzeil helpt de zwembadbekleding te beschermen tegen schade door de groei van onkruid, scherpe objecten en afval.

Richtlijn 5. Kies, wanneer mogelijk, een open locatie op uw terrein dat aan direct zonlicht wordt blootgesteld. Dit helpt uw zwembad te verwarmen.

Platte, effen bodem - **JUIST**

Hobbelige, hellende bodem - **FOUT**



5.0 Het zwembad opzetten

BELANGRIJK: Start de montage niet als er stukken ontbreken. Bel het nummer van de klantendienst in uw regio voor vervangstukken.

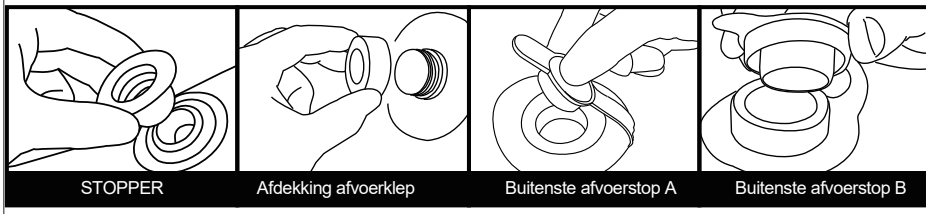
Het aantal personen dat is vereist voor de installatie: minstens twee volwassenen.
Totale installatieduur zonder de tijd voor de voorbereiding van de locatie en het bijvullen van water: 30 ~45 minuten.

Stap1. Controle van alle onderdelen

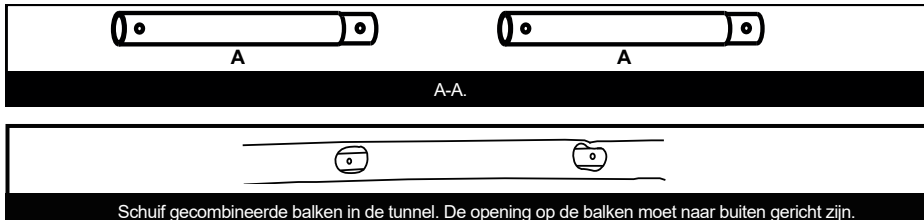
Verwijder alle onderdelen uit de kartonnen verpakking en plaats ze op de grond op de locatie waar ze moeten worden gemonteerd. Controleer elk onderdeel volgens "REFERENTIES ONDERDELEN" 1.0 Controleer of alle onderdelen die moeten worden gemonteerd, aanwezig zijn.

Stap2. Installeer de stopper en afvoerkleppen.

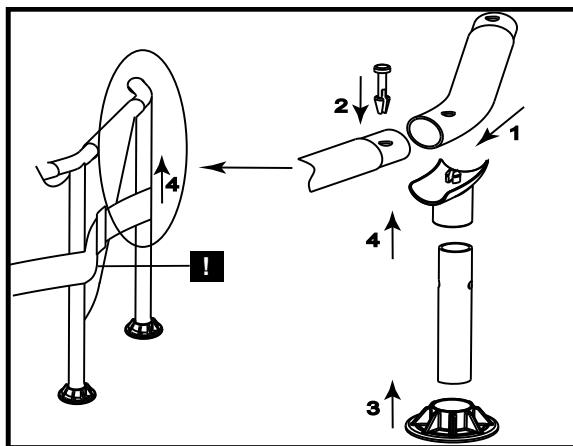
Controleer of de buitenste afvoerstop in de buitenste afvoerkap zit en of de afdekking van de afvoerklep stevig is vastgeschroefd. Sluit de aansluitopeningen aan op de stoppers. (De buitenste afvoerstop verandert afhankelijk van de grootte van het zwembad.)



Stap 3. Installeer de horizontale buizen



Stap 4. Installeer de T-verbinding



- 4.1. Steek het T-verbindingstuk onderin de gekoppelde horizontale buizen.
- 4.2. Steek de pin in het gat van de bovenste buizen
- 4.3. Bevestig de pootdop onder de verticale poot.
- 4.4. Steek de poot door de riem van het zwembad en steek in de T-verbinding.

Stap 5. Vul het zwembad met water

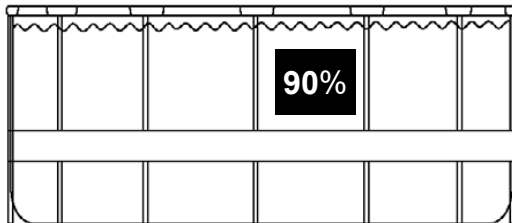
WAARSCHUWING: Laat het zwembad niet onbewaakt achter tijdens het vullen met water.

WAARSCHUWING: als er meer dan 2,5 - 5 cm water samenstroomt aan een van de zijden voordat het midden wordt gevuld, staat het zwembad niet waterpas genoeg en moet dat worden gecorrigeerd. U moet de afvoerstop uittrekken, het water volledig laten weglopen, het zwembad volledig demonteren, het zwembad op een effen oppervlak plaatsen en de installatierichtlijnen herhalen.

WAARSCHUWING: NIET TE VEEL VULLEN omdat het zwembad hierdoor kan inzakken. Bij zware regenval moet u soms wat water aflaten om zeker te zijn dat het waterpeil goed is.

5.1. Zorg dat het afvoerhulpstuk stevig is aangesloten en de kap op zijn plaats is. Begin het zwembad te vullen met water. Nadat ongeveer 2,5 cm water op de bodem is gevuld, stopt u het vullen en wrijft u de kreuken uit de onderkant van het zwembad. Trek de buitenwand vanaf de bovenrand, helemaal rond de onderkant van het zwembad, zodat het gelijkmatig wordt gevuld.

5.2. Ga door met het vullen van het zwembad tot waterlevel



6.0 Demontage en opslag

WAARSCHUWING: Laat uw kinderen niet op het omgevouwen deel staan en zorg dat ze niet in de richting van de wateruitlaat gericht zijn tijdens de afvoer. De waterstroom kan uw kinderen meesleuren.

WAARSCHUWING: Het zwembad moet worden opgeslagen op een koele en droge plek, waar geen scherpe objecten aanwezig zijn of er geen zware objecten boven liggen waardoor het zwembad kan beschadigd raken.

Stap 1. Als u een filterpomp hebt, moet u zorgen dat de elektriciteitsbron naar de filterpomp is losgekoppeld.

Stap 2. Controleer of de buitenste afvoerstop stevig in de binnenzijde van het zwembad is gestopt.

Stap 3. Bevestig uw tuinslang op de connector van de afvoerklep en plaats het andere uiteinde van de slang in een gebied waar het water veilig kan worden afgevoerd, zoals een stormbekken of een goot. Denk eraan dat water altijd zijn eigen niveau zoekt. Daarom moet het uiteinde van de slang langer liggen dan het zwembad zodat een volledige afvoer is gegarandeerd.

Stap 4. Als u een filterpomp hebt, stopt u stopper in de inlaat- en itlaatbevestigingen, op de binnenkant van het zwembad, en koppelt u vervolgens de filterpompslangen los.

Stap 5. Bevestig de connector van de afvoerklep op de afvoeruitlaat door de connector rechtsonder te draaien.

Stap 6. Open de buitenste afvoerstop op de binnenkant van het zwembad en het water wordt onmiddellijk afgevoerd.

Stap 7. Koppel de slang en afvoerconnector los wanneer u klaar bent.

Stap 8. Vervang de buitenste afvoerstop op de binnenkant van het zwembad.

Stap 9. Zorg dat de zwembadbekleding helemaal droog is voordat u het zwembad samenvouwt voor langdurige opslag. Als u het zwembad enkele uren blootgesteld laat aan zonlicht, wordt het gereinigd en verloopt het drogen sneller zodat het gemakkelijker wordt om het zwembad op te slaan voor opslag. (Probeer nooit een zwembad op te vouwen of op te beregen als het niet helemaal droog is. Anders kan dit leiden tot de vorming van schimmel terwijl het zwembad is opgeslagen.)

Stap 10. Denk eraan dat een goede opslag tijdens de winter cruciaal is om uw investering in een zwembad te beschermen. Zodra het leeggemaakt en droog is, moet u het zwembad zorgvuldig opvouwen en in een grondzeil (indien beschikbaar) of een soortgelijk beschermend zeilmateriaal wikkelen. Het zwembad en alle toepasselijke accessoires zoals de pomp, afdekken, grondzeil, ladder, slangen, klemmen en hardware moeten samen worden behouden en binnenshuis worden opgeslagen op een redelijk warme, droge en waterdichte locatie.

6.1 Vouw instructies

Vóór het opvouwen is het beter alle onderdelen en het zwembad te drogen door ze ongeveer een uur in de zon te leggen (PIC. 1). Verspreid vervolgens wat talkpoeder om te verhinderen dat het PVC samenplakt.

Stap 1. Vouw de uitstekende zijkant naar binnen om de rechthoekige vorm te maken (PIC. 2).

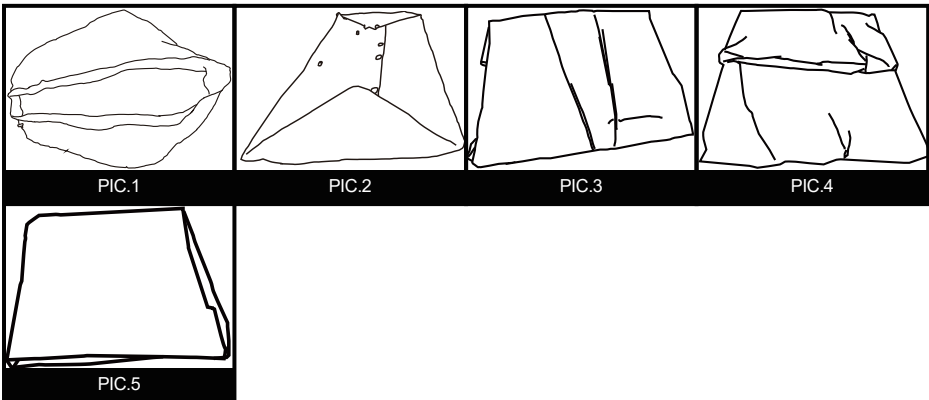
Stap 2. Vouw elke helft van de rechthoek om een kleinere rechthoekige vorm te maken (PIC. 3).

Stap 3. Vouw elk uiteinde naar achter. (PIC. 4).

Stap 4. Vouw de resterende uiteinden samen om een rechthoekige vorm te maken (PIC. 5).

TIP 1. Verwijder de lucht binnenin om het gevouwen zwembad dun en plat te maken tijdens elke vouw.

TIP 2. De originele verpakking kan worden gebruikt voor opslag.



7.0 Seizoens onderhoud en waterverzorging

WAARSCHUWING: Indien toepasselijk, is de filterpomp die bij uw zwembad is geleverd, ontworpen voor het verwijderen van vuil en andere kleine deeltjes uit uw zwembadwater. Om er echter voor te zorgen dat het zwembadwater perfect zuiver, algenvrij en beschermd is tegen schadelijke bacteriën, is het **HEEL BELANGRIJK EEN CONSISTENT SCHEMA VAN CHEMISCHE BEHANDELING TOE TE PASSEN**. Neem contact op met uw lokale zwembadhandelaar voor richtlijnen over het veilig en effectief gebruik van chloor, schok, algicide en andere dergelijke chemische middelen.

WAARSCHUWING: om irritatie van de huid en ogen of zelfs letsels aan baders te voorkomen, mag u nooit chemische producten in het zwembad doen terwijl er personen in het zwembad zijn. Voeg nooit chemische producten of stoffen toe aan uw zwembad als u niet de juiste hoeveelheid of het juiste type kunt controleren om het toe te voegen aan het water. Raadpleeg een zwembadhandelaar voor specifieke instructies en richtlijnen betreffende het gebruik van chemische producten in uw zwembad.

WAARSCHUWING: wij raden zwembadeigenaars sterk aan het water in hun zwembad frequent te testen om zeker te zijn dat de pH- en chloorconcentratie in het water optimaal is voor veilig en aangenaam zwemmen gedurende het hele seizoen. Raadpleeg uw zwembadhandelaar voor een geschikte testset en instructies over het gebruik ervan.

WAARSCHUWING: Niet-naleving van de onderhoudsvoorschriften kunnen een ernstig gevaar voor de gezondheid, vooral voor kinderen, veroorzaken.

Dit product is bedoeld om buiten het seizoen te worden opgeslagen. Als u in een temperatuursgebied leeft waar het zwembad niet het hele jaar wordt gebruikt, wordt u **TEN ZEERSTE AANGERADEN** om het zwembad leeg te laten lopen, grondig te laten drogen en het voor het buitenseizoen op een beschermde plaats op te slaan. Hiermee verlengt u de levensduur van het zwembad en voorkomt u dat er een veiligheidsrisico optreedt terwijl het zwembad niet in gebruik is. Tijdens het gebruiksseizoen van het zwembadpakket, moet het filtersysteem (indien van toepassing) dagelijks worden ingeschakeld, lang genoeg om zeker te zijn dat het watervolume minstens eenmaal is vernieuwd.

Om uw zwembadwater het hele seizoen schoon en hygiënische te houden, moet u nauwgezet de volgende richtlijnen volgen:

1. Het juiste en consistente gebruik van standaard chemische zwembadproducten is vereist om een juiste pH-balans in uw zwembadwater te behouden. Bovendien zal het gebruik van chemische producten de groei van schadelijke bacteriën of algen in uw zwembad stoppen en uw filterpomp helpen het water in uw zwembad kristalhelder te houden. Chemische producten die uw zwembad mogelijk nodig heeft, omvatten, maar zijn niet beperkt tot:

1) Chloor in tabletvorm, korrels of vloeibaar: Desinfecteer zwembadwater en verhindert de groei van algen.

2) Chemische stoffen voor de regeling van het PH-gehalte: Deze worden gebruikt voor het corrigeren van PH-niveau en maken water meer of minder zuurhoudend.

3) Algiciden: deze chemische producten worden geformuleerd voor het verwijderen van algen.

4) "Shock" (Superchlorinator): Elimineert bepaalde organisch en andere gecombineerde stoffen die de waterhelderheid kan beïnvloeden. Om specifieke details over het gebruik van chemische producten te verkrijgen, raadpleegt u een lokale zwembadhandelaar en vermeldt u het volume water in uw specifiek zwembad en, indien gewenst, een staal van uw zwembadmonster. Hiermee zult u ze goed kunnen informeren over: 1) de chemische producten die moeten worden aangeschaft, 2) de aan te kopen hoeveelheid van chemische producten en 3) hoe u specifieke chemische producten veilig en effectief kunt gebruiken.

2. Zorg dat chloor nooit in direct contact komt met de bekleding van het zwembad zolang het niet volledig is opgelost. Dit betekent dat chloor in korrels of tabletten eerst moet worden opgelost in een emmer water voordat het in het zwembad wordt gegoten. Op dezelfde manier moet vloeibare chloor gelijkmatig in het zwembadwater worden gegoten vanaf verschillende locaties rond het zwembad.

GEVAAR: voeg NOOIT water toe aan chemische producten. Voeg IN PLAATS DAARVAN chemische producten toe aan water. Meng nooit afzonderlijke chemische producten samen. Voeg chemische producten eerder afzonderlijk toe aan het zwembad en laat ze door het zwembad circuleren voordat u extra types chemische producten toevoegt.

3. Wij raden u aan een testkit aan te schaffen en uw zwembadwater vaak te testen om zeker te zijn dat de PH-balans en chloorniveaus optimaal zijn. Uw lokale zwembadhandelaar kan informatie bieden over de aankoop en het gebruik van een testset die het meest geschikt is voor uw behoeften. **OPMERKING:** Te hoge chloorniveaus of lage (zuurhoudende) pH-niveaus kan de zwembadbekleding beschadigen. Breng daarom zo snel mogelijk correcties aan als de tests een van de twee omstandigheden aantonen. De taken voor het verwijderen van groter afval uit uw zwembad en het schoon houden van de binnenkant van de zwembadbekleding, worden vereenvoudigd met een snel op te zetten zwembadpakket dat een bladschepnet en een stofzuiger met tuinslang. Onderhoudspakketten zijn inbegrepen als een bonusfunctie in grotere zwembadsystemen. Ze kunnen ook afzonderlijk worden aangeschaft als een accessoire. Neem contact op met uw lokaal centrum voor service na verkoop voor advies over reparaties tijdens de levensduur van het zwembadpakket.

4. Controleer, indien toepasselijk, elke twee weken (of vaker tijdens perioden van intens gebruik) de cassette van uw filterpomp om te zien of de deze moet worden gereinigd of vervangen. Als uw cassette niet meer wit is, probeert u deze schoon te spuiten met een krachtige straal water van uw tuinslang. Als uw cassette niet op deze wijze kan worden gereinigd, moet de cassette worden vervangen. Als u de cassettes niet regelmatig reinigt en/of vervangt, wordt de doeltreffendheid van uw filterpomp beïnvloed en kan de nuttige levensduur verkorten.

5. Als uw zwembadstelsel een afdekking heeft, moet u proberen het zwembad altijd afgedekt te houden wanneer het niet in gebruik is. Hiermee wordt verhinderd dat de wind en andere elementen vuil en afval in uw zwembad afzetten. Bovendien kan het zwembad niet overvol worden door regenwater.

6. Herinner uw familie en vrienden eraan om altijd vuil of zonnebrandolie van hun handen en lichaam te spoelen voordat ze in het zwembad stappen.

7. Het is nodig de bouten en bouwelementen van het zwembad te controleren (bijv. roestvlek) wanneer dat nodig is.

8. Zodra uw zwembad voor het seizoen is gevuld met water, moet u erop letten dat uw zwembad niet overvol raakt door regenwater of door het per ongeluk te veel vullen; In dat geval is het belangrijk zo snel mogelijk overtollig water af te laten of leeg te hozen. Als het een opblaasbaar ringbad is, mag het waterpeil nooit hoger zijn dan de onderste rand van de opblaasbare ring.

8.0 Problemen oplossen

PROBLEEM	BESCHRIJVING	OORZAAK	OPLOSSING
GEKLEURD WATER	<ul style="list-style-type: none"> Het water wordt blauw, bruin of zwart wanneer het de eerste keer wordt behandeld met chloor. 	<ul style="list-style-type: none"> Chloor oxideert mineralen in uw water. Dit gebeurt doorgaans met water van verschillende bronnen. 	<ul style="list-style-type: none"> Pas de pH-waarde aan naar het aanbevolen niveau. Laat de filter lopen tot het water helder is. Maak de cassette regelmatig schoon.
ZWEVENDE DEELTJES IN WATER	<ul style="list-style-type: none"> Water ziet er "melkachtig" of bewolkt uit. 	<ul style="list-style-type: none"> "Hard water" veroorzaakt door een hoge pH-waarde. Chlorering volstaat niet. Vreemd afval in water. Baders reinigen hun voeten niet voordat ze in het zwembad stappen. 	<ul style="list-style-type: none"> Pas de pH-waarde aan. Raadpleeg een zwembadhandelaar voor een correcte waterbehandeling. Zorg voor het juiste chloorniveau. Reinig of vervang uw filter. Spuut vuil af met een hogedrukslang voordat u in het zwembad stapt.
BLIJVEND LAAG WATERPEIL	<ul style="list-style-type: none"> Het zwembad lijkt dagelijks water te verliezen. 	<ul style="list-style-type: none"> Scheur of gat in de zwembadbekleding. Scheur of gat in een filterpompslang. Slangklemmen zijn te los. Verdamping door hoge zomertemperaturen. 	<ul style="list-style-type: none"> Zoek de schade en repareer deze met de bijgeleverde reparatiekit. Repareer of vervang de slangen. Maak alle slangklemmen vast. Houd het zwembad afgedekt wanneer het niet in gebruik is.
ALGEN	<ul style="list-style-type: none"> Water heeft een groenachtige tint. Groene, bruine of zware punten verschijnen op de zwembadbekleding. De bodem van het zwembad is glad en/of er is een onaangename geur aanwezig. 	<ul style="list-style-type: none"> Er zijn algen aanwezig. 	<ul style="list-style-type: none"> Pas een "schokbehandeling" toe (superchlorinator). Controleer pH en pas de waarde aan naar een geschikt niveau volgens uw lokale zwembadhandelaar. Stofzuig of schrob de zwembadbehuizing licht. Test vaak het water om geschikte chloorniveaus te behouden.
HET ZWEMBADWATER IS KOEL	<ul style="list-style-type: none"> Water warmt niet op naar een comfortabele zwemtemperatuur. 	<ul style="list-style-type: none"> Zwembad is geïnstalleerd op een plaats waar veel schaduw is of waar bomen staan. Er ontsnapt warmte aan het 	<ul style="list-style-type: none"> Verplaats het zwembad naar een meer open locatie waar het maximaal wordt blootgesteld aan zonlicht tijdens piekuren. Houd uw zwembad afgedekt wanneer het

9.0 Beperkte Garantie

We bieden voor alle componenten van dit zwembad (zonder de filterpompeenheid*) een `garantie tegen defecten in materialen en werkuitvoering, gedurende een periode van 90 dagen vanaf de aankoopdatum, bij normaal gebruik en service, alleen voor de originele koper.

Zijn er onderdelen door de gebruiker vervangen, beschadigd of onjuist gebruikt, dan is de garantie op die onderdelen ongeldig. In dat geval zullen we u informeren over de prijs van vervangingsonderdelen en de verdere instructies.

Als gedurende de relevante tijdsperiode een verifieerbare fabrieksfout wordt gevonden, gaan wij als optie van de garantie voor een product ermee akkoord om het te repareren of te vervangen, mits het juiste aankoopbewijs wordt getoond.

Deze beperkte garantie is niet geldig als het product voor commerciële doeleinden wordt gebruikt, of bij schade door een ongeluk, natuurramp, verkeerd gebruik, verwaarlozing of misbruik, vandalisme, onjuist gebruik van chemicaliën, blootstelling aan extreme weersomstandigheden of verwaarlozing tijdens het instellen of demonteren van het product.

Wij kunnen niet aansprakelijk worden gesteld voor de kosten van installatie, werkzaamheden of transportkosten die zich door vervanging van defecte onderdelen voordoen. Verder dekt deze beperkte garantie geen onbevoegde wijzigingen die aan het product zelf worden uitgevoerd.

2.0 Introduction

Vous venez de faire l'acquisition du EXIT Frame Pool; nous vous en félicitons!

S'amuser, être actif et jouer dehors.....

Nous faisons tout notre possible pour développer des produits sûr pour les enfants. Étant donné que nos produits sont classés comme étant des jouets, nous nous conformons aux réglementations de sécurité des consommateurs les plus rigoureuses. Avant de commercialiser nos produits, nous faisons réaliser des tests indépendants en vue d'obtenir la certification. Nous testons également en continu nos cycles de production et faisons régulièrement réaliser des tests indépendants à titre de contrôle supplémentaire. Seuls les produits qui se montrent à la hauteur de la norme EXIT Toys la plus rigoureuse sont porteurs de l'étiquette EXIT Toys.

Nous souhaitons vous remercier pour l'achat de ce produit et pour votre fidélité. Nous sommes sûrs que vos enfants s'amuseront autant que nous nous sommes amusés durant la phase de développement. Nous sommes très ouverts et preneurs de tous les commentaires et idées qui pourraient nous aider à améliorer nos produits et à en développer de nouveaux. Vous êtes invités à nous envoyer vos idées à info@exittoys.com.

Découvrez le monde de EXIT Toys, ses produits de divertissement branchés et ses nouveautés sur www.exittoys.com.

L'équipe EXIT Toys.

3.0 RÈGLES IMPORTANTES DE SÉCURITÉ



AVERTISSEMENT: O Pour augmenter l'agrément de votre piscine et protéger la sécurité des personnes dans et autour de la piscine, **RESPECTEZ TOUJOURS STRICTEMENT** les instructions de sécurité et de maintenance suivantes

- 1). Il est de la responsabilité du propriétaire de la piscine d'identifier et de respecter toutes les lois locales et nationales concernant la sécurité des piscines hors sol AVANT d'installer ou d'utiliser la piscine. Elles comprennent, mais ne se limitent pas à, des lois sur : les terrasses, les clôtures, les barrières, les couvercles, les échelles de piscine, l'éclairage et les équipements de sécurité exigés. Veuillez consulter les autorités locales pour vous assurer de la conformité.
- 2). Ne laissez pas les enfants sans surveillance dans la piscine. Assurez-vous toujours qu'au moins un adulte responsable encadre tous les enfants et en particulier ceux qui ne savent pas nager, À CHAQUE INSTANT. Ne nagez jamais / ne vous baignez jamais tout seul.
- 3). Ne laissez JAMAIS personne plonger ou sauter dans la piscine. N'entrez jamais dans la piscine depuis une terrasse ou une autre surface surélevée. Le niveau d'eau dans votre piscine est extrêmement peu profond et n'est pas adapté à ces activités. Ne pas respecter ces instructions peut entraîner de graves blessures voire la mort.
- 4). N'autorisez pas les enfants ou les adultes à participer à des « bagarres » ou à d'autres activités ou sports agressifs dans ou autour de la piscine. Ne pas respecter cette directive peut causer de graves blessures pour les personnes dans et autour de la piscine.
- 5). Conservez toujours l'équipement de sécurité approprié de la piscine dans une zone facilement accessible à proximité de votre piscine. Signalez de manière claire les numéros de téléphone de secours ainsi que les bulletins de renseignements et les règles de sécurité (telles que « Défense de sauter et de plonger » et « Ne pas nager seul » N'autorisez pas les baigneurs dans la piscine si la zone n'est pas suffisamment lumineuse ou éclairée.
- 6). Tous les filtrages sont conformes à la norme d'installation NF C 15-100 qui spécifie que tous les équipements électriques situés à moins de 3,50 m du bassin et avec un accès libre doivent avoir une alimentation basse tension de 12 V. Tous les équipements électriques alimentés en 220 V doivent se situer à au moins 3,50 mètres du bord du bassin. Consultez le fabricant en cas de changement d'un ou plusieurs éléments du système de filtrage (pour le marché français).
- 7). La sécurité des enfants dépend entièrement de vous ! Les enfants de moins de 5 ans sont exposés au danger maximal. Les accidents n'arrivent pas toujours aux autres ! Veuillez le garder à l'esprit à tout moment !
- 8). Surveillez et agissez :

- Désigner une personne responsable de la sécurité.
 - La surveillance des enfants doit être rapprochée et constante ;
 - Désignez un seul responsable de la sécurité ;
 - Renforcez la surveillance lorsqu'il y a plusieurs utilisateurs dans la piscine ;
 - Apprenez à nager à vos enfants dès que possible ;
 - Mouillez nuque, bras et jambes avant d'entrer dans l'eau ;
 - Apprenez les gestes qui sauvent et surtout ceux spécifiques aux enfants ;
 - Interdisez le plongeon ou les sauts en présence de jeunes enfants ;
 - Interdisez la course et les jeux vifs aux abords de la piscine ;
 - N'autorisez pas l'accès à la piscine sans gilet ou brassière pour un enfant ne sachant pas bien nager et non accompagné dans l'eau ;
 - Ne laissez pas de jouets à proximité et dans le bassin qui n'est pas surveillé ;
 - Maintenez en permanence une eau limpide et saine ;
 - Stockez les produits de traitement d'eau hors de la portée des enfants ;
- 9). Prévoyez :
- Téléphone accessible près du bassin pour ne pas laisser vos enfants sans surveillance quand vous téléphonez ;
 - Bouée et perche à proximité du bassin ;
- 10). Par ailleurs, certains équipements peuvent contribuer à la sécurité :
- Barrière de protection dont le portail sera constamment maintenu fermé (par exemple une haie ne peut être considérée comme une barrière) ;
 - Couverture de protection manuelle ou automatique correctement mise en place et fixée ;
 - Détecteur électronique de passage ou de chute, en service et opérationnel ;
- mais ils ne remplacent en aucun cas une surveillance rapprochée ;
- 11). En cas d'accident :
- Sortez l'enfant de l'eau le plus rapidement possible ;
 - Appelez immédiatement du secours et suivez les conseils qui vous seront donnés ;
 - Remplacez les habits mouillés par des couvertures chaudes ;
- 12). Mémorisez et affichez près de la piscine les numéros de premiers secours :
- Pompiers : (18 pour la France) ;
 - SAMU : (15 pour la France) ;
 - Centre antipoison ;
- 13). Interdire l'accès au bassin en cas de détérioration du ou des système(s) de filtration :
- 14). Ne pas plonger ;
- 15). Ne pas marcher sur la margelle ;
- 16). Avertissement : Ne mettez jamais la piscine vide à l'air libre.

EMPÊCHER LES NOYADES



AVERTISSEMENT

Observez étroitement les enfants qui se trouvent *dans ou à proximité* de cette piscine. Les enfants de moins de 5 ans présentent le risque le plus élevé de noyade.

Restez à l'écart des dispositifs d'évacuation et d'aspiration



AVERTISSEMENT

Vos cheveux, votre corps et vos bijoux peuvent être aspirés dans l'évacuation. Vous pourriez être maintenu sous l'eau et vous noyer !

NE PAS PLONGER !



AVERTISSEMENT

Vous pouvez vous rompre le cou et rester paralysé !

4.0 SÉLECTION DU SITE

AVERTISSEMENT: Les piscines installées sur des surfaces insuffisamment de niveau sont soumises à des fuites, à la formation d'irrégularités, ou à l'effondrement, ce qui peut entraîner des dommages matériels ou des blessures graves pour les personnes à l'intérieur ou autour de la piscine !

AVERTISSEMENT: N'utilisez pas de sable pendant le processus d'installation. S'il apparaît qu'il y a besoin d'utiliser un « agent de nivellement », votre site d'installation est probablement inadapté. **NE PAS RESPECTER CET AVERTISSEMENT PEUT CAUSER DE GRAVES BLESSURES.**

ATTENTION: Veuillez choisir soigneusement votre zone d'installation car la pelouse et la végétation souhaitée sous la toile de sol (le cas échéant) mourra. De plus, essayez d'éviter d'installer la toile de sol (le cas échéant) dans des zones sujettes à des espèces de plantes et de mauvaises herbes agressives, car elles peuvent pousser à travers la toile de sol (le cas échéant).

ATTENTION: La piscine doit être accessible à une prise CA 110 ou 230 V protégée par un disjoncteur différentiel de fuite à la terre (DDFT). La piscine ne doit pas être installée à moins de 3 mètres de la source d'alimentation, mais pas au-delà de la longueur du cordon de la pompe filtrante. En aucun cas une rallonge électrique ne doit être utilisée pour étendre la portée du raccordement.

Il est absolument essentiel de sélectionner un site adapté pour votre piscine AVANT d'essayer de la remplir avec de l'eau. Veuillez sélectionner un site d'installation qui respecte strictement les directives suivantes :

Guide 1. Assurez-vous que la zone est ferme, plane (aucune bosse ou butte de terre) et extrêmement horizontale, avec une déclivité ne dépassant pas 3° de pente en tout point de la zone d'installation.

Guide 2. Assurez-vous que la surface que vous avez choisie pour mettre en place la piscine est complètement exempte de bâtons, de pierres, d'objets tranchants ou d'autres débris étrangers.

Guide 3 . Sélectionnez une zone qui n'est pas directement sous les lignes électriques aériennes ou les arbres. De plus, assurez-vous que la zone d'installation de la piscine ne contient pas de canalisations, de lignes ou de câbles souterrains d'aucune sorte.

Guide 4. Une toile de sol permet de protéger le liner de la piscine des dommages dus aux mauvaises herbes, aux objets pointus et aux débris.

Guide 5. Si possible, choisissez un emplacement ouvert de votre propriété qui est exposé à la lumière directe du soleil. Ceci vous permettra de chauffer votre piscine.

Sol plat, horizontal CORRECT

Sol bosselé, en pente-INCORRECT



5.0 INSTALLER LA PISCINE

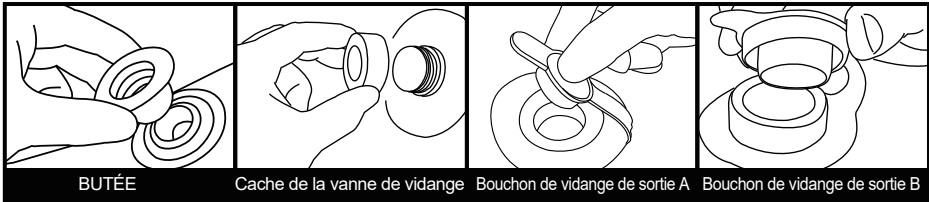
IMPORTANT: Ne commencez pas le montage si des pièces sont manquantes. Pour des pièces de rechange, appelez le numéro de téléphone du Service client dans votre région. Le nombre de personnes nécessaire pour le montage: Au moins 2 personnes. Le temps indicatif de réalisation globale hors préparation du terrain et hors mise en eau: 45 ~60 minutes.

Étape 1. PRISE EN COMPTE DE TOUTES LES PIÈCES.

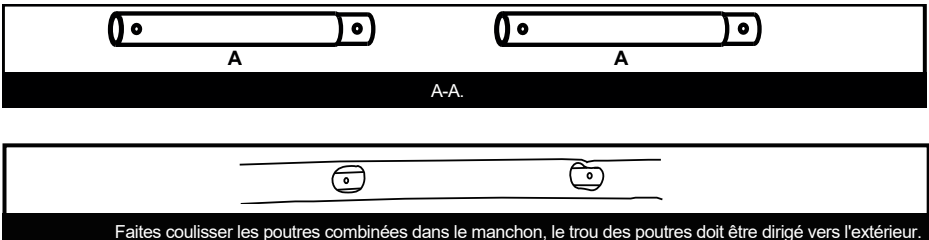
Retirez toutes les pièces du/des carton(s) et placez-les au sol, à l'emplacement où elles doivent être assemblées. Vérifiez chaque pièce selon la « RÉFÉRENCE DES PIÈCES » 1.0. Assurez-vous que toutes les pièces à assembler sont prises en compte.

Étape 2. INSTALLEZ LE CACHE ET LE BOUCHON DES SOUPAPES DE VIDANGE

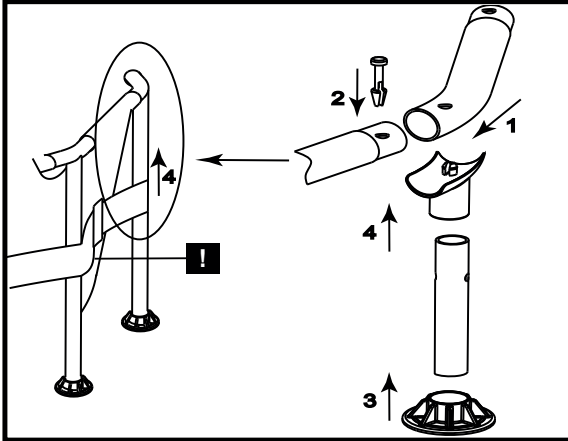
Assurez-vous que le bouchon de vidange extérieur est inséré dans le capuchon de vidange extérieur et que le cache de la soupape de vidange est vissé fermement. Insérez les trous de raccordement avec les bouchons. (Le bouchon de vidange de sortie change en fonction des différentes tailles de piscine.)



Étape 3. INSTALLEZ LA POUTRE HORIZONTALE



Étape 4. INSTALLEZ LE RACCORD EN T



1. Utilisez l'extrémité de connexion du raccord en T pour connecter les tubes horizontaux adjacents.
2. Insérez fermement la broche dans le trou du tube horizontal connecté et du raccord en T.
3. Installez le capuchon du pied vertical sur le pied vertical.
4. Insérez le pied vertical dans le raccord en T à travers la courroie.

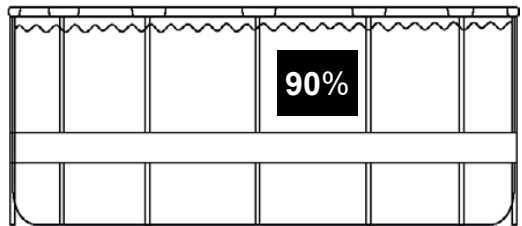
Étape 5. REMPLIR LA PISCINE D'EAU

AVERTISSEMENT: Ne laissez pas la piscine sans surveillance lors de son remplissage d'eau.

AVERTISSEMENT: Si plus d'1 à 2 pouces d'eau s'accumule sur un côté avant que vous ne commenciez à remplir au centre. La piscine n'est pas assez horizontale, ce qui doit être corrigé ! Vous devez retirer le bouchon de vidange, vider complètement l'eau, démonter complètement la piscine, localiser la piscine sur une surface plane et répéter les instructions d'installation.

AVERTISSEMENT: NE REMPLISSEZ PAS TROP car cela pourrait entraîner l'effondrement de la piscine. En cas de pluie importante, vous devrez peut-être vider de l'eau pour vous assurer que le niveau est correct.

5.1. Assurez-vous que le raccord de vidange est solidement inséré et que le capuchon est en place. Commencez à remplir la piscine d'eau. Dès qu'environ 1 pouce d'eau est sur le fond, arrêtez de remplir et lissez les plis sur le fond de la piscine. Retirez la paroi extérieure du bord supérieur, sur tout le fond de la piscine, afin qu'il se remplisse de manière homogène.



5.2. Continuez à remplir la piscine jusqu'à ce que la de niveau d'eau.

6.0 DÉMONTAGE ET STOCKAGE

AVERTISSEMENT: Ne laissez pas vos enfants se tenir sur le pli du bas et face à la sortie de l'eau pendant la vidange. Le courant de l'eau peut emporter vos enfants.

AVERTISSEMENT: La piscine doit être stockée dans un endroit frais et sec, sans objet pointu autour ni objets lourds situés au-dessus, ce qui peut endommager la piscine.

Étape 1. Si vous avez une pompe filtrante, assurez-vous que la source électrique de la pompe filtrante a été débranchée.

Étape 2. Vérifiez que le bouchon de vidange est inséré fermement à l'intérieur de la piscine.

Étape 3. Attachez votre tuyau d'arrosage au connecteur de la soupape de vidange et placez l'autre extrémité du tuyau dans une zone où l'eau peut s'écouler en toute sécurité, telle qu'un collecteur d'eaux pluviales ou un caniveau. N'oubliez pas que vu que l'eau trouve toujours son propre niveau, l'extrémité du tuyau doit être moins élevée que la piscine pour assurer une vidange complète.

Étape 4. Si vous avez une pompe filtrante, insérez le bouchon dans les dispositifs d'entrée et de sortie, à l'intérieur de la piscine, puis débranchez les tuyaux de la pompe filtrante.

Étape 5. Fixez le connecteur de la soupape de vidange à la sortie de vidange en tournant le connecteur dans le sens des aiguilles d'une montre.

Étape 6. Ouvrez le bouchon de vidange à l'intérieur de la piscine et l'eau commence à s'évacuer immédiatement.

Étape 7. Débranchez le tuyau et le connecteur de la soupape de vidange dès que terminé.

Étape 8. Remettez le bouchon de vidange à l'intérieur de la piscine.

Étape 9. Assurez-vous que le liner de la piscine a complètement séché avant de plier la piscine pour un stockage à long terme. Laisser la piscine exposée à la lumière du soleil pendant quelques heures nettoie et accélère le processus de séchage et facilite le pliage de la piscine pour son stockage. (N'essayez jamais de plier ou de ranger une piscine qui n'est pas complètement sèche car cela pourrait entraîner une prolifération de moisissure pendant que la piscine est stockée).

Étape 10. N'oubliez pas qu'un stockage correct hors saison est crucial pour protéger votre investissement dans votre piscine (en particulier en hiver). Une fois vidée et sèche, votre piscine doit être soigneusement pliée et enveloppée dans un tapis de sol (le cas échéant) ou un autre élément de protection similaire de type bâche. La piscine et tous les accessoires applicables tels que la pompe, le couvercle, le tapis de sol, l'échelle, les tuyaux, les brides de fixation et la quincaillerie doivent être conservés ensemble et stockés à l'intérieur, dans un emplacement raisonnablement chaud, sec et résistant à l'eau.

6.1 INSTRUCTIONS DE PLIAGE

Avant le pliage, il est préférable de sécher complètement toutes les pièces et la piscine en les laissant au soleil pendant environ 1 heure (IMG.1). Puis appliquez du talc pour empêcher le vinyle de rester collé.

Étape 1. Veuillez plier les bords de la protrusion à l'intérieur pour obtenir une forme rectangulaire. (PIC. 2).

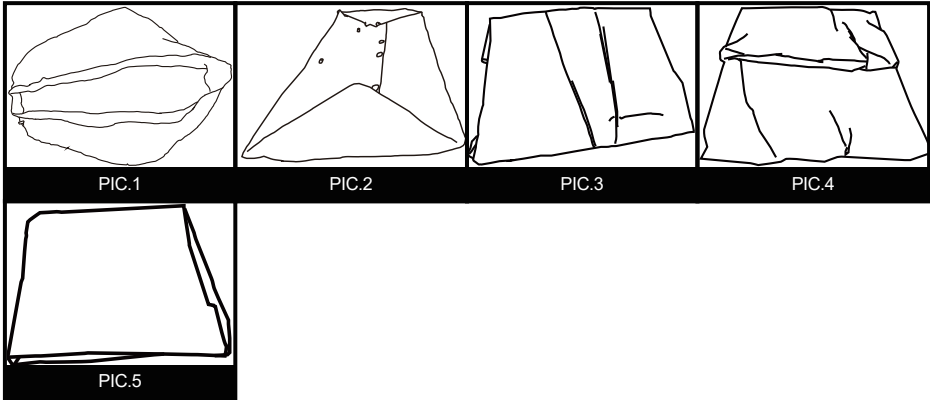
Étape 2. Pliez chaque moitié du rectangle pour obtenir une forme rectangulaire plus petite (PIC. 3).

Étape 3. Pliez chaque extrémité vers l'arrière. (PIC. 4).

Étape 4. Pliez ensemble les extrémités restantes pour créer un dernier rectangle (PIC. 5).

CONSEIL 1. Veuillez retirer l'air à l'intérieur pour rendre la piscine pliée fine et plate lors de chaque pliage.

CONSEIL 2. L'emballage d'origine peut être utilisé pour le stockage.



7.0 MAINTENANCE ET SOIN DE L'EAU

AVERTISSEMENT: Le cas échéant, la pompe filtrante incluse avec votre piscine est conçue pour retirer les saletés et les autres petites particules de l'eau de votre piscine. Cependant, pour maintenir l'eau de la piscine parfaitement claire, exempte d'algues et sans bactérie nocive, il est TRÈS IMPORTANT DE MENER UN RÉGIME CONSTANT DE TRAITEMENT CHIMIQUE. Contactez votre détaillant local de fournitures de piscines pour des conseils sur l'utilisation sûre et efficace du chlore, du choc, de l'algicide et d'autres produits chimiques.

AVERTISSEMENT: Pour éviter une irritation de la peau et des yeux, voire des blessures aux baigneurs, n'ajoutez jamais de produits chimiques dans la piscine pendant qu'elle est occupée. N'ajoutez jamais de produits chimiques ou de substances dans votre piscine si vous ne pouvez pas vérifier la quantité exacte ou le type à ajouter dans l'eau. Consultez un détaillant en fournitures de piscines pour des instructions et des directives spécifiques concernant l'utilisation de produits chimiques dans votre piscine.

AVERTISSEMENT: Il est vivement recommandé que les propriétaires de piscine testent fréquemment l'eau de leur piscine pour s'assurer que le pH et la concentration en chlore de l'eau sont optimaux pour une baignade sûre et agréable pendant toute la saison. Veuillez consulter votre détaillant en fournitures de piscines pour obtenir un kit d'essai adapté et des instructions sur son utilisation.

AVERTISSEMENT: Le non-respect des consignes d'entretien peut engendrer des risques graves pour la santé, notamment celle des enfants.

Ce produit est conçu pour être une piscine saisonnière stockable. Si vous habitez dans une zone tempérée où la piscine ne sera pas utilisée toute l'année, il est **FORTEMENT RECOMMANDÉ** de vider votre piscine, de la nettoyer et de la sécher minutieusement et de le stocker dans un endroit protégé hors saison. Cela permettra de prolonger la durée de vie de votre piscine et d'éviter qu'un danger ne se développe alors que la piscine n'est pas en cours d'utilisation. Pendant la saison d'utilisation du kit de piscine, le système de filtration (le cas échéant) doit être mis en service tous les jours, suffisamment longtemps pour garantir au moins un renouvellement complet du volume d'eau.

Afin de conserver l'eau de votre piscine propre et hygiénique pendant toute la saison, veuillez respecter étroitement les directives suivantes :

1. HL'utilisation appropriée et suivie de produits chimiques de base pour piscines est nécessaire pour maintenir l'équilibre de pH approprié dans l'eau de votre piscine. De plus, l'application de produits chimiques permet d'empêcher le développement de bactéries nocives ou d'algues dans votre piscine et aide votre pompe filtrante à conserver votre eau cristalline. Les produits chimiques pouvant être nécessaires pour votre piscine comprennent mais ne sont pas limités à :

1) Chlore en tablettes, en granulés ou liquide : Désinfecte l'eau de la piscine et neutralise le développement des algues.

2) Produits chimiques d'ajustement du pH : Ils sont utilisés pour corriger le niveau du pH et rendre l'eau plus ou moins acide.

3) Algicides : Ces produits chimiques sont formulés pour retirer les algues.

4) « Choc » (Super chlorinateur) : Élimine certains composants organiques et d'autres combinaisons pouvant affecter la clarté de l'eau.

Afin d'obtenir des détails spécifiques sur l'utilisation des produits chimiques, veuillez consulter un détaillant local de fournitures de piscines et lui fournir le volume d'eau spécifique de votre piscine et, si souhaité, un échantillon de l'eau de votre piscine. Ceci lui permettra de vous renseigner correctement sur : 1) quels produits chimiques acheter, 2) quelles quantités de produits chimiques acheter et 3) comment utiliser des produits chimiques spécifiques en toute sécurité et efficacement.

2. Ne laissez jamais le chlore entrer en contact direct avec le liner de la piscine jusqu'à ce qu'il se soit complètement dissous. Cela signifie que le chlore en granulés ou en tablettes est d'abord dissous dans un seau d'eau avant de l'appliquer à l'eau de la piscine, de même, le chlore liquide est versé lentement et régulièrement dans l'eau de la piscine depuis de nombreux emplacements autour du périmètre de la piscine.

DANGER : N'ajoutez JAMAIS de l'eau à des produits chimiques. À LA PLACE, ajoutez toujours les produits chimiques à l'eau. De même, ne mélangez jamais des produits chimiques séparés ensemble, ajoutez plutôt les produits chimiques séparément dans la piscine et laissez-les circuler dans toute la piscine avant d'ajouter des types

supplémentaires de produits chimiques.

3. Nous vous recommandons d'acheter un kit de test et de tester fréquemment l'eau de votre piscine pour vous assurer que l'équilibre de votre pH et les niveaux de chlore sont optimaux. Votre détaillant local de fournitures de piscines peut fournir des informations sur l'achat et l'utilisation du kit de test le plus adapté à vos besoins.

REMARQUE : Les niveaux excessifs de chlore ou les niveaux faibles (acides) de pH peuvent endommager le liner de votre piscine, veuillez donc prendre des actions correctives dès que possible si le test indique l'un des deux états. Les tâches de retrait des débris plus importants de votre piscine et de maintenir l'intérieur du liner de votre piscine propre sont simplifiées par l'utilisation d'un Kit de maintenance de piscine Prompt Set, qui comprend une écumoire à feuilles et un aspirateur alimenté par le tuyau d'arrosage. Les Kits de maintenance sont inclus en tant qu'élément en supplément dans les systèmes de piscines de plus grandes dimensions, et peuvent également être achetés séparément en tant qu'accessoires. Veuillez contacter votre centre local de service après-vente si vous souhaitez des conseils sur les réparations pendant le cycle de vie du kit de piscine.

4. Le cas échéant, vérifiez la cartouche de votre pompe filtrante toutes les deux semaines (ou plus fréquemment pendant les périodes d'utilisation intensive) pour vérifier si elle doit être nettoyée ou remplacée. Si votre cartouche ne présente plus une couleur blanche, essayez de la nettoyer en la pulvérisant avec un jet d'eau fort à l'aide de votre robinet d'arrosage. Si votre cartouche ne peut pas être nettoyée de cette façon, elle doit être remplacée. Ne pas nettoyer et / ou remplacer fréquemment vos cartouches affecte l'efficacité de votre pompe filtrante et peut réduire sa durée de vie.

5 Si votre système de piscine comprend un couvercle, essayez de conserver votre piscine couverte à tout moment quand elle n'est pas utilisée. Ceci permet d'empêcher le vent et les autres éléments de déposer des saletés et des débris dans votre piscine, et empêche également l'eau de pluie en excès de trop remplir votre piscine.

6. Rappelez à votre famille et à vos amis de toujours arroser au tuyau ou de rincer les saletés ou l'huile solaire de leurs mains, leurs pieds et leur corps avant d'accéder à la piscine.

7. Il est nécessaire de contrôler les boulons et la quincaillerie de la piscine (par ex. tache de rouille) dès que possible.

8. Une fois que votre piscine a été remplie d'eau pour la saison, notez si votre piscine devient trop remplie en raison de l'eau de pluie ou d'un remplissage trop important accidentel. Si cela se produit, il est important de vidanger ou de vider l'excès d'eau dès que possible. S'il s'agit d'une piscine à anneau gonflable, le niveau d'eau ne doit jamais être supérieur au bord inférieur de l'anneau gonflable.

8.0 DÉPANNAGE

PROBLÈME	DESCRIPTION	CAUSE	REMÈDE
EAU COLORÉE	<ul style="list-style-type: none"> L'eau devient bleue, marron ou noire lorsqu'elle est traitée pour la première fois avec du chlore. 	<ul style="list-style-type: none"> Le chlore oxyde les éléments minéraux dans votre eau. Ceci se produit couramment avec de l'eau de plusieurs sources. 	<ul style="list-style-type: none"> Ajustez le pH au niveau recommandé. Faites fonctionner le filtre jusqu'à ce que l'eau soit claire. Nettoyez régulièrement la cartouche.
PARTICULES EN SUSPENSION DANS L'EAU	<ul style="list-style-type: none"> L'eau a un aspect « laiteux » or sombre. 	<ul style="list-style-type: none"> « Eau calcaire » en raison d'un pH élevé. La chloration n'est pas adéquate. Débris étrangers dans l'eau. Les baigneurs ne nettoient pas leurs pieds avant d'entrer dans la piscine. 	<ul style="list-style-type: none"> Ajustez le pH. Identifiez avec un détaillant de fournitures de piscines le traitement d'eau correct. Assurez le niveau approprié de chlore. Nettoyez ou remplacez votre filtre. Retirez la saleté en pulvérisant avec un tuyau à haute pression avant d'entrer.
FAIBLE NIVEAU D'EAU PERSISTANT	<ul style="list-style-type: none"> Il apparaît que la piscine perd de l'eau quotidiennement. 	<ul style="list-style-type: none"> Déchirure ou trou dans le liner de la piscine. Déchirure ou trou dans un tuyau de pompe filtrante. Les colliers de serrage du tuyau sont trop desserrés. Évaporation en raison des températures élevées en été. 	<ul style="list-style-type: none"> Localisez le dommage et réparez-le avec le kit de réparation inclus. Réparez ou remplacez les tuyaux. Serrez tous les colliers de serrage des tuyaux. Maintenez la piscine couverte quand elle n'est pas utilisée.
ALGUES	<ul style="list-style-type: none"> L'eau a une teinte verdâtre. Des taches vertes, marron ou noires apparaissent sur le liner de la piscine. Le fond de la piscine est glissant et/ou une odeur désagréable est présente. 	<ul style="list-style-type: none"> Des algues sont présentes. 	<ul style="list-style-type: none"> Appliquez le traitement « choc » (super chlorinateur). Vérifiez le pH et ajustez-le à un niveau approprié selon votre détaillant local de fournitures de piscines. Passez l'aspirateur ou frottez légèrement le liner de la piscine. Testez régulièrement l'eau pour maintenir des niveaux de chlore appropriés.
L'EAU DE LA PISCINE EST FROIDE	<ul style="list-style-type: none"> L'eau ne se réchauffe pas à une température de baignade confortable. 	<ul style="list-style-type: none"> La piscine a été installée dans une zone excessivement ombragée ou bordée d'arbres. La chaleur s'échappe de l'eau de la piscine. 	<ul style="list-style-type: none"> Déplacez la piscine dans un endroit plus ouvert où elle pourra bénéficier d'une exposition maximale à la lumière du soleil pendant les heures de pic de lumière du soleil. Maintenez votre piscine couverte quand elle n'est pas utilisée.

9.0 GARANTIE LIMITÉE

Nous garantissons tous les composants contenus dans cette piscine (à l'exception de l'unité de pompe filtrante) contre les défauts de matières et de fabrication dans le cadre d'une utilisation normale, pour une période de 90 jours à compter de la date d'achat pour le propriétaire initial uniquement.

Si certains des composants ont été remplacés, endommagés ou mal utilisés par le consommateur, la garantie correspondant à ces composants est invalidée. Dans cette situation, vous êtes tenu informé du coût des pièces de rechange et des frais de traitement.

Si un défaut de fabrication vérifiable est détecté au cours de la période appropriée, nous nous engageons à réparer ou à remplacer, à notre discrétion, tout produit sous garantie pourvu qu'une preuve d'achat adéquate ait été présentée.

Cette garantie limitée n'est pas valide si le produit est utilisé à des fins commerciales, ou si le dommage est causé par un accident, une catastrophe naturelle, une utilisation abusive du consommateur, une négligence ou des mauvais traitements, des actes de vandalisme, une mauvaise utilisation de produits chimiques, une exposition à des conditions météorologiques extrêmes ou une négligence au cours de la mise en place ou du démontage du produit.

Nous ne pouvons pas être tenus responsables des frais d'installation, de main d'œuvre ou de transport, engagés en raison du remplacement des pièces défectueuses. Cette garantie limitée, en outre, ne couvre pas les modifications non autorisées du produit.

2.0 Introducción

¡Enhorabuena por la compra de su Piscina de EXIT Toys!

Divertirse, vivir una vida activa y jugar al aire libre ...

Esa es nuestra motivación para desarrollar juguetes innovadores y de calidad para niños geniales.

Estamos comprometidos con el desarrollo de productos que sean seguros para los niños. Dado que nuestros productos están clasificados como juguetes, cumplimos con los más altos estándares de seguridad para el consumidor. Antes de lanzar un producto al mercado, realizamos pruebas independientes para los certificados requeridos. También realizamos controles continuos durante la producción y regularmente realizamos nuevas pruebas independientes como un control adicional. Solo los productos que cumplen con los estándares más estrictos de EXIT Toys reciben la marca EXIT Toys.

Apreciamos que sea nuestro cliente y le agradecemos su confianza en este producto. Estamos seguros de que sus hijos disfrutarán de este producto tanto como nosotros mientras lo desarrollamos. Porque estamos abiertos a su opinión, sus comentarios e ideas son siempre bienvenidos para que podamos mejorar nuestros productos y desarrollar otros nuevos. No dude en contactarnos en info@exittoys.com.

Visite el mundo de EXIT Toys en www.exittoys.com y descubra nuestros otros productos nuevos y geniales para jugar al aire libre.

El equipo de EXIT Toys

3.0 Instrucciones de seguridad



¡Atención! Lea atentamente, comprenda y siga toda la información de este manual del usuario antes de instalar y utilizar la piscina. Estas advertencias, instrucciones e indicaciones de seguridad tratan sobre algunos riesgos comunes que supone la diversión en el agua, pero no se pueden abarcar todos los riesgos y peligros en todos los casos. Extremar las precauciones y utilice el sentido común y el buen juicio en todo momento cuando disfrute de cualquier actividad en el agua. Conserve esta información para utilizarla como referencia en el futuro.

Seguridad para los que no saben nadar

- 1) Es necesario que en todo momento una persona adulta vigile de forma continua y activa a los nadadores poco experimentados y a las personas que no saben nadar (recuerde que los niños menores de cinco años están sometidos a un alto riesgo de ahogamiento);
- 2) Designe a una persona adulta competente para que vigile la piscina en cada momento que se utilice;
- 3) Los nadadores poco experimentados o las personas que no saben nadar deben utilizar un equipo de protección personal cuando utilicen la piscina;
- 4) Cuando la piscina no se utilice o no esté supervisada, retire todos los juguetes de la misma y de sus alrededores para evitar que los niños se sientan atraídos hacia ella.

Dispositivo de seguridad

- 1) Es recomendable instalar una barrera (y proteger todas las puertas y ventanas donde proceda) para evitar el acceso no autorizado a la piscina;
- 2) Las barreras, las fundas de piscina, las alarmas de piscina o dispositivos de seguridad similares son ayudas útiles, pero no eliminan la necesidad de la supervisión continua y competente por un adulto.

Equipo de seguridad

- 1) Es recomendable disponer de un equipo de rescate (anillo flotante) en la piscina;
- 2) Tenga un teléfono operativo y una lista de números de teléfono de emergencia cerca de la piscina.

Uso seguro de la piscina

- 1) Anime a todos los usuarios, especialmente a los niños, a que aprendan a nadar;
- 2) Aprenda las nociones de soporte vital básico (reanimación cardiopulmonar - RCP) y recuerde estos conocimientos con frecuencia. Esto puede ser la diferencia entre la vida y la muerte en caso de emergencia;
- 3) Dé instrucciones a todos los usuarios de la piscina, incluidos los niños, sobre lo que tienen que hacer en caso de emergencia;
- 4) Nunca bucee en aguas poco profundas. Si no sigue esta recomendación, se pueden producir lesiones graves o, incluso, la muerte;
- 5) No utilice la piscina si toma alcohol o medicamentos que puedan reducir su capacidad para usar de forma segura la piscina;
- 6) Cuando se utilicen fundas de piscina, retírelas completamente de la superficie del agua antes de entrar en dicha piscina;
- 7) Proteja a los ocupantes de la piscina de enfermedades relacionadas con el agua manteniendo el agua de dicha piscina tratada y practicando buena higiene. Consulte las indicaciones de tratamiento del agua en el manual del usuario;
- 8) Almacene los productos químicos (como productos para tratamiento, limpieza y desinfección del agua) fuera del alcance de los niños.
- 9) Utilice la señalización tal y como se describe a continuación;

10) Las escalerillas retirables se deben colocar en una superficie horizontal.

11) Advertencia: Los exteriores de una piscina vacía pueden dar lugar a riesgos desconocidos.

ATENCIÓN: El montaje lo debe realizar un adulto.

ATENCIÓN: El uso del kit de piscina implica el respeto de las consignas de seguridad que se describen en la guía de mantenimiento y de manejo. El incumplimiento de las consignas de mantenimiento y de manejo puede provocar peligros graves para la salud, en particular, la de los niños.

ATENCIÓN: Solo para uso doméstico en exteriores.

ATENCIÓN: Riesgo de ahogamiento. Los niños sufren peligro de ahogamiento incluso a poca profundidad.

ATENCIÓN: Vacíe la piscina cuando no se use. No deje una piscina vacía en el exterior.

ATENCIÓN: Mantener vigilados a los niños en un entorno acuático.

ATENCIÓN: No zambullirse

Este letrero de seguridad debe colocarse en una posición bien visible a una distancia de 2 metros de la piscina. Alternativamente, puede comprar un pegamento con base de vinilo (no incluido) para pegar el letrero en la pared de la piscina junto al punto de entrada y salida, asegurándose de que todos los usuarios lo pueden ver perfectamente cuando se acerquen a la piscina.



4.0 SELECCIÓN DE LA UBICACIÓN

ADVERTENCIA: Las piscinas instaladas sobre superficies que no sean lo suficientemente lisas pueden perder agua, ser irregulares o desmoronarse, lo que puede producir daños materiales o personales graves en la zona de la piscina o cerca de ella.

ADVERTENCIA: No utilice arena durante el proceso de montaje. Si parece necesario utilizar un agente nivelador, es probable que el lugar elegido para montar la piscina no sea adecuado. SI SE IGNORA ESTA ADVERTENCIA SE PODRÍAN PRODUCIR GRAVES DAÑOS PERSONALES.

PRECAUCIÓN: Elija cuidadosamente la zona en la que va a montar su piscina, pues tanto el césped como cualquier otro tipo de vegetación morirá bajo la tela de fondo (si procede). También debe evitar colocar la tela de fondo (si procede) en zonas en las que proliferen las plantas y las hierbas, pues podrían traspasar dicha tela al crecer.

PRECAUCIÓN: Desde la piscina debe poder accederse a una toma de CA de 110 o 230 voltios protegida por un interruptor diferencial de fuga a tierra. La piscina no debe estar situada a menos de 2 m de la fuente de alimentación, pero tampoco más lejos de lo que mida el cable de la bomba del filtro. En ningún caso debe utilizarse un alargador para realizar la conexión.

Es absolutamente imprescindible elegir un emplazamiento adecuado para su piscina ANTES DE intentar llenarla de agua. Para montar la piscina, elija un emplazamiento que se ajuste rigurosamente a las siguientes pautas:

Pauta 1. Asegúrese de que la zona sea firme, plana (sin baches ni montículos) y muy lisa, con una pendiente que no supere el 3 por ciento en ningún punto de la zona en la que se va a montar la piscina.

Pauta 2. Asegúrese de que en la zona que ha seleccionado para montar la piscina no haya palos, piedras, objetos afilados ni ninguna otra sustancia extraña.

Pauta 3. Seleccione una zona que no esté justo debajo de cables del tendido eléctrico ni de árboles. También debe asegurarse de que bajo la zona en la que va a montar la piscina no haya tuberías, líneas, cables ni conducciones de ningún tipo.

Pauta 4. Si el kit de su piscina incluye una tela de fondo, recomendamos encarecidamente su utilización. La tela de fondo contribuirá a proteger el forro de la piscina de los daños que puedan causar el crecimiento de la hierba, los objetos afilados y la suciedad.

Pauta 5. Si es posible, elija dentro de su propiedad una zona abierta que reciba la luz del sol directamente. Esto contribuirá a templar el agua de su piscina.

Superficie plana y nivelada
- CORRECTO

Superficie desnivelada, inclinada -
INCORRECTO



5.0 INSTALAR LA PISCINA

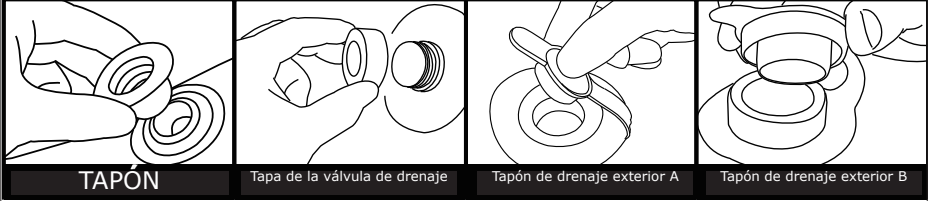
IMPORTANTE: No comience a montar la piscina si falta alguna pieza. Para cambiar las piezas, llame al número de teléfono de servicio de atención al cliente de su zona. Número de personas necesarias para la instalación: al menos 2 adultos. Tiempo de instalación total, sin contar el tiempo necesario para preparar el emplazamiento y el llenado con agua: 45 minutos

PASO 1. CUENTA PARA TODAS LAS PIEZAS.

Saque todas las piezas de las cajas de cartón y colóquelas en el suelo en el lugar donde se van a montar. Compruebe cada pieza conforme a la sección "REFERENCIA DE LAS PIEZAS". Asegúrese de que todas las piezas que se van a montar están presentes.

PASO 2. INSTALAR LA TAPA Y EL TAPÓN DE LAS VÁLVULAS DE DRENAJE

Asegúrese de que el tapón de drenaje exterior esté insertado en la tapa de drenaje exterior y que la tapa de la válvula de drenaje está atornillada firmemente. Tape los orificios de unión con los taponos. (El tapón de drenaje de salida cambia según sea el tamaño de la piscina.)



TAPÓN

Tapa de la válvula de drenaje

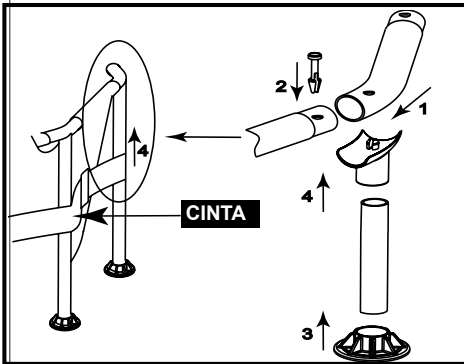
Tapón de drenaje exterior A

Tapón de drenaje exterior B

PASO 3. INSTALAR EL LARGUERO HORIZONTAL



PASO 4. INSTALAR LA UNIÓN EN T



1. Utilice el extremo de la conexión de la unión en T para unir los tubos horizontales adyacentes.
2. Inserte el pasador en el orificio del tubo horizontal unido y la unión en T firmemente.
3. Instale la tapa de la pata vertical en dicha pata.
4. Inserte la pata vertical en la unión en T a través de la cinta.

SUGERENCIA: Si no puede encontrar el orificio en el tubo horizontal o en la pata vertical, gire los tubos hasta que el pasador encuentre el orificio.

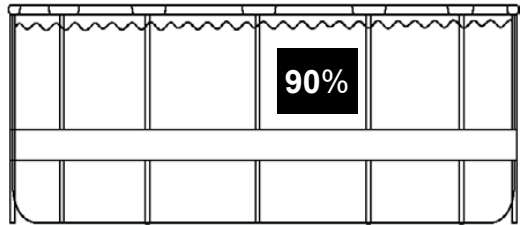
PASO 5. LLENAR LA PISCINA CON AGUA

ADVERTENCIA: No deje la piscina desatendida mientras se llena con agua.

ADVERTENCIA: ¡Si se juntan más de 2,5~5 cm (1~2 pulgadas) de agua en cualquiera de los dos lados antes de que el agua alcance el centro, significa que la piscina no está lo suficientemente nivelada y se debe corregir este problema! Debe extraer el tapón de drenaje, soltar todo el agua, desmontar la piscina completamente, colocar la piscina en una superficie plana y repetir las instrucciones de instalación.

ADVERTENCIA: NO LLENE EN EXCESO la piscina, ya que ésta podría derrumbarse. Cuando llueva intensamente, puede que tenga que vaciar algo de agua para garantizar que el nivel es el correcto.

1. Asegúrese de que los elementos de drenaje están tapados de forma segura y la tapa colocada en su lugar. Comience a llenar la piscina con agua. Después de que se haya acumulado 2,5 cm (1 pulgada) aproximadamente de agua en la parte inferior, detenga el llenado y elimine las arrugas del suelo de la piscina. Tire de la pared exterior hacia fuera desde el borde superior, alrededor de todo el suelo de la piscina, de manera que se llene uniformemente.



2. Continúe llenando la piscina hasta que nivel del agua.

6.0 ALMACENAMIENTO DURANTE EL INVIERNO Y A LARGO PLAZO

ADVERTENCIA: No permita que los niños se sitúen frente a la salida del agua en un plano inferior durante el vaciado de la piscina. La corriente de agua podría arrastrarlos.

ADVERTENCIA: La piscina se debe guardar en lugares frescos y secos, sin objetos punzantes a su alrededor ni objetos pesados sobre ella, ya que, de lo contrario, podría resultar dañada.

Paso 1. Si tiene una bomba con filtro, asegúrese de que la fuente que suministra electricidad a dicha bomba se ha desconectado.

Paso 2. Compruebe que el tapón de drenaje de salida esté bien insertado en la parte interior de la piscina.

Paso 3. Conecte la manguera de su jardín al conector de la válvula de drenaje, situando el otro extremo de la manguera en una zona en la que pueda vaciar el agua con seguridad, como un colector para aguas pluviales o una alcantarilla. Recuerde que, dado que el agua siempre tiende a nivelarse, el extremo de la manguera debe estar situado en un punto menos elevado que la piscina para asegurarse de que ésta se vaciará completamente.

Paso 4. Si tiene una bomba con filtro, inserte el tapón en los elementos de entrada y salida, en el interior de la piscina y, a continuación, desconecte las mangueras de la bomba del filtro.

Paso 5. Una el conector de la válvula de drenaje a la boca de salida girando el adaptador hacia la derecha.

Paso 6. Abra el tapón de drenaje de salida del interior de la piscina y el agua empezará a salir inmediatamente.

Paso 7. Desconecte la manguera y el conector de la válvula de drenaje cuando termine.

Paso 8. Vuelva a colocar el tapón de drenaje de salida en el interior de la piscina.

Paso 9. Asegúrese de que el forro de la piscina esté completamente seco antes de doblar la piscina para almacenarla durante un largo período. Si expone la piscina a la luz del sol durante unas horas se limpiará, se acelerará el proceso de secado y hará

que sea más sencillo doblarla para guardarla. (Nunca intente doblar ni guardar una piscina que no esté completamente seca, pues esto podría provocar la proliferación de moho durante el período de almacenamiento de dicha piscina.)

Paso 10. Recuerde que almacenar correctamente la piscina fuera de temporada (especialmente en invierno) es fundamental para rentabilizar el dinero que ha invertido adquiriendo la piscina. Una vez vaciada y seca, debe doblar cuidadosamente la piscina y envolverla en una tela de fondo (si dispone de una) o en otro material protector similar a un encerado. La piscina y todos sus accesorios, como la bomba, la cubierta, la tela de fondo, la escalera, las mangueras, las abrazaderas y las piezas metálicas, deben guardarse conjuntamente y almacenarse a cubierto, en un lugar templado, seco e impermeable.

6.1 INSTRUCCIONES DE PLEGADO

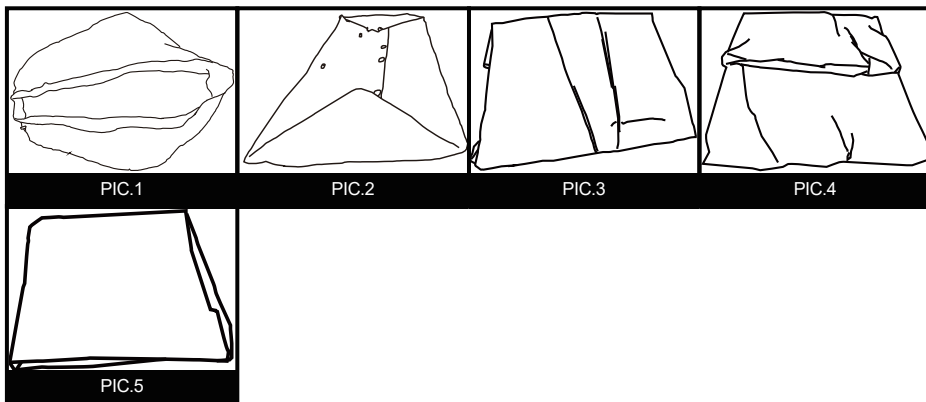
Antes de plegar la piscina, es mejor secar todas las piezas y la propia piscina completamente tendiéndola al sol durante una hora aproximadamente (PIC. 1). Después, esparza polvos de talco para evitar que el vinilo se pegue entre sí.

Paso 1. Pliegue los lados que sobresalen dentro para conseguir una forma rectangular (PIC. 2).

Paso 2. Pliegue cada mitad del rectángulo para conseguir una forma rectangular más pequeña (PIC. 3).

Paso 3. Pliegue cada extremo hacia atrás. (PIC. 4).

Paso 4. Pliegue el resto de los extremos conjuntamente para crear un rectángulo perfecto (PIC. 5).



SUGERENCIAS 1. Extraiga el aire del interior para que la piscina plegada quede fina y plana durante cada pliegue.

SUGERENCIAS 2. Puede utilizar el empaquetado original para el almacenamiento.

7.0 MANTENIMIENTO DE LA PISCINA Y CUIDADO DEL AGUA

ADVERTENCIA: Si procede, la bomba del filtro que incluye su piscina está diseñada para eliminar suciedad y otras pequeñas partículas del agua de dicha piscina. De todos modos, para mantener el agua de la piscina completamente limpia, sin algas y sin bacterias dañinas, es MUY IMPORTANTE REALIZAR SISTEMÁTICAMENTE TRATAMIENTOS QUÍMICOS. Pida consejo a su distribuidor minorista local de piscinas sobre el uso seguro y eficaz de cloro, tratamientos de choque, alguicidas y otros productos químicos similares.

ADVERTENCIA: Para no causar irritación de piel y ojos, o incluso lesiones, a los bañistas, nunca utilice productos químicos en la piscina mientras esté ocupada. Nunca utilice sustancias ni productos químicos en su piscina si no puede comprobar la cantidad o el tipo exactos que debe añadir al agua. Pida recomendaciones e instrucciones específicas sobre el uso de productos químicos en su piscina a un distribuidor minorista de piscinas.

ADVERTENCIA: Se recomienda encarecidamente a los propietarios de piscinas que analicen con frecuencia el agua de sus piscinas para asegurarse de que la concentración de pH y de cloro del agua sea la óptima para poder disfrutar del baño con seguridad durante toda la temporada. Consulte a su distribuidor minorista de piscinas para encontrar un kit de análisis adecuado y conocer sus instrucciones de uso.

ADVERTENCIA: El hecho de no seguir las normas de mantenimiento puede entrañar graves riesgos para la salud, especialmente para la de los niños.

Este producto está diseñado para poder guardarse fuera de temporada. Si vive en una zona templada en la que no va a usar la piscina durante todo el año, le RECOMENDAMOS ENCARECIDAMENTE que vacíe su piscina, la limpie y la seque bien y la almacene en un lugar protegido fuera de temporada. Esto contribuirá a que su piscina dure más tiempo y evitará riesgos para la seguridad cuando dicha piscina no se esté utilizando. Durante la temporada de uso de la piscina, el sistema de filtrado (si procede) se debe poner necesariamente en servicio cada día, durante un tiempo suficientemente largo como para asegurar al menos una renovación completa del volumen de agua.

Para mantener el agua de su piscina limpia y en buenas condiciones de higiene durante toda la temporada, siga cuidadosamente las siguientes recomendaciones:

1. Es necesario utilizar de manera adecuada y sistemática productos químicos básicos para el mantenimiento de un nivel de pH adecuado en el agua de su piscina. Además, la aplicación de productos químicos contribuirá a evitar la proliferación de algas o bacterias dañinas en su piscina, y ayudará a la bomba del filtro a mantener el agua siempre cristalina. Entre otros, su piscina puede necesitar los siguientes productos químicos:

- 1) Cloro sólido, granular o líquido: desinfecta el agua de la piscina e inhibe el crecimiento de algas.
- 2) Productos químicos reguladores del PH: se utilizan para corregir el nivel de PH y

hacer que el agua sea más o menos ácida.

3) Alguicidas: estos productos químicos están pensados para eliminar las algas.

4) Tratamiento de "choque" (supercloración): elimina ciertos compuestos orgánicos y otras combinaciones que pueden enturbiar el agua.

Para obtener información específica sobre el uso de productos químicos, consulte a un distribuidor minorista local de piscinas indicándole el volumen de agua de su piscina y, si lo desea, enviándole una muestra de dicha agua. Esto le permitirá darle instrucciones precisas sobre: 1) qué productos químicos debe adquirir, 2) cuántos productos químicos debe adquirir, y 3) cómo utilizar productos químicos específicos de una manera segura y eficaz.

2. Nunca permita que el cloro entre en contacto con el forro de la piscina hasta que esté completamente disuelto. Esto significa que el cloro granular o sólido debe disolverse en un cubo de agua antes de ser añadido al agua de la piscina y que, del mismo modo, el cloro líquido debe verse lenta y uniformemente en el agua de la piscina desde distintos puntos del perímetro de dicha piscina.

PELIGRO: NUNCA añada agua a los productos químicos. **SIEMPRE** debe añadir los productos químicos al agua. Por otra parte, nunca debe mezclar productos químicos distintos, sino añadirlos al agua por separado y dejar que lleguen a todos los puntos de la piscina antes de añadir otros productos químicos.

3. Le recomendamos que adquiera un kit de análisis y que analice con frecuencia el agua de su piscina para asegurarse de que los niveles de PH y cloro sean óptimos. Su distribuidor minorista local de piscinas puede ofrecerle información sobre la adquisición y uso del kit de análisis que mejor se adapte a sus necesidades. **NOTA:** Un nivel excesivo de cloro o un nivel bajo (ácido) de pH pueden dañar el forro de su piscina, por lo que debe corregirlos lo antes posible si los análisis revelan cualquiera de estas dos situaciones. Las tareas de eliminación de la suciedad más importante de su piscina y de mantenimiento de la limpieza del interior del forro de la misma se simplifican utilizando un kit de mantenimiento de la piscina Prompt Set, que incluye un utensilio para recoger las hojas y un limpiafondos que funciona con la piscina de su jardín. Los kits de mantenimiento se incluyen como ventaja adicional en los sistemas de piscinas más grandes, y también pueden adquirirse por separado como accesorio. Póngase en contacto con el centro de servicio posventa local si necesita información sobre cualquier reparación durante el período de servicio de la piscina

4. Si procede, revise el cartucho de la bomba del filtro cada dos semanas (o con más frecuencia en los períodos en los que se utilice mucho la piscina) para comprobar si necesita ser limpiado o sustituido. Si el cartucho ya no es blanco, intente limpiarlo con un fuerte chorro de agua de la manguera de su jardín. Si no puede limpiar el cartucho así, debe sustituirlo. Si no limpia o sustituye con frecuencia los cartuchos se resentirá la eficacia de la bomba del filtro, y su vida útil podría reducirse.

5 Si en el sistema de su piscina se incluye una cubierta, intente tener la piscina cubierta siempre que no la esté utilizando. Esto contribuirá a impedir que el viento y otros elementos depositen suciedad y partículas en su piscina, y también evitará que el exceso de agua de lluvia la llene demasiado.

6. Recuerde a sus familiares y amigos que siempre deben eliminar la suciedad o el bronceador lavándose las manos, los pies y el cuerpo antes de entrar en la piscina.

7. Es necesario supervisar los tornillos y elementos físicos de la piscina (en busca de manchas de óxido, por ejemplo) cuando sea posible.

8. Tras llenar su piscina de agua para toda la temporada, compruebe que

no se llene demasiado por el agua de lluvia o por accidente. Si esto sucede, es importante eliminar o achicar el exceso de agua lo antes posible. Si se trata de una piscina en anillo inflable, el nivel de agua nunca debe ser superior al borde inferior del anillo inflable.

9. Independientemente de los materiales que se utilicen para construir la piscina, las superficies accesibles deben controlarse regularmente para evitar las heridas.

8.0 SOLUCIÓN DE PROBLEMAS

Instrucciones para el parche de reparación

(Pequeños agujeros de alfiler y pequeñas fugas pueden repararse con el parche de reparación incluido)

- a) Localice el lugar de la fuga.
 - b) Desinfle el aire
 - c) Limpie el área que rodea la fuga y limpie toda el agua de la superficie.
 - d) Saque el parche de reparación, córtelo en la forma y el tamaño requeridos, que debe ser más grande que el área de la fuga coloque el parche en el área de la fuga y presione con fuerza.
 - e) Espere 30 minutos para que el lugar reparado se seque al aire libre.
- Si el daño es demasiado grande, recomendamos utilizar un pegamento a base de silicona o caucho para repararlo.

Instrucciones para el pegamento de reparación

- 1 Localice el lugar de la fuga.
- 2 Desinfle (si es necesario) y vacíe completamente.
- 3 Limpie el área que rodea la fuga y limpie toda el agua de la superficie.
- 4 Limpie a fondo el área que rodea la fuga. Corte una pieza de material de reparación en forma redonda, que debe ser más grande que la zona dañada.
- 5 Pegando (es necesario comprar adhesivo por separado) un lado del parche del material en el área de reparación. Tenga en cuenta que es necesario aplicar el parche del material de manera uniforme.
- 6 Coloque el parche en el área dañada y presione firmemente. Espere 12 horas para que se seque. Después de que el parche se haya secado, aplique pegamento alrededor de los bordes para un sellado completo (seque durante 4 horas) de almacenamiento en la piscina.

PROBLEMA	DESCRIPCIÓN	CAUSA	SOLUCIÓN
LA PISCINA LLENA NO ES REDONDA	<ul style="list-style-type: none"> • La piscina es ovalada o rectangular, o se parece a un huevo. • La piscina parece inclinarse hacia un lado o la profundidad del agua de la piscina no es uniforme. 	<ul style="list-style-type: none"> • Las arrugas de la parte inferior del forro no se estiraron correctamente antes de llenar la piscina. • Las paredes laterales no se desplegaron correctamente cuando se llenó la piscina, lo que provocó que la circunferencia formada por el aro superior quede por fuera de la formada por las paredes laterales de la piscina. • La piscina está situada sobre una superficie desigual o inclinada. 	<ul style="list-style-type: none"> • Vacíe la piscina hasta que queden solamente unos 2,5 cm (1 pulgada) de agua y, a continuación, estire todas las arrugas que pueda. • Vacíe la piscina hasta que queden solamente unos 2,5 cm (1 pulgada) de agua y, a continuación, despliegue las paredes laterales hasta que queden por fuera de la circunferencia formada por el aro superior. • Asegúrese de que la superficie sobre la que está situada la piscina sea muy plana y lisa y de que no tenga montículos.
EL AGUA TIENE COLOR	<ul style="list-style-type: none"> • El agua se pone de color azul, marrón o negro la primera vez que se trata con cloro. 	<ul style="list-style-type: none"> • El cloro está oxidando ciertos minerales del agua. Esto suele ocurrir con agua de distintos orígenes. 	<ul style="list-style-type: none"> • Regule el pH para que tenga el nivel recomendado. • Filtre el agua hasta que esté limpia. • Limpie el cartucho con regularidad.
HAY PARTÍCULAS FLOTANDO EN EL AGUA	<ul style="list-style-type: none"> • El agua parece leche o está turbia. 	<ul style="list-style-type: none"> • Agua dura originada por un pH elevado. • La cloración no es correcta. • Sustancias extrañas en el agua. • Los bañistas no se lavan los pies antes de entrar en la piscina. 	<ul style="list-style-type: none"> • Regule el pH. Pregunte a un distribuidor minorista de piscinas cuál es la forma correcta de tratar el agua. • Asegúrese de que el nivel de cloro sea el correcto. • Limpie o sustituya el filtro. • Disperse la suciedad con una manguera de alta presión antes de entrar en la piscina.
CONTINUO NIVEL BAJO DE AGUA	<ul style="list-style-type: none"> • La piscina parece perder agua todos los días. 	<ul style="list-style-type: none"> • Rotura u orificio en el forro de la piscina. • Rotura u orificio en una de las mangueras de la bomba del filtro. • Las abrazaderas de las mangueras están demasiado flojas. • Evaporación debida a altas temperaturas en el verano. 	<ul style="list-style-type: none"> • Localice la zona dañada y repárela con el kit de parches incluido. • Repare o sustituya las mangueras. • Apriete todas las abrazaderas de las mangueras. • Mantenga cubierta la piscina cuando no la esté utilizando.
ALGAS	<ul style="list-style-type: none"> • El agua tiene un tono verdoso. • Hay manchas verdes, marrones o negras en el forro de la piscina. • El fondo de la piscina resbala o hay un olor desagradable. 	<ul style="list-style-type: none"> • Hay algas. 	<ul style="list-style-type: none"> • Aplique un tratamiento de choque (supercloración). Compruebe el nivel del pH y regúlelo para que sea el indicado por su distribuidor minorista local de piscinas. • Pase el limpiafondos por el forro de la piscina o fríéguelo con cuidado. • Analice el agua con frecuencia para mantener unos niveles de cloro adecuados.
EL AGUA DE LA PISCINA ESTÁ FRÍA	<ul style="list-style-type: none"> • El agua no alcanza una temperatura agradable para nadar en ella. 	<ul style="list-style-type: none"> • La piscina se ha montado en una zona demasiado sombría o arbolada. • El agua de la piscina pierde calor. 	<ul style="list-style-type: none"> • Coloque la piscina en una zona más abierta, donde pueda tener la mayor exposición al sol posible durante las horas de más luz del día. • Mantenga cubierta la piscina siempre que no la esté utilizando.

9.0 PARTE 9 - GARANTÍA LIMITADA

Si el comprador sustituye, daña o hace un mal uso de alguno de los componentes de esta piscina, la garantía no se aplicará a dichos componentes. En este caso, se le comunicará el coste de las piezas de repuesto y las instrucciones para llevar a cabo el proceso de sustitución.

Si se detecta un defecto de fabricación durante el período indicado, nos comprometemos a reparar o sustituir, según sea el caso, los productos cubiertos por la garantía, siempre y cuando se presente el correspondiente comprobante de compra.

Esta garantía limitada no será válida cuando el producto se utilice con fines comerciales ni cuando el daño se haya producido debido a un accidente, acto de la naturaleza, abuso, abandono o uso incorrecto por parte del comprador, vandalismo, uso inadecuado de productos químicos, exposición a condiciones climáticas extremas o negligencias durante el montaje o desmontaje del producto.

No nos hacemos responsables de los costes de instalación, mano de obra ni transporte derivados de la sustitución de las piezas defectuosas. Además, esta garantía limitada no cubre las modificaciones no autorizadas del producto.

2.0 Introdução

Parabéns por ter adquirido uma Piscina de Superfície da EXIT!

Divirta-se, seja ativo e brinque no exterior...

Isto é o que nos leva a desenvolver brinquedos inovadores e de qualidade para crianças e pais cool. Fazemos todos os possíveis para desenvolver produtos seguros para as crianças. Como os nossos produtos são classificados como brinquedos, estamos em conformidade com os regulamentos de segurança do consumidor mais exigentes. Antes de lançar os nossos produtos no mercado, realizamos testes independentes para certificação. Testamos também de forma contínua as nossas execuções de produção e executamos, periodicamente, testes independentes pela segunda vez como uma verificação adicional. Somente os produtos que atendem aos mais altos padrões da EXIT Toys são marcados e reconhecidos pela marca EXIT. "Queremos agradecer a sua preferência e a sua confiança neste produto. Temos certeza de que os seus filhos se irão divertir tanto como nós durante o desenvolvimento. Tendo a mente aberta, agradecemos verdadeiramente todos os comentários e ideias que nos possam ajudar a melhorar os nossos produtos ou desenvolver novos. Convidamo-lo a enviar as suas ideias para info@exittoys.com" Por favor, visite www.exittoys.com e descubra mais produtos novos interessantes. A Equipa EXIT Toys

3.0 Antes de montar e usar o produto.



AVISO: Para aumentar a diversão na sua piscina e proteger a segurança de quem está no seu interior e à volta da piscina, **OBSERVE SEMPRE ESTRITAMENTE as seguintes instruções de segurança e manutenção:**

AVISO: Para aumentar a diversão na sua piscina e proteger a segurança de quem está no seu interior e à volta da piscina, **OBSERVE SEMPRE ESTRITAMENTE** as seguintes instruções de segurança e manutenção:

1). É responsabilidade do proprietário da piscina identificar e obedecer a todas as leis locais e estatais relativas à segurança da piscina de superfície ANTES de a configurar ou usar. Estas incluem, mas não estão limitadas, leis sobre: decks, cercas, barreiras, coberturas, escadas de piscina, iluminação e equipamentos de segurança necessários. Consulte as autoridades locais para garantir a conformidade.

2). Não permitir Crianças sem supervisão na piscina. Certifique-se sempre de que pelo menos um adulto responsável está a SUPERVISIONAR todas as Crianças e todos os que não sabem nadar, O TEMPO TODO. Nunca nade/tome banho sozinho na piscina.

3). NUNCA permita mergulhos ou saltos na piscina. Nunca entre na piscina utilizando decks ou outras superfícies elevadas. O nível da água na sua piscina é extremamente baixo e não é adequado para estas atividades. O não cumprimento destas instruções pode resultar em ferimentos graves ou até mesmo a morte.

4). Não permita que crianças ou adultos se envolvam em qualquer tipo de desportos ou atividades agressivas dentro ou à volta da piscina. O não cumprimento destas diretrizes pode resultar em ferimentos graves para as pessoas no interior e à volta da área da piscina.

5). Mantenha sempre o equipamento de segurança da piscina adequado numa área de fácil acesso adjacente à sua piscina. Mantenha à vista os números de telefone de emergência, assim como avisos e regras de segurança (como "Proibido Saltar ou Mergulhar" e "Não Nade Sozinho"). Não permita banhistas na piscina, a menos que a área seja suficientemente clara ou iluminada.

6) Todas as filtrações estão de acordo com a norma de instalação NF C 15-100, em que todos os aparelhos elétricos localizados a 3,50 m do reservatório e com acesso livre devem ter uma voltagem baixa de 12V. Todos os aparelhos elétricos alimentados com 220V devem estar localizados a pelo menos 3,50 metros da beira do tanque. Consulte o fabricante para qualquer alteração de um ou vários elementos do sistema de filtragem. (Para o Mercado Francês)

7). A segurança dos seus filhos depende de si! O risco é maior quando as crianças têm menos de 5 anos. Os acidentes não acontecem apenas aos outros! Esteja pronto para os enfrentar!

8). Assista e aja: - A supervisão das crianças deve ser próxima e constante; - Designe um responsável pela segurança; - Reforce a vigilância quando houver vários utilizadores na piscina; - Ensine os seus filhos a nadar o mais rápido possível; - Molhe o pescoço, braços e pernas antes de entrar na água; - Aprenda primeiros socorros, especialmente aqueles específicos para crianças; - Proíba mergulhos ou saltos em frente às crianças pequenas; - Proíba corridas e jogos violentos à volta da piscina; - Não permita que uma criança que não saiba nadar ou que não esteja acompanhada, aceda à piscina sem um colete salva-vidas; - Não deixe brinquedos perto da piscina sem vigilância; - Mantenha a água limpa e saudável; - Armazene os produtos de tratamento de água fora do alcance das crianças;

9). Planeie: - Mantenha o telefone perto da piscina, não deixe os seus filhos sozinhos quando estiver ao telefone; - Compre e coloque um telefone perto da piscina;

10). Além disso, alguns dispositivos podem contribuir para a segurança: - Barreira cuja porta será mantida constantemente fechada (por exemplo, uma sebe não pode ser considerada uma barreira de proteção); - Tampa manual ou automática devidamente posicionada e proteção devidamente fixada; - Sensor eletrónico para detetar ou queda do serviço e operacional, mas nunca um substituto para uma supervisão próxima;

11). Acidente: - Retire a criança da água o mais rápido possível; - Peça ajuda imediatamente e siga os conselhos que lhe forem dados; - Substitua as roupas molhadas por cobertores quentes;

12) Guarde e veja o número de primeiros socorros na piscina: - Incêndio: (18 em França); (112 na Europa) - EMS/INEM: (15 em França); (112 na Europa) - Centro de Informação Antivenenos; (112 Europa)

13). Proíba o acesso à piscina em caso de deterioração do filtro do(s) sistema(s);

14). Não submerja;

15). Não ande nas pontas;

16). Aviso: Nunca coloque a piscina vazia ao ar livre.

Previna o afogamento. Aviso

Observe atentamente as crianças que estão dentro ou perto desta piscina. As crianças menores de 5 anos correm um maior risco de afogamento.

Fique longe dos ralos e acessórios de sucção. Aviso

O seu cabelo, corpo e joalheria podem ser arrastados para o ralo. Poderia ficar debaixo de água e afogar-se!

Não mergulhe. Aviso

Pode partir o seu pescoço e ficar paralisado.

4.0 Seleção do local

AVISO: Piscinas instaladas em superfícies niveladas de forma inadequada estão sujeitas a vazamentos, formação de irregularidades ou desabamento, o que pode resultar em danos materiais ou ferimentos graves para as pessoas dentro ou à volta da área da piscina!

AVISO: Não use areia durante o processo de instalação. Se parecer que é necessário usar um nivelador, provavelmente o seu local de instalação não é adequado. O **NÃO CUMPRIMENTO DESTES AVISOS PODE RESULTAR EM LESÕES PESSOAIS GRAVES.**

CUIDADO: Escolha a sua área de instalação com cuidado, uma vez que a relva e outra vegetação situada debaixo do oleado (se aplicável) morrerá. Além disso, tente evitar colocar o oleado (se aplicável) em áreas sujeitas a espécies agressivas de plantas e ervas daninhas, pois podem crescer através do oleado (se aplicável).

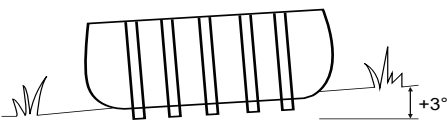
CUIDADO: A piscina deve estar ligada a uma tomada com terra de 110 ou 230 volts protegida por um disjuntor diferencial (GFCI). A piscina não deve ser montada a menos de 10 ft. (304.8cm) da fonte de alimentação, mas não além do comprimento do cabo do sistema de filtragem. Sob nenhuma circunstância deve utilizar uma extensão para aumentar o alcance da conexão.

É absolutamente essencial selecionar um local adequado para a sua piscina **ANTES** de enchê-la com água. Selecione uma área de instalação que esteja estritamente de acordo com as seguintes diretrizes:

Terreno Plano e Nivelado
- CORRETO



Terreno Irregular e Inclinado
- INCORRETO



Guia 1. Certifique-se de que a área é firme, plana (sem saliências ou montes de terra) e extremamente nivelada, com uma inclinação não superior a 3° de declive em qualquer ponto da área de instalação.

Guia 2. Certifique-se de que a área que selecionou para montar a piscina esteja completamente livre de paus, pedras, objetos pontiagudos ou outros detritos estranhos.

Guia 3. Selecione uma área que não esteja diretamente debaixo de cabos elétricos ou árvores. Além disso, certifique-se de que a área de instalação da piscina não contém tubos, linhas ou cabos de qualquer tipo.

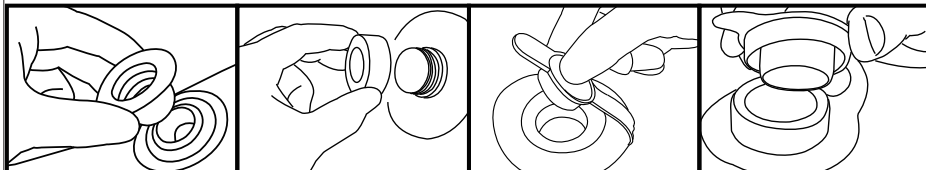
Guia 4. Um oleado ajudará a proteger a lona da piscina contra os danos causados pelo crescimento de ervas daninhas, objetos pontiagudos e detritos.

Guia 5. Se possível, escolha um local aberto na sua propriedade que esteja exposto à luz solar direta. Isto ajudará a aquecer a sua piscina.

5.0 Montar a piscina

IMPORTANTE: Não inicie a montagem se alguma peça estiver em falta. Para peças de substituição, ligue para o número de telefone do Apoio ao Cliente na sua área. O número de pessoas necessárias para a instalação: 2 adultos, no mínimo. Tempo total de instalação, exceto o tempo de preparação do local e enchimento de água: 30 a 45 minutos.

Passo 1. Considere todas as peças. Retire todas as peças da(s) caixa(s) e coloque-as no chão no local onde serão montadas. Verifique cada peça conforme "REFERÊNCIA DA PEÇA" 1.0. Certifique-se de que contabiliza todas as peças a serem montadas.



Passo 2. Instale a tampa das válvulas de drenagem e o tampão. Certifique-se de que a tampa de drenagem externa está inserida no tampão de drenagem externo e que a tampa da válvula de drenagem está bem aparafusada. Tape os orifícios de conexão com os tampões. (A tampa de drenagem exterior muda de acordo com os diferentes tamanhos da piscina.)

Passo 3. Instale as traves horizontais

Deslize as traves combinadas dentro da manga, o orifício das traves deve estar voltado para fora

Passo 4. Instale as juntas em T e a estrutura

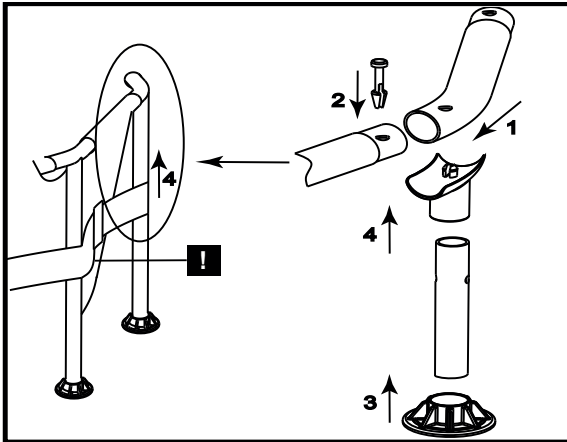
4.1. Use a extremidade de conexão da junta em T para conectar os tubos horizontais adjacentes.

4.2. Insira o Pino no orifício dos tubos conectados

4.3. Instale a tampa da perna vertical na perna vertical.

4.4. Insira a perna vertical na junta em T através da correia.





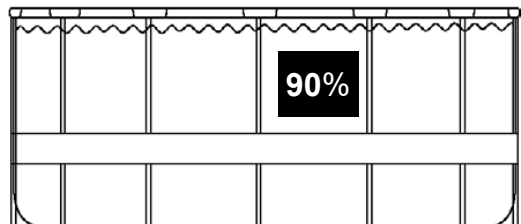
Etapa 5. Encha a piscina **ATENÇÃO:** Não deixe a piscina sem vigilância durante o enchimento com água.

AVISO: Se se acumular mais de 3 ~ 5 cm de água em qualquer parte da piscina antes de começar a encher o centro. A piscina não está nivelada o suficiente e deve ser corrigida! Deve retirar o tampão de drenagem, libertar a água completamente, desmontar a piscina completamente, posicionar a piscina numa superfície plana e repetir as instruções de montagem.

AVISO: NÃO ENCHA EM EXCESSO, pois pode causar o colapso da piscina. Em épocas de chuvas fortes, pode ser necessário esvaziar um pouco da água para garantir que o nível esteja correto.

5.1. Certifique-se de que o encaixe de drenagem está conectado com segurança e que a tampa está no lugar. Comece a encher a piscina com água. Depois de ter cerca de 3 cm de água estiver no fundo, pare de encher e alise as rugas do fundo da piscina. Puxe a parede externa para fora da borda superior, ao redor do fundo da piscina, para que se encha uniformemente

5.2. Continue a encher a piscina até ao nível da água.



6.0 Desmontagem e armazenamento

ISO: Não deixe os seus filhos ficarem de pé e de frente para a saída de água durante a drenagem. A corrente de água pode arrastar os seus filhos.

ATENÇÃO: A piscina deve ser armazenada em locais frescos e secos, sem objetos pontiagudos ao redor ou objetos pesados por cima, que podem causar danos à piscina.

Passo 1. Se tiver uma bomba de filtro, certifique-se de que a fonte de eletricidade para a bomba de filtro foi desconectada.

Passo 2. Verifique se a tampa de drenagem de saída está inserida firmemente no interior da piscina.

Passo 3. Conecte a sua mangueira de jardim ao conector da válvula de drenagem e coloque a outra extremidade da mangueira numa área onde a água possa escoar com segurança, como uma sarjeta ou grelha de escoamento. Lembre-se de que, como a água encontra sempre o seu próprio nível, o fim da mangueira deve ter uma elevação mais baixa do que a piscina para garantir a drenagem completa.

Passo 4. Se tiver uma bomba de filtro, insira o tampão nas fixações de entrada e saída, dentro da piscina, e depois desconecte as mangueiras da bomba de filtro.

Passo 5. Prenda o conector da válvula de drenagem à saída do tubo ao girar o conector no sentido do relógio.

Passo 6. Abra o tampão de drenagem no interior da piscina e a água começará a escoar imediatamente.

Passo 7. Desconete a mangueira e o conector da válvula de drenagem quando terminar.

Passo 8. Substitua o tampão de drenagem exterior na parte de dentro da piscina.

Passo 9. Certifique-se de que a lona da piscina está completamente seco antes de dobrar a piscina para um armazenamento a longo prazo. Deixar a piscina exposta ao sol durante algumas horas limpará e agilizará o processo de secagem e tornará mais fácil dobrar a piscina para armazenamento. (Nunca tente dobrar ou guardar uma piscina que não esteja completamente seca, pois pode causar um aumento de mofo de 90% ou acumulação de mofo durante o tempo em que a piscina estiver armazenada.)

Passo 10. Lembre-se, o armazenamento adequado na temporada baixa é fundamental para proteger o seu investimento na sua piscina. (Especialmente no inverno) Após escoar e secar, a sua piscina deve ser cuidadosamente dobrada e embrulhada num oleado (se disponível) ou outro tipo de lona de proteção semelhante. A piscina e todos os acessórios aplicáveis, como a bomba, a cobertura, o oleado, a escada, mangueiras, abraçadeiras e ferragens devem ser mantidos juntos e armazenados dentro de casa, num local razoavelmente quente, seco e à prova de intempéries.

6.1 Instruções de dobragem

Antes de dobrar, é melhor secar todas as partes e a piscina completamente, deixando-as ao sol durante uma hora ou mais. (PIC 1). De seguida, espalhe um pouco de pó de talco para evitar que o vinil se cole.

Passo 1. Por favor, dobre os lados salientes para dentro para obter uma forma retangular. (PIC 2)

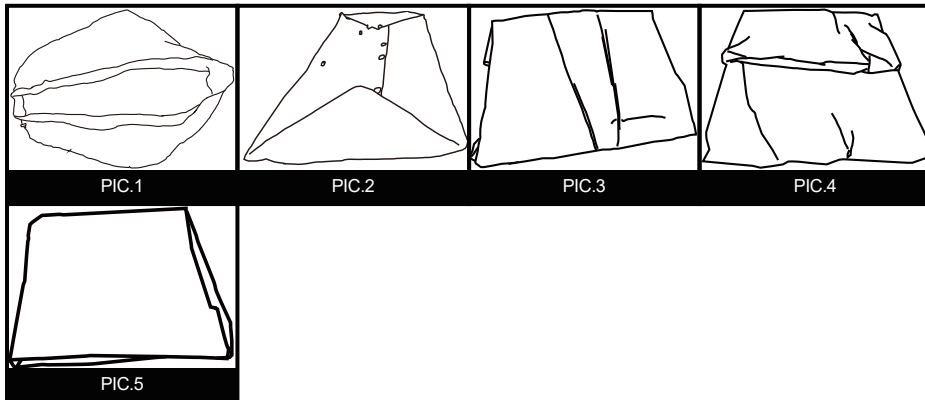
Passo 2. Dobre cada metade do retângulo para obter um retângulo menor. (PIC3)

Passo 3. Dobre cada extremidade para trás. (PIC 4)

Passo 4. Dobre as pontas restantes para criar um retângulo definitivo. (PIC 5)

DICAS 1. Remova o ar no interior para que a piscina dobrada fique fina e plana durante cada dobra.

DICAS 2. A embalagem original pode ser usada para armazenamento.



7.0 Manutenção e cuidados da piscina durante a temporada

AVISO: Se aplicável, a bomba de filtro incluída com a sua piscina foi projetada para remover a sujidade e outras partículas pequenas da água da sua piscina. No entanto, para manter a água da piscina perfeitamente límpida, livre de algas e protegida de bactérias nocivas, é **MUITO IMPORTANTE EFETUAR UM TRATAMENTO QUÍMICO REGULARMENTE**. Entre em contacto com o revendedor local de materiais para piscinas para obter orientação sobre o uso seguro e eficaz do cloro, choque, algicida e outros produtos químicos semelhantes.

AVISO: Para evitar irritações na pele e nos olhos ou mesmo lesões nos banhistas, nunca adicione produtos químicos à piscina enquanto estiver ocupada. Nunca adicione quaisquer produtos químicos ou substâncias à sua piscina se não puder verificar a quantidade ou tipo exato a adicionar à água. Consulte um revendedor de materiais para piscinas para obter instruções e orientações específicas sobre o uso de produtos químicos na sua piscina.

AVISO: É altamente recomendável que os proprietários de piscinas testem frequentemente a água da piscina para garantir que o pH e a concentração de cloro na água sejam ideais para um banho seguro e agradável durante toda a temporada. Consulte o seu revendedor de materiais para piscinas para encontrar um kit de teste adequado e instruções sobre a sua utilização.

AVISO: O desrespeito das regras de manutenção pode resultar em sérios riscos para a saúde e especialmente para as crianças.

Este produto foi projetado para serem piscinas armazenadas, de temporada. Se mora numa área de clima temperado, na qual a piscina não será usada o ano todo, é **FORTEMENTE RECOMENDADO** que escoe a sua piscina, a limpe e seque bem e a guarde numa área protegida durante o período de temporada baixa. Isto irá ajudar a prolongar a vida útil da sua piscina e evitar que se desenvolva um risco de segurança enquanto a piscina não estiver a ser usada. Durante a temporada de uso do kit de piscina, o sistema de filtragem (se aplicável) deve ser colocado a trabalhar todos os dias, o tempo suficiente para garantir pelo menos uma renovação completa do volume da água.

De forma a manter a água da piscina limpa e higiénica durante toda a temporada, siga rigorosamente as seguintes diretrizes:

1. O uso adequado e consistente de produtos químicos básicos da piscina é necessário para manter o equilíbrio do pH adequado na água da piscina. Além disso, a aplicação de produtos químicos ajudará a prevenir o crescimento de bactérias ou algas nocivas na sua piscina e ajudará a sua bomba de filtro a manter a sua água cristalina. Os produtos químicos que a sua piscina pode exigir incluem, mas não estão limitados a:

- 1) Cloro atómico, granulado ou líquido: desinfeta a água da piscina e inibe o crescimento de algas.
 - 2) Produtos Químicos de Ajuste do pH: são usados para corrigir o nível de pH e tornar a água mais ou menos ácida.
 - 3) Algicidas: Estes produtos químicos estão formulados para remover as algas.
 - 4) "Choque" (Super cloro): Elimina certos compostos orgânicos e outras combinações que podem afetar a clareza da água. Para obter detalhes específicos sobre o uso de produtos químicos, consulte um revendedor local de materiais para piscinas e indique o volume de água da sua piscina específica e, se desejar, uma amostra da água da sua piscina. Isto permitirá que o instruem adequadamente sobre: 1) quais os produtos químicos a comprar, 2) quais as quantidades de produtos químicos a comprar e 3) como usar os produtos químicos específicos com segurança e eficácia.
- 15 MSP-30103-V02

2. Nunca deixe o cloro entrar em contacto direto com a lona da piscina até que esteja completamente dissolvido. Isto significa que o cloro granular ou atómico é primeiro dissolvido num balde de água antes de ser aplicado na água da piscina e, da mesma forma, o cloro líquido é derramado lenta e uniformemente na água da piscina de várias localizações à volta do perímetro da piscina.

PERIGO: NUNCA adicione água aos químicos. EM VEZ DISSO, adicione sempre os químicos à água. Além disso, nunca misture produtos químicos separados, em vez disso, adicione produtos químicos à piscina separadamente e deixe-os circular por

toda a piscina antes de adicionar outros tipos de produtos químicos.

3. Recomendamos que adquira um kit de teste e teste frequentemente a água da sua piscina para se certificar de que o equilíbrio do seu pH e os níveis de cloro são ideais. O seu revendedor local de materiais para piscinas pode fornecer informações sobre a compra e o uso de um kit de teste mais adequado às suas necessidades. **NOTA:** Níveis excessivos de cloro ou baixos níveis de pH (ácido) podem danificar a lona da piscina, portanto, tome medidas corretivas o mais rápido possível se o teste revelar alguma das condições. A tarefa de remover os detritos maiores da sua piscina e manter o interior da lona da piscina limpo são simplificadas ao tomar uma ação corretiva o mais rápido possível, se o teste revelar qualquer uma das condições. Incluído como um artigo bônus nos sistemas de piscina maiores, e também pode ser adquirido separadamente como um acessório. Entre em contacto com o serviço pós-venda local se desejar obter conselhos sobre qualquer reparação durante a vida útil do kit de piscina.

4. Se aplicável, verifique o cartucho da bomba do filtro a cada duas semanas (ou com mais frequência durante os períodos de uso intenso) para verificar se precisa ser limpo ou substituído. Se o cartucho já não for branco, tente limpá-lo com um jato forte de água da mangueira de jardim. Se o cartucho não puder ser limpo dessa forma, deverá ser substituído. Deixar de limpar e/ou substituir os cartuchos com frequência afetará a eficácia da bomba do filtro e pode encurtar a sua vida útil.

5. Se o seu sistema de piscina inclui uma cobertura, tente mantê-la coberta o tempo todo quando não estiver a ser usada. Isto ajudará a evitar que o vento e outros elementos depositem sujidade e detritos na sua piscina e impedirá também que o excesso de água da chuva encha a sua piscina demasiado

6. Relembre a sua família e amigos para que usem sempre a mangueira ou enxaguem toda a sujidade ou óleo bronzeador das mãos, pés e corpo antes de entrar na piscina.

7. É necessário monitorizar os parafusos e as ferragens da piscina (por exemplo, por ferrugem) sempre que possível.

8. Assim que a sua piscina estiver cheia de água para o início de temporada, observe se fica demasiado cheia devido à água da chuva ou acidentalmente. Se isso ocorrer, é importante escoar o excesso de água o mais rápido possível. Se for uma piscina insuflável, o nível da água nunca deve ser superior à borda inferior do anel insuflável.

8.0 Resolução de problemas

PROBLEMA	DESCRIÇÃO	CAUSA	SOLUÇÃO
ÁGUA COLORIDA	<ul style="list-style-type: none"> A água fica azul, castanha ou preta quando tratada pela primeira vez com cloro. 	<ul style="list-style-type: none"> O cloro está a oxidar os minerais na sua água. Isto geralmente ocorre com água proveniente de diferentes fontes 	<ul style="list-style-type: none"> Ajuste o pH para o nível recomendado. Execute o filtro até que a água esteja limpa. Limpe o cartucho regularmente.
		<ul style="list-style-type: none"> "Água Dura" causada por um pH elevado. 	<ul style="list-style-type: none"> Ajuste o pH. Verifique com um revendedor de materiais para piscinas o tratamento correto da água. Limpe ou substitua o seu filtro.
PARTÍCULAS SUSPENSAS NA ÁGUA	<ul style="list-style-type: none"> A água parece "leitosa" ou turva 	<ul style="list-style-type: none"> A cloragem é inadequada. Detritos estranhos na água. Os banhistas não estão a limpar os pés antes de entrar na piscina. 	<ul style="list-style-type: none"> Garanta o nível de cloro adequado. Limpe ou substitua o seu filtro. Borrife a sujidade com uma mangueira de alta pressão antes de entrar.
		<ul style="list-style-type: none"> Rasgo ou furo na lona da piscina. 	<ul style="list-style-type: none"> Localize os danos e repare com o kit de remendo incluído.
NÍVEL DE ÁGUA BAIXO PERSISTENTE	<p>A piscina parece estar a perder água diariamente.</p>	<ul style="list-style-type: none"> Rasgo ou furo na mangueira da bomba do filtro. As abraçadeiras da mangueira estão muito soltas. Evaporação das altas temperaturas do verão. 	<ul style="list-style-type: none"> Repare ou substitua as mangueiras. Aperte todas as abraçadeiras da mangueira. Mantenha a piscina coberta quando não estiver a ser usada.
		<ul style="list-style-type: none"> A água tem uma tonalidade esverdeada. 	<ul style="list-style-type: none"> Aplique o tratamento de "choque" (super cloro). Verifique o pH e ajuste o mesmo até um nível apropriado de acordo com o revendedor local de materiais para piscinas.
ALGAS	<ul style="list-style-type: none"> Manchas verdes, castanhas ou pretas aparecem na lona da piscina. O fundo da piscina está escorregadio e/ou apresenta um odor desagradável. 	<ul style="list-style-type: none"> As algas estão presentes. 	<ul style="list-style-type: none"> Aspire ou esfregue suavemente a lona da piscina. Teste a água com frequência para manter os níveis de cloro adequados
		<ul style="list-style-type: none"> A piscina foi instalada numa área com sombra e árvores excessivas. 	<ul style="list-style-type: none"> Mude a piscina para um local mais aberto, onde possa obter uma exposição máxima à luz do sol durante as horas de pico de luz do dia.
A ÁGUA DA PISCINA ESTÁ FRIA	<ul style="list-style-type: none"> A água não está a aquecer a uma temperatura confortável para nadar 	<ul style="list-style-type: none"> O calor está a sair da água da piscina. 	<ul style="list-style-type: none"> Mantenha a sua piscina coberta sempre que não estiver a ser usada.

9.0 Garantia limitada

Garantimos todos os componentes contidos neste conjunto de Piscina (excluindo a unidade de bomba de filtro) contra defeitos de materiais e mão de obra sob uso e serviço normais, por um período de 90 dias a partir da data de compra, apenas ao proprietário original.

Se qualquer um dos componentes tiver sido substituído pelo consumidor, danificado ou usado incorretamente, a garantia correspondente a esses componentes não será válida. Nesta situação, será informado sobre o custo das peças de substituição e instruções de processamento.

Se for encontrado um defeito de fabrico durante o período de tempo relevante, concordamos em substituir, a seu critério, qualquer produto sob garantia, desde que seja apresentada a prova de compra adequada.

Esta garantia limitada não é válida se o produto for usado para fins comerciais ou se o dano for causado por acidente, uso indevido do consumidor, negligência ou abuso, vandalismo, uso impróprio de produtos químicos, exposição a condições climáticas extremas ou negligência durante a configuração do produto ou desmontagem.

Não podemos ser responsabilizados pelo custo de instalação, mão de obra ou despesas de transporte incorridas devido à substituição de peças defeituosas. Além disso, esta garantia limitada, não cobre quaisquer alterações não autorizadas no produto.

2.0 Úvod

Gratulujeme vám k výběru bazénu EXIT Frame Pool!

Bavte se, buďte aktivní a hrajte si venku.....

To je to, co nás neustále pohání k vývoji inovativních a kvalitních hraček pro pohodové děti a rodiče.

Děláme vše pro to, abychom vyvíjeli bezpečné výrobky pro děti. Protože jsou naše výrobky klasifikovány jako hračky, dodržujeme nejpřísnější předpisy o bezpečnosti pro spotřebitele. Před uvedením našich výrobků na trh si necháváme provést nezávislé testy pro certifikaci. Průběžně také testujeme naše výrobní série a pravidelně necháváme znovu provádět nezávislé testy jako další kontrolu. Pouze výrobky, které splňují nejvyšší standard EXIT Toys, jsou označeny a uznány značkou EXIT.

“Chceme vám poděkovat za váš zvyk a důvěru v tento výrobek. Jsme si jisti, že se vaše děti budou bavit stejně dobře jako my během vývoje. Protože jsme otevření, velmi si vážíme všech připomínek a nápadů, které nám pomohou naše výrobky vylepšit nebo vyvinout nové. Své nápady nám můžete posílat na adresu info@exittoys.com”.

Navštivte prosím stránky www.exittoys.com a objevte další skvělé nové produkty.

Tým společnosti EXIT Toys

3.0 Pokyny pro bezpečné použití

Používáním bazénu Frame Pool podle pokynů uvedených v této příručce eliminujete prakticky všechna nebezpečí. Mějte však na paměti, že děti mají přirozenou touhu hrát si a že to může vést k nepředvídaným nebezpečným situacím, za které výrobce nemůže nést odpovědnost. Naučte své děti, jak výrobek používat, a upozorněte je na možná nebezpečí.

Před montáží a používáním výrobku si přečtěte a dodržujte tato hlavní upozornění:



UPOZORNĚNÍ: Pro lepší požitok z bazénu a ochranu bezpečnosti osob v bazénu a jeho okolí VŽDY DŮSLEDNĚ DODRŽUJTE následující bezpečnostní pokyny a pokyny pro údržbu:

- 1). Majitel bazénu je povinen zjistit a dodržovat všechny místní a státní zákony týkající se bezpečnosti nadzemních bazénů PŘED zřízením nebo používáním bazénu. Patří mezi ně mimo jiné zákony týkající se: palub, plotů, zábran, krytů, bazénových žebříků, osvětlení a požadovaného bezpečnostního vybavení. Pro zajištění souladu s předpisy se obraťte na místní úřady.
- 2). Nedovolte, aby v bazénu byly děti bez dozoru. Vždy se ujistěte, že na všechny Děti a ty, které neumí plavat, dohlíží po celou dobu alespoň jedna zodpovědná dospělá osoba. Nikdy neplavte / nekoupejte se v bazénu sami.
- 3). NIKDY nedovolte potápění nebo skákání do bazénu. Nikdy nevstupujte do bazénu z paluby nebo jiných vyvýšených ploch. Hladina vody ve vašem bazénu je extrémně mělká a není pro tyto činnosti vhodná. Nedodržení těchto in- strukcí může mít za následek vážné zranění nebo dokonce smrt.
- 4). Nedovolte dětem ani dospělým, aby se v bazénu nebo jeho okolí věnovali jakýmkoli "hrubým" nebo jiným agresivním sportům či aktivitám. Nedodržení tohoto pokynu může mít za následek vážné zranění osob v okolí bazénu.
- 5). Vždy udržujte správné bezpečnostní vybavení bazénu na snadno přístupném místě přiléhajícím k bazénu. Zřetelně vyvěste telefonní čísla tísňového volání a bezpečnostní pokyny a pravidla (například "Zákaz skákání a potápění" a "Neplavte sami"). 6. Nedovolte koupajícím se osobám vstup do bazénu, pokud není prostor dostatečně osvětlen nebo osvětlen.
- 6) Všechny filtrace jsou v souladu s instalační normou NF C 15-100, podle které by všechny elektrické spotřebiče umístěné ve vzdálenosti do 3,50 m pro jezírko a s volným přístupem měly mít nízké napětí 12V. Všechny elektrické spotřebiče napájené 220 V musí být umístěny nejméně 3,50 m od okraje jezírka. Jakoukoli změnu jednoho nebo více prvků filtračního systému konzultujte s výrobcem (pro francouzský

trh).

7). Bezpečnost vašich dětí je na vás! Největší riziko hrozí dětem mladším 5 let. Nehody se nestávají jen ostatním! Budte připraveni jim čelit!

8). Dávejte pozor a jednejte:

- Dohled nad dětmi musí být těsný a stálý;
- Určete osobu odpovědnou za bezpečnost;
- Posilte dohled, pokud je v bazénu více uživatelů;
- Naučte děti plavat co nejdříve;
- Před vstupem do vody si namočte krk, ruce a nohy;
- Naučte se záchranné prostředky, zejména ty, které jsou specifické pro děti;
- Zakažte potápění nebo skákání před malými dětmi;
- Zakažte běhání a násilné hry v okolí bazénu;
- Nedovolte vstup do bazénu bez bezpečnostní vesty dítěti, které neví, neumí plavat a nemá doprovod ve vodě;
- Nenechávejte hračky v blízkosti bazénu bez dozoru;
- Udržujte vodu čistou a zdravou;
- Přípravky na úpravu vody skladujte mimo dosah dětí;

9). Plánujte: V případě, že je voda v bazénu, je třeba ji vyčistit, a to i v případě, že je voda v bazénu:

- Telefon v blízkosti bazénu, nenechávejte děti bez dozoru, když voláte;
- Koupit a postavit tyč v blízkosti bazénu;

10). Některá zařízení navíc mohou přispět k bezpečnosti:

- Zábrana, jejíž portál bude neustále zavřený (např. živý plot nelze považovat za ochrannou bariéru);
- Ruční nebo automatický kryt správně umístěná a zajištěná ochrana;
- Elektronické čidlo pro detekci nebo pokles v provozu a funkční, ale nenahrazuje pečlivý dohled;

11). Nehoda: Při nehodě je nutné dodržet pravidla pro ochranu proti úrazu, která jsou stanovena v čl:

- Dítě co nejrychleji vyjměte z vody;
- Okamžitě zavolejte pomoc a řiďte se radami, které vám byly poskytnuty;
- Vyměňte mokré oblečení za teplé přikrývky;

12) Uložte a prohlédněte si bazén s číslem první pomoci:

- Požár: (18 pro Francii); (112 Evropa)
- Zdravotnická záchranná služba: (15 pro Francii); (112 Evropa)
- Centrum pro otravy; (112 Evropa)

13). Zakázat přístup do bazénu pro zhoršení stavu nebo systému(ů) filtru;

14). Neponořujte se do vody;

15). Nechodte po okraji;

16). Upozornění: Nikdy nestavte prázdný bazén na volné prostranství.

	VAROVÁNÍ
	Pozorně sledujte děti, které jsou v bazénu nebo v jeho blízkosti. Děti mladší 5 let jsou ohroženy utonutím.

	VAROVÁNÍ
	Vaše vlasy, tělo a šperky mohou být vtáženy do odtoku. Mohli byste být drženi pod vodou a utopit se!

	VAROVÁNÍ
	Mohli byste si zlomit vaz a ochrnut.

4.0 Výběr lokalit

VAROVÁNÍ: U bazénů instalovaných na nedostatečně rovných plochách může dojít k úniku vody, vzniku nerovností nebo zřícení, což může mít za následek poškození majetku nebo vážné zranění osob v okolí bazénu!

VAROVÁNÍ: Při nastavování nepoužívejte písek. Pokud se zdá, že je nutné použít "vyrovnávací prostředek", pak je vaše místo pro nastavení pravděpodobně nevhodné. **NEDODRŽENÍ TOHOTO UPOZORNĚNÍ MŮŽE MÍT ZA NÁSLEDEK VÁŽNÉ ZRANĚNÍ OSOB.**

POZOR: Pečlivě si vyberte místo pro nastavení, protože trávník a další žádoucí vegetace pod půdní textilí (pokud je k dispozici) odumře. Kromě toho se snažte vyhnout umístění půdní textilie (je-li to vhodné) v oblastech s výskytem agresivních druhů rostlin a plevelů, protože by mohly prorůstat půdní textilí (je-li to vhodné).

POZOR: Bazén musí být přístupný k zásuvce na střídavý proud 110 nebo 230 V, která je chráněna jističem GFCI (Ground Fault Circuit Interrupter). Bazén by neměl být postaven blíže než 10 stop od zdroje napájení, ale ne dále než je délka kabelu filtračního čerpadla. v žádném případě nepoužívejte prodlužovací kabel k rozšíření dosahu připojení.

Je naprosto nezbytné vybrat vhodné místo pro bazén PŘED tím, než se ho pokusíte napustit vodou. Zvolte prosím takové místo, které bude striktně odpovídat následujícím pokynům:

Průvodce 1. Ujistěte se, že plocha je pevná, rovná (bez hrbolů nebo kopců zeminy) a extrémně rovná, se sklonem nepřesahujícím 3° na kterémkoli místě v oblasti nastavení.

Průvodce 2. Ujistěte se, že místo, které jste si vybrali pro instalaci bazénu, je zcela bez klacků, kamenů, ostrých předmětů nebo jiných cizích předmětů.

Průvodce 3. Vyberte si místo, které se nenachází přímo pod nadzemním elektrickým vedením nebo stromy. Kromě toho se ujistěte, že se na místě, kde se má bazén postavit, nenachází podzemní inženýrské sítě, vedení nebo kabely jakéhokoli druhu.

Průvodce 4. Zemní tkanina pomáhá chránit bazénovou vložku před poškozením v důsledku růstu plevele, ostrých předmětů a nečistot.

Průvodce 5. Pokud je to možné, vyberte si na svém pozemku otevřené místo, které je vystaveno přímému slunečnímu záření. To vám pomůže bazén zahřát.

Plochá úroveň - SPRÁVNĚ

Hrbolatý, svažitý terén - NEPRAVDA



5.0 Nastavení bazénu

DŮLEŽITÉ: Pokud chybí některý z dílů, nezačínajte s montáží. Náhradní díly si vyžádejte na telefonním čísle spotřebitelského servisu ve vaší oblasti.

Počet osob potřebných k montáži: minimálně 2 dospělé osoby.

Celková doba instalace s výjimkou doby na přípravu místa instalace a napuštění vodou: 30 až 45 minut.

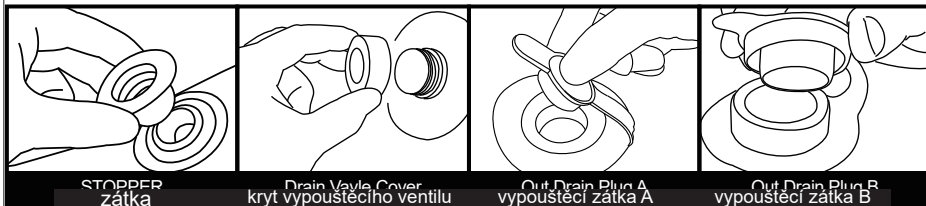
Krok 1. Započítejte všechny díly.

Vyjměte všechny díly z krabice (krabic) a položte je na zem na místo, kde mají být smontovány. Zkontrolujte jednotlivé díly podle kapitoly "REFERENCE DÍLŮ" 1.0.

Ujistěte se, že všechny díly, které mají být smontovány, jsou započítány.

Krok 2. Nainstalujte kryt vypouštěcího ventilu a zátku.

Ujistěte se, že je vnější vypouštěcí zátka zasunuta do vnějšího vypouštěcího víčka a kryt vypouštěcího ventilu je pevně našroubován. Připojovací otvory ucpěte zátkami. (Vnější vypouštěcí zátka se mění podle různých velikostí bazénu.)



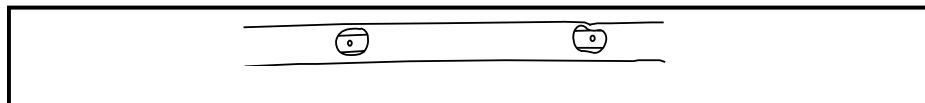
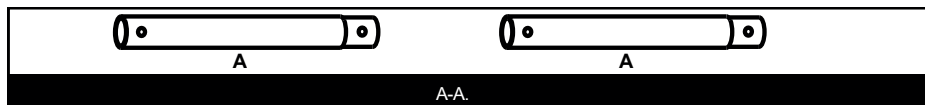
STOPPER
zátka

Drain Valve Cover
kryt vypouštěcího ventilu

Out Drain Plug A
vypouštěcí zátka A

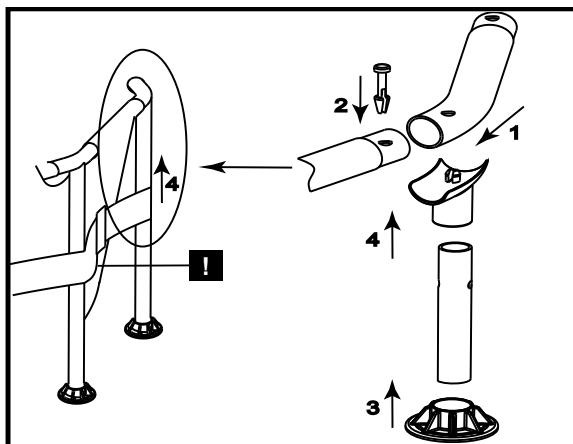
Out Drain Plug B
vypouštěcí zátka B

Krok 3. Instalace vodorovných nosníků



zasuňte kombinované nosníky do pouzdra, otvor na nosnících by měl směřovat ven.

Krok 4. Instalace T-kloubů a rámu



4.1. Ke spojení sousedních vodorovných trubek použijte spojovací konec T-spoje.

4.2. Zasuňte kolík do otvoru připojených trubek.

4.3. Nasadte krytku svislé nohy na svislou nohu.

4.4. Zasuňte svislou nohu do T-kloubu přes pás.

Krok 5. Naplňte bazén

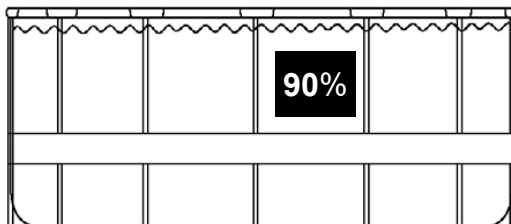
VAROVÁNÍ: Nenechávejte bazén bez dozoru, když se plní vodou.

VAROVÁNÍ: Pokud se na jedné straně shromáždí více než 1 ~ 2 cm vody předtím, než začnete napouštět uprostřed, není bazén dostatečně vyrovnaný a je třeba to napravit! Můžete musít vytáhnout vypouštěcí zátku, úplně vypustit vodu, rozebrat bazén. úplně rozeberte, umístěte bazén na rovnou plochu a zopakujte pokyny k nastavení.

VAROVÁNÍ: NEPŘEPLŇUJTE, protože by to mohlo způsobit zhroutení bazénu. v době silných dešťů může být nutné vypustit část vody, abyste zajistili správnou hladinu.

5.1. Ujistěte se, že je vypouštěcí šroubení pevně ucpané a uzávěr je zavřený. je na svém místě. Začněte napouštět bazén vodou. Po naplnění asi 1 cm vody na dně, přestaňte plnit a vyhladte vrásky na dně bazénu. Vytáhněte vnější stěnu od horního okraje, vše kolem dna bazénu tak, aby se naplnil rovnoměrně.

5.2. Pokračujte v plnění bazénu, dokud hladina vody .



6.0 Demontáž a skladování

VAROVÁNÍ: Nedovolte dětem, aby během vypouštění vody stály u skládacího otvoru a čelily výtoku vody. Proud vody by mohl děti smést.

VAROVÁNÍ: Bazén by měl být skladován na místech, kde je chladno a sucho, bez ostrých předmětů a bez těžkých předmětů, které by mohly způsobit poškození bazénu.

Krok 1. Pokud máte filtrační čerpadlo, ujistěte se, že byl odpojen zdroj elektřiny k filtračnímu čerpadlu.

Krok 2. Zkontrolujte, zda je vypouštěcí zátku pevně zasunutá uvnitř bazénu.

Krok 3. Připojte zahradní hadici ke konektoru vypouštěcího ventilu a druhý konec hadice umístěte na místo, kde může voda bezpečně odtékat, například do dešťové kanalizace nebo uličního žlabu. Nezapomeňte, že voda si vždy najde svou vlastní hladinu, a proto musí být konec hadice níže než bazén, aby byl zajištěn úplný odtok vody.

Krok 4. Pokud máte filtrační čerpadlo, zasuňte zátku do vstupních a výstupních armatur na vnitřní straně bazénu. odpojte hadice filtračního čerpadla.

Krok 5. Připojte konektor vypouštěcího ventilu k odtoku otáčením konektoru ve směru hodinových ručiček.

Krok 6. Otevřete vypouštěcí zátku na vnitřní straně bazénu a voda začne okamžitě vytékat.

Krok 7. Po dokončení odpojte hadici a konektor vypouštěcího ventilu.

Krok 8. Vyměňte vypouštěcí zátku na vnitřní straně bazénu.

Krok 9. Před složením bazénu k dlouhodobému uskladnění se ujistěte, že je bazénová vložka zcela suchá. Ponecháte-li bazén několik hodin na slunečním světle, vyčistíte a urychlíte proces vysychání a usnadníte složení bazénu pro uskladnění. (Nikdy se nepokoušejte skládat nebo ukládat bazén, který není zcela suchý, protože

by to mohlo vést k rozšíření plísní nebo vzniku hniloby během doby skladování bazénu).

Krok 10. Nezapomeňte, že správné mimosezónní skladování je velmi důležité pro ochranu vaší investice do bazénu (zejména v zimě). Po vypuštění a vysušení by měl být bazén pečlivě složen a zabalen do podkladové tkaniny (pokud je k dispozici) nebo jiného podobného ochranného materiálu podobného plachtě. Bazén a veškeré příslušenství, jako je čerpadlo, kryt, zemní tkanina, žebřík, hadice, svorky a kování, by měly být uloženy pohromadě a uskladněny uvnitř, na přiměřeně teplém, suchém a počasí odolném místě.

6.1 Pokyny pro skládání

Před skládáním je lepší všechny díly a bazén úplně vysušit, a to tak, že je na přibližně hodinu položíte na slunce (Obrázek 1). A poté je potřete maskem, aby se vinyl neslepil.

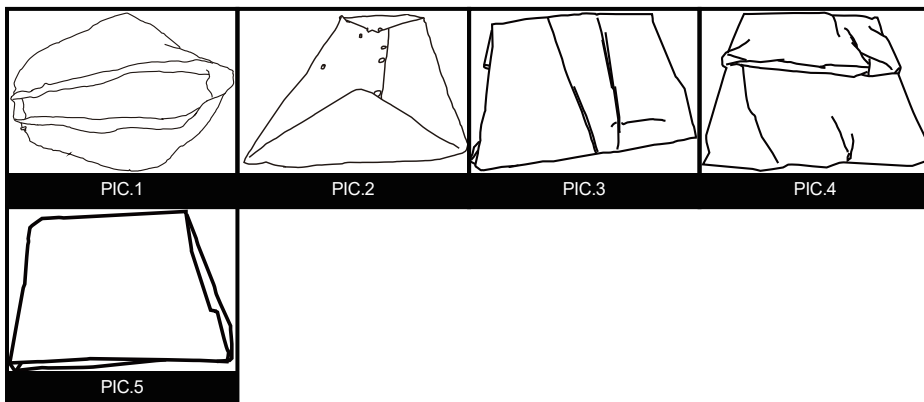
Krok 1. Přeložte strany výstupku dovnitř, abyste získali tvar obdélníku. (Obrázek .2).

Krok 2. Každou polovinu obdélníku přeložte, abyste získali menší obdélník. (Obrázek.3).

Krok 3. Oba konce přeložte dozadu. (Obrázek.4).

Krok 4. Zbylé konce přeložte k sobě a vytvořte konečný obdélník. Obrázek.5).

TIPS 1. Při každém skládání odstraňte vzduch, aby byl složený bazén tenký a plochý.



7.0 Údržba a péče o bazén v sezóně

VAROVÁNÍ: Filtrační čerpadlo, které je součástí bazénu, je případně určeno k odstraňování nečistot a jiných malých částic z bazénové vody. Pro udržení dokonale čisté vody v bazénu bez řas a škodlivých bakterií je však **VELMI DŮLEŽITÉ ZARADIT DŮSLEDNÝ REŽIM CHEMICKÉHO OŠETŘOVÁNÍ**. Obráťte se na místního prodejce bazénových potřeb, který vám poradí, jak bezpečně a účinně používat chlor, šok, algicid a další podobné chemikálie.

VAROVÁNÍ: Abyste předešli podráždění kůže a očí nebo dokonce zranění koupajících se, nikdy nepřidávejte chemikálie do bazénu, když je v něm někdo ubytován. Nikdy nepřidávejte do bazénu žádné chemikálie nebo látky, pokud si nemůžete ověřit přesné množství nebo typ, který se má do vody přidat. konkrétní pokyny a pokyny týkající se používání chemikálií ve vašem bazénu vám poskytne prodejce bazénových potřeb.

VAROVÁNÍ: Důrazně doporučujeme, aby majitelé bazénů často testovali vodu v bazénu a zajistili tak optimální pH a koncentraci chloru ve vodě pro bezpečné a příjemné koupání během celé sezóny. Vhodnou testovací sadu a návod k jejímu použití najdete u svého prodejce bazénových potřeb.

VAROVÁNÍ: Nedodržování pravidel údržby může mít za následek vážné ohrožení zdraví a zejména dětí.

Tento produkt je určen pro skladovatelné sezónní bazény. Pokud žijete v oblasti s mírným podnebím, kde se bazén nebude používat celoročně, **DŮRAZNĚ DOPORUČUJEME** bazén vypustit, důkladně vyčistit a vysušit a mimo sezónu uložit na chráněném místě. To pomůže prodloužit životnost vašeho bazénu a zabrání vzniku bezpečnostního rizika v době, kdy se bazén nepoužívá. během sezóny používání bazénové soupravy musí být filtrační systém (pokud je k dispozici) uveden do provozu každý den, a to na tak dlouho, aby byla zajištěna alespoň úplná obnova objemu vody.

Aby byla voda v bazénu čistá a hygienická po celou sezónu, dodržujte prosím následující pokyny:

1. Pro udržení správné rovnováhy pH bazénové vody je nutné správné a důsledné používání základní bazénové chemie. Kromě toho používání chemikálií pomáhá zabránit růstu škodlivých bakterií nebo řas ve vašem bazénu a pomáhá filtračnímu čerpadlu udržovat křišťálově čistou vodu. Mezi chemikálie, které může váš bazén vyžadovat, patří mimo jiné:

1) Tabulkový, granulovaný nebo kapalný chlor: Chlor: Dezinfikuje vodu v bazénu a brání růstu řas.

2) Chemikálie pro úpravu PH: Tyto látky se používají k úpravě hladiny PH a ke zvýšení nebo snížení kyselosti vody.

3) Algicidní přípravky: Tyto chemikálie jsou určeny k odstranění řas.

4) "Šok" (Superchlorinátor): Přípravky na ochranu proti chemikáliím, které se používají k odstraňování vodního kamene: Odstraňují některé organické a jiné kombinované sloučeniny, které mohou ovlivnit čistotu vody.

Chcete-li získat konkrétní informace o používání chemikálií, obraťte se na místního prodejce bazénových potřeb a poskytněte mu objem vody ve vašem konkrétním

bazénu a případně vzorek vody z vašeho bazénu. Díky tomu vás bude moci řádně poučit o tom, 1) jaké chemikálie zakoupit, 2) jaké množství chemikálií zakoupit a 3) jak používat konkrétní chemikálie bezpečně a účinně.

2. Nikdy nedovolte, aby chlor přišel do přímého kontaktu s bazénovou vložkou, dokud se zcela nerozpustí. To znamená, že granulovaný nebo tabelovaný chlor se před aplikací do bazénové vody nejprve rozpustí v kbelíku s vodou a stejně tak se tekutý chlor pomalu a rovnoměrně vlévá do bazénové vody z různých míst po obvodu bazénu.

NEBEZPEČÍ: NIKDY nepřidávejte do chemikálií vodu. Místo toho vždy přidávejte chemikálie do vody. Nikdy také nemíchejte jednotlivé chemikálie dohromady, raději přidávejte chemikálie do bazénu zvlášť a nechte je cirkulovat v celém bazénu před přidáním dalších druhů chemikálií.

3. Doporučujeme zakoupit testovací sadu a často testovat vodu v bazénu, abyste se ujistili, že je rovnováha PH a hladina chloru optimální. Informace o nákupu a používání testovací sady, která nejlépe vyhovuje vašim potřebám, vám poskytne místní prodejce bazénových potřeb. **POZNÁMKA:** Nadměrná hladina chlóru nebo nízká (kyselá) hladina pH mohou poškodit vaši bazénovou vložku, proto pokud testování odhalí některý z těchto stavů, proveďte co nejdříve nápravná opatření. Úkoly spojené s odstraňováním větších nečistot z bazénu a udržováním čistoty vnitřku bazénové vložky se zjednoduší, pokud použijete sadu pro testování a co nejdříve přijmete nápravná opatření, pokud testování odhalí některý z těchto stavů. součástí větších bazénových systémů jako bonus a lze ji zakoupit také samostatně jako příslušenství. pokud chcete získat radu ohledně jakékoli opravy během životnosti sady, obraťte se na místní poprodejní servisní středisko.

4. Případně každé dva týdny (nebo častěji v období intenzivního používání) zkontrolujte kartuši filtračního čerpadla, zda není třeba ji vyčistit nebo vyměnit. Pokud vaše kartuše již nemá bílou barvu, zkuste ji vyčistit silným proudem vody ze zahradní hadice. Pokud kazetu nelze tímto způsobem vyčistit, je nutné ji vyměnit. Nebudete-li kazetu často čistit a/nebo vyměňovat, ovlivní to účinnost filtračního čerpadla a může to zkrátit jeho životnost.

5. Pokud byl součástí vašeho bazénového systému kryt, snažte se mít bazén vždy zakrytý, pokud jej nepoužíváte. To pomůže zabránit větru a dalším žvlům, aby se v bazénu usazovaly nečistoty a zbytky, a také zabráni přebytečné dešťové vodě, aby bazén přeplnila.

6. Připomeňte rodině a přátelům, aby si před vstupem do bazénu vždy hadicí umyli nebo opláchli ruce, nohy a tělo od nečistot nebo opalovacího oleje.

7. Pokud je to možné, je nutné sledovat šrouby a kování bazénu (např. skvrny od rzi).

8. Po napuštění bazénu vodou na th sezónu si všimněte, zda nedošlo k přeplnění bazénu v důsledku dešťové vody nebo náhodného přeplnění. Pokud k tomu dojde, je důležité přebytečnou vodu co nejdříve vypustit nebo vylít do balíků.

8.0 Řešení problémů

PROBLÉM	POPIS	PŘÍČINA	NÁPRAVA
BAREVNÉ VODA	• Voda je modrá, hnědá nebo černá při prvním ošetření chlorem.	• Chlor oxiduje minerály ve vodě. K tomu běžně dochází s vodou z různých zdrojů.	Upravte pH na doporučenou úroveň. • Spusťte filtr, dokud není voda čirá. • Pravidelně čistěte kazetu.
PARTIČIÁLNĚ ZASTAVENO VE VODĚ	• Voda vypadá "mléčně" nebo zakaleně.	• Tvrdá voda" způsobená zvýšeným Ph - Chlorace je nedostatečná. • Cizí nečistoty ve vodě. • Koupající si před vstupem do bazénu neočistí nohy.	• Upravte pH. O správné úpravě vody se informujte u prodejce bazénů. • Zajistěte správnou hladinu chlórul. • Vyčistěte nebo vyměňte filtr. • Před vstupem postříkejte nečistoty vysokotlakou hadicí.
PERSISTENTNÍ NÍZKÁ ÚROVEŇ	• Zdá se, že bazén denně ztrácí vodu.	• Trhlina nebo díra ve vložce bazénu. • Trhlina nebo díra v hadici filtračního čerpadla. • Hadicové svorky jsou příliš volné. • Odpařování z vysokých letních teplot.	• Vyhledejte poškození a opravte je pomocí přiložené sady záplat. • Oprava nebo výměna hadic. • Utáhněte všechny hadicové svorky. • Když bazén nepoužíváte, mějte ho zakrytý
ALGAE	• Voda má nazelenalý odstín. • Na obložení bazénu se objeví zelené, hnědé nebo černé skvrny. • Dno bazénu je kluzké a/nebo je cítit nepříjemný zápach.	• Jsou přítomny řasy.	• Použijte "šokové" ošetření (super-chlorinátor). Zkontrolujte pH a upravte ho na vhodnou úroveň podle místního prodejce bazénových potřeb. • Vysajte nebo lehce vydrhněte vložku bazénu. • TČasto testujte vodu, abyste udrželi správnou hladinu chlórul.
BAZÉN VODA JE COOL	• Voda se neohřívá na teplotu vhodnou pro plavání.	• Bazén byl zřízen v příliš stinném nebo stromy lemovaném místě. • Z vody v bazénu uniká teplo.	• Přemístění bazénu na otevřenější místo, kde může získat maximum energie. vystaven slunečnímu záření během denní špičky. • Bazén mějte zakrytý, kdykoli ho nepoužíváte.

9.0 Omezená záruka

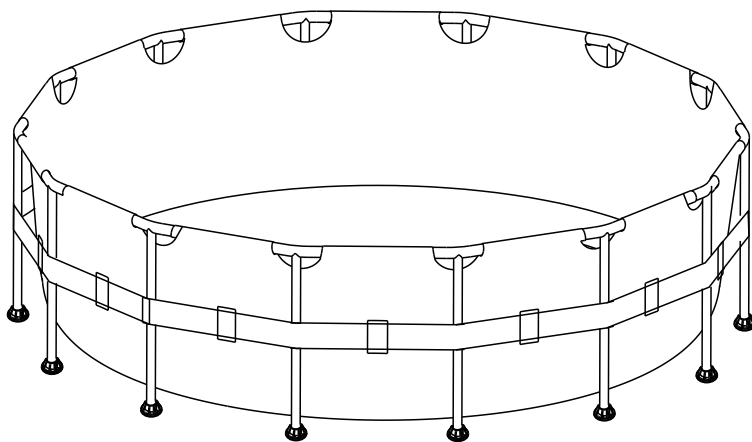
Na všechny součásti obsažené v této bazénové soupravě (s výjimkou filtračního čerpadla) poskytujeme záruku na vady materiálu a zpracování při běžném používání a servisu po dobu 90 dnů od data nákupu pouze pro původního majitele.

Pokud byla některá z komponent nahrazena spotřebitelem, poškozena nebo nesprávně použita, příslušná záruka na tyto komponenty zaniká. V této situaci budete informováni o ceně náhradních dílů a pokynech pro zpracování.

Pokud bude v příslušném časovém období zjištěna prokazatelná výrobní vada, zavazujeme se vyměnit podle svého uvážení jakýkoli výrobek v záruce za předpokladu, že bude předložen řádný doklad o koupi.

Tato omezená záruka neplatí, pokud je výrobek používán ke komerčním účelům nebo pokud je poškození způsobeno nehodou, nesprávným používáním spotřebitelem, nedbalostí nebo zneužitím, vandalismem, nesprávným používáním chemikálií, vystavením extrémním povětrnostním podmínkám nebo nedbalostí při nastavení nebo demontáži výrobku.

Nemůžeme nést odpovědnost za náklady na instalaci, práci nebo dopravu vzniklé v důsledku výměny vadných dílů. Tato omezená záruka se dále nevztahuje na žádné neautorizované úpravy výrobku.



Contact:
Dutch Toys Group
Edisonstraat 83, 7006RB, Doetinchem , the Netherlands
P.O. Box 369, 7000AJ, Doetinchem, the Netherlands

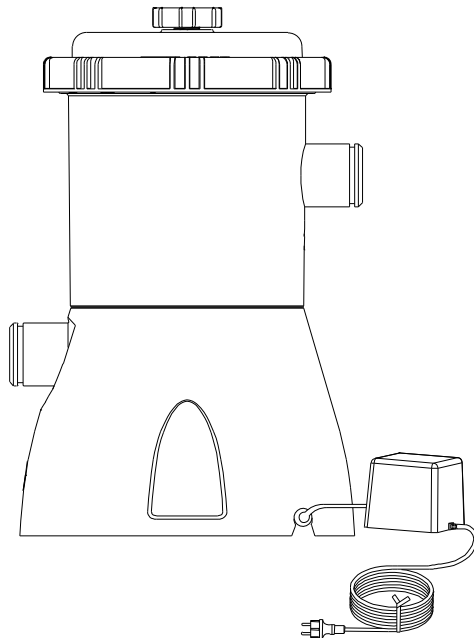
info@exittoys.com
www.exittoys.com

EXIT is a registered trade mark of Dutch Toys Group

avenli

SUPER CLEAN FILTER PUMP USER'S MANUAL

29P414DE/29P415DE/29P416DE/29P417DE



Attention: Read all instructions carefully before installing filter pump.

TABLE OF CONTENTS

Instruction	3
Safety Instructions	3-4
Parts Listing & Illustration	5-6
Installation Instructions	6
Installation Illustration	7
Operating instructions	8
General Maintenance	8
Cleaning and Replacement	8-9
Trouble Shooting Guide	9
Limited Warranty	10

Instruction

We thank you for your purchase of our filter pump. We think you will find it quite simple to install and performance efficiently.

This filter pump system has been manufactured to the highest quality standards, and will provide seasons of clean, sparkling-clean water activity in your new Prompt Set Pool, Round Steel Frame Pool, Oval Steel Frame Pool and Rectangular Steel Frame Pool. Here is Jilong filter pump manufactured as high quality performance that combines superior filtration and following features:

- Designed for above ground swimming pool
- High volume flow through filter
- Easy installation and maintenance
- Low cost on maintenance and operation
- Offer quiet and high quality performance
- Quality certified construction
- Reliable, corrosion-proof and reinforced material
- Elegant and delightful design
- Smaller dimension easy to store and compact for winter
- UL & GS certificated filter pump
- Safer for swimming and for the environment

This filter pump system manual will provide you with all of the easy instructions you need to follow in order to set up and operate this state-of-the-art filter pump system efficiently.

In addition to set-up instructions and operational guidelines, we have also included several very important Warning and Caution statements that pertain to the safe use and enjoyment of this new filter pump system. It is very important that you take the time to read them all and share them with any individuals that will ultimately be enjoying the use of your pool.

Please make certain that you read and understand the information contained in this Manual prior to initial use.

Safety instructions

When you want to install and use this electric equipment, follow the below important points and take precautions:

WARNING Check all clamps and system accessories before running pump.
WARNING Do not bury supply cord of adapter. Locate supply cord of adapter where it will not be damaged by lawn mowers, hedge trimmers, and other equipment.

WARNING This appliance is not intended for use by persons (including children) with reduced physical, sensory or mental capabilities, or lack of experience and knowledge, unless they have been given supervision or instruction concerning use of the appliance by a person responsible for their safety. Children should be supervised to ensure that they do not play with the appliance

WARNING Don't use this filter pump to vacuum pool. And this unit designed only for storable pool, not for permanently installed pool.

WARNING The power cord of adapter and input wire of pump cannot be replaced. If the power cord or input wire is damaged, the adapter or pump should be scrapped

WARNING Do not place the 230 V adapter near the pool. The transformer and socket outlet should be place more than 3.5m away from the pool. The pump and the adapter must not be installed in areas which can be flooded (and which do not have an adequate outlet).

WARNING Make sure that the outdoor socket is protected by a residual current device (RCD) with a rated residual operating current not exceeding 30 mA.

WARNING Do not drop filter pump or adapter into water.

WARNING Before start the filter pump, must fix the filter base with screws on solid surface to fasten.

WARNING Avoid overheating on the filter pump motor. Make sure the pump is running with water and never left off the water when using this appliance.

Improper use to cause overheating will make the motor burnout and damage.

WARNING Remnant air will make pump to race and damage the filter pump. Gently turn the air release valve (P1) to drive out all of the air in the hose and filter housing.

WARNING: This appliance can only be used by children aged 8 years and above or persons with reduced physical, sensory or mental capabilities or lack of experience and knowledge if they have been given supervision or instruction concerning the safe use of the appliance and understand the hazards involved.

Do not allow children to play with this appliance. Children should not undertake cleaning or user maintenance without supervision

WARNING: The supply cord cannot be replaced if the cord is damaged the

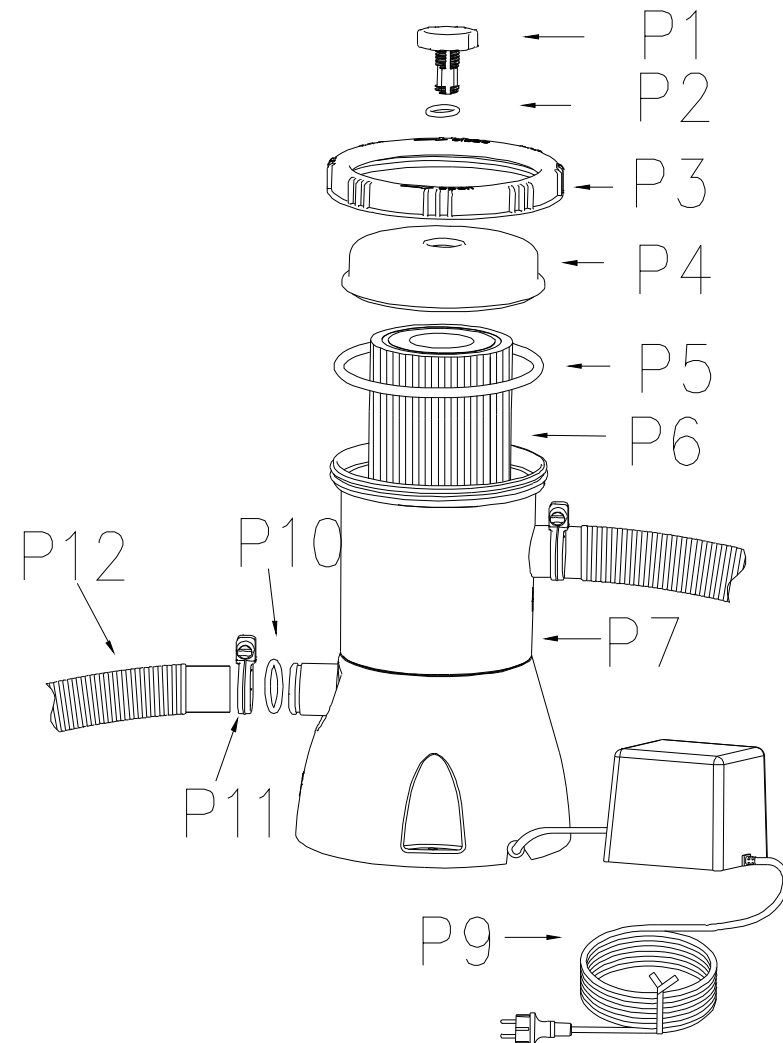
appliance should be scrapped.

WARNING: The pump must not be used when people are in the water.
WARNING: The pump must be supplied through a residual current device (RCD) having a rated residual operating current not exceeding 30mA.

WARNING: The maximum total head 0.9 in meters(for pumps having a rated power input exceeding 50W)

WARNING: This appliance should be installed at least at 2m from the pool and the plug shall be located 3.5m from the pool. (Only for France market)

WARNING: The pump must be fixed on the ground or on a certain pedestal with two $\Phi 5$ bolts or screws to prevent accidental falling (see next picture).



Item No.	Description	QTY
P1	Air purge cover	1
P2	Air purge cover seal	1
P3	Filter chamber cover retainer	1
P4	Filter chamber cover	1
P5	Filter chamber rubber gasket	1
P6	Filter cartridge	1
P7	Filter chamber	1
P9	Power cable	1
P10	O ring	2
P11	Hose Clamp	4
P12	Connector Hose	2
P13	Filter Net Only for 300&530gal	2
P14	Connector Only for 300&530gal	2

Installation Instructions

Please see the diagram of Page 6 & Page 7 for reference.

1. Before start to install filter pump, make sure to set up the pool and fill the water firstly, following the pool's installation instructions step by step. Operate the filter pump only when the water has reached the maximum level in the pool. Low water pressure in the pump may result in noisy motor sound.
2. Remove the filter pump and hoses from the packaging.
3. Place the Filter Pump below pool water at least 0,2 m and shall not over 1,0 m.
4. Please Note: The filter pump needs to be mounted on a solid and even ground. There are mounting holes located in the pump base and you can mount the pump with screws.
5. Put the Filter Cartridge (P6) into the Filter chamber (P7) and make sure the Filter Cartridge (P6) is inside of the Filter chamber (P7).
6. Put Filter Housing O-Ring (P5) on Filter chamber (P7).
7. Put Filter Housing Cover (P3) on Filter chamber (P7).
8. Then finger tighten the Filter chamber cover retainer (P3) in a clockwise motion.
9. Connect one Filter Hose (P12) to the inlet port of the Filter Pump (top) and the lower hose connection of the pool. Fix the hose with the hose clamps (P11).
10. Gently turn the air release valve (P1) in a counter-clockwise direction 1-2 turns.
11. Connect the 2nd Filter Hose (P12) to the upper hose connection of the pool and the outlet port (bottom) of the Filter Pump (see page 7). Fix the hose with the hose clamps.
12. The sound pressure level is less than 82 dB (A).

INSTALLATION ILLUSTRATION

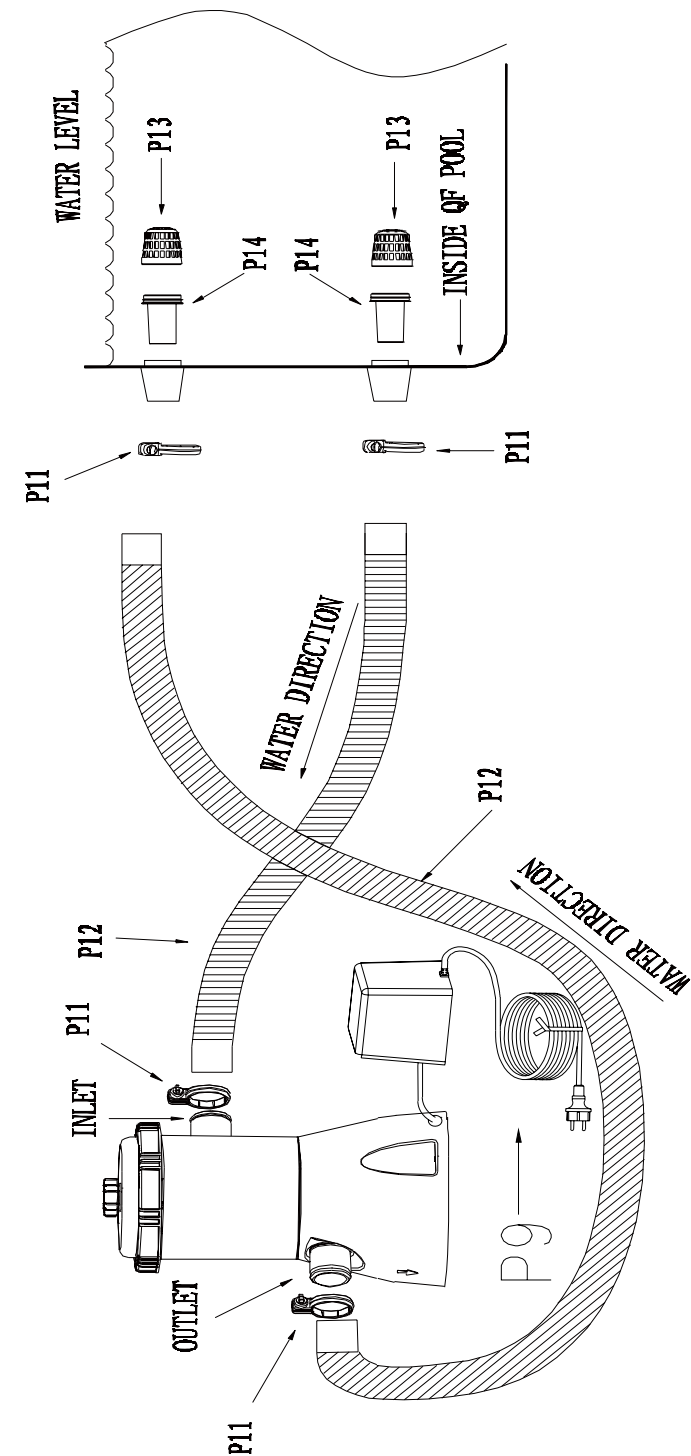


ILLUSTRATION NOT TO SCALE

Operating Instructions

1. Make sure the pool is already filled with water and place the Filter Pump at suitable position.
2. With water flowing into the filter pump, the water pressure will allow the air entered inside to escape from the air release valve (P1).
3. Then gently finger tighten the air release valve (P1) in a clockwise direction.
4. Connect the power supply cord of adapter to AC 230V to operate the Filter Pump until the clarity of the water in pool is obtained.

General Maintenance

1. Disconnect power to motor before working on pump or motor.
2. Depending on the parts usage, keep some spare available, strongly command to have two Filter Cartridges for spare use.
3. No lubrication or regular mechanical maintenance are needed.
4. Wash outside of filter with a mild detergent and water, rinsing off with hose.
5. Do not use solvents to clean filter; solvents may damage plastic components in system.
6. Maintain pH level at 7.0 to 7.4 in pool.
7. The voltage of adapter is AC 230V.
8. Do not place the Filter Pump in tall grass it might cause the motor's overheating.
9. After pool water is completely emptied out, remove all pool hoses from pool and Filter-Pump.
10. Exhaust water from all housings of the Filter Pump.
11. Store all filter pieces in a dry storage location and with ventilation. Before storage, make sure all parts are dry.
12. You can store the Filter Pump in a dry location and take advantage of the original packing carton for storage for next season usage.

Cleaning and Replacement

1. Make sure the 230 V adapter disconnect the power supply cord from the electric outlet.
2. In a counter-clockwise direction to remove the Filter chamber cover retainer (P3). Place it in a safe location.
3. Clean the used Filter Cartridge (P6) or replace it if necessary.
4. Check the inside of the Filter chamber (P7).
5. If dirt or sediment is found on the bottom of the housing then e.g. with a bucket of water or a garden hose to flush the housing out of sediment or dirt.
6. Return the Filter chamber cover retainer (P3) to its position and in a clockwise direction to fasten onto the Filter Housing.
7. Reconnect the power supply cord of adapter.

Trouble Shooting Guide

PUMP DOES NOT OPERATE:

- A. Check for blown fuses, circuit breakers, or disconnected electrical wiring.
- B. Check motor. If motor is too hot or overload shut it off. Let motor cool down.
- C. Consult expert.

MOTOR RUNS, BUT DOES NOT PUMP WATER OR WATERFLOW IS TOO SLOW:

- A. Check for obstructions in intake hose or discharge hose inside pool wall.
- B. Tighten hose clamps, check hoses for damage, check pool water level.
- C. Clean filter cartridge more often. Reusable and easy to clean e.g. with garden hose.
- D. Replace filter cartridge.
- E. Consult expert.

PUMP LOSES PRIME

- A. Make sure water level in pool is at least 5 cm above bottom of skimmer throat with system not operating.
- B. Make sure there are no leaks in suction piping.
- C. Check if the filter cartridge is dirty and needs cleaning. Reusable and easy to clean e.g. with garden hose.
- D. Consult expert.

FILTER DOES NOT CLEAN POOL

- A. Adjust chlorine and pH level.
- B. Clean or replace filter cartridge. Reusable and easy to clean e. g. with garden hose.
- C. Check for holes in cartridge. Replace if damaged.
- D. Let pump operate more longer.
- E. Clean away debris from strainer screen at pool wall.
- F. Consult expert.

LIMITED WARRANTY

ATTENTION CUSTOMER - Please read this statement carefully and keeps your original store receipt along with this warranty certificate at all times. Your receipt is required as proof of purchase and to verify the length of your pool ownership.

We warrant all components contained in this filter pump against defects in materials and workmanship under normal use and service, for a period of 365 days from the date of purchase for the original owner only. If any of the components have been consumer-replaced, damaged, or misused, the corresponding warranty on those components is invalidated. In this situation, you will be advised of the cost of replacement parts and processing instructions. Please register warranty within 30 days of purchase on www.jilong.com in order to validate your warranty.

If a verifiable manufacturing defect is found during the relevant time period, we agree to repair or replace at its option any Pumps under warranty provided proper proof of purchase is presented.

This limited warranty is not valid if the pool is used for commercial purposes, or if the damage is caused by an accident, an act of God, consumer misuse, neglect or abuse, vandalism, improper use of chemicals, exposure to extreme weather conditions or negligence during pool set up or disassembly.

We cannot be held responsible for the cost of installation (including water), labor, or transportation expenses incurred due to the replacement of defective parts. This limited warranty, furthermore, does not cover any unauthorized alterations to the pool system.

SHANGHAI JILONG SPORT AND LEISURE PRODUCTS CO., LTD

2555 XiuPu Road, Pudong Area, Shanghai, China.

www.JLeisure-Global.com

JIANGSU JILONG SPORT AND LEISURE PRODUCTS CO., LTD

NO.1 Industrial Area South Zhongchen Road Zhongyang Town, Suqian, Jiangsu, China

Correct Disposal of this product

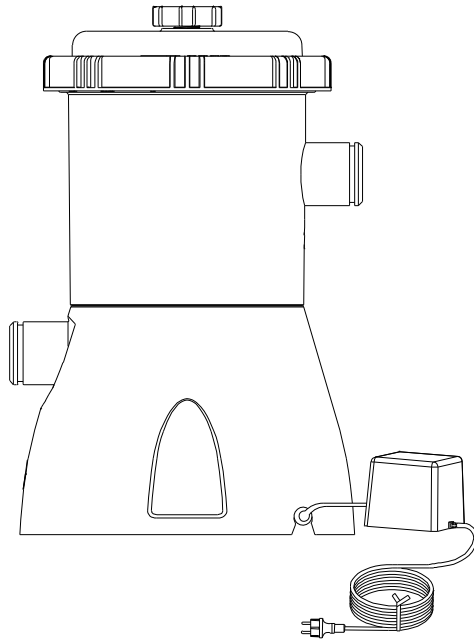


This marking indicates that this product should not be disposed with other household wastes throughout the EU. To prevent possible harm to the environment or human health from uncontrolled waste disposal, recycle it responsibly to promote the sustainable reuse of material resources. To return your used device, please use the return and collection systems or contact the retailer where the product was purchased. They can take this product for environmental safe recycling.

avenli

SUPER CLEAN-FILTERPUMPE BEDIENUNGSANLEITUNG

29P414DE/29P415DE/29P416DE/29P417DE



Achtung: Lesen Sie die gesamte Anleitung sorgfältig durch, bevor Sie die Filterpumpe installieren.

INHALT

Anleitung	3
Sicherheitshinweise.....	3-5
Teilleiste und Illustration	5-6
Installationsanleitung.....	6
Installationsabbildung	7
Betrieb.....	8
Allgemeine Wartung	8
Wartung und Austausch.....	8
Problemlösung	9-10
Eingeschränkte Garantie	10

Anleitung

Vielen Dank für den Kauf unserer Filterpumpe. Wir sind sicher, dass auch Sie unter Produkt leicht installieren und effektiv nutzen kann.

Dieses Filterpumpensystem wurde nach höchsten Qualitätsansprüchen hergestellt und sorgt für kristallklares Wasser in Ihrem Prompt Set-Pool oder in Ihrem runden, ovalen oder rechteckigen Stahlrahmen-Pool. Die Jilong-Filterpumpe bietet Ihnen optimale Leistung bei höchster Qualität; sie kombiniert überragende Filterungseigenschaften und weitere

Merkmale:

Entwickelt für überirdische Pools

Hohe Filter-Durchflussrate

Einfache Installation und einfacher Bedienung.

Geringe Wartungs- und Betriebskosten

Leiser und effektiver Betrieb

Hochwertige, zertifizierte Konstruktion

Zuverlässiger Betrieb, korrosionsgeschützte und verstärkte Materialien

Elegantes und ansprechendes Design

Geringe Abmessungen, im Winter leicht und einfach zu verstauen

UL- & GS-zertifizierte Filterpumpe

Sicherheit für Schwimmer und Umgebung

In dieser Anleitung zu Ihrem Filterpumpensystem finden Sie sämtliche Anweisungen, die Sie zur einfachen Installation und zum effektiven Betrieb dieses modernen Filterpumpensystems benötigen.

Zusätzlich zu Hinweisen zu Installation und Betrieb finden Sie auch einige sehr wichtige Warn- und Sicherheitshinweise, die für einen sicheren Betrieb und problemlosen Einsatz Ihres neuen Filterpumpensystems sorgen. Es ist sehr wichtig, sich etwas Zeit zu nehmen und die gesamte Anleitung (insbesondere die Sicherheitshinweise) gründlich durchzulesen und sämtlichen weiteren Personen zur Verfügung zu stellen, die Ihren Pool benutzen.

Bitte lesen Sie diese Anleitung gründlich durch, bevor Sie das Gerät zum ersten Mal benutzen.

Sicherheitshinweise

Halten Sie sich bei Installation und Einsatz dieses Elektrogerätes an die folgenden, wichtigen Punkte; gehen Sie mit Sorgfalt vor.

WARNUNG Überprüfen Sie sämtliche Klemmen und das Zubehör, bevor Sie

die Pumpe starten.

WARNUNG Graben Sie das Stromversorgungskabel nicht ein. Verlegen Sie das Stromversorgungskabel so, dass es nicht von Rasenmähern, Heckentrimmern oder anderen Geräten beschädigt werden kann.

WARNUNG Dieses Gerät darf nicht von Personen (einschließlich Kindern) benutzt werden, die unter körperlichen oder geistigen Einschränkungen leiden oder denen es an der nötigen Erfahrung im Umgang mit solchen Geräten mangelt. Eine Ausnahme kann gemacht werden, wenn solche Personen ständig beaufsichtigt werden und/oder gründlich in der Verwendung des Gerätes unterwiesen wurden. Kinder sollten grundsätzlich beaufsichtigt werden, damit sie nicht mit dem Gerät spielen.

WARNUNG Missbrauchen Sie die Filterpumpe nicht zum Absaugen des Pools. Das Gerät darf lediglich zum Leeren eines aufstellbaren Pools, nicht zum Leeren eines in den Boden eingelassenen Pools eingesetzt werden.

WARNUNG Stromversorgungskabel und Eingangskabel der Pumpe können nicht ausgetauscht werden. Falls Stromversorgungskabel oder Eingangskabel beschädigt werden, sollten Netzteil oder Pumpe entsorgt werden.

WARNUNG Stellen Sie das 230 V-Netzteil nicht in der Nähe des Pools auf. Netzteil und Steckdose sollten sich mindestens 3,5 m vom Pool entfernt befinden. Pumpe und Adapter dürfen nicht an Stellen installiert werden, an denen sie überflutet werden könnten oder an denen keine geeignete Steckdose zur Verfügung steht.

WARNUNG Achten Sie darauf, dass die Außensteckdose mit einem Fehlerstromschutzschalter (FI/RCD) mit einem Auslösestrom von maximal 30 mA abgesichert ist.

WARNUNG Tauchen Sie weder Filterpumpe noch Netzteil in Wasser oder andere Flüssigkeiten.

WARNUNG Die Filterpumpe muss vor dem Einschalten mit Schrauben auf einer sterilen Unterlage fixiert werden.

WARNUNG Achten Sie darauf, dass sich der Filterpumpenmotor nicht überhitzt. Sorgen Sie dafür, dass die Pumpe stets mit Wasser gefüllt ist, also nicht leer arbeitet. Falscher Einsatz kann zu Überhitzung und somit zu Beschädigungen durch Durchbrennen des Motors führen.

WARNUNG Im System verbleibende Luft lässt die Pumpe schneller laufen und führt zu Beschädigungen. Drehen Sie das Luftablassventil (P1) leicht auf, um sämtliche restliche Luft aus dem Schlauch und der Filterpumpe entweichen zu lassen.

Warnung: Dieses Gerät kann von Kindern ab 8 Jahren und Menschen mit

eingeschränkten physischen, sensorischen oder mentalen Fähigkeiten oder einem Mangel an Erfahrung und Wissen genutzt werden, sofern sie beaufsichtigt werden oder in der sicheren Benutzung des Gerätes unterwiesen wurden und die damit verbundenen Gefahren verstehen. Kinder dürfen nicht mit dem Gerät spielen. Reinigung und Benutzerwartung dürfen nicht von Kindern durchgeführt werden, sofern sie nicht beaufsichtigt werden. **Warnung:** Das Netzkabel kann nicht ersetzt werden; falls das Kabel beschädigt ist, muss das Gerät entsorgt werden.

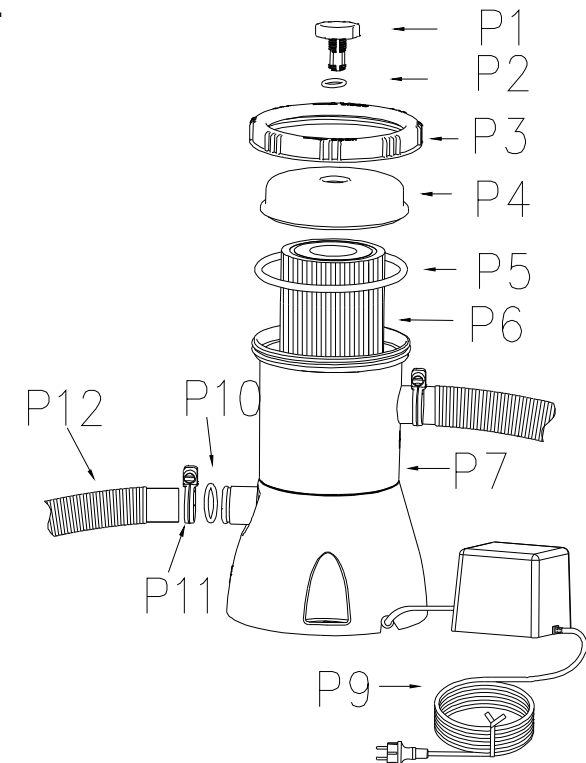
Warnung: Die Pumpe darf nicht verwendet werden, wenn sich Personen im Wasser befinden.

Warnung: Die Pumpe muss über einer Fehlerstromschutzeinrichtung versorgt werden, deren Bemessungsdifferenzstrom 30 mA nicht überschreitet.

Warnung: Maximaler Gesamtdruck 0,9 in Metern (für Pumpen mit einer Nennleistung über 50 W)

Warnung: Sie sollte mindestens 2 m vom Pool installiert werden; der Stecker sollte sich 3,5 m vom Pool entfernt befinden. (Nur für französischen Markt)

Warnung: Die Pumpe muss mit Φ -5-Bolzen oder -Schrauben am Boden oder einem Standfuß befestigt werden, damit sie nicht versehentlich herunterfällt (siehe nächstes Bild).



Nummer	Beschreibung	Menge
P1	Luftablassventil	1
P2	Luftablassventildichtung	1
P3	Filtergehäusedeckelhalter	1
P4	Filtergehäusedeckel	1
P5	Filtergehäuse-Gummidichtung	1
P6	Filterkassette	1
P7	Filtergehäuse	1
P9	Netzkabel	1
P10	O-Ring	2
P11	Schlauchklemme	4
P12	Anschlussschlauch	2
P13	Filter Net nur für 300&530gal	2
P14	Stecker nur für 300&530gal	2

Installationsanleitung

Schauen Sie sich die Abbildungen auf den Seiten 6 und 7 an.

1. Stellen Sie den Pool vollständig auf, füllen Sie den Pool mit Wasser, bevor Sie mit der Installation der Filterpumpe beginnen. Halten sich dabei an die einzelnen Installationsschritte. Schalten Sie die Filterpumpe erst dann ein, wenn der Pool vollständig mit Wasser gefüllt wurde. Zu geringer Wasserdruck kann zu verstärkten Betriebsgeräuschen führen.
2. Nehmen Sie Filterpumpe und Schläuche aus der Verpackung.
3. Stellen Sie die Filterpumpe so auf, dass sie 20 cm bis 1 m unter dem Wasserspiegel steht.
4. Bitte beachten: Die Filterpumpe muss auf einer stabilen und ebenen Unterlage montiert werden. Am Boden der Pumpe befinden sich Montagebohrungen zum Fixieren der Pumpe mit Schrauben.
5. Setzen Sie die Filterkassette (P6) in das Filtergehäuse (P7) ein, achten Sie darauf, dass sich die Filterkassette komplett innerhalb des Filtergehäuses befindet.
6. Setzen Sie den O-Ring (P5) auf das Filtergehäuse (P7).
7. Setzen Sie den Filtergehäusedeckel (P3) auf das Filtergehäuse (P7).
8. Ziehen Sie den Filtergehäusedeckel (P3) anschließend handfest im Uhrzeigersinn an.
9. Schließen Sie den ersten Filterschlauch (P12) an den Einlass der Filterpumpe (oben) an, verbinden Sie den Schlauch anschließend mit dem unteren Schlauchanschluss des Pools. Fixieren Sie den Schlauch mit den

Installationsabbildung

10. Drehen Sie das Luftablassventil (P1) langsam ein bis zwei Umdrehungen gegen den Uhrzeigersinn.
11. Schließen Sie den zweiten Filterschlauch (P12) an den oberen Schlauchanschluss des Pools und an den Auslass (unten) der Filterpumpe an (siehe Seite 7). Fixieren Sie den Schlauch mit den Schlauchklemmen.
12. Der Schalldruck beträgt weniger als 82 dB (A).

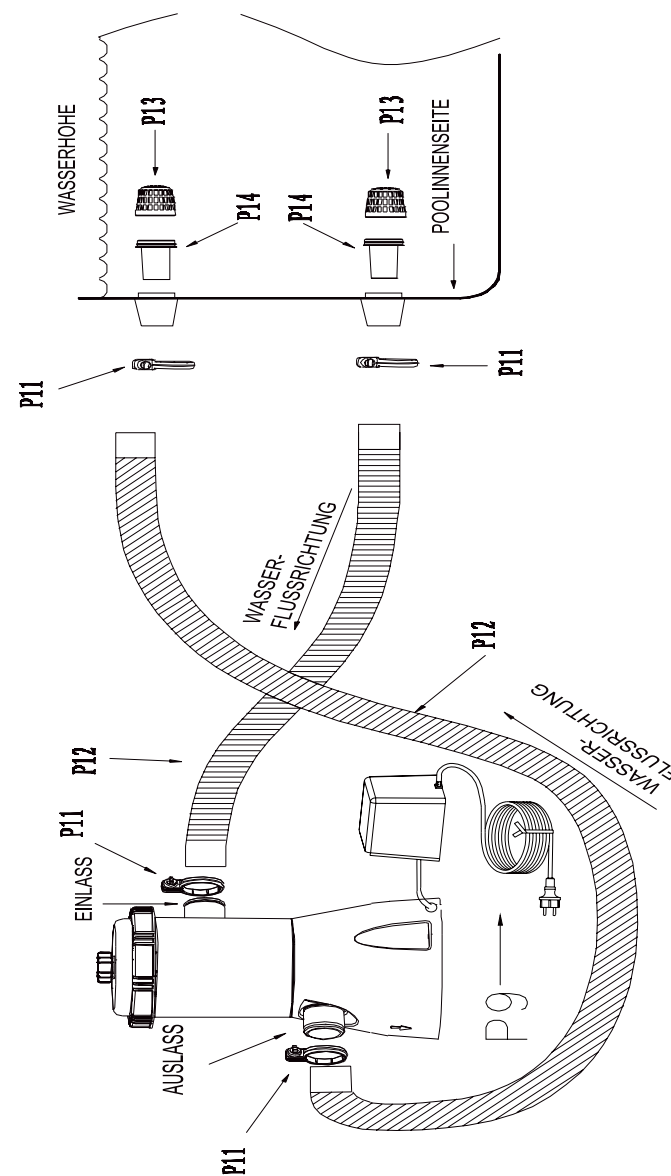


Abbildung nicht maßstabsgerecht

Betrieb

1. Achten Sie darauf, dass der Pool bereits vollständig mit Wasser gefüllt ist und die Filterpumpe an einer geeigneten Stelle aufgestellt wurde.
2. Wenn Wasser in die Filterpumpe fließt, kann eingeschlossene Luft über das Luftablassventil (P1) entweichen.
3. Schließen Sie das Luftablassventil (P1) anschließend langsam durch Drehung im Uhrzeigersinn.
4. Schließen Sie das Netzteil an eine 230 V-Steckdose an, lassen Sie die Filterpumpe laufen, bis das Wasser im Pool ausreichend gereinigt ist.

Allgemeine Wartung

1. Trennen Sie die Stromversorgung des Motors, bevor Sie an der Pumpe oder am Motor arbeiten.
2. Halten Sie – je nach Nutzungsintensität – stets einige Ersatzteile bereit; wir empfehlen dringend, ständig zwei Ersatz-Filterkassetten zur Hand zu haben.
3. Das Gerät muss nicht geschmiert werden, es ist keine regelmäßige mechanische Wartung erforderlich.
4. Waschen Sie die Außenseite der Filterpumpe mit Wasser und einem milden Reinigungsmittel ab, spülen Sie mit klarem Wasser (Wasserschlauch) nach.
5. Benutzen Sie keinerlei Lösungsmittel zum Reinigen der Filterpumpe: Lösungsmittel können die Kunststoffteile des Systems beschädigen.
6. Halten Sie den pH-Wert des Pool-Wassers bei 7,0 bis 7,4.
7. Das Netzteil ist auf 230 V Wechselspannung ausgelegt.
8. Platzieren Sie die Filterpumpe nicht in hohem Gras; dies kann zur Überhitzung des Motors führen.
9. Nachdem das Wasser komplett aus dem Pool abgelassen wurde, trennen Sie sämtliche Schläuche vom Pool und der Filterpumpe.
10. Lassen Sie das Wasser vollständig aus der Filterpumpe ablaufen.
11. Lagern Sie sämtliche Teile an einem trockenen, gut belüfteten Ort. Achten Sie darauf, dass sämtliche Teile vor dem Verstauen vollständig trocken sind.
12. Sie können die Filterpumpe bis zum nächsten Einsatz in der Originalverpackung an einem trockenen Ort lagern.

Wartung und Austausch

1. Trennen Sie das Netzkabel vollständig von der Stromversorgung.
2. Lösen Sie den Filtergehäusedeckel (P3) durch Drehen gegen den Uhrzeigersinn, legen Sie den Deckel an einer sauberen Stelle ab.
3. Reinigen Sie die Filterkassette (P6), tauschen Sie die Kassette bei Bedarf aus.
4. Überprüfen Sie das Innere des Filtergehäuses (P7).

5. Falls sich Schmutz oder andere Ablagerungen am Boden des Gehäuses finden, spülen Sie die Verschmutzungen mit einem Eimer Wasser oder einem Gartenschlauch aus dem Gehäuse.
6. Setzen Sie den Filtergehäusedeckel (P3) wieder auf, verschrauben Sie ihn durch Drehen im Uhrzeigersinn wieder mit dem Filtergehäuse.
7. Schließen Sie das Netzkabel wieder an.

Problemlösung

1. Pumpe arbeitet nicht:
 - A. Prüfen Sie, ob Sicherungen durchgebrannt sind oder ausgelöst wurden, prüfen Sie auf gelöste elektrische Verkabelung.
 - B. Überprüfen Sie den Motor. Falls der Motor überhitzt oder überlastet wird, schalten Sie das Gerät ab. Lassen Sie den Motor abkühlen.
 - C. Wenden Sie sich an einen Fachmann.
2. Der Motor läuft, allerdings wird kein oder nur wenig Wasser gefördert:
 - A. Prüfen Sie auf Hindernisse im Einlassschlauch oder Auslassschlauch innerhalb der Poolwandung.
 - B. Ziehen Sie Schlauchklemmen fest, überprüfen den Schlauch auf Beschädigungen, prüfen Sie den Wasserstand im Pool.
 - C. Reinigen Sie die Filterkassette häufiger. Dies lässt sich leicht mit einem Gartenschlauch erledigen.
 - D. Tauschen Sie die Filterkassette aus.
 - E. Wenden Sie sich an einen Fachmann.
3. Die Pumpe zieht kein Wasser mehr
 - A. Achten Sie darauf, dass der Wasserstand im Pool bei ausgeschalteter Pumpe mindestens 5 cm oberhalb der Absaugöffnung liegt.
 - B. Vergewissern Sie sich, dass der Ansaugschlauch nicht beschädigt sind.
 - C. Überprüfen Sie die Filterkassette auf Verschmutzungen; reinigen Sie diese bei Bedarf. Dies lässt sich leicht mit einem Gartenschlauch erledigen.
 - D. Wenden Sie sich an einen Fachmann.
4. Die Pumpe reinigt das Wasser nicht
 - A. Stellen Sie Chlorgehalt und pH-Wert richtig ein.
 - B. Tauschen Sie die Filterkassette aus oder reinigen Sie diese. Dies lässt sich leicht mit einem Gartenschlauch erledigen.
 - C. Überprüfen Sie die Kassette auf Beschädigungen; tauschen Sie die Kassette bei Bedarf aus.
 - D. Lassen Sie die Pumpe länger arbeiten.
 - E. Entfernen Sie an den Sieben in der Poolwand angesammelte Verunreinigungen.
 - F. Wenden Sie sich an einen Fachmann.

Eingeschränkte Garantie

LIEBER KUNDE - Bitte lesen Sie die folgenden Hinweise aufmerksam durch, bewahren Sie Ihre Kaufquittung zusammen mit diesem Garantiezertifikat auf. Die Kaufquittung wird als Eigentumsbeleg und zum Nachweis Ihres Garantieanspruchs benötigt.

Wir haften bei normalem Gebrauch über einen Zeitraum von 365 Tagen ab Erstkaufdatum für sämtliche Material- und Herstellungsfehler des Produktes. Falls Komponenten ganz oder teilweise vom Endanwender ausgetauscht, beschädigt oder missbräuchlich genutzt wurden, erlischt die Garantie für diese Komponenten. In diesem Fall werden Sie auf die Kosten von Ersatzteilen und auf die jeweilige Vorgehensweise hingewiesen. Bitte registrieren Sie Ihr Produkt innerhalb 30 Tagen nach dem Kauf bei www.jilong.com, damit Sie Garantieleistungen in Anspruch nehmen können.

Bei nachweislichen Herstellungsfehlern reparieren wir sämtliche Produkte innerhalb der Garantiezeit oder führen (nach unserem Ermessen) einen Austausch durch. Dazu muss ein Kaufbeleg vorgelegt werden.

Diese eingeschränkte Garantie gilt nicht, wenn das Produkt kommerziell eingesetzt wurde oder Schäden durch Unfälle, Höhere Gewalt, Missbrauch, Fahrlässigkeit, Vandalismus, falschen Einsatz von Chemikalien, extreme Witterung oder Fahrlässigkeit bei der Montage oder Demontage eintraten.

Wir haften nicht für Aufstellungs- und Installationskosten, Arbeitsaufwand oder Transportkosten zum Austausch von defekten Teilen. Darüber hinaus gilt diese eingeschränkte Garantie nicht bei nicht autorisierten Modifikationen des Produktes.

SHANGHAI JILONG SPORT AND LEISURE PRODUCTS CO., LTD

2555 XiuPu Road, Pudong Area, Shanghai, China.

www.JLeisure-Global.com

JIANGSU JILONG SPORT AND LEISURE PRODUCTS CO., LTD

NO.1 Industrial Area South Zhongchen Road Zhongyang Town, Suqian, Jiangsu, China

Korrekte Entsorgung dieses Produkts

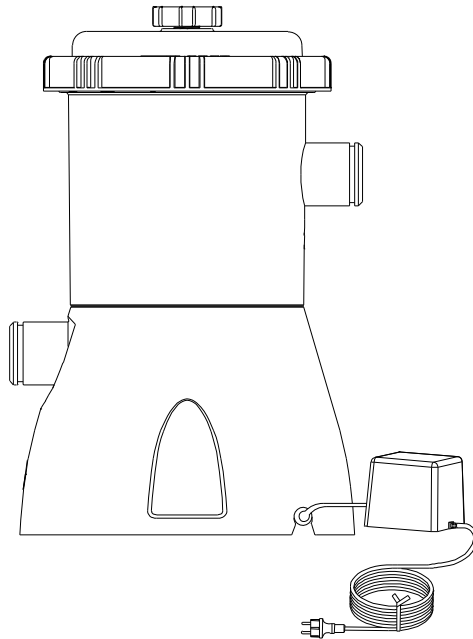


Innerhalb der EU weist dieses Symbol darauf hin, dass dieses Produkt nicht über den Hausmüll entsorgt werden darf. Altgeräte enthalten wertvolle recyclingfähige Materialien, die einer Wiederverwertung zugeführt werden sollten und um der Umwelt bzw. der menschlichen Gesundheit nicht durch unkontrollierte Müllbeseitigung zu schaden. Bitte entsorgen Sie Altgeräte deshalb über geeignete Sammelsysteme oder senden Sie das Gerät zur Entsorgung an die Stelle, bei der Sie es gekauft haben. Diese wird dann das Gerät der stofflichen Verwertung zuführen.

avenli

HANDLEIDING SUPERREINIGENDE FILTERPOMP

29P414DE/29P415DE/29P416DE/29P417DE



**Opgelet: lees alle instructies nauwkeurig voordat u de
filterpomp installeert.**

INHOUDSOPGAVE

Instructie.....	2-3
Veiligheidsinstructies	3-5
Lijst & afbeelding onderdelen	5-6
Installatie-instructies	6
Installatie-afbeeldingen	7
Besturingsinstructies	8
Algemeen onderhoud	8
Reiniging en vervanging	8
Richtlijnen probleemoplossen.....	9-10
Beperkte garantie.....	10

Instructie

Wij danken u voor uw aankoop van onze filterpomp. Wij geloven dat u het vrij eenvoudig zult vinden om het te installeren en efficiënt te presteren.

Dit filterpompsysteem is volgens de hoogste kwaliteitsstandaard gefabriceerd en kunt u seizoenen lang genieten van activiteiten in schoon en helder water in uw nieuw snel opzetbaar zwembad, rond zwembad met stalen frame, zwembad met ovale stalen frame en rechthoekig zwembad met stalen frame. De Jilong-filterpomp is vervaardigd voor kwalitatieve prestaties die een superieure filtering combineren met de volgende functies:
Ontworpen voor zwembad boven de grond

Hoge volumestroom door filter
Eenvoudige installatie en onderhoud
Lage kosten voor onderhoud en bediening
Biedt stille prestatie van hoge kwaliteit
Kwalitatief gecertificeerde constructie
Betrouwbaar, corrosiebestendig en versterkt materiaal
Elegant en aangenaam ontwerp
Kleinere afmetingen, gemakkelijk en compact op te slaan voor winter
UL- & GS-gecertificeerde filterpomp
Veiliger voor het zwemmen en voor de omgeving

Deze handleiding van het filterpompsysteem biedt u eenvoudige instructies die u moet volgen om dit geavanceerde filterpompsysteem efficiënt te installeren en te bedienen.

Behalve de opzetinstructies en bedieningsrichtlijnen, hebben we ook enkele zeer belangrijke waarschuwingen en voorzichtigheidsverklaringen toegevoegd die het veilige gebruik en genot van dit nieuwe filterpompsysteem verzekeren. Het is zeer belangrijk dat u de tijd neemt en ze allemaal doorleest en ze met de personen deelt die uiteindelijk van het gebruik van uw zwembad zullen genieten.

Zorg dat u voor het eerste gebruik de informatie uit deze handleiding leest en begrijpt.

Veiligheidsinstructies

Volg de onderstaande belangrijke punten en neem de vermelde voorzorgsmaatregelen wanneer u deze elektrische apparatuur wilt installeren en gebruiken:

WAARSCHUWING Controleer alle klemmen en systeemaccessoires voordat u de pomp start.

WAARSCHUWING Dek de voedingskabel of adapter niet af. Plaats de voedingskabel of adapter waar deze niet door grasmaaiers, heggenscharen en andere apparatuur kan worden beschadigd.

WAARSCHUWING Het apparaat is niet bedoeld voor gebruik door personen (inclusief kinderen) met verminderde lichamelijke, zintuiglijke of mentale vermogens, of met gebrek aan ervaring en kennis, tenzij ze onder toezicht staan of de nodige instructies betreffende het gebruik van het apparaat hebben ontvangen door een persoon die verantwoordelijk is voor hun veiligheid. Kinderen moeten onder toezicht zijn om te verzekeren dat zij niet met het apparaat spelen.

WAARSCHUWING Deze filterpomp niet gebruiken om het zwembad te zuigen. Dit product is alleen ontworpen voor een zwembad dat kan worden opgeslagen en niet voor een permanent geïnstalleerd zwembad.

WAARSCHUWING De voedingskabel van de adapter en de ingangskabel van de pomp kunnen niet worden vervangen. Als de voedingskabel of ingangskabel beschadigd is, moet de adapter of pomp worden afgedankt

WAARSCHUWING Plaats de 230 V adapter niet in de buurt van het zwembad. De transformator en de contactdoos moeten op een afstand van meer dan 3,5 m van het zwembad liggen. De pomp en adapter mogen niet worden geïnstalleerd in gebieden die kunnen overstromen (en die geen geschikte uitgang hebben).

WAARSCHUWING Zorg dat de buitencontactdoos beschermd is door een apparaat op reststroom (RCD) met een nominale reststroom van maximaal 30 mA.

WAARSCHUWING Laat de filterpomp of adapter niet in water vallen.

WAARSCHUWING Voordat u de filterpomp start, moet u de filtervoet met schroeven bevestigen op een effen oppervlak.

WAARSCHUWING Vermijd oververhitting op de filterpomp motor. Zorg dat de pomp met water wordt geactiveerd en haal de pomp nooit uit het water terwijl het apparaat wordt gebruikt. Onjuist gebruik kan oververhitting veroorzaken, wat tot uitval van de motor of schade kan leiden.

WAARSCHUWING De resterende lucht zal de pomp laten doorslaan en de filterpomp beschadigen. Draai voorzichtig aan de luchtafsluiter (P1) om alle lucht uit de slang en filterbehuizing te stuwen.

WAARSCHUWING: Dit toestel kan worden gebruikt door kinderen vanaf 8 jaar en personen met een verminderde lichamelijke, zintuiglijke of mentale vermogens, of met gebrek aan ervaring en kennis, als ze onder toezicht staan of de nodige instructies betreffende het veilige gebruik van het apparaat hebben ontvangen en als ze de gevaren begrijpen. Kinderen mogen niet met het toestel spelen. De reiniging en het gebruikersonderhoud mag niet gebeuren door kinderen zonder toezicht.

WAARSCHUWING: de voedingskabel kan niet worden vervangen. Als de kabel beschadigd is, moet het apparaat worden afgedankt.

WAARSCHUWING: de pomp mag niet worden gebruikt wanneer er mensen in het water zitten.

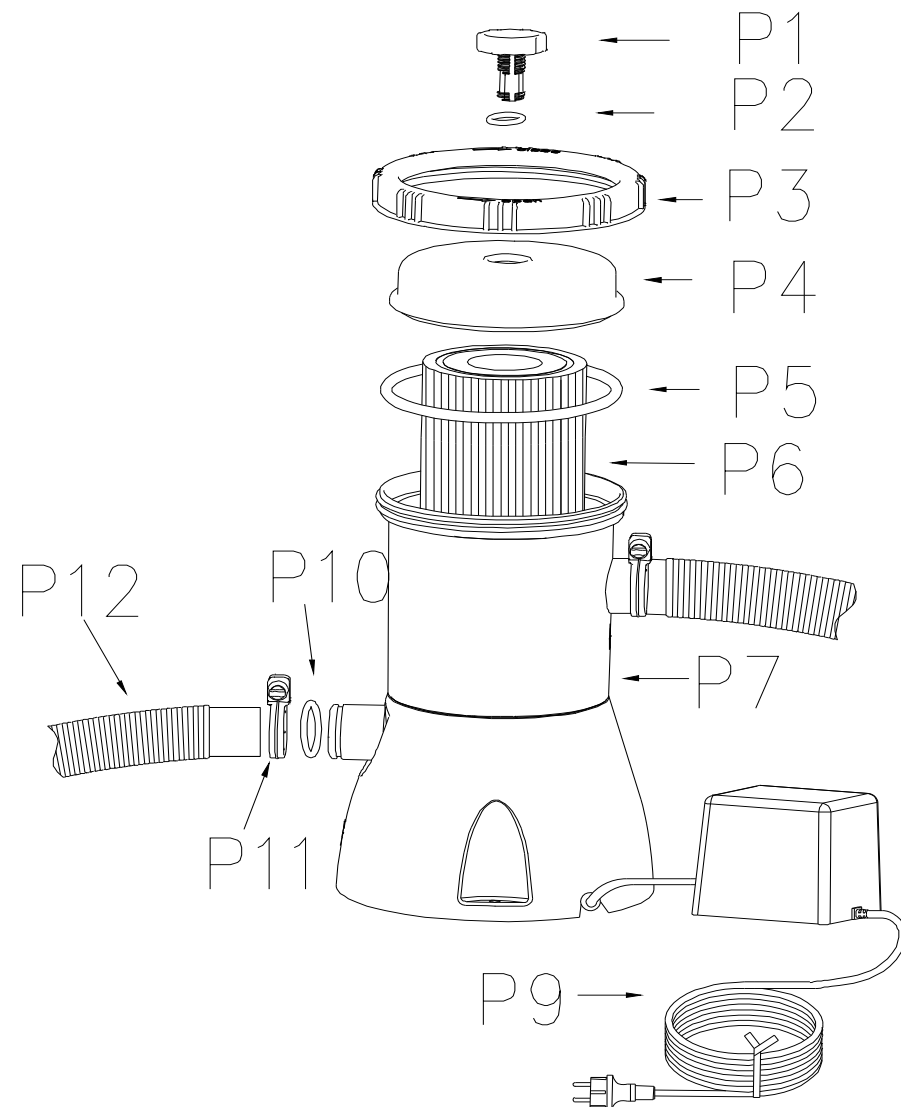
WAARSCHUWING: De pomp moet van stroom worden voorzien via een differentieelschakelaar (RCD) met een nominale restwerkstroom die niet hoger is dan 30mA.

WAARSCHUWING: de maximale totale kop 0,9 in meter (voor pompen met een

nominale voedingsingang van meer dan 50W)

WAARSCHUWING: dit moet minstens 2 m van het zwembad worden geïnstalleerd en de stekker moet zich op 3,5m van het zwembad bevinden. (Alleen voor de Franse markt)

WAARSCHUWING: de pomp moet op de grond of op een standaard worden bevestigd met twee $\Phi 5$ bouten of schroeven om te voorkomen dat deze per ongeluk omvalt (zie volgende afbeelding).



Artikelnr.	Beschrijving	Aantal
P1	Klep ontluchting	1
P2	Verzegeling klep ontluchting	1
P3	Houder klep filterkamer	1
P4	Klep filterkamer	1
P5	Rubber afdekking filterkamer	1
P6	Filterpatroon	1
P7	Filterkamer	1
P9	Voedingskabel	1
P10	O-ring	2
P11	Slangklem	4
P12	Slangconnector	2
P13	Filternet alleen voor 1150&2000 liter	2
P14	Connector alleen voor 1150&2000 liter	2

Installatie-instructies

Raadpleeg het schema op pagina 6 & 7 voor referentie.

1. Voordat u begint met het installeren van de filterpomp, moet u het zwembad installeren en water vullen. Volg hierbij stapsgewijs de installatie-instructies van het zwembad. Bedien de filterpomp alleen wanneer het water het maximumniveau in het zwembad heeft bereikt. Een lage waterdruk in de pomp kan leiden tot een luid motorgeluid.

2. Verwijder de filterpomp en slangen uit de verpakking.

3. Plaats de filterpomp minstens 0,2 m en maximum 1 m onder het wateroppervlak.

4. Opgelet: de filterpomp moet worden gemonteerd op een stevige en effen ondergrond. Er bevinden zich montagegaten in de pompvoet en u kunt de pomp monteren met de schroeven.

5. Plaats het filterpatroon (P6) in de filterkamer (P7) en zorg dat het filterpatroon (P6) zich in de filterkamer (P7) bevindt.

6. Plaats de rubber afdekking voor de filterkamer (P5) op de filterkamer (P7).

7. Plaats de houder van de klep van de filterkamer (P3) op de filterkamer (P7).

8. Maak vervolgens de houder van de klep van de filterkamer (P3) met de vingers vast naar rechts.

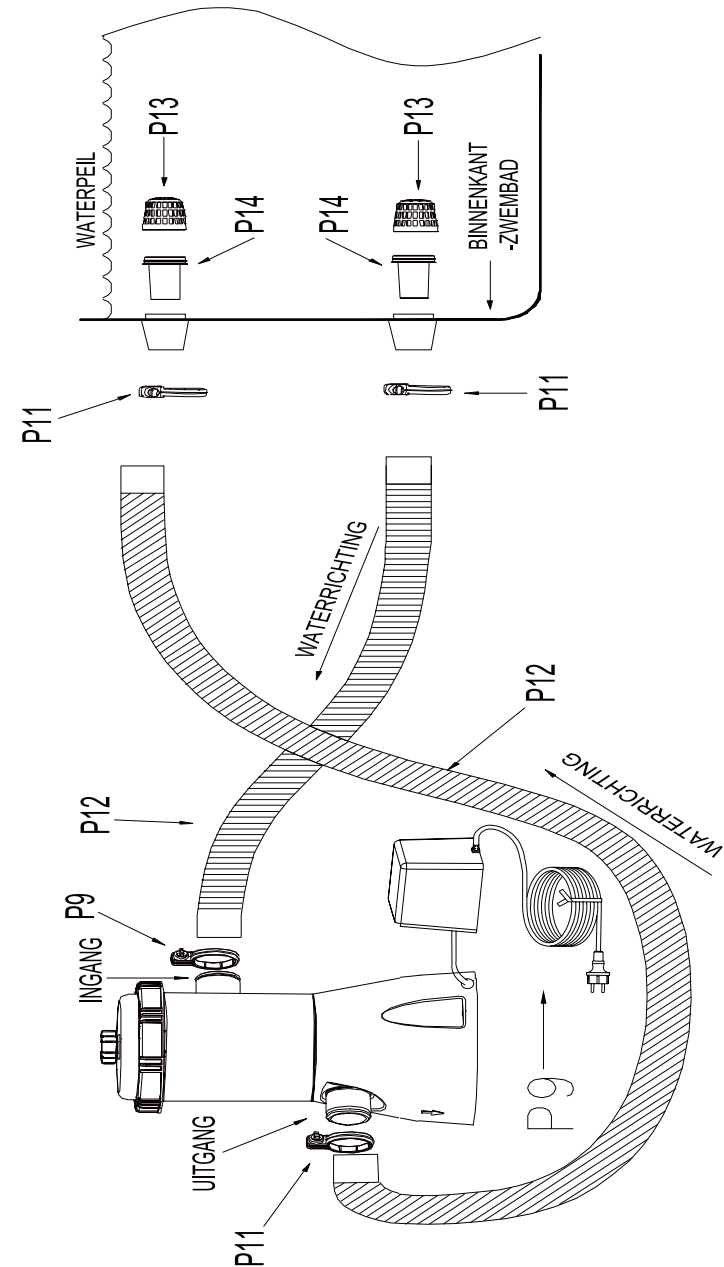
9. Verbind één aansluitslang (P12) met de ingang van de filterpomp (boven) en de onderste slangaansluitingen van het zwembad. Bevestig de slang met de slangklemmen (P11).

10. Draai de luchtafsluitklep (P1) 1-2 omwentelingen linksom.

11. Verbind de tweede aansluitslang (P12) met de bovenste slangaansluiting van het zwembad en de uitgang (onderaan) van de filterpomp (zie pagina 7). Bevestig de slang met de slangklemmen.

12. Het geluidsdrukkniveau is minder dan 82 dB (A)

INSTALLATIE-AFBEELDINGEN



AFBEELDING NIET OP SCHAAL

Bedieningsinstructies

1. Zorg dat het zwembad al met water is gevuld en plaats de filterpomp op een geschikte positie.
2. Wanneer er water in de filterpomp stroomt, zorgt de waterdruk dat de lucht die is binnengedrongen kan ontsnappen uit de ontluuchtingsklep (P1).
3. Maak vervolgens de ontluuchtingsklep (P1) met de vingers vast naar rechts.
4. Sluit de voedingskabel van de adapter aan op 230V wisselstroom om de filterpomp te bedienen tot de helderheid van het water in het zwembad is verkregen.

Algemeen onderhoud

1. Koppel de voeding van de motor los voordat u werkt aan de pomp of de motor.
2. Afhankelijk van het gebruik van onderdelen, dient u enkele reserveonderdelen beschikbaar te houden. Wij raden u aan twee filterpatronen in reserve te houden.
3. Insmeren of regelmatig mechanisch onderhoud zijn niet nodig.
4. Was de buitenzijde van de filter met een mild schoonmaakmiddel en water en spoel deze af met een slang.
5. Gebruik geen oplosmiddelen om de filter te reinigen. Oplosmiddelen kunnen plastic onderdelen van het systeem beschadigen.
6. Behoud een pH-niveau van 7,0 tot 7,4 in het zwembad.
7. De spanning van de adapter bedraagt AC 230V.
8. Leg de filterpomp niet in hoog gras omdat hierdoor de motor kan oververhitten.
9. Nadat het zwembadwater volledig is afgelaten, moet u alle zwembadslangen uit het zwembad en de filterpomp verwijderen.
10. Laat water weglopen uit alle behuizingen van de filterpomp.
11. Sla alle filteronderdelen op een droge opslagplaats met ventilatie op. Zorg dat alle onderdelen droog zijn voordat u ze opslaat.
12. U kunt de filterpomp op een droge locatie opslaan en de oorspronkelijke kartonnen doos gebruiken voor opslag voor gebruik in het volgende seizoen.

Reiniging en vervanging

1. Zorgt dat de 230 V-adapter en de voedingskabel zijn losgekoppeld van het stopcontact.
2. Draai linksom om de houder van de klep van de filterkamer (P3) te verwijderen. Plaats deze op een veilige plaats.
3. Reinig het gebruikte filterpatroon (P6) of vervang indien nodig.
4. Controleer de binnenzijde van de filterkamer (P7).

5. Als er vuil of afzetting wordt gevonden op de onderkant van de behuizing, gebruikt u een emmer water of een waterslang om deze afzetting of dit vuil uit de behuizing te spoelen.
6. Plaats de houder van de klep van de filterkamer (P3) terug op zijn positie en draai deze naar rechts om de houder te bevestigen op de filterbehuizing.
7. Sluit de voedingskabel of adapter opnieuw aan.

Richtlijnen probleemoplossen

POMP WERKT NIET:

- A. controleren op kapotte zekeringen, stroomonderbrekers of losgekoppelde elektrische bedrading.
- B. Motor controleren. Als de motor te warm wordt of overbelast is, schakelt u deze uit. Laat de motor afkoelen.
- C. Raadpleeg een expert.

DE MOTOR DRAAIT, MAAR POMPT GEEN WATER OF DE WATERSTROOM IS TE TRAG:

- A. Controleer op obstructies in de inlaatslang of uitlaatslang in de wand van het zwembad.
- B. Maak de slangklemmen vast, controleer de slangen op schade, controleer het waterpeil van het zwembad.
- C. Reinig het filterpatroon vaker. Het is herbruikbaar en kan gemakkelijk worden gereinigd met bijv. een tuinslang.
- D. Vervang het filterpatroon.
- E. Raadpleeg een expert.

POMP VERLIEST VERMOGEN

- A. Zorg dat het waterpeil in het zwembad minstens 5 cm boven de onderkant van de hals van het schepnet is terwijl het systeem niet in gebruik is.
- B. Controleer of er geen lekken zijn in de afzuigbuizen.
- C. Controleer of het filterpatroon vuil is en moet worden gereinigd. Het is herbruikbaar en kan gemakkelijk worden gereinigd met bijv. een tuinslang.
- D. Raadpleeg een expert.

FILTER REINIGT ZWEMBAD NIET

- A. Pas het chloor- en pH-gehalte aan.
- B. Filterpatroon reinigen of vervangen. Het is herbruikbaar en kan gemakkelijk worden gereinigd met bijv. een tuinslang.
- C. Controleer het patroon op openingen. Vervangen indien beschadigd.
- D. Laat de pomp langer draaien.
- E. Verwijder afval uit de zeefraster in de wand van het zwembad.
- F. Raadpleeg een expert.

BEPERKTE GARANTIE

ATTENTIE KLANT – Lees deze verklaring aandachtig en bewaar altijd uw oorspronkelijke betaalbon van de winkel samen met dit garantiecertificaat. Uw rekening geldt als bewijs van aankoop en om te bepalen hoe lang u het zwembad al in bezit heeft.

Wij bieden voor alle componenten in deze filterpomp bij normaal gebruik en service, gedurende een periode van 365 dagen vanaf de aankoopdatum, alleen voor de originele koper een garantie tegen defecten in materialen en werkuitvoering. Zijn er onderdelen door de gebruiker vervangen, beschadigd of onjuist gebruikt, dan is de garantie op die onderdelen ongeldig. In dat geval zullen we u informeren over de prijs van vervangingsonderdelen en de verdere instructies. Registreer op www.jilong.com om de garantie binnen 30 dagen na aankoopdatum geldig te maken.

Als gedurende de relevante tijdsperiode een verifieerbare fabrieksfout wordt gevonden, gaan wij als optie van de garantie voor een pomp ermee akkoord om het te repareren of te vervangen, mits het juiste aankoopbewijs wordt getoond.

Deze beperkte garantie is niet geldig als het zwembad voor commerciële doeleinden wordt gebruikt, of bij schade door een ongeluk, natuurramp, verkeerd gebruik, verwaarlozing of misbruik, vandalisme, onjuist gebruik van chemicaliën, blootstelling aan extreme weersomstandigheden of verwaarlozing tijdens het instellen of demonteren van het zwembad.

Wij kunnen niet aansprakelijk worden gesteld voor de kosten van installatie (inclusief water), werkzaamheden of transportkosten die zich door vervanging van defecte onderdelen voordoen. Verder dekt deze beperkte garantie geen onbevoegde wijzigingen die aan het zwembadsysteem zelf worden uitgevoerd.

SHANGHAI JILONG SPORT AND LEISURE PRODUCTS CO., LTD
2555 XiuPu Road, Pudong Area, Shanghai, China.

www.JLeisure-Global.com

JIANGSU JILONG SPORT AND LEISURE PRODUCTS CO., LTD
NO.1 Industrial Area South Zhongchen Road Zhongyang Town, Suqian, Jiangsu, China

Correcte verwijdering van dit product

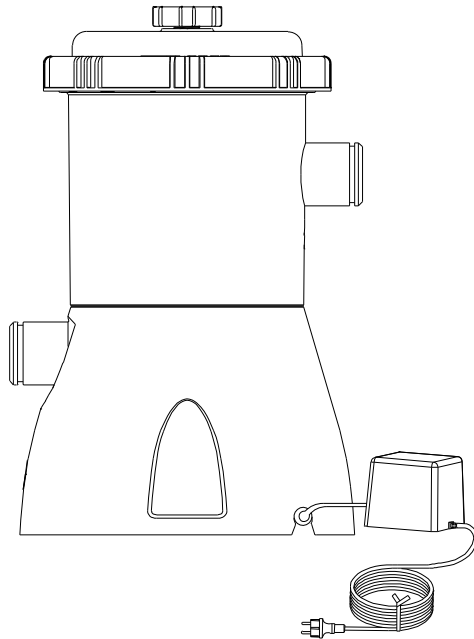


Deze markering geeft aan dat dit product niet mag worden weggegooid met ander huishoudelijk afval in de hele EU. Om mogelijke schade aan het milieu of de menselijke gezondheid door ongecontroleerde afvalverwijdering te voorkomen, moet u het product op een verantwoorde wijze recyclen om duurzaam hergebruik van materiaalbronnen te bevorderen. Om uw versleten apparaat terug te retourneren, kunt u de retour- en verzamelssystemen gebruiken of kunt u contact opnemen met de kleinhandelaar waar het product werd aangeschaft. Zij kunnen dit product terugnemen voor een milieuvriendelijke recycling.

avenli

MANUEL UTILISATEUR DE LA POMPE DE FILTRATION ULTRA-PROPRE

29P414DE/29P415DE/29P416DE/29P417DE



**Attention : Lisez attentivement toutes les instructions
avant d'installer la pompe de filtration.**

TABLE DES MATIÈRES

Introduction-----	3
Consignes de sécurité -----	3-4
Liste des pièces et illustration-----	5-6
Instructions d'installation-----	6
Illustration d'installation-----	7
Mode d'emploi-----	8
Entretien général-----	8
Nettoyage et remplacement-----	8-9
Guide de dépannage-----	9
Garantie limitée-----	10

Introduction

Nous vous remercions pour votre achat de notre pompe de filtration. Nous pensons que vous la trouverez assez simple à installer et efficace dans son fonctionnement.

Ce système de pompe de filtration a été fabriqué selon les normes de qualité les plus élevées et assurera des saisons d'activité dans une eau propre et éclatante pour votre nouvelle piscine à installation rapide, à cadre en acier rond, à cadre en acier ovale et à cadre en acier rectangulaire. Voici la pompe de filtration Jilong fabriquée pour des performances de haute qualité associant une filtration supérieure et les caractéristiques suivantes :

Conçue pour les piscines hors-sol

Flux à volume élevé par le filtre
Installation et entretien faciles
Faible coût d'entretien et de fonctionnement
Offre la tranquillité et des performances de haute qualité
Construction de qualité certifiée
Produit fiable, résistant à la corrosion et renforcé
Modèle élégant et intéressant
Dimensions réduites faciles à ranger et compact pour l'hiver
Pompe de filtration certifiée UL et GS
Plus sûre pour nager et pour l'environnement
Ce manuel du système de pompe de filtration vous fournira toutes les instructions faciles que vous devez suivre afin d'installer et d'utiliser efficacement de système de pompe de filtration ultramoderne.
En plus des instructions d'installation et du mode d'emploi, nous avons également inclus plusieurs points très importants d'avertissement et de mise en garde, qui concernent une utilisation sûre et amusante de ce nouveau système de pompe de filtration. Il est très important que vous preniez le temps de les lire tous et de les partager avec tous les individus qui profiteront éventuellement de l'utilisation de votre piscine. Veuillez vous assurer de lire et de comprendre les informations contenues dans ce manuel avant la première utilisation.

Consignes de sécurité

Lorsque vous souhaitez installer et utiliser cet équipement électrique, suivez les points importants ci-dessous et prenez des précautions :
AVERTISSEMENT Vérifiez tous les colliers et tous les accessoires du système avant de faire fonctionner la pompe.

AVERTISSEMENT N'enterrez pas le cordon d'alimentation de l'adaptateur. Placez le cordon d'alimentation de l'adaptateur là où il ne sera pas endommagé par une tondeuse à gazon, un taille-haies et d'autres équipements.

AVERTISSEMENT Cet appareil n'est pas prévu pour être utilisé par des personnes (y compris des enfants) aux capacités physiques, sensorielles ou mentales réduites ou par des personnes manquant d'expérience et de connaissances, sauf si elles ont bénéficié d'une surveillance ou d'instructions concernant l'utilisation de cet appareil par une personne responsable de leur sécurité. Les enfants doivent être supervisés pour vous assurer qu'ils ne jouent pas avec ce produit.

AVERTISSEMENT N'utilisez pas cette pompe filtrante pour aspirer la piscine. Ce produit est conçu uniquement pour une piscine stockable et non pour une

piscine à installation permanente.

AVERTISSEMENT Le cordon d'alimentation de l'adaptateur et le câble d'entrée de la pompe ne peuvent pas être remplacés. Si le cordon d'alimentation ou le câble d'entrée est endommagé, l'adaptateur ou la pompe doivent être mis au rebut.

AVERTISSEMENT Ne placez pas l'adaptateur 230 V à proximité de la piscine. Le transformateur et la prise de courant doivent être placés à plus de 3,5 m de la piscine. La pompe et l'adaptateur ne doivent pas être installés dans des zones qui peuvent être inondées (et qui ne disposent pas d'une prise adéquate).

AVERTISSEMENT Assurez-vous que la fiche extérieure est protégée par un dispositif différentiel résiduel (DDR) avec un courant de fonctionnement résiduel nominal ne dépassant pas 30 mA.

AVERTISSEMENT Ne faites pas tomber la pompe filtrante ou l'adaptateur dans l'eau.

AVERTISSEMENT Avant de démarrer la pompe filtrante, vous devez fixer la base du filtre avec des vis sur une surface pleine pour la fixation.

AVERTISSEMENT Evitez toute surchauffe sur le moteur de la pompe filtrante. Assurez-vous que la pompe fonctionne avec de l'eau et n'est jamais à cours d'eau lors de l'utilisation de cet appareil. Une utilisation incorrecte causant une surchauffe fera griller le moteur et l'endommagera.

AVERTISSEMENT L'air restant fera s'emballer la pompe et endommagera la pompe filtrante. Tournez doucement la valve d'évacuation d'air (P1) pour chasser tout l'air dans le tuyau et le logement du filtre.

AVERTISSEMENT : Cet appareil peut uniquement être utilisé par des enfants de 8 ans et plus, par des personnes aux capacités physiques, sensorielles ou mentales réduites ou par des personnes manquant d'expérience et de connaissances s'ils ont bénéficié d'une surveillance ou d'instructions concernant l'utilisation en toute sécurité de l'appareil et s'ils comprennent les risques encourus. Ne laissez pas les enfants jouer avec cet appareil. Les enfants ne doivent pas entreprendre le nettoyage ou la maintenance sans surveillance.

AVERTISSEMENT : Le cordon d'alimentation ne peut pas être remplacé. Si le cordon est endommagé, l'appareil doit être mis au rebut.

AVERTISSEMENT : La pompe ne doit pas être utilisée quand des personnes sont dans l'eau.

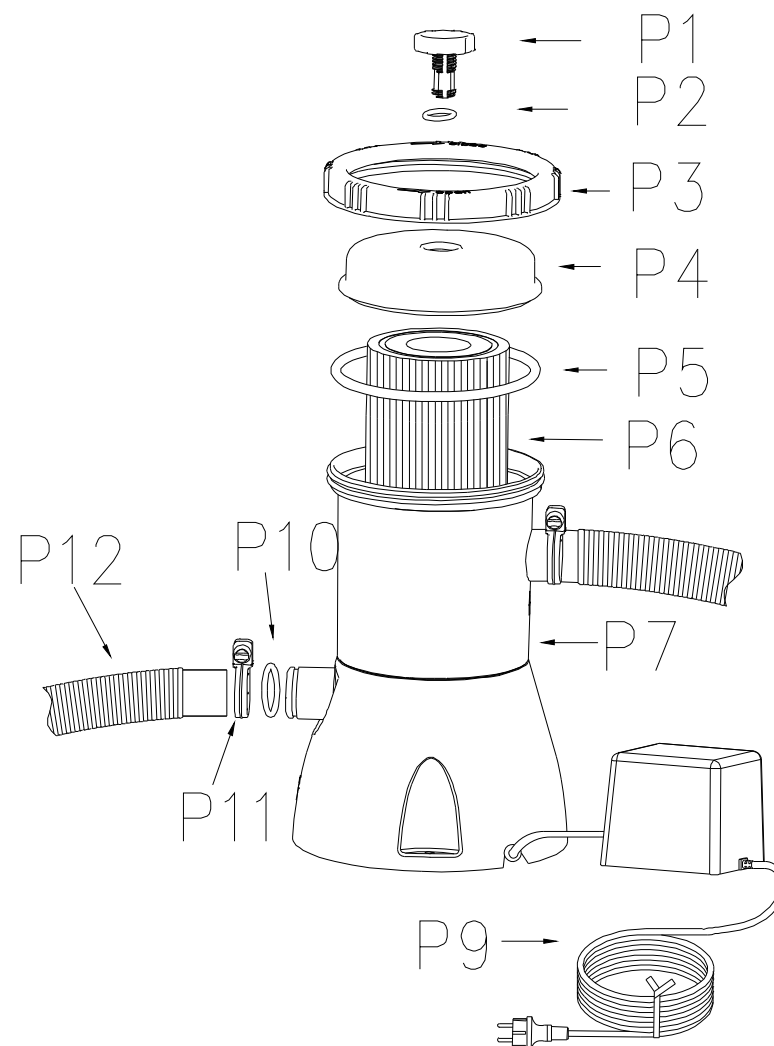
AVERTISSEMENT : La pompe doit être alimentée par l'intermédiaire d'un dispositif différentiel à courant résiduel (DDR) avec un courant de

fonctionnement résiduel nominal ne dépassant pas 30mA.

AVERTISSEMENT : La hauteur de refoulement maximale est 0,9 mètre (pour les pompes avec une puissance nominale d'entrée supérieure à 50 W).

AVERTISSEMENT : Cet appareil doit être installé à au moins 2 mètres de la piscine et la prise doit être située à 3,50 mètres de la piscine. (Uniquement pour le marché français)

AVERTISSEMENT : La pompe doit être fixée au sol ou sur un socle sûr avec deux boulons ou vis de $\Phi 5$ pour éviter une chute accidentelle (voir image suivante).



Delnummer	Beskrivelse	ANTAL
P1	Capuchon de purge d'air	1
P2	Joint du capuchon de purge d'air	1
P3	Dispositif de retenue du couvercle de la chambre du filtre	1
P4	Couvercle de la chambre du filtre	1
P5	Joint en caoutchouc de la chambre du filtre	1
P6	Cartouche filtrante	1
P7	Chambre du filtre	1
P9	Câble d'alimentation	1
P10	Joint torique	2
P11	Collier de serrage	4
P12	Tuyau de raccordement	2
P13	Élément filtrant uniquement pour 300 et 530 gal	2
P14	Connecteur uniquement pour 300 et 530 gal	2

Instructions d'installation

Veuillez consulter le schéma des pages 6 et 7 pour information.

1. Avant de commencer à installer la pompe de filtration, assurez-vous d'installer la piscine et de la remplir d'eau en premier lieu, en suivant les instructions d'installation de la piscine pas à pas. Faites fonctionner la pompe de filtration uniquement quand l'eau a atteint le niveau maximum dans la piscine. Une faible pression d'eau dans la pompe peut avoir pour conséquence un moteur bruyant.
2. Retirez la pompe de filtration et les tuyaux de l'emballage.
3. Placez la pompe de filtration en-dessous de l'eau de la piscine à au moins 0,20 m sans dépasser 1 m.
4. Veuillez noter les points suivants : La pompe de filtration doit être montée sur un sol solide et plat. Des trous de montage se situent dans la base de la pompe et vous pouvez monter la pompe avec des vis.
5. Mettez la Cartouche de filtration (P6) dans la Chambre du filtre (P7) et assurez-vous que la Cartouche filtrante (P6) est à l'intérieur de la Chambre du filtre (P7).
6. Mettez le Joint en caoutchouc de la chambre du filtre (P5) sur la Chambre du filtre (P7).
7. Mettez le Dispositif de retenue du couvercle de la chambre du filtre (P3) sur la Chambre du filtre (P7).
8. Puis serrez à la main le Dispositif de retenue du couvercle de la chambre du filtre (P3) dans le sens des aiguilles d'une montre.
9. Raccordez un tuyau de raccordement (P12) au port d'arrivée de la Pompe de filtration (dessus) et au raccordement de tuyau inférieur de la piscine. Fixez le tuyau avec les colliers de serrage (P11).
10. Tournez doucement la valve de libération d'air (P1) dans le sens inverse des aiguilles d'une montre sur 1 à 2 tours.
11. Raccordez le 2ème tuyau de raccordement (P12) au raccordement de tuyau supérieur de la piscine et au port de sortie (fond) de la Pompe de filtration (voir page 7). Fixez le tuyau avec les colliers de serrage.
12. Le niveau de pression acoustique est inférieur à 82 dB (A)

ILLUSTRATION DE L'INSTALLATION

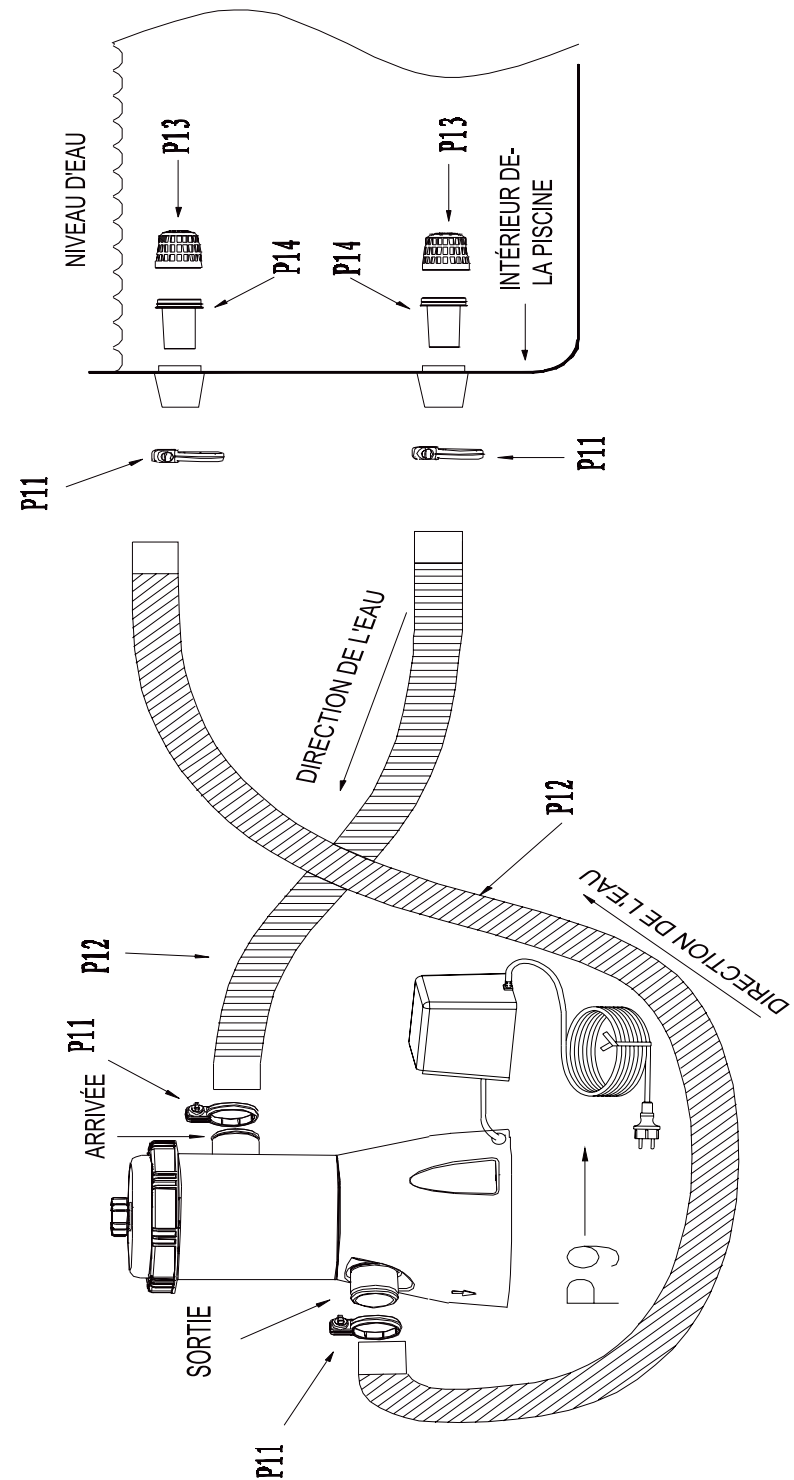


ILLUSTRATION PAS À L'ÉCHELLE

Mode d'emploi

1. Assurez-vous que la piscine est déjà remplie d'eau et placez la pompe de filtration dans une position adaptée.
2. Avec l'eau coulant dans la pompe de filtration, la pression d'eau permet à l'air introduit à l'intérieur de s'échapper du capuchon de purge d'air (P1).
3. Puis serrez doucement à la main le capuchon de purge d'air (P1) dans le sens des aiguilles d'une montre.
4. Branchez le cordon d'alimentation de l'adaptateur au secteur 230 V CA pour faire fonctionner la pompe de filtration jusqu'à ce que la clarté de l'eau de la piscine soit obtenue.

Entretien général

1. Coupez l'alimentation du moteur avant de travailler sur la pompe ou le moteur.
2. En fonction de l'utilisation des pièces, conservez des pièces de rechange, il est fortement recommandé de disposer de deux cartouches filtrantes en tant que pièces de rechange.
3. Aucune lubrification ou entretien mécanique régulier n'est nécessaire.
4. Lavez l'extérieur du filtre avec un détergent doux et de l'eau, rincez au tuyau.
5. N'utilisez pas de solvants pour nettoyer le filtre. Les solvants peuvent endommager les composants en plastique du système.
6. Maintenez le niveau du pH entre 7,0 et 7,4 dans la piscine.
7. La tension de l'adaptateur est 230 V CA.
8. Ne placez pas la pompe de filtration dans l'herbe haute, ce qui peut causer une surchauffe du moteur.
9. Une fois que l'eau de la piscine est complètement vidée, retirez tous les tuyaux de la piscine et de la pompe de filtration.
10. Chassez l'eau de tous les emplacements de la pompe de filtration.
11. Stockez toutes les pièces du filtre dans un emplacement de stockage sec et ventilé. Avant le stockage, assurez-vous que toutes les pièces sont sèches.
12. Vous pouvez stocker la pompe de filtration dans un emplacement sec et profiter du carton d'emballage d'origine pour la stocker en vue de l'utiliser la saison prochaine.

Nettoyage et remplacement

1. Assurez-vous que le cordon d'alimentation de l'adaptateur 230 V est débranché de la prise électrique.
2. Dans le sens inverse des aiguilles d'une montre pour retirer le Dispositif de retenue du couvercle de la chambre du filtre (P3). Placez-le dans un endroit sûr.
3. Nettoyez la cartouche de filtration usagée (P6) ou remplacez-la si nécessaire.
4. Vérifiez l'intérieur de la chambre du filtre (P7).
5. Si des saletés ou des dépôts se trouvent au fond du logement, utilisez par exemple un

- seau d'eau ou un tuyau d'arrosage pour chasser les saletés ou les dépôts du logement.
6. Remettez le Dispositif de retenue du couvercle de la chambre du filtre (P3) dans sa position et serrez-le dans le sens des aiguilles d'une montre sur le Logement du filtre.
7. Rebranchez le cordon électrique de l'adaptateur.

Guide de dépannage

LA POMPE NE FONCTIONNE PAS :

- A. Vérifiez la présence de fusibles et de disjoncteurs grillés ou de câbles électriques débranchés.
- B. Vérifiez le moteur. Si le moteur est trop chaud ou en surcharge, éteignez-le. Laissez le moteur refroidir.
- C. Consultez un expert.

LE MOTEUR FONCTIONNE MAIS NE POMPE PAS L'EAU OU LE DÉBIT D'EAU EST TROP LENT :

- A. Vérifiez la présence d'obstructions dans le tuyau d'arrivée ou libérez le tuyau à l'intérieur de la paroi de la piscine.
- B. Serrez les colliers de serrage, vérifiez la présence de dommages sur les tuyaux, vérifiez le niveau d'eau de la piscine.
- C. Nettoyez la cartouche filtrante plus souvent. Réutilisable et facile à nettoyer, par exemple avec un tuyau d'arrosage.
- D. Remplacez la cartouche filtrante.
- E. Consultez un expert.

LA POMPE SE DESAMORÇE

- A. Assurez-vous que le niveau d'eau dans la piscine est au moins à 5 cm au-dessus du fond de la gorge du récupérateur quand le système ne fonctionne pas.
- B. Assurez-vous qu'il n'y a pas de fuites dans le tuyau d'aspiration.
- C. Vérifiez si la cartouche filtrante est sale et doit être nettoyée. Réutilisable et facile à nettoyer, par exemple avec un tuyau d'arrosage.
- D. Consultez un expert.

LE FILTRE NE NETTOIE PAS LA PISCINE

- A. Ajustez les niveaux de chlore et de pH.
- B. Nettoyez ou remplacez la cartouche filtrante. Réutilisable et facile à nettoyer, par exemple avec un tuyau d'arrosage.
- C. Vérifiez la présence de trous dans la cartouche. Remplacez-la si elle est endommagée.
- D. Laissez la pompe fonctionner plus longtemps.
- E. Retirez les débris de la crépine sur la paroi de la piscine.
- F. Consultez un expert.

GARANTIE LIMITÉE

CLIENT ATTENTION - Veuillez lire cette déclaration soigneusement et conserver votre reçu initial du magasin avec le présent certificat de garantie à tout moment. Votre reçu est nécessaire comme preuve d'achat et pour vérifier la durée de possession de votre piscine.

Nous garantissons tous les composants contenus dans cette pompe de filtration contre les défauts de matières et de fabrication dans le cadre d'une utilisation normale, pour une période de 365 jours à compter de la date d'achat pour le propriétaire initial uniquement. Si certains des composants ont été remplacés, endommagés ou mal utilisés par le consommateur, la garantie correspondant à ces composants est invalidée. Dans cette situation, vous êtes tenu informé du coût des pièces de rechange et des frais de traitement. Veuillez enregistrer votre garantie dans les 30 jours suivant l'achat sur www.jilong.com afin de valider votre garantie.

Si un défaut de fabrication vérifiable est détecté au cours de la période correspondante, nous nous engageons à réparer ou à remplacer, à notre discrétion, les pompes sous garantie à condition qu'une preuve d'achat adéquate soit présentée.

Cette garantie limitée n'est pas valide si la piscine est utilisée à des fins commerciales, ou si le dommage est causé par un accident, une catastrophe naturelle, une utilisation abusive du consommateur, une négligence ou des mauvais traitements, des actes de vandalisme, une mauvaise utilisation de produits chimiques, une exposition à des conditions météorologiques extrêmes ou une négligence au cours de la mise en place ou du démontage de la piscine.

Nous ne pouvons pas être tenus responsables des frais d'installation (y compris l'eau), de main d'œuvre ou de transport, engagés en raison du remplacement des pièces défectueuses. Cette garantie limitée, en outre, ne couvre aucune modification non autorisée du système de piscine.

SHANGHAI JILONG SPORT AND LEISURE PRODUCTS CO., LTD

2555 XiuPu Road, Pudong Area, Shanghai, China.

www.JLeisure-Global.com

JIANGSU JILONG SPORT AND LEISURE PRODUCTS CO., LTD

NO.1 Industrial Area South Zhongchen Road Zhongyang Town, Suqian, Jiangsu, China

Mise au rebut correcte de ce produit

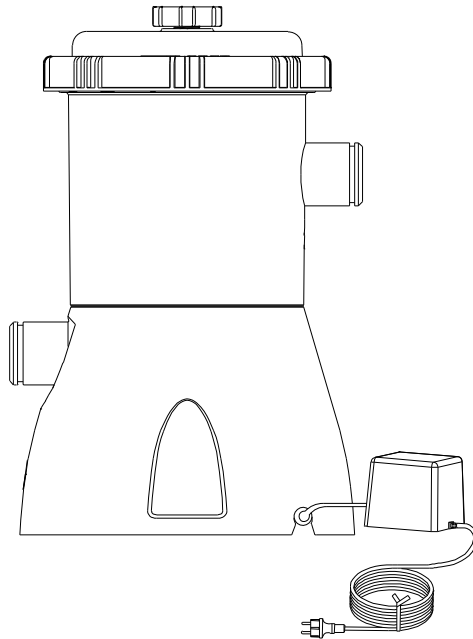


Ce marquage indique que ce produit ne doit pas être jeté avec les autres déchets ménagers dans l'ensemble de l'Union européenne. Afin d'éviter les dommages potentiels sur l'environnement et la santé humaine causés par une élimination non contrôlée des déchets, recyclez-le de manière responsable afin de promouvoir le recyclage durable des ressources matérielles. Pour retourner votre appareil usagé, veuillez utiliser les systèmes de collecte et de retour ou contactez le distributeur où le produit a été acheté. Il peut reprendre ce produit pour le recycler dans le respect de l'environnement.

avenli

MANUAL DEL USUARIO DE LA BOMBA CON FILTRO SUPERLIMPIO

29P414DE/29P415DE/29P416DE/29P417DE



**Atención: Lea todas las instrucciones atentamente
antes de instalar la bomba con filtro.**

TABLA DE CONTENIDO

Instrucciones	3
Instrucciones de seguridad	3-4
Lista de piezas e ilustración	5-6
Instrucciones de instalación	6
Ilustración de instalación	7
Instrucciones de funcionamiento	8
Mantenimiento general	8
Limpieza y sustitución	8-9
Guía de solución de problemas	9
Garantía limitada	10

Instrucciones

Gracias por adquirir nuestra bomba con filtro. Nuestra intención es que le resulte muy fácil de instalar y que su rendimiento sea eficiente.

Este sistema de bomba con filtro se ha fabricado conforme a los estándares de máxima calidad y proporcionará actividades con agua superlimpia durante temporadas en su nueva piscina Prompt Set, piscina redonda con estructura de acero, piscina ovalada con estructura de acero y piscina rectangular con estructura de acero. La bomba con filtro de Jilong está fabricada para obtener una calidad y rendimiento máximos. Combina un sistema de filtrado excelente con las siguientes características:

Diseñada para piscinas situadas por encima del nivel del suelo

Flujo de volumen alto a través del filtro
Instalación y mantenimiento sencillos
Mantenimiento y uso económicos
Rendimiento silencioso y de alta calidad
Estructura certificada de calidad
Material fiable a prueba de corrosión y reforzado
Diseño elegante y compacto
Dimensiones más pequeñas que facilitan el almacenamiento y la compactibilidad para el invierno
Bomba con filtro con la certificación UL & GS
Más segura para nadar y para el medio ambiente
Este manual de sistema de bomba con filtro le proporcionará todas las instrucciones sencillas que necesita seguir para preparar y utilizar el sistema de bomba de filtro de última generación eficientemente. Además de las instrucciones de preparación y de las indicaciones de funcionamiento, también se han incluido varias declaraciones de advertencia y precaución importantes correspondientes al uso y disfrute seguros de este nuevo sistema de bomba con filtro. Es muy importante que dedique el tiempo necesario para leerlas y las comparta con cualquier persona que vaya a disfrutar del uso de la piscina.

Asegúrese de leer y comprender la información contenida en este manual antes de utilizar producto.

Instrucciones de seguridad

Cuando desee instalar y utilizar este equipo eléctrico, tenga en cuenta los siguientes puntos importantes y tome precauciones:

ADVERTENCIA: Compruebe todas las abrazaderas y accesorios del sistema antes de poner en marcha la bomba.

ADVERTENCIA: No entierre el cable de alimentación del adaptador.

Coloque el cable de alimentación del adaptador donde no resulte dañado por cortacéspedes, cortasetos u otros equipos.

ADVERTENCIA: Este aparato no está pensado para que lo utilicen personas (incluidos los niños) con capacidad física, sensorial o mental reducida, o sin experiencia ni conocimientos, a menos que hayan recibido la supervisión o instrucciones pertinentes respecto al uso del mismo por parte de una persona responsable de su seguridad. Vigile a los niños para asegurarse de que no jueguen con este producto.

ADVERTENCIA: No utilice esta bomba con filtro para aspirar la piscina.

Además, esta unidad está diseñada solamente para piscinas temporales, no para piscinas instaladas permanentemente.

ADVERTENCIA: El cable de alimentación del adaptador y el cable de entrada de la bomba no se pueden reemplazar. Si el cable de alimentación o el cable de entrada está dañado, el adaptador o la bomba debe desecharse.

ADVERTENCIA: No coloque el adaptador de 230 V cerca de la piscina. El transformador y la toma de corriente se deben colocar a una distancia superior a 3,5 m de la piscina. La bomba y el adaptador no se deben instalar en áreas que puedan inundarse (y que no tengan una salida de desagüe adecuada).

ADVERTENCIA: Asegúrese de que el enchufe para exteriores está protegido por un dispositivo de corriente residual (RCD) con una corriente de funcionamiento residual nominal que no supere los 30 mA.

ADVERTENCIA: No deje caer la bomba con filtro o el adaptador al agua.

ADVERTENCIA: Antes de poner en marcha la bomba con filtro, debe fijar la base del filtro con tornillos en una superficie sólida.

ADVERTENCIA: Evite que el motor de la bomba con filtro se sobrecaliente.

Asegúrese de que la bomba funciona con agua y nunca la deje sin agua cuando utilice este aparato. El uso inadecuado puede provocar sobrecalentamiento que, a su vez, puede quemar el motor o dañarlo.

ADVERTENCIA: Los restos de aire harán que la bomba con filtro se acelere y se dañe. Gire suavemente la válvula de salida de aire (P1) para expulsar todo el aire de la manguera y de la carcasa del filtro.

ADVERTENCIA: Este aparato solamente puede ser utilizado por niños a partir de 8 años de edad o personas con capacidades físicas, sensoriales o mentales reducidas, o con falta de experiencia y conocimientos, siempre que estén supervisados o se les haya proporcionado instrucciones acerca del uso del aparato de una forma segura y comprendan los riesgos que implica. No permita que los niños jueguen con este aparato. Los niños no deben realizar la limpieza o el mantenimiento del usuario sin supervisión.

ADVERTENCIA: El cable de alimentación no se puede reemplazar si está dañado. En este caso, debe desechar el aparato.

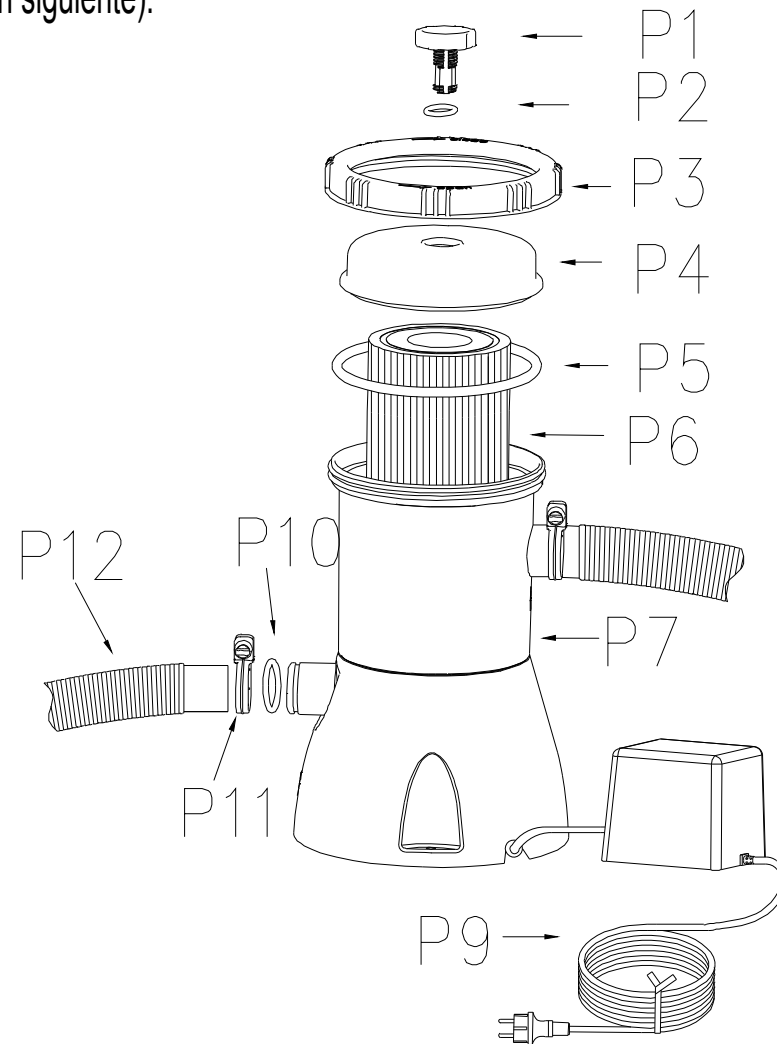
ADVERTENCIA: La bomba no se debe utilizar cuando hay gente dentro del agua.

ADVERTENCIA: La bomba debe recibir alimentación a través de un dispositivo de corriente residual (RCD, Residual Current Device) con una corriente de funcionamiento residual nominal que no supere los 30 mA.

ADVERTENCIA: La longitud máxima total del cabezal debe ser de 0,9 metros (para bombas que tengan una entrada de alimentación nominal superior a 50 W).

ADVERTENCIA: Este aparato se debe instalar a una distancia mínima de 2 m de la piscina y el enchufe debe ubicarse a una distancia de 3,5 también de la piscina. (Solamente para el mercado francés)

ADVERTENCIA: La bomba se debe fijar en el suelo o en un pedestal con dos pernos o tornillos de $\Phi 5$ para impedir que se caiga accidentalmente (consulte la imagen siguiente).



Instrucciones de instalación

PConsulte el diagrama de las páginas 6 y 7 para referencia.

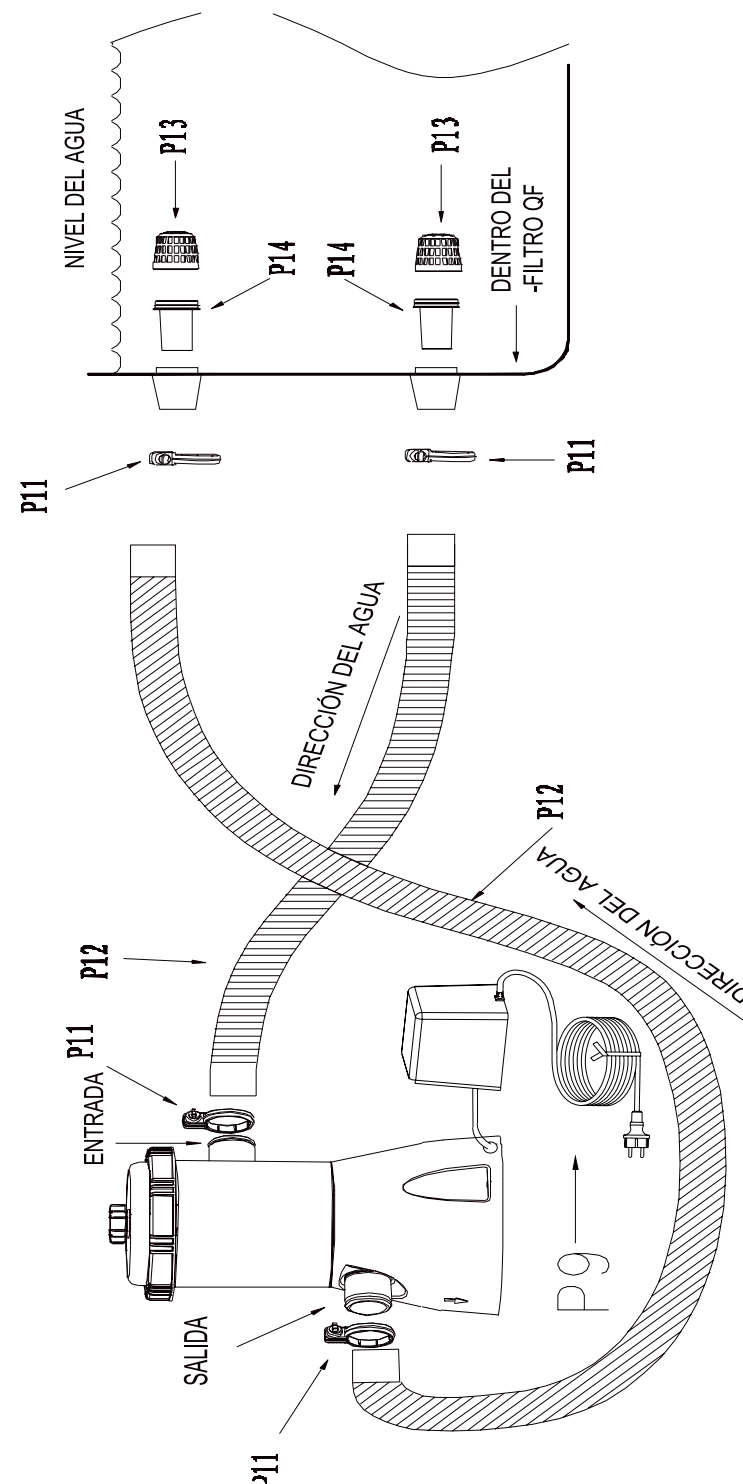
1. Antes de iniciar la instalación de la bomba con filtro, asegúrese de colocar primero la piscina y rellenar el agua, siguiendo cada paso de las instrucciones de instalación de dicha piscina. Utilice la bomba del filtro solamente cuando el agua haya alcanzado el

nivel máximo en la piscina. Si la presión del agua en la bomba es baja, el motor puede emitir sonidos ruidosos.

2. Extraiga la bomba con filtro y las mangueras del paquete.
3. Coloque la bomba con filtro a una distancia de, al menos, 0,2 m por debajo del agua de la piscina y no a más de 1 m.
4. Tenga en cuenta lo siguiente: La bomba con filtro necesita instalarse en un terreno sólido y llano. En la base de la bomba hay orificios de instalación; puede utilizarlos para instalar la bomba con tornillos.
5. Coloque el cartucho del filtro (P6) en la cámara del filtro (P7) y asegúrese de que aquel se encuentra dentro de esta.
6. Coloque la junta de goma de la cámara del filtro (P5) en dicha cámara (P7).
7. Coloque el retenedor de la tapa de la cámara del filtro (P3) en dicha cámara (P7).
8. A continuación, apriete con la mano el retenedor de la tapa de la cámara del filtro (P3) girando en el sentido de las agujas del reloj.
9. Una la manguera de conexión (P12) a la toma de entrada de la bomba con filtro (parte superior) y a la toma de la manguera inferior de la piscina. Fije la manguera con sus abrazaderas (P11).
10. Gire con cuidado la válvula de salida de aire (P1) en sentido contrario a las agujas del reloj 1-2 vueltas.
11. Una la segunda manguera de conexión a la toma de la manguera superior de la piscina y al puerto de salida (parte inferior) de la bomba con filtro (consulte la página 7). Fije la manguera con sus abrazaderas.
12. El nivel de presión de sonido es inferior a 82 dB (A).

Nº de elemento	Descripción	Cantidad
P1	Tapa para purgar el aire	1
P2	Sello de la tapa para purgar el aire	1
P3	Retenedor de la tapa de la cámara del filtro	1
P4	Tapa de la cámara del filtro	1
P5	Junta de goma de la cámara del filtro	1
P6	Cartucho del filtro	1
P7	Cámara del filtro	1
P9	Cable de alimentación	1
P10	Junta tórica	2
P11	Abrazadera de la manguera	4
P12	Manguera de conexión	2
P13	Red del filtro solamente para 300 y 530 galones	2
P14	Conector solamente para 300 y 530 galones	2

ILUSTRACIÓN DE INSTALACIÓN



LA ILUSTRACIÓN NO ESTÁ A ESCALA

Instrucciones de funcionamiento

1. Asegúrese de que la piscina ya se ha llenado con agua y coloque la bomba con filtro en una posición adecuada.
2. Cuando el agua fluya por la bomba con filtro, la presión de dicho agua permitirá que el aire introducido dentro escape por la tapa para purgar el aire (P1).
3. A continuación, apriete con la mano la tapa para purgar el aire (P1) girando en el sentido de las agujas del reloj.
4. Conecte el cable de alimentación del adaptador a una toma de 230 VCA para hacer funcionar la bomba con filtro hasta que el agua esté totalmente clara.

Mantenimiento general

1. Desconecte la alimentación del motor antes de poner en marcha la bomba o dicho motor.
2. Dependiendo del uso de las piezas, mantenga algunos repuestos disponibles. Es muy recomendable tener dos cartuchos de filtro de repuesto.
3. No es necesario llevar a cabo tareas de lubricación o de mantenimiento mecánico periódico.
4. Lave el exterior del filtro con un detergente medio y agua, enjuagando después con una manguera.
5. No utilice disolventes para limpiar el filtro, ya que pueden dañar los componentes de plástico del sistema.
6. Mantenga el nivel de pH entre 7,0 y 7,4 en la piscina.
7. El voltaje el adaptador es de 230 VCA.
8. No coloque la bomba con filtro sobre hierba alta, ya que el motor podría sobrecalentarse.
9. Después de que el agua de la piscina se haya vaciado completamente, quite todas las mangueras de la piscina y la bomba con filtro.
10. Vacíe el agua de todas las cavidades de la bomba con filtro.
11. Guarde todas las piezas del filtro en un lugar de almacenamiento seco y bien ventilado. Antes del almacenamiento, asegúrese de que todas las piezas están secas.
12. Puede almacenar la bomba con filtro en un lugar seco y aprovechar la caja del embalaje de cartón original para guardar el producto para el año próximo.

Limpieza y sustitución

1. Asegúrese de desconectar el adaptador de 230 V y el cable de alimentación de la toma de corriente eléctrica.
2. Quite el retenedor de la tapa de la cámara del filtro girándolo en sentido contrario las agujas del reloj (P3). Colóquelo en un lugar seguro.
3. Limpie el cartucho del filtro (P6) o cámbielo si es necesario.
4. Compruebe el interior de la cámara del filtro (P7).

5. Si se encuentra suciedad o sedimentos en la parte inferior de la carcasa, utilice un cubo de agua o una manguera de jardín para expulsar dicha suciedad o sedimento.
6. Devuelva el retenedor de la tapa de la cámara del filtro (P3) a su posición girándolo en el sentido de las agujas del reloj para apretarlo en la carcasa del filtro.
7. Vuelva conectar el cable de alimentación del adaptador.

Guía de solución de problemas

LA BOMBA NO FUNCIONA:

- A. Compruebe si hay fusibles fundidos, interruptores de circuito activados o cables eléctricos desconectados.
- B. Compruebe el motor. Si el motor está demasiado caliente o sobrecalentado, apáguelo. Deje que el motor se enfríe.
- C. Consulte a un experto.

EL MOTOR FUNCIONA PERO NO BOMBEA AGUA O EL FLUJO DE AGUA ES DEMASIADO LENTO:

- A. Compruebe si hay obstrucciones en la manguera de entrada o descargue la manguera de la pared interna de la piscina.
- B. Apriete las abrazaderas de las mangueras, compruebe si estas presentan algún daño y compruebe el nivel de agua de la piscina.
- C. Limpie el cartucho del filtro más a menudo. Se puede reutilizar y limpiar fácilmente con una manguera de jardín.
- D. Cambie el cartucho del filtro.
- E. Consulte a un experto.

LA BOMBA PIERDE CAPACIDAD DE CEBADO

- A. Asegúrese de que el nivel de agua de la piscina se encuentra, al menos, 5 cm por encima de la parte inferior de la boca del recogehojas.
- B. Asegúrese de que no hay fugas en los conductos de succión.
- C. Compruebe si el cartucho del filtro está sucio y necesita limpiarse. Se puede reutilizar y limpiar fácilmente con una manguera de jardín.
- D. Consulte a un experto.

EL FILTRO NO LIMPIA LA PISCINA

- A. Ajuste el cloro y el nivel de pH.
- B. Limpie o cambie el cartucho del filtro. Se puede reutilizar y limpiar fácilmente con una manguera de jardín.
- C. Compruebe las mangueras del cartucho. Cámbielas si están dañadas.
- D. Deje que la goma funcione durante más tiempo.
- E. Limpie los restos de la malla del filtro de la pared de la piscina.
- F. Consulte a un experto.

GARANTIA LIMITADA

ATENCIÓN: Lea detenidamente esta declaración y conserve en todo momento el comprobante de compra original de la tienda junto con este certificado de garantía. Este comprobante es la prueba de que ha comprado la piscina e indica el momento en el que la adquirió.

Nuestra garantía cubre los posibles defectos de los materiales y la fabricación de todos los componentes contenidos en esta bomba con filtro, siempre y cuando se utilicen en circunstancias normales y se destinen a los fines para los que fueron concebidas, durante un período de 365 días, contados a partir de la fecha en la que el primer propietario adquirió dicho producto. Si alguno de los componentes ha sido reemplazado, dañado o mal utilizado por parte del consumidor, la garantía correspondiente de dichos componentes se invalidará. En este caso, se le comunicará el coste de las piezas de repuesto y las instrucciones para llevar a cabo el proceso de sustitución. Para validar su garantía, regístrela en www.jilong.com antes de que transcurran 30 días desde la fecha de compra.

Si se detecta un defecto de fabricación durante el período indicado, nos comprometemos a reparar o sustituir, lo que estimemos más oportuno, las bombas cubiertas por la garantía, siempre y cuando se presente el correspondiente comprobante de compra.

Esta garantía limitada no será válida cuando la piscina se utilice con fines comerciales ni cuando el daño se haya producido debido a un accidente, acto de la naturaleza, abuso, abandono o uso incorrecto por parte del comprador, vandalismo, uso inadecuado de productos químicos, exposición a condiciones climáticas extremas o negligencias durante el montaje o desmontaje de la piscina.

No nos hacemos responsables de los costes de instalación (incluida el agua), mano de obra ni transporte derivados de la sustitución de las piezas defectuosas. Además, esta garantía limitada no cubre las modificaciones no autorizadas de la piscina.

SHANGHAI JILONG SPORT AND LEISURE PRODUCTS CO., LTD
2555 XiuPu Road, Pudong Area, Shanghai, China.

www.JLeisure-Global.com

JIANGSU JILONG SPORT AND LEISURE PRODUCTS CO., LTD
NO.1 Industrial Area South Zhongchen Road Zhongyang Town, Suqian, Jiangsu, China

Cómo deshacerse correctamente de este producto

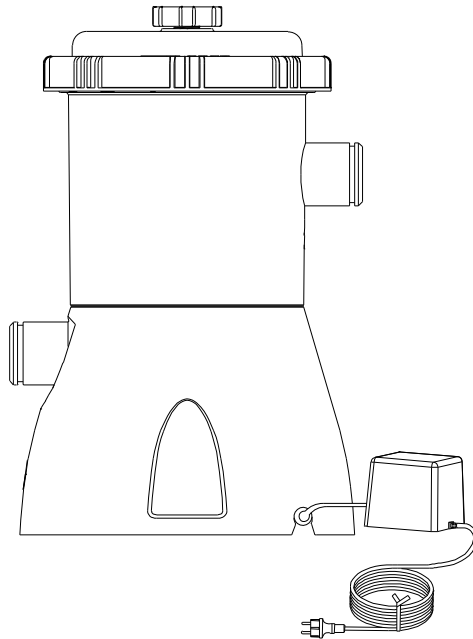


Esta marca indica que este producto no se debe desechar junto con la basura doméstica convencional en todo el territorio de la Unión Europea. Para evitar posibles daños al medio ambiente o a la salud humana provocados por el desecho de basura no controlado, recicle el producto de forma responsable para fomentar la reutilización sostenible de los recursos materiales. Para devolver el dispositivo usado, utilice los sistemas de retorno y reciclaje o póngase en contacto con el proveedor al que adquirió el producto. El personal correspondiente puede hacerse cargo del producto para llevar a cabo un reciclaje seguro y ecológico.

avenli

MANUALE UTENTE POMPA DI FILTRAZIONE PER PULIZIA COMPLETA

29P414DE/29P415DE/29P416DE/29P417DE



Attenzione: Leggere con attenzione le istruzioni prima dell'installazione della pompa di filtrazione.

INDICE

Istruzioni	2-3
Istruzioni per la sicurezza	3-4
Elenco delle parti e illustrazione	5-6
Istruzioni per l'installazione	6
Illustrazione per l'installazione.....	7
Istruzioni per l'uso	8
Manutenzione generale	8
Pulizia e sostituzione	8
Guida alla risoluzione dei problemi.....	9
Garanzia limitata	10

Instruktion

La ringraziamo per l'acquisto della nostra pompa di filtrazione. Riteniamo sia molto semplice da installare e utilizzare in modo efficiente.

Questa pompa di filtrazione è stata prodotta osservando i più alti standard di qualità e fornirà stagioni di attività acquatiche pulitissime nella nuova piscina a installazione immediata, nelle piscine con struttura rotonda, ovale e rettangolare in acciaio. La pompa di filtrazione Jilong è stata prodotta per garantire elevata qualità e prestazioni. Combina una filtrazione ottimale con le seguenti caratteristiche:

- Progettata per piscine fuori terra
- Flusso ad alto volume tramite il filtro
- Semplici installazione e manutenzione

Costi bassi di manutenzione e funzionamento

Offre prestazioni silenziose e di alta qualità

Struttura con certificazione di qualità

Materiale affidabile, resistente alla corrosione e rinforzato

Design elegante e piacevole

Le dimensioni ridotte consentono di conservarla e compattarla facilmente in inverno

Pompa di filtrazione con certificazione UL e GS

Più sicura per nuotare e per l'ambiente

Il presente manuale della pompa di filtrazione fornisce tutte le istruzioni facili da osservare per montare e utilizzare in modo efficace questa pompa di filtrazione all'avanguardia.

Oltre alle istruzioni di montaggio e le linee guida operative, abbiamo incluso anche alcune importantissime avvertenze e precauzioni per l'uso sicuro di questa nuova pompa di filtrazione. È estremamente importante leggerle tutte e condividerle con tutti coloro che usufruiscono della piscina.

Assicurarsi di leggere e comprendere le informazioni contenute nel manuale prima di utilizzarla per la prima volta.

Istruzioni sulla sicurezza

Per installare e utilizzare questa apparecchiatura elettrica, attenersi ai seguenti punti importanti e adottare precauzioni:

AVVERTENZA Controllare tutti i morsetti e gli accessori del sistema prima di avviare la pompa.

AVVERTENZA Non sotterrare l'adattatore del cavo di alimentazione. Collocare il cavo di alimentazione in un luogo in cui non possa essere danneggiato da tosaerba, decespugliatori ed altre attrezzature simili.

AVVERTENZA Questa apparecchiatura non è intesa per essere utilizzata da persone (inclusi bambini) con capacità fisiche, sensoriali o mentali ridotte o senza esperienza, a meno che non ci sia una persona addetta al controllo o istruzioni relative all'uso dell'apparecchiatura da parte di personale responsabile della sicurezza. I bambini devono essere sottoposti a controllo per evitare che giochino con l'apparecchiatura.

AVVERTENZA Non usare la pompa di filtrazione per svuotare la piscina. Inoltre, questa unità è stata progettata solamente per piscine smontabili fuori terra, e non per piscine interrate.

AVVERTENZA Non è possibile sostituire l'adattatore del cavo di alimentazione e il cavo di ingresso della pompa. In caso di danni al cavo di alimentazione o al cavo di ingresso, l'adattatore o la pompa devono essere scartati.

AVVERTENZA Non posizionare l'adattatore a 230 V accanto alla piscina. Il trasformatore e la presa devono essere a oltre 3,5 m di distanza dalla piscina. La pompa e l'adattatore non devono essere installati in aree che possono essere interessate da allagamenti (e che non dispongono di uno sbocco adeguato).

AVVERTENZA Assicurarsi che un dispositivo a corrente residua (RCD) protegga la presa da esterni con una corrente residua di funzionamento non superiore a 30 mA.

AVVERTENZA Non far cadere la pompa di filtrazione o l'adattatore nell'acqua. **AVVERTENZA** Prima di avviare la pompa di filtrazione, fissare la base del filtro con delle viti sulla superficie solida.

AVVERTENZA Evitare che il motore della pompa di filtrazione si surriscaldi. Verificare che la pompa funzioni sempre in presenza di acqua e che durante l'uso dell'apparecchiatura l'acqua non si esaurisca mai. L'uso improprio potrebbe causarne il surriscaldamento e bruciare il motore, danneggiandolo.

AVVERTENZA L'aria restante metterà in funzione la pompa di filtrazione, danneggiandola. Ruotare con cura la valvola di spurgo dell'aria (P1) per eliminare tutta l'aria nel flessibile e nell'alloggiamento del filtro.

AVVERTENZA: Questo apparecchio può essere utilizzato esclusivamente da bambini dagli 8 anni in su o da persone con ridotte capacità fisiche, sensoriali o mentali, o mancanza di esperienza e conoscenza, sotto la supervisione o con istruzioni per l'uso sicuro dell'apparecchio e in grado di comprendere i rischi inclusi. Evitare che i bambini giochino con l'apparecchiatura. I bambini non devono effettuare la pulizia o la manutenzione senza supervisione.

AVVERTENZA: Non è possibile sostituire il cavo di alimentazione. Se il cavo è danneggiato, l'apparecchiatura deve essere scartata.

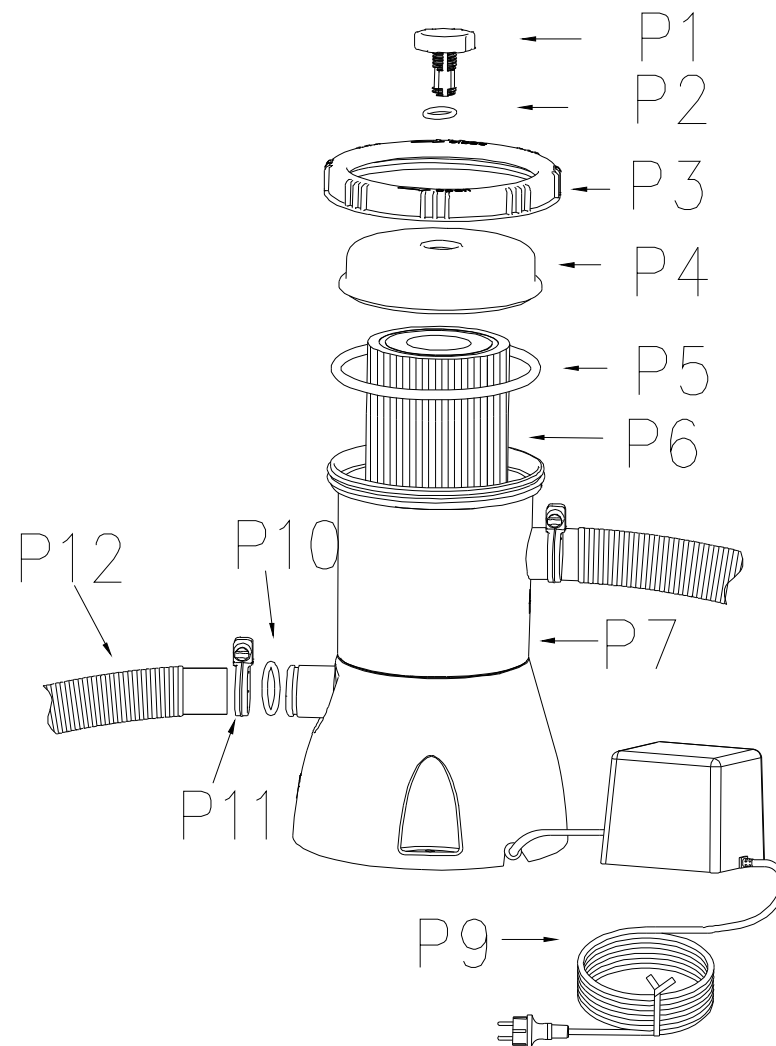
AVVERTENZA: Non utilizzare la pompa quando ci sono persone nell'acqua.

AVVERTENZA: La pompa deve essere alimentata tramite un dispositivo a corrente residua (RCD) con una corrente residua di funzionamento non superiore a 30 mA.

AVVERTENZA: Prevalenza massima totale di 0,9 in metri (per pompe con ingresso di alimentazione nominale superiore a 50 W).

AVVERTENZA: Questa apparecchiatura deve essere installata ad almeno 2 m dalla piscina con la spina situata a 3,5 m dalla piscina (solo per il mercato francese).

AVVERTENZA: La pompa deve essere fissata al terreno o su un piedistallo con due bulloni o viti $\Phi 5$ per evitare cadute accidentali (vedere l'immagine successiva).



Istruzioni per l'installazione

Fare riferimento al diagramma a pagina 6 e 7.

1. Prima di iniziare ad installare la pompa di filtrazione, assicurarsi di posizionare la piscina e riempirla di acqua, attenendosi alle procedure delle istruzioni di installazione della piscina. Azionare la pompa di filtrazione solo quando l'acqua ha raggiunto il livello massimo nella piscina. Una bassa pressione dell'acqua nella pompa potrebbe causare eccessiva rumorosità del motore.

2. Rimuovere la pompa di filtrazione e i tubi flessibili dalla confezione.

3. Posizionare la pompa di filtrazione almeno 0,2 m sotto l'acqua della piscina e non

oltre 1,0 m.

4. Nota: La pompa di filtrazione deve essere montata su un terreno solido e in piano. Nella base della pompa vi sono dei fori di montaggio ed è possibile montare la pompa con delle viti.

5. Posizionare la cartuccia di filtraggio (P6) nella camera filtro (P7) e assicurarsi che la cartuccia di filtraggio (P6) si trovi all'interno della camera filtro (P7).

6. Posizionare la guarnizione in gomma (P5) sulla camera filtro (P7).

7. Posizionare il fermo del coperchio (P3) sulla camera filtro (P7).

8. Quindi serrare con le dita il fermo del coperchio camera filtro (P3) con un movimento in senso orario.

9. Collegare un flessibile (P12) alla bocchetta di ingresso della pompa di filtrazione (superiore) e al raccordo inferiore per flessibile della piscina. Fissare il flessibile con le fascette (P11).

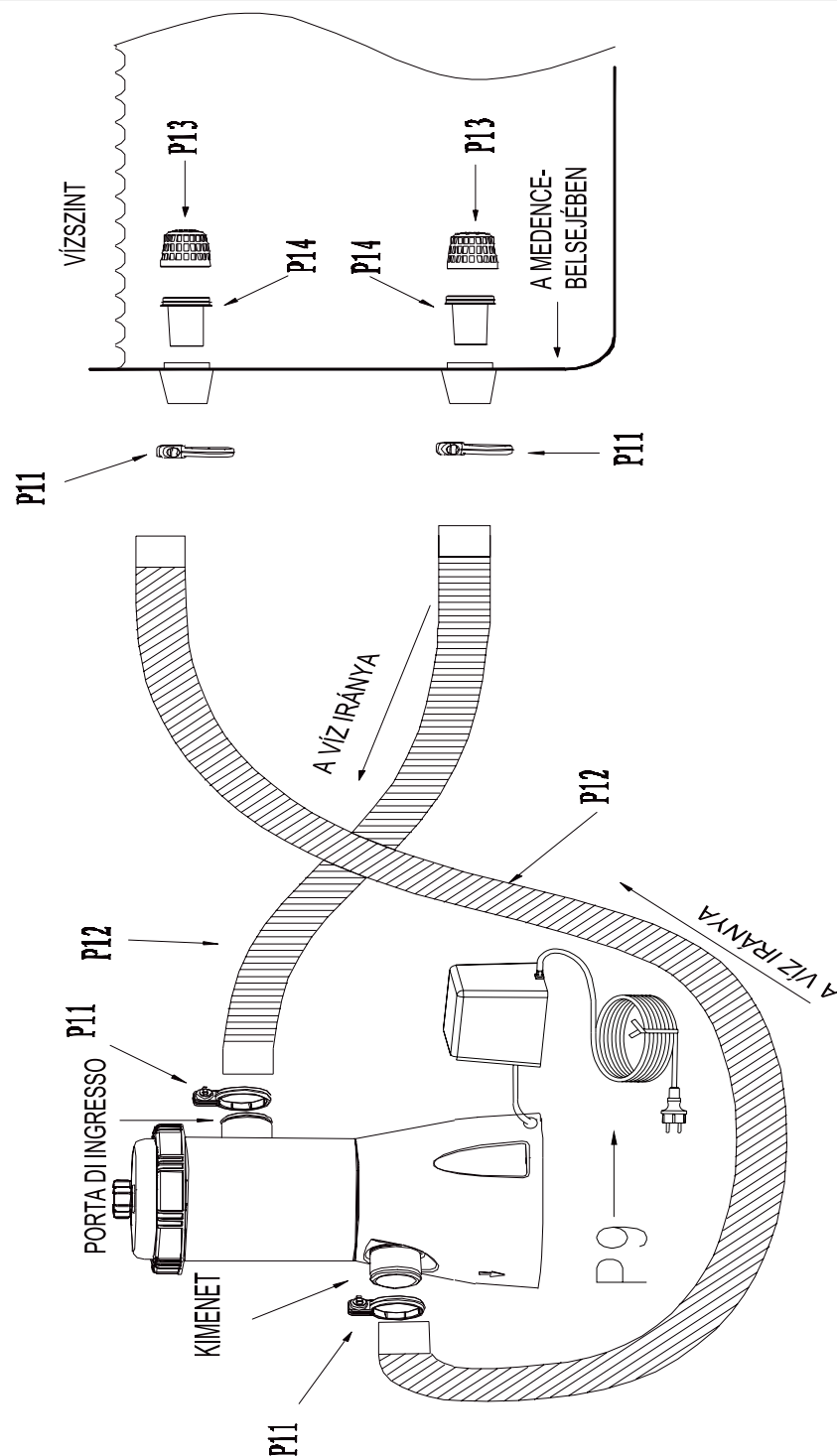
10. Ruotare con cura la valvola di spurgo dell'aria (P1) in senso antiorario con 1-2 giri.

11. Collegare il 2° flessibile (P12) al raccordo superiore per flessibile della piscina e alla bocchetta di uscita (inferiore) della pompa di filtrazione (vedere pagina 7). Fissare il flessibile con le fascette.

12. Il livello di pressione acustica è inferiore a 82 dB (A)

Codice articolo	Descrizione	QUANTITÀ
P1	Coperchio spurgo aria	1
P2	Tenuta coperchio spurgo aria	1
P3	Fermo del coperchio camera filtro	1
P4	Coperchio camera filtro	1
P5	Guarnizione in gomma camera filtro	1
P6	Cartuccia di filtraggio	1
P7	Camera filtro	1
P9	Cavo di alimentazione	1
P10	O-ring	2
P11	Morsetto del tubo flessibile	4
P12	Tubo flessibile connettore	2
P13	Rete filtro solo per 300 e 530 gal	2
P14	Connettore solo per 300 e 530 gal	2

ÜZEMBE HELYZÉS ILLUSZTRÁCIÓJA



AZ ILLUSZTRÁCIÓ NEM MÉRETEZHETŐ ÁT

Istruzioni per l'uso

1. Assicurarsi che la piscina sia già riempita con acqua e posizionare la pompa di filtrazione in un luogo adeguato.
2. Con il flusso di acqua nella pompa di filtrazione, la pressione dell'acqua consente all'aria che penetra all'interno di fuoriuscire dal coperchio spurgo aria (P1).
3. Quindi serrare con cura con le dita il coperchio spurgo aria (P1) in senso orario.
4. Collegare il cavo di alimentazione dell'adattatore all'alimentazione a 230 V CA per azionare la pompa di filtrazione fino ad ottenere la chiarezza dell'acqua nella piscina.

Manutenzione generale

1. Scollegare l'alimentazione del motore prima di intervenire sulla pompa o sul motore.
2. A seconda dell'uso dei componenti, tenere a disposizione qualche ricambio. Si consiglia di disporre di due cartucce di filtraggio di ricambio.
3. Non sono necessarie lubrificazione o manutenzione meccanica periodica.
4. Lavare la parte esterna del filtro con detergente neutro e acqua, sciacquandola con il tubo di un irrigatore.
5. Non usare solventi per pulire il filtro; i solventi potrebbero danneggiare i componenti di plastica dell'impianto.
6. Mantenere il livello di pH della piscina tra 7,0 e 7,4.
7. La tensione dell'adattatore è 230 V CA.
8. Non posizionare la pompa di filtrazione nell'erba alta, in quanto potrebbe causare il surriscaldamento del motore.
9. Una volta svuotata completamente la piscina, rimuovere tutti i flessibili dalla piscina e dalla pompa di filtrazione.
10. Scaricare l'acqua da tutti gli alloggiamenti della pompa di filtrazione.
11. Conservare i componenti del filtro in un luogo asciutto e ventilato. Prima della conservazione, assicurarsi che tutti i componenti siano asciutti.
12. È possibile conservare la pompa di filtrazione in un luogo asciutto e utilizzare la confezione originale per riporla e usarla nella stagione successiva.

Pulizia e sostituzione

1. Assicurarsi di scollegare il cavo di alimentazione dell'adattatore a 230 V dalla presa elettrica.
2. Rimuovere il fermo del coperchio camera filtro (P3) in senso antiorario. Posizionarlo in un luogo sicuro.
3. Pulire la cartuccia di filtraggio (P6) o sostituirla, se necessario.
4. Controllare la parte interna della camera filtro (P7).
5. In caso di detriti o sporcizia sul fondo dell'alloggiamento, utilizzare un secchio di acqua o un irrigatore da giardino per eliminare detriti o sporcizia dall'alloggiamento.
6. Riportare in posizione il fermo del coperchio camera filtro (P3) e fissarlo in senso orario sulla sull'alloggiamento filtro.
7. Ricollegare il cavo di alimentazione dell'adattatore.

Guida alla risoluzione dei problemi

LA POMPA NON FUNZIONA:

- A. Verificare la presenza di fusibili rotti, interruzioni di circuito o cablaggio elettrico disconnesso.
- B. Controllare il motore. Se è eccessivamente caldo o sovraccarico, spegnerlo. Lasciare raffreddare il motore.
- C. Consultare un esperto.

IL MOTORE SI ACCENDE, MA NON FUORIESCE ACQUA DALLA POMPA OPPURE IL FLUSSO DELL'ACQUA È TROPPO LENTO:

- A. Controllare eventuali ostruzioni nel tubo flessibile di aspirazione o scarico nelle pareti interne della piscina.
- B. Serrare le fascette, verificare eventuali danni nei flessibili e controllare il livello dell'acqua nella piscina.
- C. Pulire la cartuccia di filtraggio con maggiore frequenza. È riutilizzabile e facile da pulire con un irrigatore da giardino.
- D. Sostituire la cartuccia di filtraggio.
- E. Consultare un esperto.

LA POMPA NON SI INNESCA

- A. Assicurarsi che il livello dell'acqua della piscina sia almeno 5 cm sopra il fondo della gola del regolatore flusso con il sistema non in funzione.
- B. Assicurarsi che non vi siano perdite nei tubi di aspirazione.
- C. Verificare se la cartuccia di filtraggio è sporca e necessita pulizia. È riutilizzabile e facile da pulire con un irrigatore da giardino.
- D. Consultare un esperto.

IL FILTRO NON PULISCE LA PISCINA

- A. Regolare il livello di cloro e pH.
- B. Pulire o sostituire la cartuccia di filtraggio. È riutilizzabile e facile da pulire con un irrigatore da giardino.
- C. Controllare eventuali fori nella cartuccia. Sostituire, se danneggiata.
- D. Lasciare la pompa in funzione più a lungo.
- E. Eliminare i residui dal filtro sulla parete della piscina
- F. Consultare un esperto.

GARANZIA LIMITATA

ALL'ATTENZIONE DEL CLIENTE - Leggere attentamente questa dichiarazione e conservare sempre l'originale della ricevuta di pagamento insieme a questa garanzia. La ricevuta è necessaria come prova dell'acquisto e per verificare la durata di proprietà della piscina.

Garantiamo che tutti i componenti contenuti nella pompa di filtrazione sono liberi da difetti dei materiali e di lavorazione in normali condizioni di uso e servizio, per un periodo di 365 giorni dalla data di acquisto, la garanzia è valida solo per il proprietario originale. Se qualsiasi componente è stato sostituito, danneggiato o abusato dall'utente, la corrispondente garanzia su quei componenti è annullata. In questo caso saranno addebitati i costi delle parti di ricambio e della lavorazione. Registrare la garanzia entro 30 giorni dall'acquisto, sul sito www.jilong.com per convalidarla.

Se durante il periodo di garanzia si trova un guasto di produzione verificabile, le pompe saranno riparate o sostituite, a nostro insindacabile giudizio, salvo sia esibita una valida prova d'acquisto.

Questa garanzia limitata non è valida se la piscina è usata per scopi commerciali, oppure se i danni sono provocati da incidente, atti divini, abuso, negligenza, cattivo uso, vandalismo, uso improprio dei prodotti chimici, esposizione a condizioni meteorologiche estreme o negligenza durante l'installazione o smontaggio della piscina.

La società non è responsabile dei costi d'installazione (compresa l'acqua), lavorazione o trasporto relativi alla sostituzione delle parti difettose. Questa garanzia limitata, inoltre, non copre alterazioni non autorizzate alla piscina.

SHANGHAI JILONG SPORT AND LEISURE PRODUCTS CO., LTD

2555 XiuPu Road, Pudong Area, Shanghai, China.

www.JLeisure-Global.com

JIANGSU JILONG SPORT AND LEISURE PRODUCTS CO., LTD

NO.1 Industrial Area South Zhongchen Road Zhongyang Town, Suqian, Jiangsu, China

Smaltimento corretto del prodotto

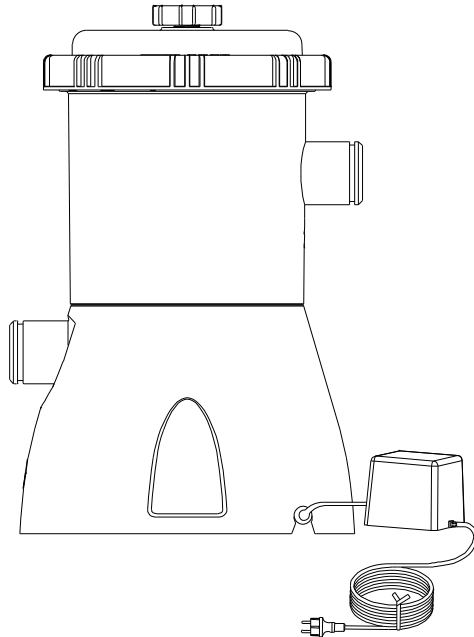


Questo contrassegno indica che il prodotto non deve essere smaltito con altri rifiuti domestici in tutta l'UE. Per evitare eventuali danni all'ambiente o alla salute causati da uno smaltimento incontrollato dei rifiuti, riciclarlo in maniera responsabile per favorire il riutilizzo sostenibile delle risorse materiali. Per restituire il dispositivo usato, utilizzare i sistemi di reso e raccolta oppure rivolgersi al rivenditore presso il quale si è acquistato il prodotto. E in grado di riciclare questo prodotto in modo sicuro per l'ambiente.

avenli

BRUKSANVING FÖR SUPERRENGÖRANDE FILTERPUMP

29P414DE/29P415DE/29P416DE/29P417DE



**Viktigt: Läs noga alla instruktioner innan
filterpumpen installeras.**

INNEHÅLLSFÖRTECKNING

Instruktion	3
Säkerhetsinstruktioner	3-4
Reservdelslista och illustration	5-6
Installationsinstruktioner.....	6
Installationsillustration.....	7
Driftsinstruktioner	8
Allmänt underhåll.....	8
Rengöring och bytre	8
Felsökningsguide.....	9-10
Begränsad garanti.....	10

Instruktion

Tack för att du köpt vår filterpump. Vi tror att du kommer att upptäcka att den är ganska enkel att installera och presterar effektivt.

Detta filterpumpsystem har tillverkats enligt den högsta kvalitetsstandard och kommer att tillhandahålla säsonger med gnistrande klart vatten i din nya Prompt Set Pool, runda stålramspool, ovala stålramspool och rektangulära rampool. Här är Jilong filterpump tillverkad med hög kvalitativ prestanda kombinerar överlägsen filtration och följande funktioner:

Designad för swimmingpool ovan mark

Högt volymflöde genom filter

Enkel installation och underhåll

Låg kostnad för underhåll och drift

Erbjuder tyst och högkvalitativ prestanda

Kvalitativt certifierad konstruktion

Pålitlig, korrosionssäkert och förstärkt material

Elegant och förtjusande design

Mindre storlek vilket gör den lätt och kompakt att förvara inför vintern

UL- och GS-certifierad filterpump

Säker för bad och för miljön

Detta filterpumpsystems manual förser dig med alla enkla instruktioner du behöver för att kunna installera och hantera detta toppmoderna filterpumpsystem effektivt.

Förutom installationsinstruktioner och riktlinjer för drift har vi också inkluderat flera viktiga uttalande om Varningar och Försiktighet som härrör sig till säker användning och njutning av detta nya filterpumpsystem. Det är mycket viktigt att du tar dig tid att läsa igenom dem alla och dela dem med alla personer som kommer att använda poolen.

Se till att du läst igenom och förstått informationen i denna manual innan första användning.

Säkerhetsinstruktioner

När du vill installera och använda den elektriska utrustningen måste du följa nedanstående viktiga steg och vidta försiktighetsåtgärder:

WARNING Kontrollera alla klämmor och systemtillbehör innan pumpen körs.

WARNING Gräv inte ner den medföljande sladden. Placera adaptersladden där den inte kan skadas av gräsklippare, häcktrimmer eller annan utrustning.

WARNING Denna apparat är inte avsedd att användas av personer (inklusive barn) med reducerad fysisk, sensorisk eller mental förmåga, eller personer utan erfarenhet och kunskap, såvida inte de är under uppsikt eller har fått instruktioner för att använda apparaten av en person som är ansvarig för deras säkerhet. Barn bör övervakas så att de inte leker med apparaten

WARNING Använd inte filterpumpen för att dammsuga poolen. Enheten är enbart avsedd för användning i en lagringsbar pool, inte för permanent installerade pooler.

WARNING Adapterns nätsladd och pumpens ingångsledning får inte bytas ut. Om nätsladden eller ingångsledningen skadas, ska adaptern eller pumpen kasseras.

WARNING Placera inte 230 V-adaptorn intill poolen. Transformatorn och uttaget ska placeras minst 3,5 m från poolen. Pumpen och adaptorn får inte installeras på platser som riskerar att översvämmas (och som saknar adekvat avrinning).

WARNING Eluttaget utomhus måste vara skyddat med en jordfelsbrytare, med en restström som inte överstiger 30 mA.

WARNING Tappa inte pumpen i vatten.

WARNING Innan filterpumpen startas måste filterbasen fästas med skruvar på ett fast underlag.

WARNING Undvik överhettning av filterpumpmotorn. Pumpen måste köras i vatten och får aldrig lämnas ovanför vatten när utrustningen används. Felaktig användning kan orsaka överhettning som får motorn att bli utbränd och skadas.

WARNING Restluft kommer att få pumpen att rusa, och skadar filterpumpen.

Vrid försiktigt på luftningsventilen (P1) för att tömma ut kvarvarande luft i filterpumpen och filterhuset.

WARNING: Denna produkt får användas av barn som är minst 8 år och personer med nedsatt fysisk, sensorisk eller mental förmåga eller bristande kunskap under handledning eller får instruktioner i hur den ska användas säkert, och förstår riskerna. Produkten är inte en leksak för barn. Rengöring och underhåll ska inte utföras av barn utan handledning.

WARNING: De medföljande sladden får inte bytas ut om den skadas. Hela produkten måste kasseras.

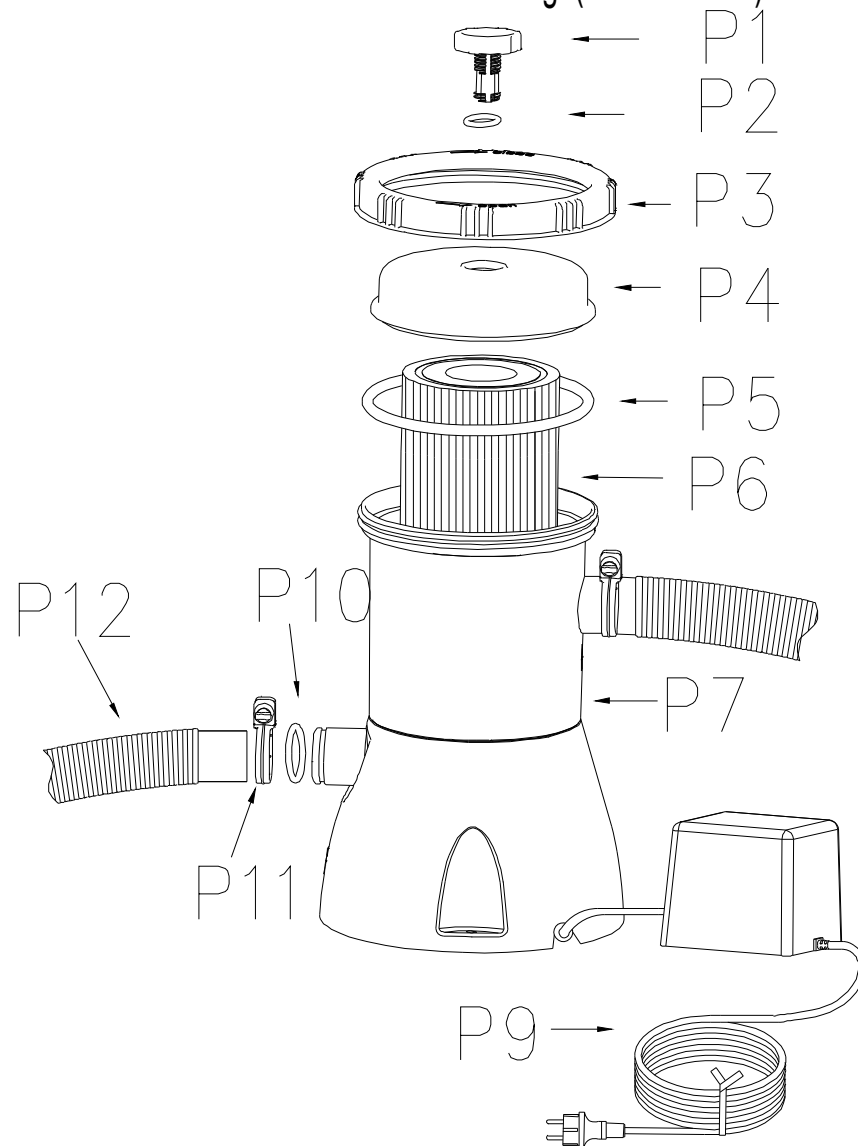
WARNING: Pumpen får inte användas när det finns personer i vattnet.

WARNING: Pumpen måste köras genom en jordfelsbrytare med en restström som inte överstiger 30 mA.

WARNING: Det totala maximala motståndet 0,9 i meter (för pumpar med en märkeffekt som överstiger 50W)

WARNING: Den ska installeras minst 2 m från poolen, och kontakten ska vara minst 3,5 m från poolen. (Endast den franska marknaden)

WARNING: Pumpen måste fixeras på marken eller på en speciell fot med två $\Phi 5$ -bultar eller skruvar för att inte falla oavsiktligt (se nästa sida).



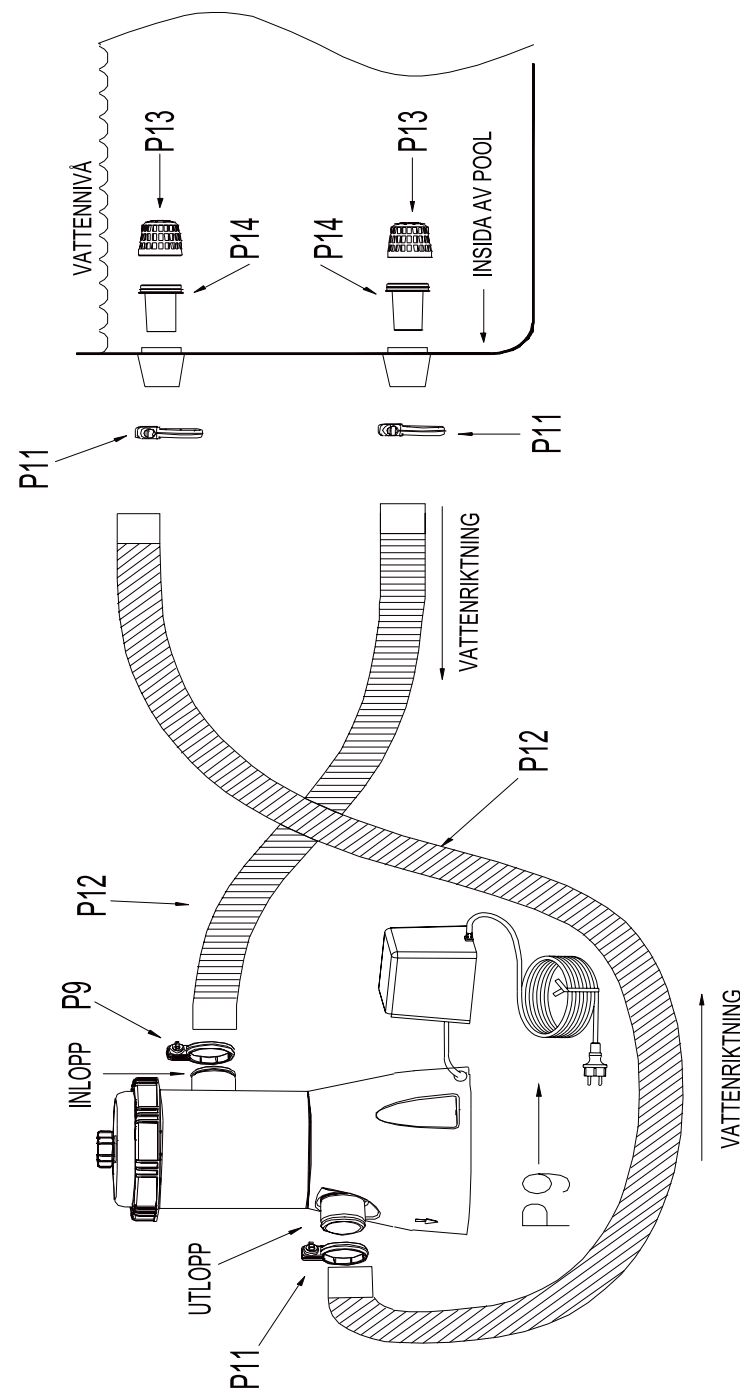
Artikelnr.	Beskrivning	ANTAL
P1	Luftsugslock	1
P2	Luftsugslock, tätning	1
P3	Hållare för filterkammarens lock	1
P4	Filterkammarens lock	1
P5	Filterkammare, gummipackning	1
P6	Filterkassett	1
P7	Filterkammare	1
P9	Nätkabel	1
P10	O-ring	2
P11	Slangklämma	4
P12	Slanganslutning	2
P13	Filternät enbart för 300 och 530 gal	2
P14	Kontakt enbart för 300 och 530 gal	2

Installationsinstruktioner

Se diagrammet på sidan 6 och 7 för referens.

1. Innan du börjar installera filterpumpen, måste poolen monteras och fyllas med vatten, genom att följa installatkinsinstruktionerna för poolen steg för steg. Använd bara filterpumpen när vattnet har nått poolens maximala nivå. Lågt vattentryck i pumpen kan leda till bullrande motorljud.
2. Ta bort filterpumpen och slangarna från förpackningen.
3. Placera filterpumpen minst 0,2 m och högst 1,0 m ner i poolens vatten.
4. OBS! Filterpumpen måste monteras på ett stadigt och jämnt underlag. Monteringshålen är placerade på pumpens bas, och pumpen kan monteras med skruvar.
5. Placera filterkassetten (P6) i filterkammaren (P7) och se till att filterkassetten (P6) är inuti filterkammaren (P7).
6. Sätt på filterhusets O-ring (P5) på filterkammaren (P7).
7. Sätt på filterhusets hölje (P3) på filterkammaren (P7).
8. Dra åt skruven (P3) på filterkammarens hölje i medurs riktning för hand.
9. Anslut en filterslang (P12) till filterpumpens instagsöppning (ovansida) och poolens nedre slanganslutning. Fäst slangen med slangklämmorna (P11).
10. Vrid försiktigt luftventilen (P1) moturs 1-2 varv.
11. Anslut den andra filterslangan (P12) till poolens övre slanganslutning och filterpumpens utloppsöppning (botten) (se sidan 7). Fäst slangen med slangklämmorna.
12. Ljudtrycksnivån är lägre än 82 dB (A).

INSTALLATIONSILLUSTRATION



ILLUSTRATIONEN ÄR INTE SKALENLIG

Driftsinstruktioner

1. Poolen måste vara fylld med vatten och filterpumpen placeras i lämpligt läge.
2. När vattnet flödar in i filterpumpen gör vattentrycket så att luft som kommit in släpps ut genom luftsugslock (P1).
3. Dra försiktigt åt luftsugslocket (P1) för hand i medurs riktning.
4. Anslut adaptorns nätsladd till AC 230V för att köra filterpumpen tills vattnet i poolen är klart.

Allmänt underhåll

1. Koppla ifrån strömmen till motorn innan du arbetar på pump eller motor.
2. Med tanke på delarnas slitage rekommenderas att ha vissa reservdelar tillgängliga samt två filterkassetter i reserv.
3. Ingen smörjning eller regelbundet mekaniskt underhåll behövs.
4. Tvätta utsidan av filtret med ett mildt rengöringsmedel och vatten, skölj av med slang.
5. Använd inte lösningsmedel för att rengöra filtret, lösningar kan skada plastkomponenter i systemet.
6. Bibehåll pH-nivå på 7,0 till 7,4 i poolen.
7. Adapterspänningen är AC 230V.
8. Placera inte filterpumpen i högt gräs, det kan göra att motorn överhettas.
9. När all poolvattnet har tömts ut, ta bort alla poolslangar från poolen och filterpumpen.
10. Töm ut vatten från alla slangar till filterpumpen.
11. Förvara alla filterdelar på en torr plats med god ventilation. Alla delar måste vara torra innan de förvaras.
12. Du kan förvara filterpumpen på en torr plats och använda originalförpackningen för förvaring inför nästa säsons användning.

Rengöring och byte

1. Kontrollera att 230 V-adaptorn slår ifrån strömtillförseln från eluttaget.
2. Moturs riktning för att ta bort filterkammarens lock (P3). Placera på en säker plats.
3. Rengör om filterkassetten använts (P6) eller byt vid behov.
4. Kontrollera filterkammarens insida (P7).
5. Om det finns smuts eller sediment i höljets botten, kan man t.ex. använda en hink med vatten eller en trädgårdsslang för att spola bort sediment eller smuts från höljet.
6. Sätt tillbaka hållaren för filterkammarens lock (P3) genom att vrida medurs, för att fästa på filterhöljet.
7. Sätt tillbaka adaptorns nätsladd.

Felsökningsguide

PUMPEN ARBETAR INTE:

- A. Kontrollera om någon säkring gått, jordfelsbrytare eller fränkopplade elledningar.

B. Kontrollera motorn. Om motorn är för varm eller överbelastning stängt av den. Låt motorn svalna.

C. Kontakta en expert.

VATTENFLÖDET ÄR FÖR LÅNGSAMT:

- A. Kontrollera om det finns hinder i inloppsslangen eller utloppsslangen i poolväggen.
- B. Dra åt slangklämmor, kontrollera att slangar är hela, kontrollera vattennivån i poolen.
- C. Rengör filterkassetten oftare. Kan återanvändas och lätt att rengöra med t.ex. en trädgårdsslang.

D. Byt filterkassett.

E. Kontakta en expert.

PUMPEN FORLORAR FLÖDET

A. Kontrollera att poolens vattennivå är minst 5 cm skumöppningen när systemet inte är igång.

B. Se till att det inte finns några läckor i sugledningarna.

C. Kontrollera om filterkassetten är smutsig och måste rengöras. Kan återanvändas och lätt att rengöra med t.ex. en trädgårdsslang.

D. Kontakta en expert.

FILTRET RENGÖR INTE POOLEN

A. Justera koor- och pH-nivån.

B. Rengör eller byt filterkassett. Kan återanvändas och lätt att rengöra med t.ex. en trädgårdsslang.

C. Kontrollera om det finns hål i kassetten. Byt om den är skadad.

D. Låt pumpen arbeta längre.

E. Ta bort smuts från filter-skärmen vid poolväggen.

F. Kontakta en expert.

BEGRÄNSAD GARANTI

KUNDER FÖR KÄNNEDOM – Läs igenom dessa uppgifter noga och spara originalkvittot tillsammans med detta garanticertifikat. Ditt kvitto krävs som inköpsbevis för att verifiera längden på ägandet av poolen.

Vi garanterar att alla komponenter i filterpump mot material- och tillverkningsfel vid normal användning och service för en period av 365 dagar från inköpsdatumet, endast för den ursprungliga köparen. Om någon komponent har bytts ut av konsument, skadats eller missbrukats kommer motsvarande garanti för dessa komponenter att vara ogiltig. I dessa situationer kommer du att underrättas om kostnaden för byte

och instruktioner för behandling. Registrera garantin inom 30 dagar från inköp på för att in bekräfta din garanti.

Om ett verifierbart tillverkningsfel upptäcks under den relevanta tidsperioden samtycker vi till reparation eller utbyte till någon alternativ pump under garanti förutsatt att inköpsbevis uppvisas.

Denna begränsade garanti är inte giltig om poolen används för kommersiella syftet eller om skadan orsakats av en olycka, force majeure, kunds missbruk, försummelse eller missförhållande, vandalism, felaktig användning av kemikalier, exponering för extrema väderförhållanden eller försumlighet under poolinstallation eller demontering.

Vi kan inte hållas ansvariga för kostnader för installation (inklusive vatten), arbete eller transportkostnader som uppstår på grund av byte av defekta delar. Denna begränsade täcker vidare inte några obehöriga ändringar på poolsystemet.

SHANGHAI JILONG SPORT AND LEISURE PRODUCTS CO., LTD
2555 XiuPu Road, Pudong Area, Shanghai, China.

www.JLeisure-Global.com

JIANGSU JILONG SPORT AND LEISURE PRODUCTS CO., LTD
NO.1 Industrial Area South Zhongchen Road Zhongyang Town, Suqian, Jiangsu, China

Korrekt kassering av produkten

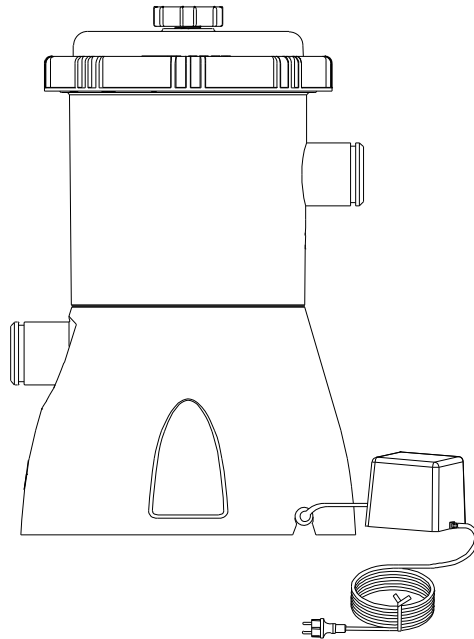


Denna märkning indikerar att produkten inte får kasseras tillsammans med annat hushållsavfall inom EU. För att förhindra skador på miljön eller människors hälsa från okontrollerad avfallshantering, ska den återvinnas för att främja hållbar återanvändning av materialresurser. För att återvinna, använd återvinnings- och uppsamlingsystem eller kontakta försäljaren av produkten, som kan ta produkten till miljövänlig återvinning.

avenli

SUPER REN FILTERPUMPE BRUKERMANUAL

29P414DE/29P415DE/29P416DE/29P417DE



Merk: Les alle instruksjonene grundig før du installerer filterpumpen.

INNHALDSFORTEGNELSE

Instruksjon	3
Sikkerhetsinstrukser.....	3-4
Deloversikt & Illustrasjon.....	5-6
Installasjonsinstrukser.....	6
Installasjonsillustrering.....	7
Bruksinstruksjoner.....	8
Generelt Vedlikehold.....	8
Rengjøring og Erstatning.....	8-9
Feilsøkingguide.....	9
Begrenset Garanti.....	10

Instruksjon

Vi takker deg for kjøpet av filterpumpen vår. Vi tror du vil synes den er enkel å installere og få til å fungere effektivt.

Dette filterpumpesystemet har blitt produsert etter de høyeste kvalitetsstandardene og vil tilby deg flere sesonger med glitrende ren vannaktivitet i Hurtigoppsettsbasseng og runde, ovale eller rektangulære Stålrammebasseng. Her finner du Jilong filterpumpen som er produsert med høykvalitetsytelse som kombinerer overlegen filtreringskapasitet og følgende egenskaper:

Designet for svømmebasseng over bakken.

Høyvolumstrømning gjennom filteret

Enkelt å installere og vedlikeholde

Lave kostnader på vedlikehold og bruk

Tilbyr stillegående, høykvalitets ytelse.

Kvalitetssertifisert produksjon.

Pålitelig, rustfritt og styrket materiale

Elegant og herlig design

Den lille størrelsen gjør den lett å oppbevare og legge sammen til vinteren

UL & GS sertifisert filterpumpe

Bedre for svømming og for miljøet.

Denne filterpumpesystemmanualen vil gi deg alle de enkle instruksjonene du trenger for å sette opp og bruke dette nymotens filterpumpesystemet på effektivt vis.

I tillegg til oppsettsinstruksjoner og retningslinjer for bruk, har vi også inkludert flere svært viktige Advarsler og Forsiktighetsregler som sørger for trygg bruk av dette nye filterpumpesystemet. Det er veldig viktig at du tar deg tid til å lese gjennom alt, og at du deler dem med alle som bruker og nyter bassenget ditt.

Vennligst sørg for at du har lest og forstått all informasjonen du finner i denne Manualen før første bruk.

Sikkerhetsinstrukser

Når du skal installere og bruke dette elektriske utstyret, må du følge de viktige punktene nedenfor og ta for deg forholdsreglene:

ADVARSEL Sjekk alle klemmer og systemtilbehør før du starter opp pumpen.

ADVARSEL Ikke gjem vekk adapterledningen. Plasser adapterledningen på et sted hvor den ikke risikerer å bli skadet av gressklippere, hagesakser eller annet utstyr.

ADVARSEL Dette apparatet er ikke laget for bruk av personer (inkludert barn) med redusert fysisk, sansemessig eller kognitiv funksjonsevne, eller av de uten erfaring og kunnskap om apparatet, med mindre de har fått opplæring eller instruksjoner på hvordan det brukes av en person som har ansvar for deres sikkerhet. Barn burde overvåkes så de ikke leker rundt eller med apparatet.

ADVARSEL Ikke bruk filterpumpen for å støvsuge bassenget. Denne enheten er kun laget for lagringsbare bassenger, og skal ikke brukes i permanent installerte bassenger.

ADVARSEL Adapterledningen og inngangsledningen på pumpen kan ikke erstattes. Om strømledningen eller inngangstråden er skadet, burde adapteren eller pumpen kastes.

ADVARSEL Ikke plasser 230 V adapteren nær bassenget. Transformatoren og stikkkontakten burde være minst 3,5 meter unna bassenget. Pumpen og adapteren skal ikke installeres på steder som kan overflommes (og som ikke har riktig stikkontakt)

ADVARSEL Sørg for at stikkkontakten utendørs er beskyttet av en jordfeilbryter (RCD) og at spenningsnivået for reststrøm ikke overgår 30 mA.

ADVARSEL Ikke slipp filterpumpen eller adapteren i vann.

ADVARSEL Før du starter opp filterpumpen må filterbasen festes på fast grunn med skruer.

ADVARSEL Unngå overoppheting av motoren på filterpumpen. Sørg for at pumpen kjører med vann, og at du ikke fjerner det mens du bruker apparatet.

Feil bruk vil forårsake overoppheting som vil kortslutte og skade motoren.

ADVARSEL Resterende luft vil få pumpen til å gå for fort, som skader filterpumpen. Skru forsiktig på luftutløsningsventilen (P1) for å slippe ut all luften fra slangen og filterboksen.

ADVARSEL: Dette apparatet kan kun brukes av barn over 8 år, og kun av personer med redusert fysisk, sansemessig eller kognitiv fungeringsevne om de overvåkes eller instrueres om sikker bruk av apparatet og forstår farene forbundet med det. Ikke la barn leke med dette apparatet. Barn burde ikke rengjøre eller utføre vedlikehold av apparatet uten tilsyn.

ADVARSEL: Adapterledningen kan ikke erstattes, om ledningen er skadet burde apparatet kastes.

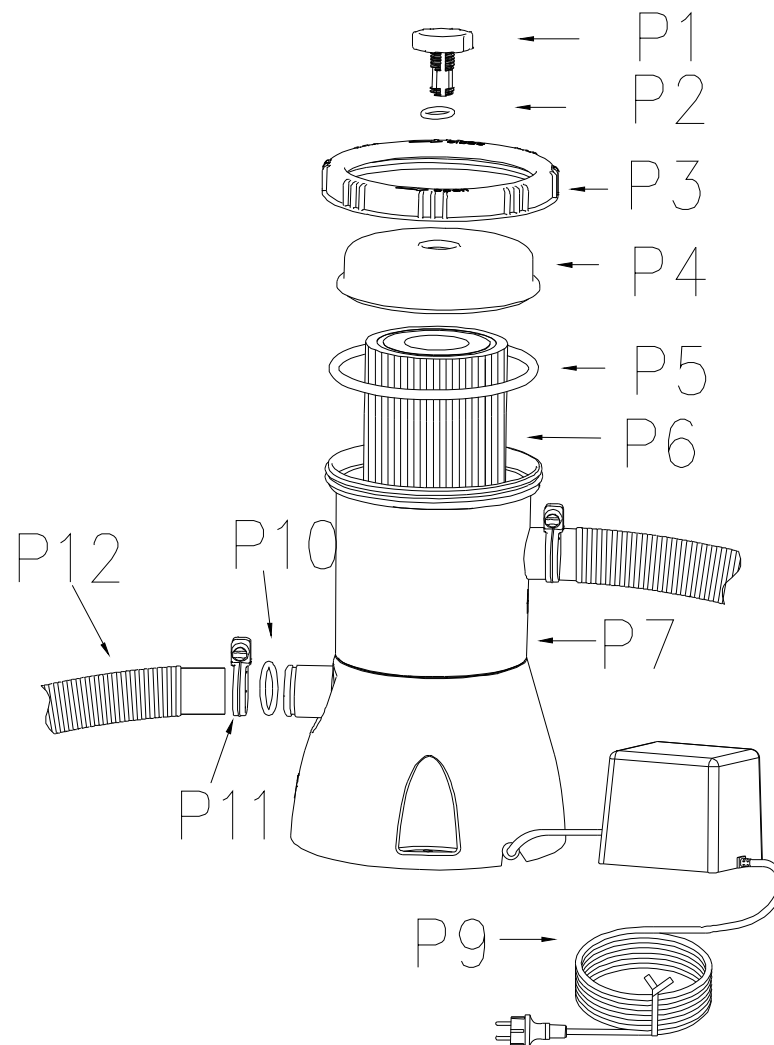
ADVARSEL: Pumpen må ikke brukes mens personer bader i vannet.

ADVARSEL: Pumpen må brukes med jordfeilbryter (RCD) med spenningsnivå for reststrøm som er lavere enn 30 mA.

ADVARSEL: Total statisk løftehøyde er 0,9 meter (for pumper med strøminngang på over 50W)

ADVARSEL: Dette apparatet burde installeres minst 2 meter unna bassenget, og pluggen burde være minst 3,5 meter fra. (Kun for det Franske markedet)

ADVARSEL: Pumpen må festes i bakken eller på en opphøyning med to $\Phi 5$ bolter eller skruer for å forhindre falluhell (se neste bilde).



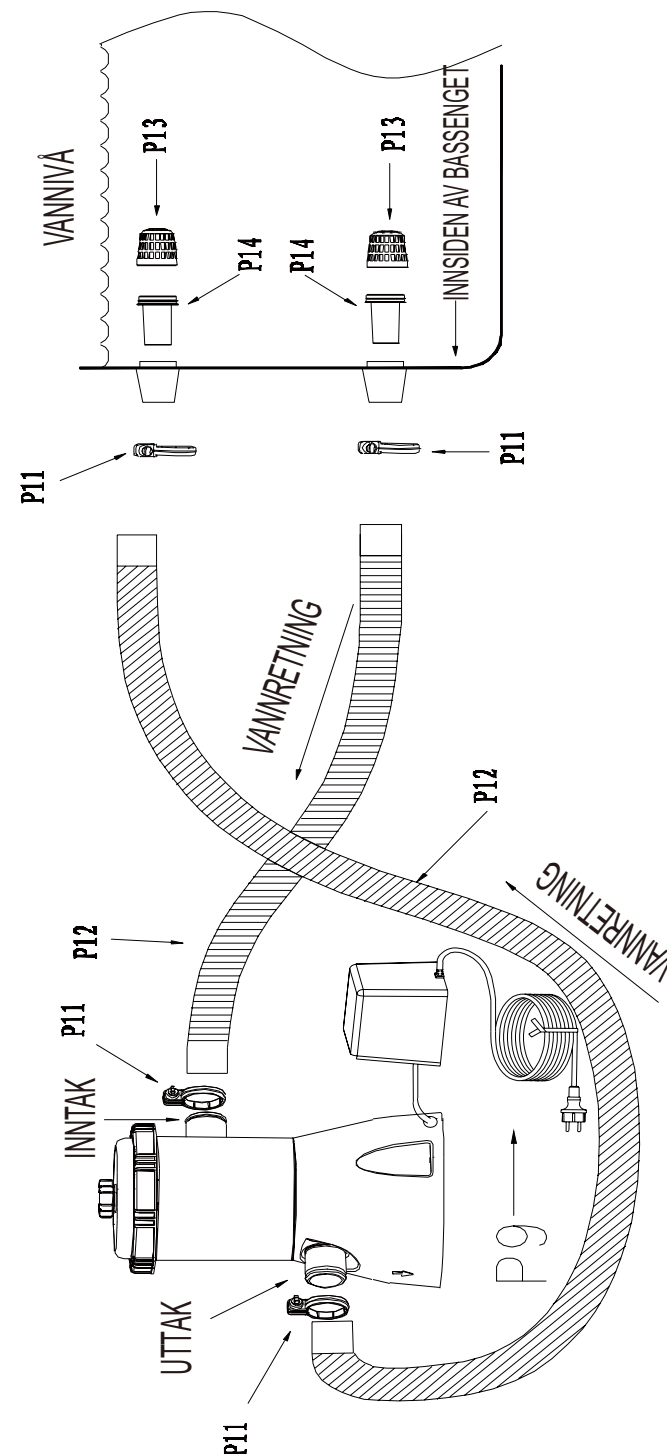
Enhetsnummer	Beskrivelse	Kvantitet
P1	Luftrensingsdeksel	1
P2	Luftrensingssegl	1
P3	Filterkammer Dekselholder	1
P4	Filterkammerdeksel	1
P5	Filterkammersegl i gummi	1
P6	Filterpatron	1
P7	Filterkammer	1
P9	Adapterledning	1
P10	O-ring	2
P11	Slangeklemme	4
P12	Koblingslange	2
P13	Filternett Kun til 300&530gal	2
P14	Kontakt kun til 300&530gal	2

Installasjonsinstrukser

Vennligst se diagrammet på Side 6 & 7 for referanser.

1. Sørg for at bassenget er satt opp etter instruksene og at vannet er fylt før du installerer filterpumpen. Bruk kun filterpumpen når vannet ligger på makshøyden i bassenget. Lavt vanntrykk i pumpen kan føre til bråkete motorlyder.
2. Fjern filterpumpen og slangene fra pakningen.
3. Plasser filterpumpen ved bassengvannet minst 0,2 m og ikke over 1,0 m.
4. Vennligst merk: filterpumpen må monteres på solid og jevn overflate. Det er plassert monteringshull på bunnen av pumpen som kan festes med skruer.
5. Putt filterpatronen (P6) inn i Filterkammeret (P7) og sørg for at Filterpatronen (P6) er ordentlig på plass inne i Filterkammeret (P7).
6. Putt Filterkammerseglet (P5) oppå Filterkammeret (P7).
7. Putt Filterkammer Dekselholderen (P3) oppå Filterkammeret (P7).
8. Deretter skrur du fast Filterkammer Dekselholderen (P3) i retning med klokken.
9. Koble en Filterslange (P12) til innløpsporten på Filterpumpen (over) og fest andre siden til det nedre slangeinntaket i bassenget. Fest slangen med slangeklemmer (P11).
10. Skru forsiktig på luftutløsningsventilen (P1) i motsatt klokke retning 1 til 2 ganger.
11. Koble den andre Filterslangen (P12) til det øvre slangeinntaket og utfølsporten (under) på Filterpumpen (se side 7). Fest slangen med slangeklemmer.
12. Det riktige trykknivået er på under 82 dB (A).

INSTALLASJONSILLUSTRERING



ILLUSTRASJONEN ER IKKE SKALERT

Bruksinstruksjoner

1. Sørg for at bassenget allerede er fylt opp med vann for deretter å plassere Filterpumpen på et passende sted.
2. Mens vannet strømmer inn i filterpumpen, sørger vanntrykket for at luften som er inni slipper ut fra luftutløsningsventilen (P1).
3. Deretter kan du forsiktig skru på luftutløsningsventilen (P1) i retning med klokken.
4. Koble strømledningsadapteren til AC 230V for å bruke Filteret. Pump til vannet er helt klart.

Generelt Vedlikehold

1. Fjern strømmen til motoren før du gjør arbeid på pumpen eller motoren.
2. Ha ekstra deler tilgjengelig, vi anbefaler på det sterkeste å ha to Filterpatroner i tilfelle utbytte er nødvendig.
3. Smøring eller mekanisk vedlikehold trengs ikke.
4. Vask utsiden på filteret med mild såpe og vann, og skyll med hageslange.
5. Ikke bruk løsemidler for å rengjøre filteret; løsemidler kan skade plastkomponentene på systemet.
6. Oppretthold et Ph nivå på mellom 7.0 og 7.4 i bassenget.
7. Spenningen på adapteren er AC 230 V.
8. Ikke plasser Filterpumpen i høyt gress, da det kan føre til at motoren overopphetes.
9. Etter at bassengvannet er fullstendig uttømt, må alle bassengslanger fjernes fra bassenget og Filterpumpen.
10. Tøm ut alt vann fra komponentene i Filterpumpen.
11. Lagre alle filterdelene dine på et tørt lagringssted som er godt ventilert. Sørg for at alle delene er tørre før lagring.
12. Du kan lagre Filterpumpen på et tørt sted og bruke den originale innpakningsboksen for å lagre utstyret til bruk i neste sesong.

Rengjøring og erstatning

1. Sørg for at 230 V adapteren er frakoblet fra stikkontakten.
2. Fjern Filterkammer Dekselholderen (P3) i retning mot klokka. Legg den på et trygt sted.
3. Rengjør den brukte Filterpatronen (P6) eller erstatt den om nødvendig.
4. Sjekk innsiden på Filterkammeret (P7).
5. Om du finner skitt eller avleiringer på bunnen av beskyttelsesboksen kan du skylle det vekk med en bøtte vann eller hageslange.
6. Skru filterkammer Dekselholderen (P3) tilbake i samme posisjon som før i retning mot klokka for å sette den fast på Filterboksen.
7. Sett adapteren inn i stikkontakten igjen.

Feilsøkingguide

PUMPEN FUNGERER IKKE:

- A. Sjekk etter om sikringen har røkt, om det har oppstått kretsbrudd eller det finnes elektriske ledninger som ikke er koblet til.
 - B. Sjekk motoren. Om motoren er for varm eller overopphetes, skal den skrus av. La motoren kjøle seg ned.
 - C. Snakk med en ekspert.
- MOTOREN GÅR, MEN PUMPER IKKE VANN, ELLER VANNSTRØMMINGEN ER FOR TREIG:**

- A. Sjekk om noe blokkerer inntaks- eller uttaksslangen inni bassengveggen.
- B. Stram slangeklemmene, sjekk etter skader på slangene, og sjekk vannivået i bassenget.
- C. Rengjør filterpatronen oftere. Den er gjenbrukbar og lett å rengjøre med hageslange.
- D. Bytt ut filterpatronen.
- E. Snakk med en ekspert.

PUMPEN MISTER KRAFT

- A. Sørg for at vannivået i bassenget er minst 5 cm over bunnen av skimmerhalsen når systemet ikke er i bruk.
- B. Sørg for at det ikke er lekkasjer i sugrørene.
- C. Sjekk om filterpatronen er skitten og trenger rengjøring. Den er gjenbrukbar og lett å rengjøre med hageslange.
- D. Snakk med en ekspert.

FILTERET RENSER IKKE BASSENGET

- A. Juster klor og pH nivåer.
- B. Rengjør eller bytt ut filterpatronen. Gjenbrukbar og lett å rengjøre med hageslange.
- C. Sjekk etter hull i patronen. Bytt ut hvis skadet.
- D. La pumpen være på lenger.
- E. Vask vekk skitt fra sileskjermen i bassengveggen.
- F. Snakk med en ekspert.

BEGRENSET GARANTI

KUNDEBEMERKNING – Vennligst les grundig gjennom denne beretningen og behold den originale butikkvitteringen sammen med dette garantisertifikatet til enhver tid. Kvitteringen din kreves som bevis på kjøpet ditt og til verifisering av hvor lenge du har eid apparatet.

Vi gir garanti for alle komponenter som utgjør denne filterpumpen angående defekter på materialer og produksjon under normal bruk og service i en 365-dagers periode fra kjøpsdatoen, kun for den originale eieren. Om en av komponentene har blitt byttet ut av brukeren, skadet eller misbrukt, blir korresponderende garanti for disse komponentene gjort ugyldig. I disse tilfellene, vil du bli gitt informasjon om kostnaden på erstatningsdeler og behandling. Vennligst registrer garantien innen 30 dager fra kjøpsdato på www.JLeisure-Global.com for å validere garantien din.

Om en verifiserbar produksjonsfeil blir funnet i løpet av garantiperioden, godtar vi å reparere eller erstatte en hvilken som helst pumpe etter eget valg om gyldig kjøpsbevis presenteres.

Denne begrensede garantien er ikke gyldig om bassenget brukes kommersielt, eller om skaden er forårsaket av en ulykke, brukerfeil, forsømmelse, vandalisme, feil bruk av kjemikalier, utsettelse for ekstreme værforhold eller uforsiktighet under oppsett eller demontering av basseng.

Vi kan ikke holdes ansvarlige for kostnader relatert til installering (inkludert vann), arbeidskraft eller transportutgifter som pådras ved erstatning av defekte deler. Denne begrensede garantien dekker i tillegg ingen form for uautorisert modifisering av bassengsystemet.

SHANGHAI JILONG SPORT AND LEISURE PRODUCTS CO., LTD
2555 XiuPu Road, Pudong Area, Shanghai, China.

www.JLeisure-Global.com

JIANGSU JILONG SPORT AND LEISURE PRODUCTS CO., LTD
NO.1 Industrial Area South Zhongchen Road Zhongyang Town, Suqian, Jiangsu, China

Korrekt Deponering av Produktet

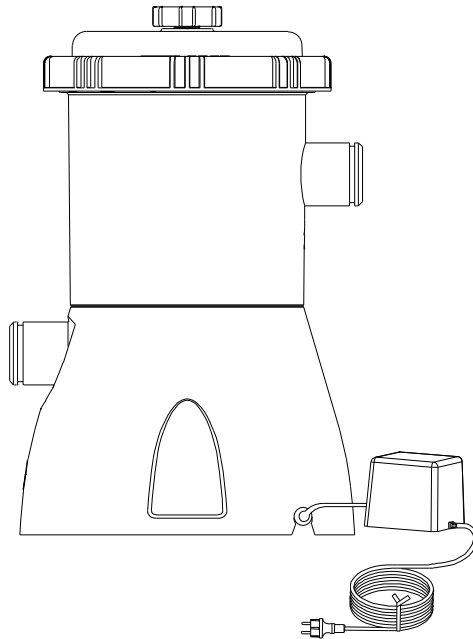


Dette merket viser at produktet ikke skal kastes sammen med andre husholdningsgjenstander i EU regionen. For å unngå mulige skader på miljø eller helse gjennom ukontrollert søppeldeponering, må produktet resirkuleres ansvarlig for å fremme bærekraftig gjenbruk av materielle ressurser. For å returnere det brukte produktet ditt, vennligst bruk returnerings- og samlingsystemer eller kontakt forhandleren hvor produktet ble kjøpt. De kan deponere produktet og sørge for sikker resirkulering.

avenli

SUPER SIISTIN SUODATINPUMPUN KÄYTTÖOHJE

29P414DE/29P415DE/29P416DE/29P417DE



**Huomio: Lue kaikki ohjeet huolellisesti ennen
suodatinpumppun asentamista.**

Sisällysluettelo

Ohje	3
Turvallisuusohjeet.....	3-4
Osien listaus & Kuvaus.....	5-6
Asennusohjeet.....	6
Asennuksen kuvaus.....	7
Käytön ohjeet	8
Yleinen huolto.....	8
Siivous ja korvaaminen.....	8-9
Ongelmien kartoituksen ohje.....	9
Rajoitettu takuu.....	10

Ohjeistus

Kiitämme sinua meidän pumppumme oston puolesta. Luulemme, että sinun on aika helppoa asentaa se ja se myös toimii tehokkaasti.

Tämä suodatinpumppu on tuotettu korkeimpien laadun vaatimusten mukaisesti ja tarjoaa jaksoja puhdasta, säkenöivää vettä uuteen nopeasti asennettuun työkaluun, pyöreä teräksiseen altaaseesi, soikeaan teräsrunko altaaseesi ja suorakaiteen muotoiseen teräs altaaseesi. Tässä on Jilon suodatinpumppu tuotettu korkealaatuiseen tehoon, joka yhdistää erinomaisen suodatuksen ja seuraavat yksityiskohdat:

Suunniteltu maanpäälliseen uima altaaseen

Suuren tilavuuden virta suodattimen läpi

Helppo asennus ja huolto

Alhaiset huolto ja käyttökustannukset

Tarjoaa hiljaista ja laadukasta suorituskykyä

Laatusertifioitu rakenne

Luotettava, korroosion kestävä ja lujitettu materiaali

Tyylikäs ja ihastuttava muotoilu

Pienempi koko on helppo säilyttää ja on kompakti talveksi

UL & GS sertifioitu suodatinpumppu

Turvallisempi uinnille ja ympäristölle

Tämä suodatinpumppujärjestelmän ohjekirja tarjoaa sinulle kaikki helposti käsiteltävät ohjeet tämän huipputeknisen pumppujärjestelmän asentamiseksi ja käyttämiseksi, tehokkaasti.

Asennusohjeiden ja toimintaohjeiden lisäksi sisällytämme mukana myös useita erittäin tärkeitä varoituslausekkeitä, jotka liittyvät tämän uuden suodatinpumppujärjestelmän turvalliseen käyttöön ja nautintoon.

On erittäin tärkeää, että luet ne kaikki ja jaat ne kenelle tahansa henkilölle, joka nauttii uima altaan käytöstä.

Varmista, että olet lukenut ja ymmärtänyt tämän oppaan tiedot ennen ensimmäistä käyttökertaa.

Turvallisuusohjeet

Kun haluat asentaa ja käyttää tätä sähkölaitetta, seuraa alla olevia kohtia ja noudata varotoimenpiteitä:
VAROITUS Tarkasta kaikki pihdit ja lisävarusteet ennen pumpun käyttöä.

VAROITUS Älä hautaa adapterin virtajohtoa. Laita johto paikalle, jossa ruohonleikkurit, pensasleikkurit ja muut laitteet eivät vahingoita sitä.

VAROITUS Henkilöt (mukaan lukien lapset), joilla on heikentyneet fyysiset, aistilliset tai henkiset kyvyt tai joilla ei ole kokemusta ja tietoja eivät ole tarkoitettu laitteen käyttäjiksi, paitsi jos heidän turvallisuudestaan vastuussa oleva henkilö valvoo laitteen käyttöä. Lapsia tulee valvoa sen varmistamiseksi, että he eivät leiki laitteen kanssa.

VAROITUS Älä käytä tätä suodatinpumppua altaan tyhjentämiseen. Tämä yksikkö on suunniteltu vain varastoitavalle uima-altaalle, ei pysyvästi asennetulle altaalle.

VAROITUS Sovittimen virtajohtoa ja pumpun tulojohtoa ei voida vaihtaa. Jos virtajohto tai tulojohto on vaurioitunut, sovitin tai pumppu tulisi romuttaa.

VAROITUS Älä aseta 230 V:n sovitinta uima-altaan lähelle. Muuntajan ja pistorasian tulee olla yli 3,5 metrin päässä uima-altaasta. Pumppua ja sovitinta ei saa asentaa alueille, jotka voivat olla tulvia (ja joilla ei ole riittävää aukkoa).

VAROITUS Varmista, että ulkona oleva pistorasia on suojattu jäännösvirtalaitteella (RCD), jonka nimellinen jäännösvirta on enintään 30 mA.

VAROITUS Älä pudota suodatinpumppua tai sovitinta veteen.

VAROITUS Ennen suodatinpumpun käynnistämistä on suodatinkotelon kiinnitys kiinnitettävä ruuveilla kiinteälle pinnalle.

VAROITUS Vältä suodatinpumppumoottorin ylikuumentumista. Varmista, että pumppu käy veden kanssa, äläkä koskaan jätä vettä pois, kun käytät tätä laitetta. Väärä käyttö ylikuumentumisen aiheuttamiseksi aiheuttaa moottorin uupumisen ja vaurioitumisen.

VAROITUS Jäljellä oleva ilma saa pumpun kilpailemaan ja vaurioittamaan suodatinpumppua. Käännä ilmanpoistventtiiliä (P1) varovasti, jotta kaikki ilma ja letkusta ja suodattimen kotelosta poistuvat.

VAROITUS: Tätä laitetta voivat käyttää vähintään 8-vuotiaat lapset tai henkilöt, joilla on heikentyneet fyysiset, aisti- tai henkiset kyvyt tai joilla ei ole kokemusta ja tietoa, jos heille on annettu valvontaa tai ohjeita laitteen turvallisesta käytöstä ja he ymmärtävät vaarat mukana. Älä anna lasten leikkiä tällä laitteella. Lasten ei tulisi suorittaa puhdistusta tai käyttäjän ylläpitoa ilman valvontaa.

VAROITUS: Virtajohtoa ei voi vaihtaa, jos se on vaurioitunut, vaan laite tulisi romuttaa.

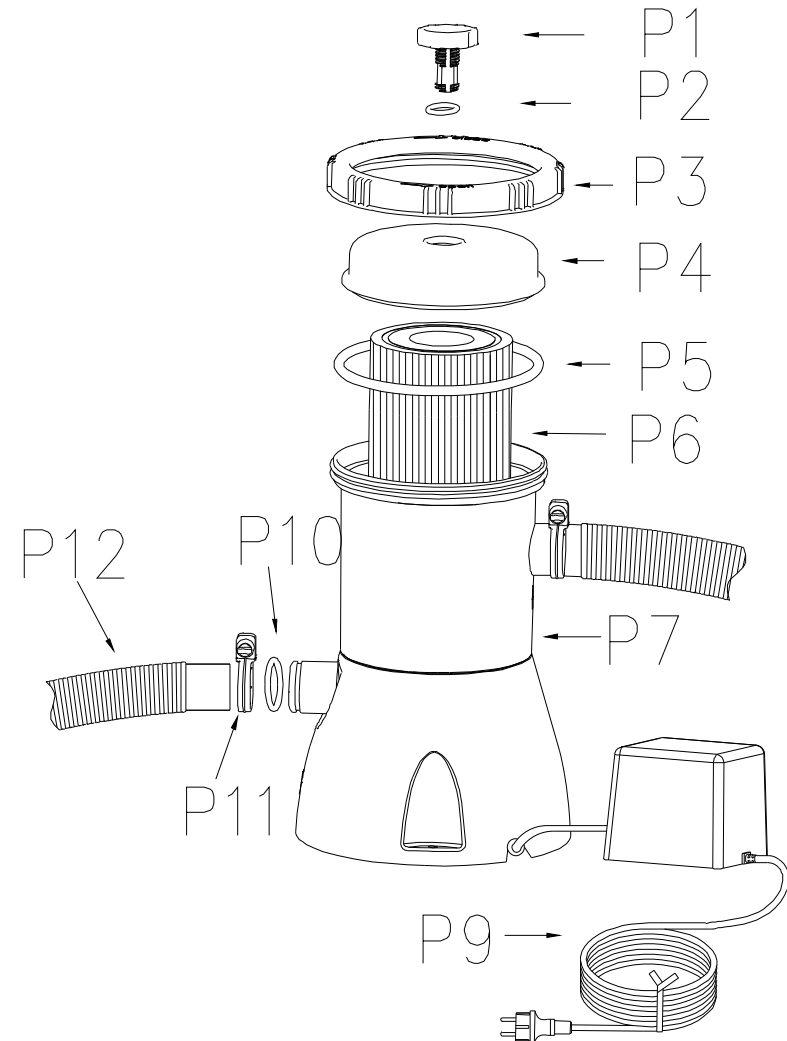
VAROITUS: Pumppua ei saa käyttää, kun ihmisiä on vedessä.

VAROITUS: Pumppu on toimitettava jäännösvirtalaitteen (RCD) kautta, jonka

nimellinen virta ei ylitä 30mA.

VAROITUS: Suurin pää 0,9 metrisenä (pumpuille, joiden nimellisteho on yli 50 W)

VAROITUS: Tämä laite on asennettava vähintään 2 metrin päähän uima-altaasta ja pistokkeen on oltava 3,5 metrin päässä altaasta. (Vain Ranskan markkinoille) **VAROITUS:** Pumppu on kiinnitettävä maahan tai tiettyyn alustaan kahdella 5 pultilla tai ruuvilla vahingossa tapahtuvan putoamisen estämiseksi (katso seuraava kuva).



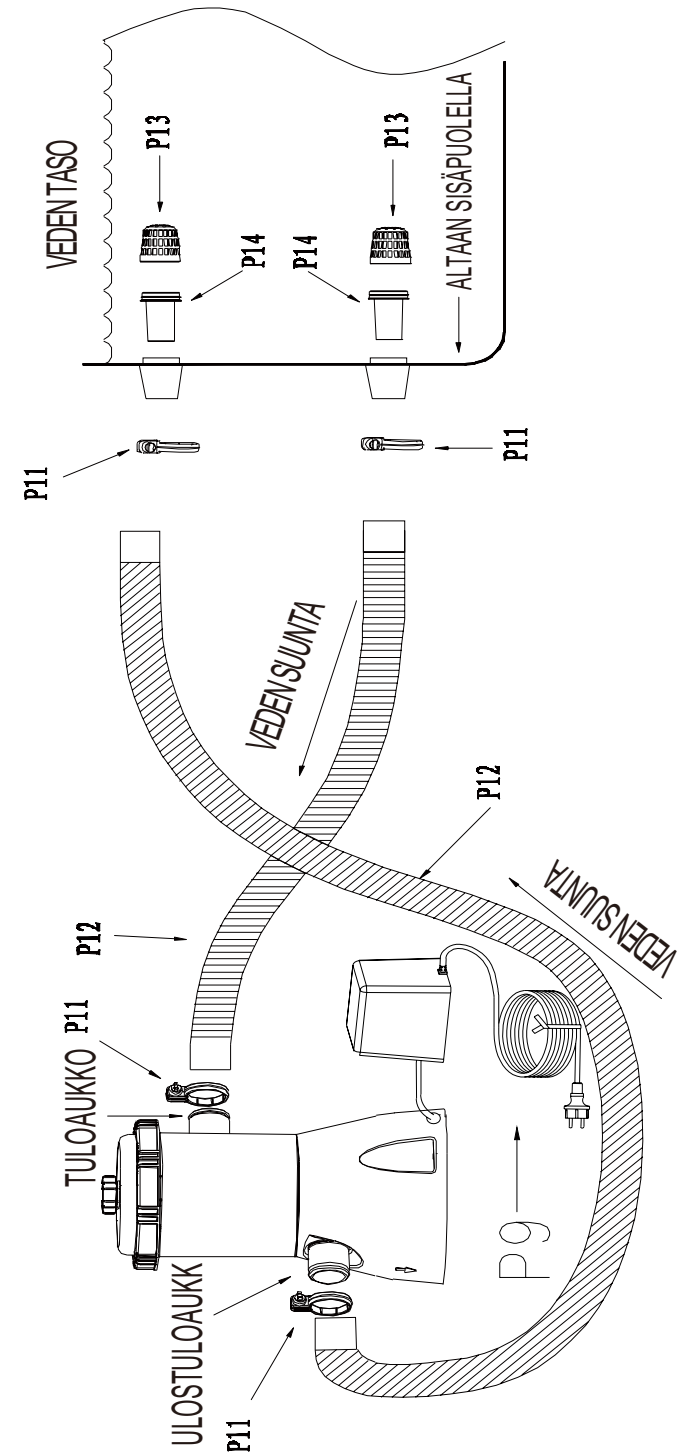
Tuote nro.	Kuvaus	Määrä
P1	Ilmanpuhdistimen kansi	1
P2	Ilmanpuhdistimen kannen tiiviste	1
P3	Suodatuskammion kannen pidike	1
P4	Suodatuskammion kansi	1
P5	Suodatuskammion kumitiiviste	1
P6	Suodatinpatruuna	1
P7	Suodatuskammio	1
P9	Virtajohto	1
P10	O-sormus	2
P11	Letkunkiristin	4
P12	Liitinletku	2
P13	Suodatinverko vain 300 ja 530 gallonaa	2
P14	Liitin vain 300 & 530 gallonaa	2

Asennusohjeet

Katso sivujen 6 ja 7 kaavio viitteiksi.

- Ennen kuin aloitat suodatinpumpun asentamisen, muista valmistella uima allas ensin ja täyttää vesi ensin noudattamalla uima altaan valmisteluohjeita vaihe vaiheelta. Käytä suodatinpumpua vain, silloin kun vesi on saavuttanut uima-altaan maksimitason. Alhainen vedenpaine pumpussa voi johtaa moottorin meluun.
- Poista suodatinpumppu ja letkut pakkauksesta.
- Sijoita suodatinpumppu uimaveden alapuolelle vähintään 0,2 m ja korkeintaan 1,0 m.
- Huomaa: Suodatinpumppu on asennettava tukevalle ja tasaiselle alustalle. Pumpun rungossa on asennusreikiä ja voit asentaa pumpun ruuveilla.
- Laita suodatinpatruuna (P6) suodatinkammioon (P7) ja varmista, että suodatinpatruuna (P6) on suodatuskammion (P7) sisällä.
- Aseta suodatinkotelon O-rengas (P5) suodatinkammioon (P7).
- Aseta suodatinkotelon kansi (P3) suodatinkoteloon (P7).
- Kiristä sitten sormella suodatuskammion kannen pidike (P3) myötäpäivään.
- Kytke yksi suodatinletku (P12) suodatinpumpun (yläosa) sisään-tuloaukkoon ja altaan alempaan letkuliitäntään. Kiinnitä letku letkunkiristimillä (P11).
- Käännä ilmausventtiiliä (P1) varovasti vastapäivään 1-2 kierrosta.
- Liitä toinen suodatinletku (P12) altaan ylempään letkuliitäntään ja suodatinpumpun poistoaukkoon (alaosa) (katso sivu 7). Kiinnitä letku letkunkiristimillä.
- Äänenpainetaso on alle 82 dB (A).

I INSTALLATION ILLUSTRATION



KUVA EI MITTAKAAVAN MUKAINEN

Käyttöohjeet

1. Varmista, että uima allas on jo täynnä vettä ja aseta suodatinpumppu sopivaan asentoon.
2. Kun vesi virtaa suodatinpumppuun, vedenpaine antaa sisälle tulevan ilman poistua ilmanpoistoveniilistä (P1).
3. Kiristä sitten sormella varovasti ilmanvaihtoveniiliä (P1) myötäpäivään.
4. Kytke adapterin virtajohto AC 230V: sen suodattimen käyttämiseksi ja Pumppaa, kunnes uima-altaan vesi on kirkasta.

Yleinen kunnossapito

1. Katkaise moottorin virta ennen töitä pumpulla tai moottorilla.
2. Pidä joitain varaosia käytöstä riippuen, varaa sopivastii kaksi suodatinpatruunaa varakäyttöön.
3. Voitelua tai säännöllistä mekaanista huoltoa ei tarvita.
4. Pese suodattimen ulkopuoli miedolla pesuaineella ja vedellä, huuhteleta letkulla.
5. Älä käytä suodattimia liuottimien puhdistamiseen; liuottimet voivat vahingoittaa järjestelmän muoviosia.
6. Pidä pH-taso altaassa 7,0 - 7,4 rajoilla.
7. Sovittimen jännite on AC 230 V.
8. Älä aseta suodatinpumppua korkeaan ruohoon. Se saattaa aiheuttaa moottorin ylikuumentumisen.
9. Kun uima altaan vesi on tyhjennetty kokonaan, poista kaikki uima altaan letkut uima-altaalta ja suodatinpumppu.
10. Poistovesi suodatinpumpun kaikista kotelosta.
11. Säilytä kaikki suodatinpalat kuivassa säilytyspaikassa ja ilmanvaihdolla. Varmista ennen varastointia, että kaikki osat ovat kuivia.
12. Voit säilyttää suodatinpumpun kuivassa paikassa ja hyödyntää alkuperäistä pakkauslaatikkoa varastointia varten seuraavan kauden käyttöön.

Puhdistus ja vaihto

1. Varmista, että 230 V: n adapteri irrottää virtajohtoon pistorasiasta.
2. Irroita suodatinkammion kannen pidike (P3) vastapäivään. Sijoita se turvalliseen paikkaan.
3. Puhdista käytetty suodatinpatruuna (P6) tai vaihda se tarvittaessa.
4. Tarkasta suodatinkammion (P7) sisäpuoli.
5. Jos kotelon pohjalta löytyy likaa tai sedimenttiä, suorita pesu vesisämmällä tai puutarhaletkulla, jotta kotelo huuhdellaan sedimentistä tai liasta.
6. Palauta suodatinkammion kannen pidike (P3) paikalleen ja myötäpäivään kiinnittääksesi suodatinpesään.

7. Kytke adapterin virtajohto takaisin.

Vianmääritysohje

PUMPPU EI TOIMI:

- A. Tarkista, ettei sulakkeita, katkaisijoita tai sähköjohtoja ole irrotettu.
- B. Tarkasta moottori. Jos moottori on liian kuuma tai ylikuormitettu, sulje. Anna moottorin jäähtyä.
- C. Kysy asiantuntijalta...

MOOTTORIN KÄYTTÖ, MITEN VESI EI PUMPU VESIÄ TAI VESIVUORA ON liian hidasa:

- A. Tarkista, ettei imuletkussa tai poistoletkussa ole esteitä uima-altaan seinämän sisällä.
- B. Kiristä letkunkiristimet, tarkista letkut vaurioiden varalta, tarkista uima-altaan vesitaso.
- C. Puhdista suodatinpatruuna useammin. Uudelleenkäytettävä ja helppo puhdistaa esim. puutarhaletkulla.
- D. Vaihda suodatinpatruuna.
- E. Kysy asiantuntijalta.

PUMPPU MENETTÄÄ LOISTONSA

- A. Varmista, että uima-altaan vedenpinta on vähintään 5 cm yläpuolella kuristimen kurkun pohjasta, kun järjestelmä ei toimi.
- B. Varmista, että imuputkistoissa ei ole vuotoja.
- C. Tarkista, onko suodatinpatruuna likainen ja tarvitseeko se puhdistaa. Uudelleenkäytettävä ja helppo puhdistaa esim. puutarhaletkulla. D. Ota yhteyttä vientiin.

Suodatin ei puhdistaa uima-allasta

- A. Säädä kloori ja pH-taso.
- B. Puhdista tai vaihda suodatinpatruuna. Uudelleen käytettävä ja helppo puhdistaa e. g. puutarhaletkulla.
- C. Tarkista, ettei patruunassa ole reikiä. Vaihda, jos se on vaurioitunut.
- D. Anna pumpun toimia pidempään.
- E. Puhdista roskat suodatussuodattimelta uima-altaan seinältä.
- F. Kysy asiantuntijalta.

RAJOITETTU TAKUU

HUOMIO ASIAKAS - Lue tämä lausunto huolellisesti ja säilytä alkuperäiskaupan kuitti ja takuutodistus aina. Kuittisi vaaditaan ostotodistukseksi ja poolisi omistajuuden pituuden tarkistamiseksi.

Takaamme, että kaikki tämän suodatinpumpun komponentit ovat normaalissa käytössä ja huollossa olevien materiaali- ja valmistusvirheiden varalta, 365 päivän ajan ostopäivästä alkaen vain alkuperäiselle omistajalle. Jos jokin komponenteista on vaihdettu kuluttajalle, vaurioitunut tai sitä on käytetty väärin, kyseisille komponenteille annettu takuu raukeaa. Tässä tilanteessä sinulle ilmoitetaan varaosien kustannuksista ja käsittelyohjeista. Rekisteröi takuu 30 päivän sisällä ostoksesta www.JLeisure-Global.com vahvistaaksesi takuusi.

Jos havaittavissa on todennettavissa oleva valmistusvirhe kyseisenä ajanjaksona, sitoudumme korjaamaan tai korvaamaan vaihtoehtona kaikki takuun piiriin kuuluvat pumput, mikäli esitetään asianmukaiset todisteet ostosta.

Tämä rajoitettu takuu ei ole voimassa, jos uima-allasta käytetään kaupallisiin tarkoituksiin tai jos vahinko on aiheutunut onnettomuudesta, jumalanteosta, kuluttajien väärinkäytöstä, laiminlyönnistä tai väärinkäytöksistä, vandalismista, kemikaalien epäasianmukaisesta käytöstä, altistumisesta äärimmäisille sääolosuhteille tai huolimattomuus uima-altaan perustamisen tai purkamisen aikana.

Meitä ei voida pitää vastuussa asennuskustannuksista (mukaan lukien vesi), työ- tai kuljetuskustannuksista, jotka aiheutuvat viallisten osien vaihtamisesta. Tämä rajoitettu takuu ei myöskään kata mitään luvattomia muutoksia uima-allasjärjestelmään.

SHANGHAI JILONG SPORT AND LEISURE PRODUCTS CO., LTD
2555 XiuPu Road, Pudong Area, Shanghai, China.

www.JLeisure-Global.com

JIANGSU JILONG SPORT AND LEISURE PRODUCTS CO., LTD
NO.1 Industrial Area South Zhongchen Road Zhongyang Town, Suqian, Jiangsu, China

Tuotteen oikea hävittäminen

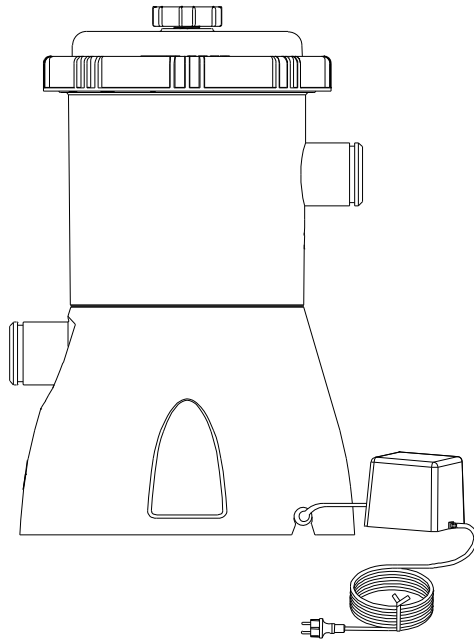


Tämä merkintä osoittaa, että tätä tuotetta ei tule hävittää muiden talousjätteiden kanssa kaikkialla EU:ssa. Kierrätä se vastuullisesti materiaalivarojen kestävä uudelleenkäytön edistämiseksi, jotta vältetään mahdollinen haitta ympäristölle tai ihmisten terveydelle. Palauta käytetty laite käyttämällä palautus- ja keräysjärjestelmiä tai ottamalla yhteyttä jälleenmyyjään, josta tuote on ostettu. He voivat viedä tämän tuotteen ympäristöystävälliseen kierrätykseen.

avenli

Brugervejledning til superren filterpumpe

29P414DE/29P415DE/29P416DE/29P417DE



Advarsel: Læs alle instruktionerne omhyggeligt, inden du installerer filterpumpen.

INDHOLDSFORTEGNELSE

Instruktion	3
Sikkerhedsinstruktioner	3-5
Delliste & billeder	5-6
Installationsvejledninger	6
Installationsbilleder	7
Betjeningsinstruktioner	8
Generel vedligeholdelse	8
Rengøring og udskiftning	8
Fejlfinding.....	9
Begrænset garanti	10

Instruktion

Vi takker for dit køb af vores filterpumpe. Vi tror, du vil finde det ganske simpelt at installere og bruge dette produkt.

Dette filterpumpesystem er blevet fremstillet efter de højeste kvalitetsstandarder, og vil sørge for at vandet i din nye pool, omend der er en hurtig opsat pool, pool med rund stålramme, pool med oval stålramme eller pool med rektangulær stålramme, er rent sæson efter sæson. Dette er en filterpumpe fra Jilong af høj kvalitet, og som kombinerer overlegen filtrering med følgende funktioner:

Fremstillet til swimmingpool, der står oven på jorden

Filter, der er beregnet til filtrering af store mængder vand

Nem installation og vedligeholdelse

Lave omkostninger til vedligeholdelse og drift

Driften er stille og af høj kvalitet

Kvalitetscertificeret konstruktion

Pålidelig, korrosionsbestandigt og forstærket materiale

Elegant og flot design

Lille og kompakt, så den er nem at gemme væk over vinteren

UL- og GS-certificeret filterpumpe

Sikrere for svømning og for miljøet

I denne vejledning til dit filterpumpesystem finder du alle de oplysninger, du skal bruge til at montere og betjene dette filterpumpesystem.

Ud over vejledningerne til monteringen og betjeningen, har vi også medtaget en række meget vigtige advarsels- og forholdsregler, som fortæller dig hvordan filterpumpesystemet bruges sikkert og uden problemer. Det er meget vigtigt, at du tager dig tid til at læse alle disse oplysninger, og dele dem med alle personer, der benytter din pool.

Vær sikker på, at du læser og forstår oplysningerne i denne vejledning inden brug

Sikkerhedsinstruktioner

Når du monterer og bruger dette elektriske udstyr, skal du følge de vigtige punkter nedenfor og tage følgende forholdsregler i brug:

ADVARSEL Kontroller alle klemmer og systemtilbehør, inden du starter pumpen.

ADVARSEL Ledningen til adapteren må ikke nedgraves Før ledningen fra adapteren på en måde, så den ikke bliver ødelagt af en

plæneklipper, hækkesaks eller andet udstyr.

ADVARSEL Dette apparat er ikke beregnet til brug af personer (herunder børn) med nedsat fysisk, sensorisk eller psykisk funktionsevner, eller manglende erfaring og viden, medmindre de er blevet vejledt eller instrueret i brugen af apparatet af en person med ansvar for deres sikkerhed. Børn skal være under opsyn for at sikre, at de ikke leger med apparatet

ADVARSEL Denne filterpumpe må ikke bruges til at suge poolen ren med. Og denne enhed kun beregnet til pools, der skal pakkes ned igen, og ikke til permanent byggede swimmingpools.

ADVARSEL Det er ikke muligt at skifte strømkablet til adapteren eller ledningen til stikket. Hvis strømkablet eller ledningen beskadiges, skal adapteren eller pumpen smides ud.

ADVARSEL Anbring ikke en 230V adapter i nærheden af poolen. Transformatoren og stikkontakten skal være mere end 3,5 meter væk fra poolen. Pumpen og adapteren må ikke monteres på steder, der kan blive oversvømmet (eller som ikke har en passende stikkontakt).

ADVARSEL Sørg for, at den udendørs-stikkontakten er beskyttet med en fejlstrømsafbryder (RCD), der har en nominel reststrøm på under 30 mA.

ADVARSEL Filterpumpen eller adapteren må ikke komme i kontakt med vand.

ADVARSEL Foden til filterpumpen skal først spændes fast til en solid overflade, inden du starter filterpumpen.

ADVARSEL Undgå at overophede motoren i filterpumpen. Sørg for, at pumpen altid kører med vand og aldrig uden vandet, når du bruger dette apparat. Forkert brug kan forårsage overophedning, som kan føre til motorsammenbrud og andre skader.

ADVARSEL Efterladende luft i pumpen, kan få den til at køre for hurtigt, hvilket kan ødelægge den. Drej forsigtigt på luftventilen (P1), indtil al luften i slangen og i filterhuset er løbet ud.

ADVARSEL: Dette apparat må kun bruges af børn fra 8 år og derover og personer med nedsatte fysiske, sensoriske eller mentale evner eller manglende erfaring og viden, hvis de er under opsyn eller er blevet undervist i hvordan apparatet bruges på en sikker måde og forstår farerne, der er involveret. Børn må ikke lege med

apparatet. Rengøring og vedligeholdelse må ikke udføres af børn uden opsyn.

ADVARSEL: Ledningen kan ikke udskiftes. Hvis ledningen bliver ødelagt, skal apparatet bortskaffes.

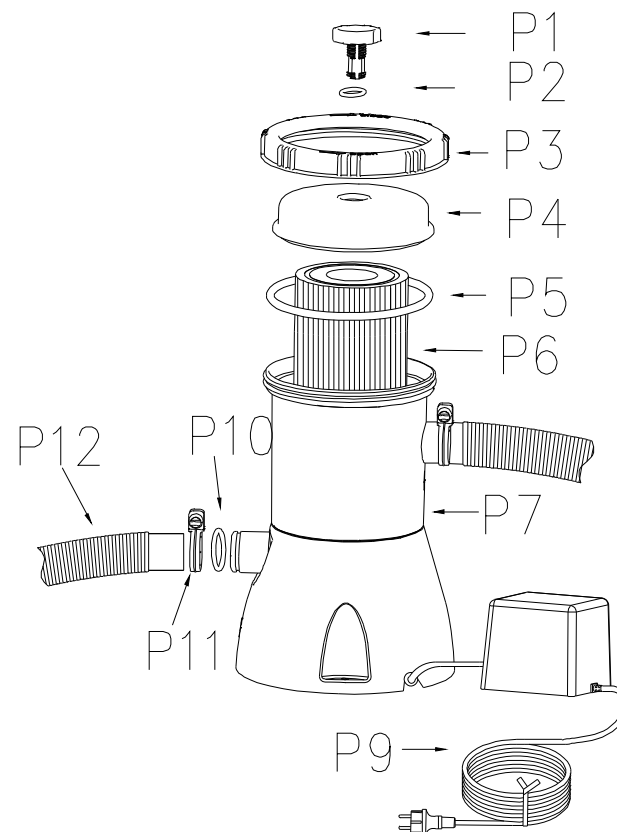
ADVARSEL: Pumpen må ikke bruges, hvis der er personer i vandet.

ADVARSEL: Pumpen skal strømforsynes via en fejlstrømsafbryder (RCD), hvis nominelle reststrøm ikke må være over 30mA.

ADVARSEL: Må højst være 0,9 under vandoverfladen (vedr. pumper med en nominel indgangseffekt på over 50W)

ADVARSEL: Skal installeres på mindst 2 meter fra poolen, og stikket skal være mindst 3,5 meter fra poolen. (Kun for Frankrig)

ADVARSEL: Pumpen skal fastgøres til jorden eller en piedestal med to $\Phi 5$ bolte eller skruer, så ingen falder over disse elementer (se efterfølgende billede).



Delnummer	Beskrivelse	ANTAL
P1	Dæksel til luftpumpe	1
P2	Dækselpakning til luftpumpe	1
P3	Dækselholder til filterkammer	1
P4	Dæksel til filterkammer	1
P5	Gummipakning til filterkammer	1
P6	Filterpatron	1
P7	Filterkammeret	1
P9	Strømkabel	1
P10	O-ring	2
P11	Slangeklemme	4
P12	Slangestik	2
P13	Filternet Kun til 300&530gal	2
P14	Stik Kun til 300&530gal	2

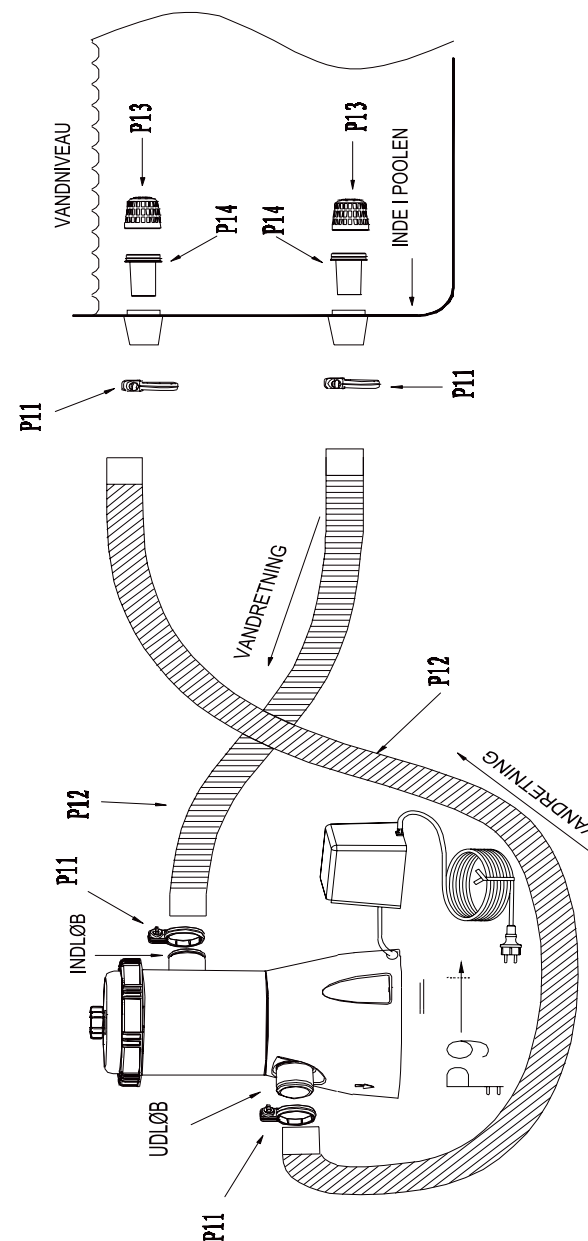
Installationsvejledning

Se billedet på side 6 & side 7 for reference.

1. Inden du installerer filterpumpen, skal du først stille poolen op og fylde den med vand. Følg installationsvejledningerne til poolen trin for trin. Filterpumpen må kun bruges, når poolen er fyldt helt op med vand. Hvis vandtrykket i pumpen er for lavt, kan motoren støje meget.
2. Tag filterpumpen og slangerne ud af emballagen.
3. Placer filterpumpen mellem 0,2 m og 1,0 m under vandet.
4. Bemærk: Filterpumpen skal monteres på en fast og plant overflade. Der er monteringshuller i pumpefoden, og du kan montere pumpen med skruer.
5. Sæt filterpatronen (P6) ind i filterkammeret (P7), og sørg for at filterpatronen (P6) sidder ordentlig i filterkammeret (P7).
6. Sæt gummipakningen (P5) på filterkammeret (P7).
7. Sæt dækselholderen (P3) på filterkammeret (P7).
8. Stram herefter filterholderen (P3) ved at dreje den med uret med fingrene.
9. Sæt slangen (P12) på indløbet på filterpumpen (for oven), og på den nederste slangeforbindelse i poolen. Fastgør slangen med spændebåndet (P11).
10. Drej forsigtigt luftventilen (P1) 1-2 gange mod uret.

11. Sæt den anden slange (P12) til den øvre slangeforbindelse i poolen, og til udløbet (for neden) på filterpumpen (se side 7). Fastgør slangen med spændebåndet.
12. Lydtryksniveauet er mindre end 82 dB (A).

INSTALLATIONSBILLEDER



BILLEDERNE ER IKKE I KORREKT BILLEDFORHOLD

Betjeningsinstruktioner

1. Sørg for, at poolen er fyldt med vand, og placer filterpumpen på et passende sted.
2. Når vand strømmer ind i filterpumpen, trykker vandtrykket luften inden i ud af dækslet (P1).
3. Stram derefter forsigtigt dækslet (P1), ved at dreje det med uret.
4. Slut strømkablet fra adapteren til en stikkontakt med 230V, så filterpumpen kan startes og vandet i poolen kan blive rent.

Generel vedligeholdelse

1. Afbryde strømmen til motoren, inden du begynder at arbejde på pumpen eller motoren.
2. Afhængigt af hvordan delene bruges, anbefales det at du har nogle reservedele klar, som f.eks. to filterpatroner.
3. Ingen regelmæssig smøring eller mekanisk vedligeholdelse er nødvendig.
4. Vask filterets yderside med en mildt sæbeblanding og vand, og skyl det efter med slangen.
5. Filteret må ikke rengøres med opløsningsmidler. Dette kan ødelægge plastkomponenterne i systemet.
6. Oprethold en pH-værdi på 7,0 til 7,4 i poolen.
7. Adapterens spænding er AC 230V.
8. Filterpumpen må ikke anbringes i højt græs, da dette kan få motoren til en overophede.
9. Når alt vandet er ude af poolen, fjernes alle slangerne fra poolen og fra filterpumpen.
10. Hæld vandet ud af huset på filterpumpen.
11. Opbevar alle filterdelene på et tørt sted med ventilation. Sørg for at alle dele er tørre, inden du gemmer dem væk.
12. Filterpumpen kan gemmes på et tørt sted, og det originale emballage kan bruges igen til næste sæson.

Rengøring og udskiftning

1. Sørg for, at strømkablet til 230V adapteren er trukket ud af stikkontakten.
2. Dækselholderen (P3) fjernes ved at dreje den mod uret. Placer den på et sikkert sted.
3. Rengør den brugte filterpatron (P6), eller skift den ud hvis nødvendigt.
4. Se indersiden af filterkammeret (P7) efter.

5. Hvis der er snavs eller sediment på bunden af huset, skal det skylles ren med f.eks. en spand vand eller en haveslange, så snavset kommer ud af.

6. Sæt dækselholderen (P3) på igen, og drej den med uret for at fastgøre den på filterhuset.

7. Slut strømkablet til adapteren.

Fejlfinding

PUMPEN VIRKER IKKE:

A. Kontroller alle sikringer, afbrydere, eller mulige afbrudte elektriske ledninger.

B. Kontroller motoren. Motoren slukker, hvis den er for varm eller bliver overbelastet. Lad motoren køle ned.

C. Kontakt en tekniker.

MOTOREN KØRER, MEN DEN PUMPER IKKE VAND ELLER VANDSTRØMMEN ER FOR LANGSOM:

A. Se om indløbsslangen er blokeret, eller om den har revet sig løs inde i poolen.

B. Spænd slangeklemmerne, tjek slangerne for skader, tjek vandstanden i poolen.

C. Rens filterpatronen mere regelmæssig. Genbrugelig og nem at rengøre, med f.eks. en haveslange.

D. Skift filterpatronen.

E. Kontakt en tekniker.

PUMPEN TABER TRYK

A. Sørg for, at vandstanden i poolen er mindst 5 cm over underkanten på halsen mens systemet ikke kører.

B. Sørg for, at der ikke er utætheder i indsugningssystemet.

C. Tjek om filterpatronen er beskidt, og trænger til at blive rensset. Genbrugelig og nem at rengøre, med f.eks. en haveslange.

D. Kontakt en tekniker.

FILTERET RENSER IKKE VANDET I POOLEN

A. Juster klor og pH-niveauet.

B. Rens eller skift filteret. Genbrugelig og nem at rengøre, med f.eks. en haveslange.

C. Se patronen efter for huller. Udskift hvis beskadiget.

D. Lad pumpen køre i længere tid.

E. Rengør poolens inderside for skidt og rester.

F. Kontakt en tekniker.

BEGRÆNSET GARANTI

VIGTIGE OPLYSNINGER - Læs venligst denne erklæring omhyggeligt, og behold altid din originale kvittering sammen med dette garantibevis. Din kvittering kræves som bevis for købet af poolen, og for at se hvor lang tid du har haft poolen.

Vi garanterer mod defekter i materiale og udførelse på alle komponenter, der findes i denne filterpumpe, under normal brug og service, i en periode på 365 dage fra købsdatoen, og kun for den oprindelige ejer. Hvis nogen af komponenterne er blevet udskiftet af bruger selv, blevet beskadiget eller misbrugt, bliver den tilsvarende garanti på disse komponenter ugyldig. I denne situation vil du blive rådgivet vedrørende udgifterne til reservedele og forløbsprocessen. Du bedes venligt registrere din garanti på www.jilong.com inden for 30 dage efter købet af dit produkt, så vi kan godkende din garanti.

Hvis der bliver fundet en kontrollerbar fabriktionsfejl i den relevante periode, reparerer eller udskifter vi, efter eget skøn, enhver pumpe under den garanti, mod fremlæggelse af et gyldigt købsbevis.

Denne begrænsede garanti er ikke gyldig, hvis poolen bruges til kommercielle formål, eller hvis skaden er forårsaget af en ulykke, som følge af naturkatastrofer, misbrug af brugeren, vanrøgt eller misbrugt, hærværk, forkert brug af kemikalier, udsættelse for ekstreme vejrforhold eller uagtsomhed under opstilling og nedtagning af poolen.

Vi kan ikke holdes ansvarlig for udgifterne til installation (herunder vand), arbejdskraft eller transportudgifter som følge af udskiftning af defekte dele. Denne begrænsede garanti dækker desuden ikke uautoriserede ændringer på poolsystemet.

SHANGHAI JILONG SPORT AND LEISURE PRODUCTS CO., LTD
2555 XiuPu Road, Pudong Area, Shanghai, China.

www.JLeisure-Global.com

JIANGSU JILONG SPORT AND LEISURE PRODUCTS CO., LTD
NO.1 Industrial Area South Zhongchen Road Zhongyang Town, Suqian, Jiangsu, China

Korrekt bortskaffelse af produktet:

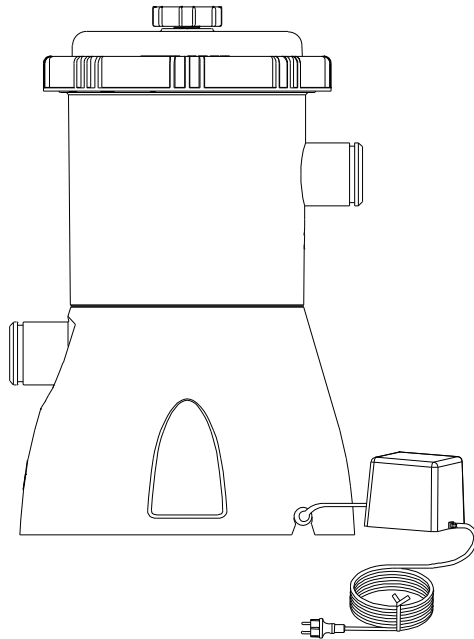


Dette mærkat angiver, at produktet ikke må bortskaffes sammen med almindeligt husholdningsaffald i hele EU. For at undgå eventuel skade på miljøet eller menneskers sundhed fra ukontrolleret bortskaffelse af affald, skal dette produkt genbruges på ansvarlig vis, for at fremme bæredygtig genbrug af materielle ressourcer. For at returnere din brugte enhed, skal du bruge retur- og indsamlingssystemerne i dit område, eller kontakt forhandleren, hvor du købte produktet. De kan sørge for at dette produkt genbruges på en miljøvenlig måde.

avenli

PODRECZNIK UŻYTKOWNIKA POMPY Z FILTREM WYSOKIEJ SKUTECZNOŚCI CZYSZCZENIA

29P414DE/29P415DE/29P416DE/29P417DE



**Uwaga: Przed instalacją pompy z filtrem należy
przeczytać wszystkie instrukcje.**

SPIS TREŚCI

Instrukcja	2-3
Instrukcje bezpieczeństwa	3-5
Lista części i ilustracje	5-6
Instrukcje instalacji	6
Ilustracje instalacji	7
Instrukcje działania	8
Ogólne zasady konserwacji	8
Czyszczenie i wymiana	8
Instrukcja rozwiązywania problemów.....	9-10
Ograniczona gwarancja.....	10

Instrukcja

Dziękujemy za zakupienie naszej pompy z filtrem. Jesteśmy przekonani, że instalacja i efektywne używanie będą proste.

Ten system pompy z filtrem został wyprodukowany z zachowaniem najwyższych standardów jakości i zapewni wiele sezonów korzystania z czystej, kryształowej wody w nowym basenie szybkiego montażu, basenie z okrągłą stalową ramą, basenie ze owalną ramą stalową i basenie z prostokątną ramą stalową. To jest pompa z filtrem Jilong wyprodukowana z gwarancją najwyższej jakości, która łączy doskonałej jakości filtrowanie i następujące funkcje:

Przeznaczona do wymienionych powyżej basenów ustawianych na gruncie

Wysoki przepływ wody przez filtr
Łatwa instalacja i konserwacja
Niski koszt konserwacji i działania
Oferuje ciche i wysokiej jakości działanie
Wysokiej jakości konstrukcja z certyfikatem
Niezawodny, odporny na korozję, wzmocniony materiał
Eleganckie i ładne wzornictwo
Mniejsze wymiary do łatwego przechowywania zimą
Pompa z filtrem z certyfikatem UL i GS
Bezpieczniejsza do pływania i dla środowiska

Podręcznik systemu pompy z filtrem udostępnia łatwe instrukcje, wymagane do efektywnej instalacji i używania tego nowoczesnego systemu pompy z filtrem.

Oprócz instrukcji instalacji i zaleceń dotyczących używania, dołączono także kilka bardzo ważnych ostrzeżeń i ostrzeżeń, które zapewniają bezpieczne używanie i korzystanie z nowego systemu pompy z filtrem. Jest bardzo ważne, aby znaleźć czas na przeczytanie wszystkich dokumentów i udostępnić je wszystkim osobom, które będą korzystały z basenu.

Przed użyciem należy się upewnić, że zostały przeczytane i zrozumiane informacje znajdujące się w tym podręczniku.

Instrukcje bezpieczeństwa

W czasie instalacji i używania tego urządzenia elektrycznego, należy się zastosować do wymienionych poniżej ważnych punktów i środków ostrożności:

OSTRZEŻENIE Przed uruchomieniem pompy, należy sprawdzić wszystkie zaciski i akcesoria systemu.

OSTRZEŻENIE Nie należy zakopywać przewodu zasilającego adaptera. Przewód zasilający adaptera należy umieścić w takim miejscu, gdzie nie zostanie uszkodzony przez kosiarkę do trawników, nożyce do żywopłotu i inne urządzenia.

OSTRZEŻENIE To urządzenie nie jest przeznaczone do używania przez osoby (włącznie z dziećmi) o zmniejszonej sprawności fizycznej, psychicznej i zdolności odczuwania lub przez osoby bez doświadczenia i wiedzy, jeśli nie będą one pod nadzorem lub nie zostaną im udzielone instrukcje dotyczące używania urządzenia, przez osobę odpowiedzialną za ich bezpieczeństwo. Aby zapobiec traktowaniu tego urządzenia jako zabawki, dzieci

powinny być pod nadzorem

OSTRZEŻENIE Nie należy używać tej pompy z filtrem do odkurzania basenu. To urządzenie jest przeznaczone wyłącznie do basenu demontowanego, a nie do zainstalowanego na stałe.

OSTRZEŻENIE Przewodu zasilającego adaptera i przewodu wejścia pompy nie można zamieniać. Jeśli przewód zasilający lub przewód wejścia zostanie uszkodzony, adapter lub pompa będą bezużyteczne

OSTRZEŻENIE Nie należy umieszczać adaptera 230 V w pobliżu basenu.

Transformator i gniazdo zasilania powinny znajdować się nie dalej niż 3,5m od basenu. Pompy i adaptera nie należy instalować w miejscach, które mogą być zalewane (i gdzie nie ma odpowiedniego gniazda zasilania).

OSTRZEŻENIE Należy się upewnić, że gniazdo zasilania jest zabezpieczone wyłącznikiem różnicowoprądowym (RCD) o wartości znamionowej prądu nie przekraczającej 30 mA.

OSTRZEŻENIE Nie należy wkładać pompy z filtrem lub adaptera do wody.

OSTRZEŻENIE Przed uruchomieniem pompy z filtrem w celu zamocowania należy przykręcić podstawę filtra śrubami do trwałej powierzchni.

OSTRZEŻENIE Należy unikać przegrzania silnika pompy z filtrem. Należy się upewnić, że pompa jest uruchamiana z wodą i nigdy nie opróżniać jej z wody podczas używania. Nieprawidłowe używanie powodujące przegrzanie, może spalić i uszkodzić silnik.

OSTRZEŻENIE Pozostałe powietrze może spowodować przyspieszone obroty pompy i uszkodzenie pompy z filtrem. Należy delikatnie obrócić zawór odpowietrzania (P1), aby usunąć pozostałe powietrze z węża i obudowy filtra.

OSTRZEŻENIE: To urządzenie może być używane przez dzieci w wieku od 8 lat i starsze oraz przez osoby o zmniejszonej sprawności fizycznej, zdolności czuciowej lub umysłowej albo przez osoby o braku doświadczenia i wiedzy, jeśli będą one pod nadzorem lub zostaną im udzielone instrukcje dotyczące używania urządzenia w bezpieczny sposób i gdy zrozumieją zagrożenia. Dzieci nie powinny używać tego urządzenia do zabawy. Czyszczenie i konserwacja użytkownika nie powinny być wykonywane przez dzieci bez nadzoru.

OSTRZEŻENIE: Przewodu zasilającego nie należy wymieniać, po uszkodzeniu przewodu, należy usunąć urządzenie.

OSTRZEŻENIE: Pompy nie należy używać, gdy w wodzie znajdują się ludzie.

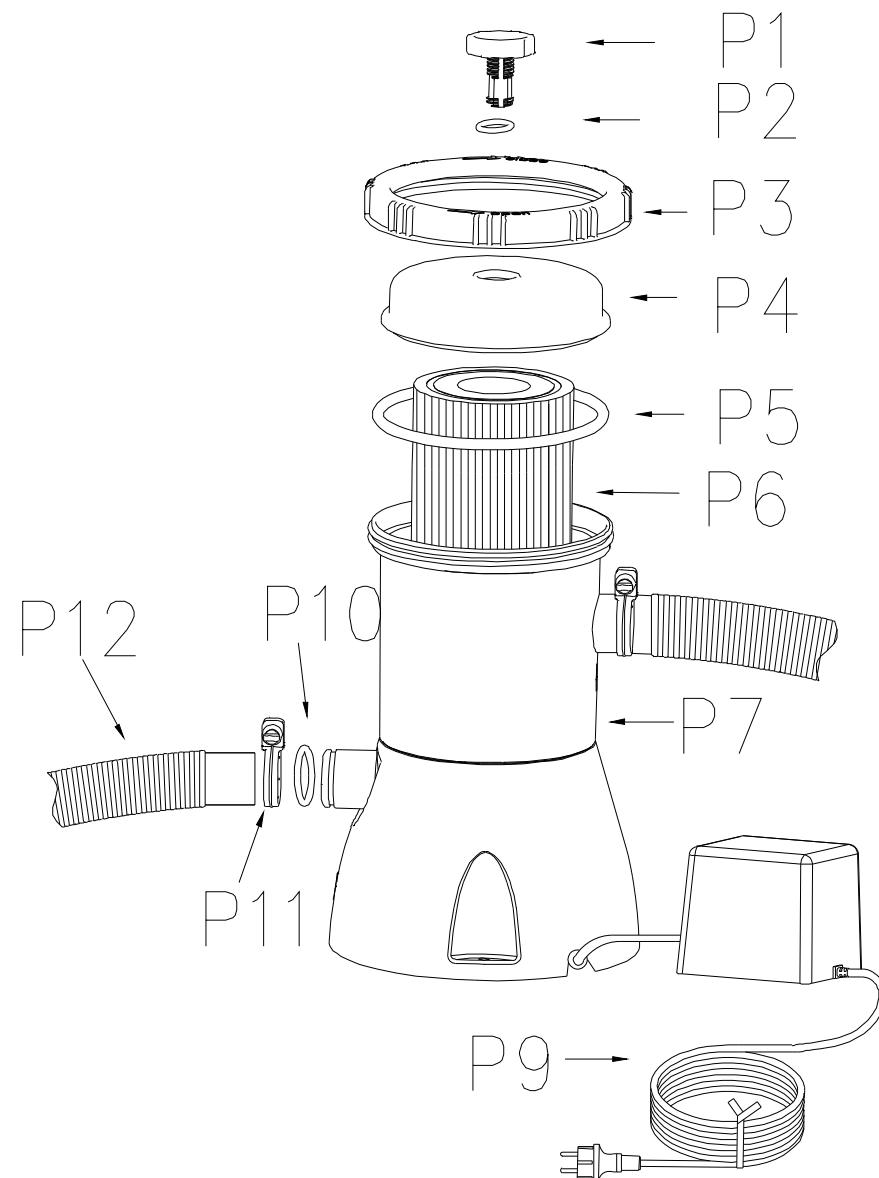
OSTRZEŻENIE: Pompa powinna być zasilana przez wyłącznik różnicowoprądowy (RCD) o wartości prądu znamionowego nie przekraczającej 30mA.

OSTRZEŻENIE: Maksymalna łączna wysokość podnoszenia 0,9 w metrach (dla pomp

o mocy znamionowej przekraczającej 50W)

OSTRZEŻENIE: Może być zainstalowane w odległości co najmniej 2m od basenu, a wtyczka powinna być zlokalizowana w odległości 3,5m od basenu. (Tylko na rynek francuski).

OSTRZEŻENIE: Aby zapobiec przypadkowemu upadkowi (patrz następna ilustracja), pompa musi być zamocowana na gruncie lub na określonym postumencie dwiema śrubami $\Phi 5$ lub wkrętami.



Nr elementu	Opis	IL.
P1	Pokrywa usuwania powietrza	1
P2	Uszczelka pokrywy czyszczenia powietrza	1
P3	Element ustalający pokrywy komory filtra	1
P4	Pokrywa komory filtra	1
P5	Gumowa uszczelka komory filtra	1
P6	Wkład filtra	1
P7	Komora filtra	1
P9	Kabel zasilający	1
P10	Pierścień uszczelniający o przekroju okrągłym	2
P11	Zacisk węży	4
P12	Wąż połączenia	2
P13	Siatka filtra Wyłącznie dla pojemności 300 i 530 galonów	2
P14	Złącze Wyłącznie dla pojemności 300 i 530 galonów	2

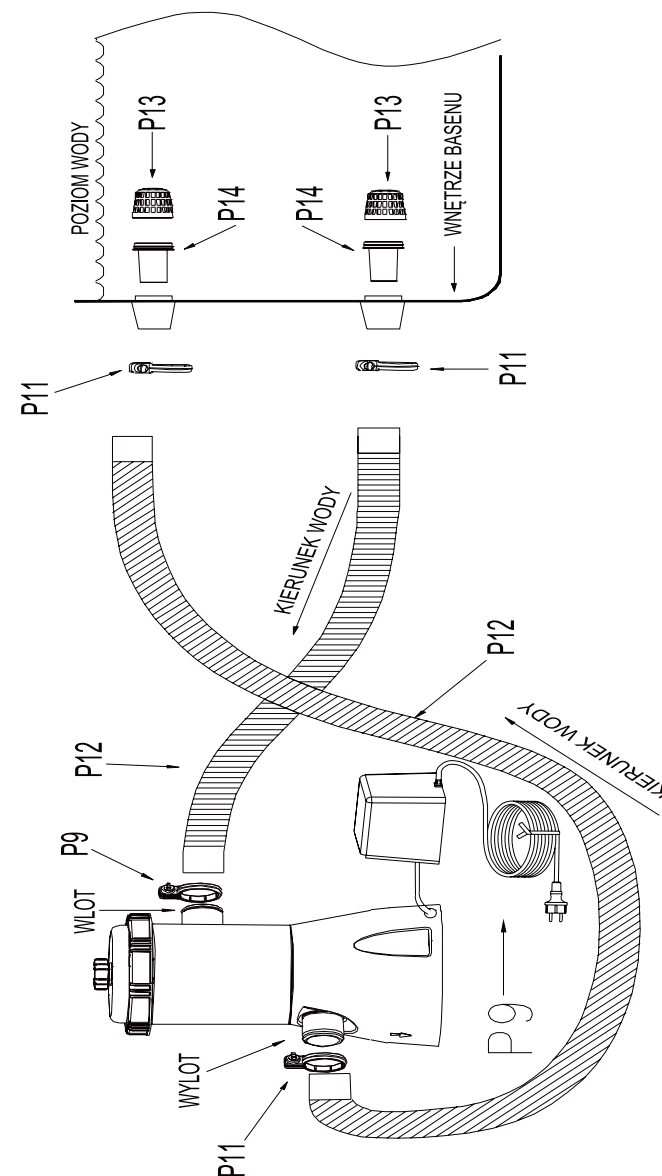
Instrukcje instalacji

Dla celów odniesienia, sprawdź diagram na stronie 6 i stronie 7.

1. Przed instalacją pompy z filtrem, należy najpierw zainstalować basen i napełnić go wodą, wykonując instrukcje instalacji basenu krok po kroku. Pompę z filtrem należy używać wyłącznie po napełnieniu basenu do maksymalnego poziomu. Niskie ciśnienie wody, może spowodować hałaśliwy dźwięk silnika.
2. Wyjmij pompę z filtrem i węże z opakowania.
3. Pompę z filtrem należy umieścić co najmniej 0,2 m poniżej i nie wyżej niż 1,0 m w odniesieniu do poziomu wody w basenie.
4. Uwaga: Pompę z filtrem należy zamontować na trwałym i równym podłożu. Na podstawie pompy znajdują się otwory montażowe, przez które pompę można przykręcić śrubami.
5. Włóż wkład filtra (P6) do komory filtra (P7) i upewnij się, że wkład filtra (P6) znajduje się w komorze filtra (P7).
6. Włóż gumową uszczelkę komory filtra (P5) do komory filtra (P7).
7. Włóż element ustalający pokrywy komory filtra (P3) do komory filtra (P7).
8. Następnie dokręć ręką element ustalający pokrywy filtra (P3) w kierunku ruchu wskazówek zegara.
9. Podłącz jeden koniec węży (P12) do złącza wlotu pompy filtra (górne) i dolnego złącza węży basenu. Zamocuj wąż zaciskami węży (P11).

10. Delikatnie obróć zawór odpowietrzający (P1) w kierunku przeciwnym do ruchu wskazówek zegara o 1-2 obroty.
11. Podłącz 2-gi wąż (P12) do górnego złącza węży basenu i złącza wylotu (dolne) pompy z filtrem (patrz strona 7). Zamocuj wąż zaciskami węży.
12. Poziom natężenia dźwięku nie przekracza 82 dB (A).

ILUSTRACJA INSTALACJI



ILUSTRACJA NIE PRZEDSTAWIA PRODUKTU W SKALI

Instrukcje działania

1. Upewnij się, że basen został już napełniony wodą i umieść pompę z filtrem w odpowiedniej pozycji.
2. Po wejściu wody do pompy z filtrem, ciśnienie wody wyprzeć znajdujące się wewnątrz powietrze, poprzez pokrywę usuwania powietrza (P1).
3. Następnie delikatnie obróć pokrywę usuwania powietrza (P1) w kierunku zgodnym z ruchem wskazówek zegara.
4. Podłącz przewód zasilający adaptera do gniazda prądu zmiennego 230V w celu uruchomienia pompy z filtrem, aż do uzyskania odpowiedniej czystości wody.

Ogólne zasady konserwacji

1. Przed uruchomieniem pompy lub silnika należy odłączyć zasilanie silnika.
2. W zależności od zużycia części, należy zaopatrzyć się w części zapasowe, zdecydowanie zaleca się trzymanie w zapasie dwóch wkładów filtra.
3. Nie jest wymagane smarowanie lub regularna konserwacja mechaniczna.
4. Filtr należy umyć łagodnym detergentem i wodą, przepłukując wężem.
5. Do czyszczenia filtra nie należy używać rozpuszczalników; mogą one uszkodzić plastikowe komponenty systemu.
6. Należy utrzymać pH wody w basenie na poziomie 7,0 do 7,4.
7. Napięcie adaptera prądu zmiennego wynosi 230V.
8. Nie należy umieszczać pompy z filtrem w wysokiej trawie, może to spowodować przegrzanie silnika.
9. Po całkowitym opróżnieniu basenu z wody, odłącz od basenu wszystkie węże i pompę z filtrem.
10. Opróżnij wodę ze wszystkich węży pompy z filtrem.
11. Wszystkie elementy filtra należy przechowywać w suchym, wentylowanym miejscu. Przed przechowywaniem, wszystkie części należy wysuszyć.
12. Pompę z filtrem należy przechowywać w suchym miejscu i wykorzystać do przechowania do następnego sezonu, oryginalny karton opakowania.

Czyszczenie i wymiana

1. Upewnij się, że jest odłączony od gniazda zasilania, przewód zasilający adaptera zasilania 230 V.
2. W kierunku przeciwnym do ruchu wskazówek zegara w celu odłączenia elementu ustalającego pokrywę komory filtra (P3). Umieść ją w bezpiecznym miejscu.
3. Oczyszczyć wkład filtra (P6) lub w razie potrzeby wymienić go.
4. Sprawdź wnętrze komory filtra (P7).
5. Jeśli na dole obudowy zbierze się brud lub osad, to obudowę należy przepłukać strumieniem wody węża ogrodowego, aby usunąć z obudowy osad lub brud.
6. Przywróć element ustalający pokrywę komory filtra (P3) do jego pozycji i obróć w

kierunku ruchu wskazówek zegara, aby zamocować ją do obudowy filtra.

7. Podłącz ponownie przewód zasilający adaptera.

Instrukcja rozwiązywania problemów

POMPA NIE DZIAŁA:

- A. Sprawdź, czy nie zostały przepalone zabezpieczniki, rozłączone przerywacze obwodu lub rozłączone kable prądu elektrycznego.
- B. Sprawdź silnik. Jeśli silnik jest zbyt gorący lub wyłącza się z powodu przeciążenia. Zaczekaj na schłodzenie silnika.
- C. Skonsultuj się z ekspertem.

SILNIK DZIAŁA, ALE NIE POMPUJE WODY LUB PRZEPŁYW WODY JEST ZA WOLNY:

- A. Sprawdź niedrożność węża wlotowego lub węża odprowadzania wody wewnątrz basenu.
- B. Dokręć zaciski węża, sprawdź uszkodzenie węża, sprawdź poziom wody w basenie.
- C. Czyść częściej wkład filtra. Wkład można używać ponownie, tj. po jego oczyszczeniu wężem ogrodowym.
- D. Wymień wkład filtra.
- E. Skonsultuj się z ekspertem.

BRAK SSANIA POMPY

- A. Upewnij się, że poziom wody w basenie jest co najmniej 5 cm powyżej wlotu skimmera, przy nie działającym systemie.
- B. Upewnij się, że nie ma przecieków węża ssania.
- C. Sprawdź, czy wkład filtra jest brudny i wymaga oczyszczenia. Wkład można używać ponownie, tj. po jego oczyszczeniu wężem ogrodowym.
- D. Skonsultuj się z ekspertem.

FILTR NIE OCZYSZCZA WODY W BASENIE

- A. Wyreguluj poziom chloru i poziom pH.
- B. Oczyszczyć lub wymienić wkład z filtrem. Wkład można używać ponownie, tj. po jego oczyszczeniu wężem ogrodowym.
- C. Sprawdź, czy we wkładzie nie ma otworów. Wymień jeśli jest uszkodzony.
- D. Pozwól na dłuższe działanie pompy.
- E. Usuń zanieczyszczenia z sitka na ścianie basenu.
- F. Skonsultuj się z ekspertem.

OGRANICZONA GWARANCJA

UWAGA KLIENCI – Należy uważnie przeczytać to oświadczenie i zachować oryginalny dowód zakupu oraz gwarancję. Dowód zakupu jest wymagany do sprawdzenia czasu posiadania basenu.

Gwarantujemy, że wszystkie komponenty tej pompy z filtrem, będą wolne od wad materiałowych i defektów produkcji, przy normalnym użytkowaniu i serwisowaniu, przez 365 dni od daty zakupu, określonej na dokumencie oryginalnego posiadacza. W przypadku wymiany jakichkolwiek komponentów przez klienta, ich uszkodzenia lub nieprawidłowego używania, gwarancja na te komponenty zostanie unieważniona. W takiej sytuacji, zostanie przedstawiony użytkownikowi koszt części wymiennych i instrukcji postępowania. Gwarancję należy zarejestrować w ciągu 30 dni od daty zakupu pod adresem www.jilong.com, aby nadać jej ważność.

Jeśli w okresie gwarancji wykryty zostanie możliwy do sprawdzenia defekt, zgadzamy się na wykonanie naprawy lub wymiany dowolnej pompy na podstawie gwarancji, jeśli przedstawiony zostanie prawidłowy dowód zakupu.

Ta ograniczona gwarancja zostanie unieważniona, jeśli basen będzie używany do celów komercyjnych lub jeśli uszkodzenie zostało spowodowane przez wypadek, w wyniku działania sił natury, nieprawidłowego używania przez użytkownika, zaniedbania lub nadużycia, wandalizmu, nieprawidłowego używania środków chemicznych, wystawienia na ekstremalne warunki pogodowe lub zaniedbania podczas montażu lub demontażu basenu.

Nie odpowiadamy za koszty instalacji (włącznie z napełnianiem wodą), robocizny lub transportu spowodowanych wymianą uszkodzonych części. Co więcej, ta ograniczona gwarancja nie obejmuje żadnych nieautoryzowanych zmian basenu.

SHANGHAI JILONG SPORT AND LEISURE PRODUCTS CO., LTD

2555 XiuPu Road, Pudong Area, Shanghai, China.

www.JLeisure-Global.com

JIANGSU JILONG SPORT AND LEISURE PRODUCTS CO., LTD

NO.1 Industrial Area South Zhongchen Road Zhongyang Town, Suqian, Jiangsu, China

Prawidłowe usuwanie tego produktu

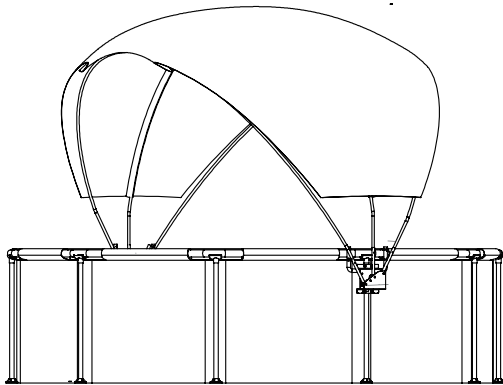
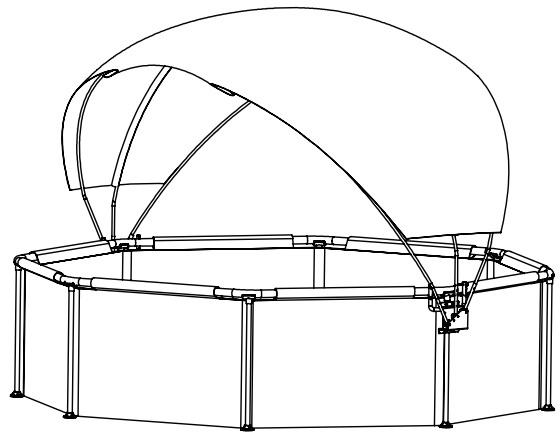
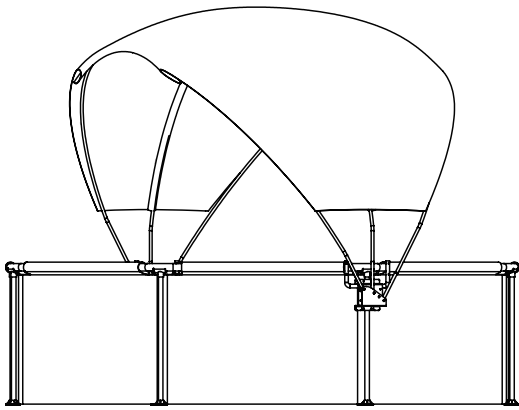


To oznaczenie wskazuje, że w krajach UE tego produktu nie należy usuwać wraz z odpadami domowymi. Aby zapobiec szkodliwemu wpływowi na środowisko lub zdrowie ludzi w wyniku niekontrolowanego usuwania, należy go odpowiedzialnie poddać recyklingowi, aby promować odnawialne, ponowne używanie zasobów materiałowych. Aby zwrócić zużyte urządzenie, należy skorzystać z systemów zwrotu i zbiórki lub skontaktować się ze sprzedawcą w miejscu zakupu produktu. Mogą oni przekazać produkt do recyklingu w sposób bezpieczny dla środowiska naturalnego.

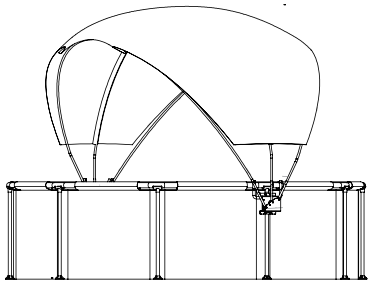
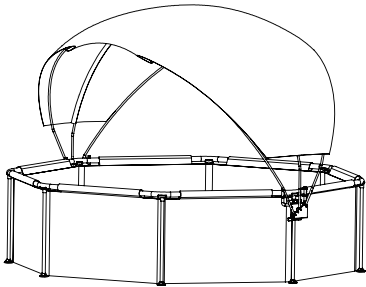
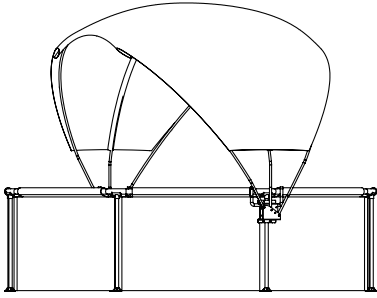


Pool Canopy

EXIT Pool Canopy $\varnothing 244/\varnothing 300/\varnothing 360$

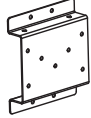



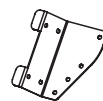
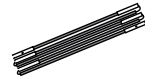









EXIT Pool Canopy $\varnothing 244 / \varnothing 300 / \varnothing 360$



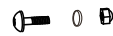








Pool Canopy

EXIT Pool Canopy ø244/ø300/ø350

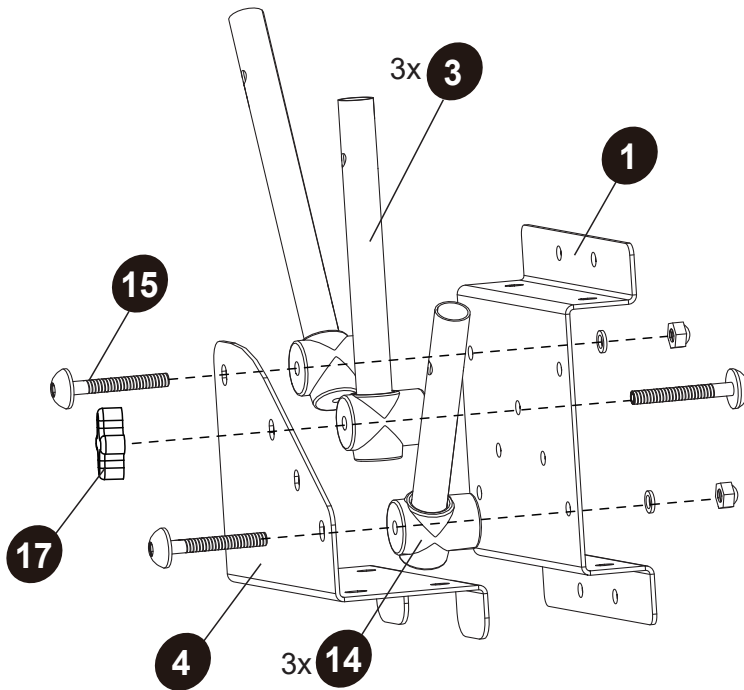
- 1  2X PD1000
- 2  4X PD1036
- 3  6X PD1055
- 4  1X PD1012
- 5  1X PD1014
- 6  *4100mm
**4800mm
***5760mm
3X PD1085*
PD1087**
PD1089***
- 7  1X PD1086*
PD1088**
PD1101***

- 8  *8/**10ft 2.4M
***12ft 2.9M
*2X PD1077
4X PD1117*
***4X
- 9  1.2M
*1X PD1078
**2X
***2X
- 10  0.24M
*2X PD1079
**4X
***4X
- 11  0.6M
*2X PD1080
**4X
***4X
- 12  2X PD1081
- 13  *2X PD1114
**4X PD1914*
***4X PD1912

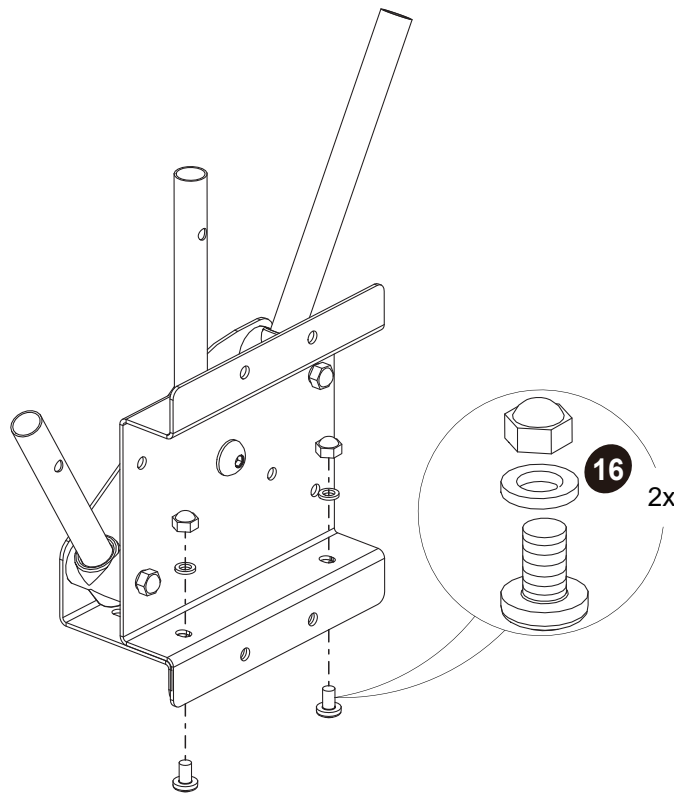
- 14  6X PD1057
- 15  M6xL50mm
6X PD1116
- 16  4X PD1083
- 17  2X PD1084
- 18  M6XR25
4X PD1030
- 19  M6XR30
4X PD1115
- 20  M6X30mm
4X PD1033
- 21  1X TOOLS
- 22  M6xL85mm
6X PD1082
PD1915

- * Swimming Pool Canopy 8ft
- ** Swimming Pool Canopy 10ft
- *** Swimming Pool Canopy 12ft

1



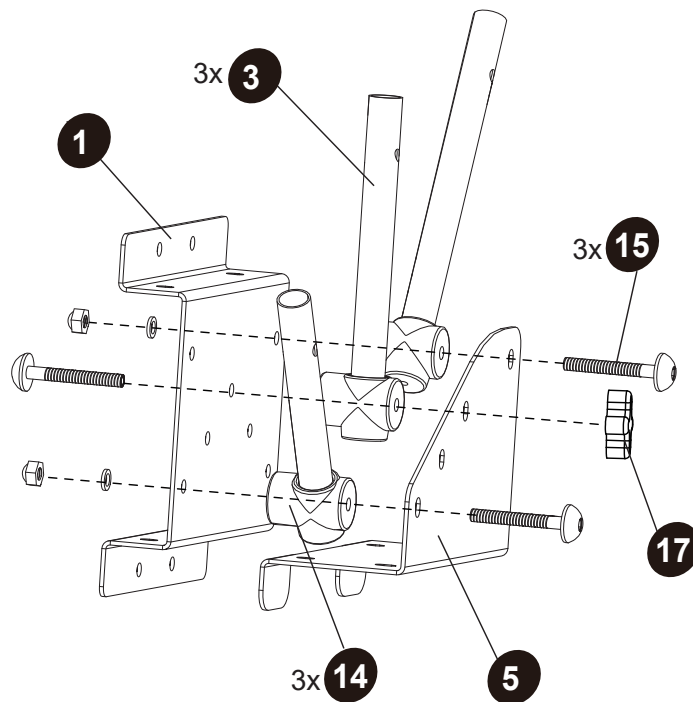
2



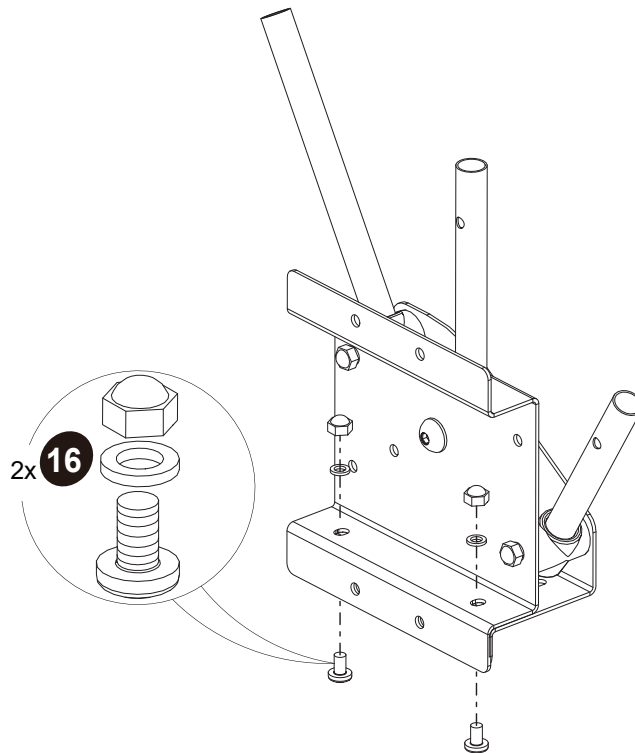
Pool Canopy

EXIT Pool Canopy ø244/ø300/ø360

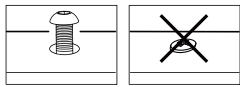
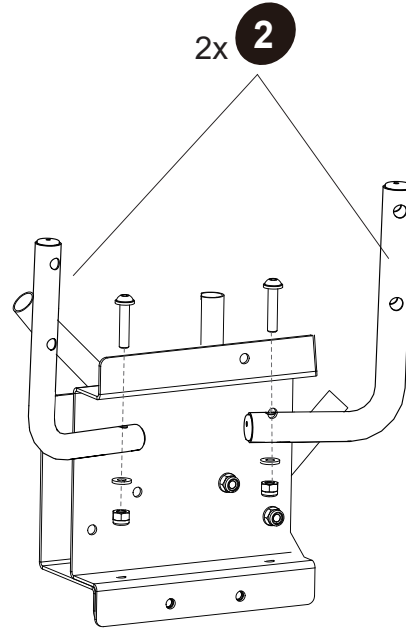
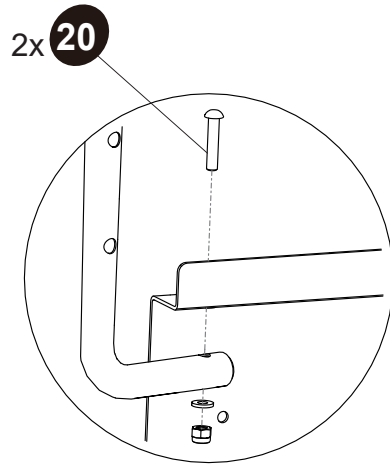
3



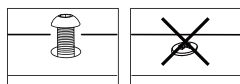
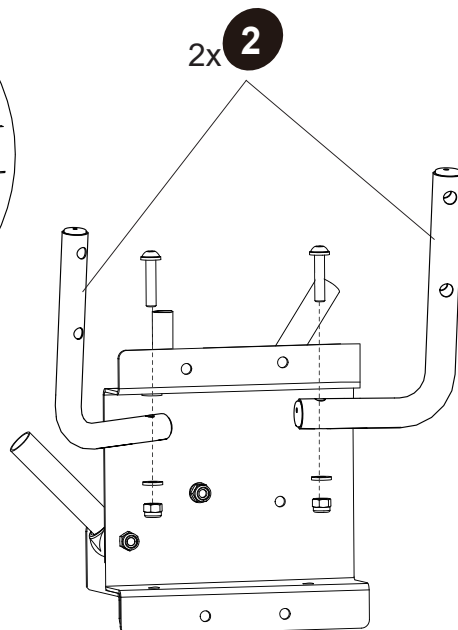
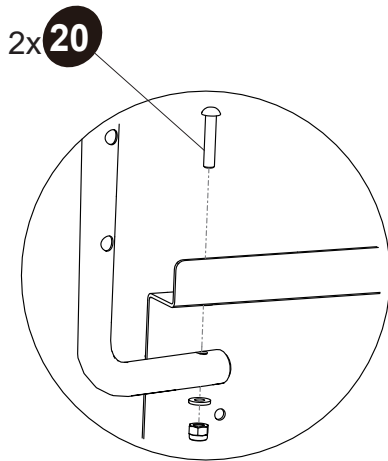
4



5



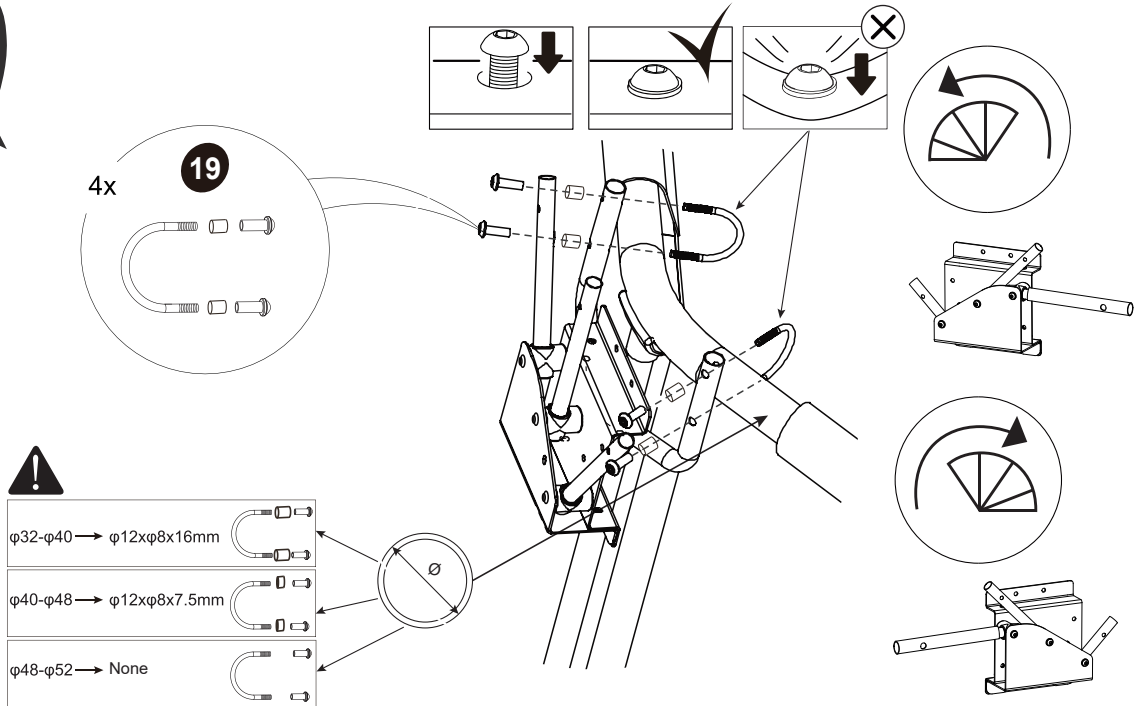
6



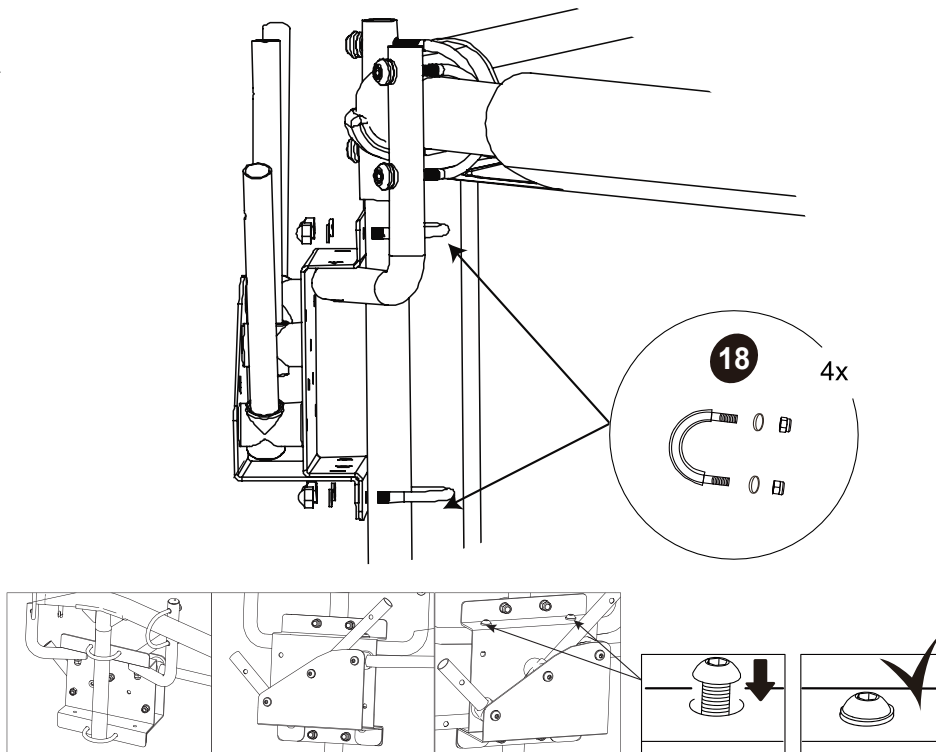
Pool Canopy

EXIT Pool Canopy ø244/ø300/ø350

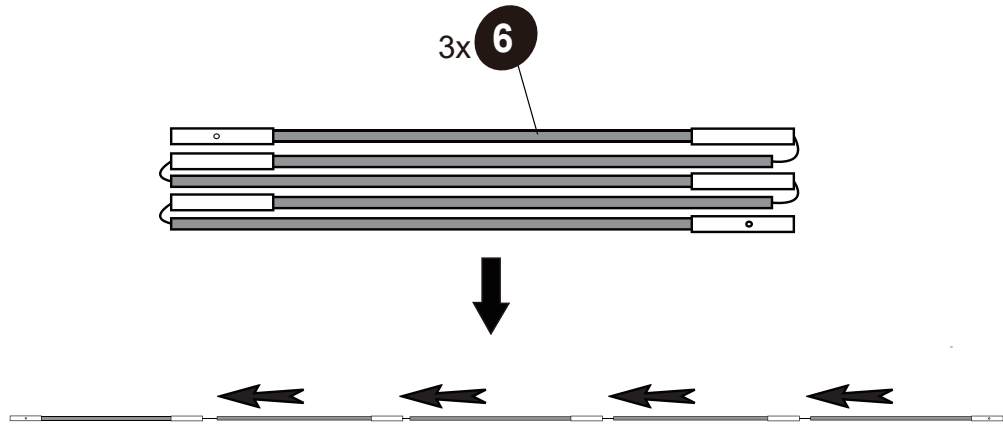
7



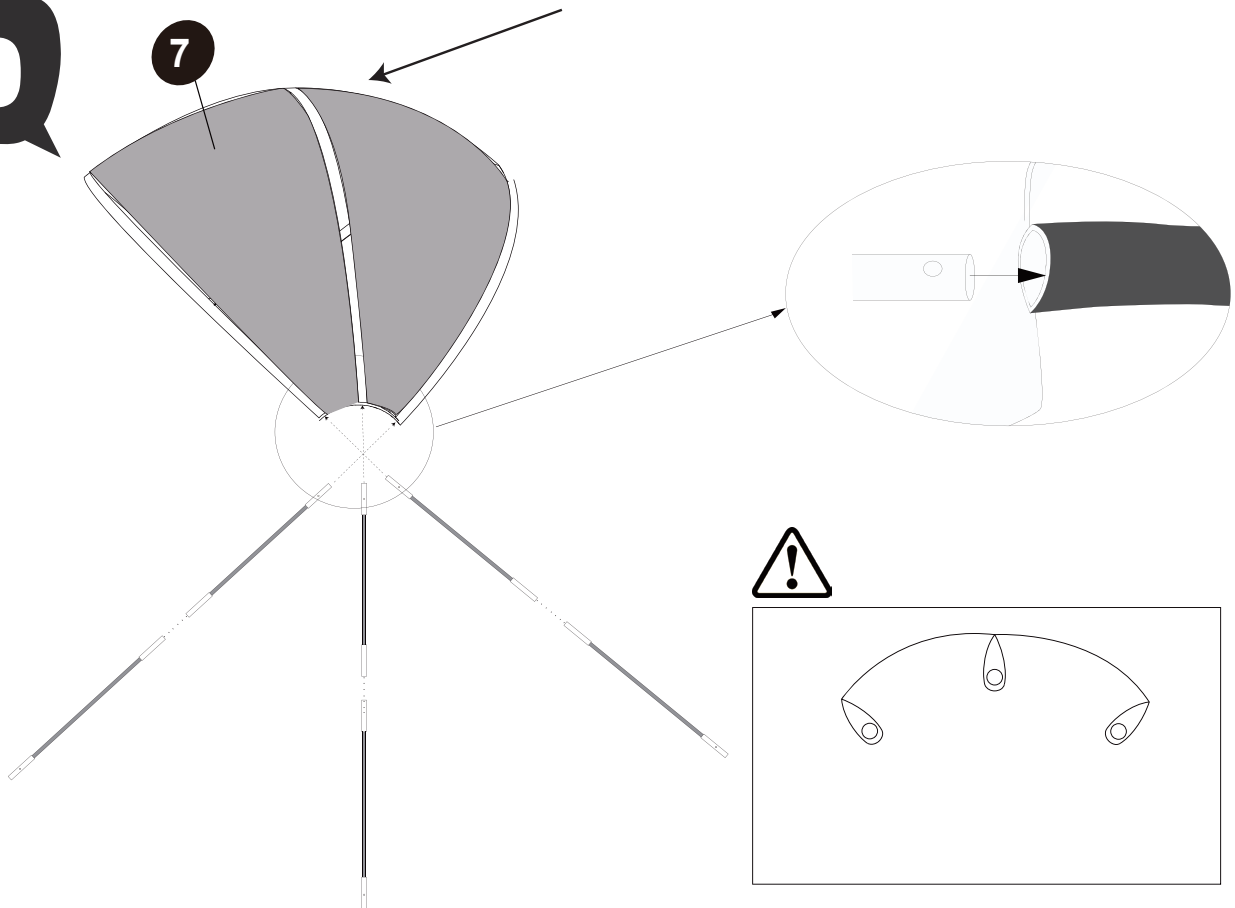
8



9



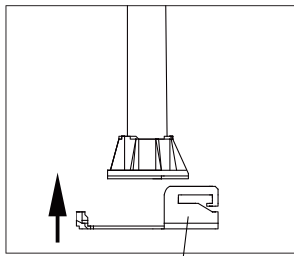
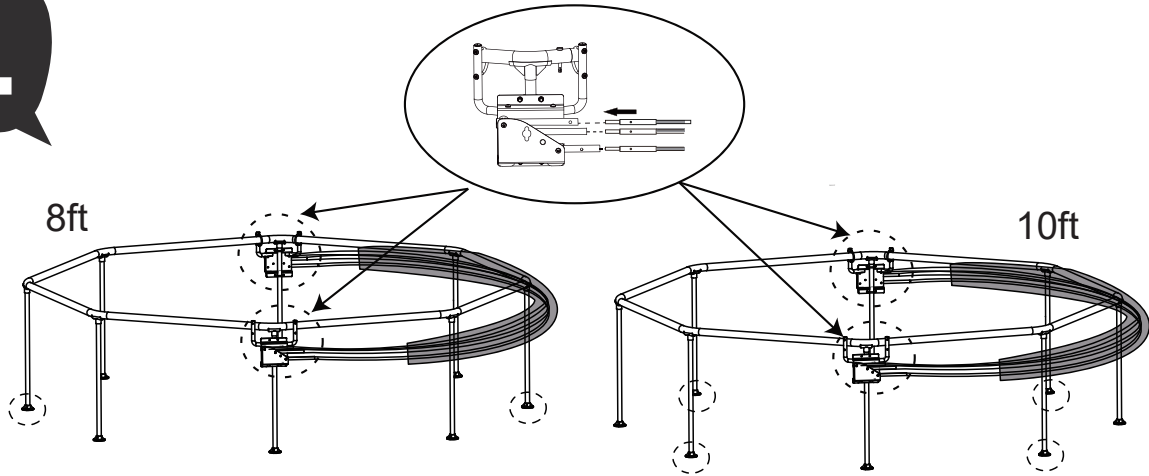
10



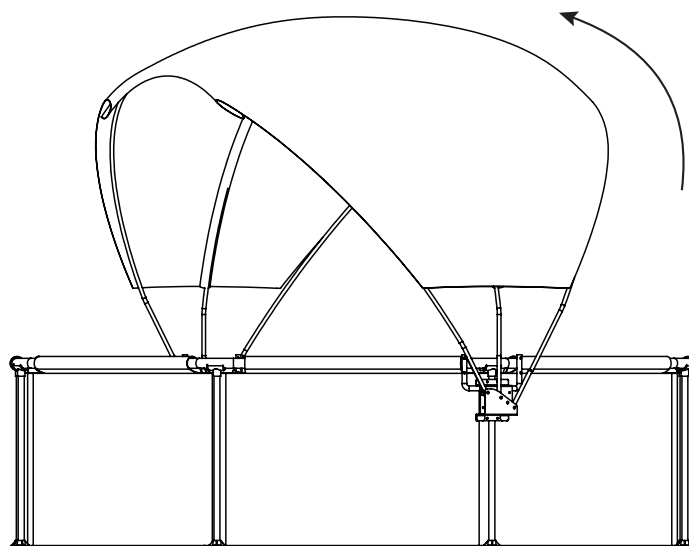
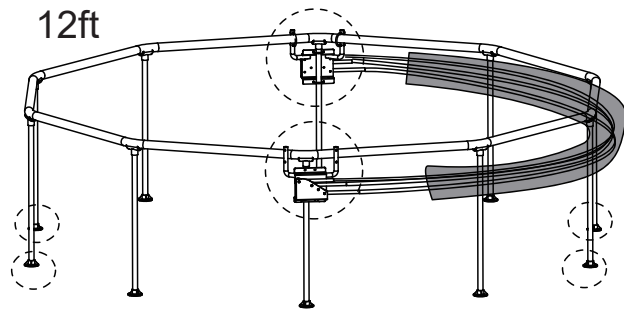
Pool Canopy

EXIT Pool Canopy ø244/ø300/ø360

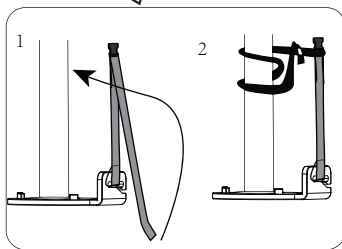
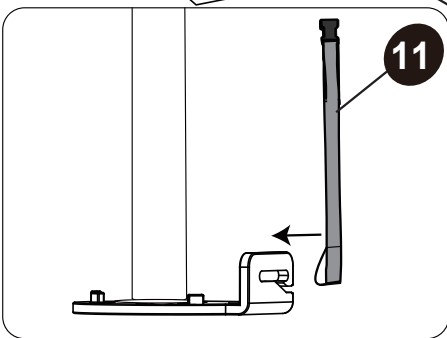
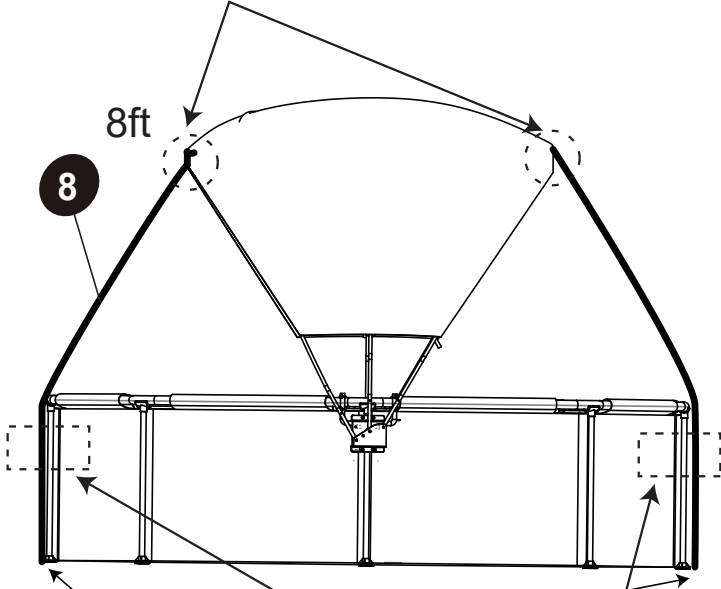
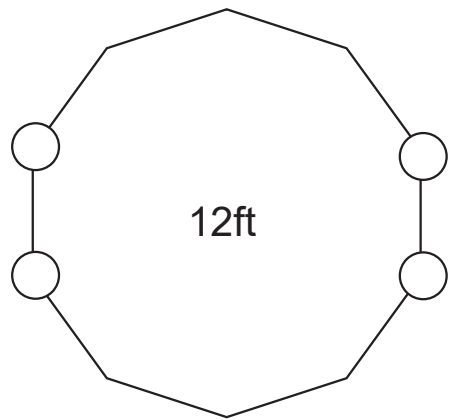
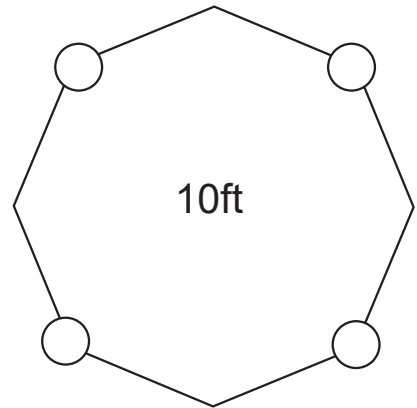
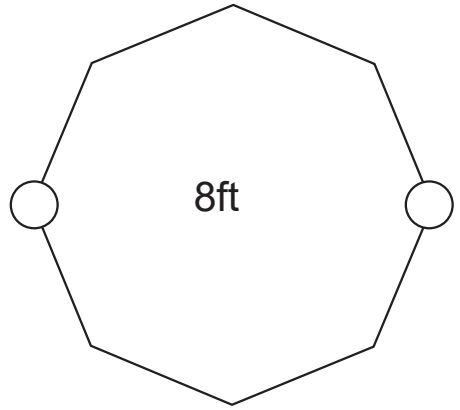
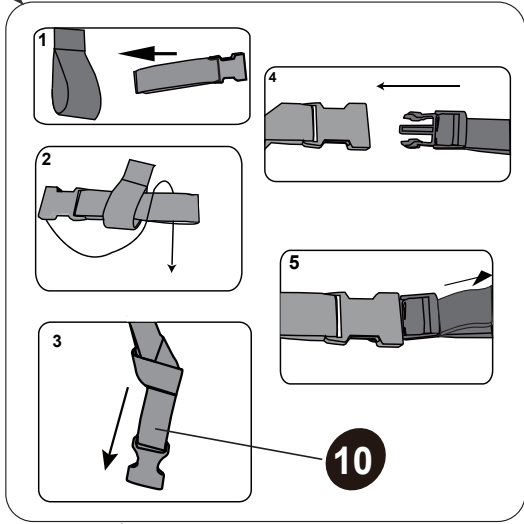
11



8ft	2x	13
10ft/12ft	4x	13



12

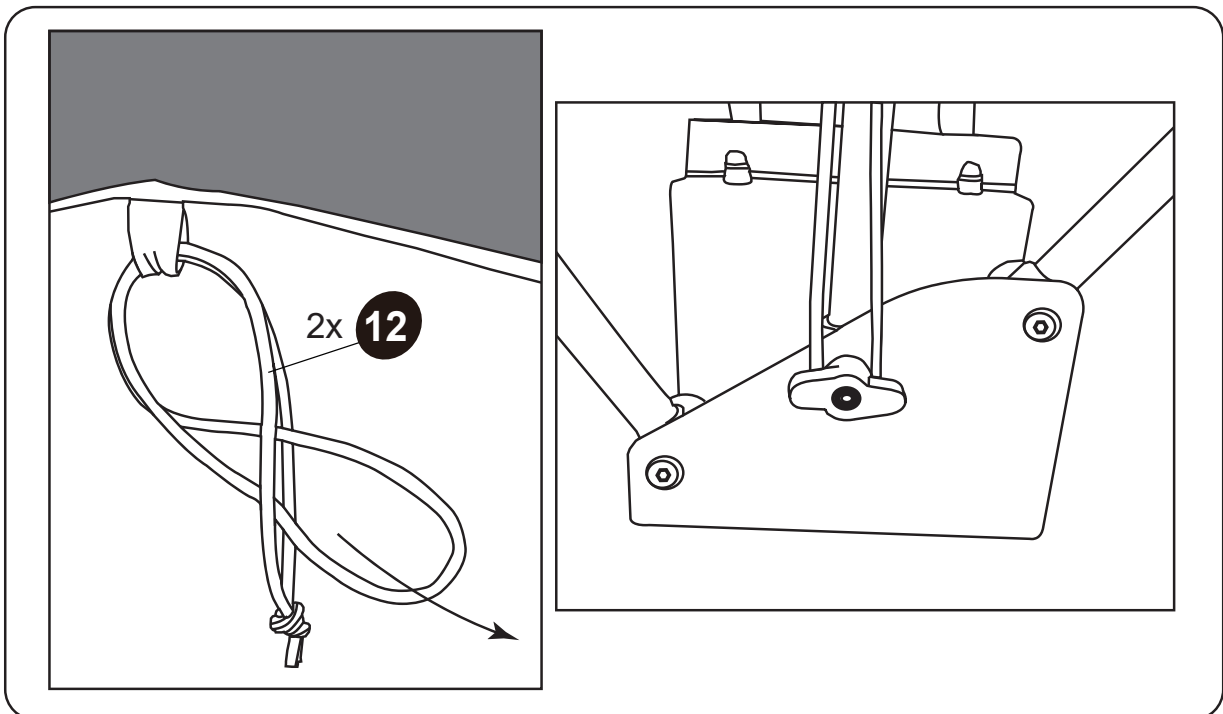
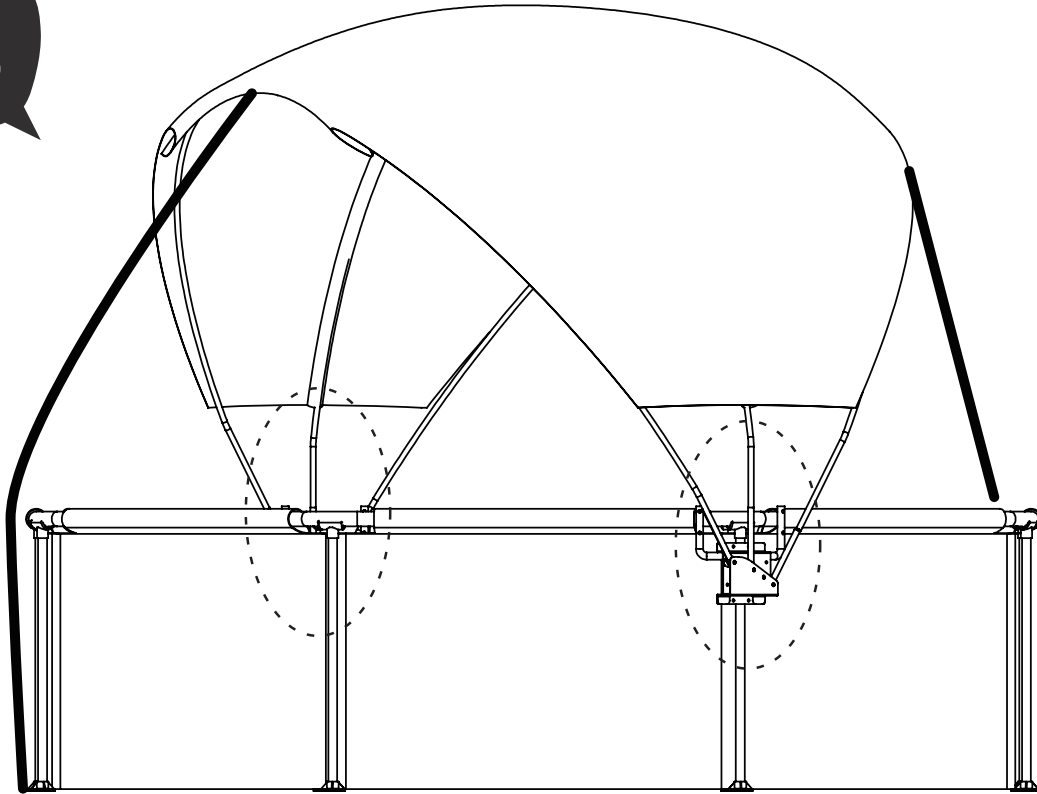


8ft	2x	8	10	11
10ft/12ft	4x	8	10	11

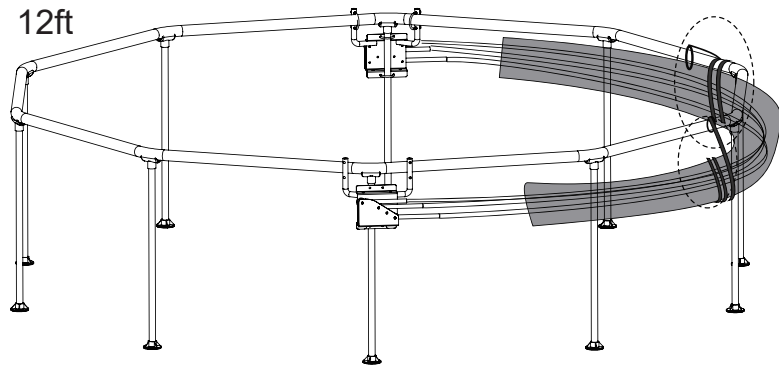
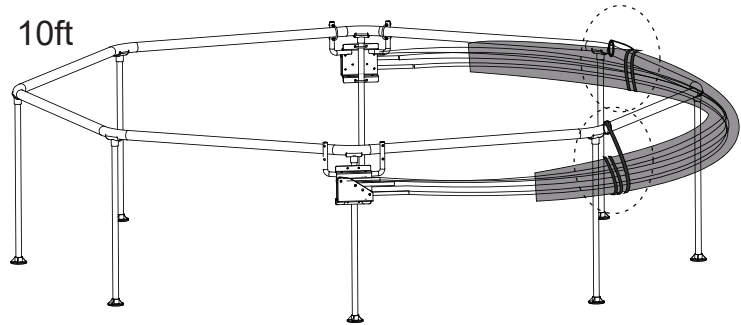
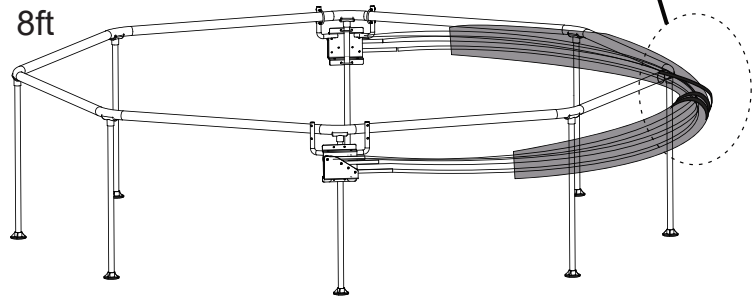
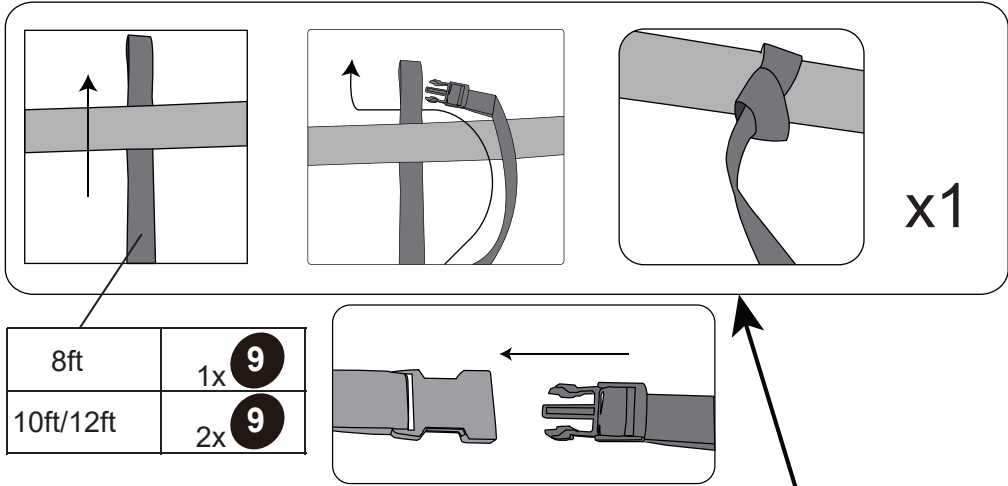
Pool Canopy

EXIT Pool Canopy ø244/ø300/ø360

13

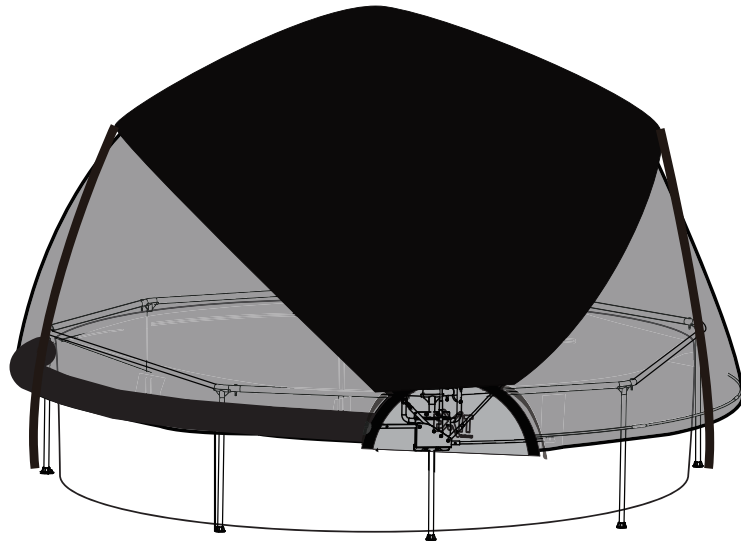


14

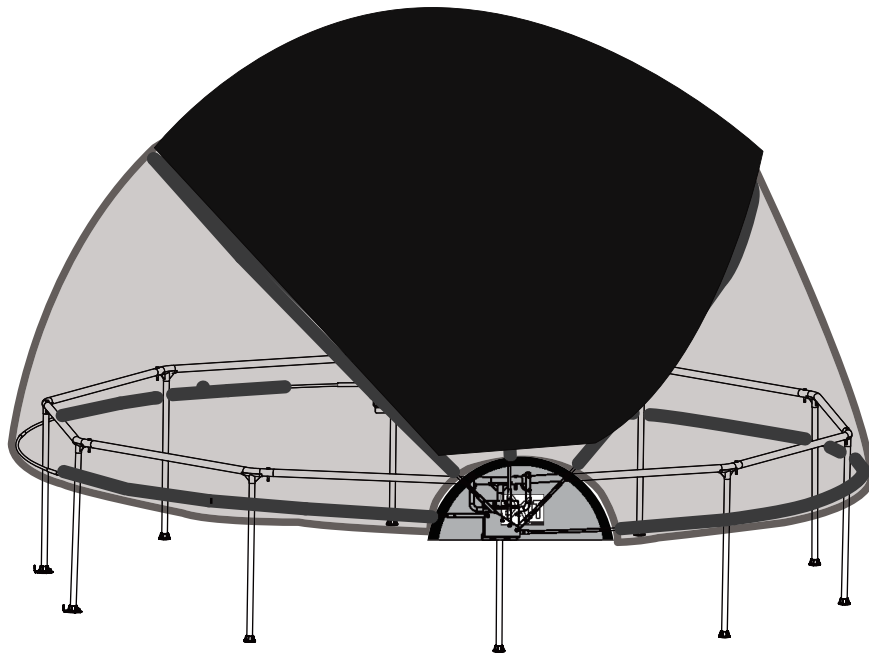


Pool Canopy

EXIT Pool Canopy $\varnothing 244/\varnothing 300/\varnothing 360$

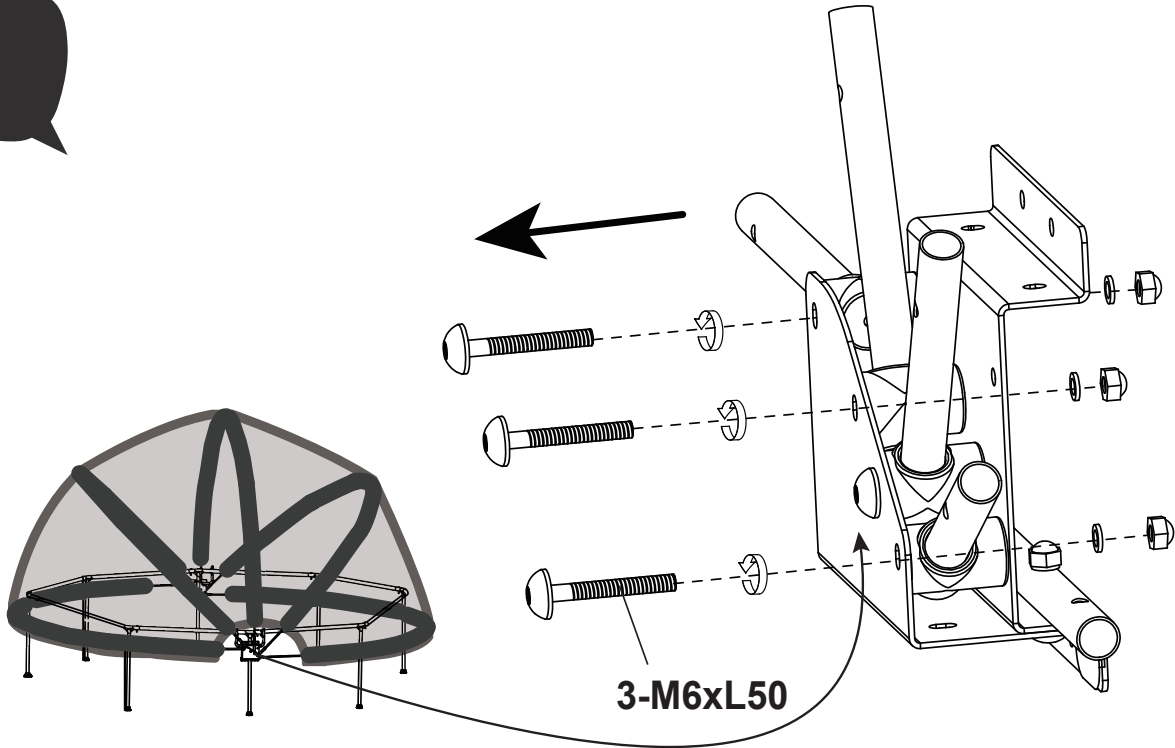


8ft/10ft

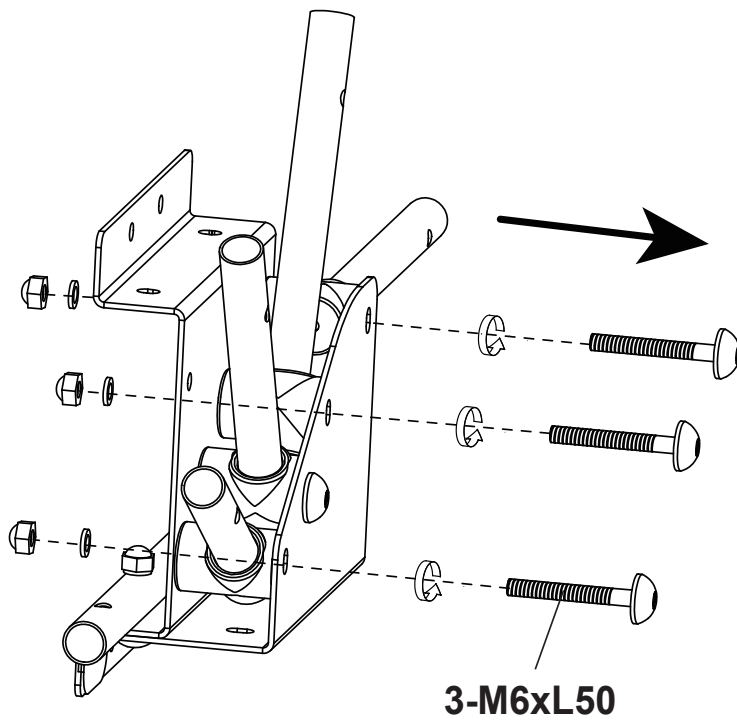


12ft

1



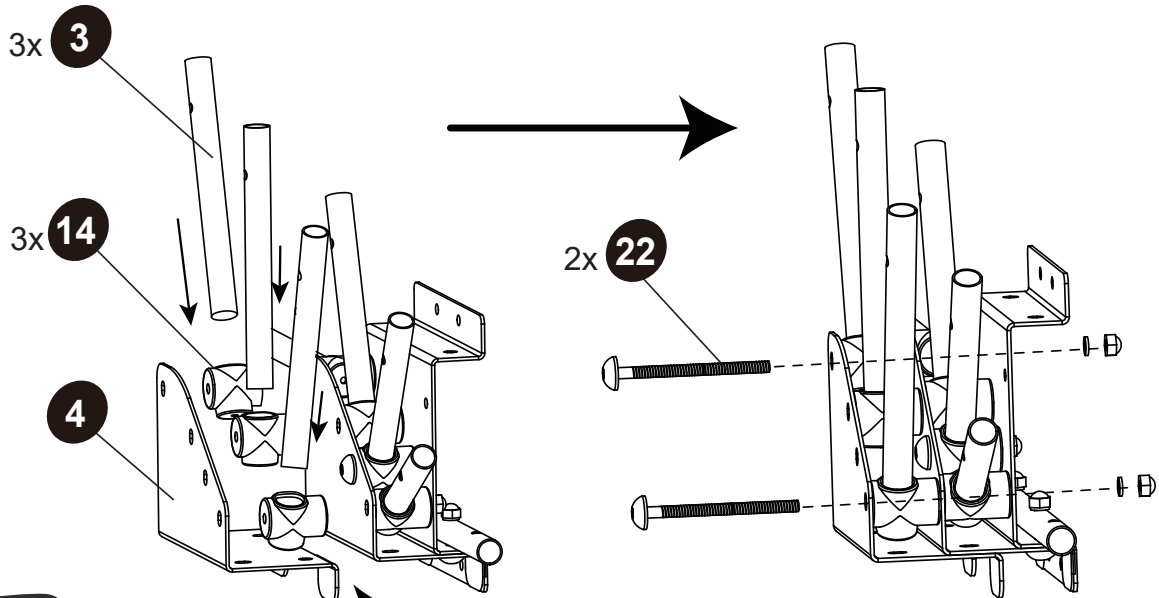
2



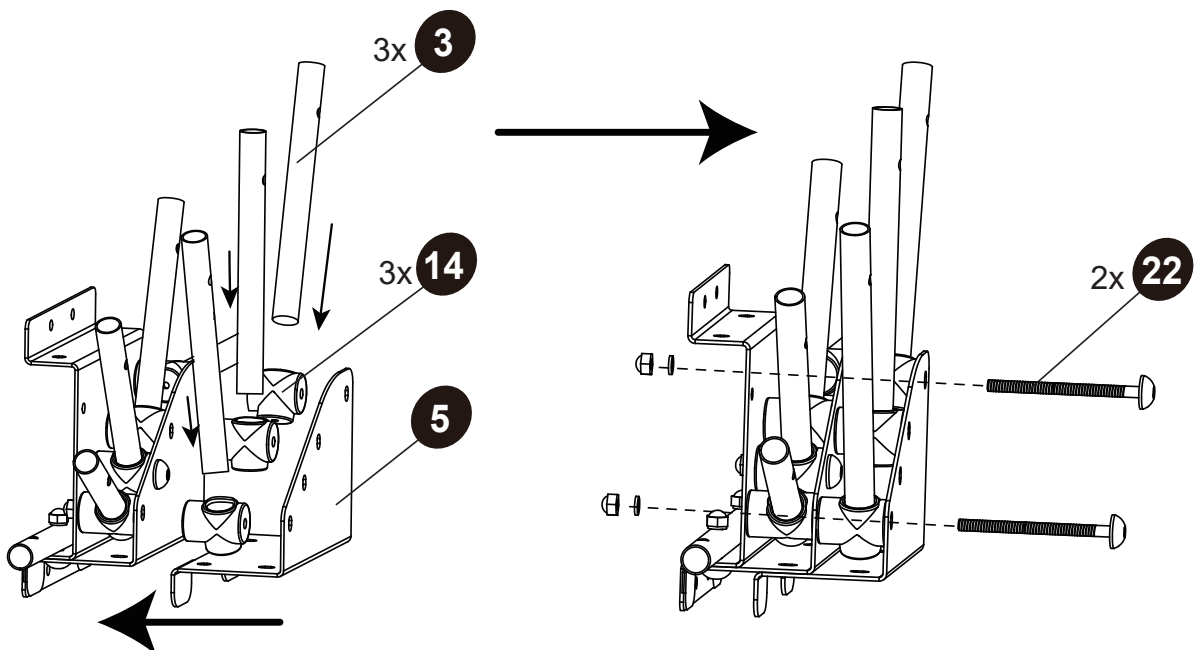
Pool Canopy

EXIT Pool Canopy ø244/ø300/ø360

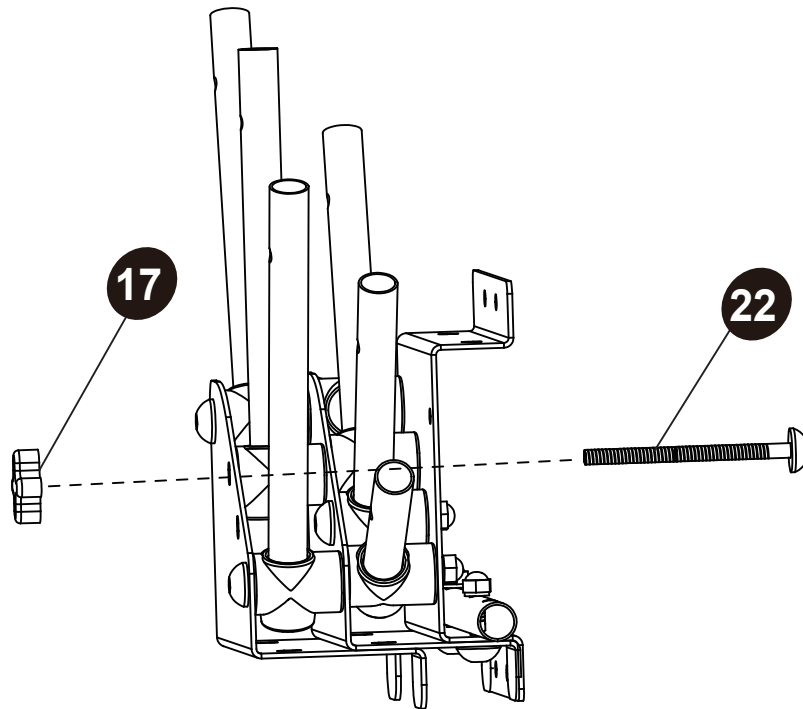
3



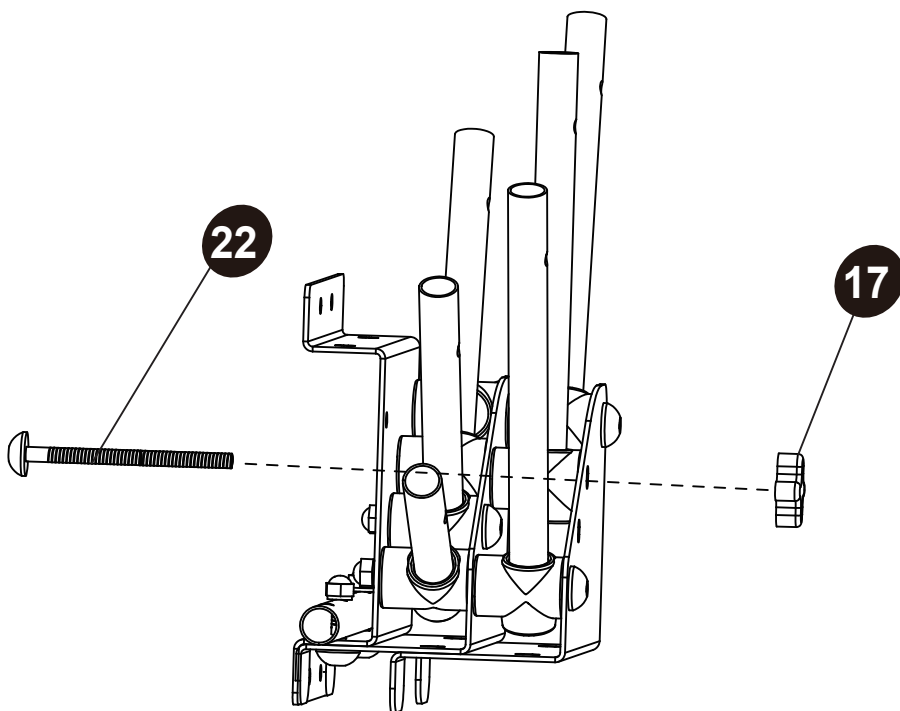
4



5



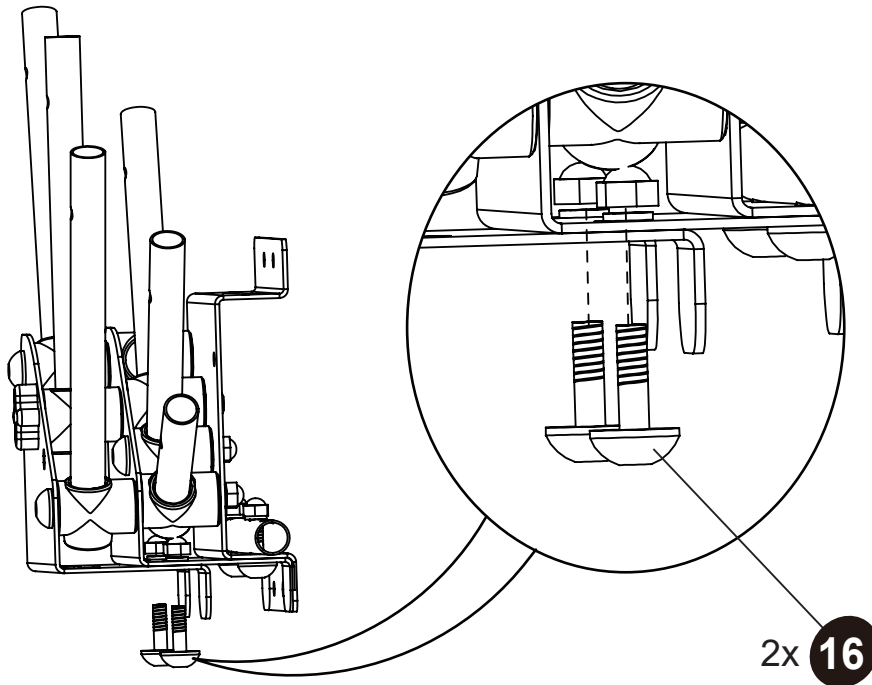
6



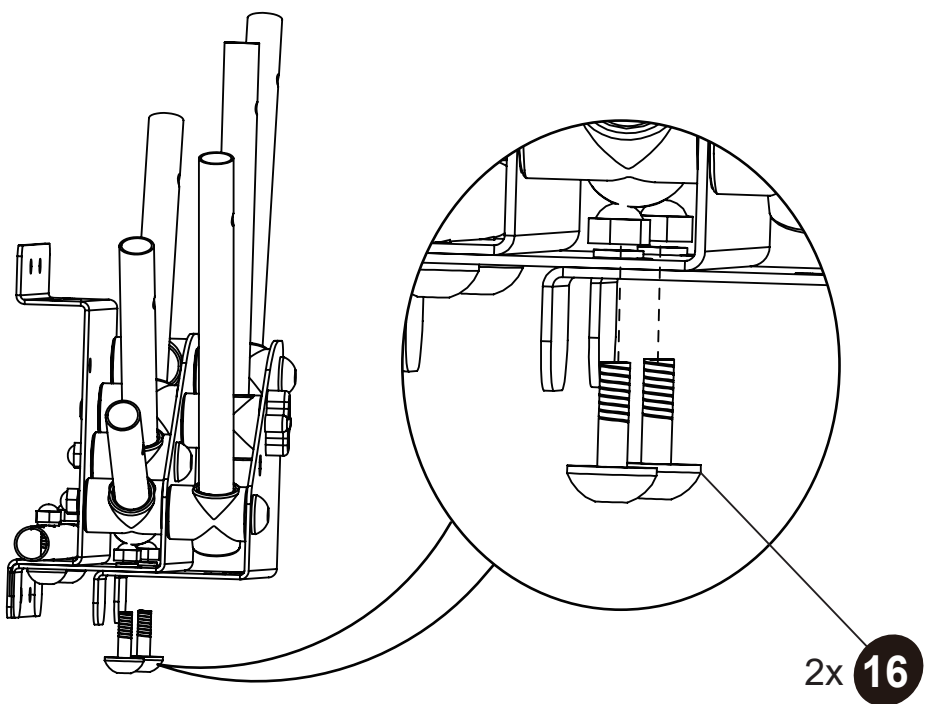
Pool Canopy

EXIT Pool Canopy ø244/ø300/ø360

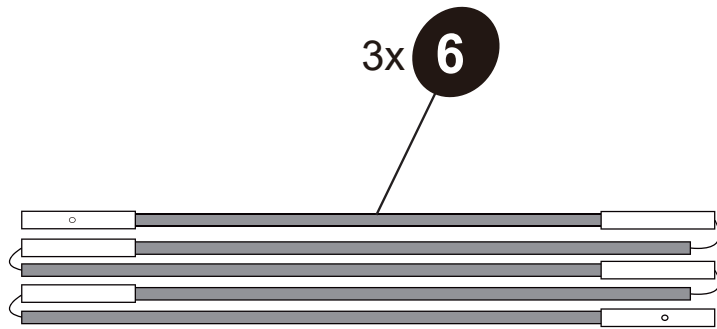
7



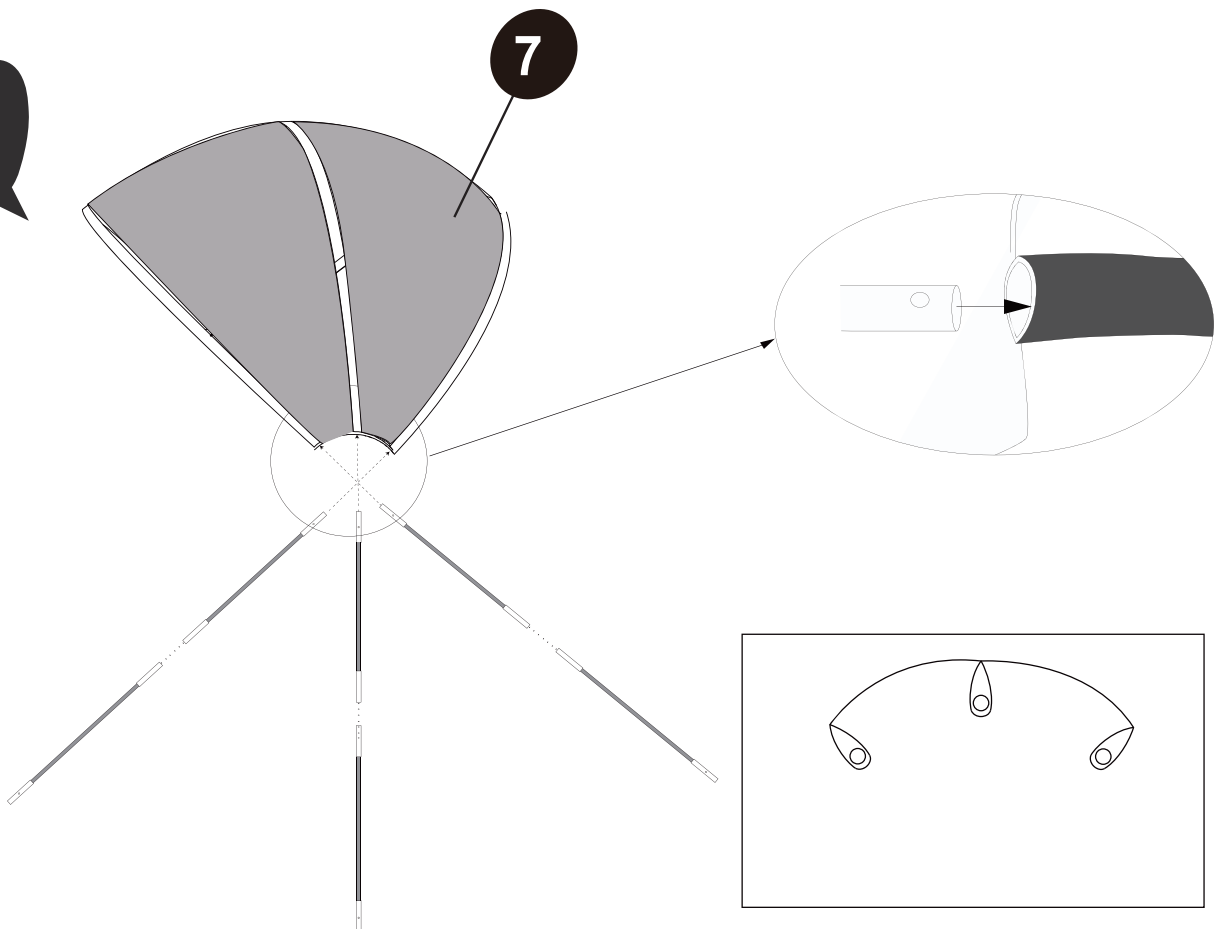
8



9



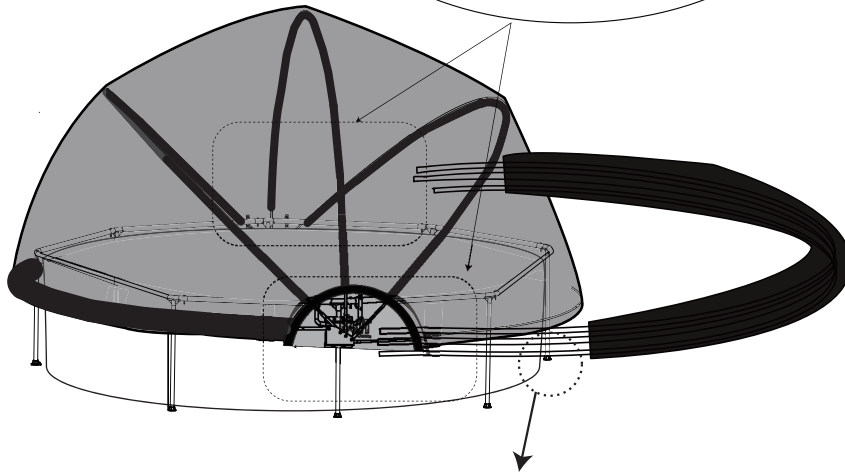
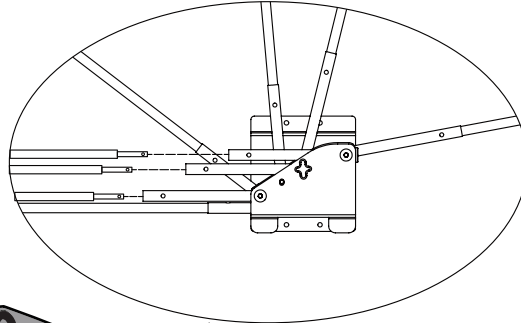
10



Pool Canopy

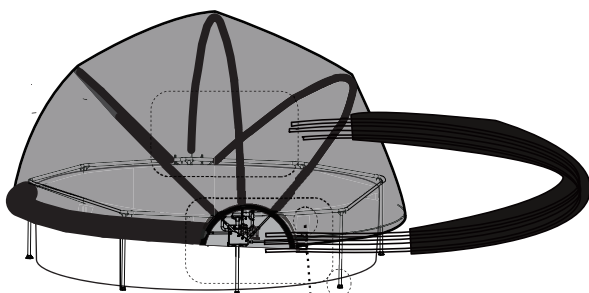
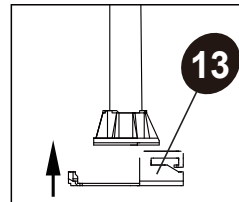
EXIT Pool Canopy ø244/ø300/ø360

11

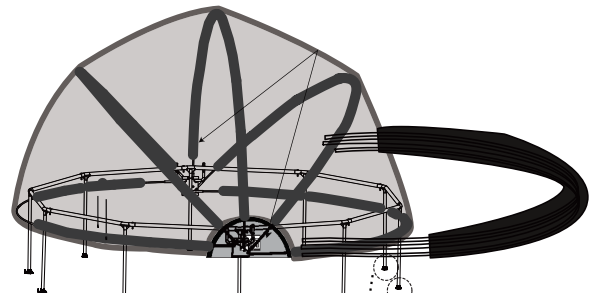
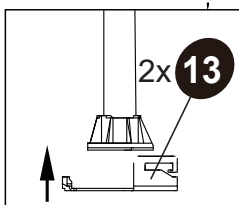


12

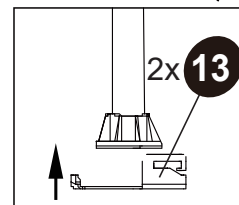
8ft



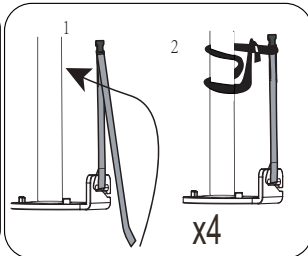
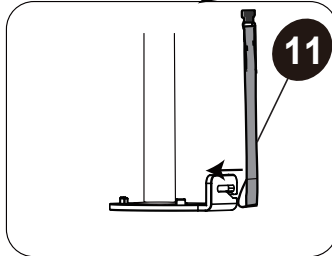
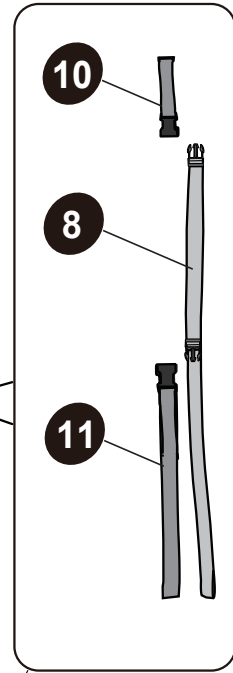
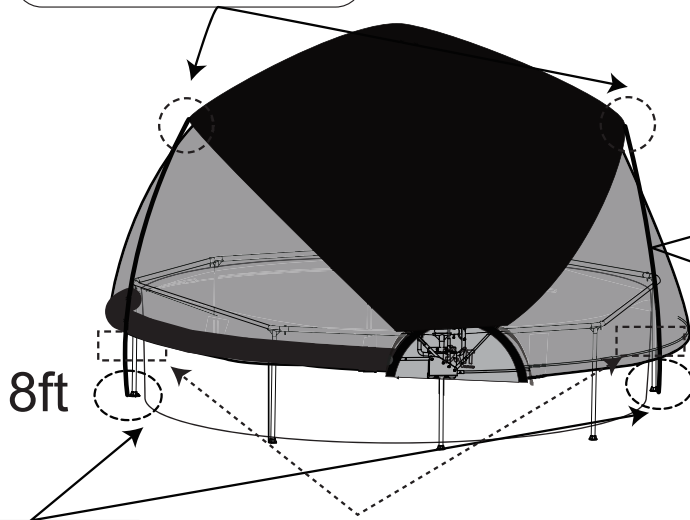
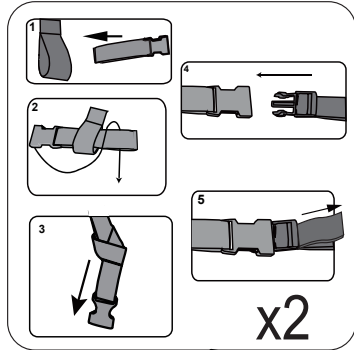
10ft



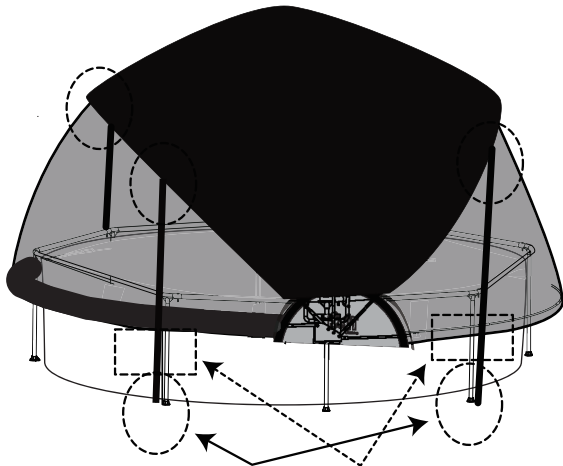
12ft



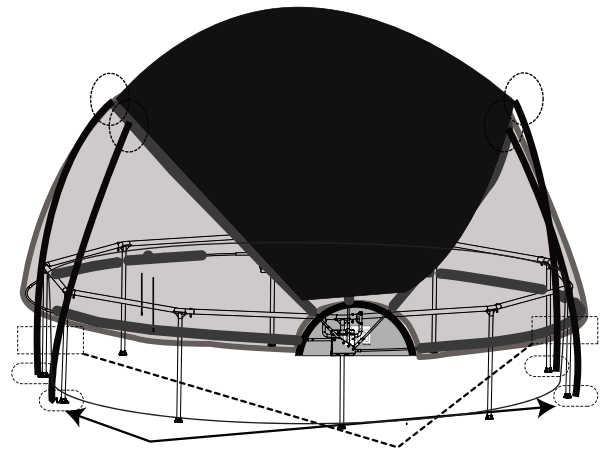
13



8ft	2x	8	10	11
10ft/12ft	4x	8	10	11



10ft

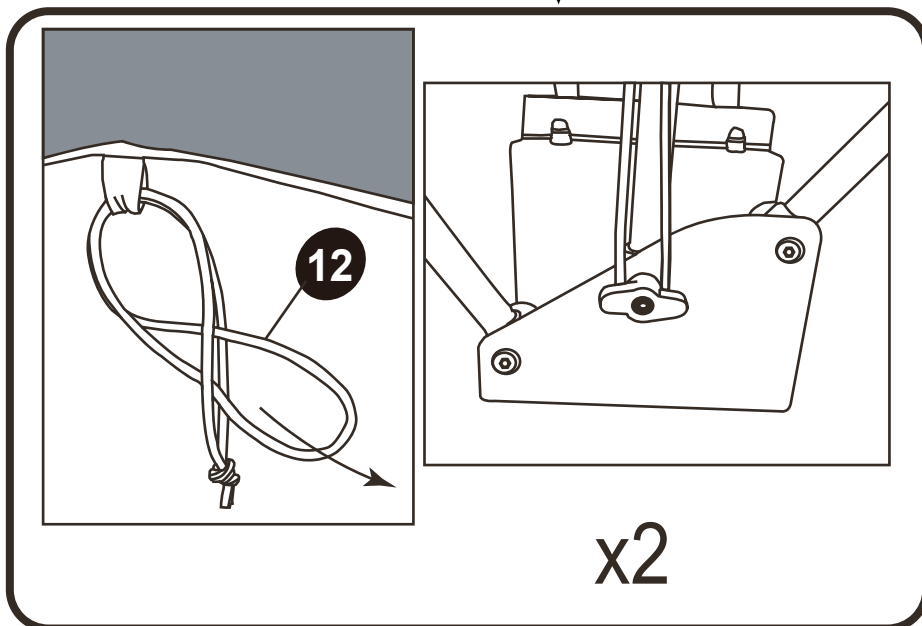
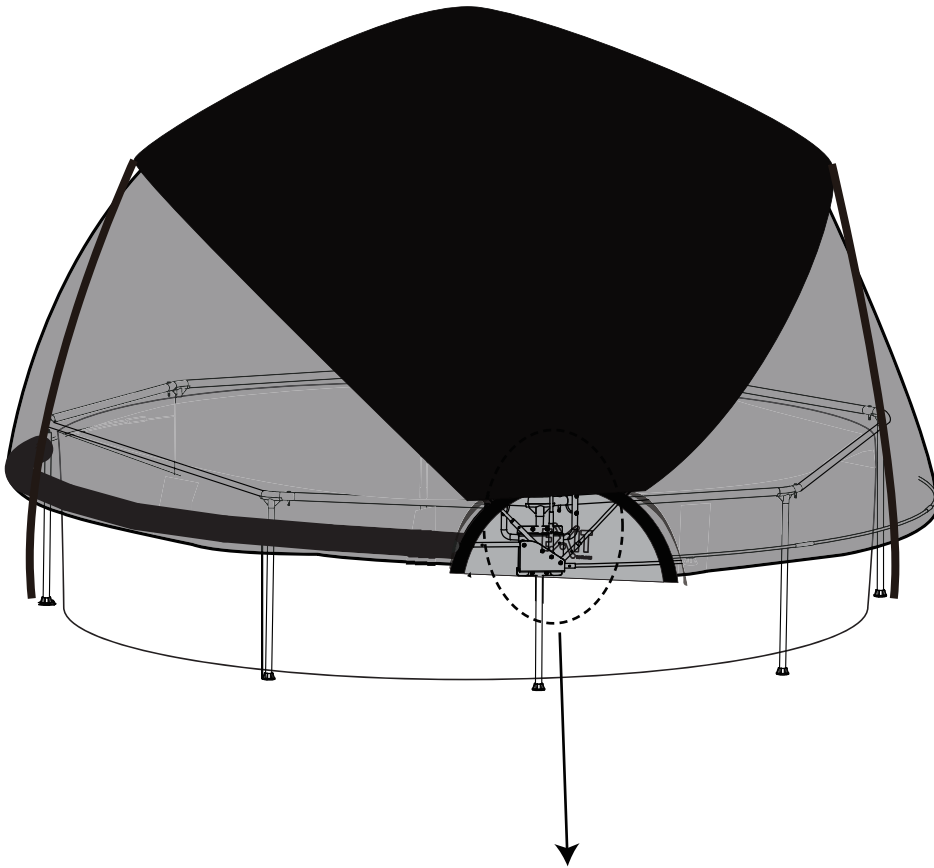


12ft

Pool Canopy

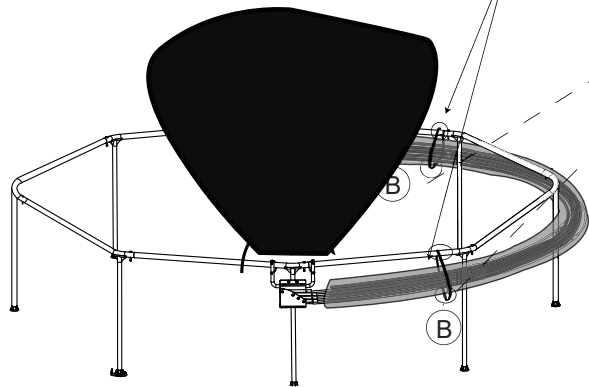
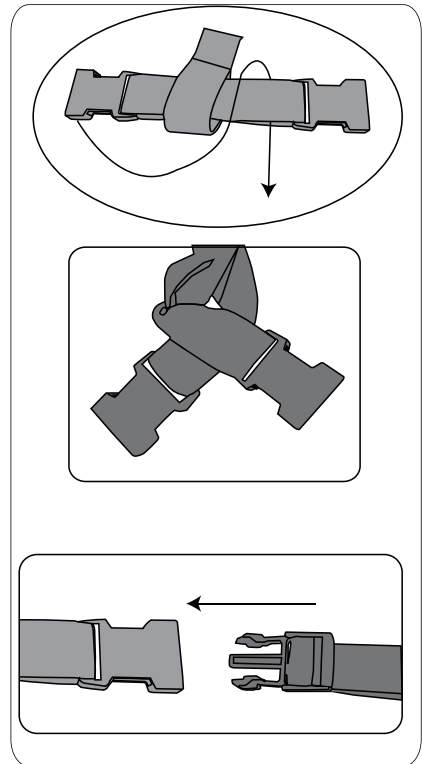
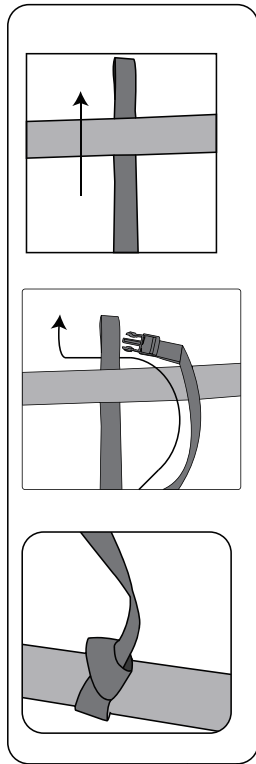
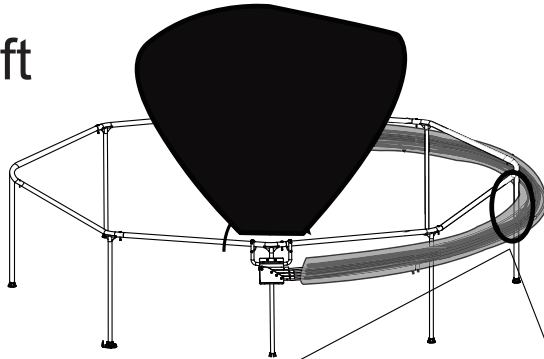
EXIT Pool Canopy ø244/ø300/ø360

14

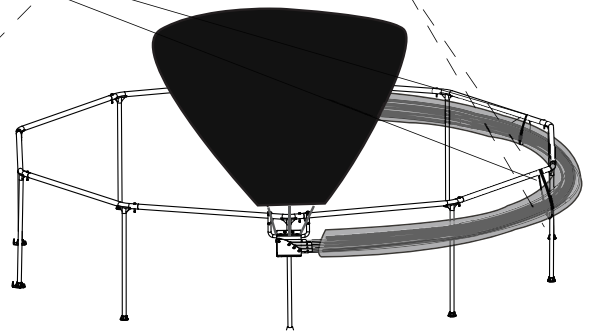


15

8ft



10ft

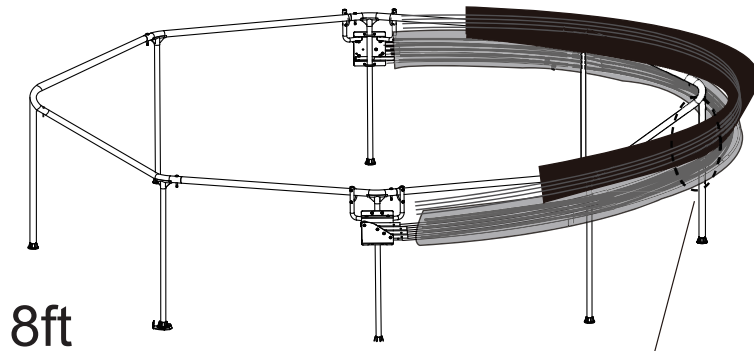


12ft

Pool Canopy

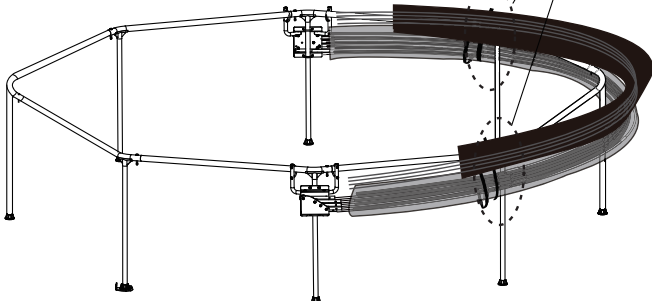
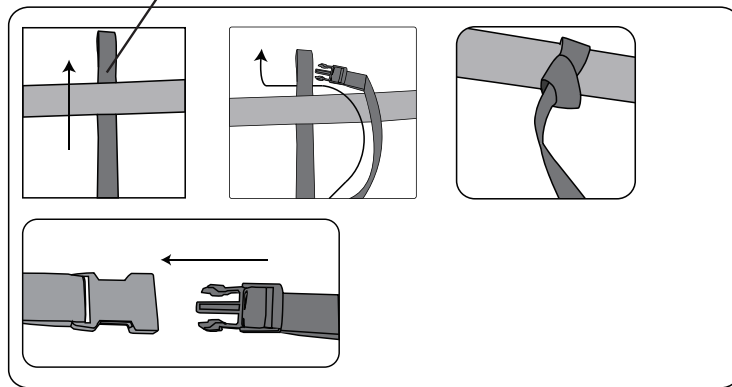
EXIT Pool Canopy ø244/ø300/ø360

16

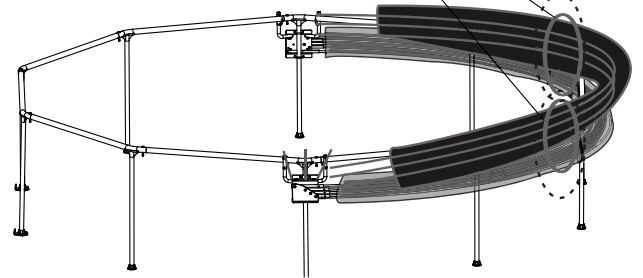


8ft

*1x
2x
9



10ft



12ft



www.exittoys.com

Contact Information:

Dutch Toys Group B.V.
Edisonstraat 83
7006 RB Doetinchem, The Netherlands

info@exittoys.com
www.exittoys.com

EXIT Toys is part of:

SIMBA · DICKIE · GROUP

EXIT Toys is a registered trade mark of Dutch Toys Group