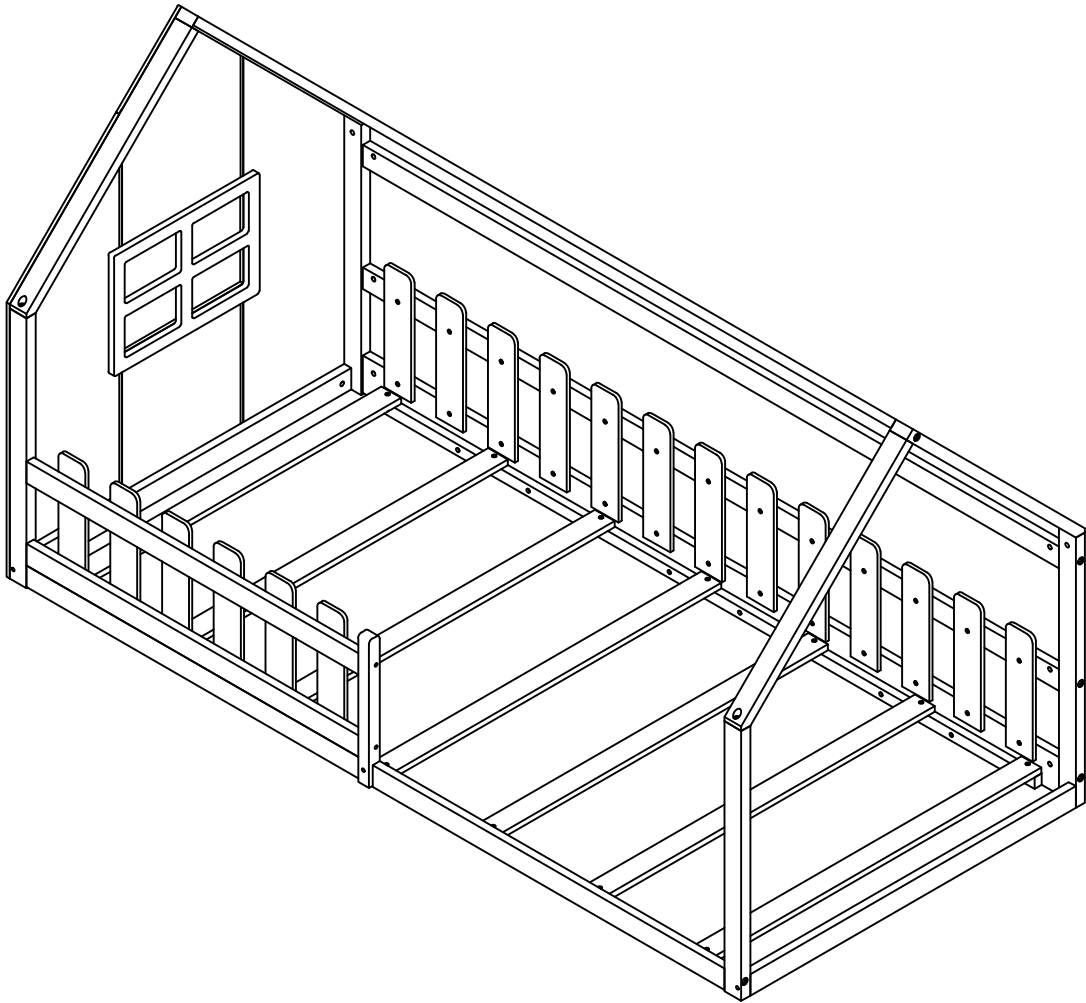


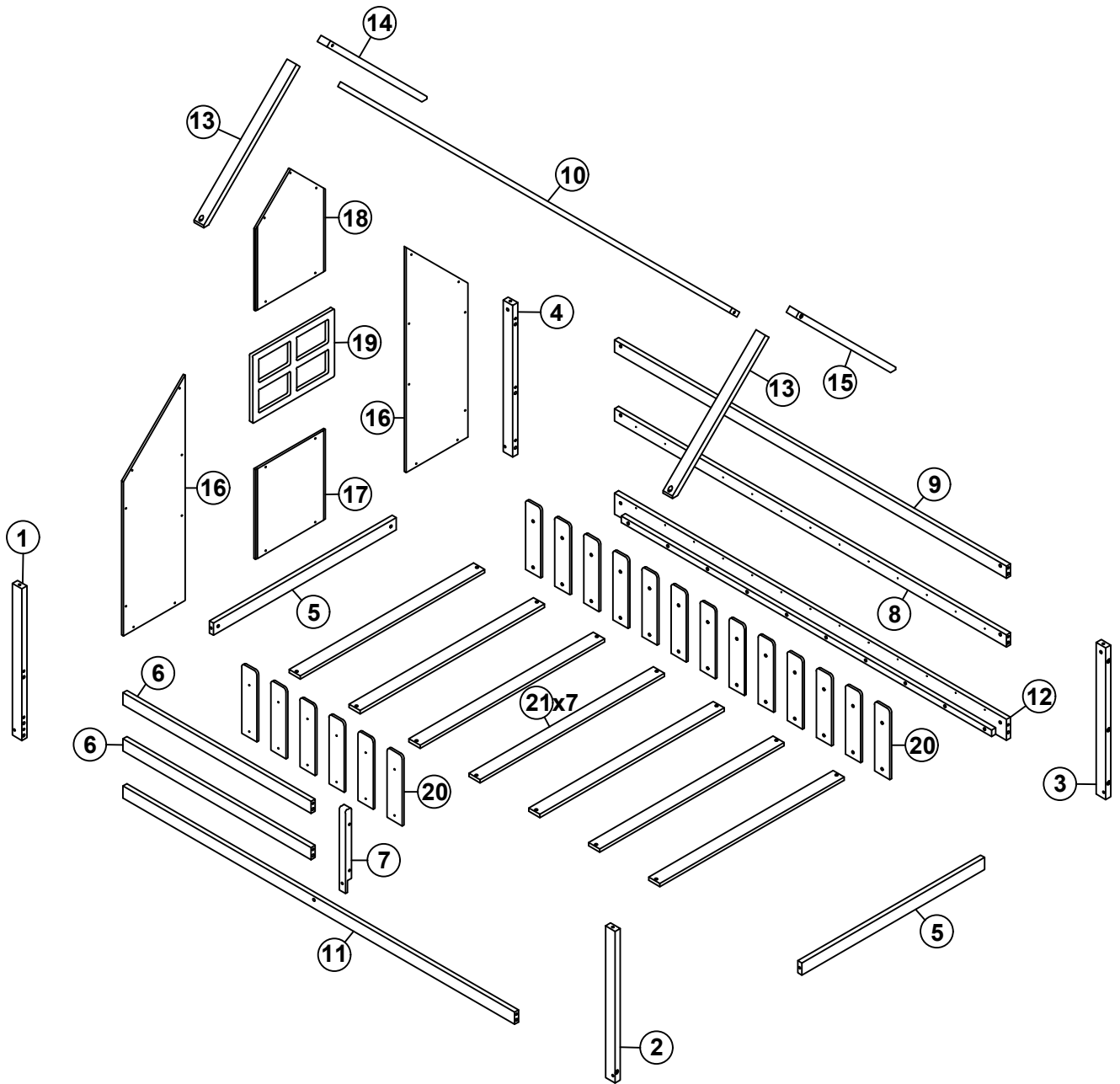
# ASSEMBLY INSTRUCTIONS

## TWIN HOUSE BED


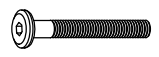







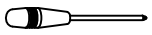


WF322714-15

# ASSEMBLY INSTRUCTIONS

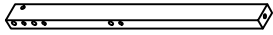

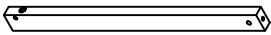
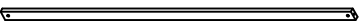
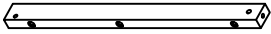

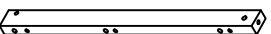

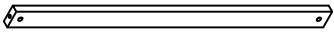
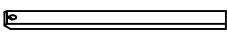
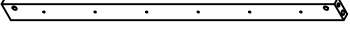
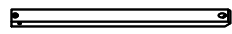

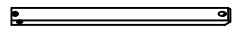


## HARDWARE LIST (WF322714)

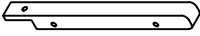
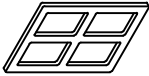
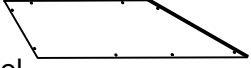
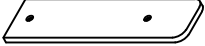
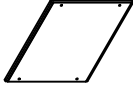
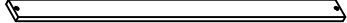
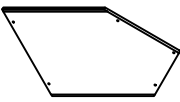
<b>A</b>	Ø4x30		14PCS	<b>F</b>	1/4x55		4PCS
<b>B</b>	Ø4x20		63PCS	<b>G</b>	1/4x25		1PC
<b>C</b>	1/4x90		12PCS	<b>H</b>	Ø10x40		12PCS
<b>D</b>	1/4x75		2PCS	<b>I</b>	4x58		1PC
<b>E</b>	1/4x65		6PCS	Phillip head screw Not include			

# ASSEMBLY INSTRUCTIONS

## WF322714(Hardware in this SKU)

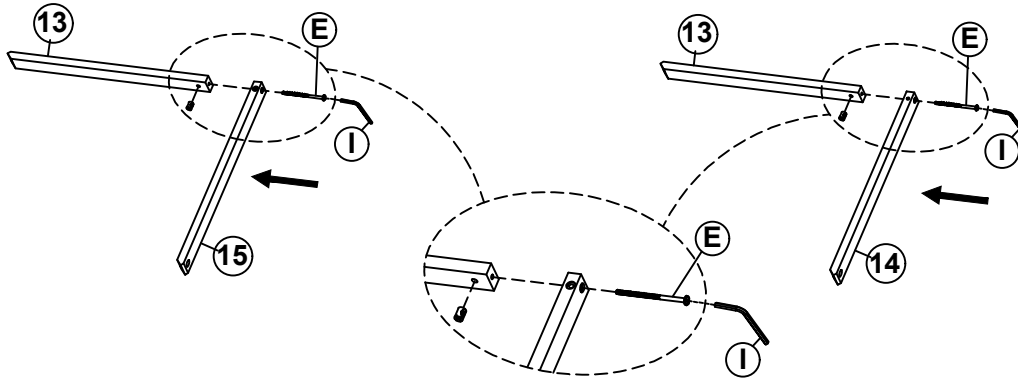
<b>1</b>	Leg 	1pc	<b>9</b>	Back crossbar 	1pc
<b>2</b>	Leg 	1pc	<b>10</b>	Roof crossbar 	1pc
<b>3</b>	Leg 	1pc	<b>11</b>	Side rails 	1pc
<b>4</b>	Leg 	1pc	<b>12</b>	Side rails 	1pc
<b>5</b>	Headboard frames 	2pcs	<b>13</b>	Roof left back crossbar 	2pcs
<b>6</b>	Front guard rails 	2pcs	<b>14</b>	Roof right back crossbar 	1pc
<b>8</b>	Back crossbar 	1pc	<b>15</b>	Roof left & right front crossbar 	1pc



## WF322715

<b>7</b>	Support guard rails 	1pc	<b>19</b>	Headboard panel 	1pc
<b>16</b>	Headboard panel 	2pcs	<b>20</b>	Headboard leg 	19pcs
<b>17</b>	Headboard panel 	1pc	<b>21</b>	Slats 	7pcs
<b>18</b>	Headboard panel 	1pc			

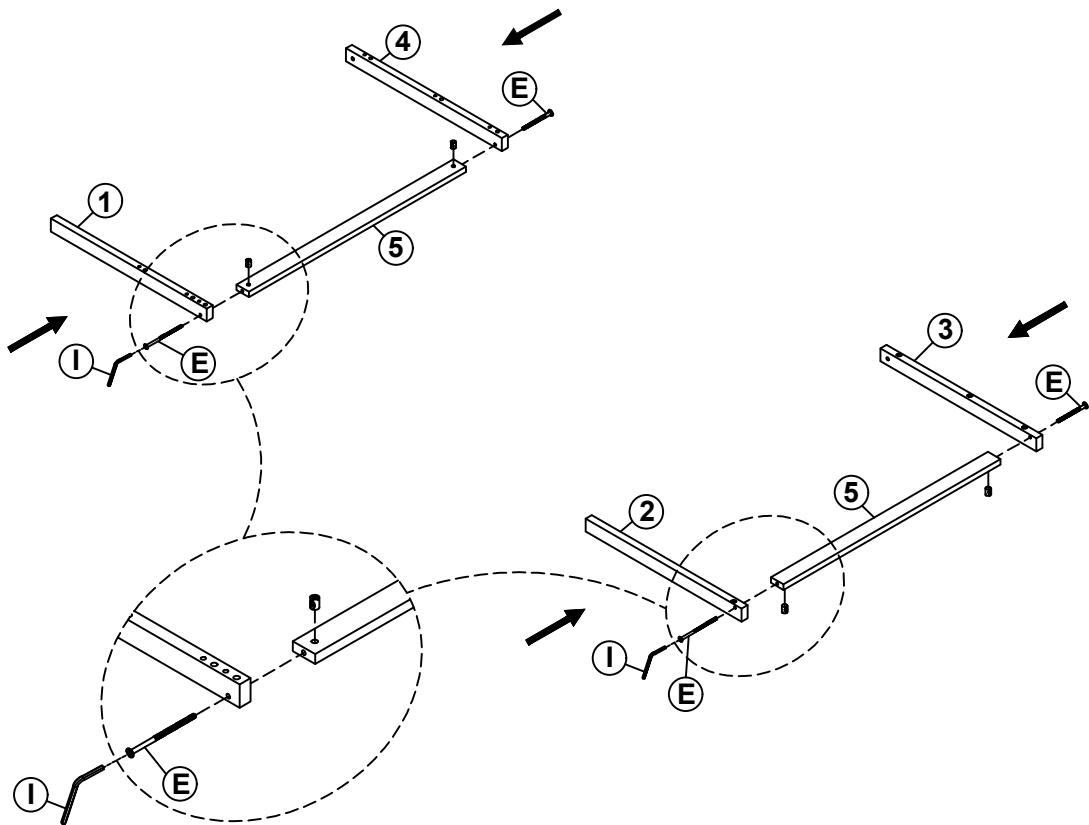
# ASSEMBLY INSTRUCTIONS



## Step 1



<b>E</b>	1/4x65		2PCS	<b>I</b>	4x58		1PC
----------	--------	---	------	----------	------	---	-----

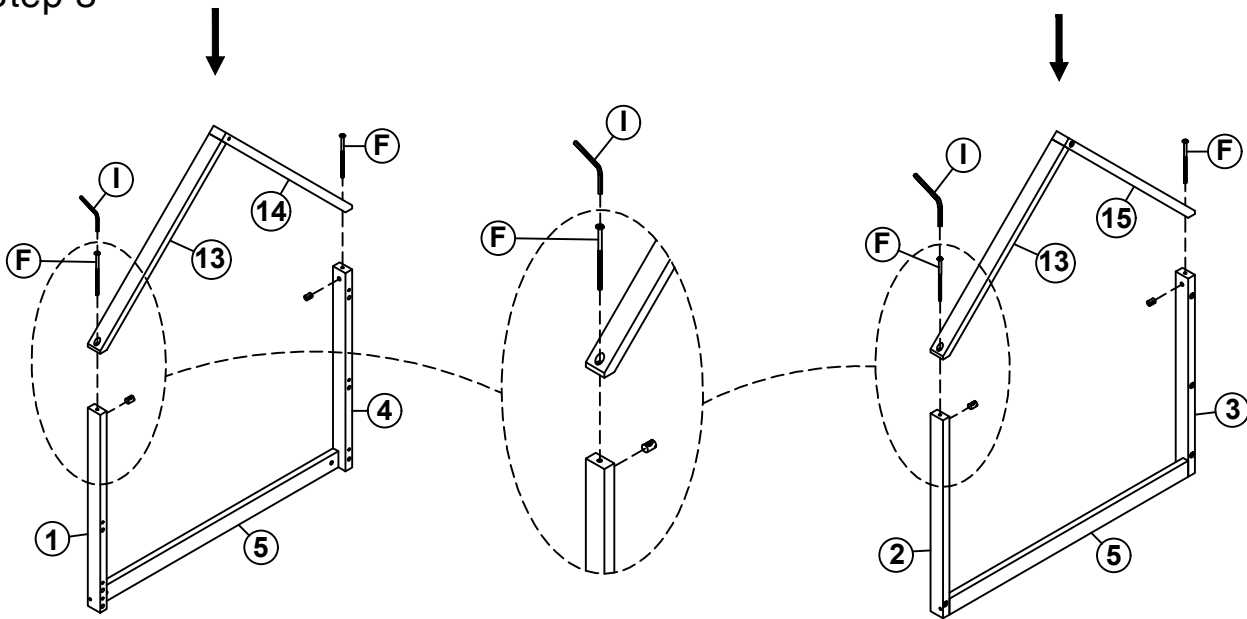
## Step 2




<b>E</b>	1/4x65		4PCS	<b>I</b>	4x58		1PC
----------	--------	---	------	----------	------	---	-----

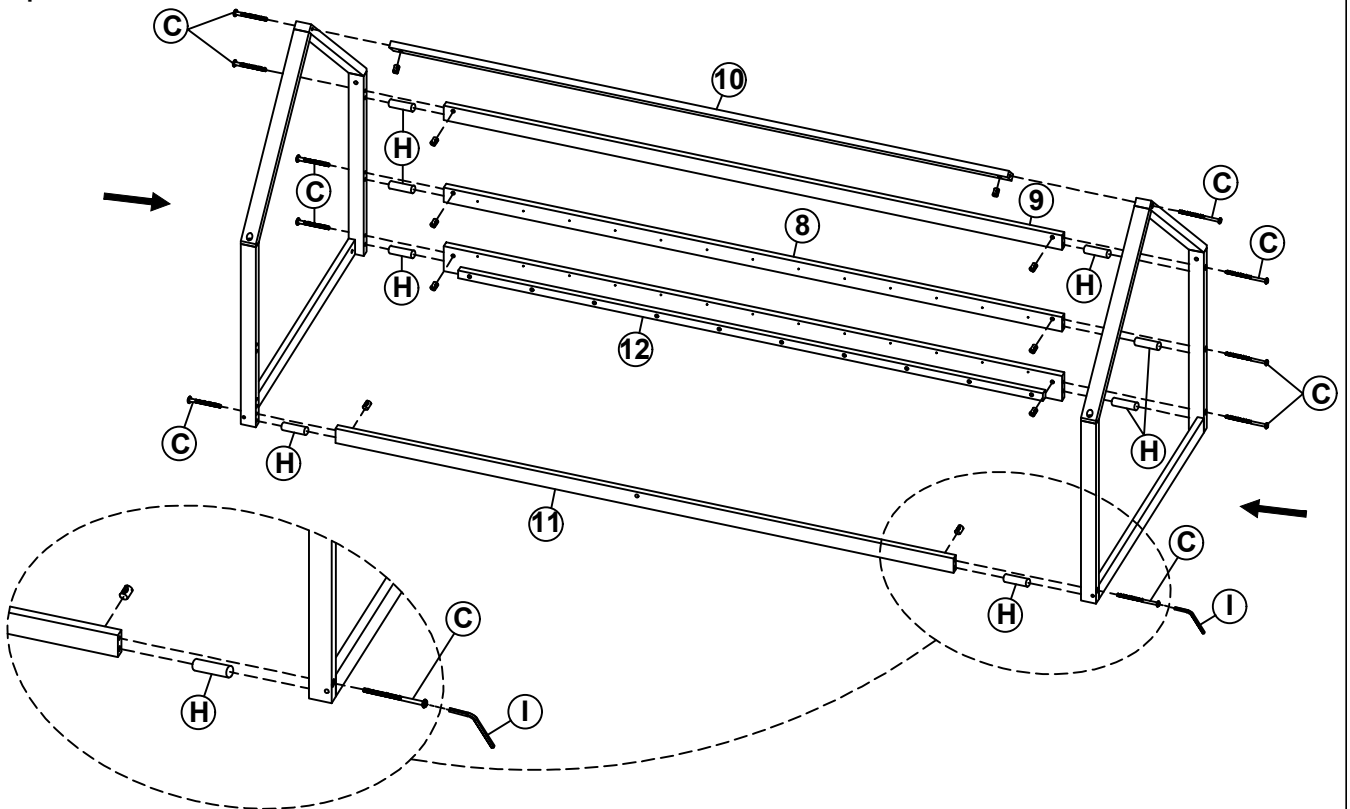
# ASSEMBLY INSTRUCTIONS

## Step 3


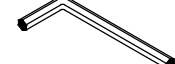


<b>F</b>	1/4x55		4PCS	<b>I</b>	4x58		1PC
----------	--------	---	------	----------	------	---	-----

## Step 4

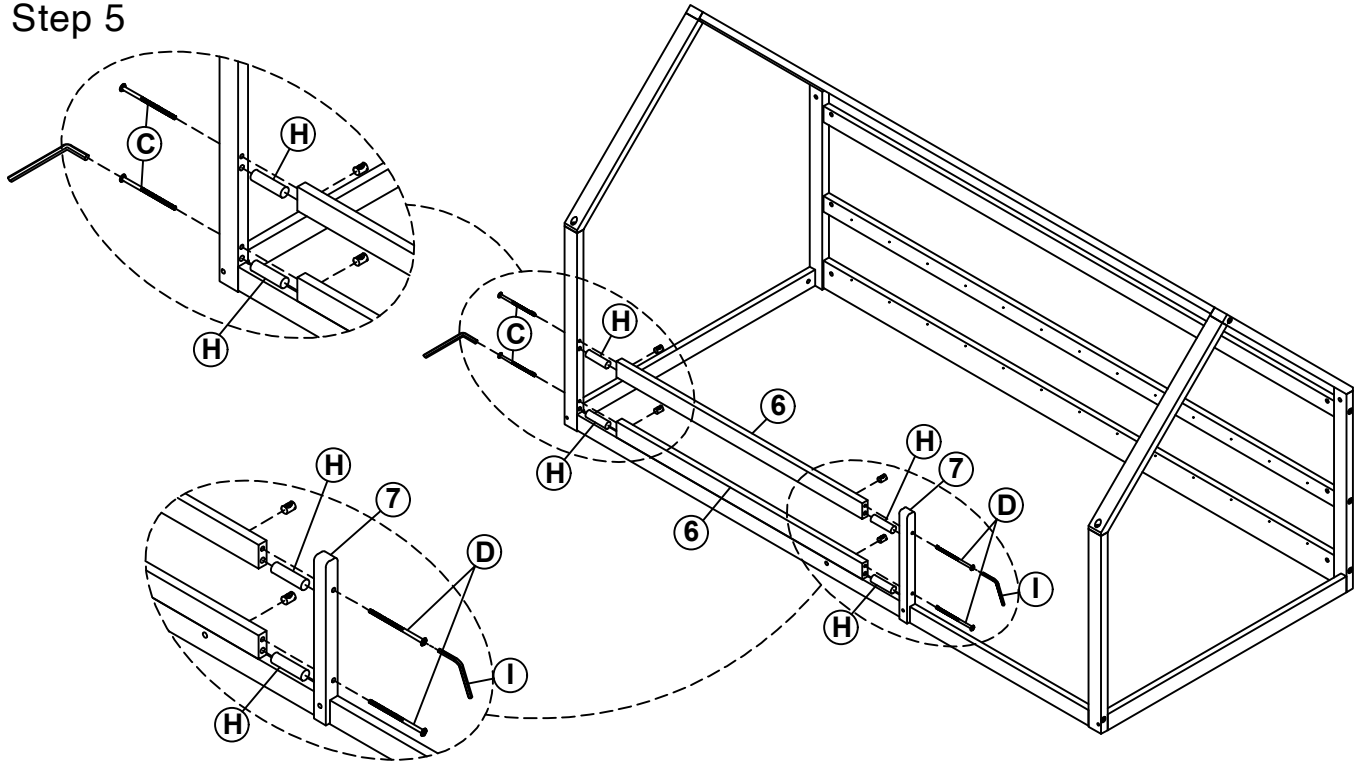






<b>H</b>	Ø10x40		8PCS
----------	--------	---	------

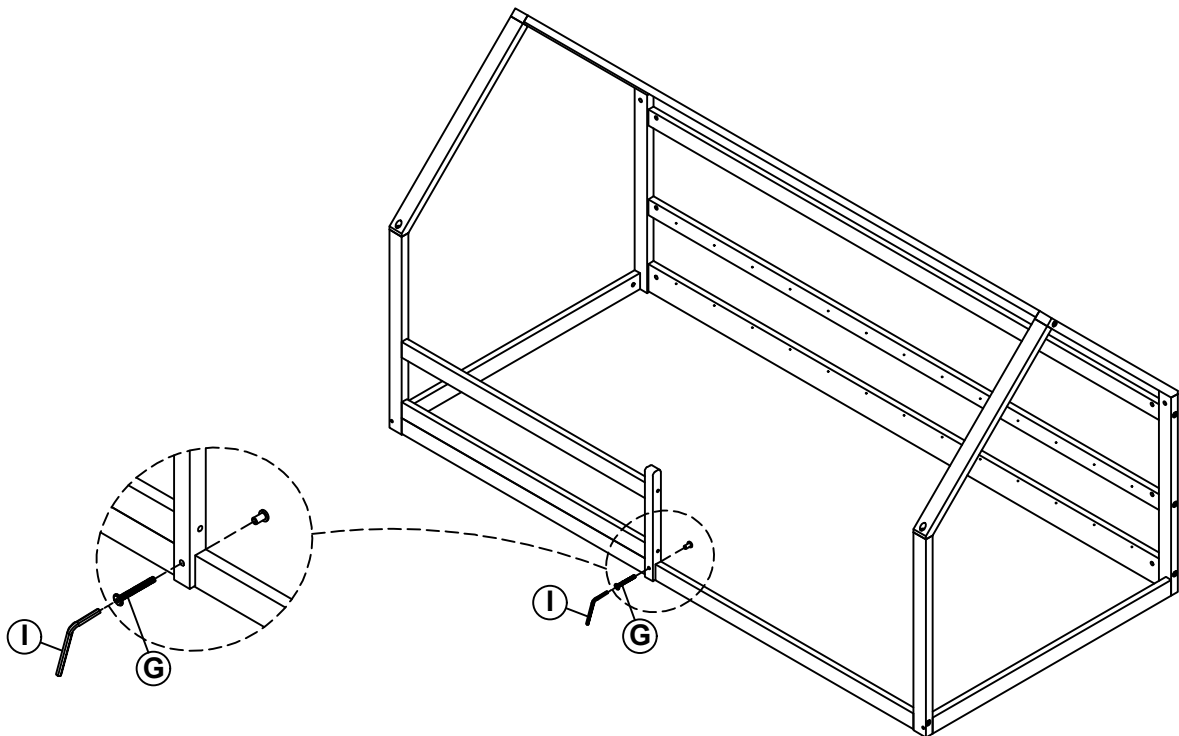
<b>C</b>	1/4x90		10PCS	<b>I</b>	4x58		1PC
----------	--------	---	-------	----------	------	---	-----

# ASSEMBLY INSTRUCTIONS

Step 5



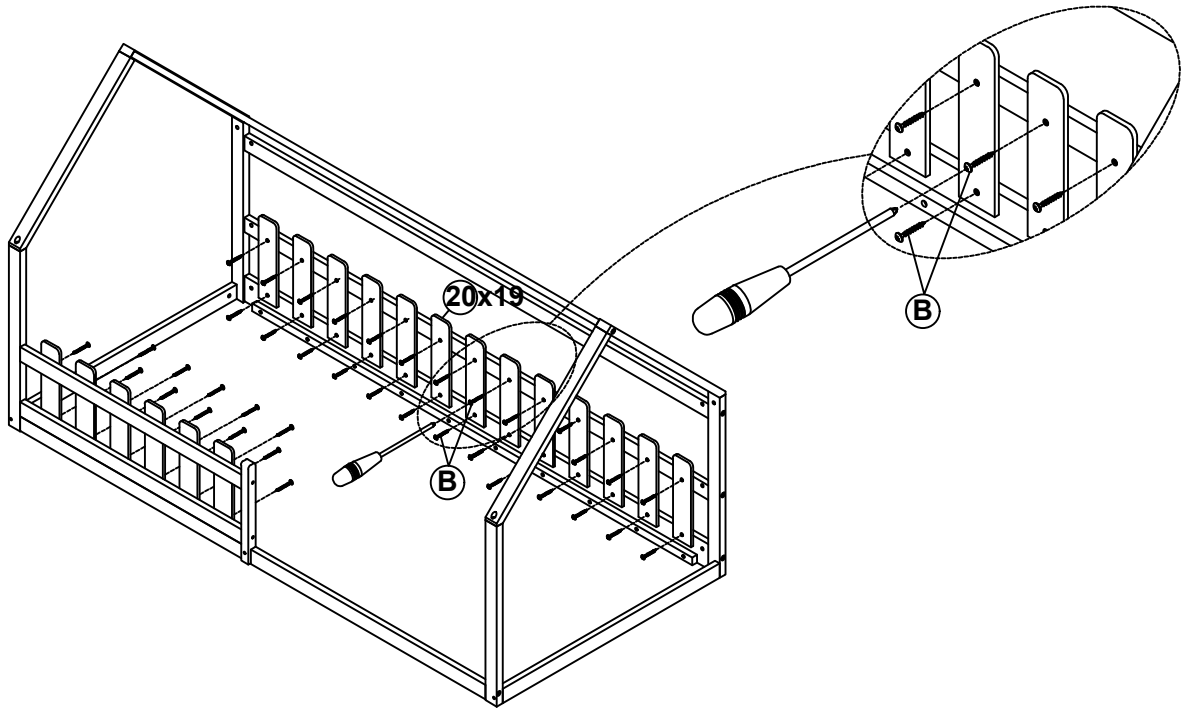
<b>C</b>	1/4x90		2PCS	<b>H</b>	Ø10x40		4PCS
<b>D</b>	1/4x75		2PCS	<b>I</b>	4x58		1PC



<b>G</b>	1/4x25		1PC	<b>I</b>	4x58		1PC
----------	--------	---	-----	----------	------	---	-----

# ASSEMBLY INSTRUCTIONS

Step 7



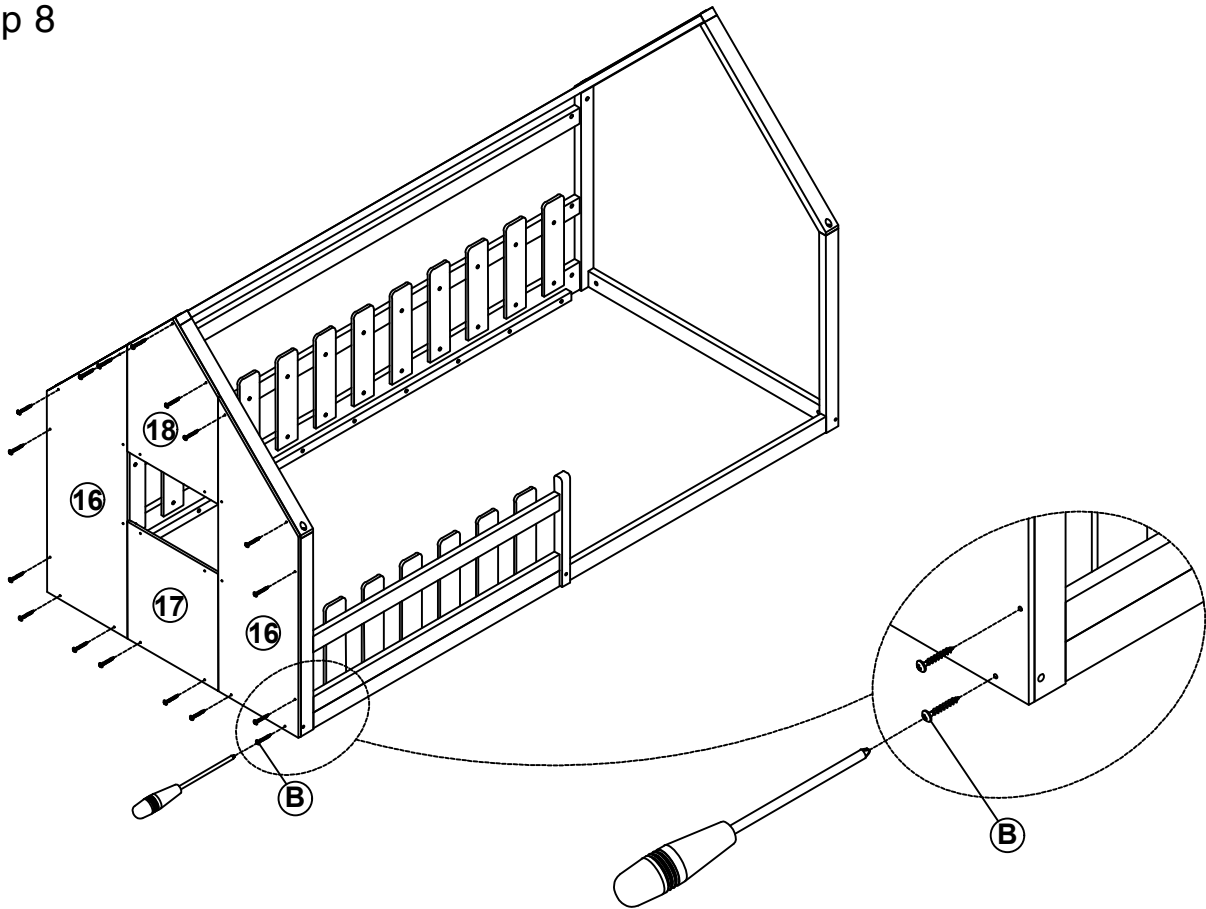
**B**

Ø4x20



38PCS

Step 8



**B**

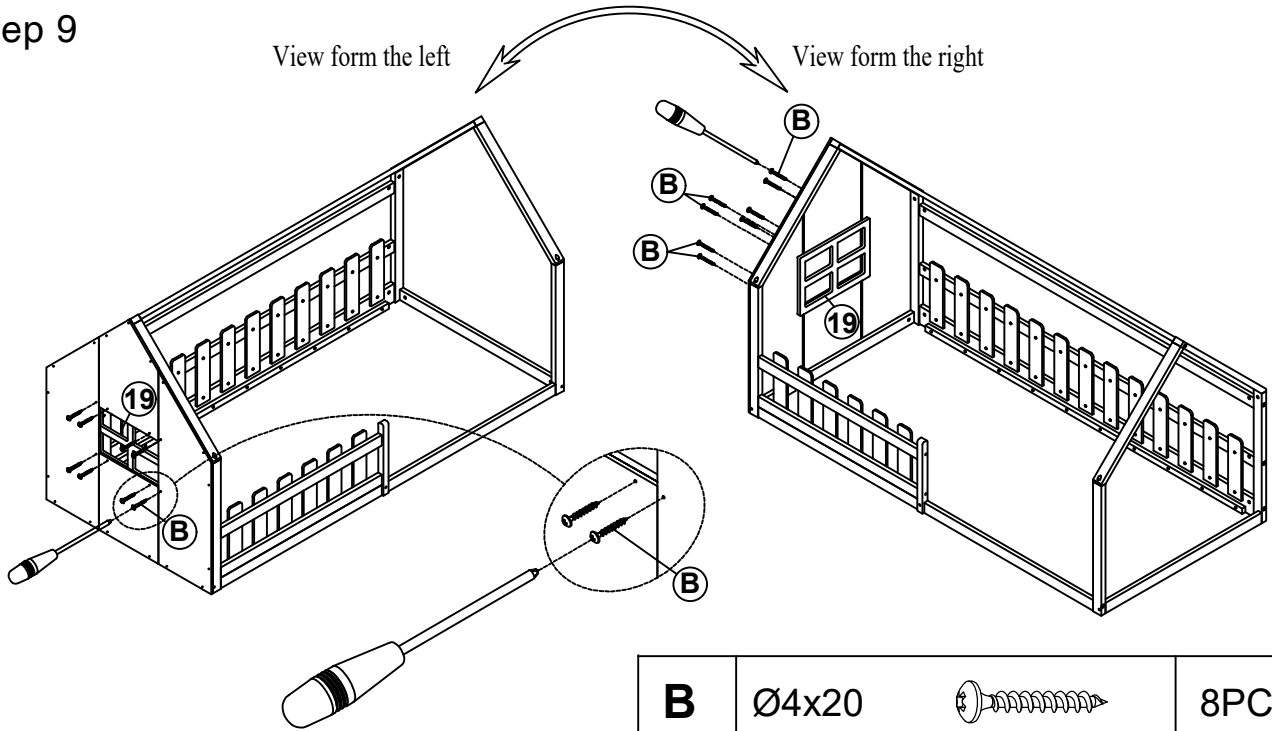
Ø4x20



17PCS

# ASSEMBLY INSTRUCTIONS

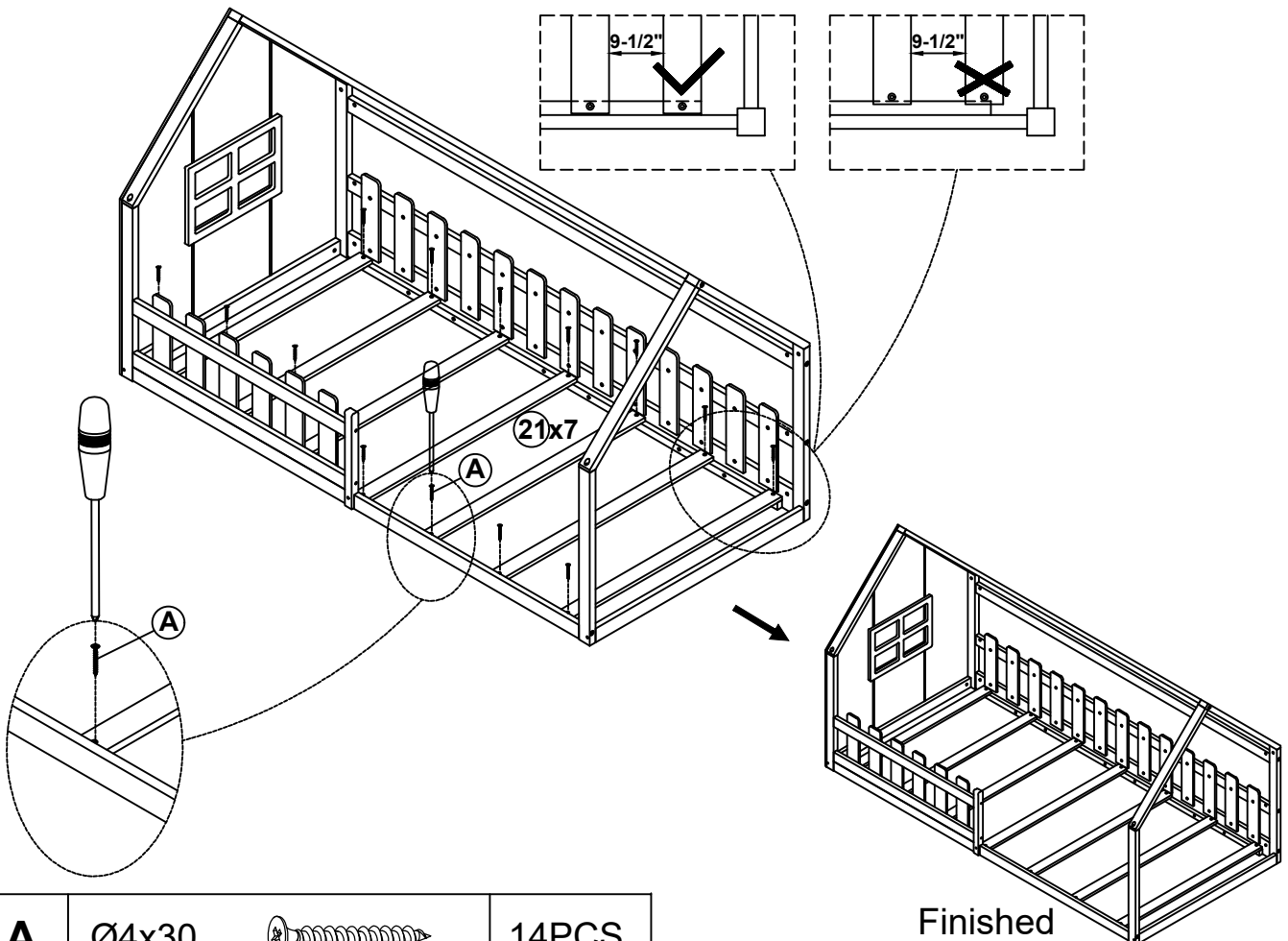
## Step 9



<b>B</b>	Ø4x20		8PCS
----------	-------	---	------

## Step 10

First attach 2pcs part 21 to the front and end of the frame between headboard. Then attach the remaining part 21 equidistantly between headboard



<b>A</b>	Ø4x30		14PCS
----------	-------	---	-------

Finished