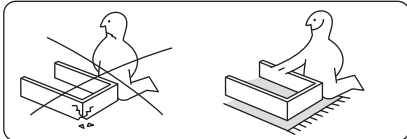
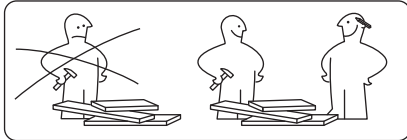
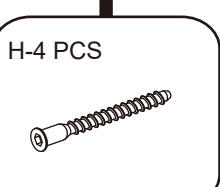
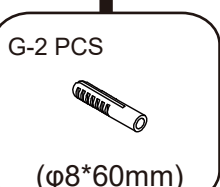
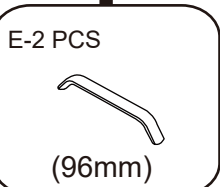
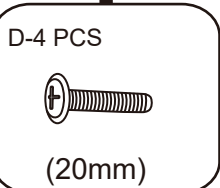
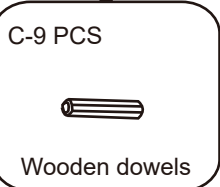
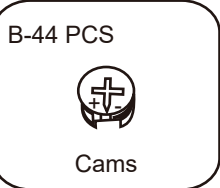
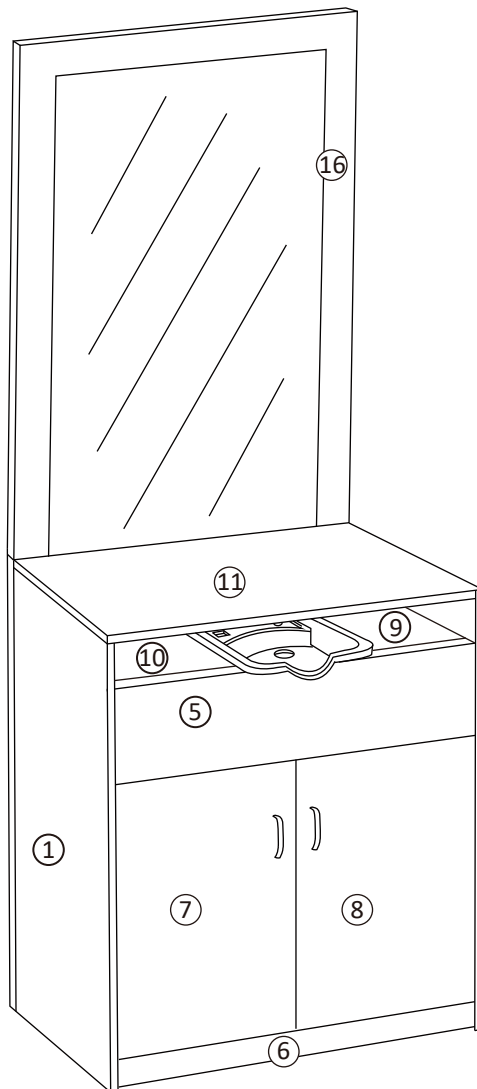
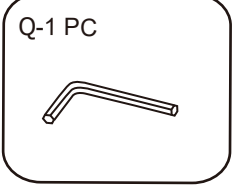
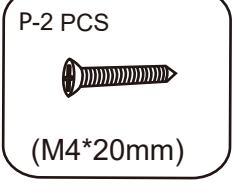
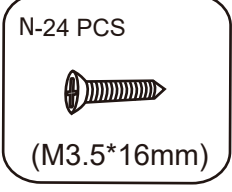
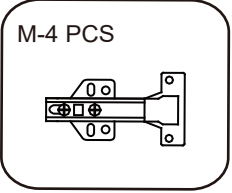
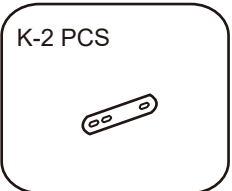
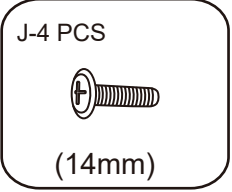
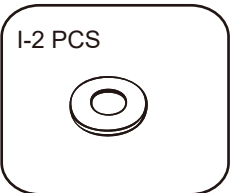


# ASSEMBLY INSTRUCTIONS



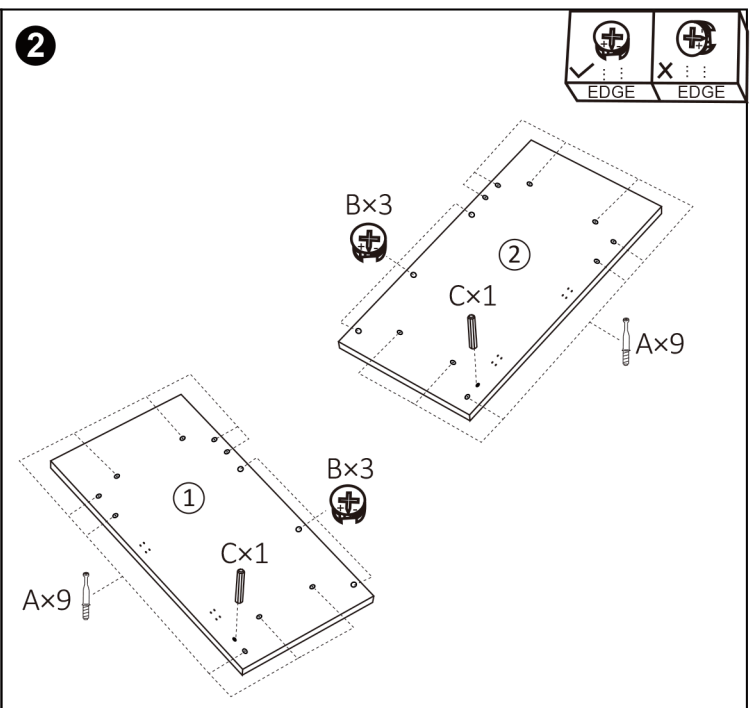
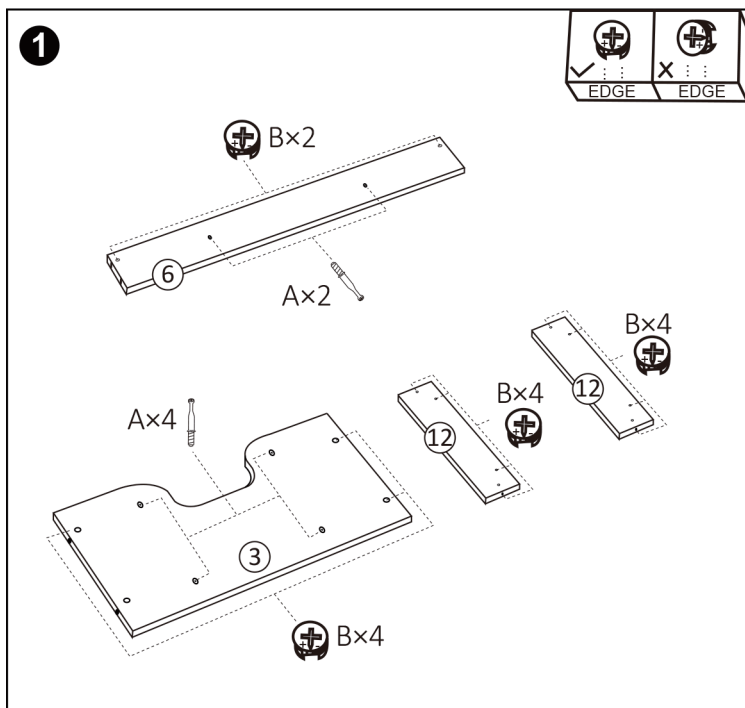
**IMPORTANT!**  
Do not tighten too hard: this can damage boards. Please just screw 30%-50% until all the screws have been screwed into the holes.

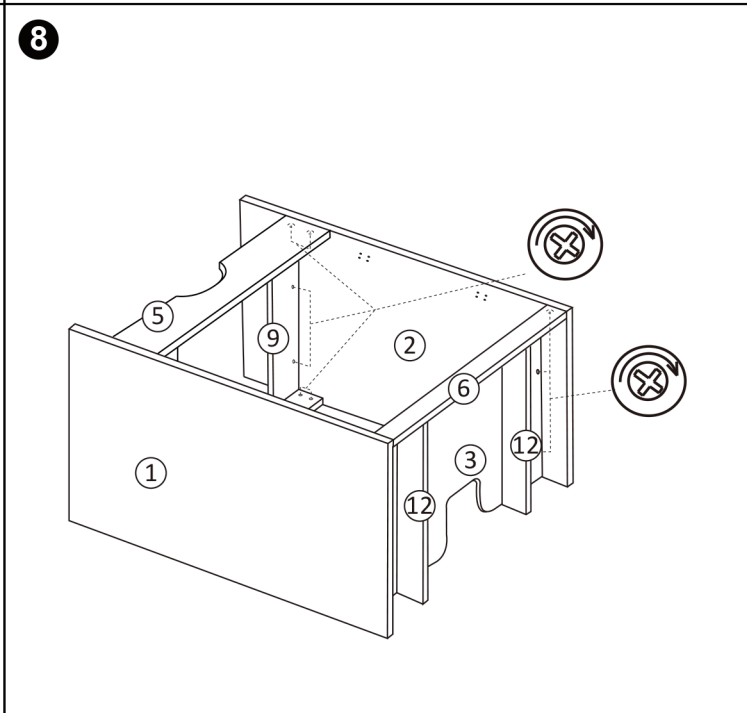
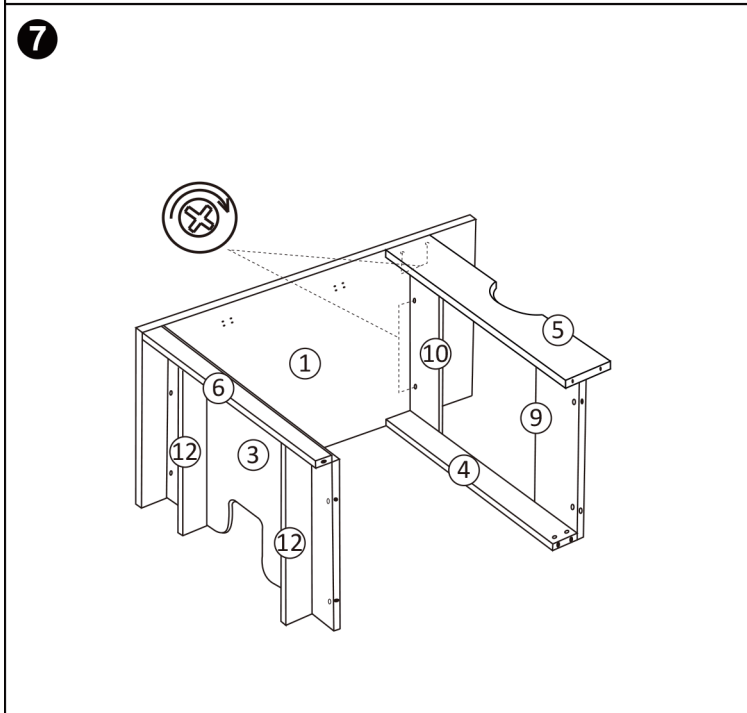
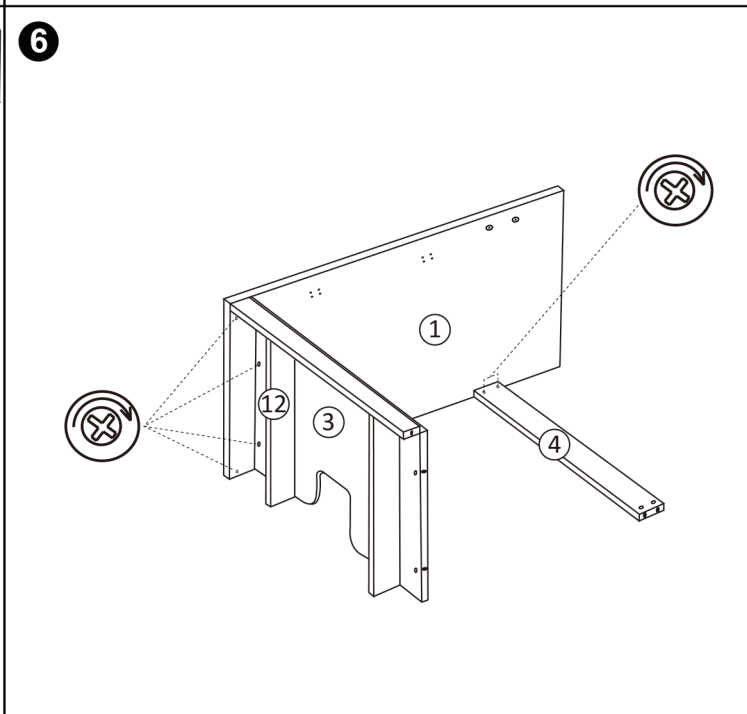
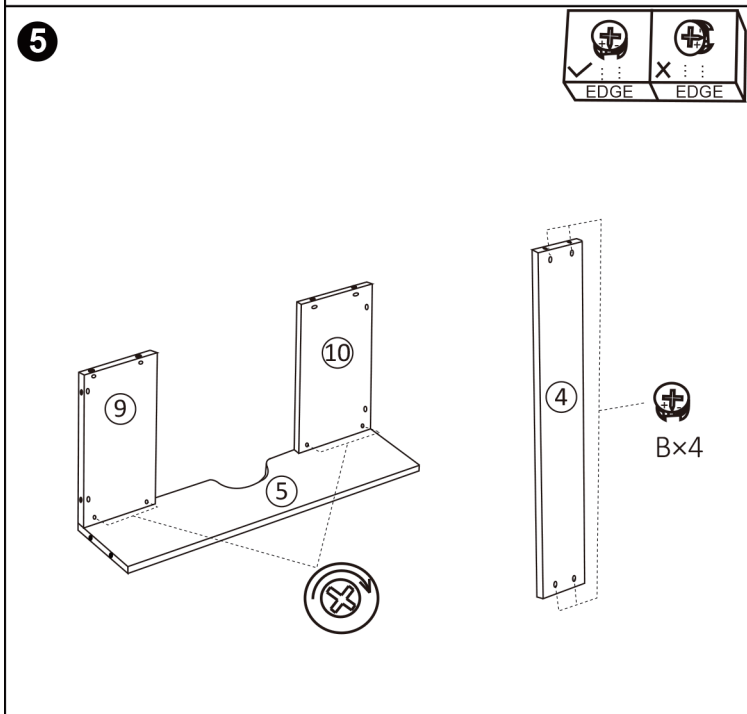
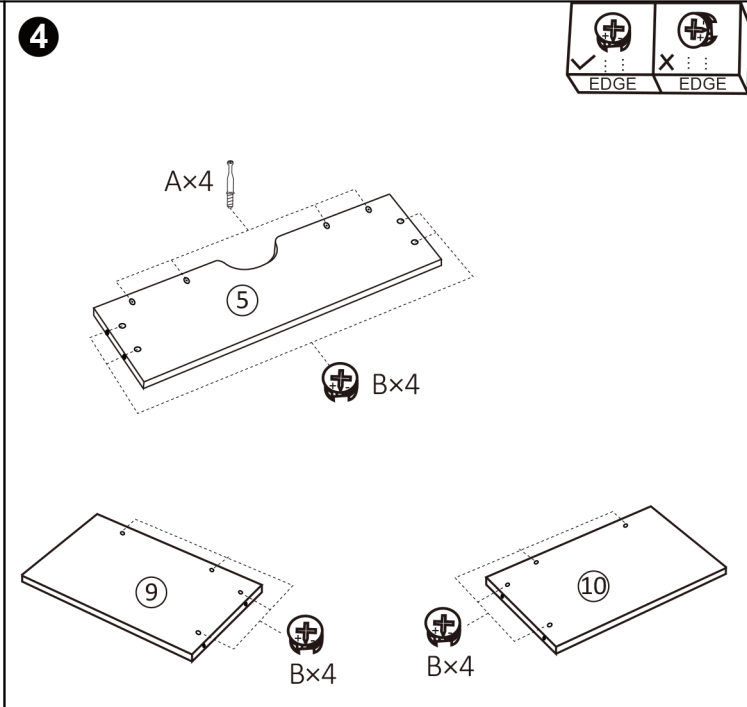
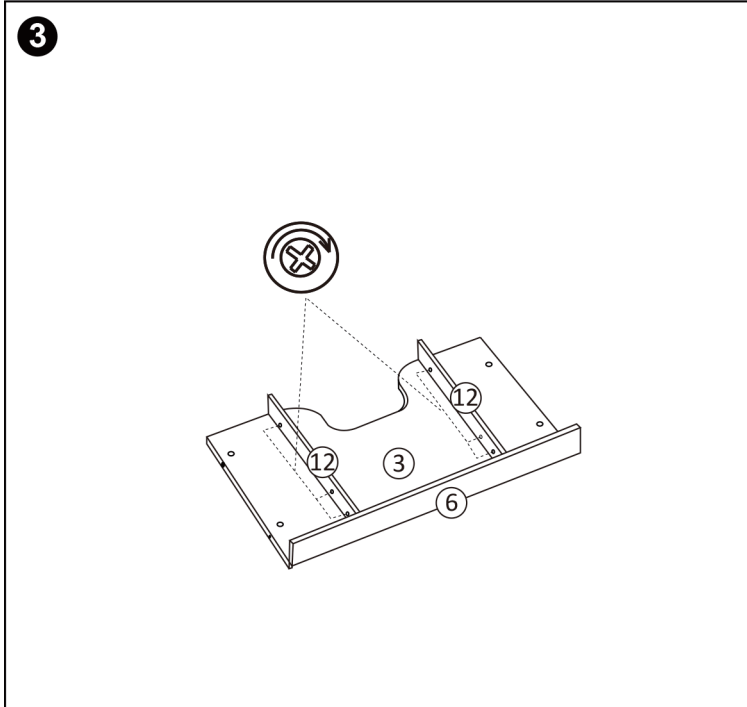


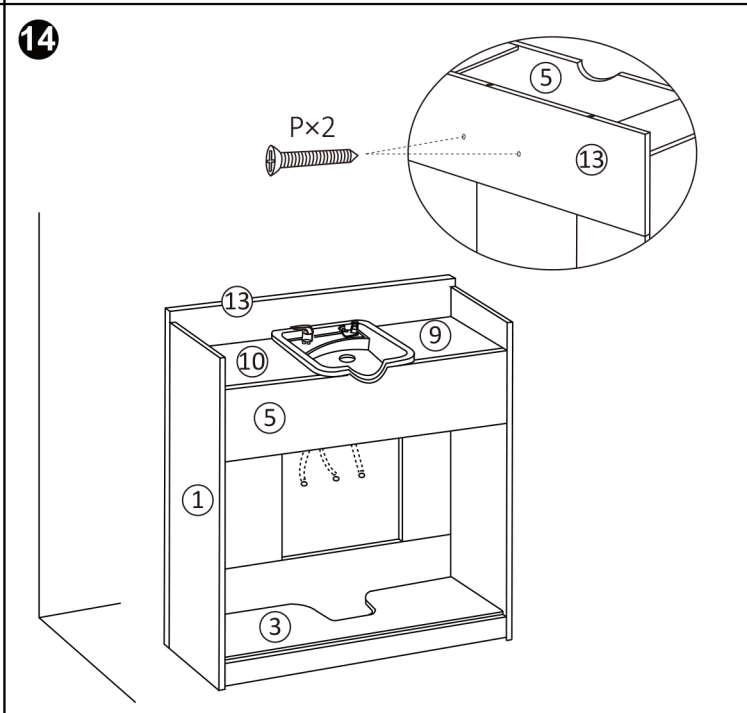
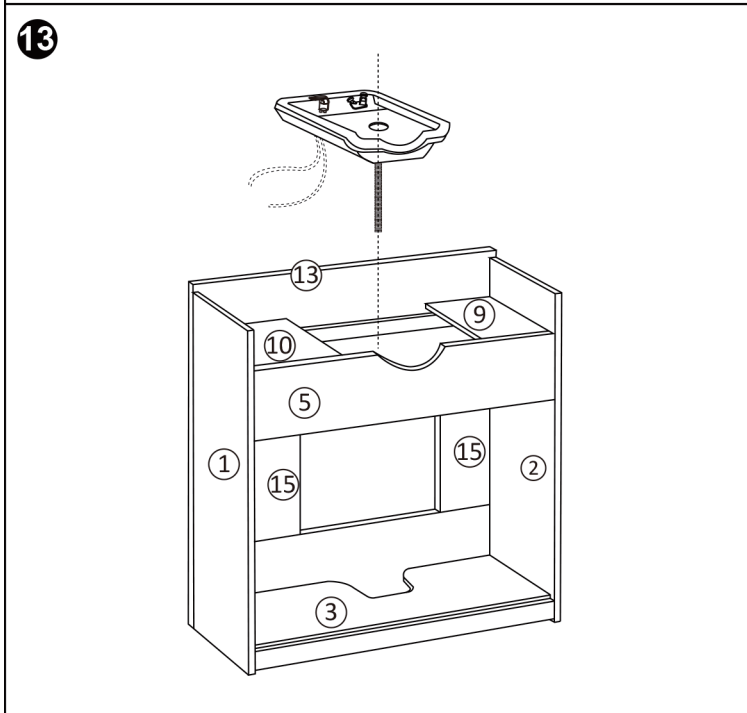
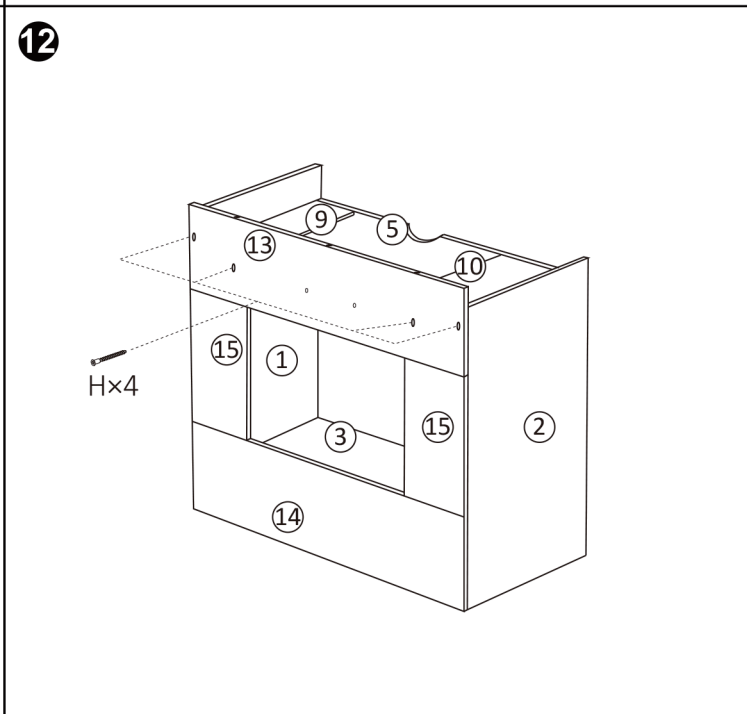
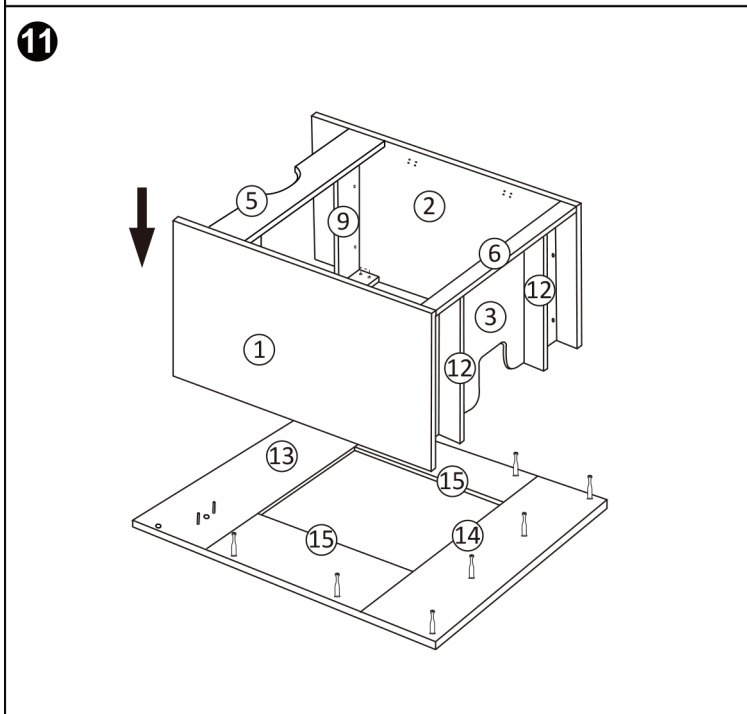
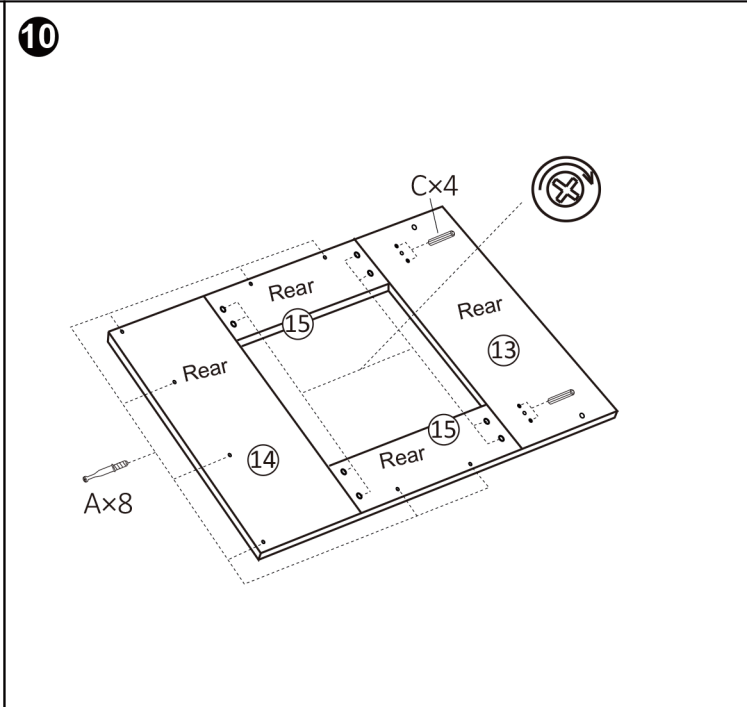
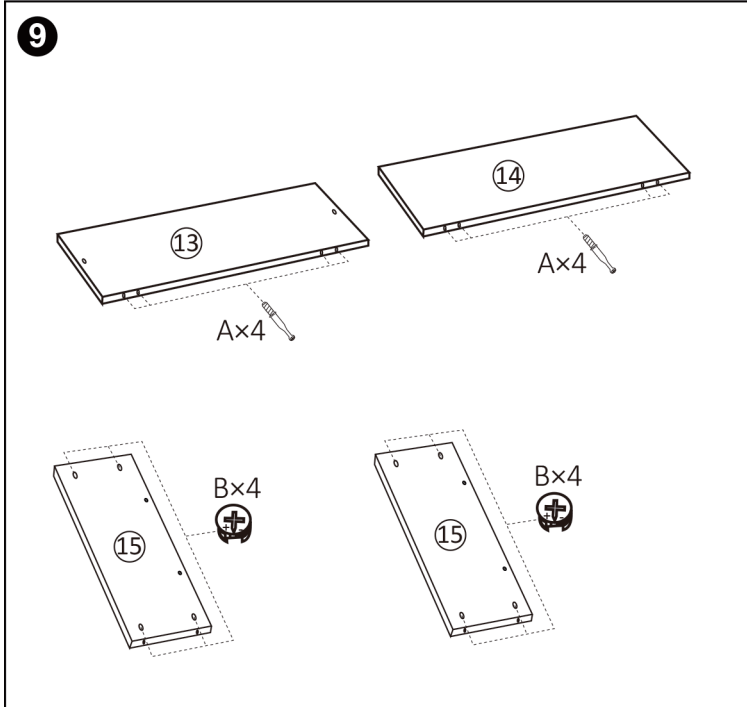
**6154-3130**

	890×458×16mm	1	①
	890×458×16mm	1	②
	768×140×16mm	1	③
	768×76×16mm	1	④
	768×172×16mm	1	⑤
	768×76×16mm	1	⑥
	537×382×16mm	1	⑦
	537×382×16mm	1	⑧

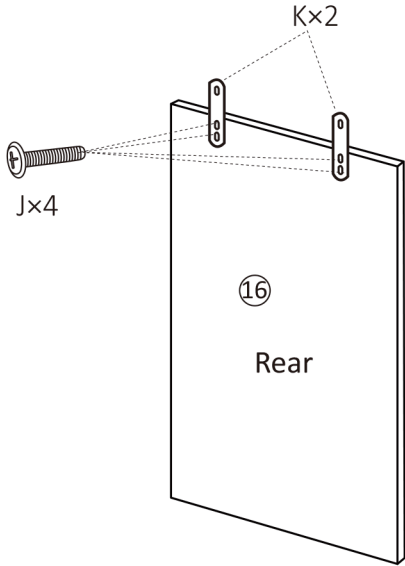
	440×186×16mm	1	⑨
	440×186×16mm	1	⑩
	843×460×16mm	1	⑪
	440×70×16mm	2	⑫
	803×225×16mm	1	⑬
	803×195×16mm	1	⑭
	484×195×16mm	2	⑮
	800×735×16mm	1	⑯





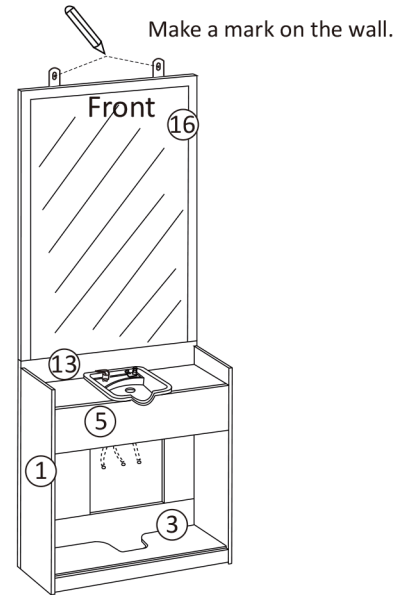


15



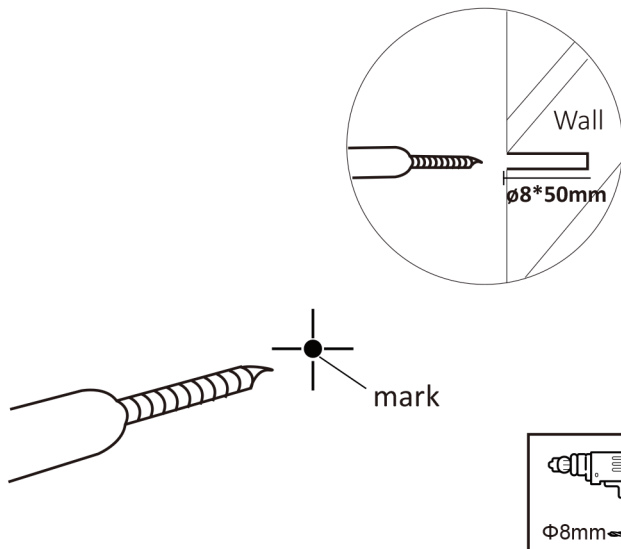
16

Put board 16 onto board 13, then lean board 16 against the wall and mark the wall as below image.

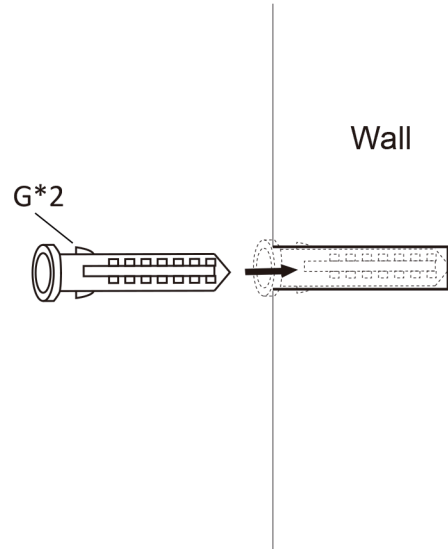


17

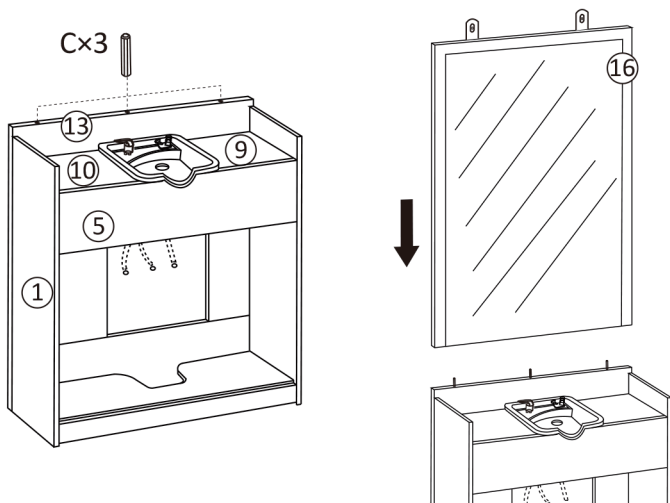
Drill into the wall.



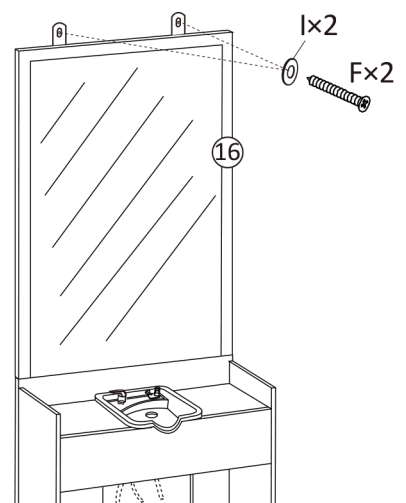
18

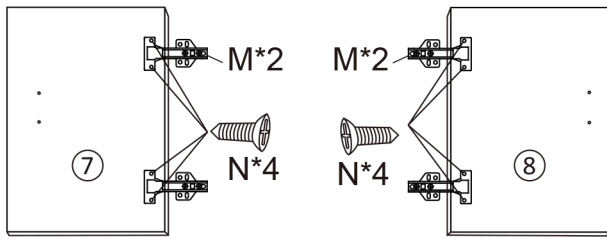
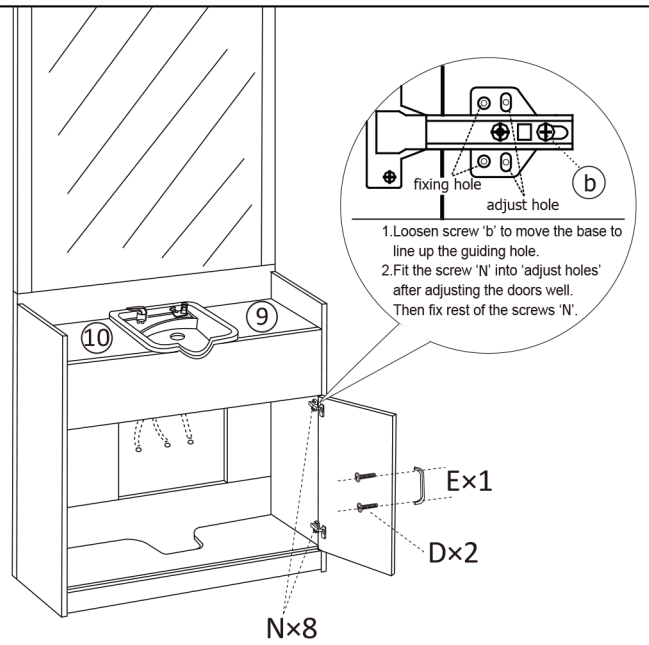
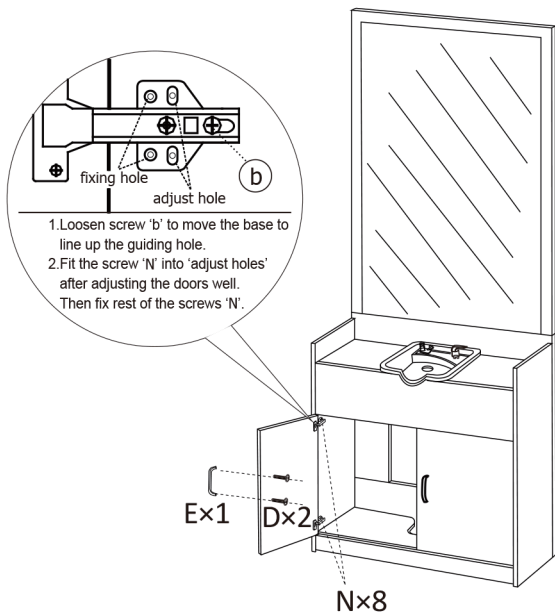


19

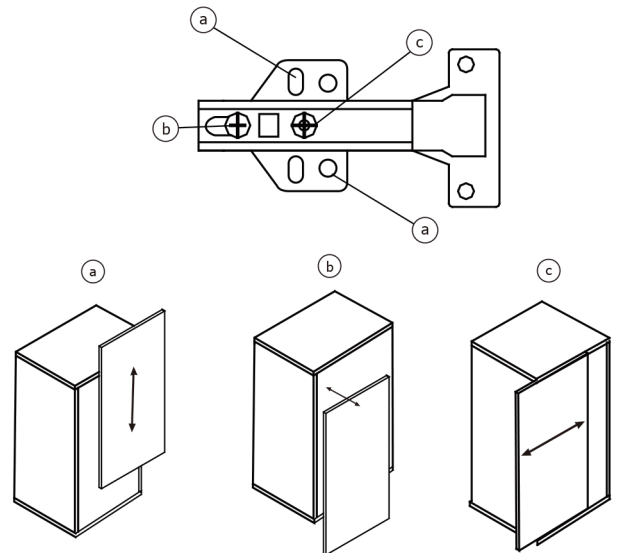
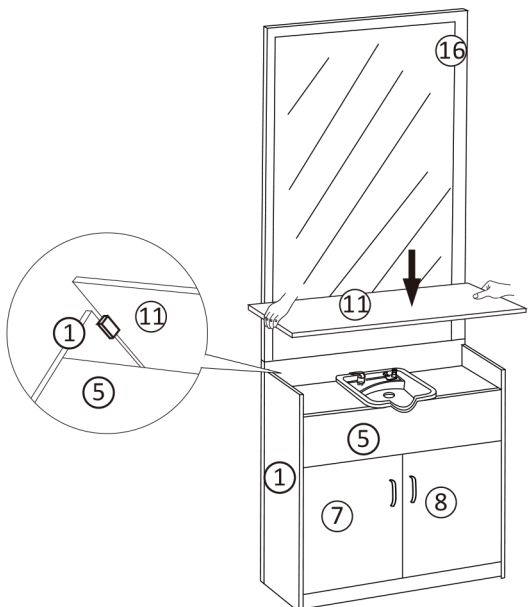


20



**21****22****23****24**

How to adjust the doors.

**25****26**