

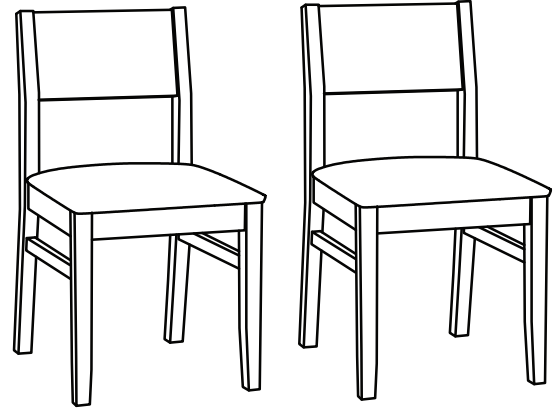
# BUSAN DINING CHAIR

ITEM NO.20-3884C

**NATURAL  
SIGNATURE**

## TIPS

- 1 Please review all parts and hardware before disposing of any packaging.
- 2 Check to be sure that all parts and hardware before you start to assembly.
- 3 Before beginning assembly, separate each type of screw.
- 4 Using a screw that is too long will cause damage.
- 5 Carefully study the screw diagrams below.
- 6 You may receive extra hardware with your unit.
- 7 Place all parts on a clean and smooth surface to avoid the parts from being stretched.
- 8 Keep the product away from heat and humidity.
- 9 Light blue stains and natural wood knots on the product are not considered defects.

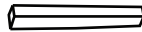


## PART LIST

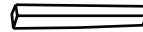
- A** Leg Frame  
2 Pcs



- B** Leg (L)  
2 Pcs



- C** Leg (R)  
2 Pcs



- D** Seat Cushion  
2 Pcs



- E** Stretcher (L)  
2 Pcs

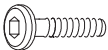


- F** Stretcher (R)  
2 Pcs

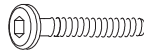


## HARDWARE LIST

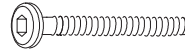
- G** JCBC M6 x 35MM  
6 Pcs



- H** JCBC M6 x 50MM  
8 Pcs



- I** JCBC M6 x 80MM  
8 Pcs



- J** SPRING WASHER  
22 Pcs



- K** FLAT WASHER  
22 Pcs



- L** CSK c/b screw M4 x 35MM  
4 Pcs



- M** CSK c/b screw M4 x 38MM  
8 Pcs

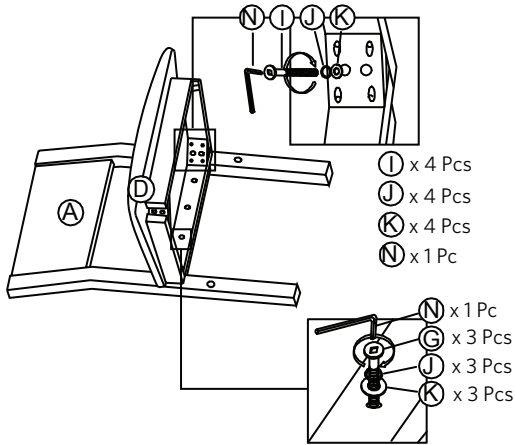


- N** Allen Key M4  
1Pc

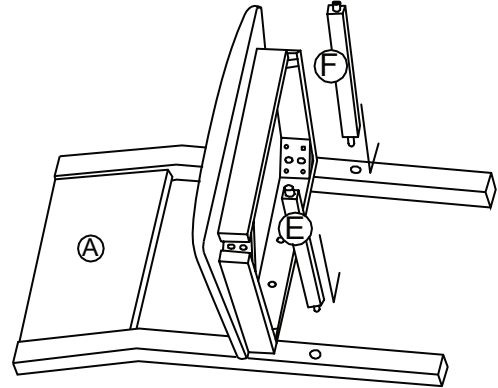


## ASSEMBLY INSTRUCTIONS

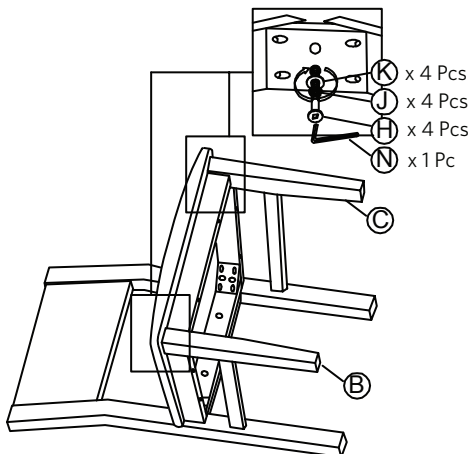
### 1 STEP 1



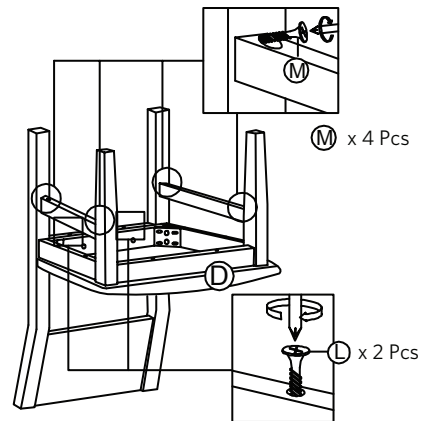
### 2 STEP 2



### 3 STEP 3



### 4 STEP 4



\*Please repeat Step 1 to Step 4 for second chair.

### 5 STEP 5

