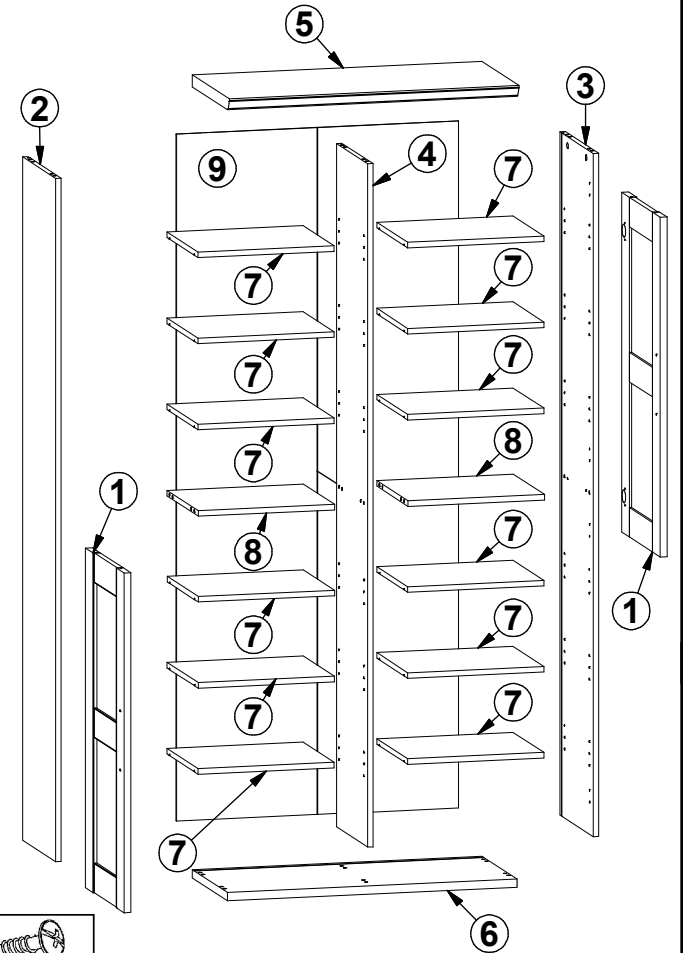
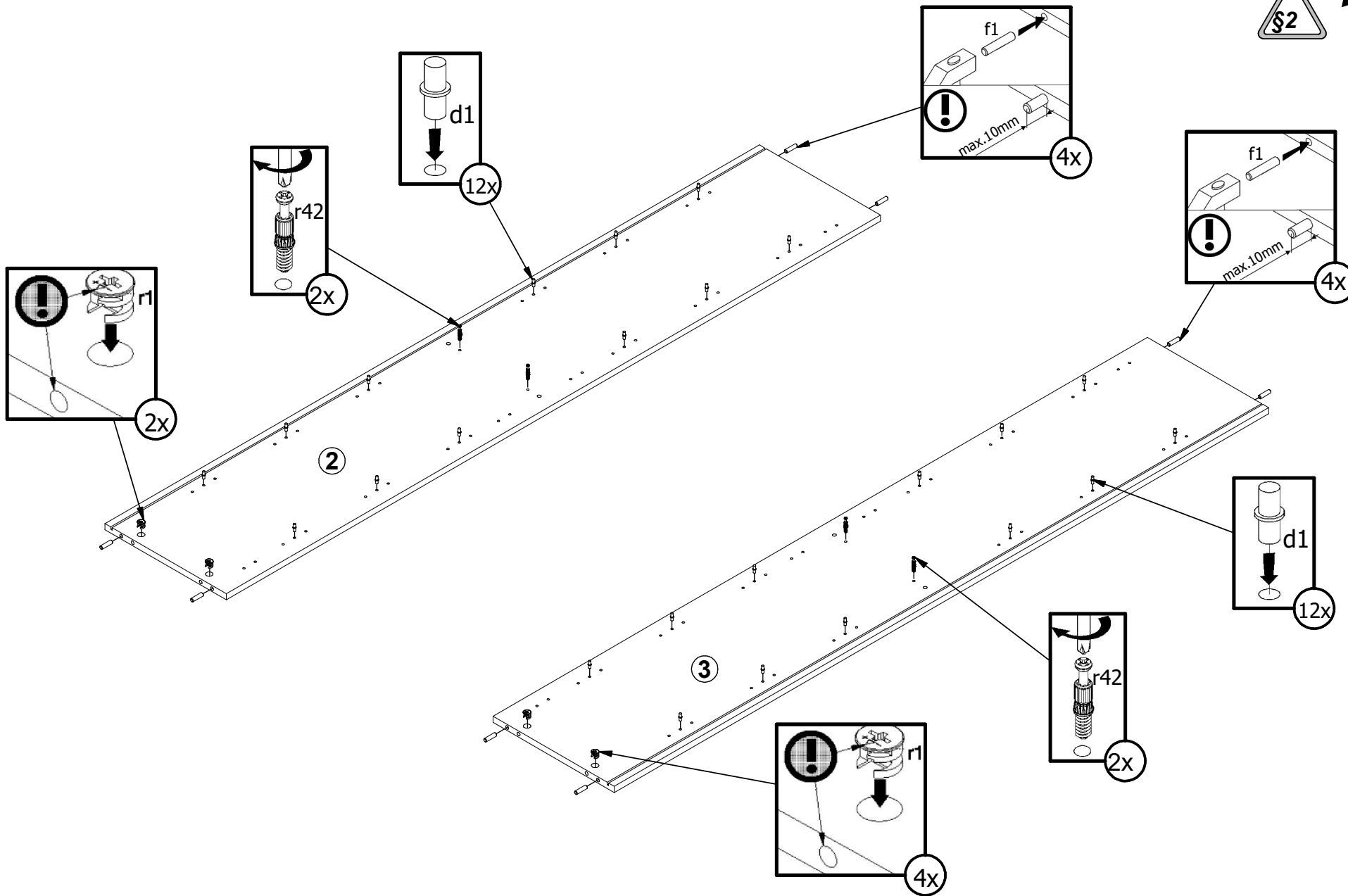
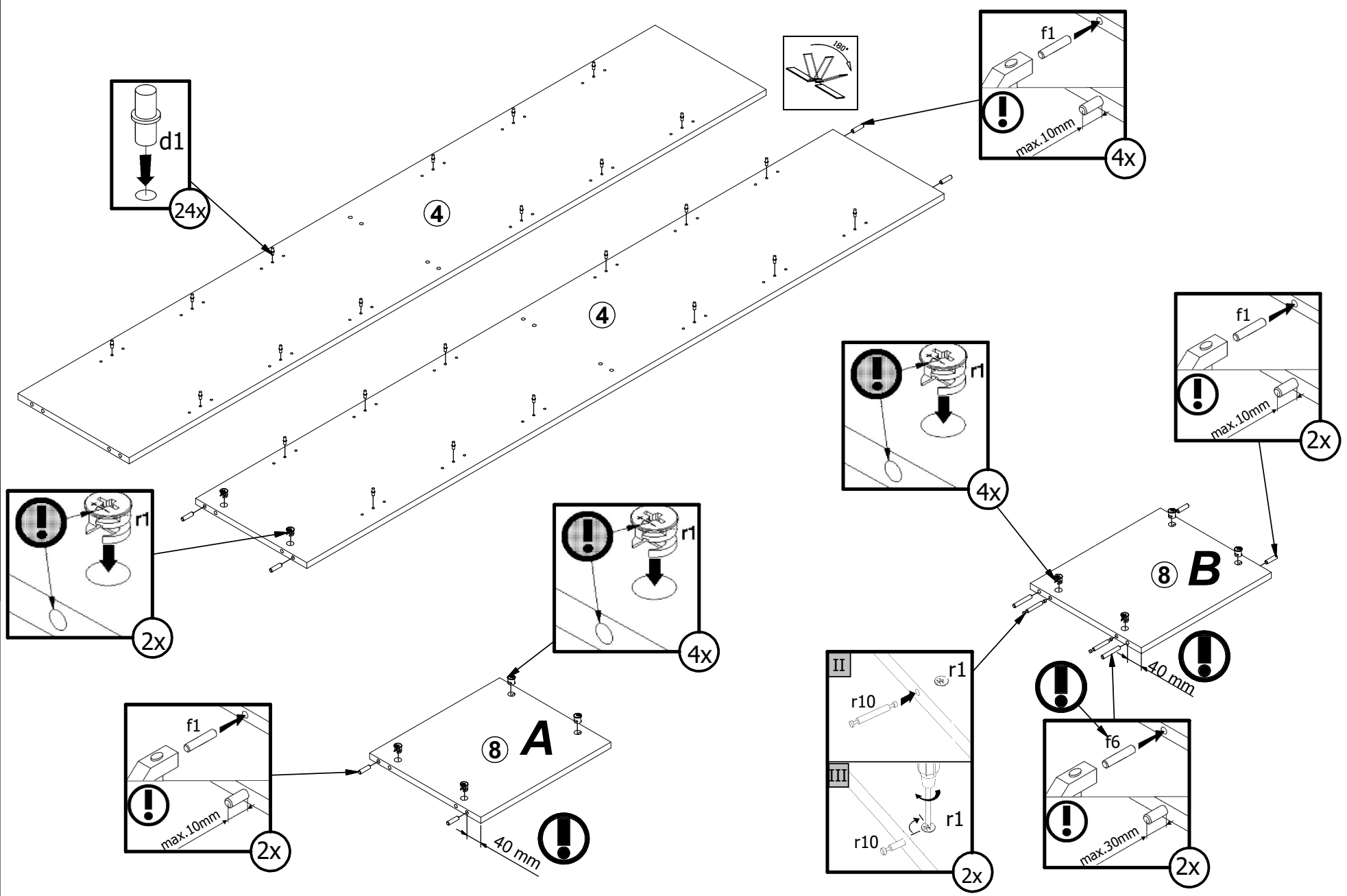


A	B	C1	C2	C3	D
1	S516-0003	918	396	19	3/3
2	S516-1010	1846	342	15	2/3
3	S516-1011	1846	342	15	2/3
4	S516-1012	1846	322	15	2/3
5	S516-2005	800	380	32	1/3
6	S516-2006	800	365	22	1/3
7	S516-3004	376	320	15	1/3
8	S516-3005	377	322	15	2/3
9	S516-9304	1856	779	2.5	2/3

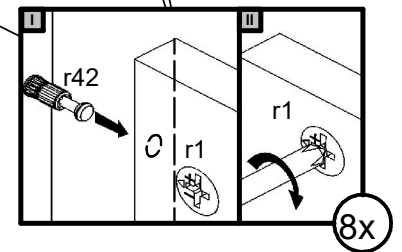
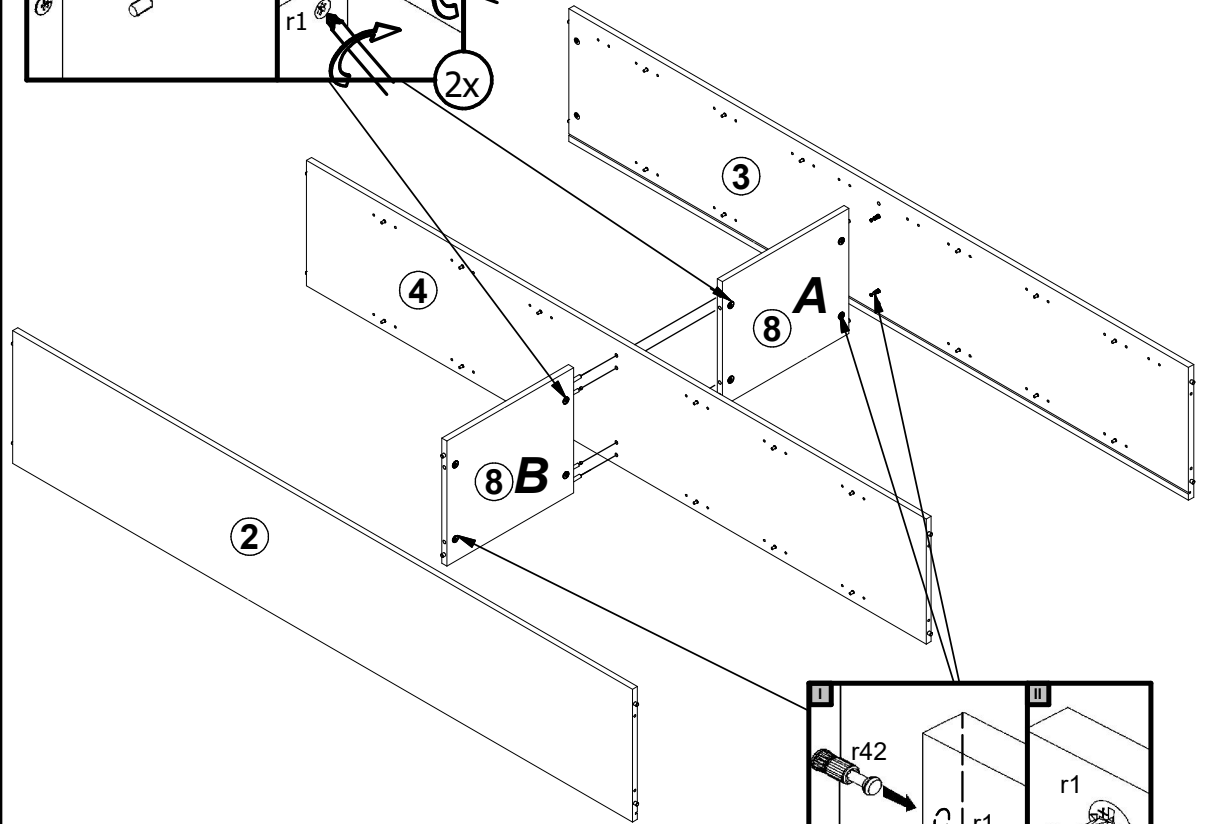
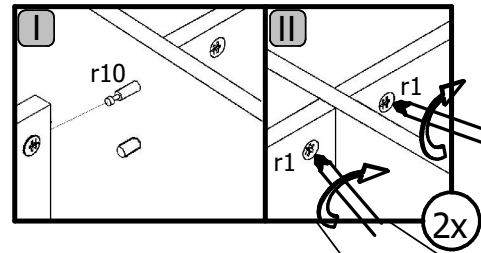
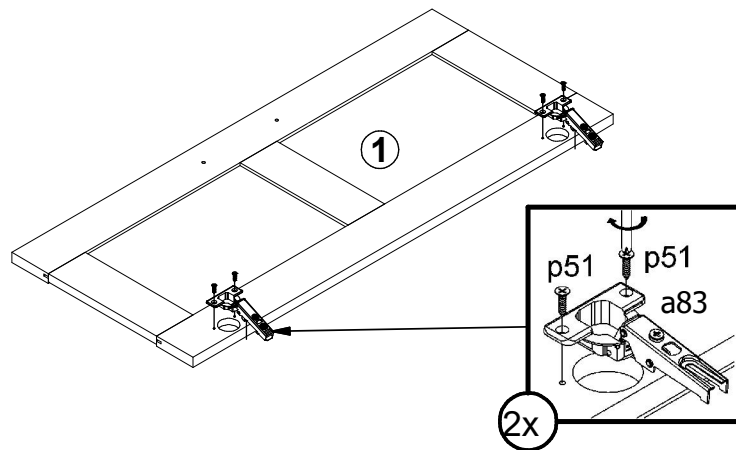
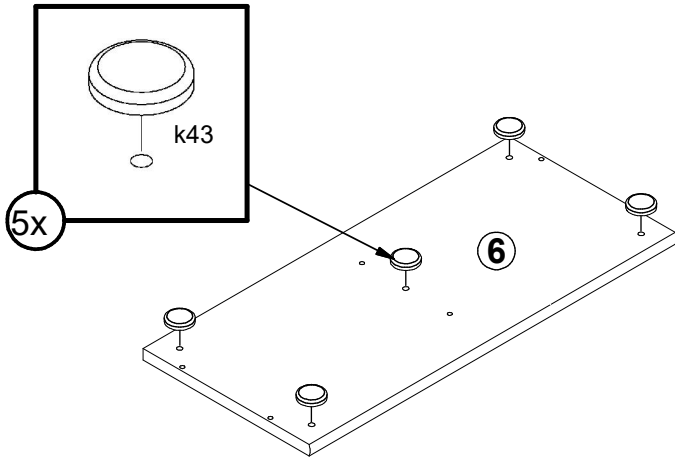
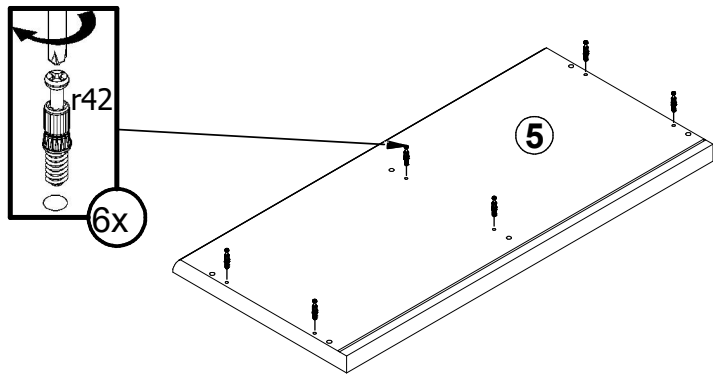






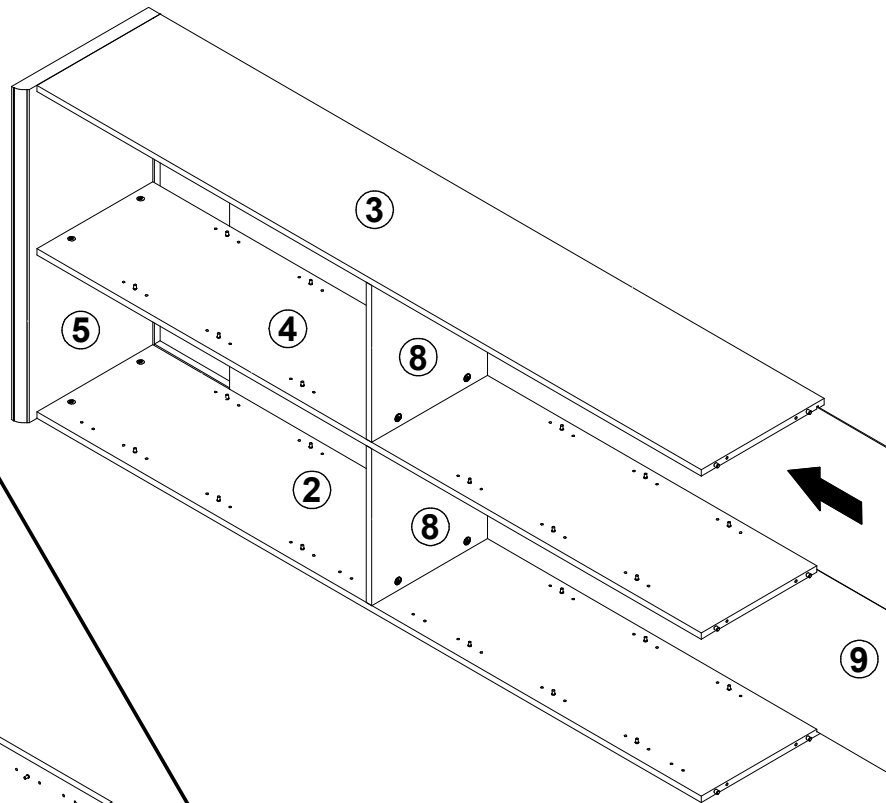
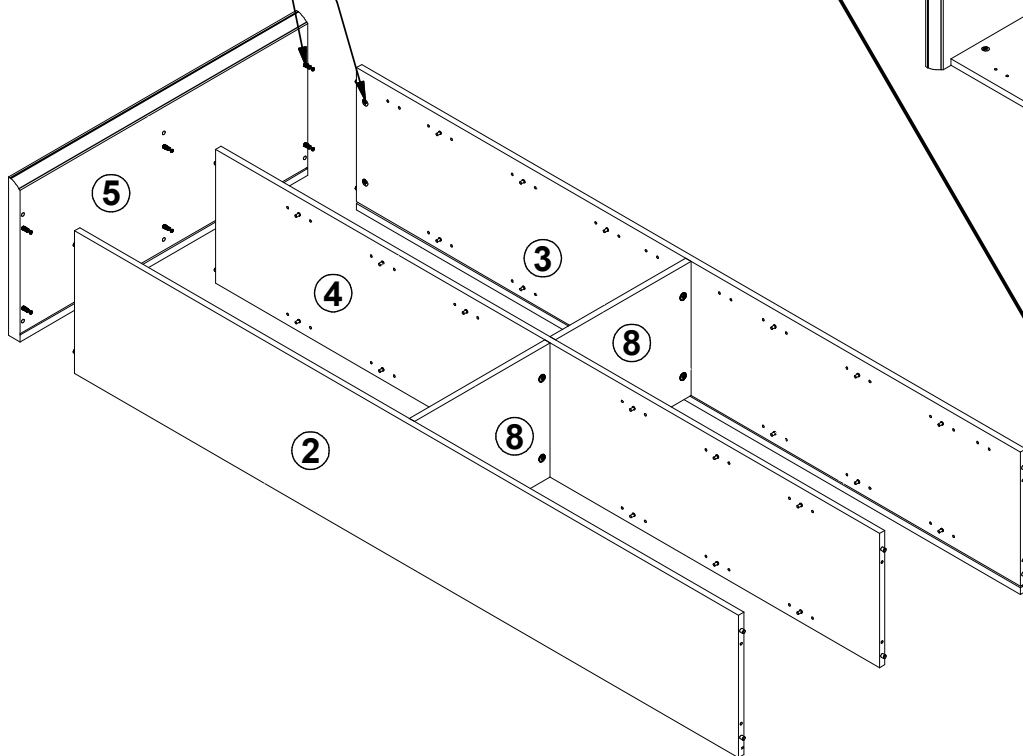
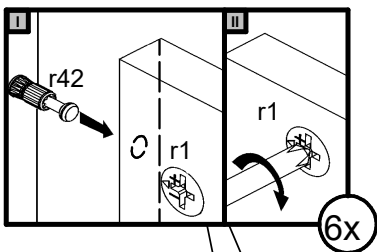
A**S516-REG2D/19/8****70-017**

4 / 8

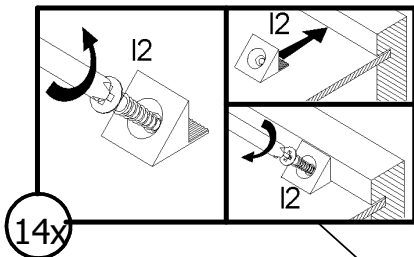
2

3

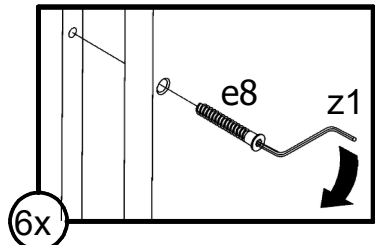
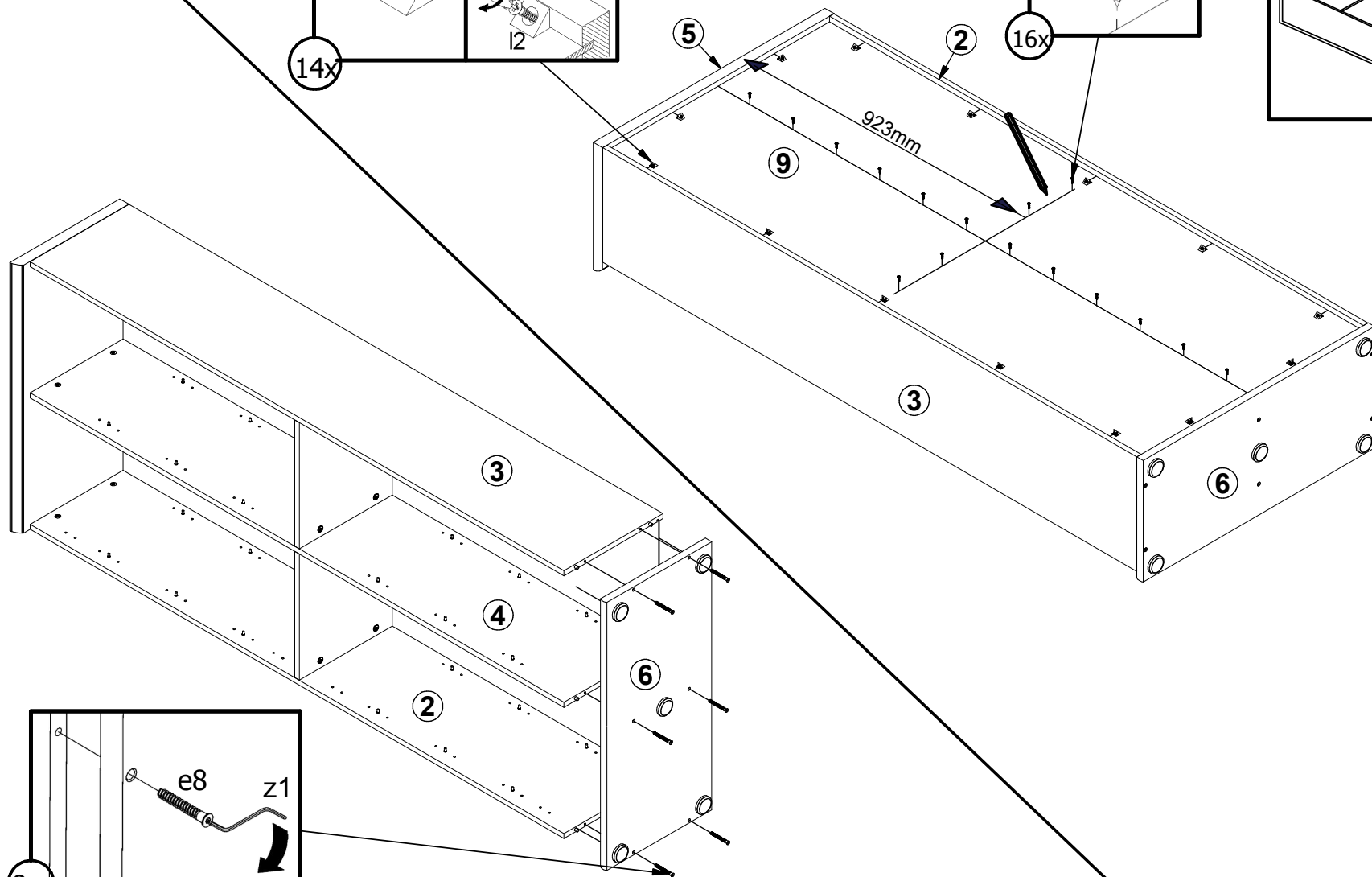
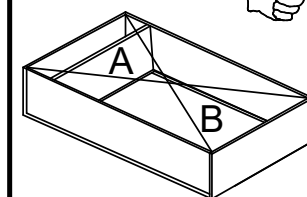
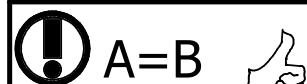
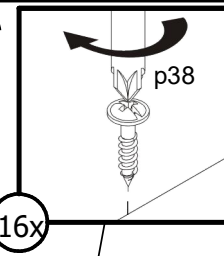
4



5



6



7

