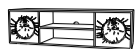

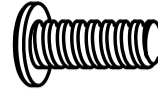





A  **x1**

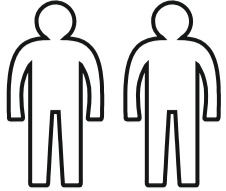
B  **x4**

C  (06x16mm) (12PCs)

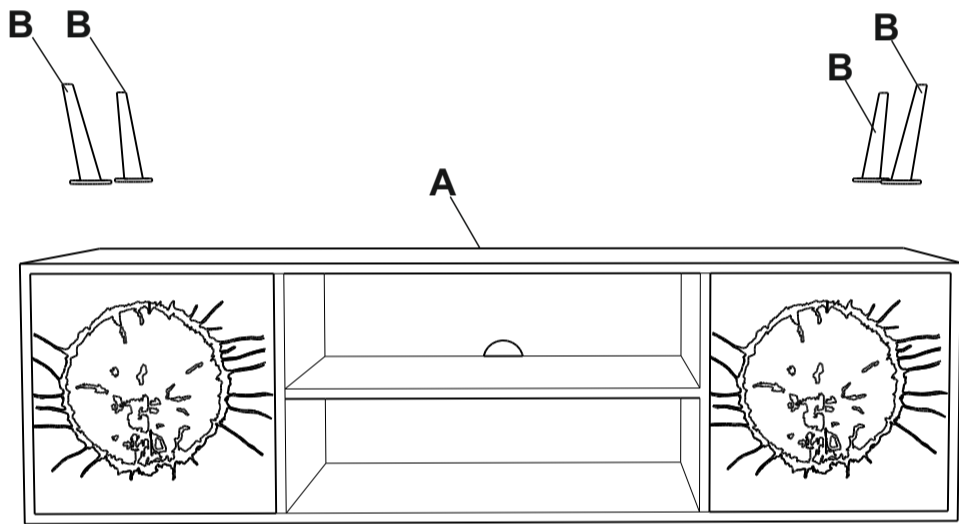
D  (20x8mm) (12PCs)

E  (04mm) (01PC)

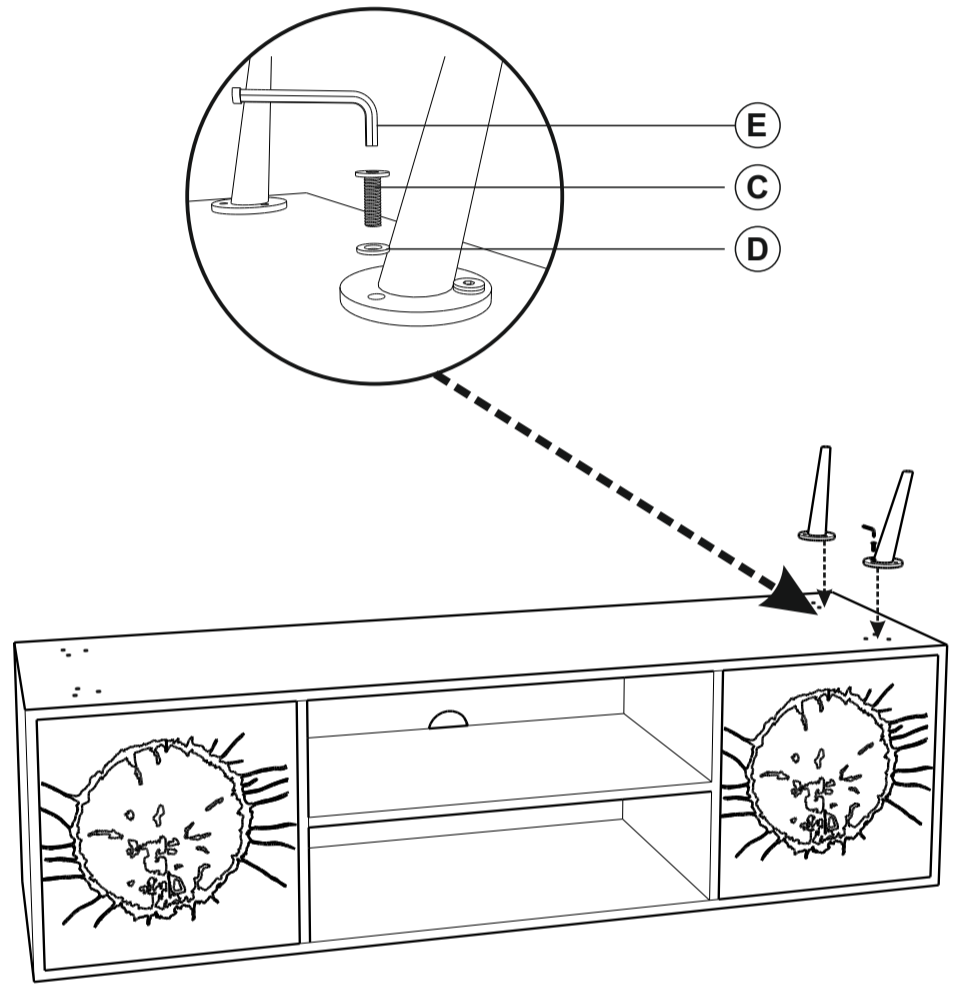




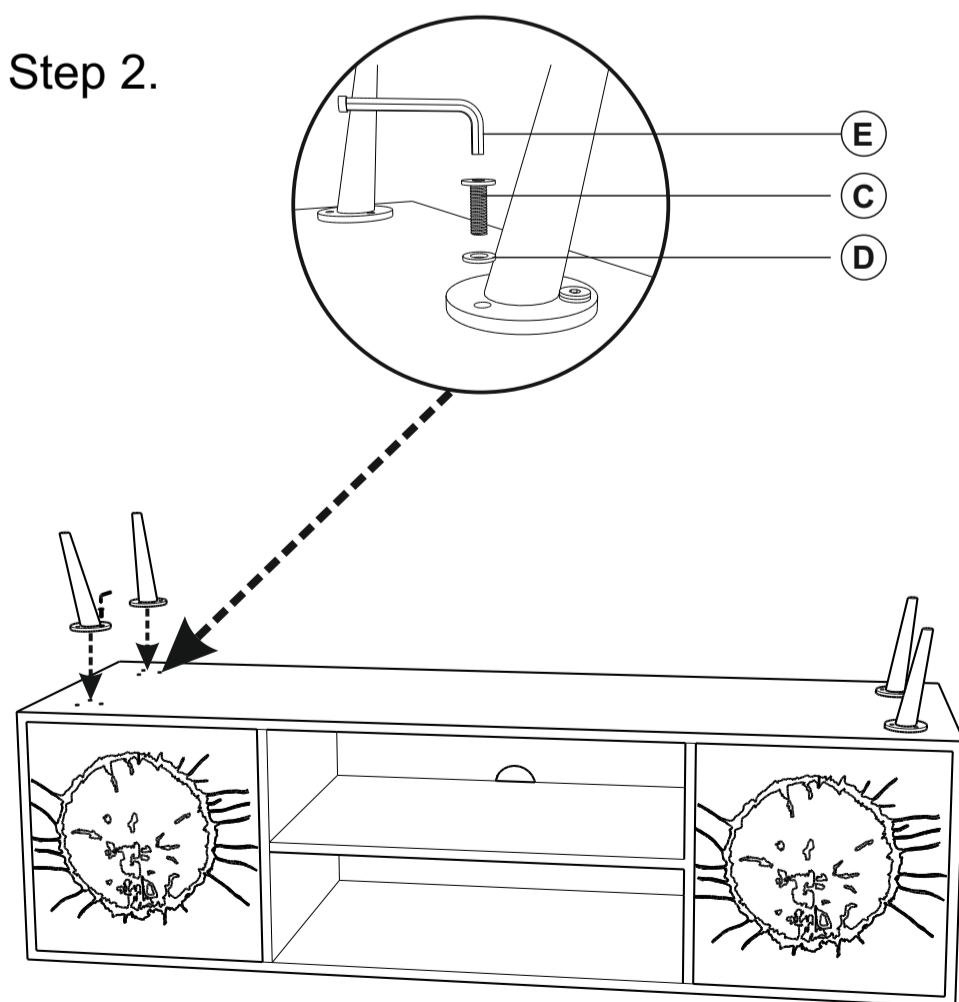
PARTS



Step 1.



Step 2.



Finish.

