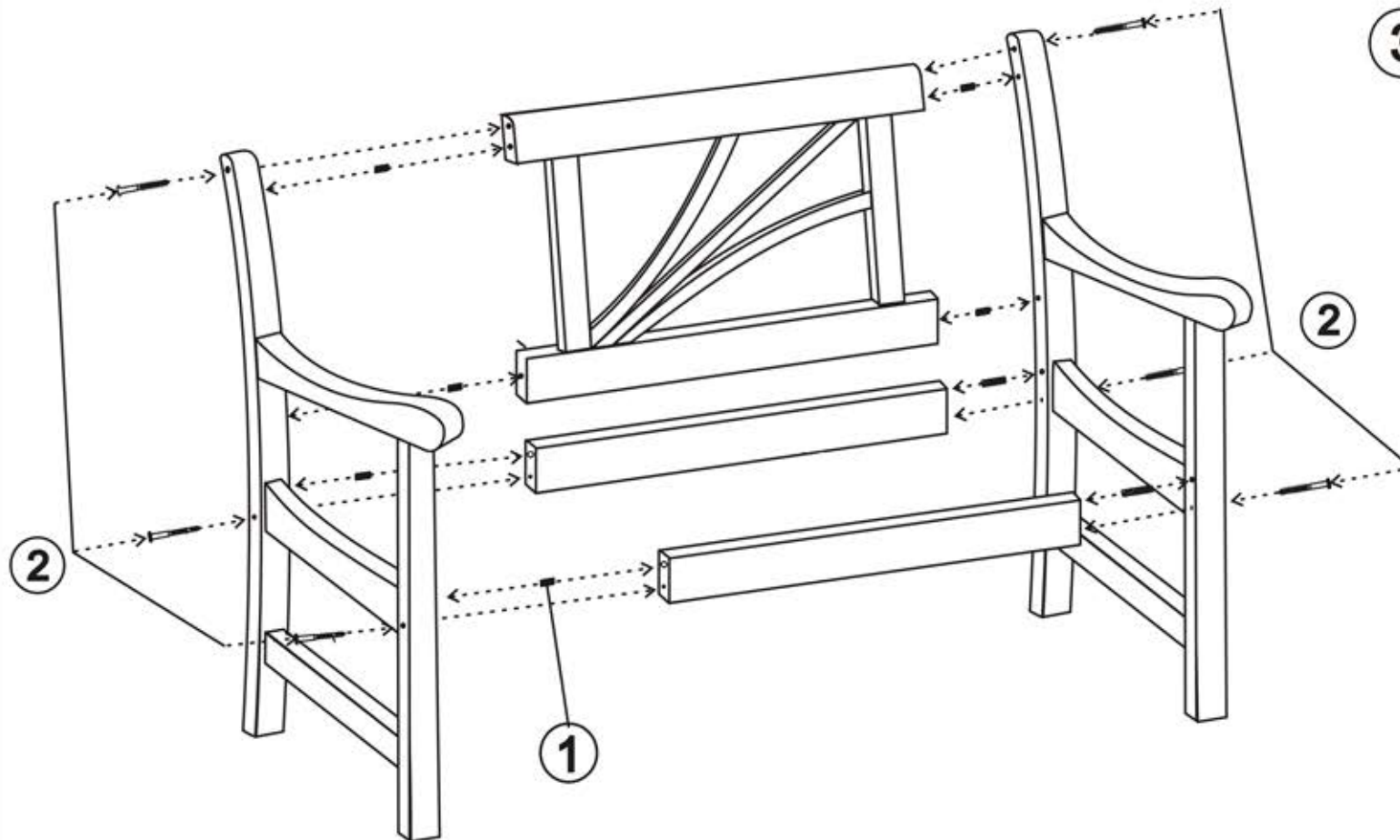
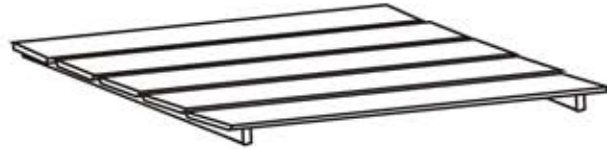


ASSEMBLY INSTRUCTION



1



(Ø 10 x 40) mm x 8 Pcs

2



(M7 x 90) mm x 6 Pcs

3



1 Pce