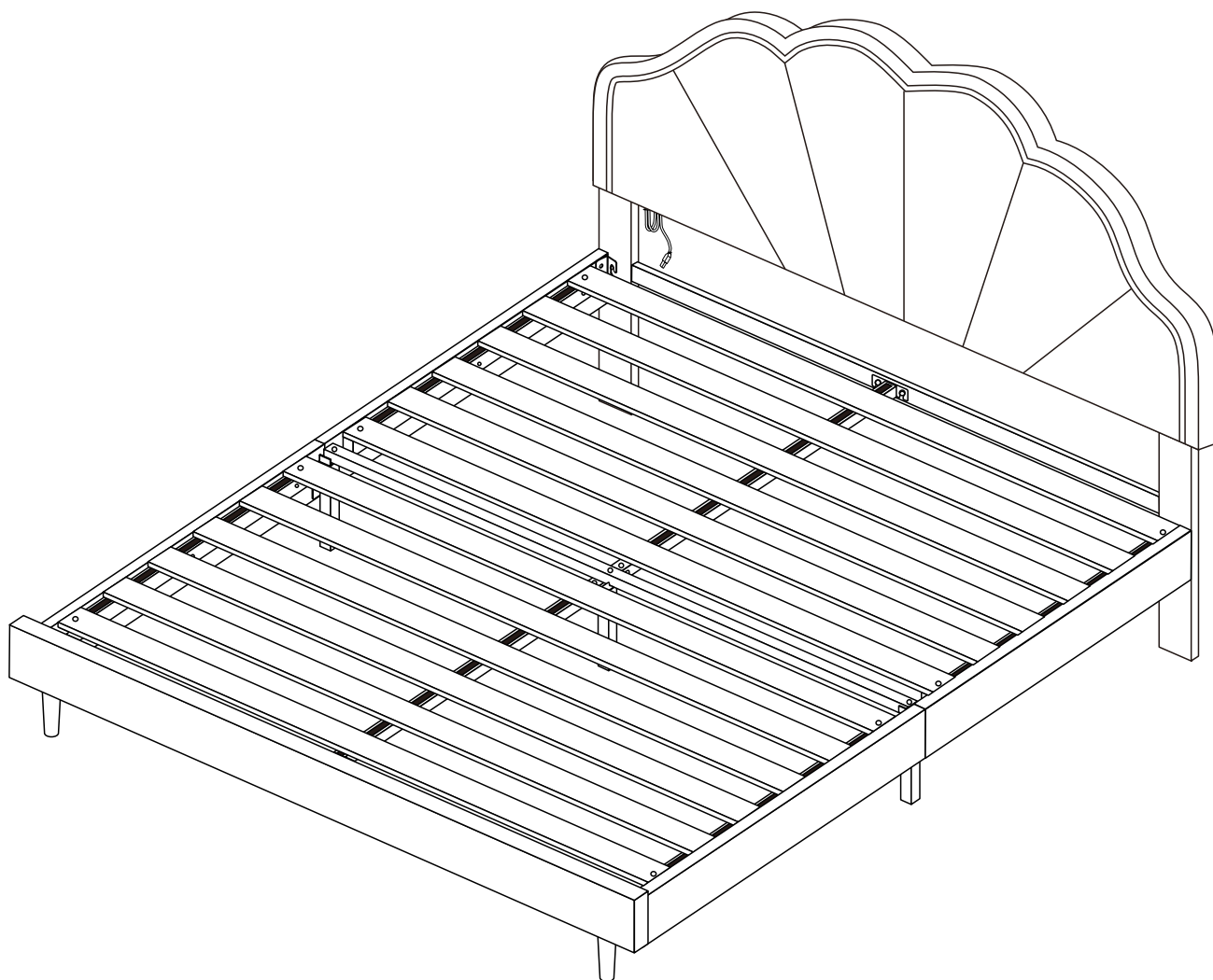
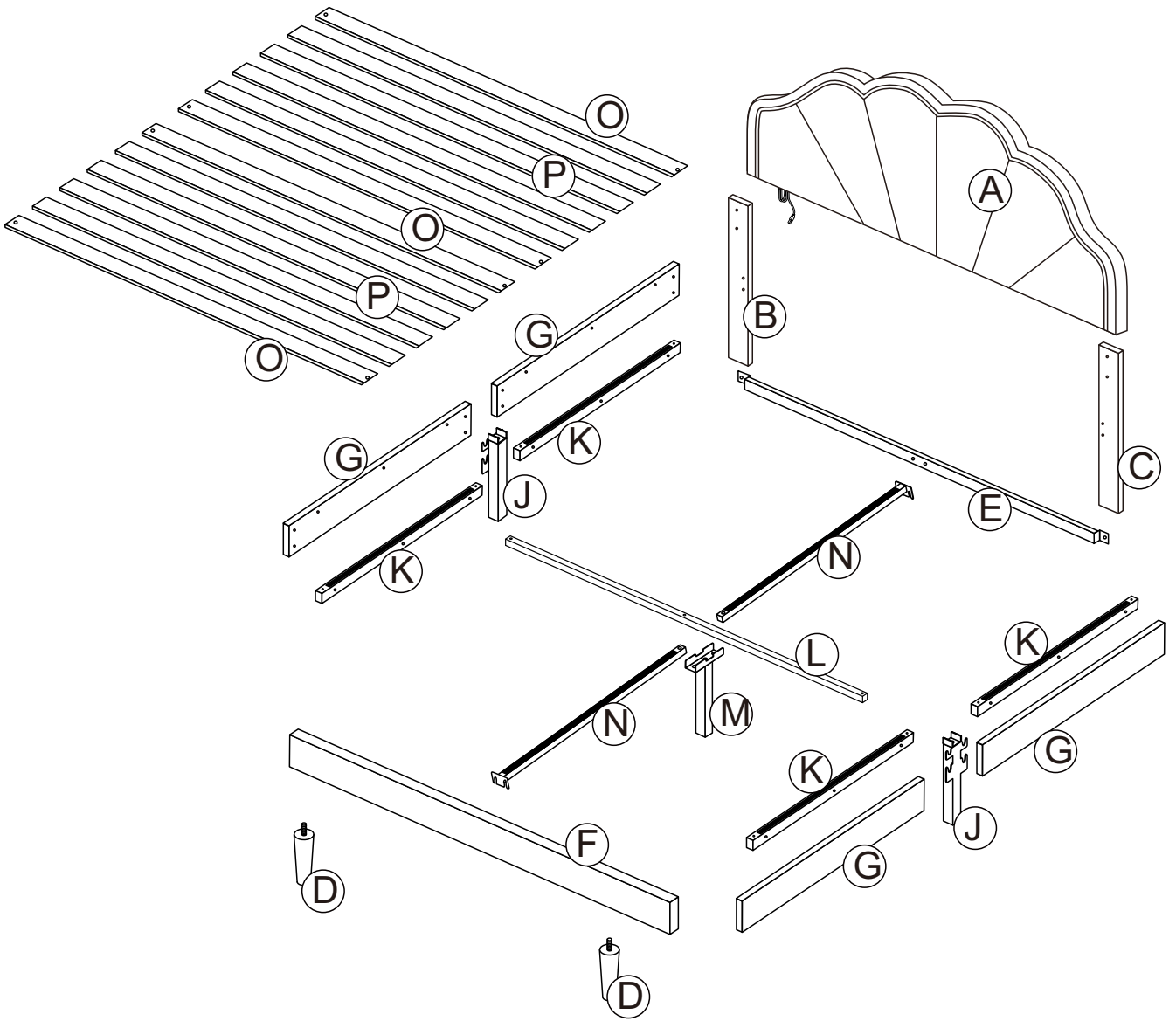


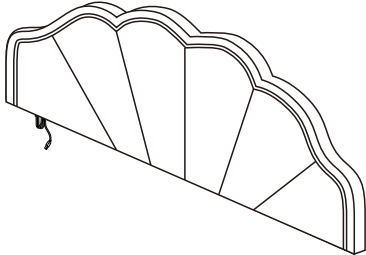



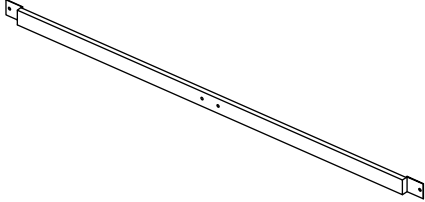

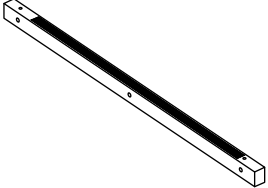
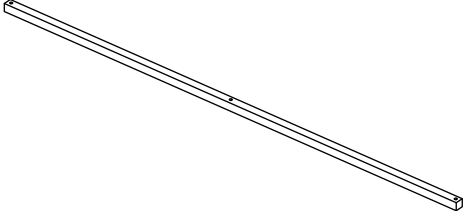
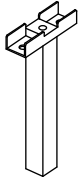
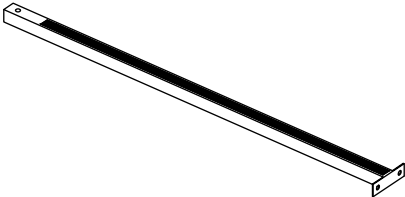
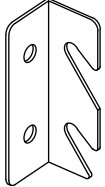
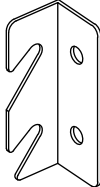

# Assembly Instruction



**BED FRAME**

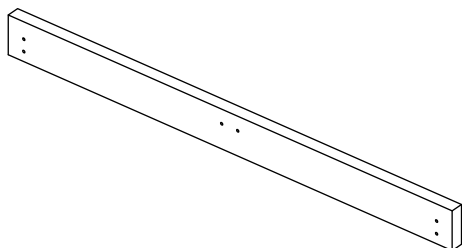


# Parts List for WF312524

<p><b>A</b></p>  <p>1PC</p>	<p><b>B</b></p>  <p>1PC</p>
<p><b>C</b></p>  <p>1PC</p>	<p><b>D</b></p>  <p>2PCS</p>
<p><b>E</b></p>  <p>1PC</p>	<p><b>J</b></p>  <p>2PCS</p>
<p><b>K</b></p>  <p>4PCS</p>	<p><b>L</b></p>  <p>1PC</p>
<p><b>M</b></p>  <p>1PC</p>	<p><b>N</b></p>  <p>2PCS</p>
<p><b>V1</b></p>  <p>2PCS</p>	<p><b>V2</b></p>  <p>2PCS</p>
<p><b>S</b></p>  <p>1PC</p>	

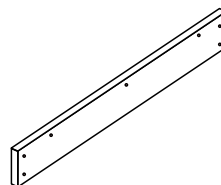
# Parts List for WF312525

F



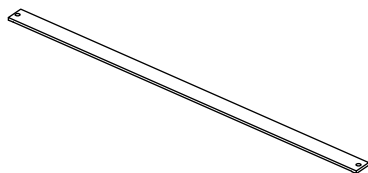
1PC

G



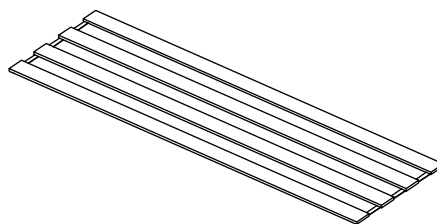
4PCS

O



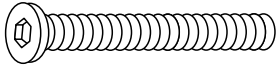
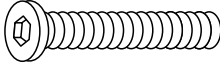

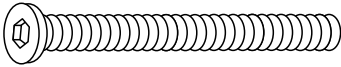





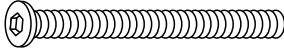
4PCS

P



2PCS

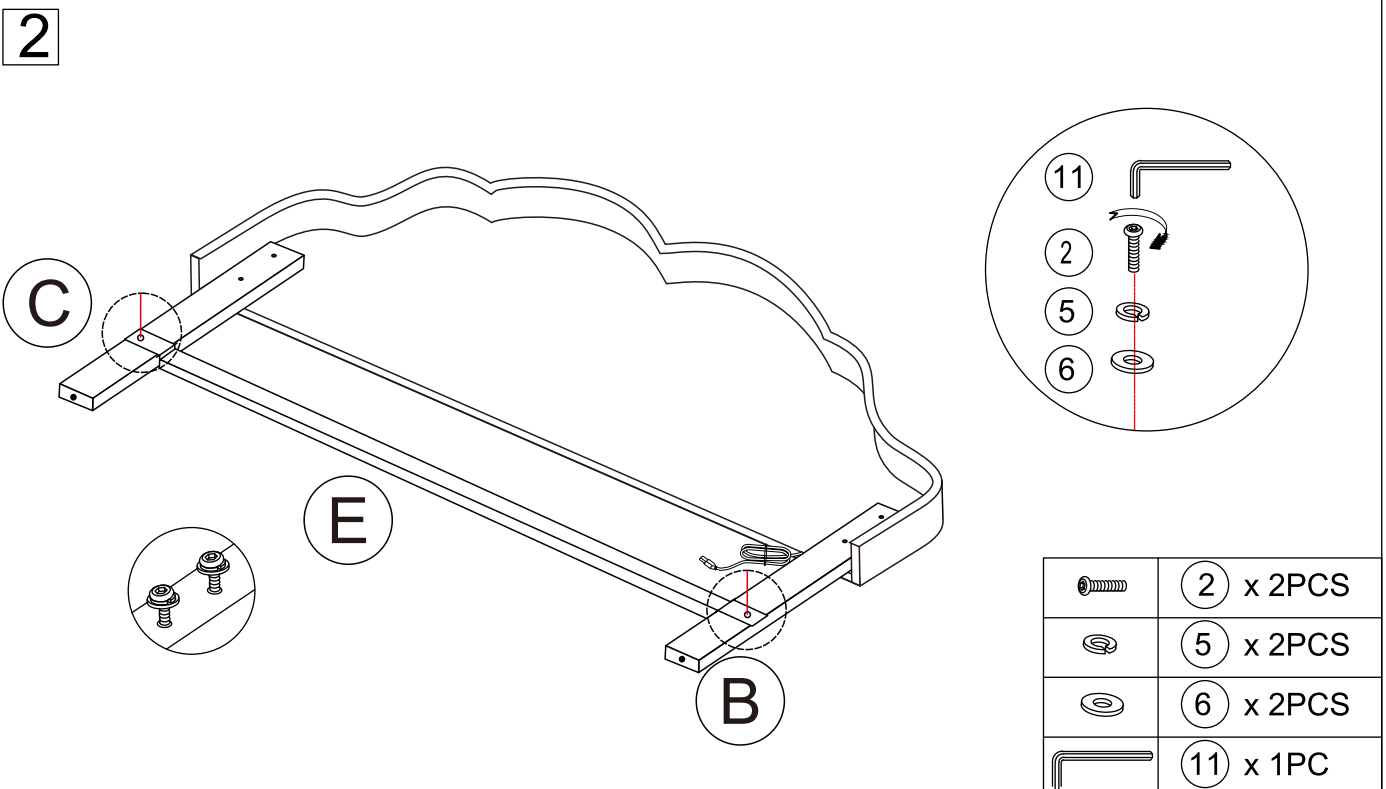
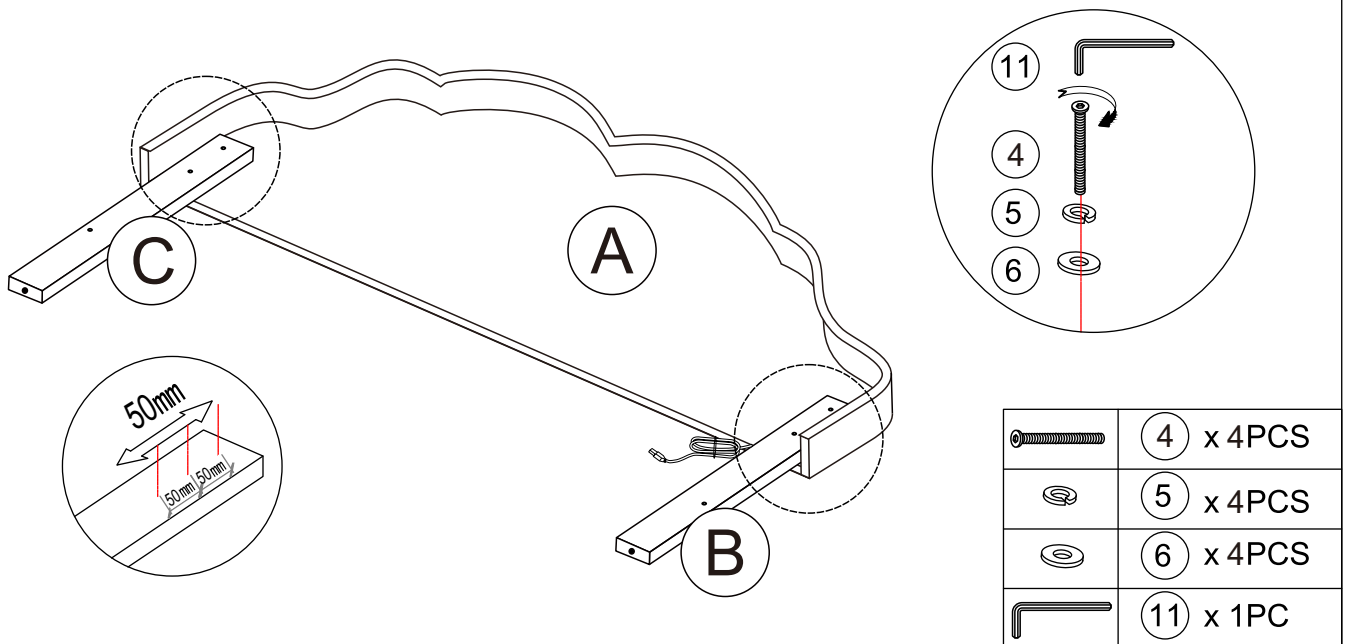
# Parts List for WF312524

<p>①</p>  <p>M8*40mm</p> <p>4PCS</p>	<p>②</p>  <p>M8*30mm</p> <p>10PCS</p>
<p>③</p>  <p>M8*20mm</p> <p>20PCS</p>	<p>④</p>  <p>M8*50mm</p> <p>5PCS</p>
<p>⑤</p>  <p>M8</p> <p>30PCS</p>	<p>⑥</p>  <p>Ø19mm</p> <p>30PCS</p>
<p>⑦</p>  <p>M6*25mm</p> <p>8PCS</p>	<p>⑩</p>  <p>M4</p> <p>1PC</p>
<p>⑪</p>  <p>M5</p> <p>1PC</p>	<p>⑫</p>  <p>M6*40mm</p> <p>12PCS</p>

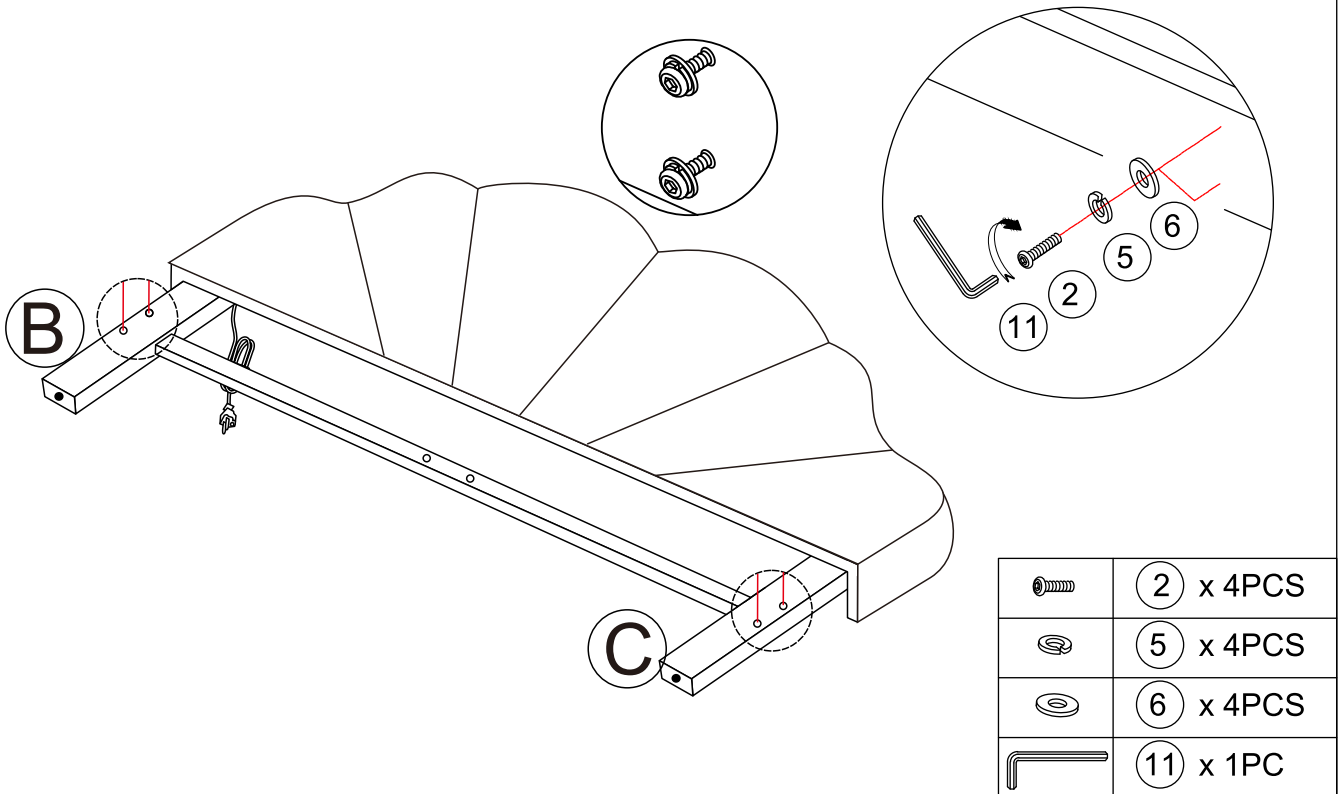
# Installation Steps

Before your installation, please make sure that you have all the parts listed in the manual. If you find something missing please do not hesitate in contacting us.

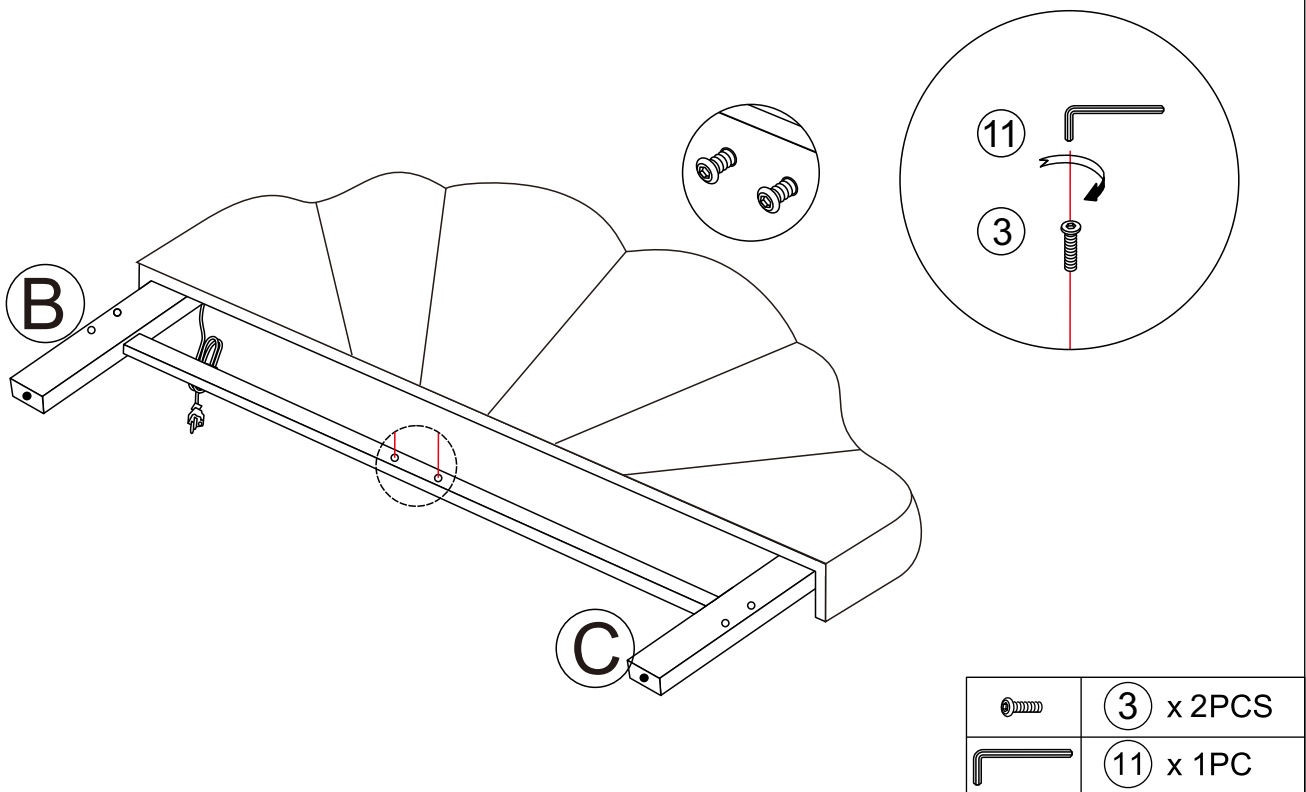
- 1** TIP:  
The total Height of BED HEAD could be 100CM or 105cm,  
the distance of hole site that you can choose.



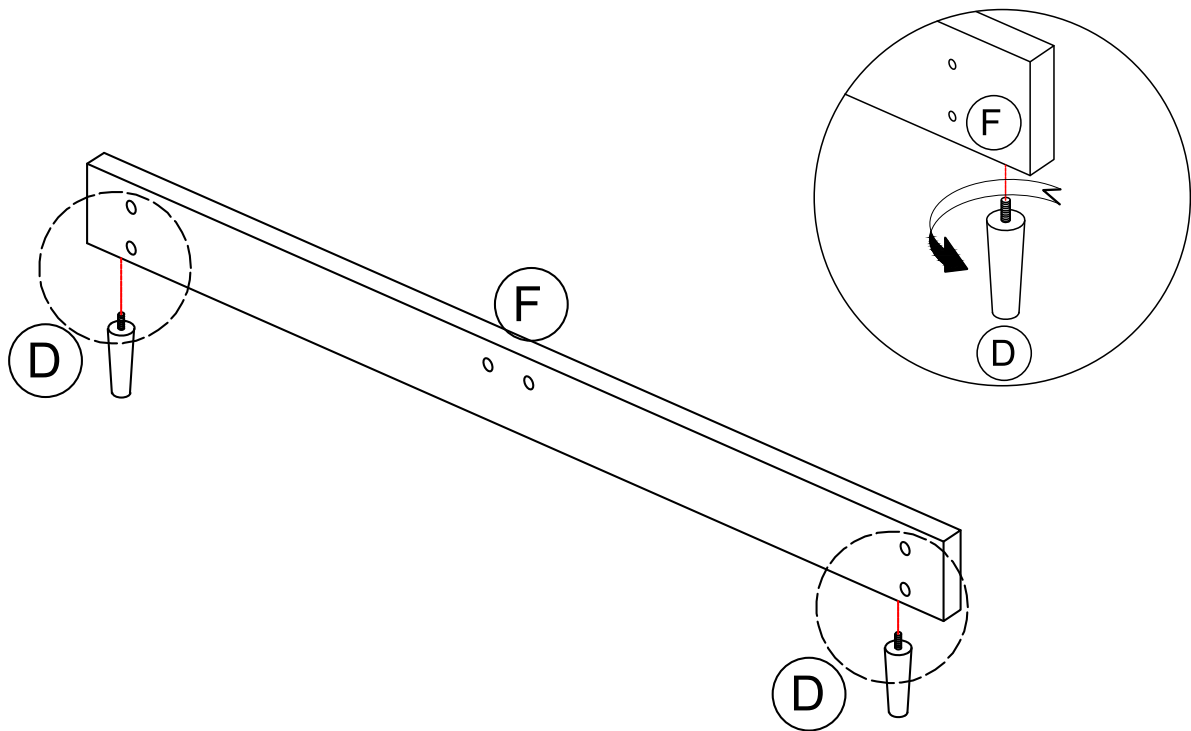
**3** TIP:  
Please do not lock tightly the screws on this step,  
only lock in the half as the picture.



**4** TIP:  
Please do not lock tightly the screws on this step,  
only lock in the half as the picture.

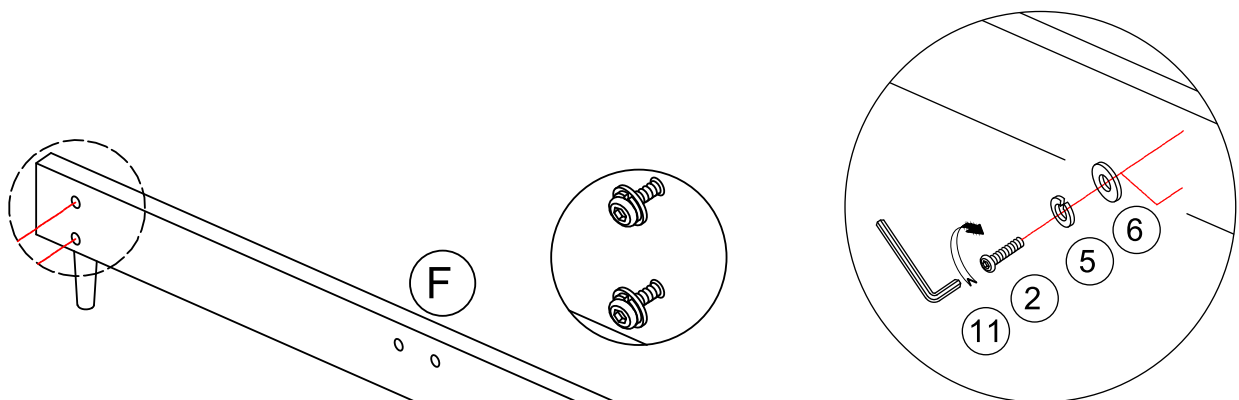






5



6

TIP:  
Please do not lock tightly the screws on this step,  
only lock in the half as the picture.



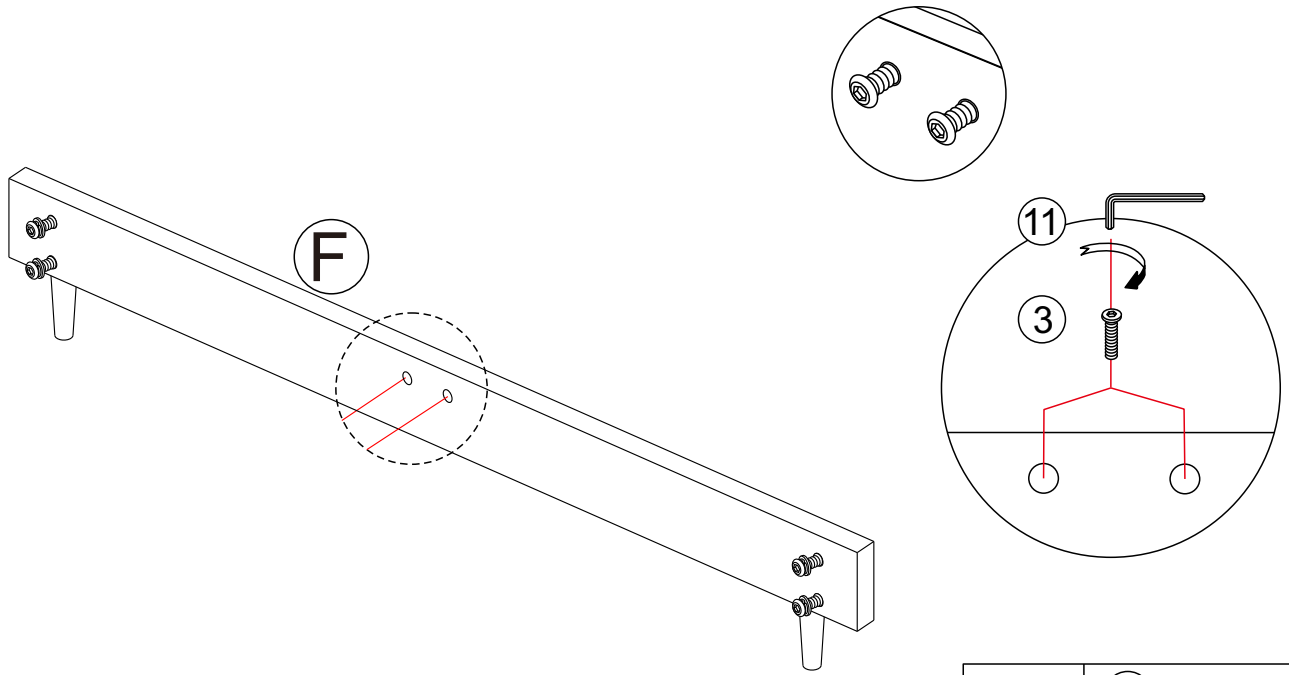
	2 x 4PCS
	5 x 4PCS
	6 x 4PCS
	11 x 1PC





7

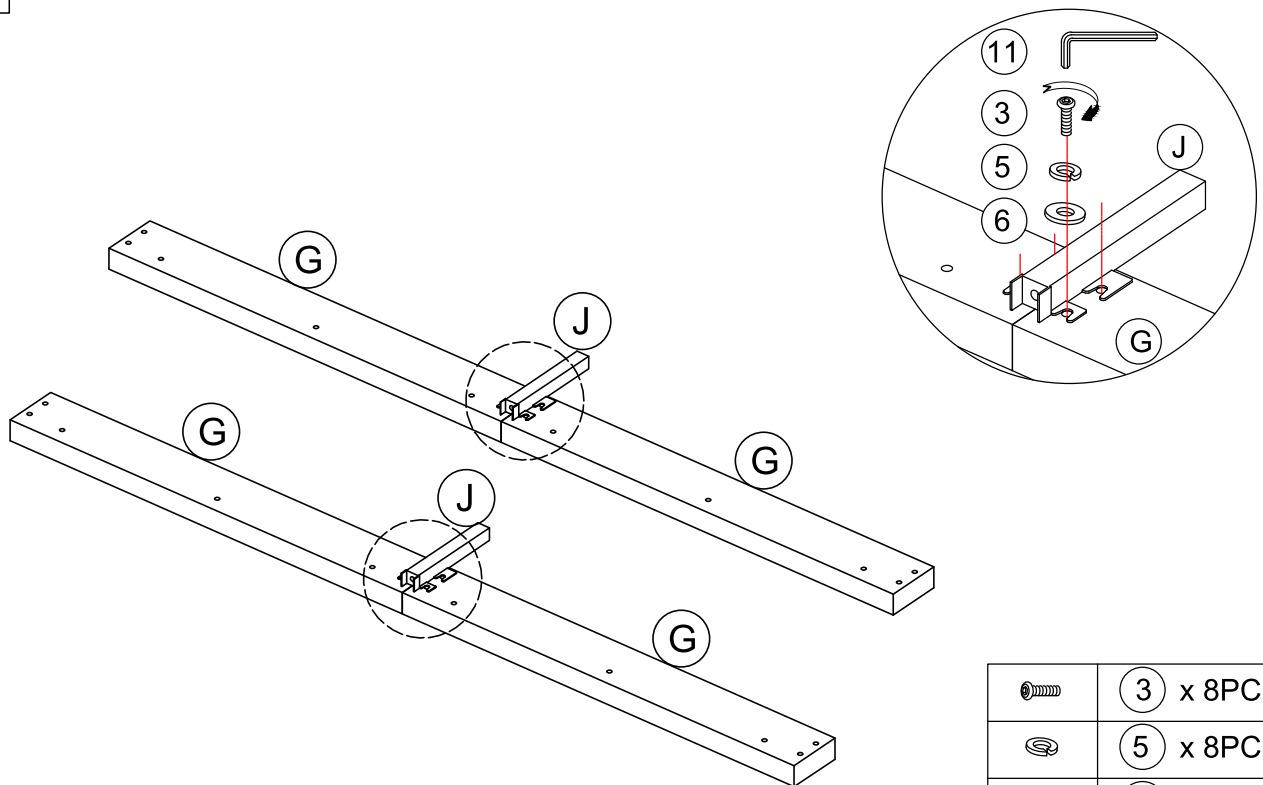
TIP:





Please do not lock tightly the screws on this step, only lock in the half as the picture.



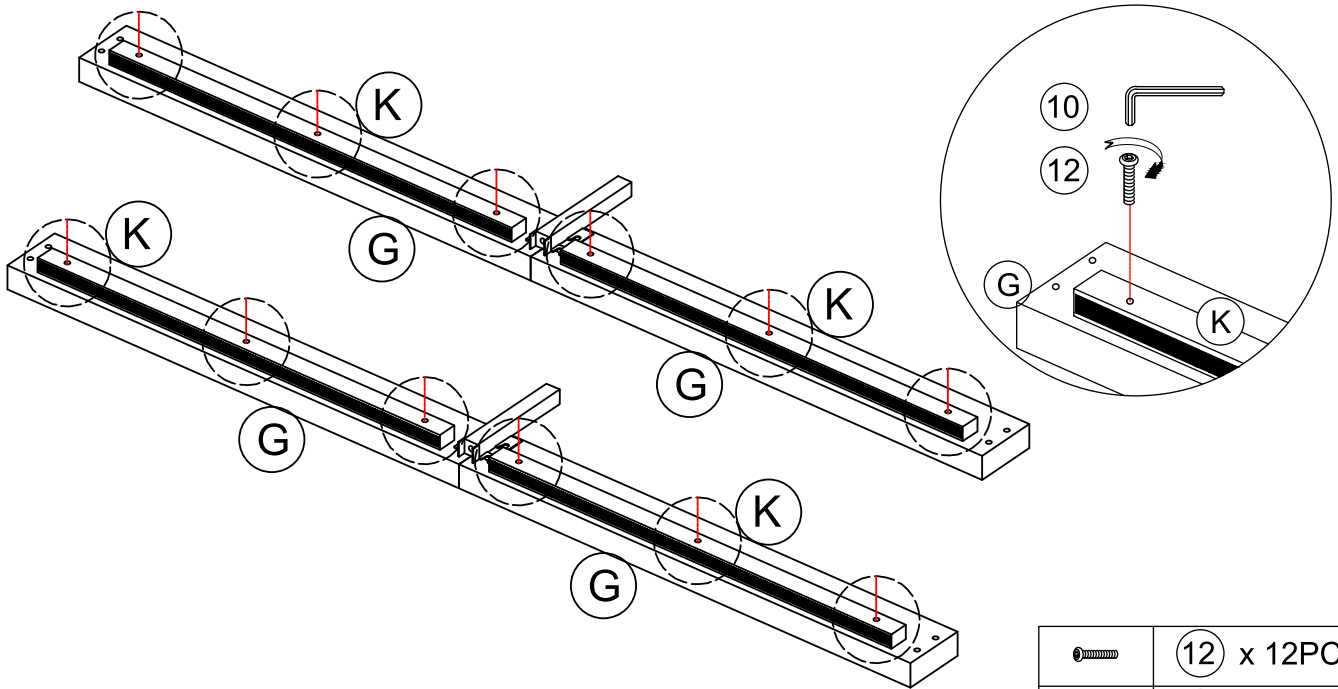
	3 x 2PCS
	11 x 1PC

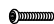

8



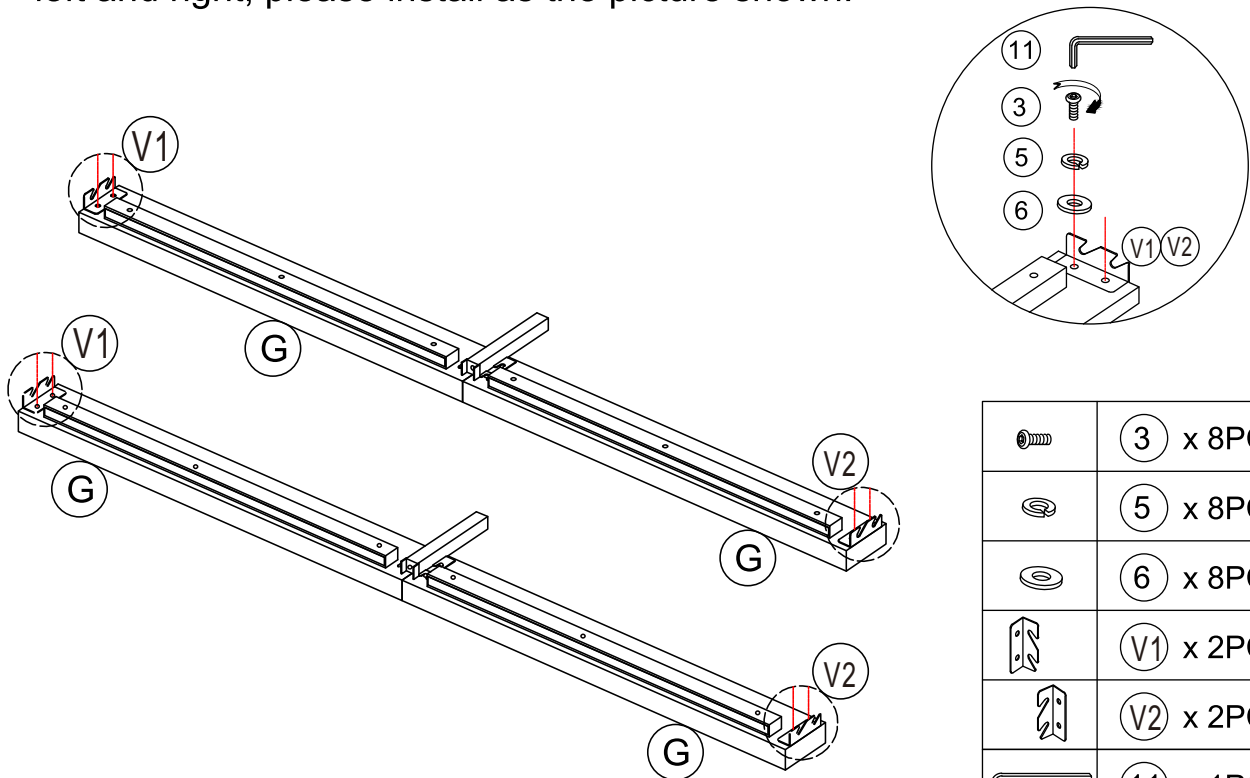
	3 x 8PCS
	5 x 8PCS
	6 x 8PCS
	11 x 1PC





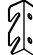

**9** TIP:  
The position of the black label should face up as the picture shown.



	(12) x 12PCS
	(10) x 1PC

**10** TIP:  
The part "V1" and "V2" are different, they go in two directions: left and right, please install as the picture shown.

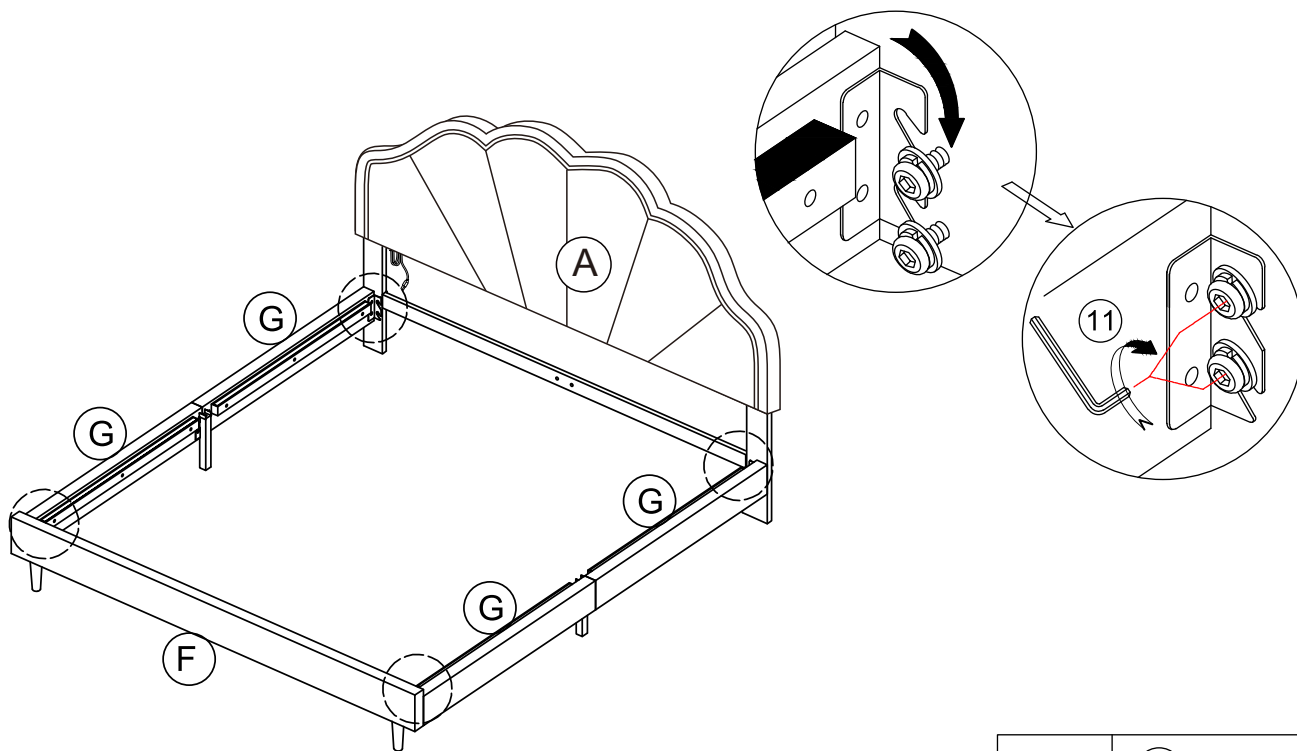


	(3) x 8PCS
	(5) x 8PCS
	(6) x 8PCS
	(V1) x 2PCS
	(V2) x 2PCS
	(11) x 1PC

11

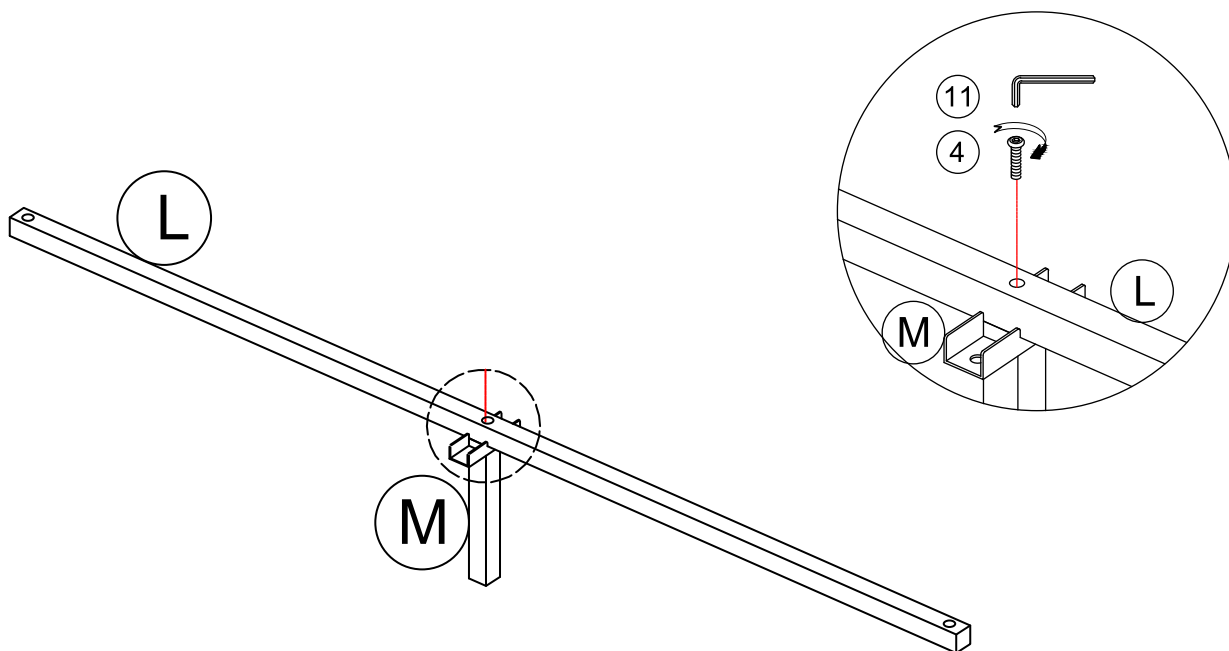
TIP:

After hanging the bedrail "G" on the head "A" and end of the bed "F", please lock the screws tightly.



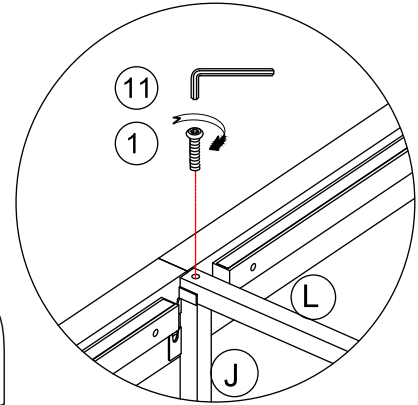
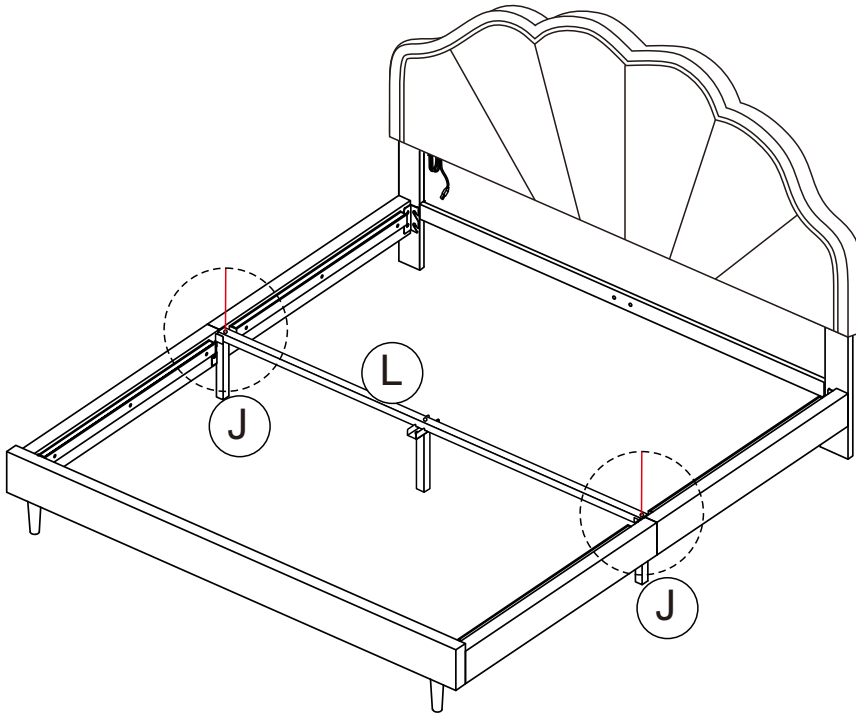
	11 x 1PC
--	----------

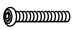

12



	4 x 1PCS
	11 x 1PC

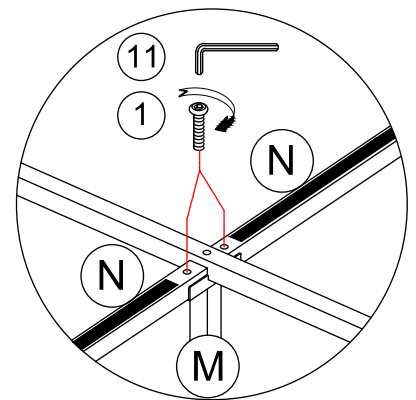
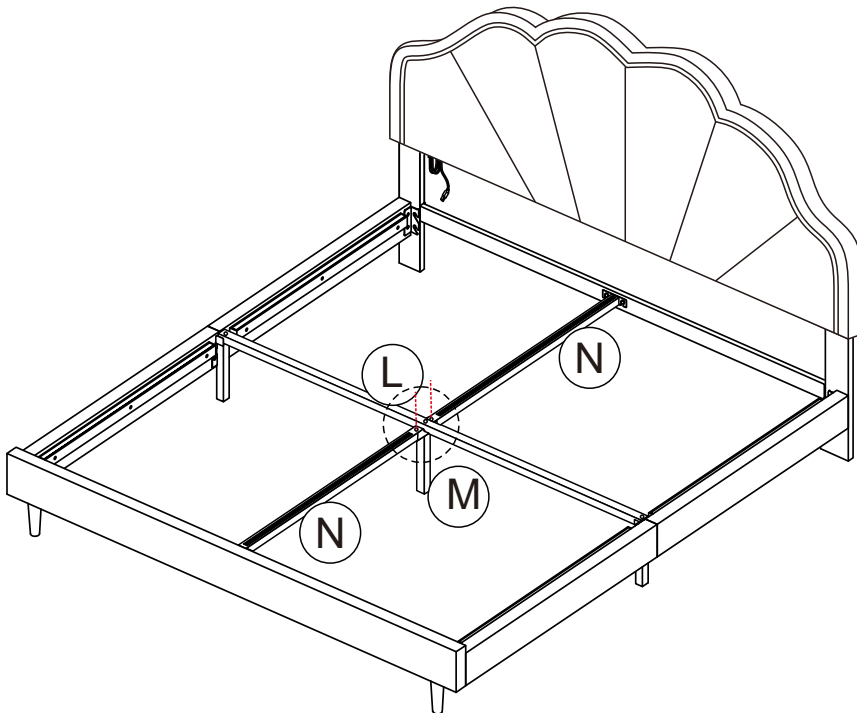
13

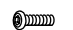



	1 x 2PCS
	11 x 1PC

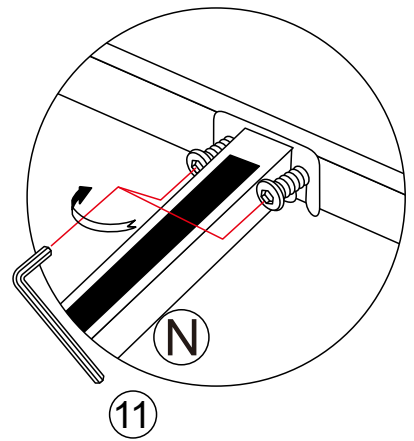
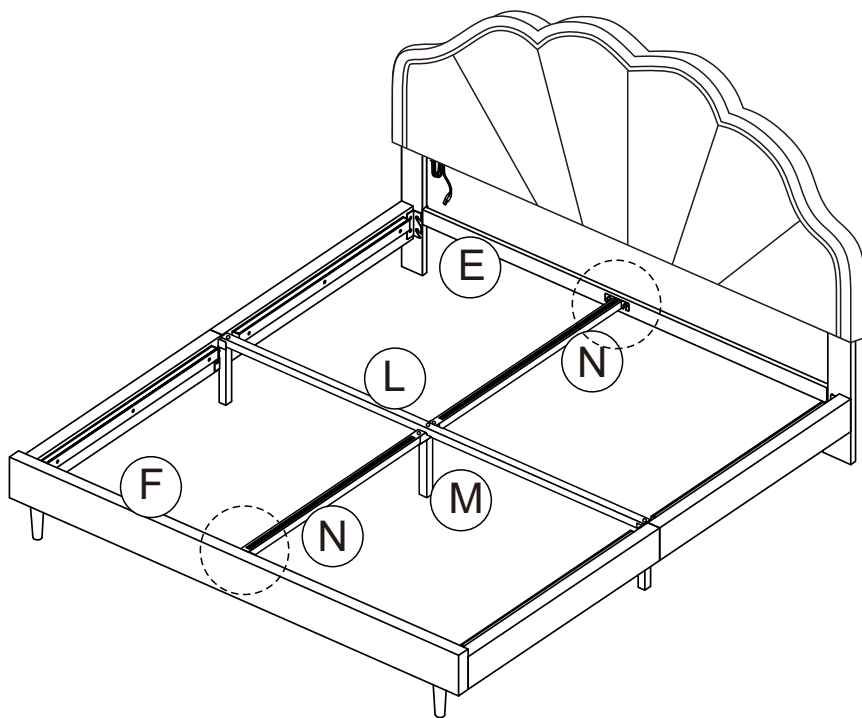
14


TIP:  
The position of the black label should face up as the picture shown.



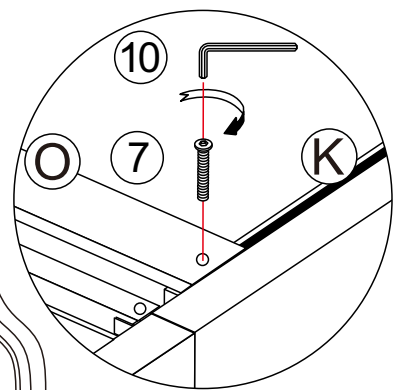
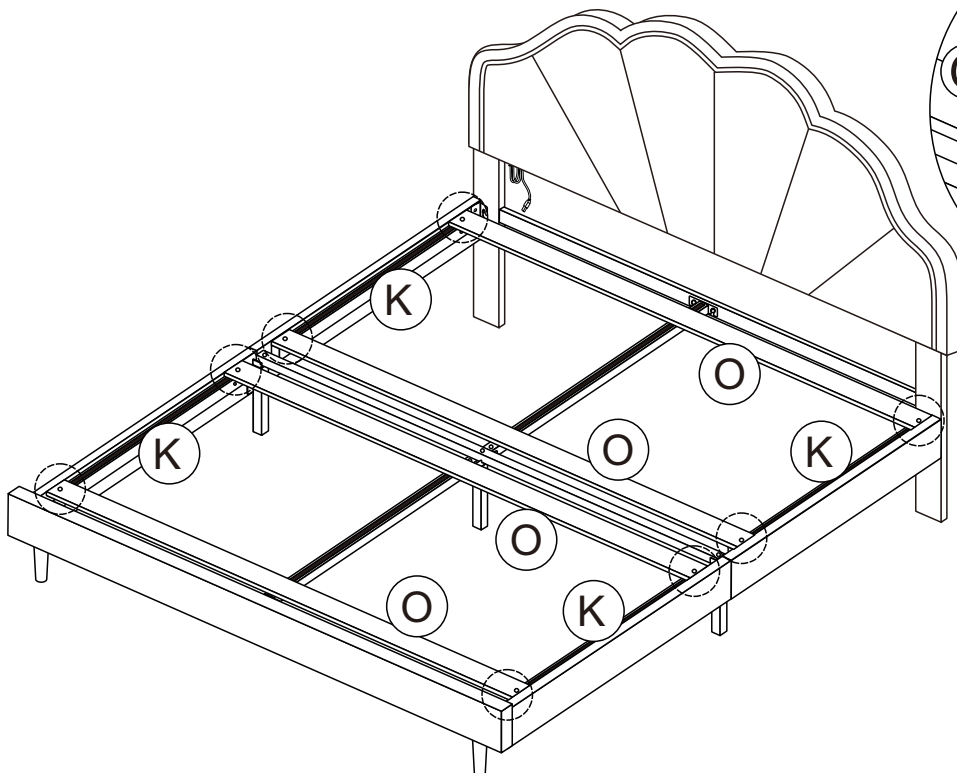
	1 x 2PCS
	11 x 1PC



15



	11 x 1PC
---	----------

16



	7 x 8PCS
	10 x 1PC

17

