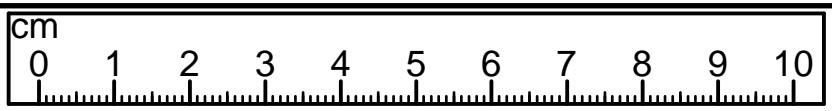
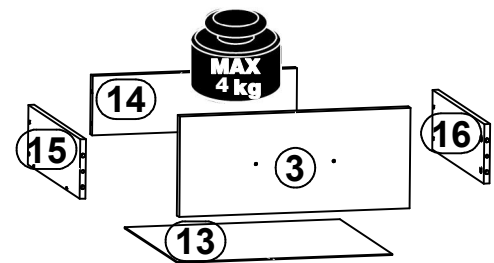
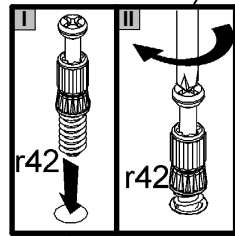
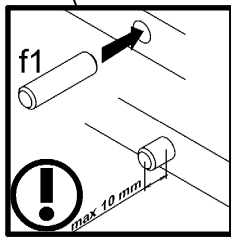
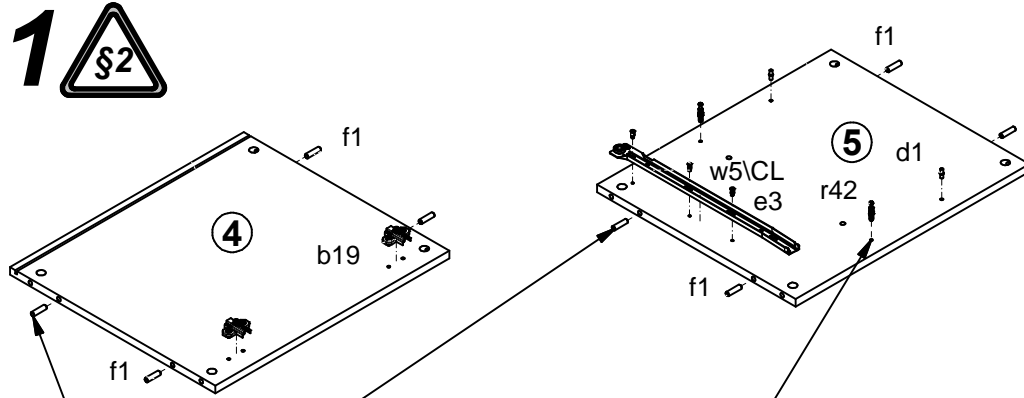


A	B	C (mm)		D
1	S331-003	520	474	2/2
2	S331-004	520	474	2/2
3	S331-005	474	203	2/2
4	S331-103	526	462	1/2
5	S331-105	526	446	1/2
6	S331-106	526	446	1/2
7	S331-203	1430	483	1/2
8	S331-204	1430	500	1/2
9	S331-303	469	446	1/2
10	S331-304	468	445	1/2
11	S331-903	536	462	1/2
12	S331-904	210	485	1/2
13	S331-905	442	405	1/2
14	ZS3-5535	420	120	1/2
15	ZS4-503	400	120	1/2
16	ZS4-504	400	120	1/2

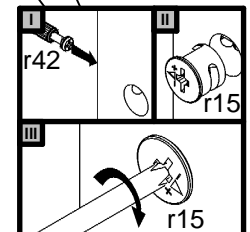
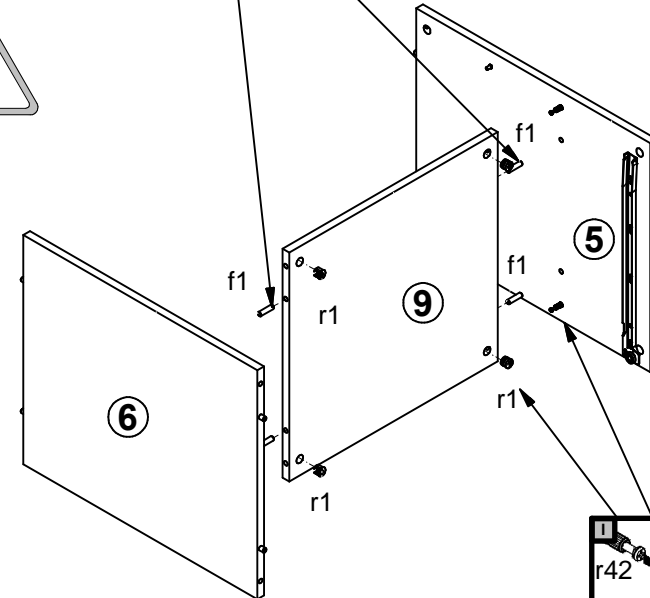
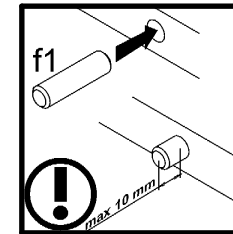
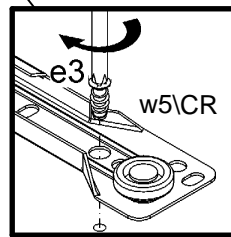
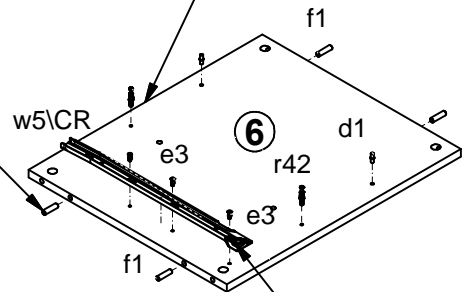



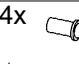
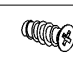
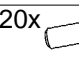
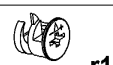
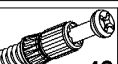
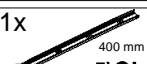

4x a44	4x b19	3x c193 160 mm	4x d1 Ø5x17 mm	4x e19 Ø5x9 mm	6x e3 Ø6x13 mm	20x f1 Ø8x30 mm	4x f25 Ø6.5x40 mm	2x f9 Ø6x30 mm	6x k43	25x l1	3x p38 Ø3.5x16 mm	8x p51 Ø3.5x15 mm
6x p9 Ø4x30 mm	20x r1 Ø15x12 mm #16	4x r15 Ø12x10.5 mm #12	24x r42	1x w5\CL 400 mm	1x w5\CR 400 mm	1x w5\DL 400 mm	1x w5\DR 400 mm	12x s2 Ø16	14x i2			

1 

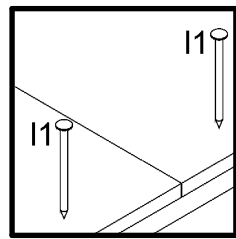
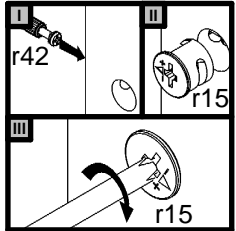
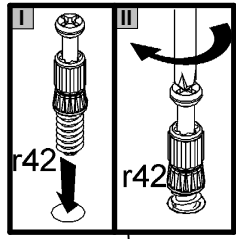


2 

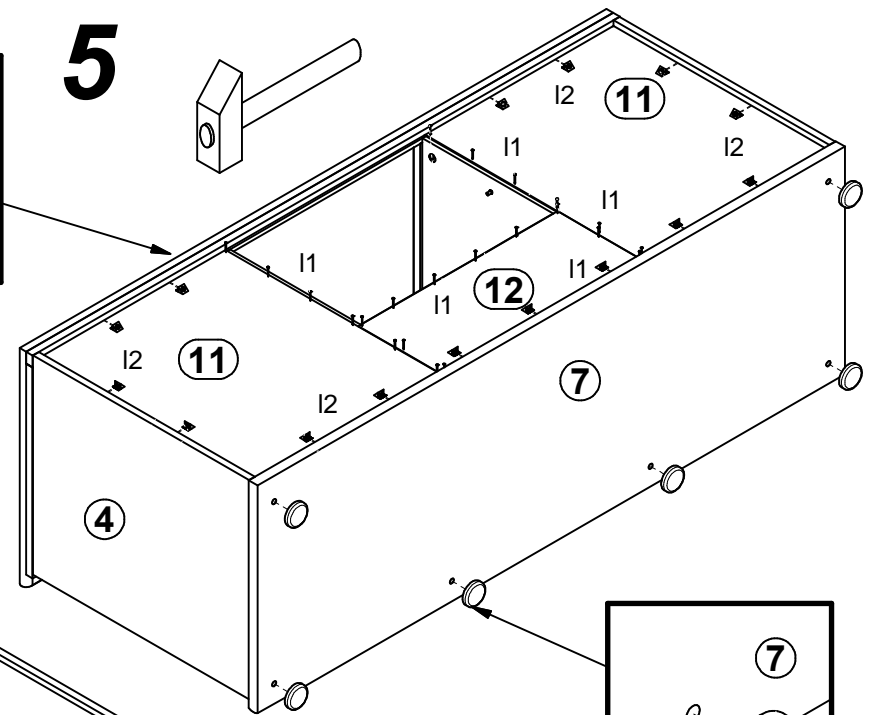
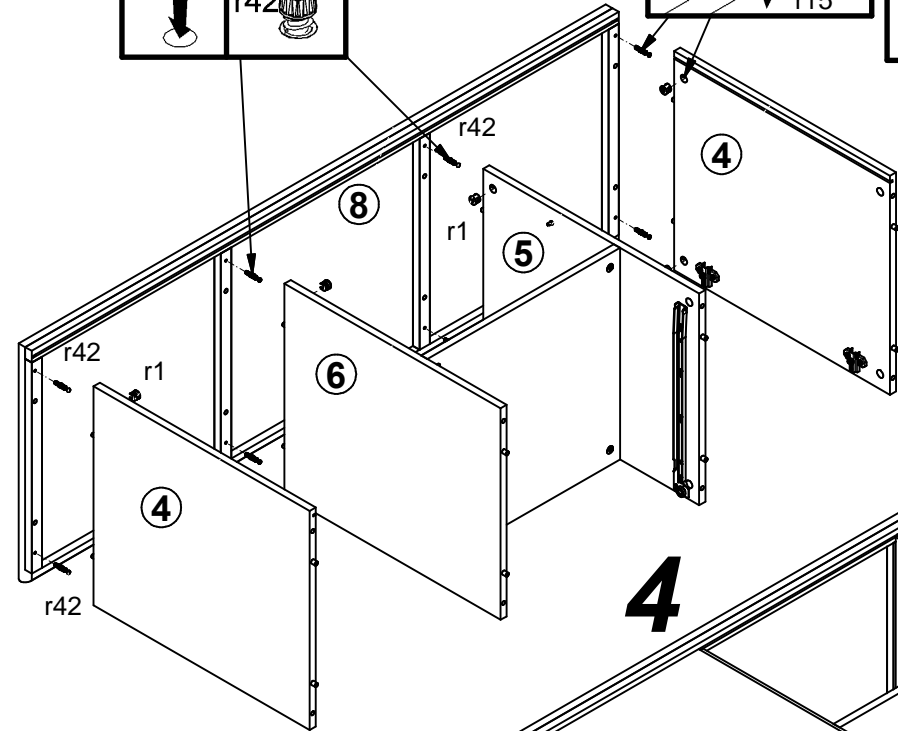
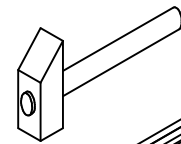


4x  b19	4x  d1 Ø5x17 mm	
6x  e3 Ø6x13 mm	20x  f1 Ø8x30 mm	4x  r1 Ø15x12 mm #16
4x  r42	1x  w5\CL 400 mm	1x  w5\CR 400 mm

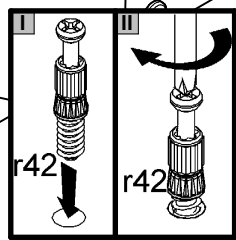
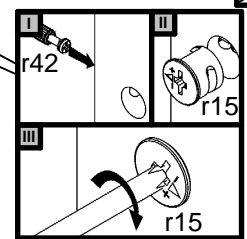
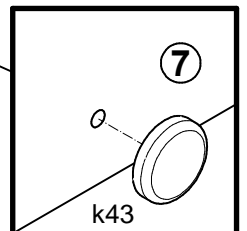
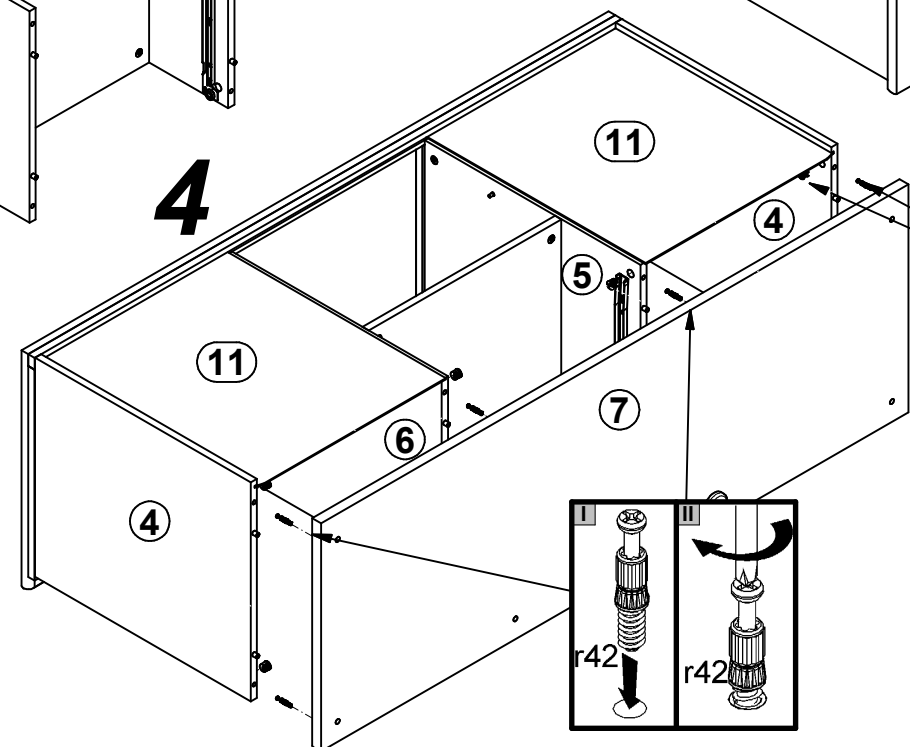
3

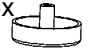






5

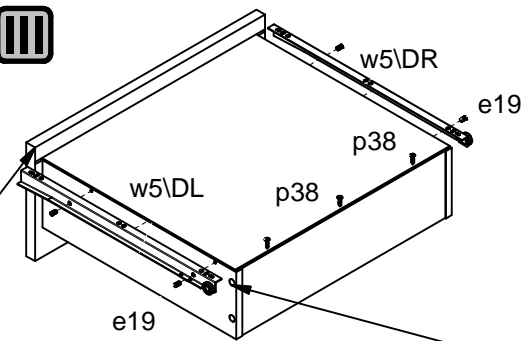
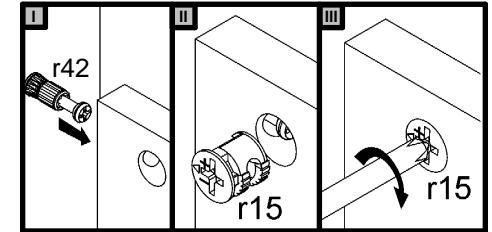
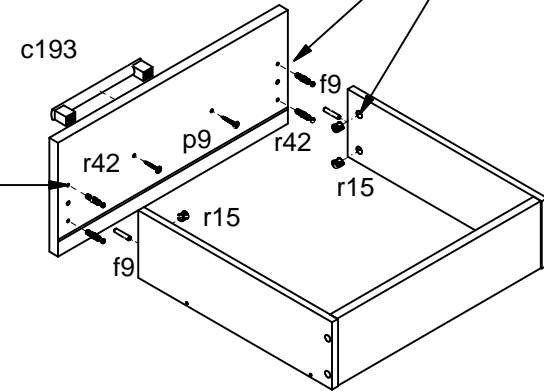
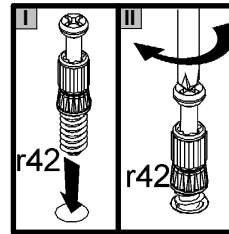
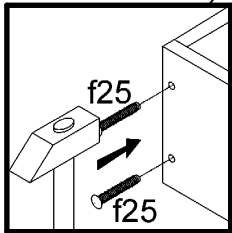
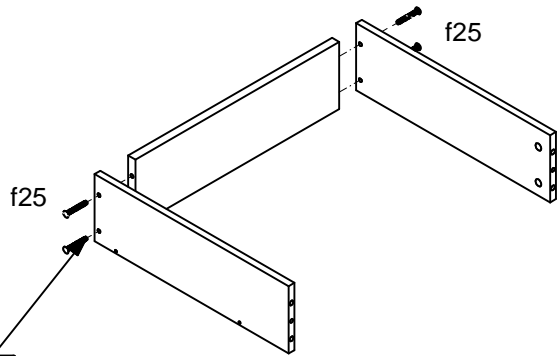


4

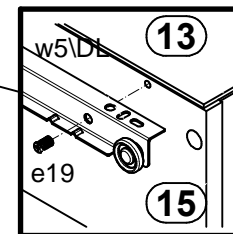
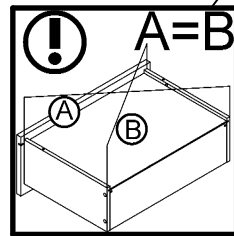
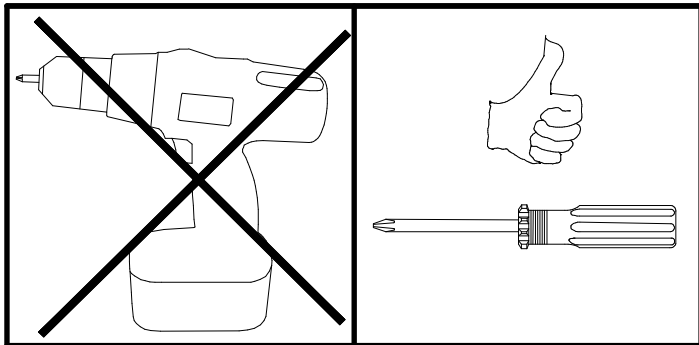


- | | |
|---|--|
| 6x

k43 | 25x

l1 |
| 14x

l2 | 16x

r1 |
| 16x

r42 | |

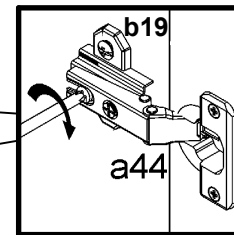
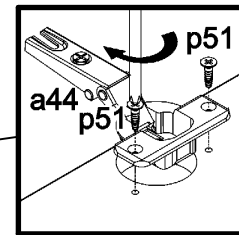
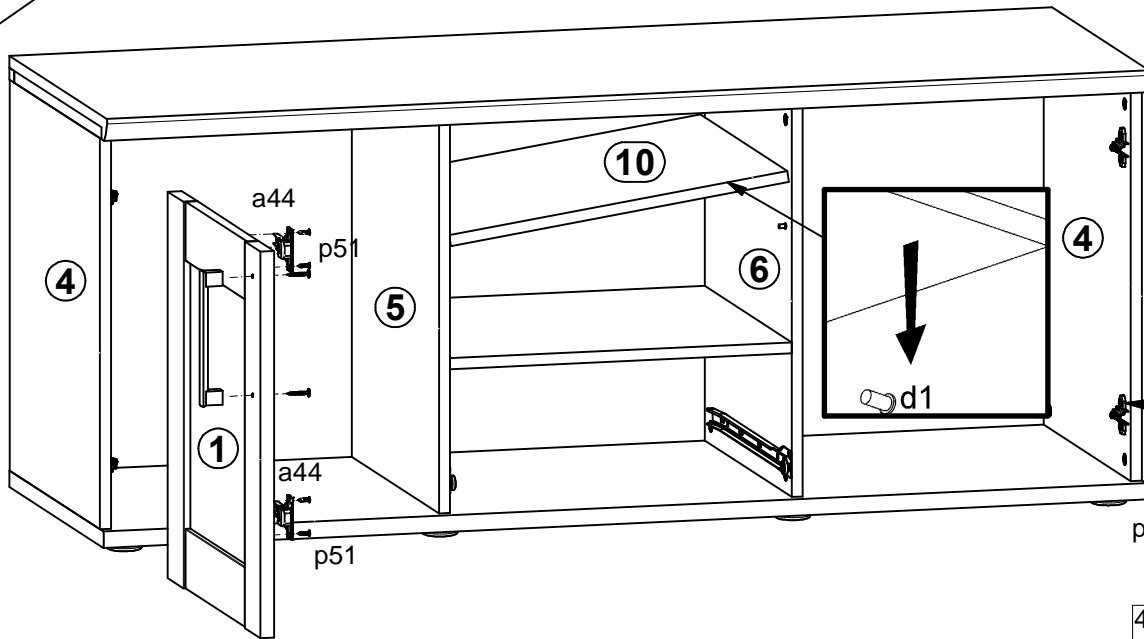
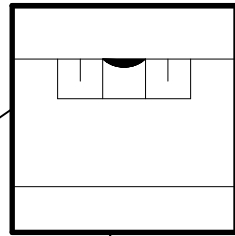
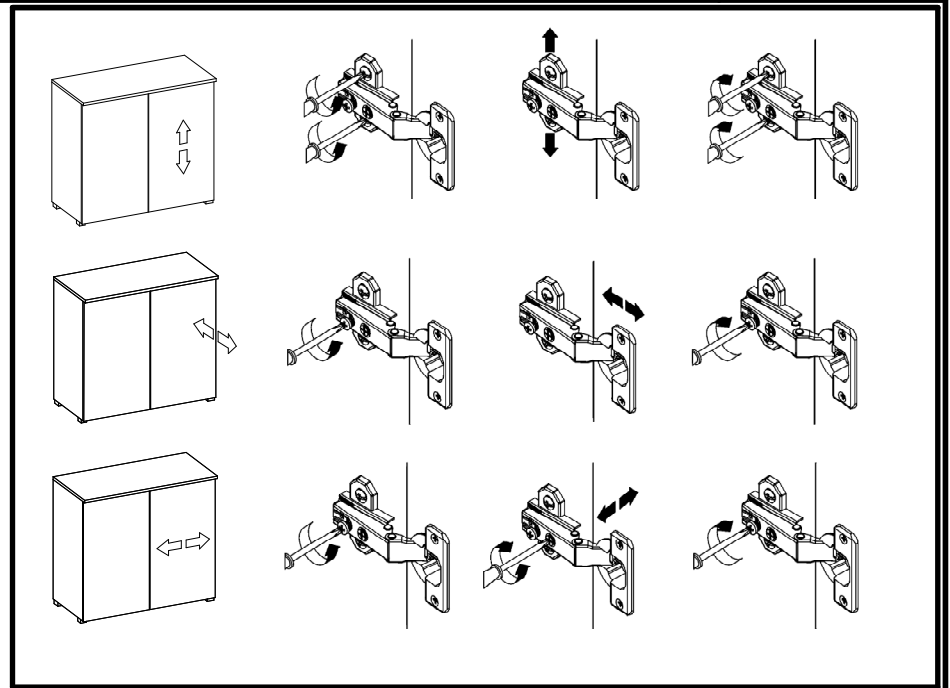
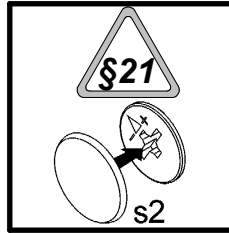
5

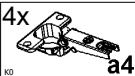
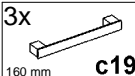


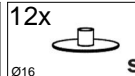


4x Ø5x9 mm e19	2x Ø6x30 mm f9	4x Ø6,5x40 mm f25	3x Ø3,5x16 mm p38
4x Ø12x10,5 mm #12 r15	4x r42	1x 400 mm w5\DL	1x 400 mm w5\DR



6



- 4x

a44
- 3x

c193
160 mm
- 6x

p9
Ø4x30 mm
- 8x

p51
Ø3.5x15 mm
- 12x

s2
Ø16