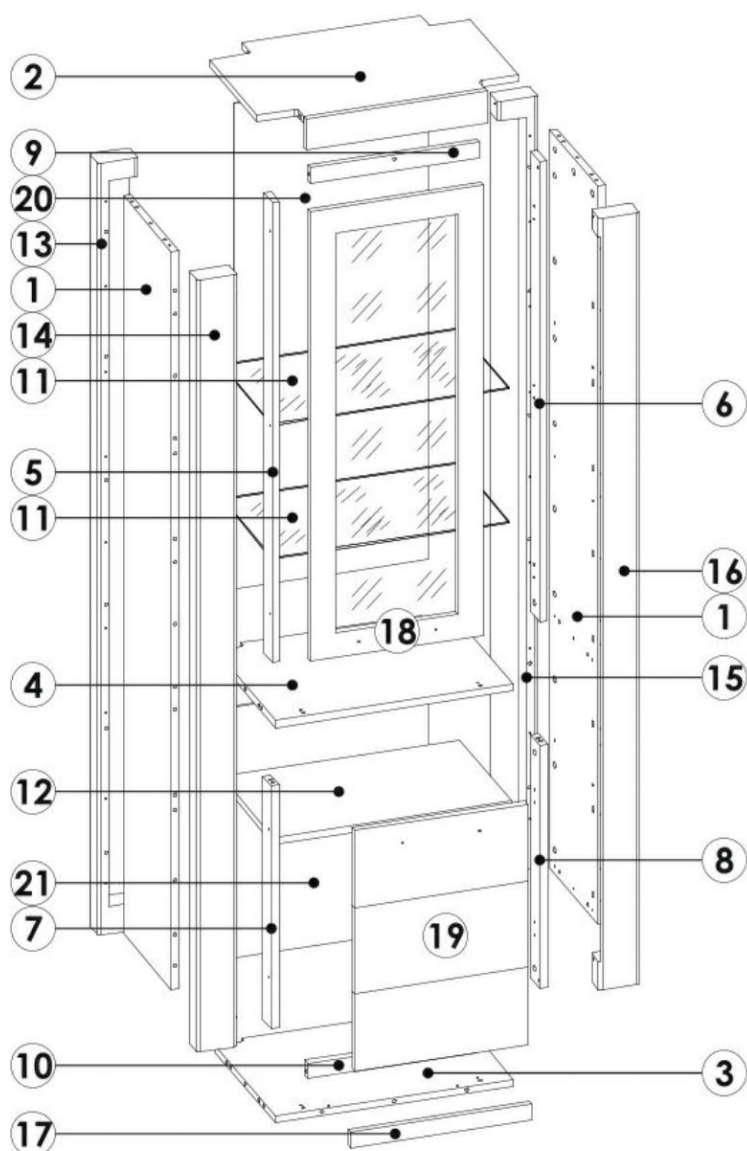




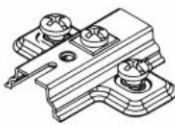
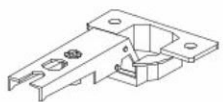

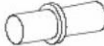
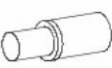

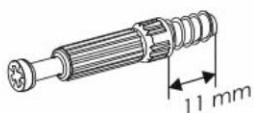
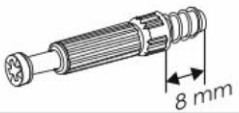
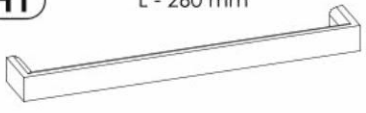





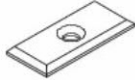
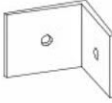
# SILIAS T11



①	1902	331	19	x2	1/3
②	650	450	80	x1	2/3
③	592	428	19	x1	2/3
④	592	428	19	x1	3/3
⑤	1186	60	20	x1	3/3
⑥	1186	60	20	x1	3/3
⑦	626	60	20	x1	3/3
⑧	626	60	20	x1	3/3
⑨	420	45	19	x1	3/3
⑩	420	30	19	x1	3/3

⑪	589	350	4	x2	2/3
⑫	591	360	18	x1	2/3
⑬	1990	100	60	x1	1/3
⑭	1990	100	60	x1	1/3
⑮	1990	100	60	x1	1/3
⑯	1990	100	60	x1	1/3
⑰	450	40	18	x1	2/3
⑱	1160	430	22	x1	3/3
⑲	610	430	48	x1	3/3
⑳	1252	482	4	x1	3/3
㉑	653	482	3	x1	3/3

# SILIAS T11

<b>A1</b> 8 x 30 mm x39 	<b>A2</b> 8 x 50 mm x2 	<b>B0</b> x5 
<b>B1</b> x5 	<b>C2</b> 5 x 13 mm x28 	<b>D1</b> x4 
<b>D2</b> x8 	<b>E1</b> 15 x 12 mm x71 	<b>F1</b> 6 x 34 mm x67 
<b>F2</b> 6 x 34 mm x4 	<b>H1</b> L - 260 mm x2 	<b>I1</b> 3 x 16 mm x55 
<b>M4</b> M4 x 22 mm x4 	<b>N8</b> 4 x 16 mm x10 	<b>N14</b> 4 x 30 mm x2 
<b>N15</b> 4 x 35 mm x2 	<b>R0</b> x6 	<b>W1</b> x14 
<b>S</b> x71 