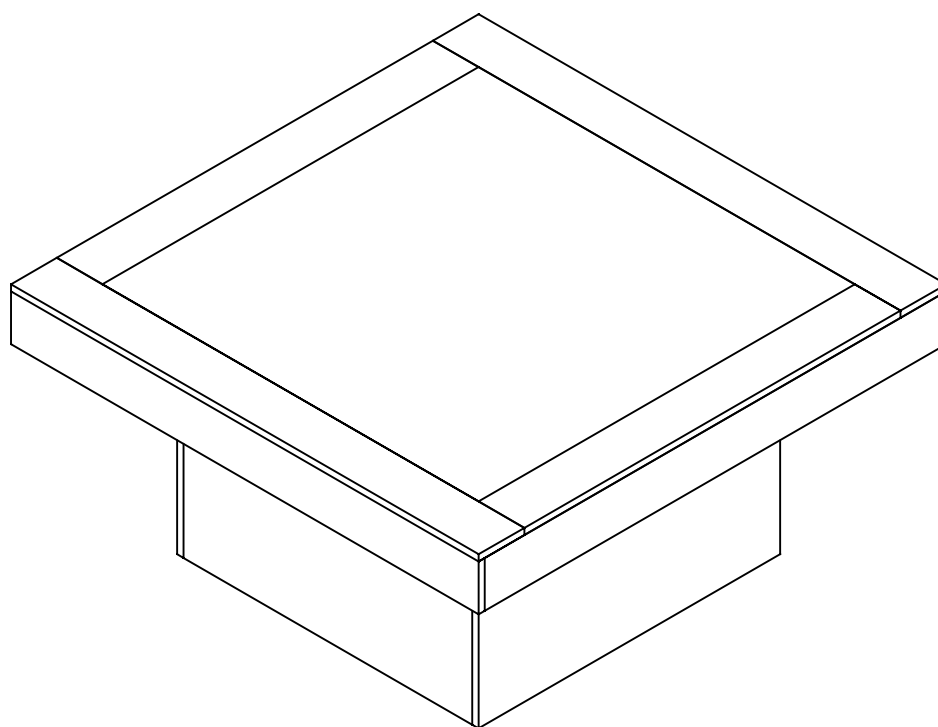


# ASSEMBLY INSTRUCTION

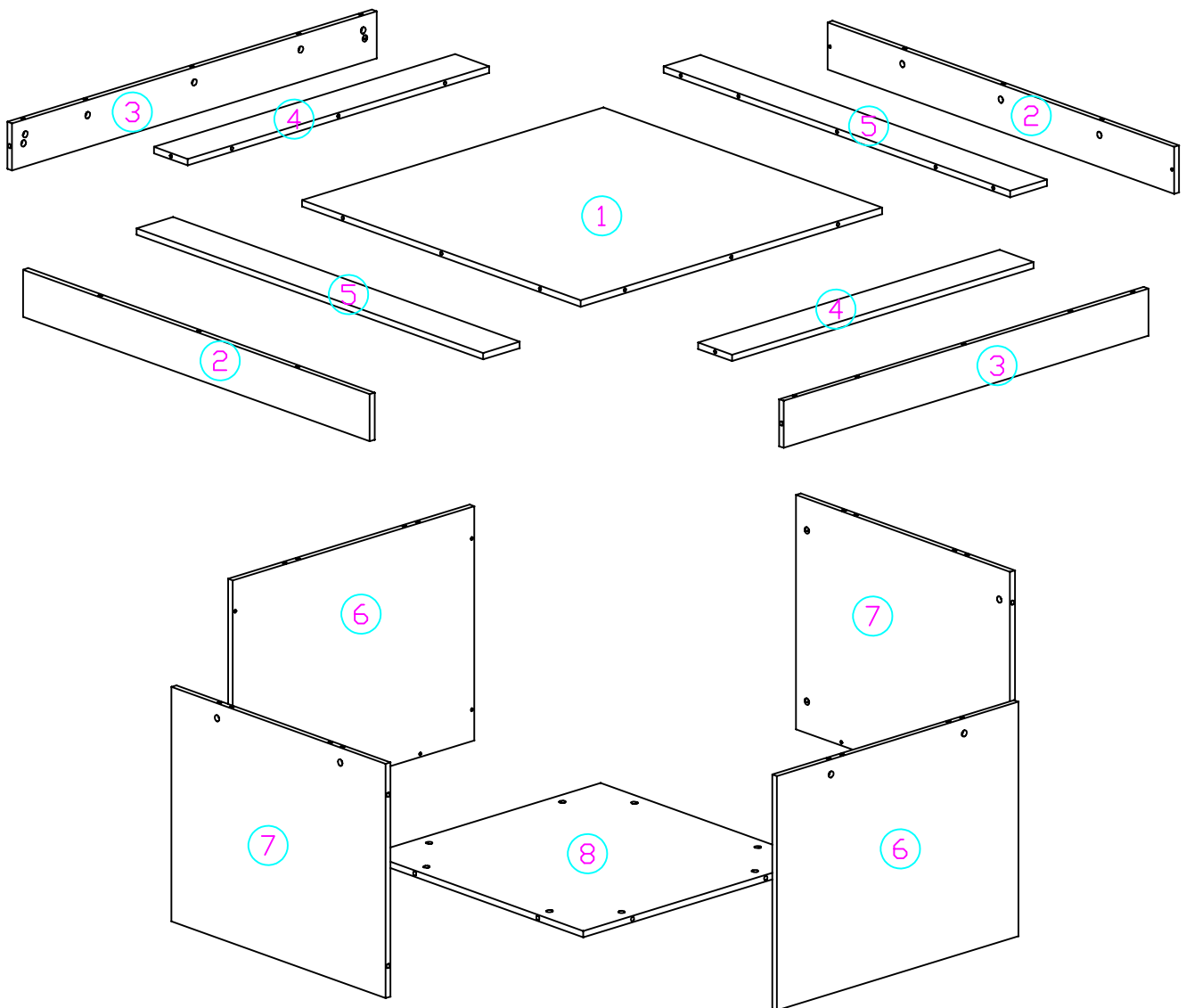
P1

Attention: Do not tighten screws until all of them are in right positions.



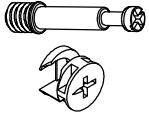
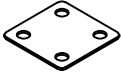



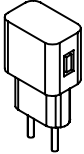
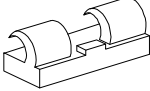

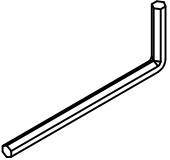
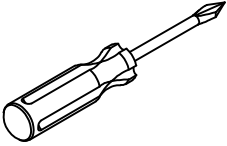
# ASSEMBLY INSTRUCTION

P2



# ASSEMBLY INSTRUCTION

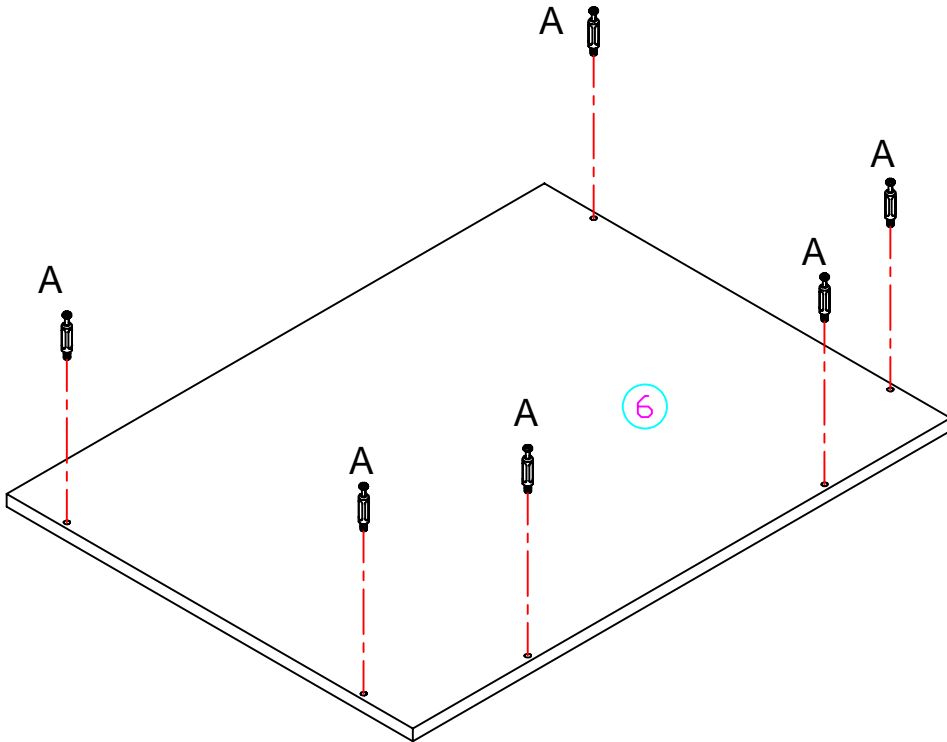
# P3

<b>A</b>  44PCS	<b>B</b>  8PCS	<b>C</b>  M6*10 32PCS	<b>D</b>  Ø6*30 24PCS
<b>E</b>  1PCS	<b>F</b>  1PCS	<b>G</b>  1PCS	<b>H</b>  8PCS
 1PCS	 1PCS		

# ASSEMBLY INSTRUCTION

# P4

## 1

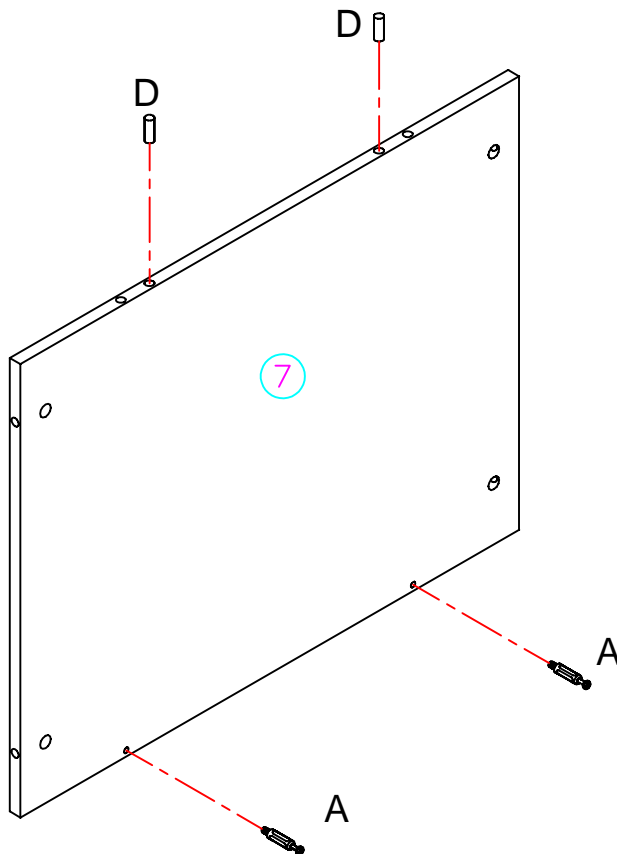


X2

✓	✗

A		12
---	--	----

## 2



X2

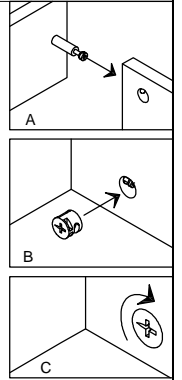
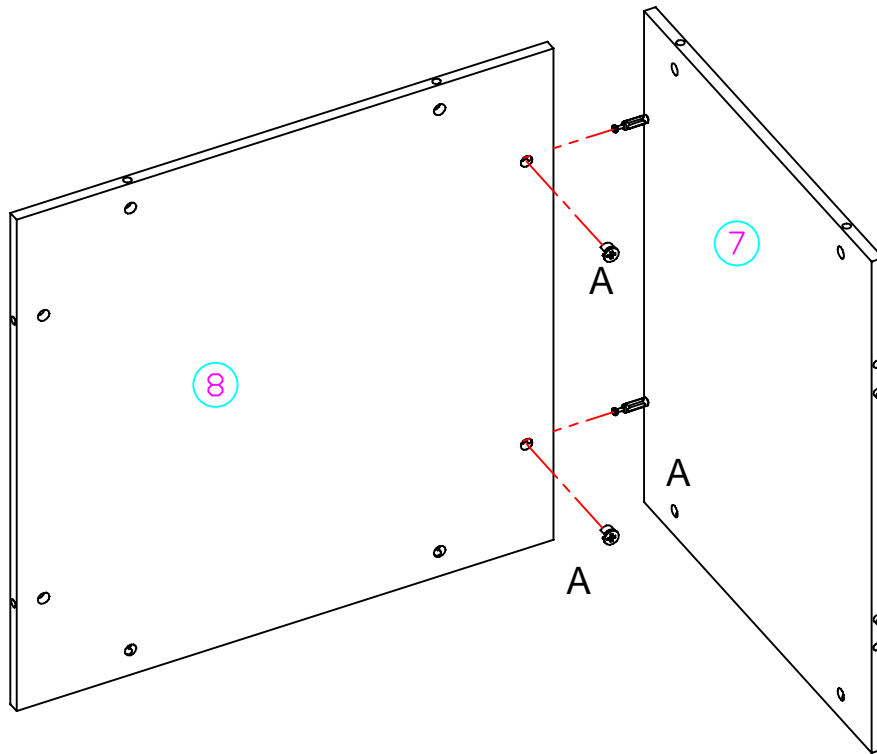
✓	✗

D		4
A		4

# ASSEMBLY INSTRUCTION

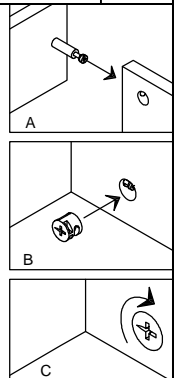
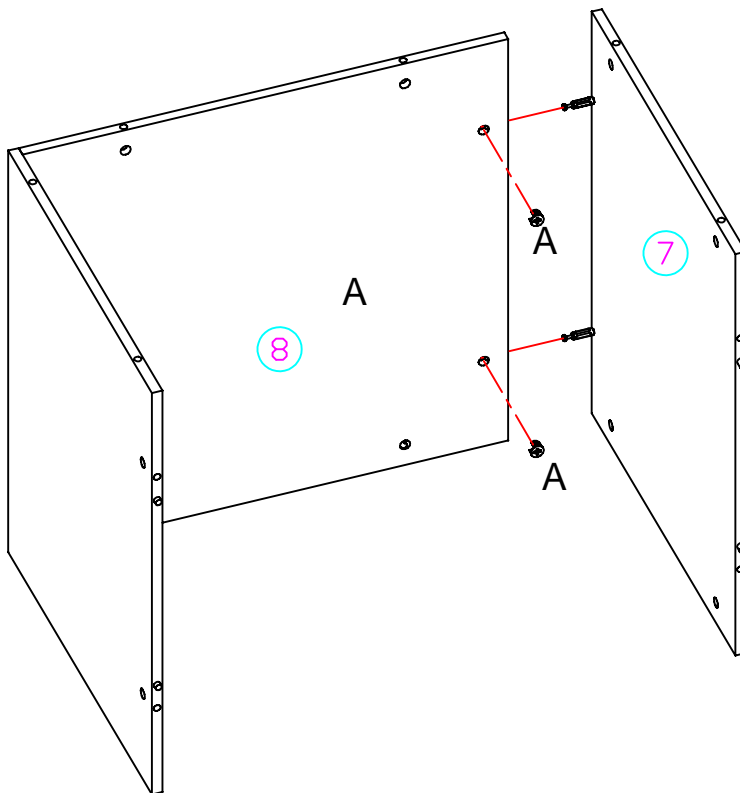
# P5


3



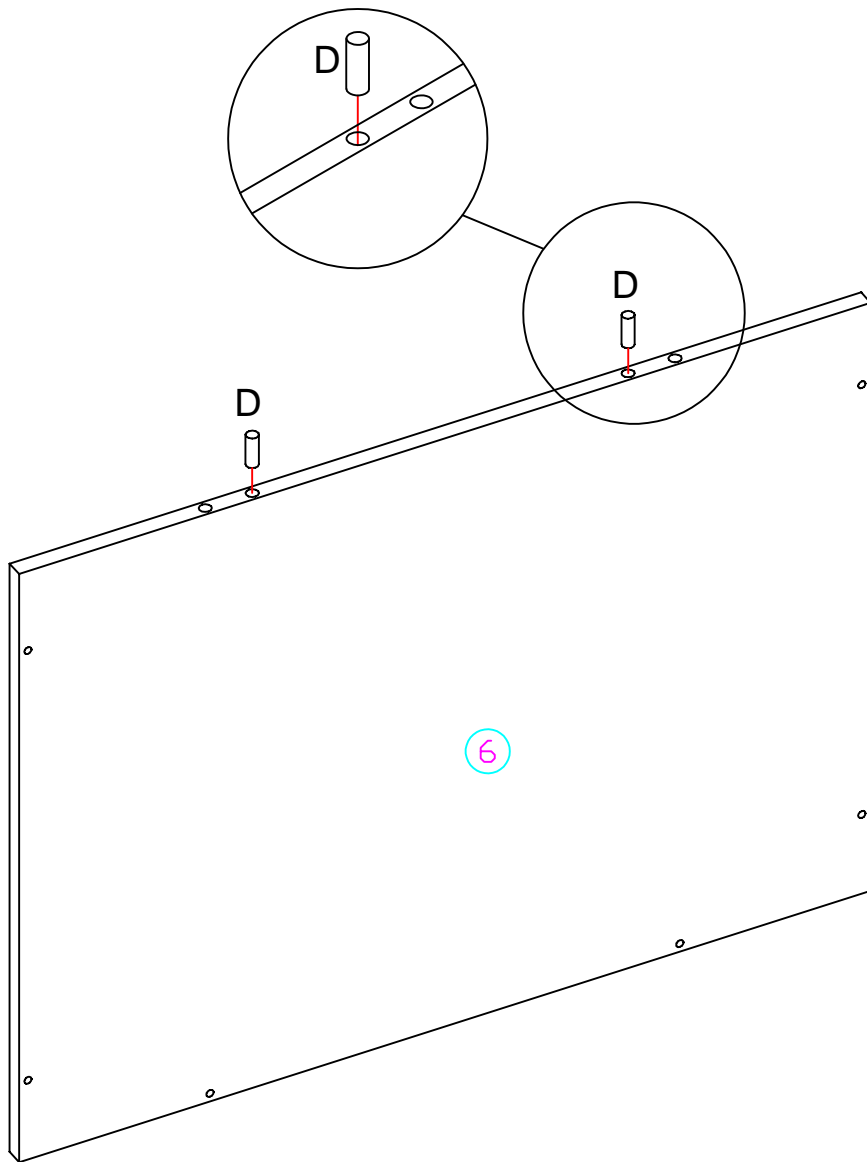
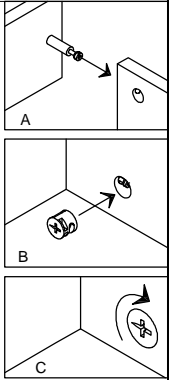
A		2
---	---	---

4




A		2
---	---	---

5



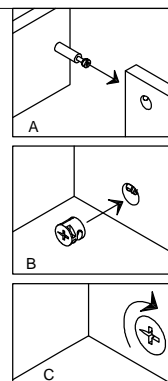
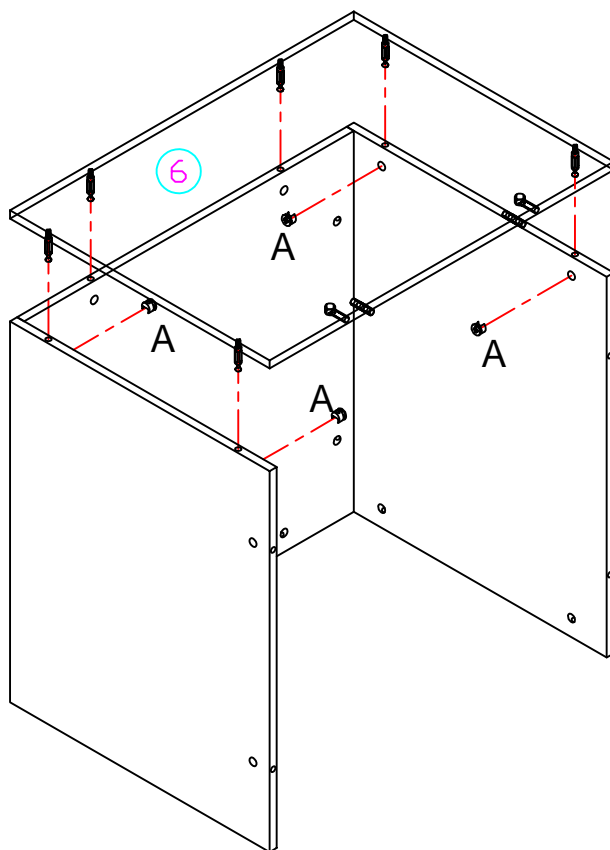
6

D		2
---	---	---

# ASSEMBLY INSTRUCTION

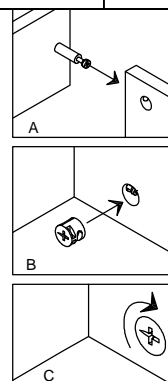
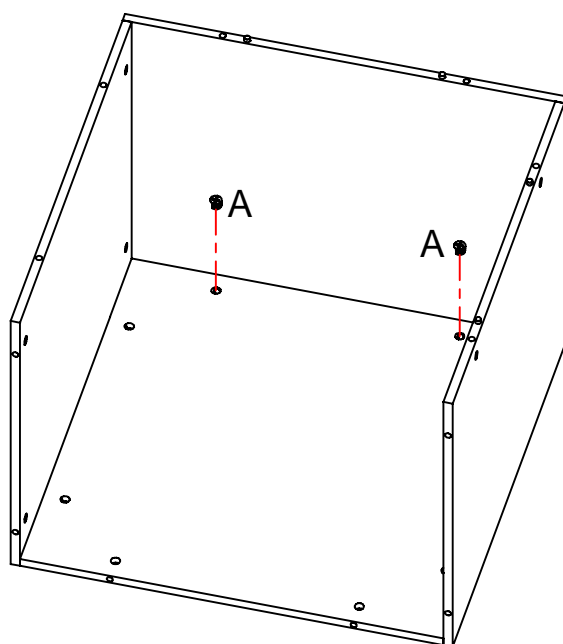
# P7

6



A		4
---	---	---

7

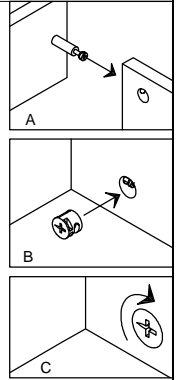
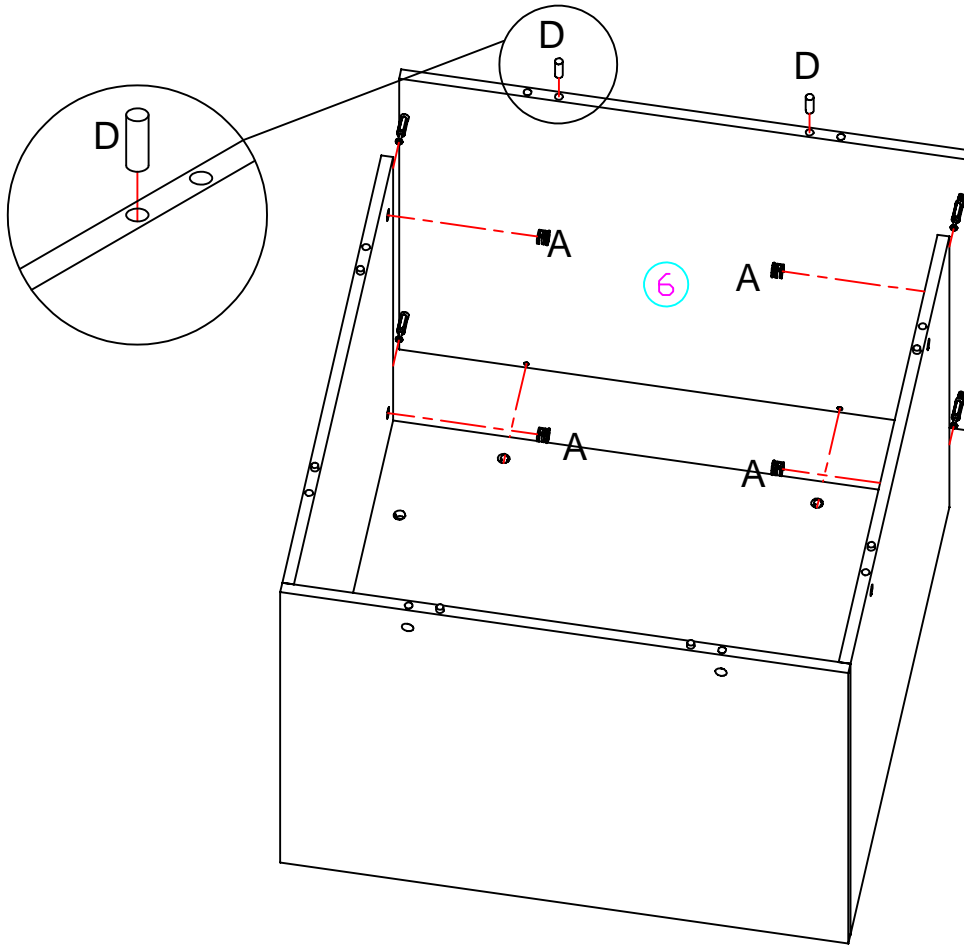




A		2
---	---	---

# ASSEMBLY INSTRUCTION

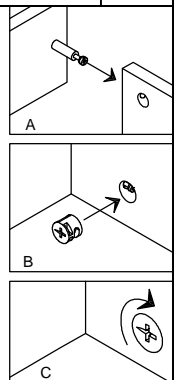
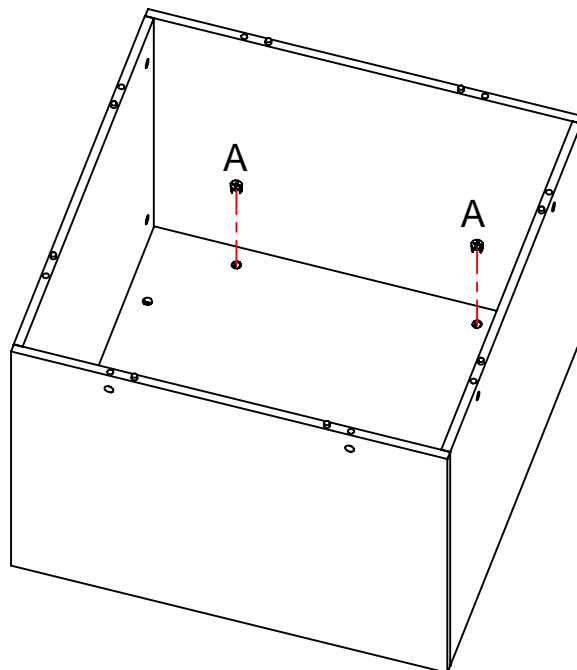
# P8

## 8



D		2
A		4

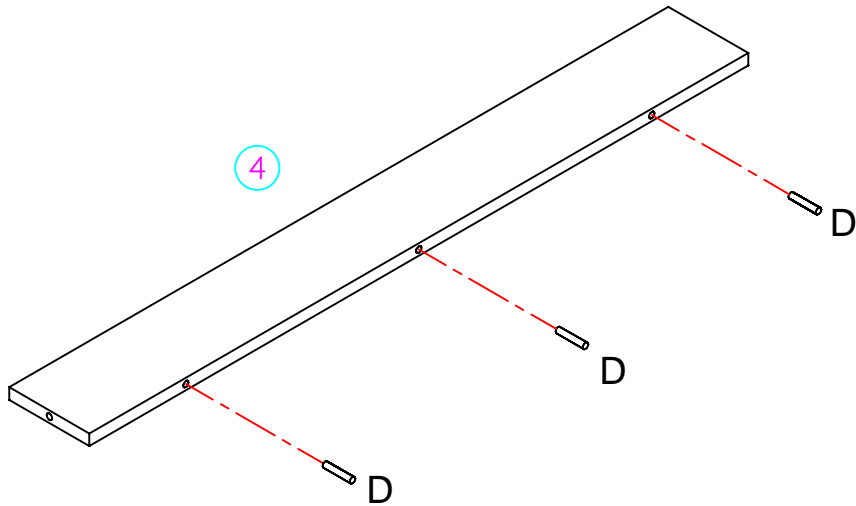
## 9




A		2
---	---	---



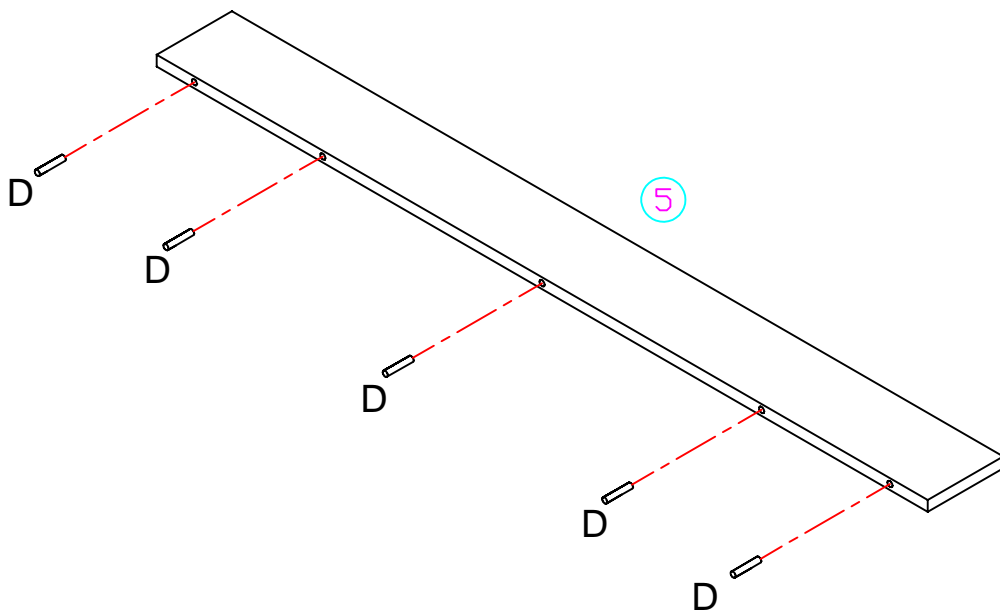
10




X2

D		6
---	---	---

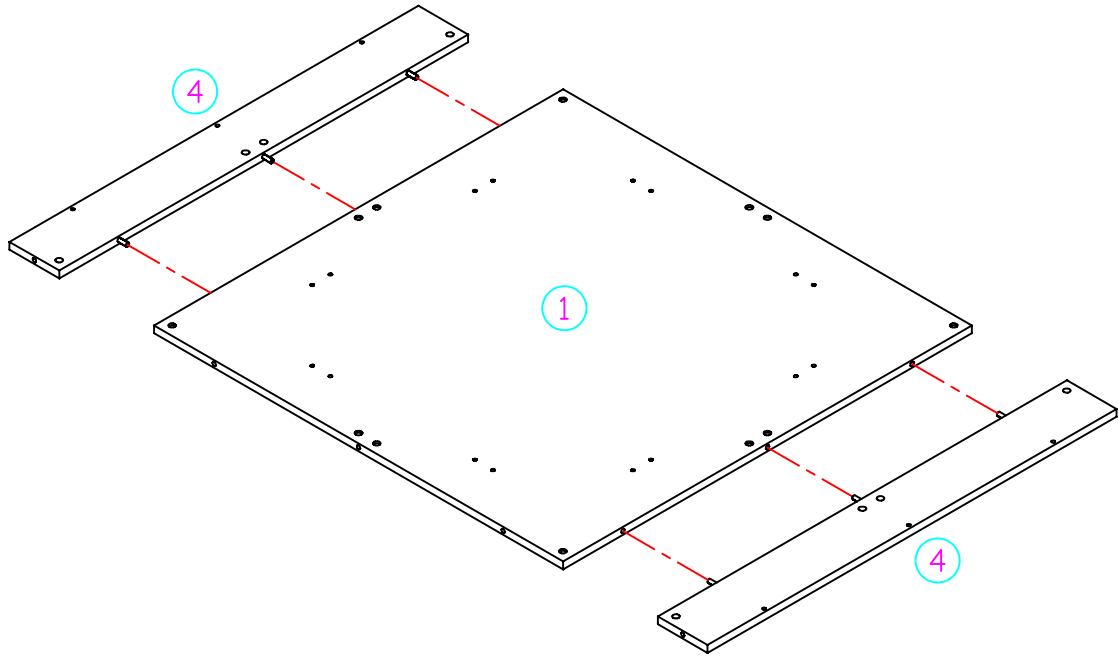
11



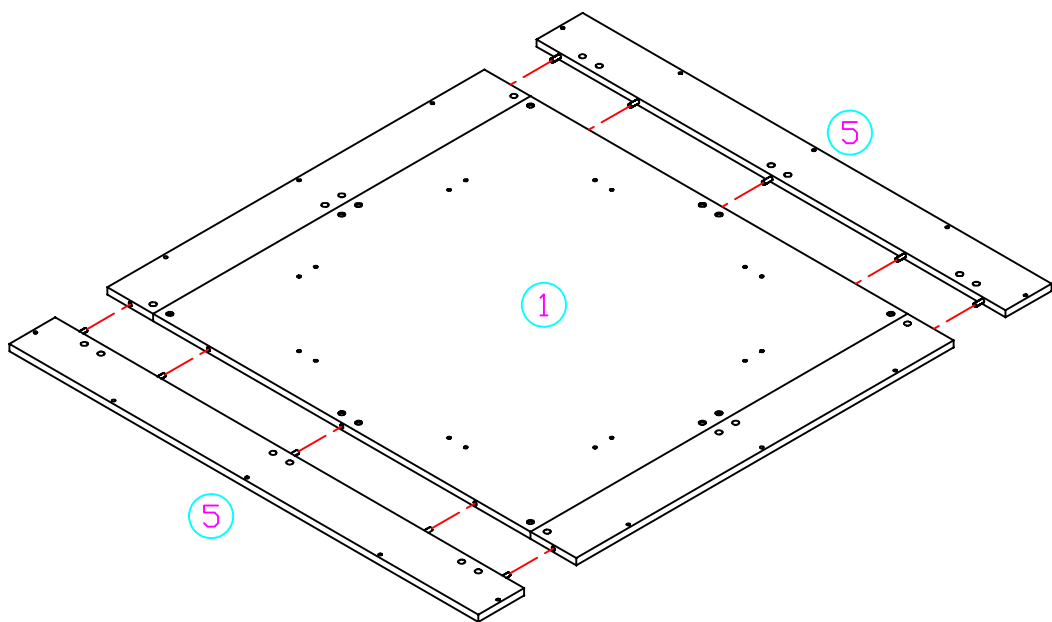
X2

D		10
---	---	----

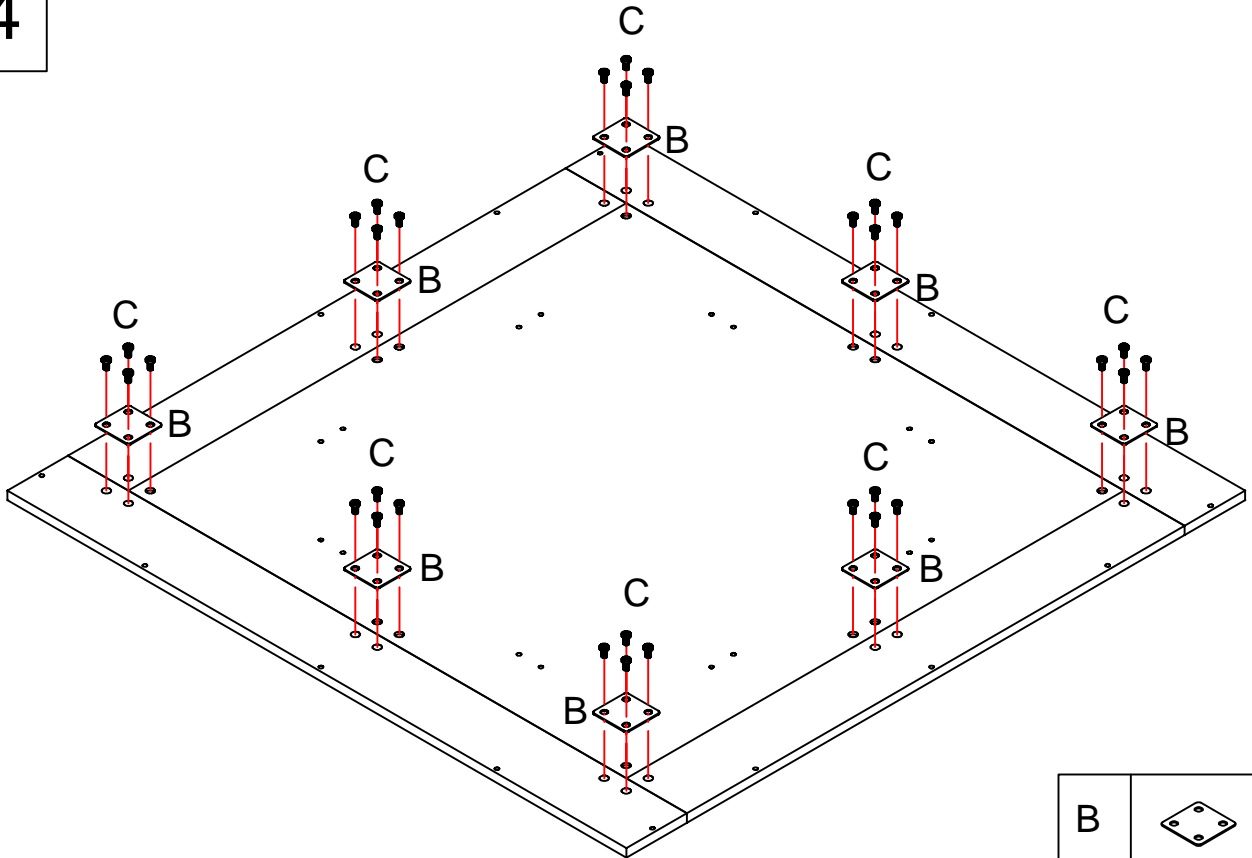
12





13

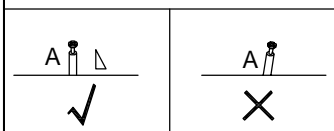
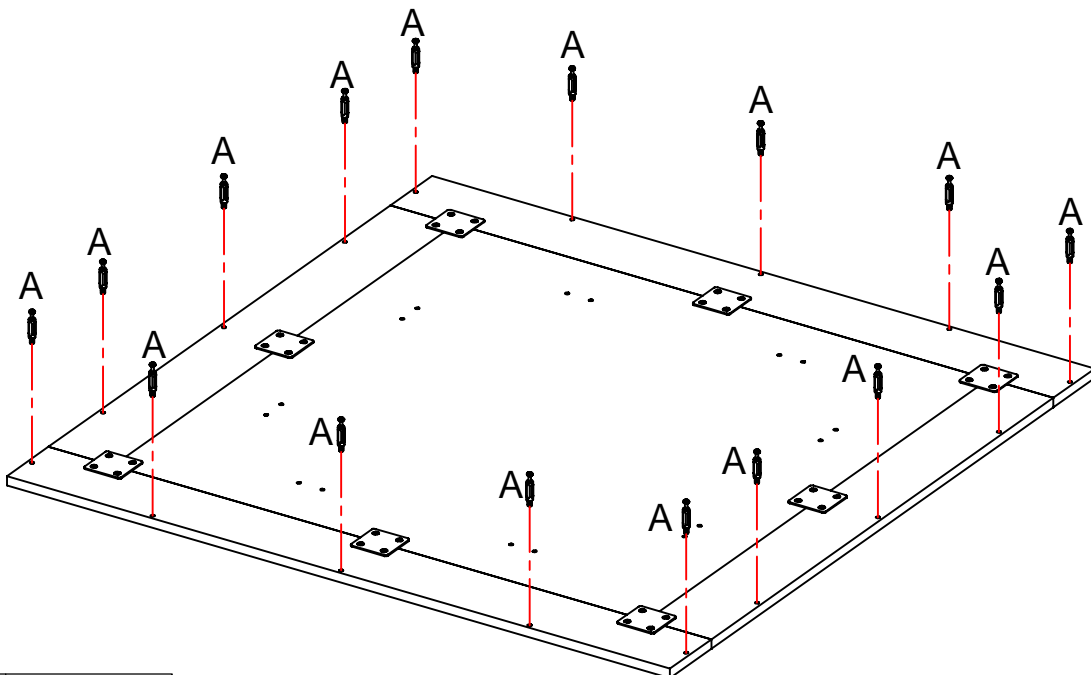


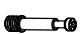
14



B		8
C		32

15

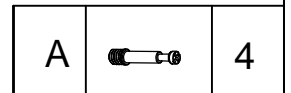
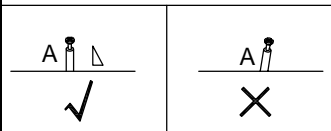
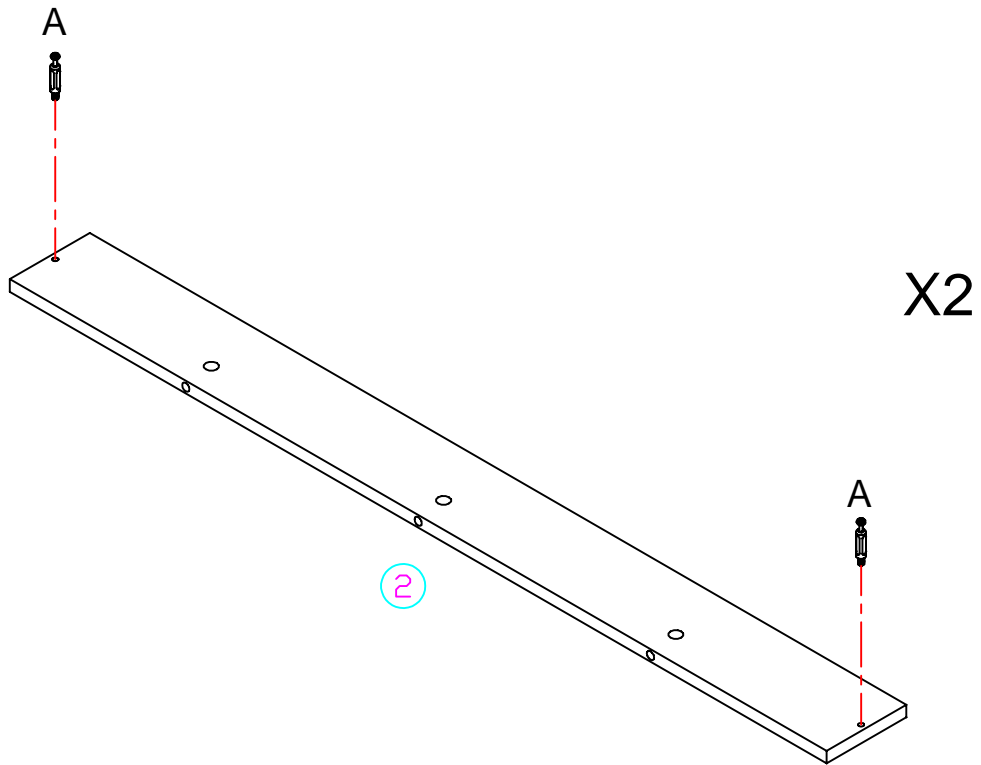


A		16
---	---	----

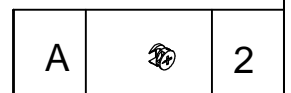
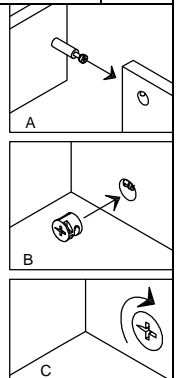
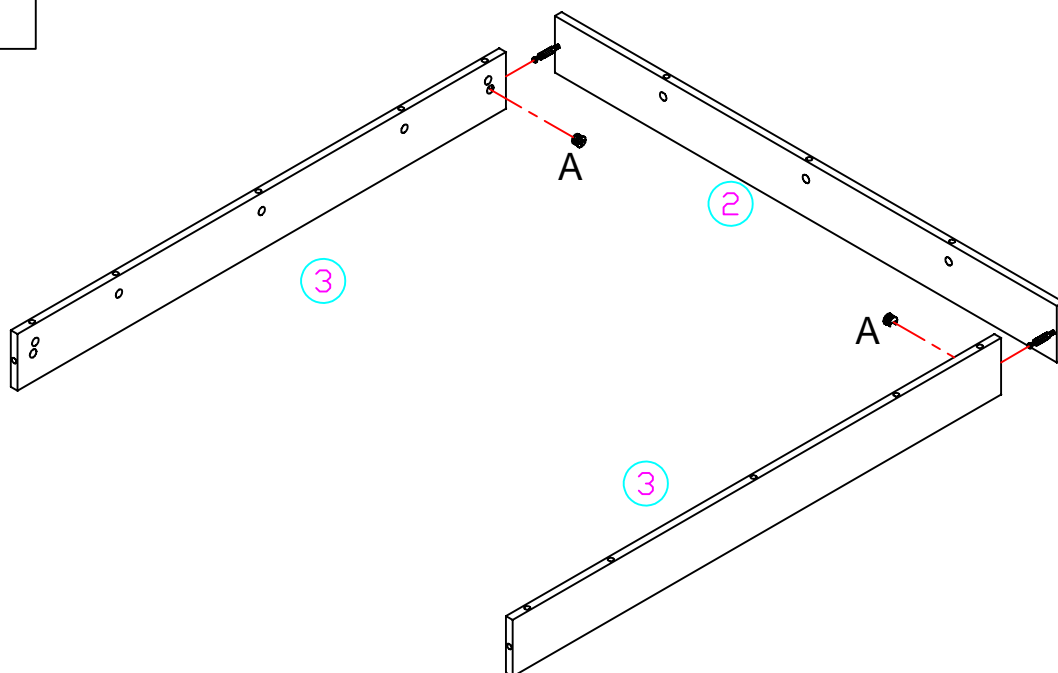
# ASSEMBLY INSTRUCTION

# P12

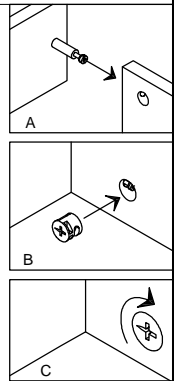
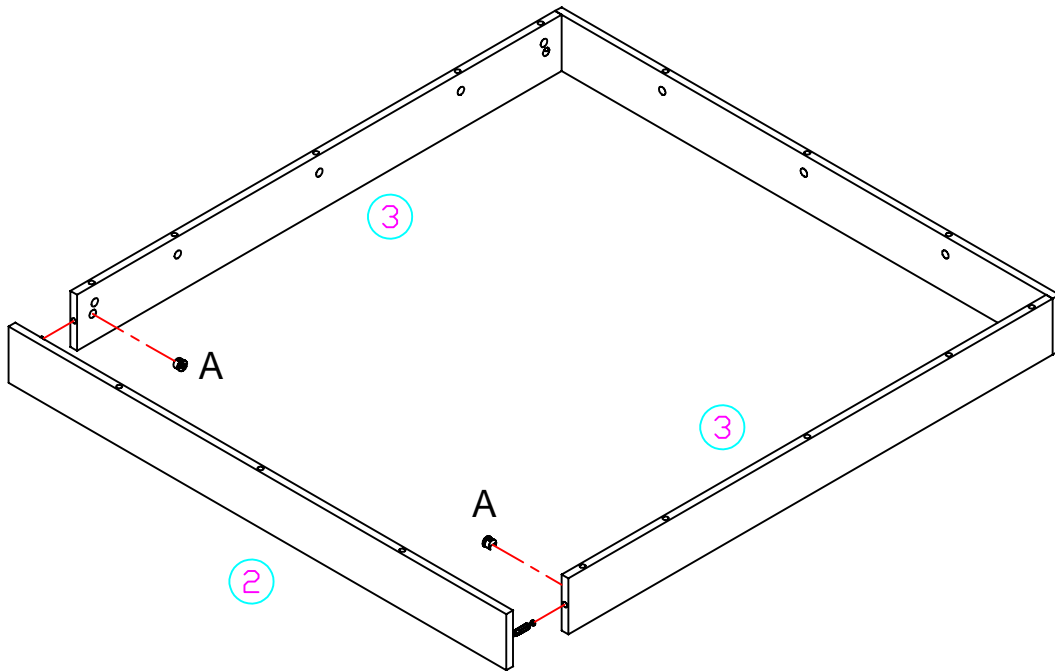
16



17

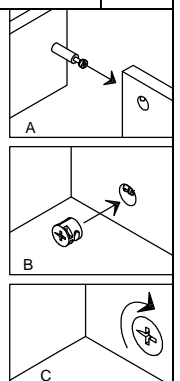
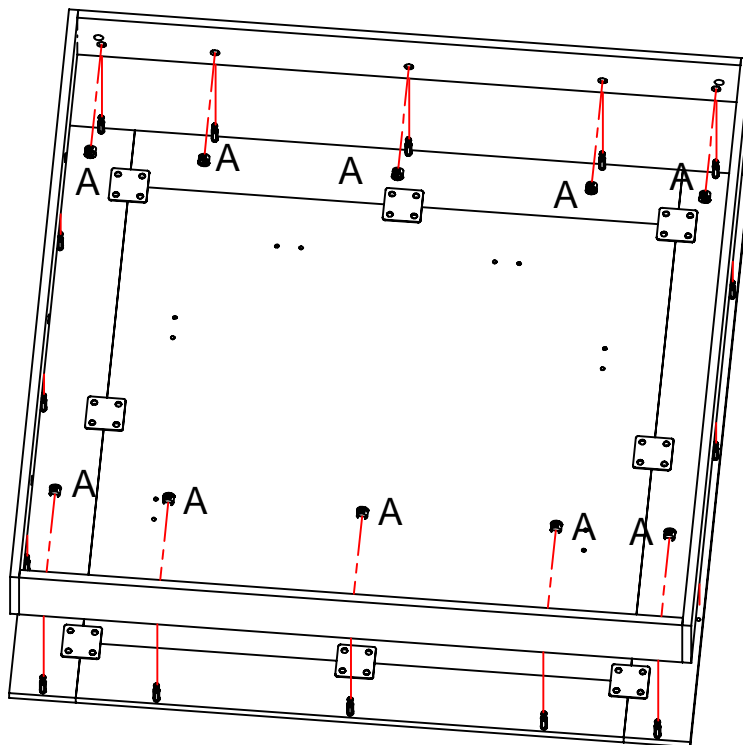


18



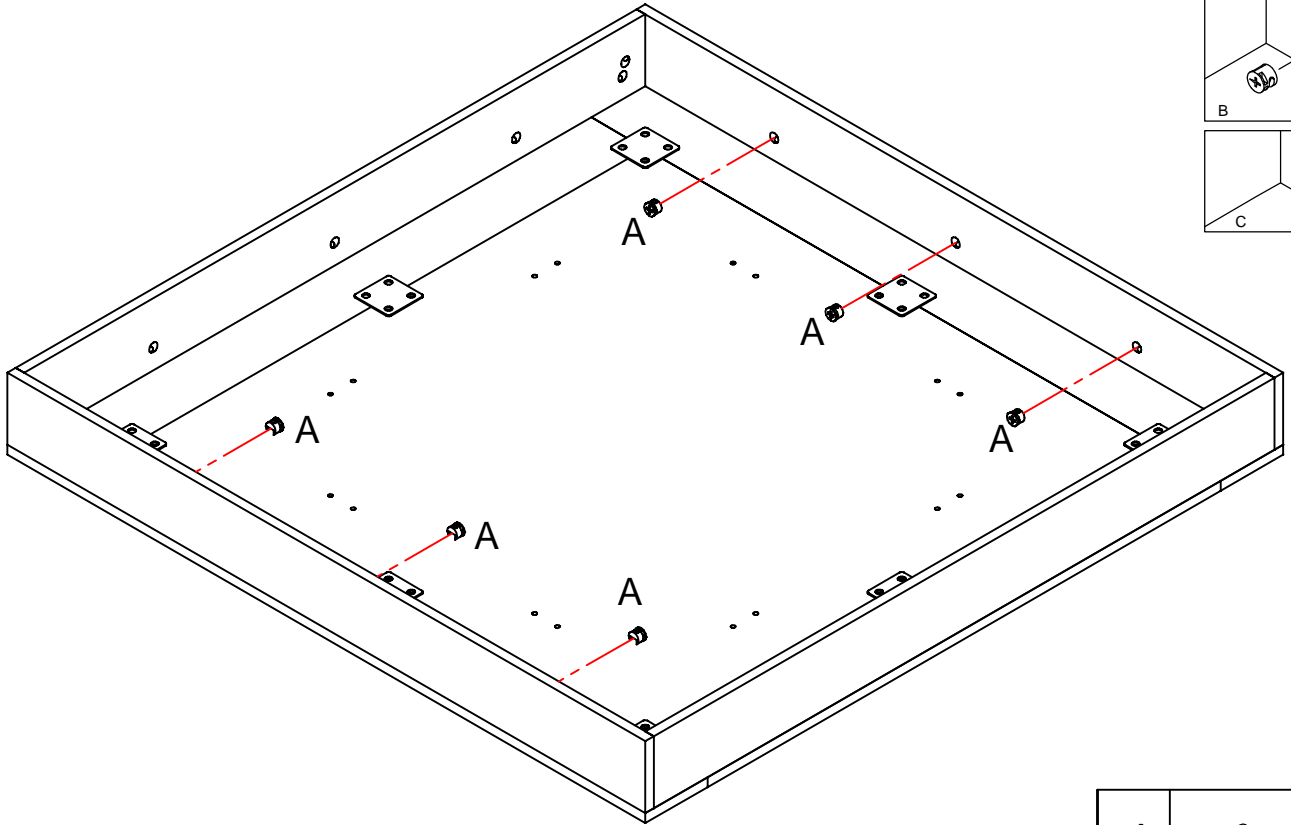
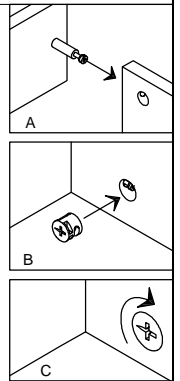
A		2
---	--	---

19



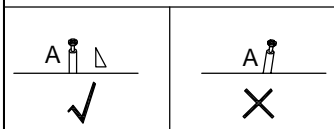
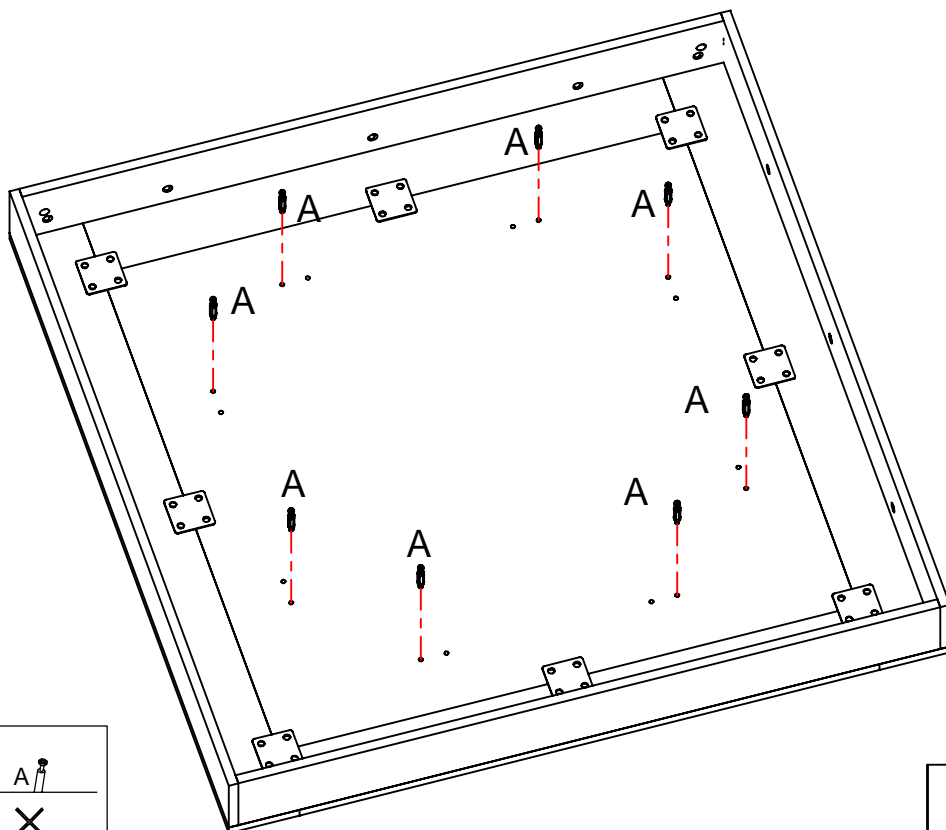
A		10
---	--	----

20



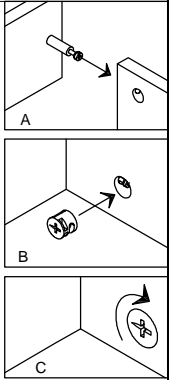
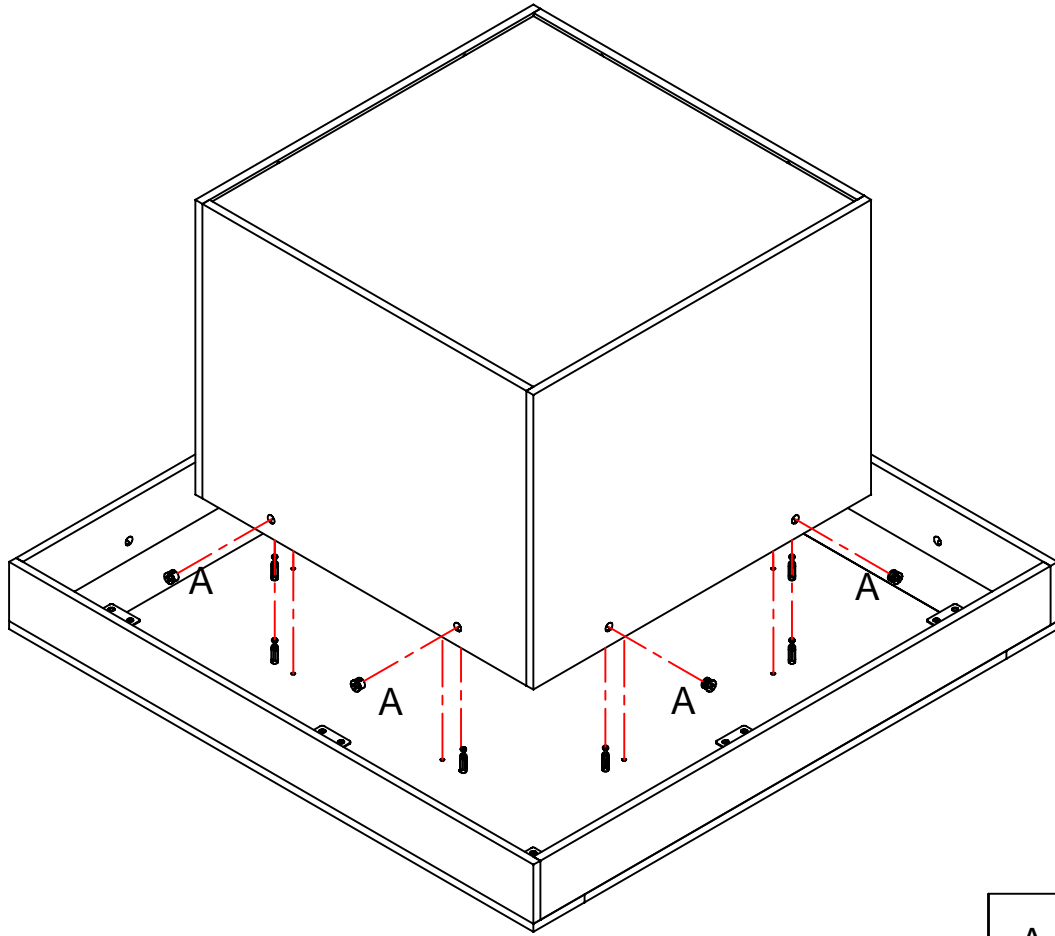
A		6
---	--	---


21



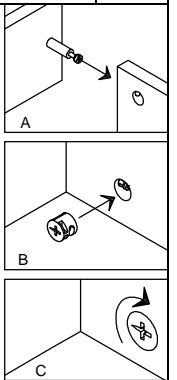
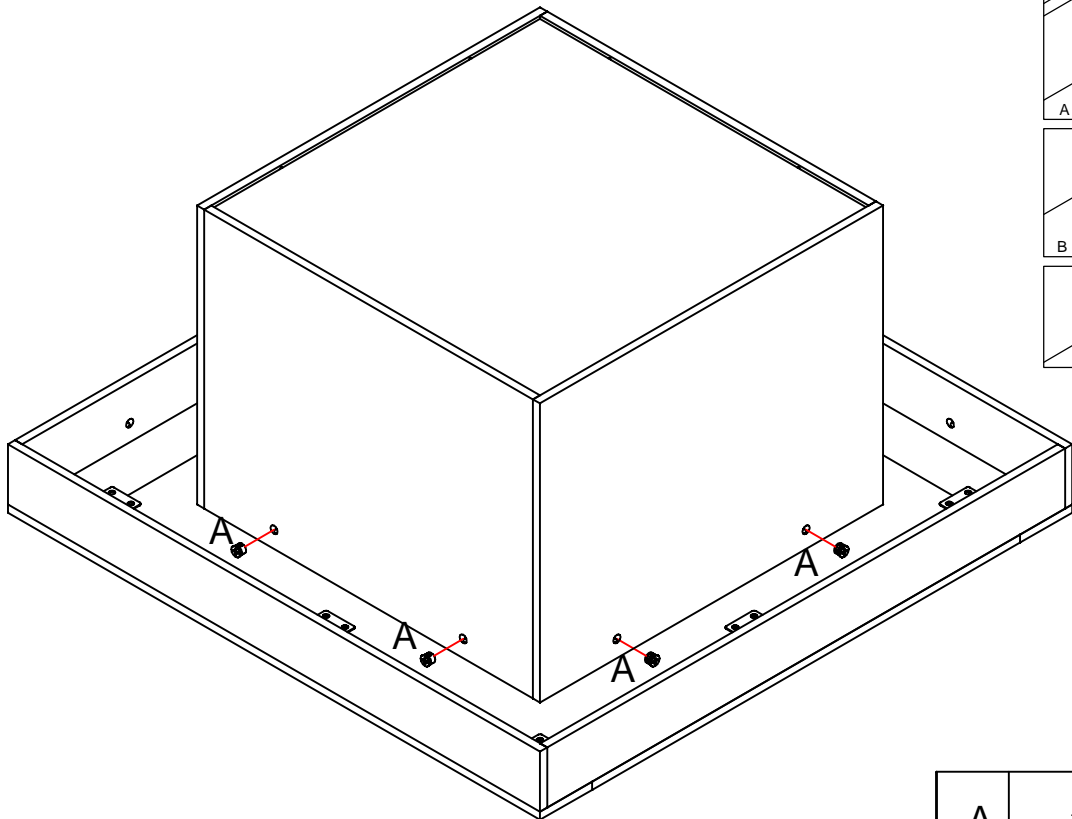
A		8
---	--	---


22



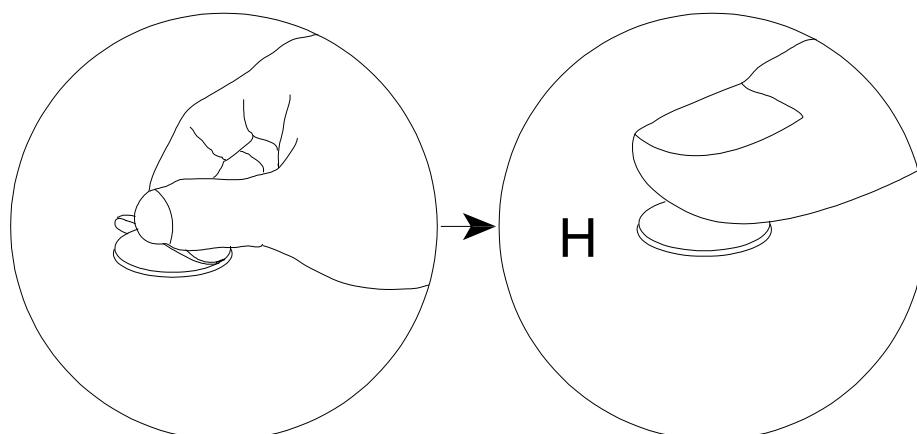
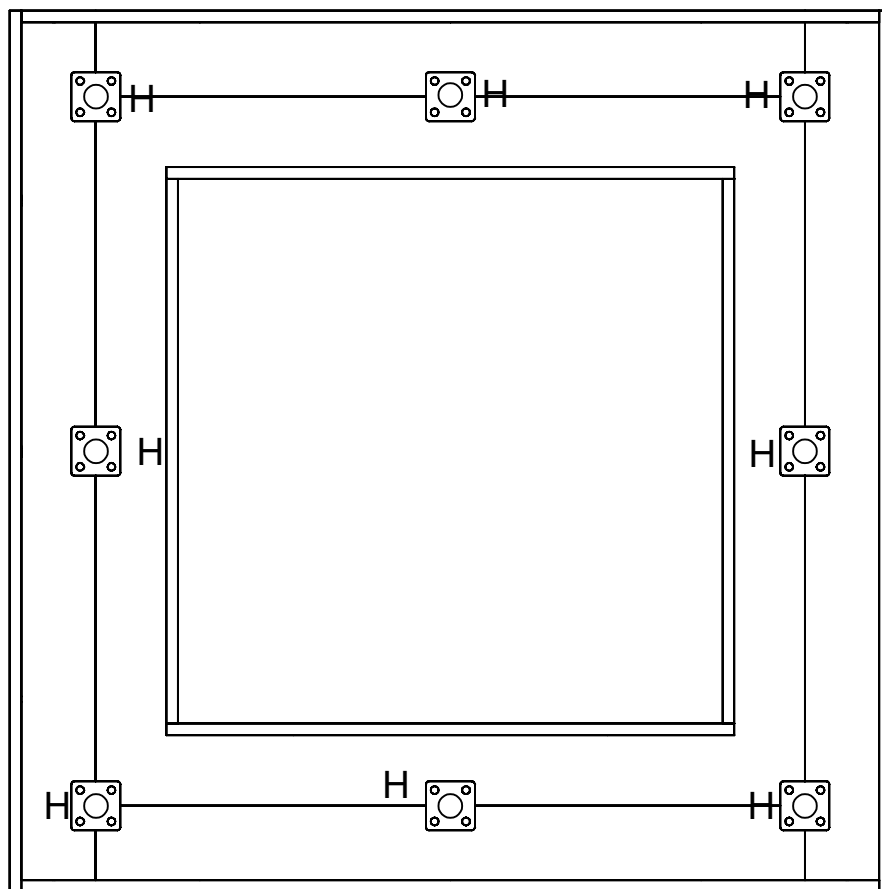
A		4
---	---	---


23



A		4
---	---	---

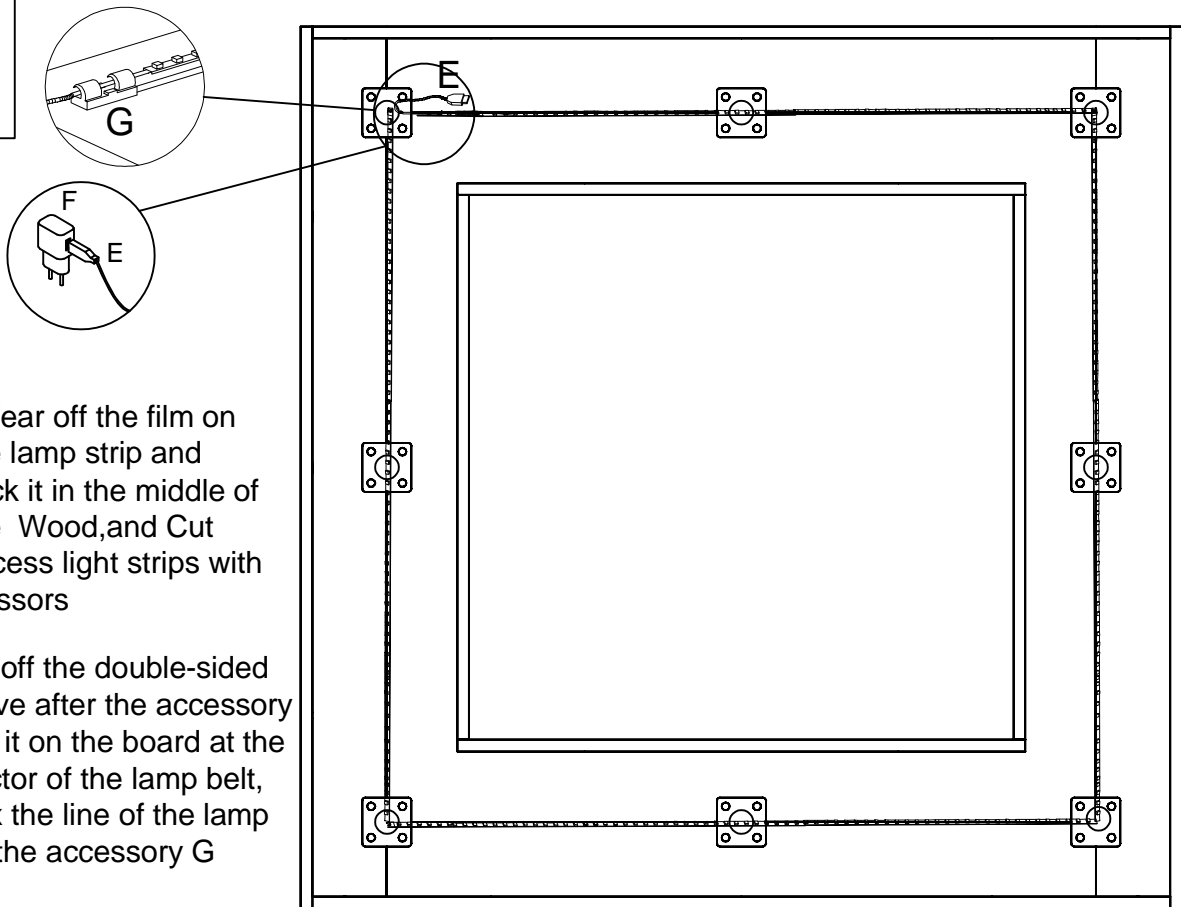
24



H		8
---	---	---

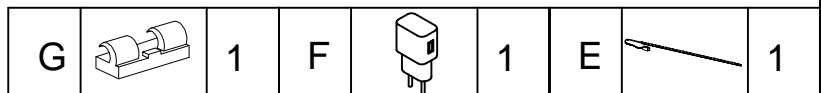


25



1:Tear off the film on the lamp strip and stick it in the middle of the Wood,and Cut excess light strips with scissors

2:Tear off the double-sided adhesive after the accessory G,stick it on the board at the connector of the lamp belt, then fix the line of the lamp belt to the accessory G



26

