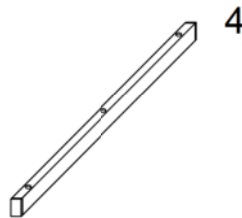
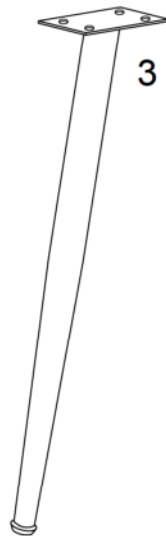
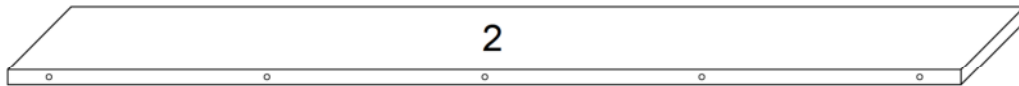
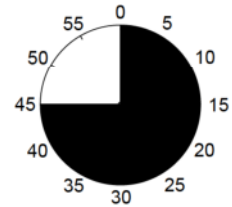
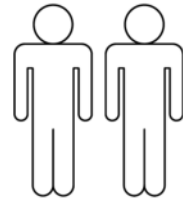
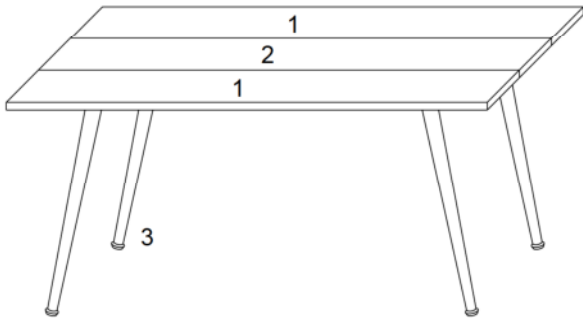


P292, P293, P301

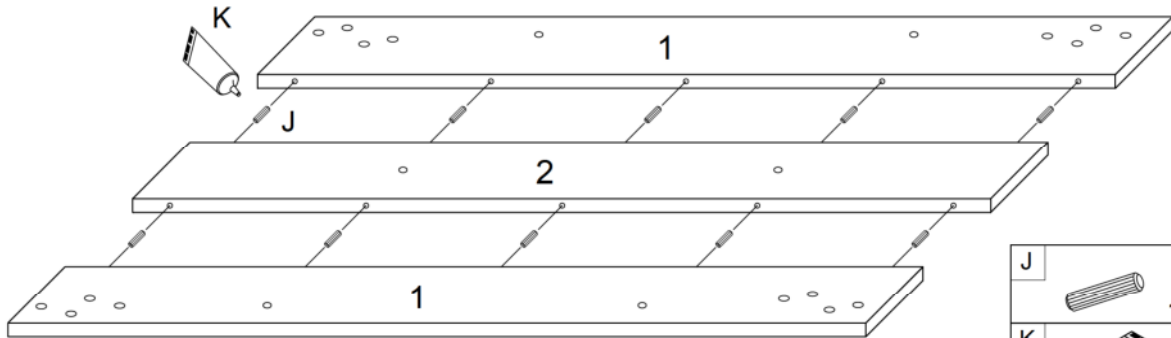






| | | |
|---|----|-----|
| | | |
| 1 | 2x | 1/2 |
| 2 | 1x | 1/2 |
| 3 | 4x | 2/2 |
| 4 | 2x | 2/2 |

| | | | | | | | | | | | |
|---|-------------|---|--------------|---|---------------------|---|--------------|---|-------------|---|------------|
| A | M6x35 6x | B | M8x16 16x | C | D18*D8*1.5mm 16x | D | M8x12 16x | E | M6x12 6x | F | SW 5 1x |
| G | SW 6 1x | H | SW 8 1x | J | 8x30 10x | K | 2x | | | | |

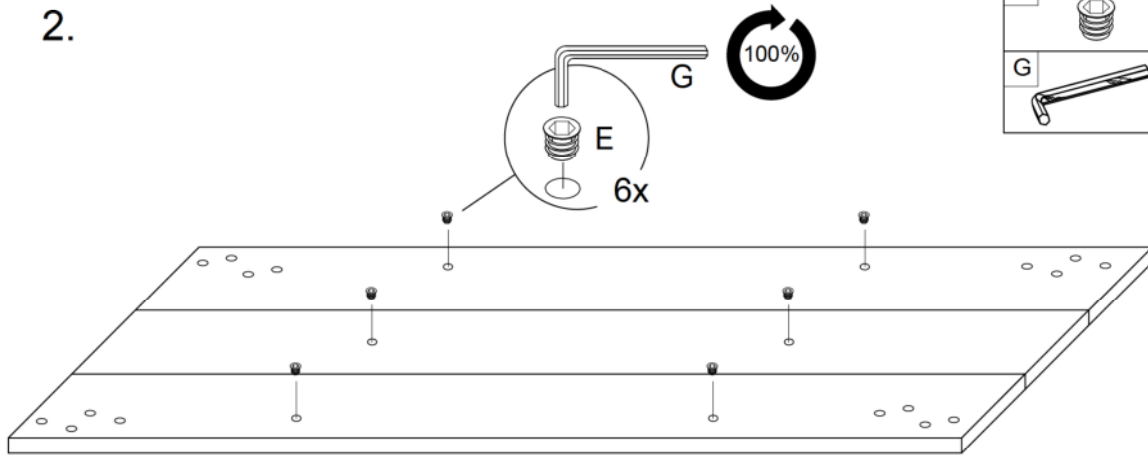
I.

1.

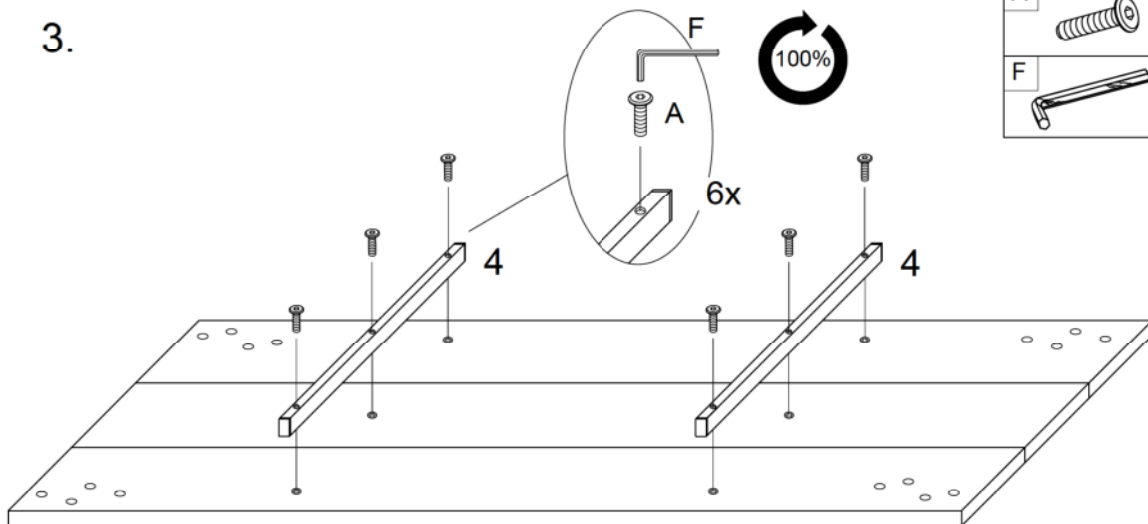




| | |
|---|------------|
| J | 8x30 |
|  | 10x |
| K | |
|  | 1x |
| E | M6x12 |
|  | 6x |
| G | SW6 |
|  | 1x |

2.



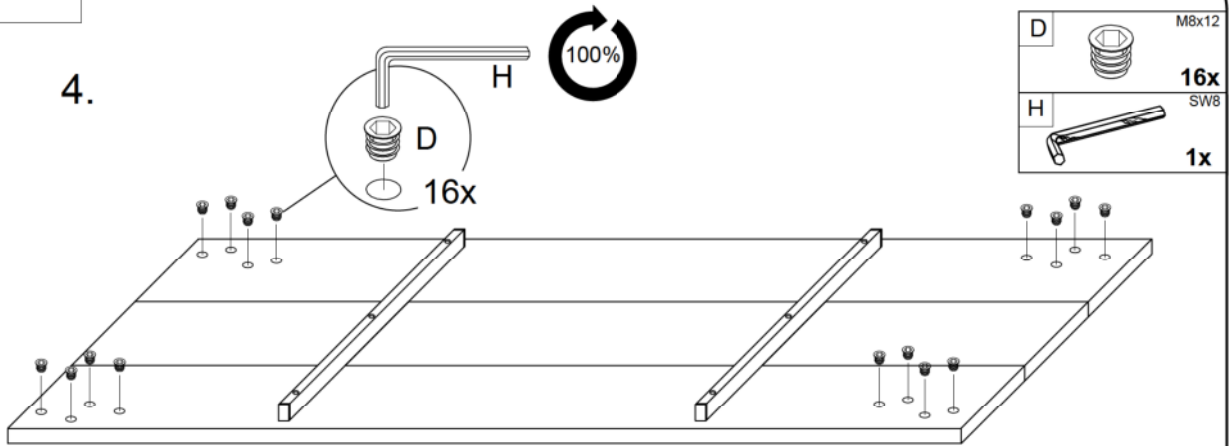
3.



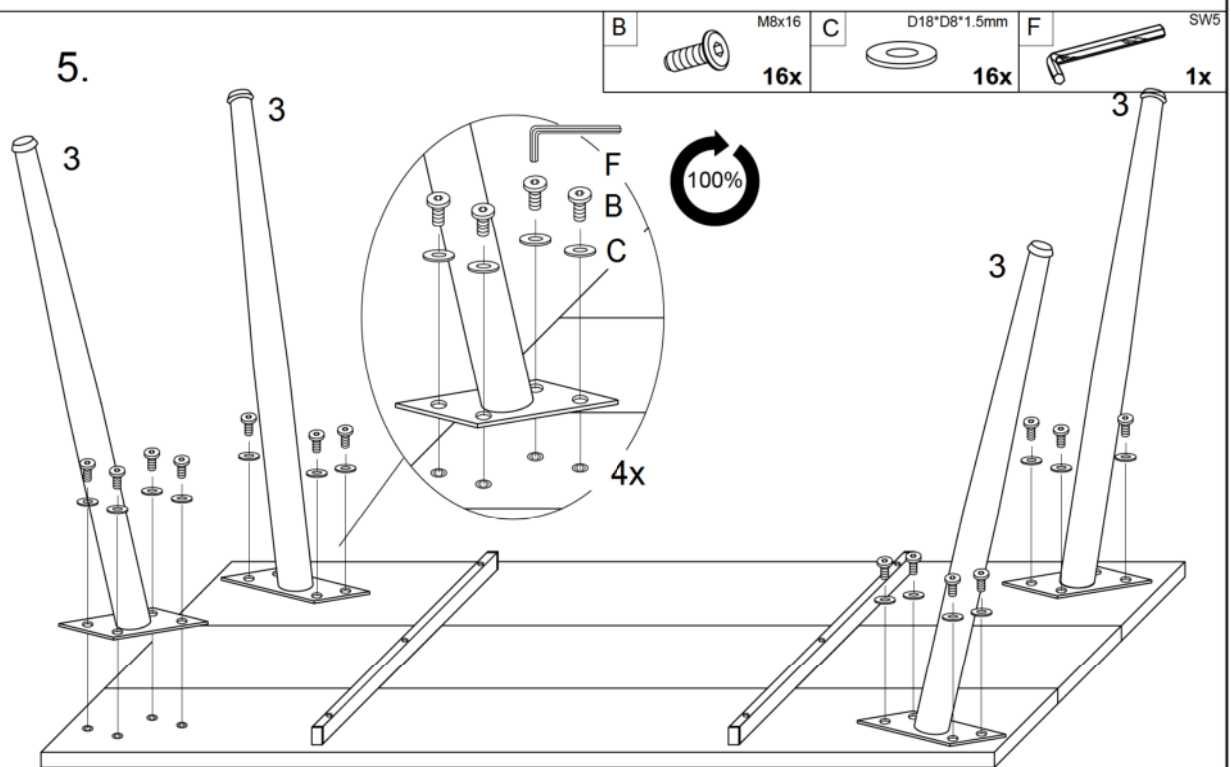
| | |
|---|-----------|
| A | M6x35 |
|  | 6x |
| F | SW5 |
|  | 1x |

II.

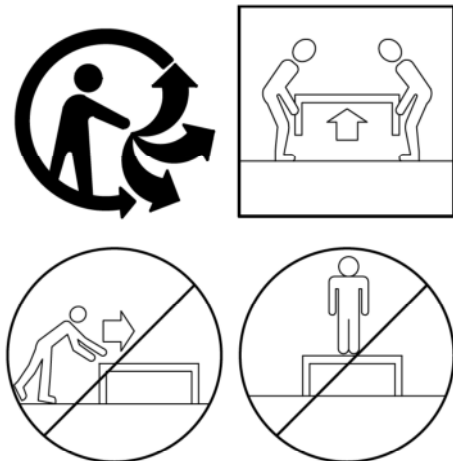
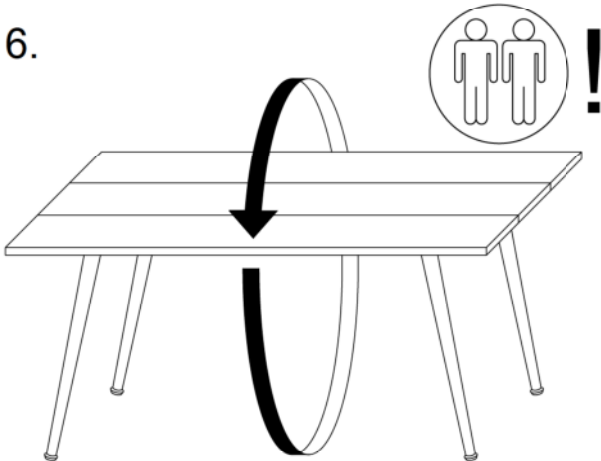
4.



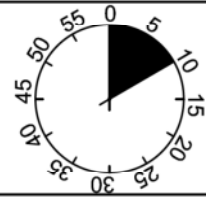
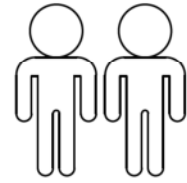
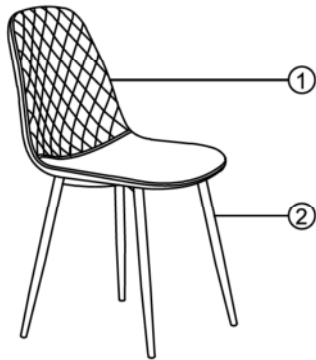
5.



6.

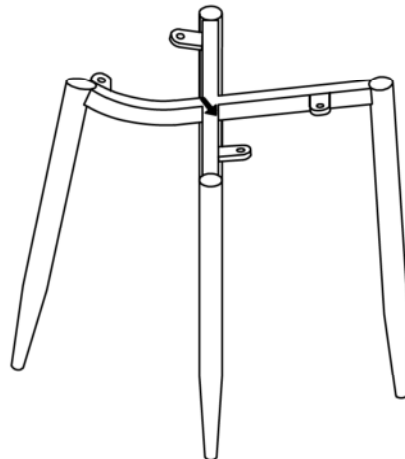
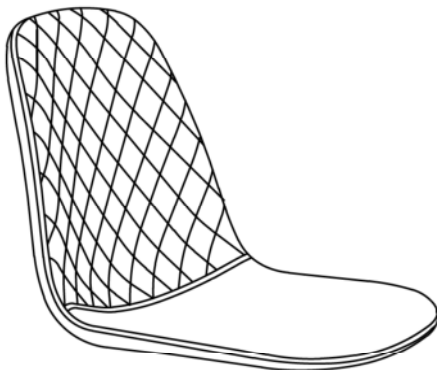


Mira



1

2



| | |
|---|----|
| 1 | 1X |
| 2 | 1X |



1/1

A

M6x16

B

Ø18xØ6x1.5

C

4MM



4x



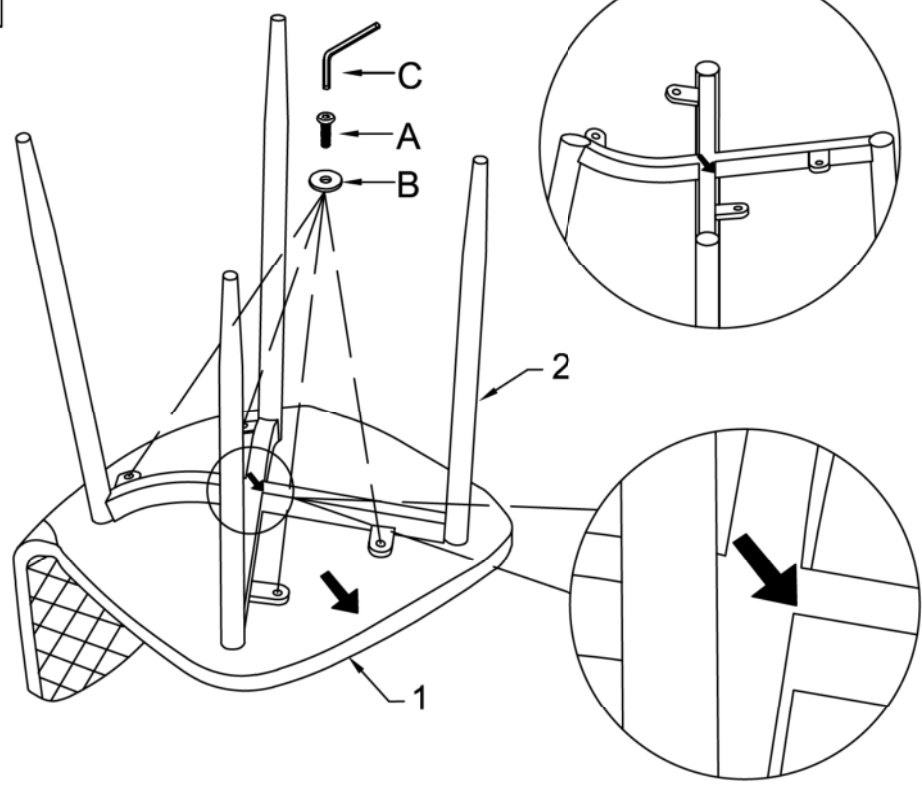
4x







1x

I.



1



- A M6x16
 4x
- B Ø18xØ6x1.5
 4x
- C 4MM
 1x
-  75%

2



- C 4MM
 1x
-  100%



LE TRI
+ FACILE



Séparez les éléments avant de trier