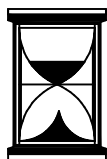
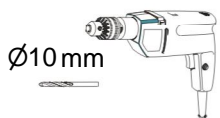
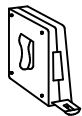
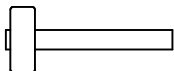
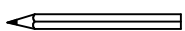
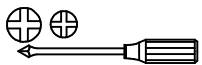
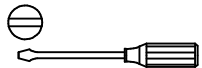
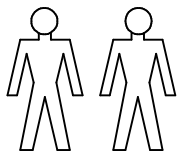
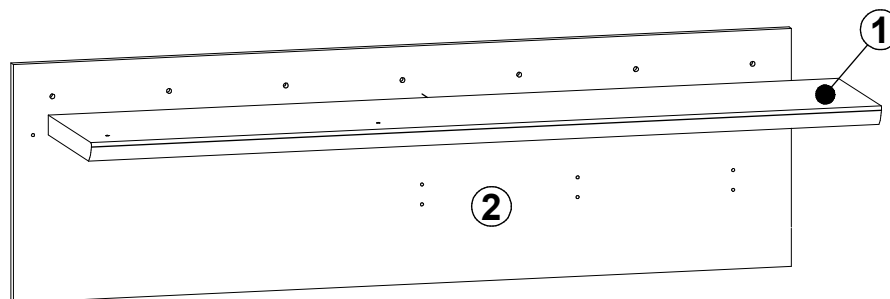
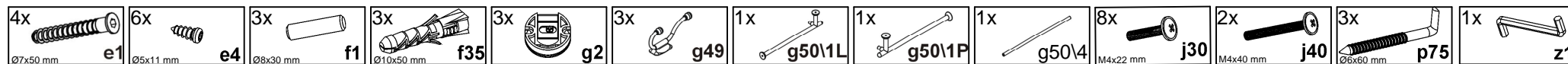
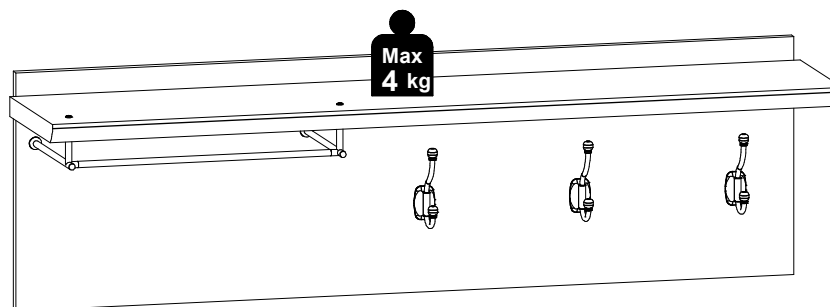


**A****M196-PAN/4/13****3064--40**

2 / 6

**30min**

A	B	C (mm)		D
1	M196-3007	1300	264	1/1
2	M196-4301	1280	384	1/1



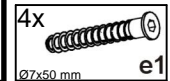
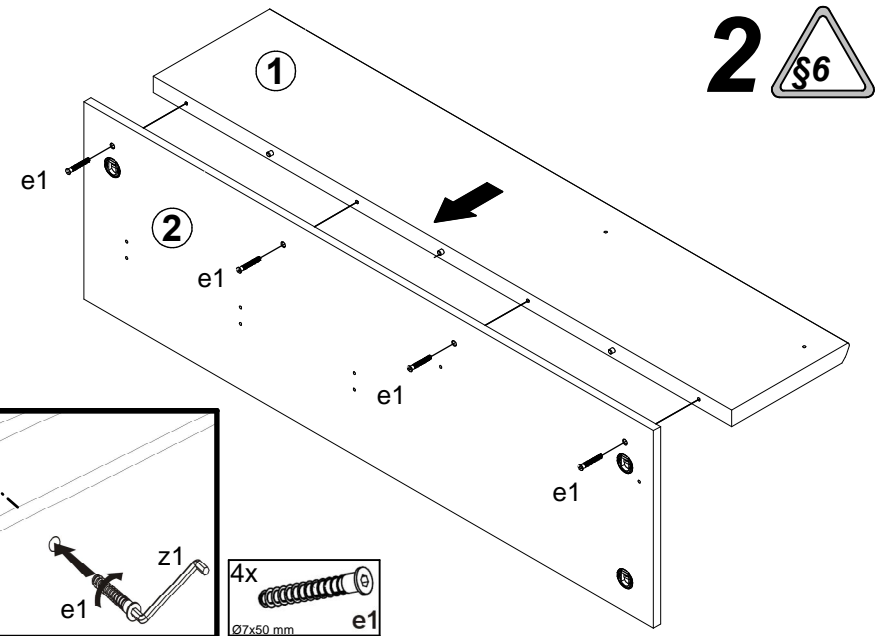
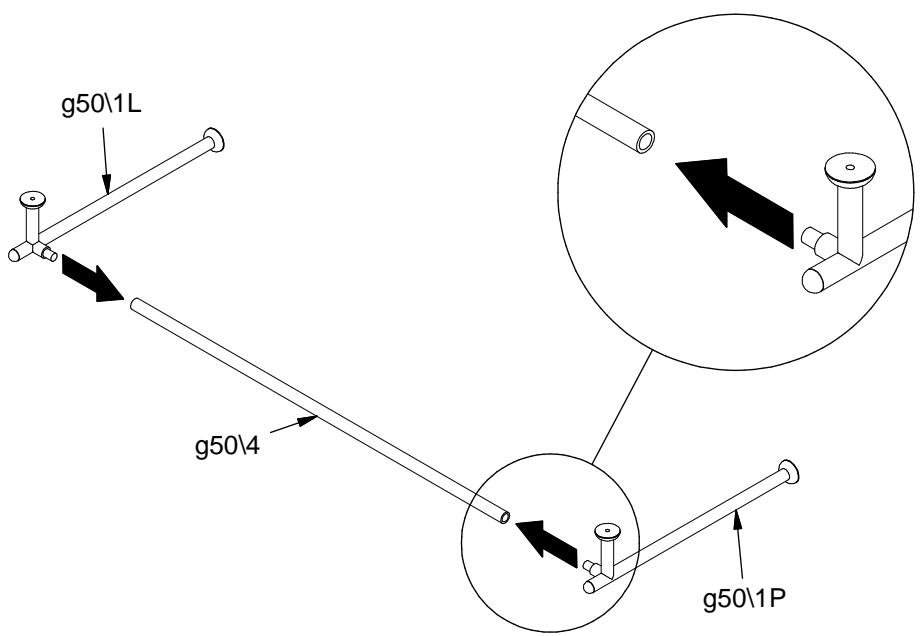
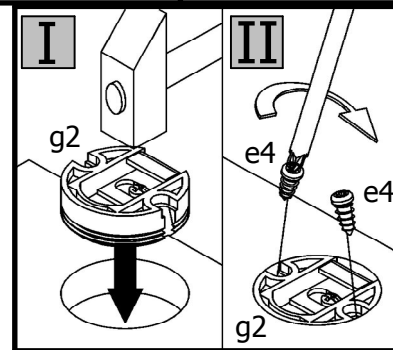
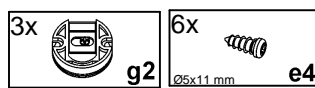
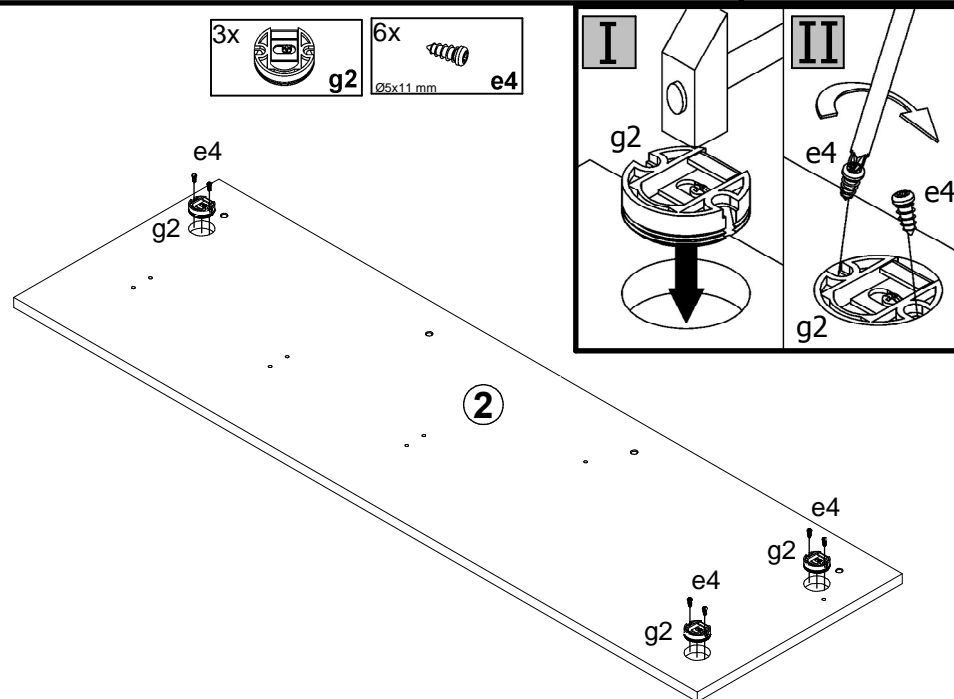
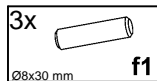
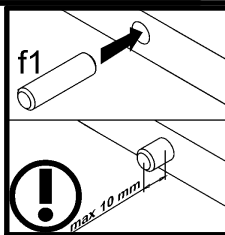
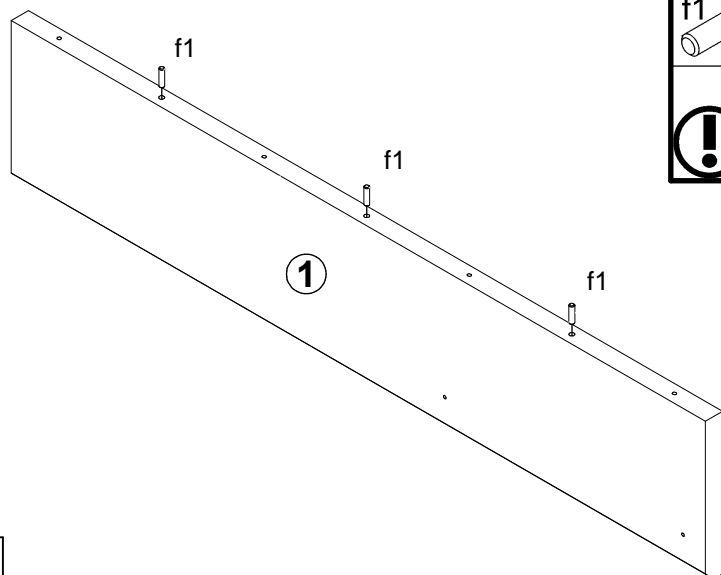
A

M196-PAN/4/13

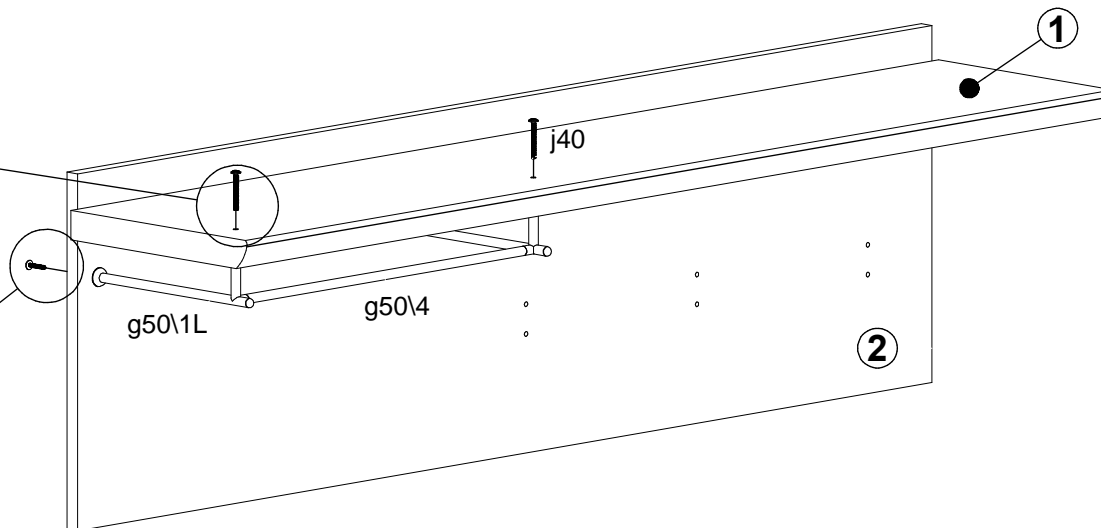
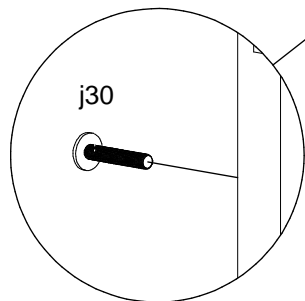
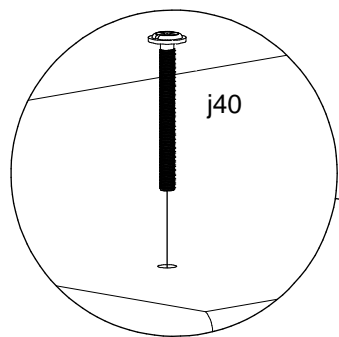
3064--40

3 / 6

1

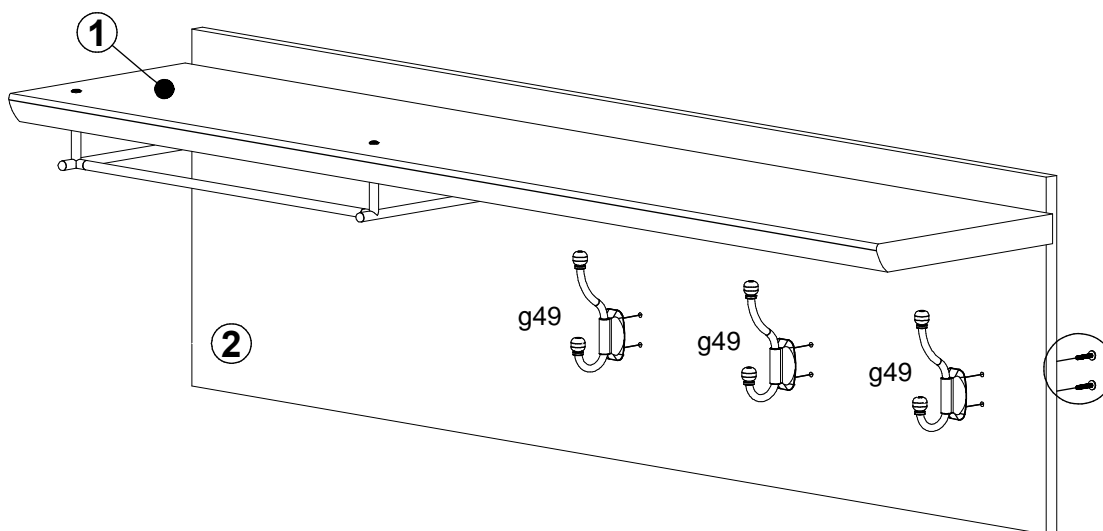


3



- 2x **j40**  
M4x40 mm
- 2x **j30**  
M4x22 mm
- 1x **g50\4**
- 1x **g50\1L**
- 1x **g50\1P**

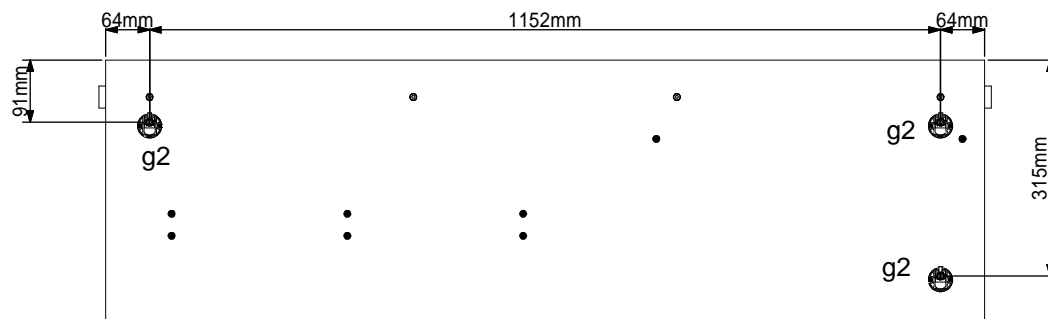
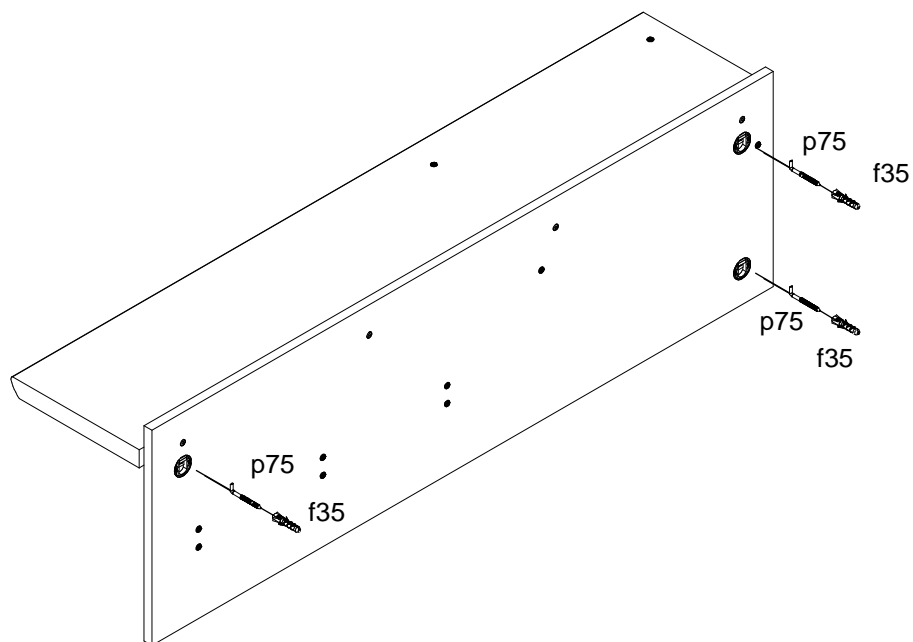
4



- 6x **j30**  
M4x22 mm
- 3x **g49**

5

	<p>φ10 mm</p>	<p>f35</p>	<p>f35 p75</p>	<p>f35 p75</p>	<p>p75</p>	<p>p75</p>	<p>p75</p>
--	---------------	------------	----------------	----------------	------------	------------	------------



<p>3x</p> <p>f35</p>	<p>3x</p> <p>p75</p>
----------------------	----------------------

