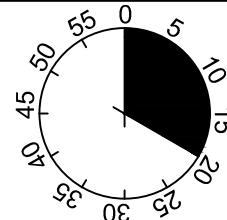
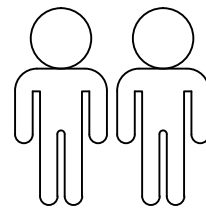
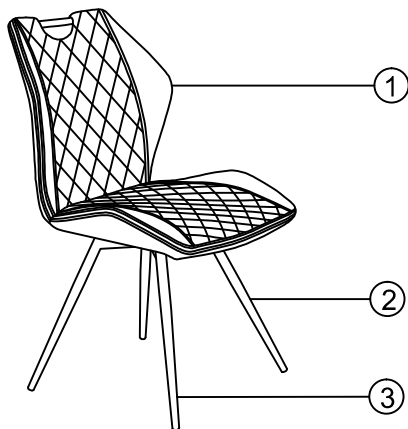
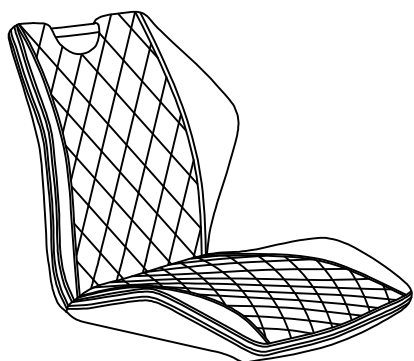


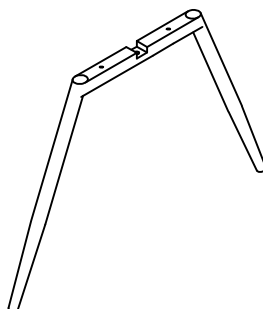
# Katja



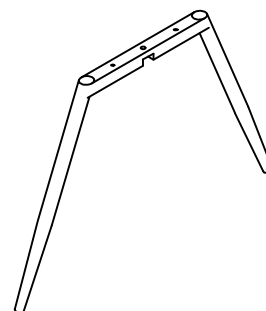
1



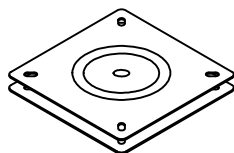
2



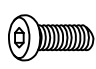
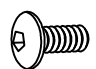
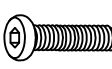


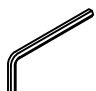
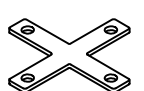
3



4

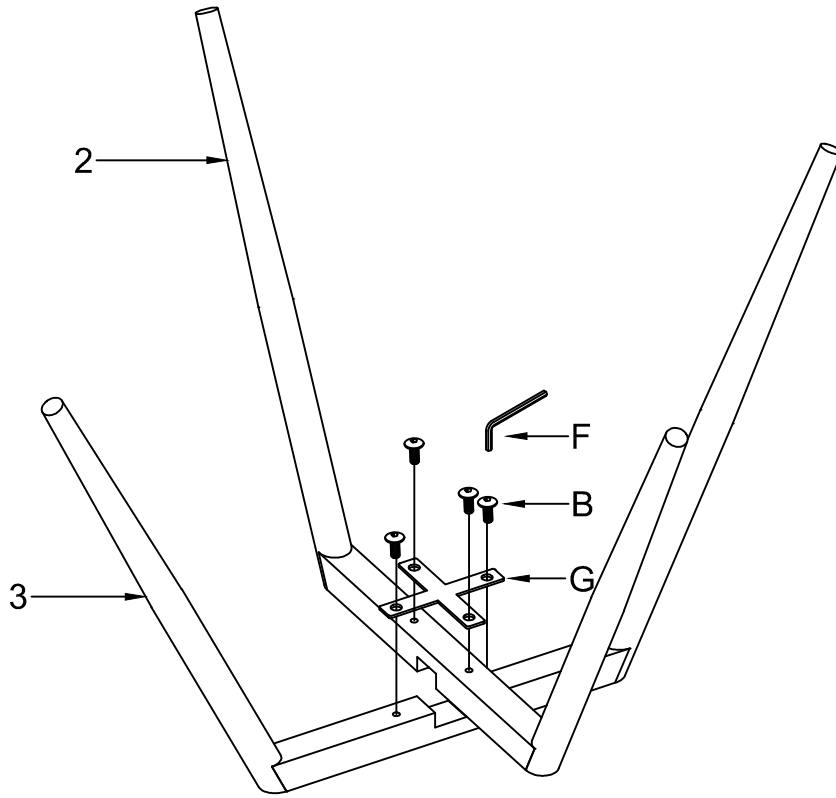


|   |     |
|---|-----|
| 1 | 1 x |
| 2 | 1 x |
| 3 | 1 x |
| 4 | 1 x |

|  |   |   |  |   |   |
|--|---|---|--|---|---|
| <p><b>A</b> M6X20</p>  <p>6x</p>      | <p><b>B</b> M6x13</p>  <p>4x</p> | <p><b>C</b> M6x30</p>  <p>2x</p> | <p><b>D</b> Ø18xØ6x1.5</p>  <p>8x</p> | <p><b>E</b> Ø18xØ8x10</p>  <p>2x</p> | <p><b>F</b> 4MM</p>  <p>1x</p> |
| <p><b>G</b> T2.0x90x90</p>  <p>1x</p> |   |   |  |   |   |

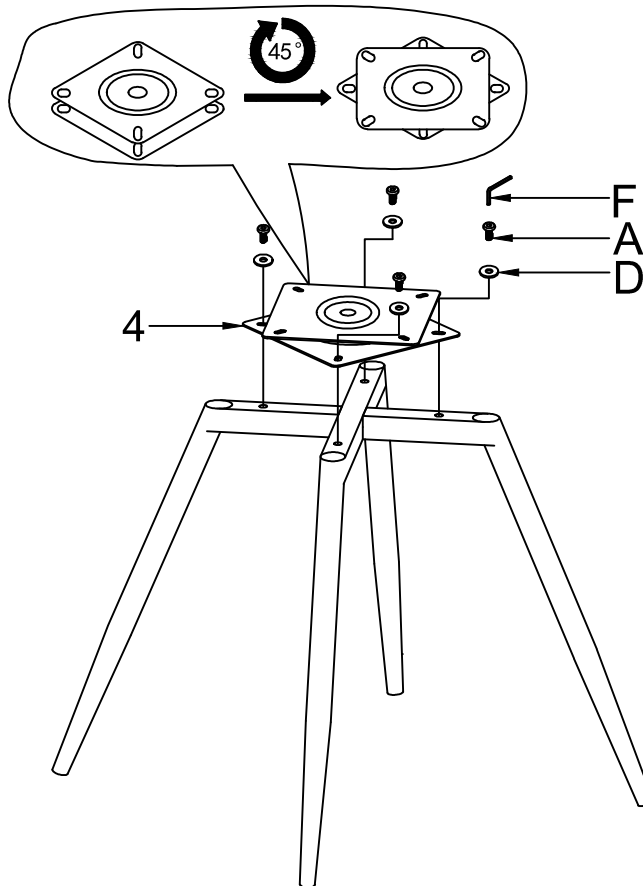
I.

1



|   |            |
|---|------------|
| B | M6x13      |
|   | 4x         |
| F | 4MM        |
|   | 1x         |
| G | T2.0x90x90 |
|   | 1x         |
|   |            |

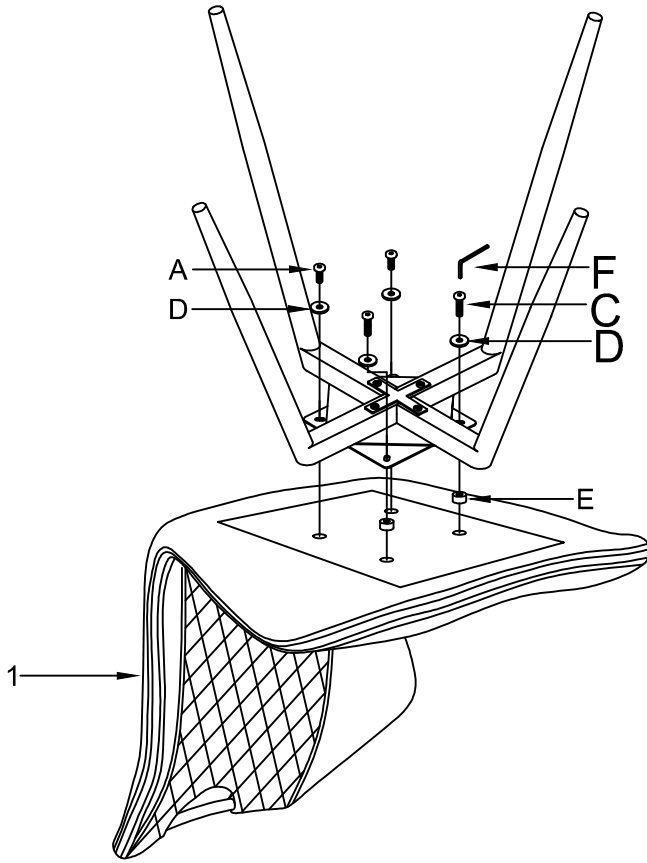
2

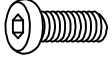


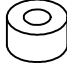




|   |            |
|---|------------|
| A | M6X20      |
|   | 4x         |
| D | Ø18xØ6x1.5 |
|   | 4x         |
| F | 4MM        |
|   | 1x         |
|   |            |

II.

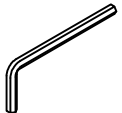

3



|   |            |   |    |
|---|------------|---|----|
| A   | M6X20      |  | 2x |
| C   | M6X30      |  | 2x |
| D   | Ø18xØ6x1.5 |  | 4x |
| E   | Ø18xØ8x10  |  | 2x |
| F   | 4MM        |  | 1x |
|  |            |   |    |

4



|   |     |   |    |
|---|-----|---|----|
| F   | 4MM |  | 1x |
|  |     |   |    |

