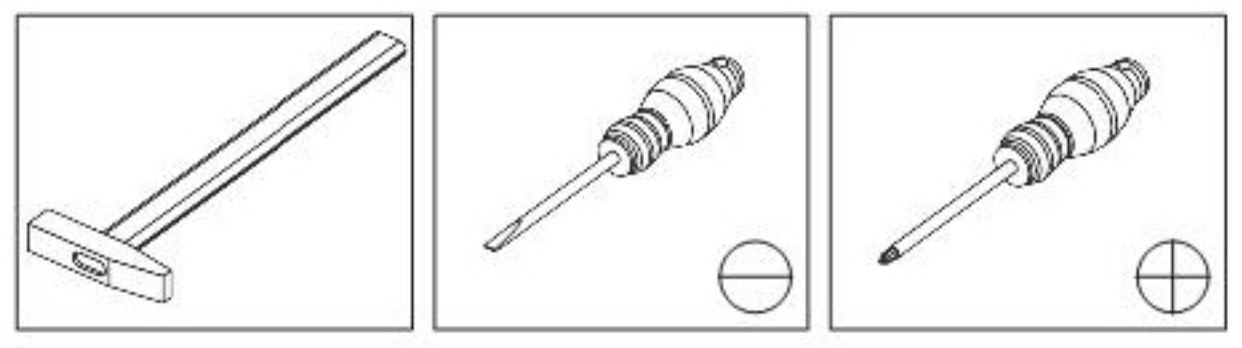
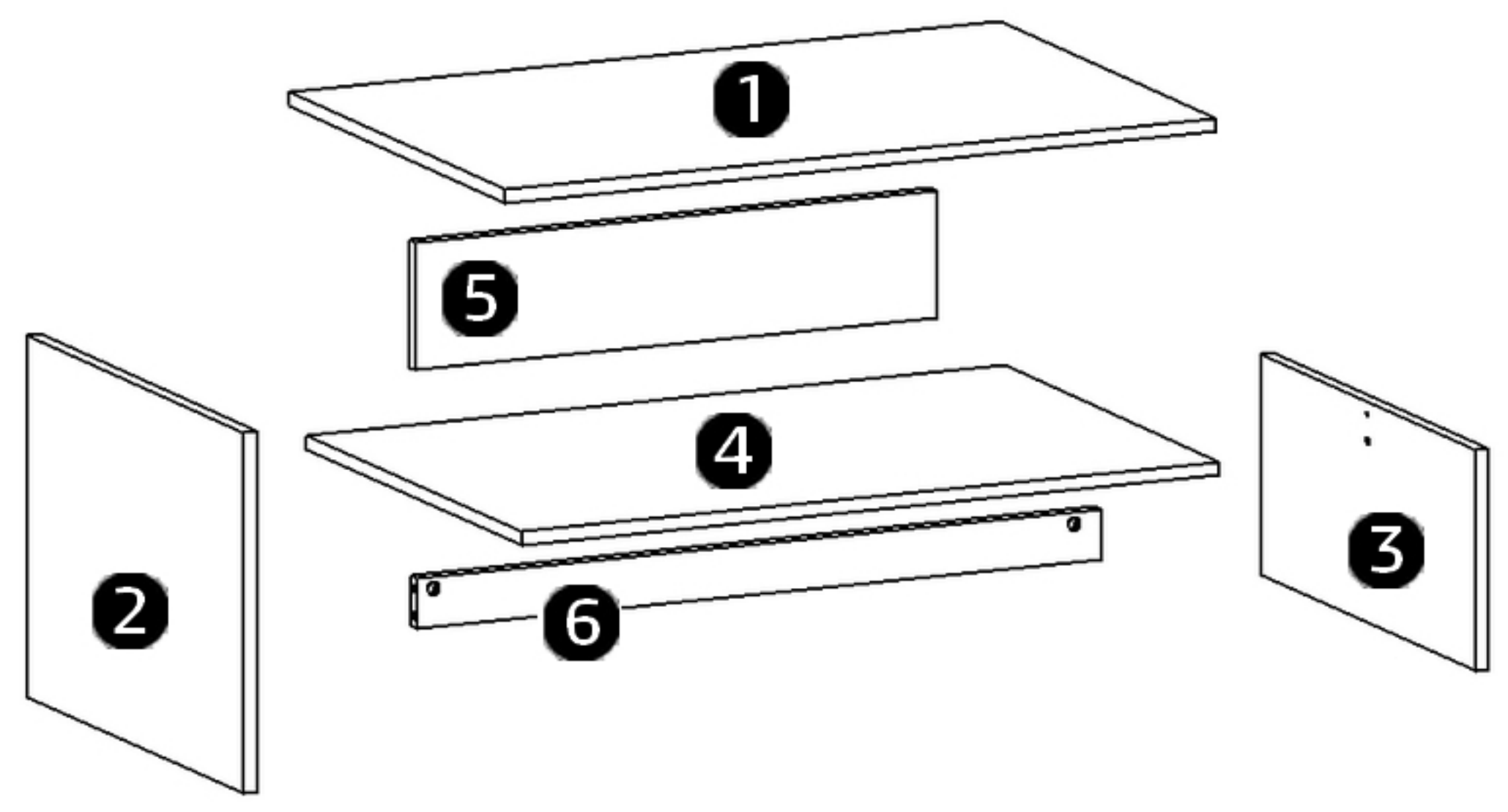
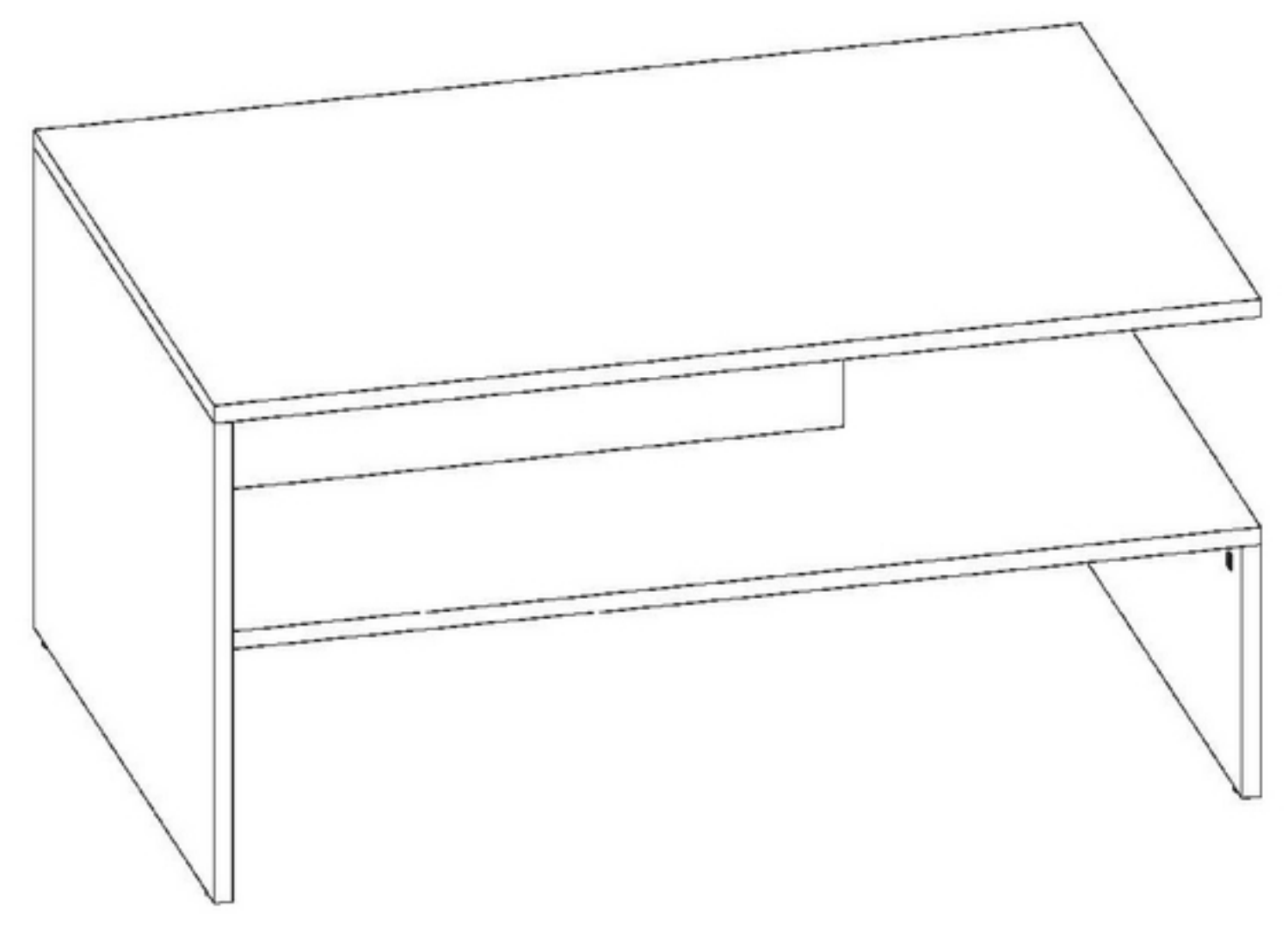
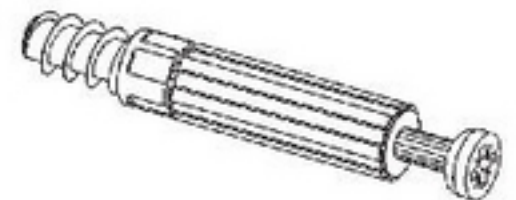



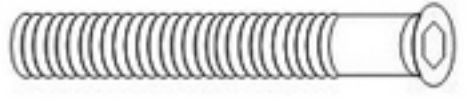
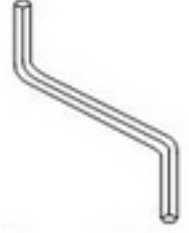



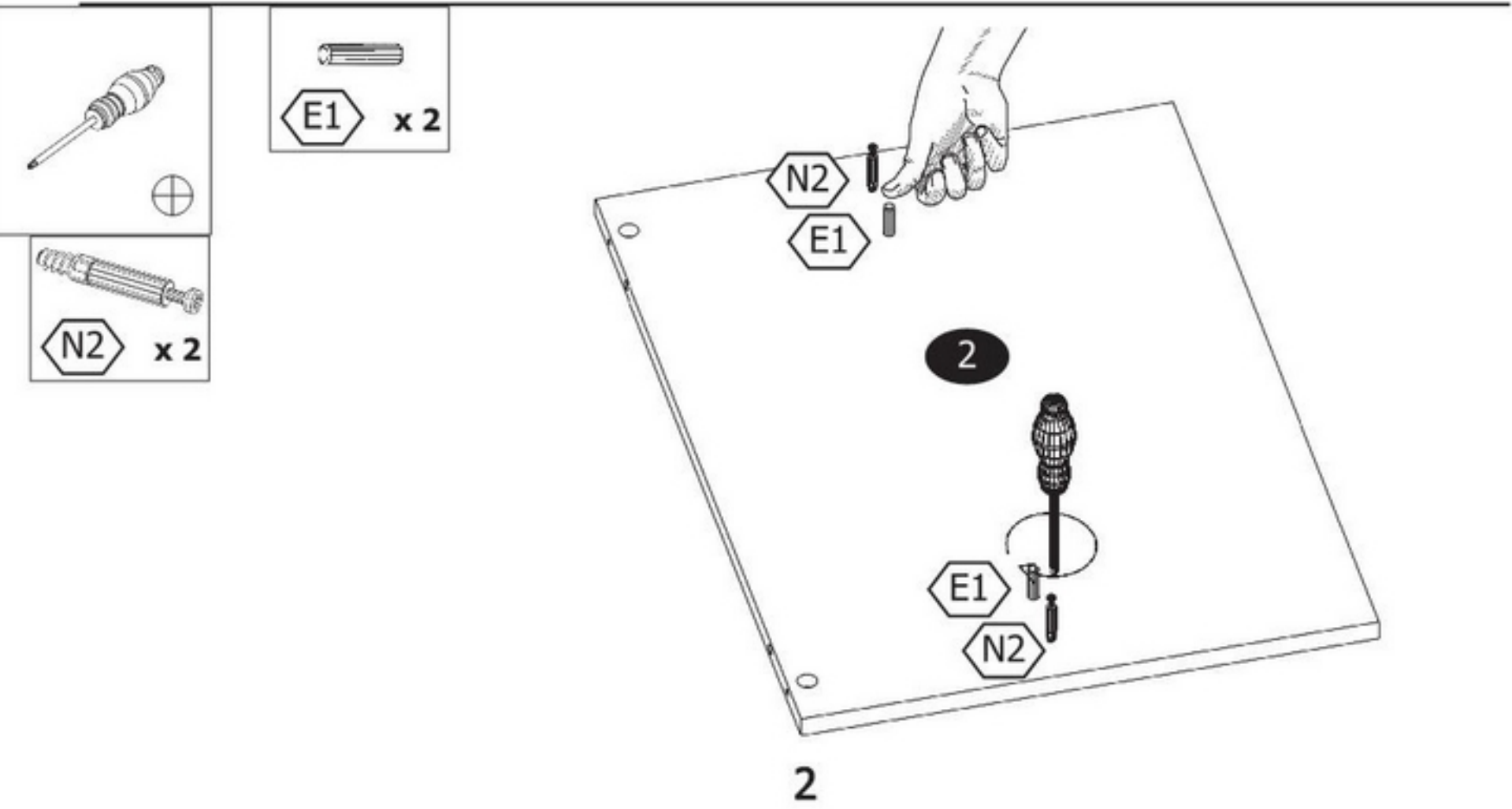
BOSTON



| | | |
|---|---|--|
|  N2 L=45mm x 10 |  E1 8x35mm x 10 |  M3 12x15mm x 10 |
|  T1 x 4 |  T2 7x50mm x 2 |  |
|  T3 ø16mm x 10 | | |

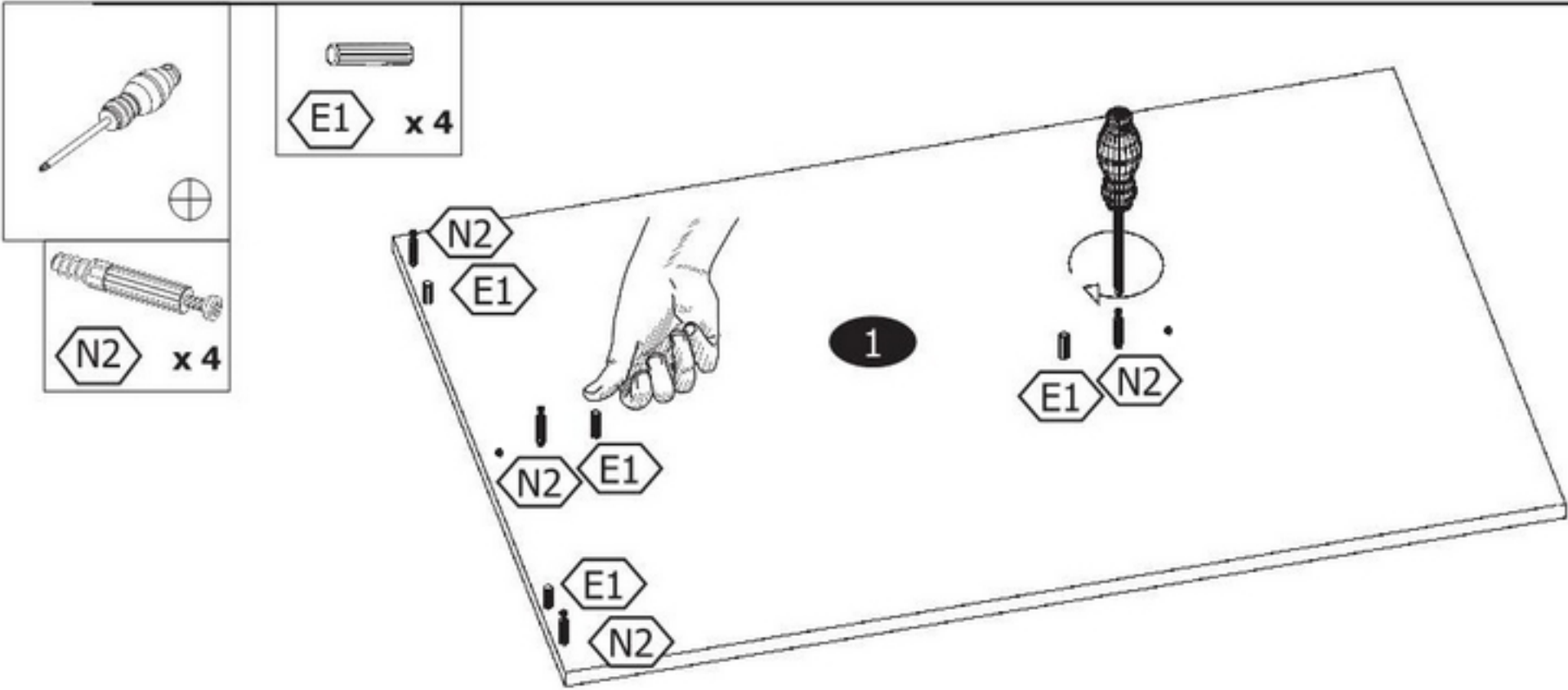
- 1 x 1**
- 2 x 1**
- 3 x 1**
- 4 x 1**
- 5 x 1**
- 6 x 1**

1



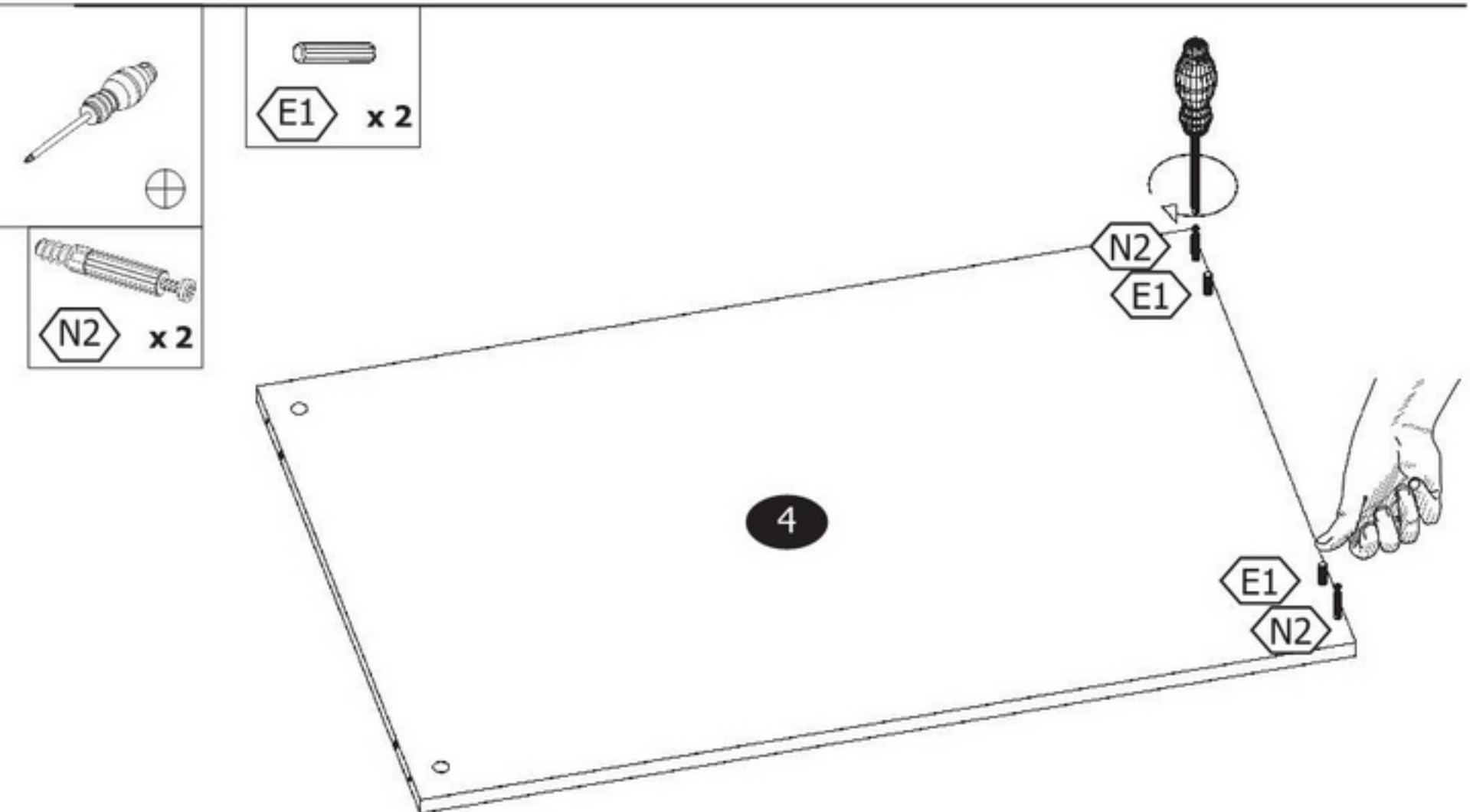
2

E1 x 4



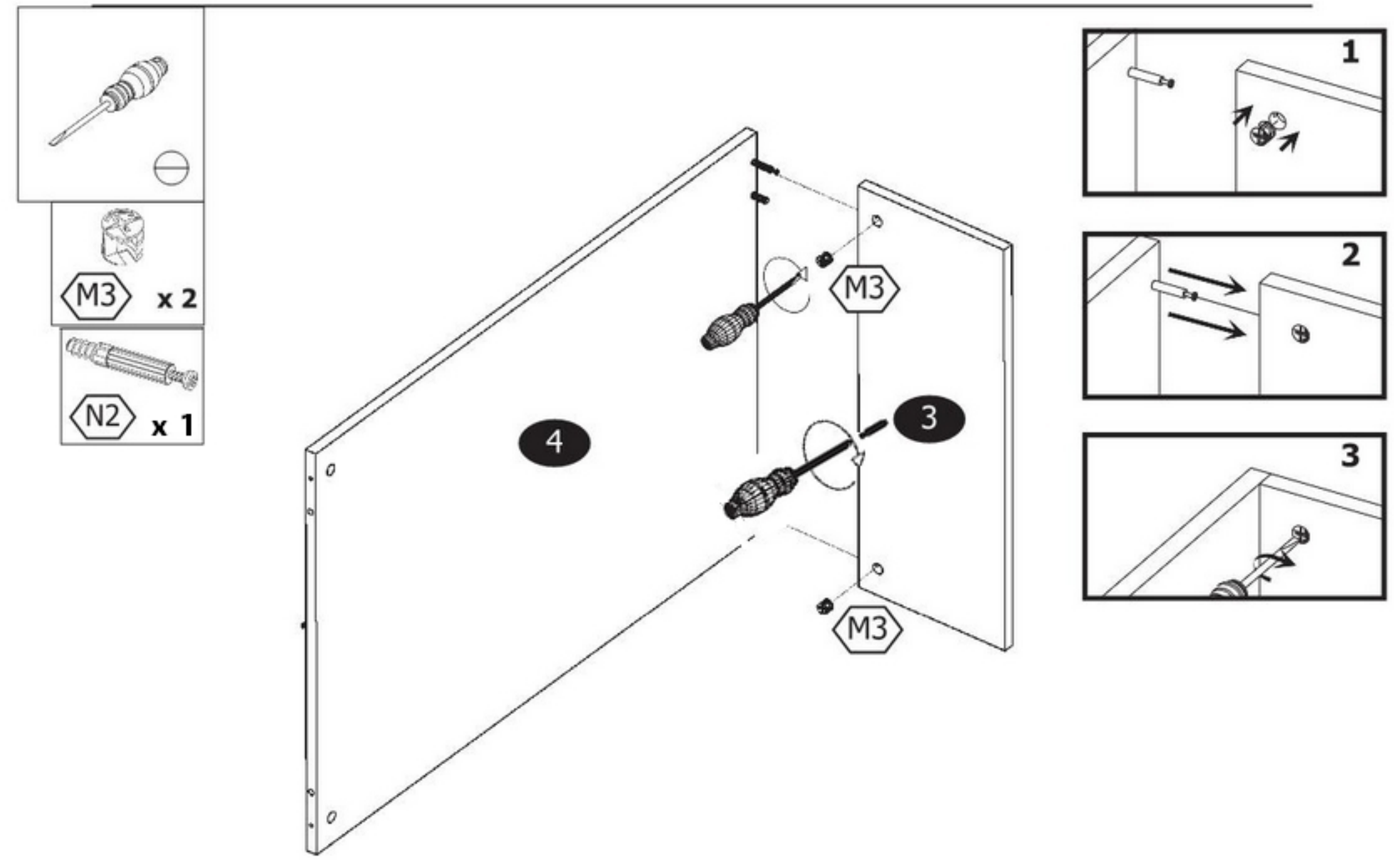
3

E1 x 2



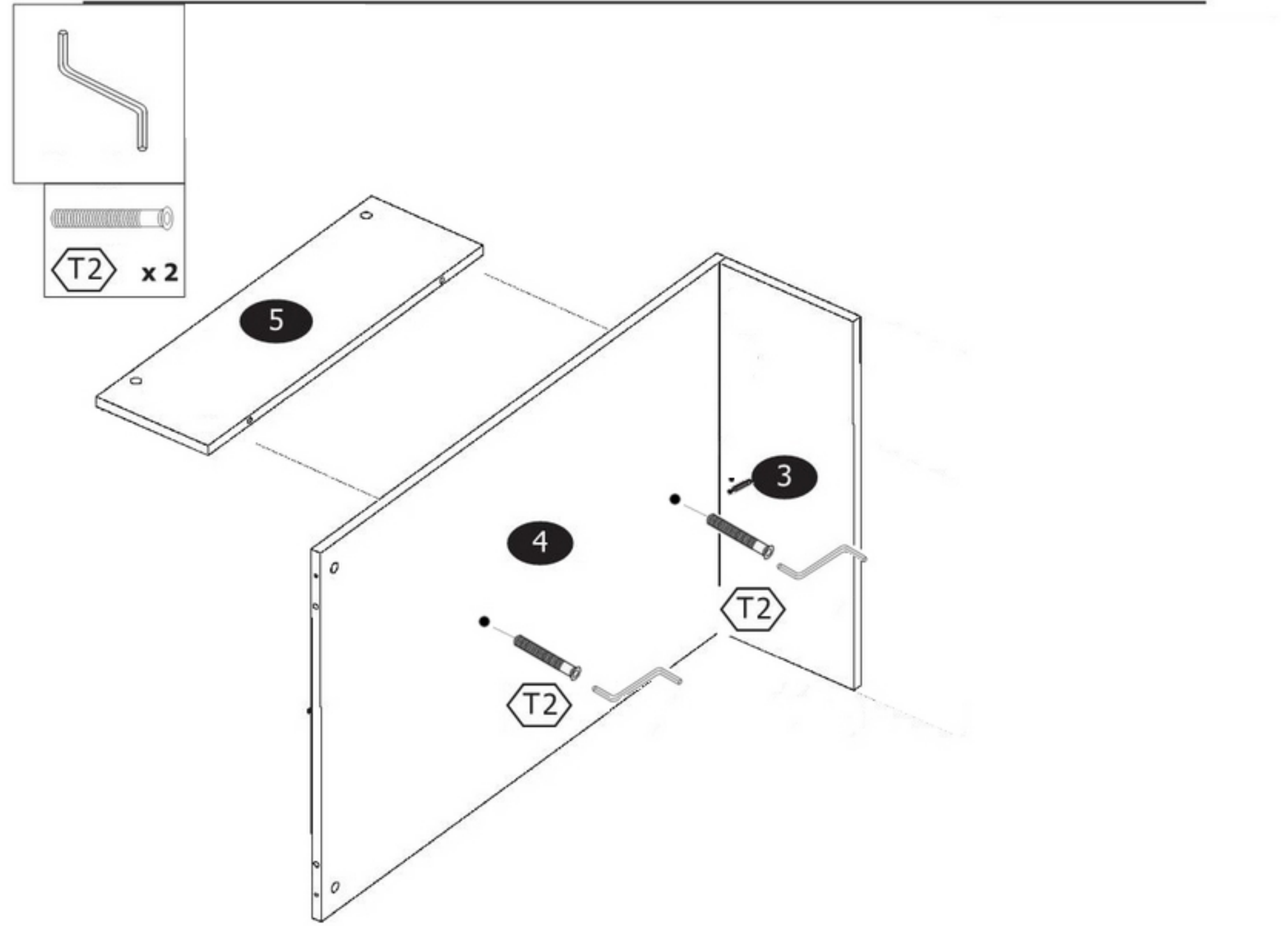
4

4

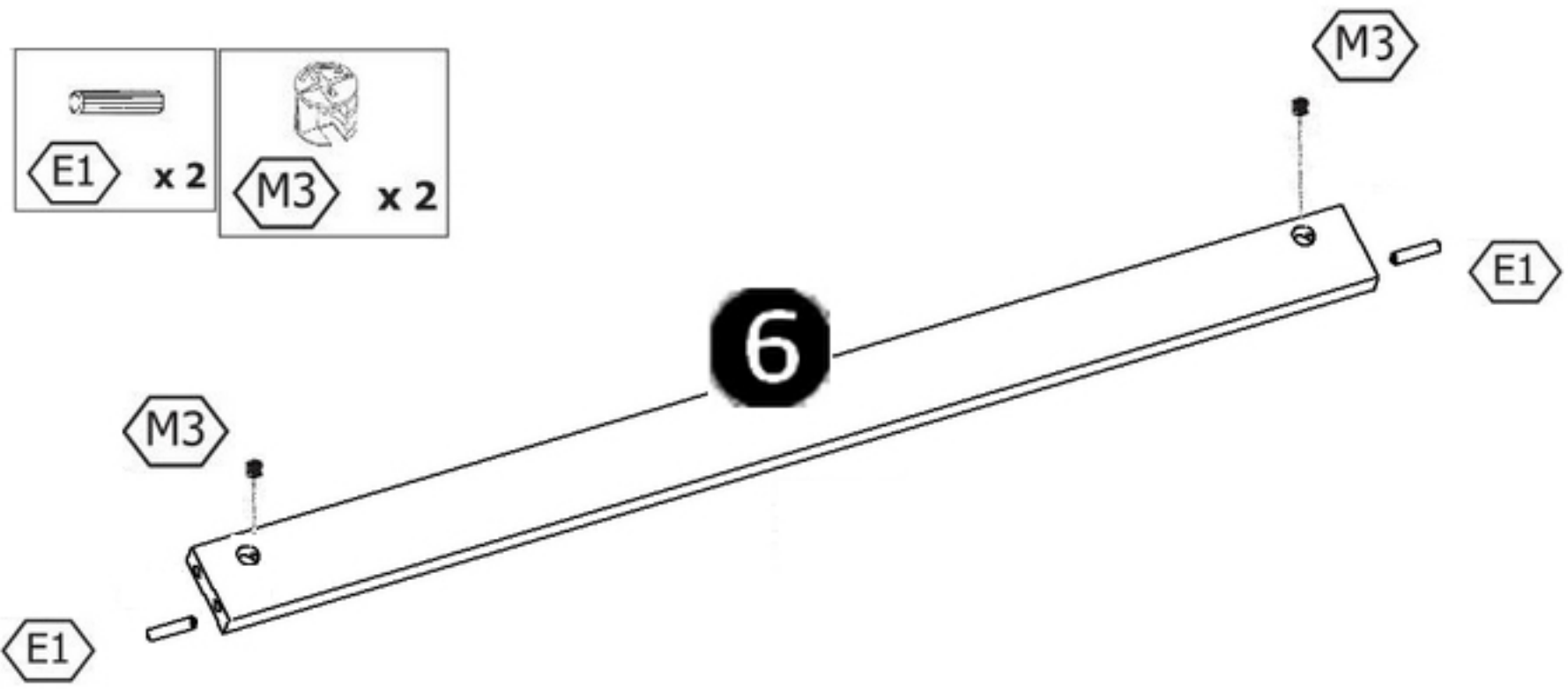
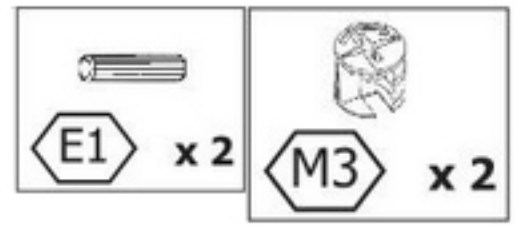


5

T2 x 2



6



7

