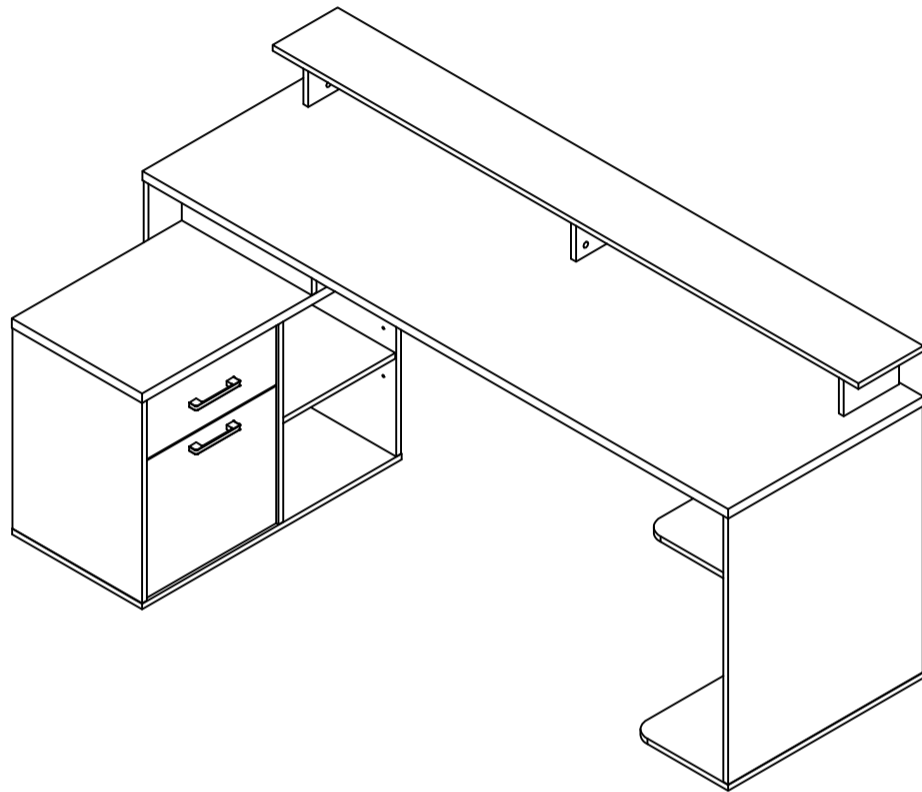


Art. Nr. 9947 2564

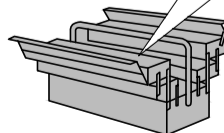
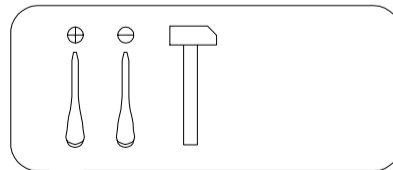
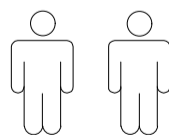
HNO-022



- (D) Montageanleitung
- (FR) Notice de montage
- (NL) Handleiding voor de montage
- (CZ) Montážní návod
- (HU) Szerelési útmutató
- (TR) Montaj talimati

- (GB) Assembly instructions
- (IT) Istruzioni di montaggio
- (PL) Instrukcja montażu
- (SK) Návod na montáž
- (RO) Instrucțiuni de montaj
- (RU) Инструкция по монтажу

Ausgabe: 20230909



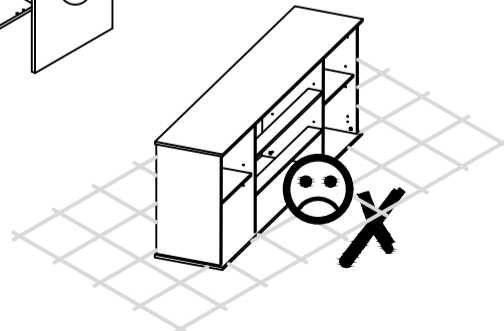
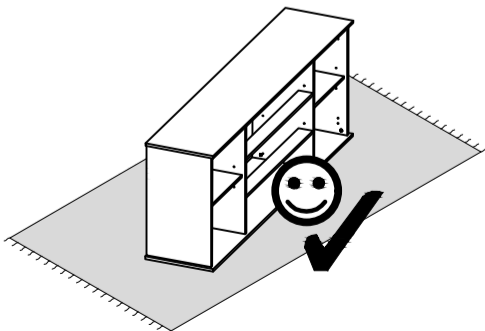
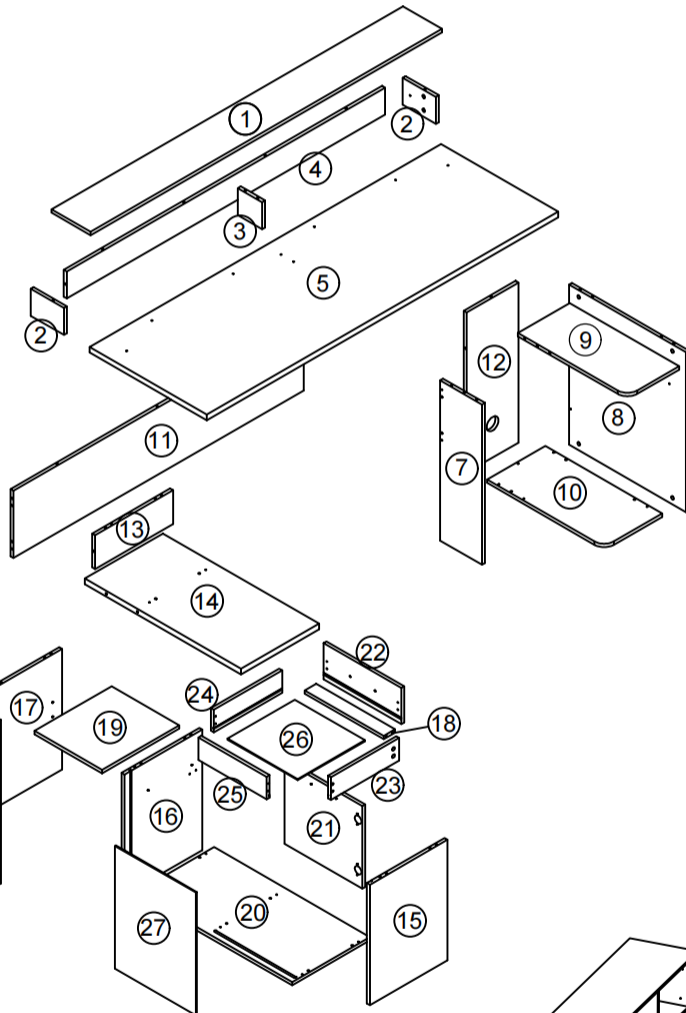
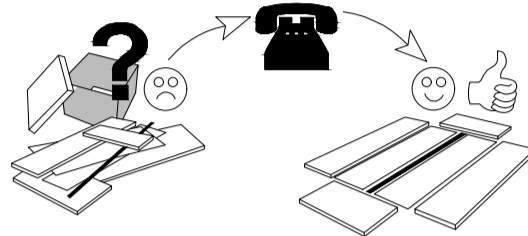
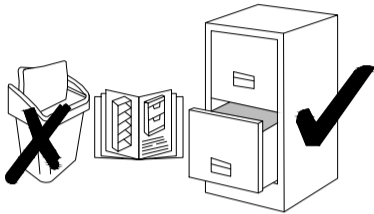
Service - Dienstverlening - Serwis - Servis - Сервисная служба

Name • Nom • Nome • Naam
Nazwa • Jméno • Názov • Név
NDenumire • Isim • Название



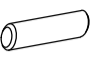










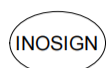




Nr. • No. • N° • Номер • Č. • Sz

9947 2564

Tур • Туре • Тір • Тип

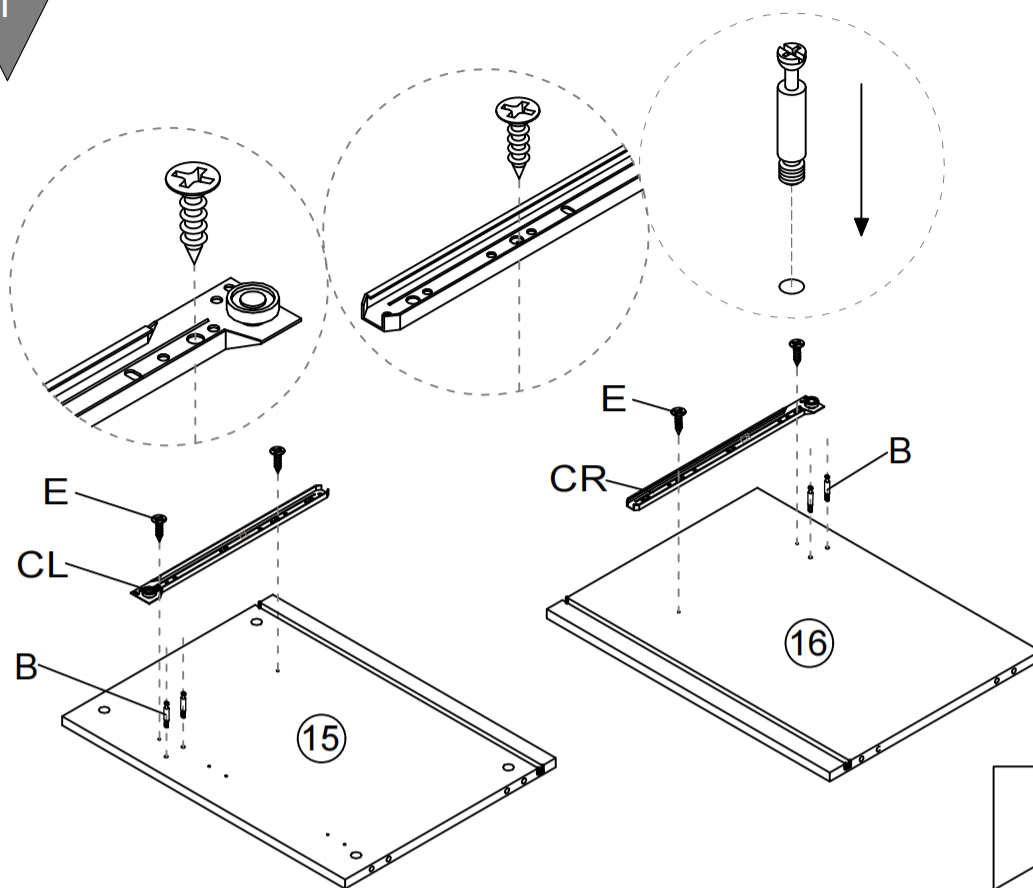


0
10
20
30
40
50
60
70
80
90
100
110
120
130
140
150
160
170
180
190
200

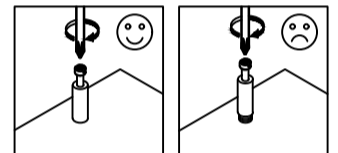
A  Ø15*11 x75	B  Ø7.8*35 x75	C  Ø8*30 x29	D  Ø20 x38	E  Ø3.5*14 x8	F  45*45*2 x8
G  x1	H  Ø4*40 x4	I  M4*20 x4	J  137*22*12 x2	K  x2	L  Ø4*16 x8
M  x4	N  INOSIGN x1	CL  14" x1	CR  14" x1	DL  14" x1	DR  14" x1

N	Size/MaB (mm)	Qty	✓	N	Size/MaB (mm)	Qty	✓
1	1800x200x15	1		15	535x398x15	1	
2	170x120x15	2		16	535x398x15	1	
3	125x120x15	1		17	535x398x15	1	
4	1630x120x15	1		18	404x58x15	1	
5	1800x600x25	1		19	396x346x15	1	
6	725x598x15	1		20	798x399x15	1	
7	710x214x15	1		21	398x366x15	1	
8	710x598x15	1		22	398x160x15	1	
9	560x265x15	1		23	350x100x15	1	
10	599x298x15	1		24	350x100x15	1	
11	1486x298x15	1		25	349x100x15	1	
12	710x265x15	1		26	359x344x5	1	
13	399x150x15	1		27	545x414x5	1	
14	800x400x25	1		28			

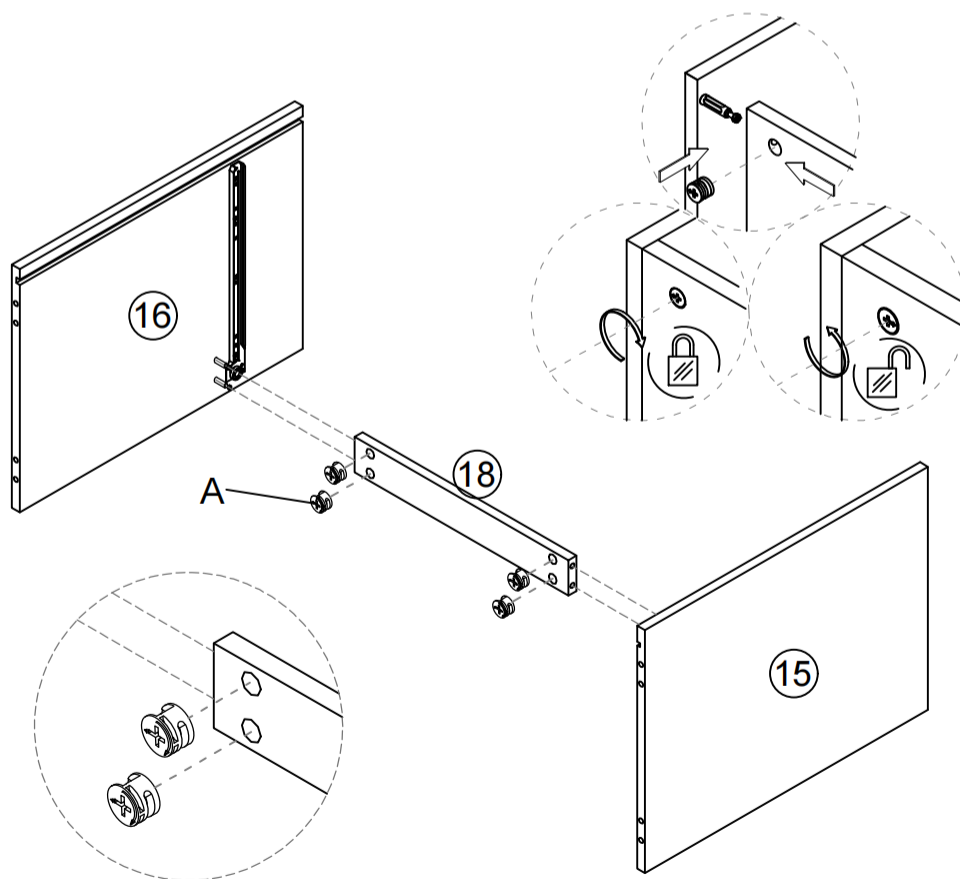
1



- B Ø7.8*35 x4
- E Ø3.5*14 x4
- CL 14" x1
- CR 14" x1



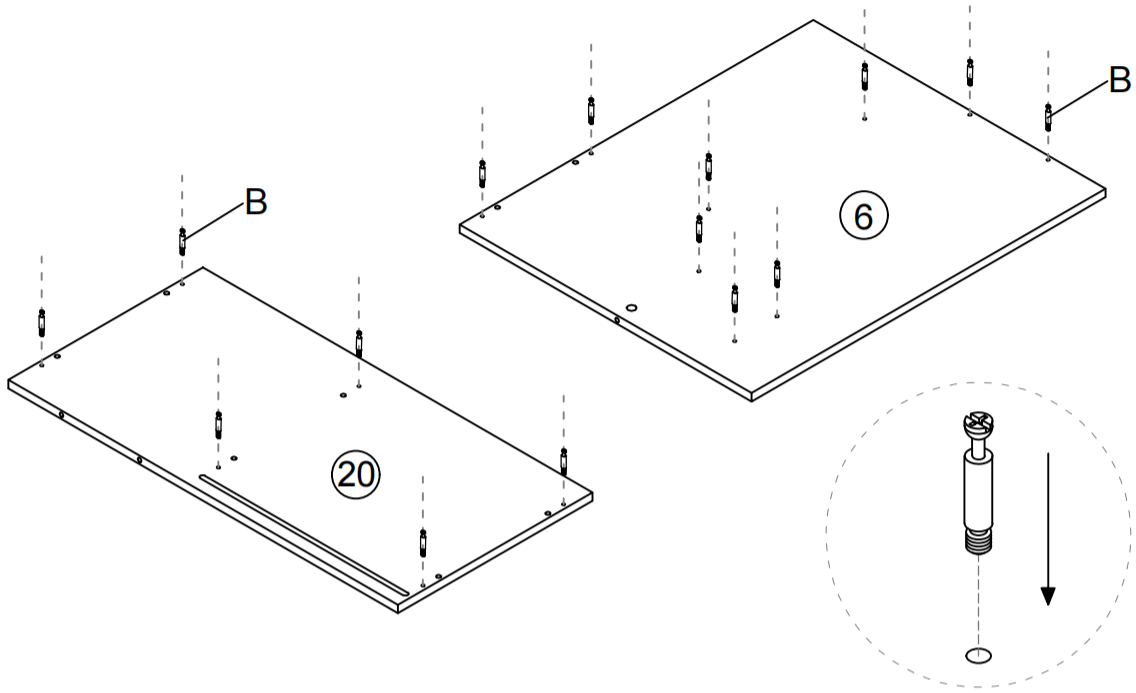
2



- A Ø15*11 x4

3

B $\varnothing 7.8 \times 35$
x15

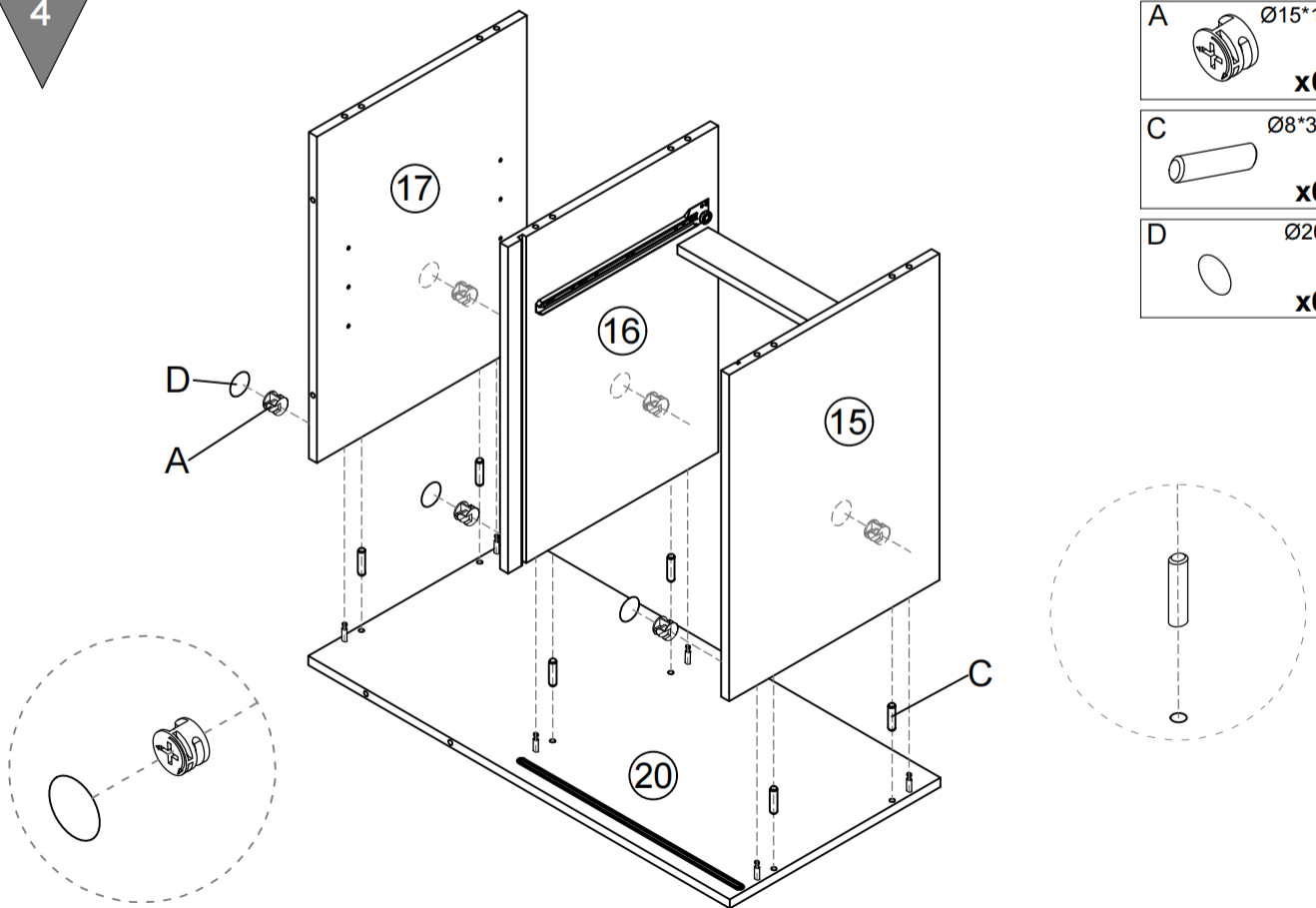


4

A $\varnothing 15 \times 11$
x6

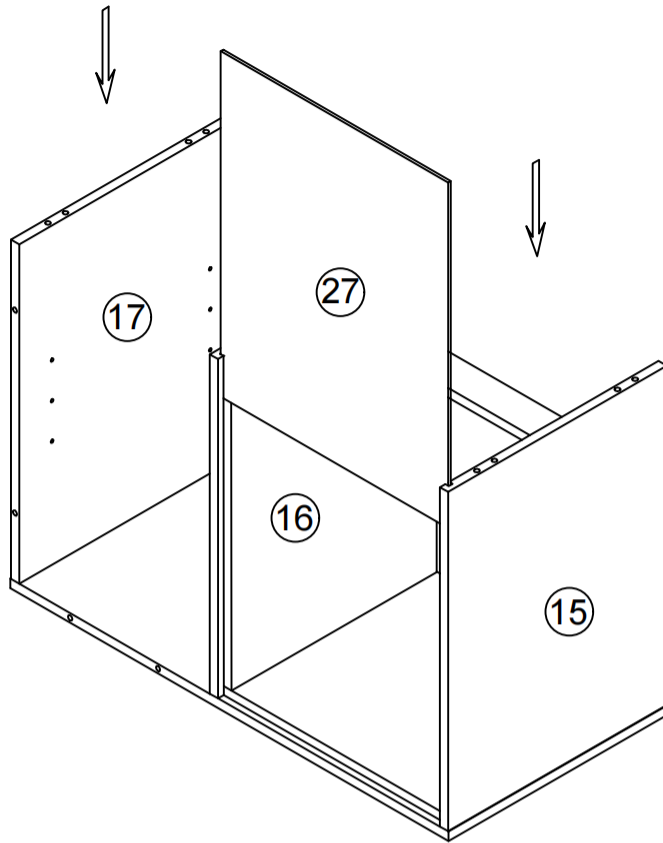
C $\varnothing 8 \times 30$
x6

D $\varnothing 20$
x6

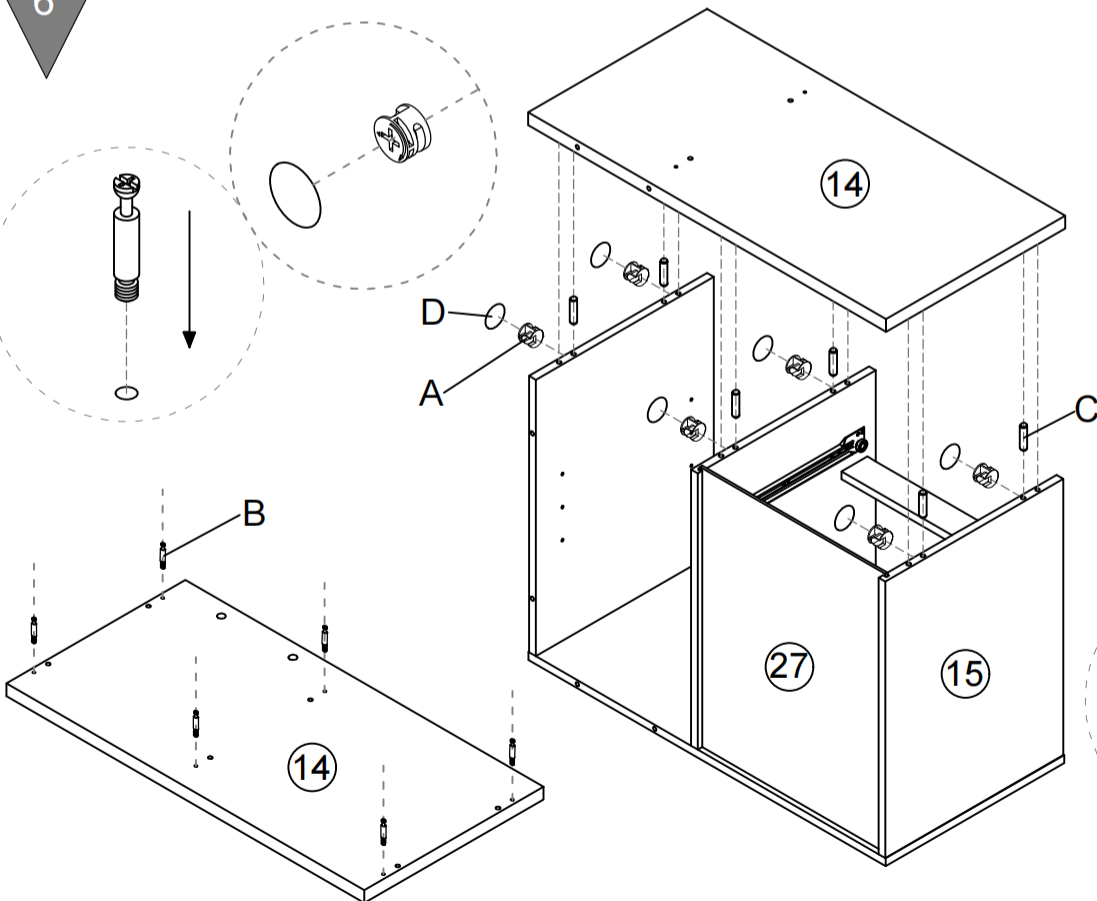


5

5

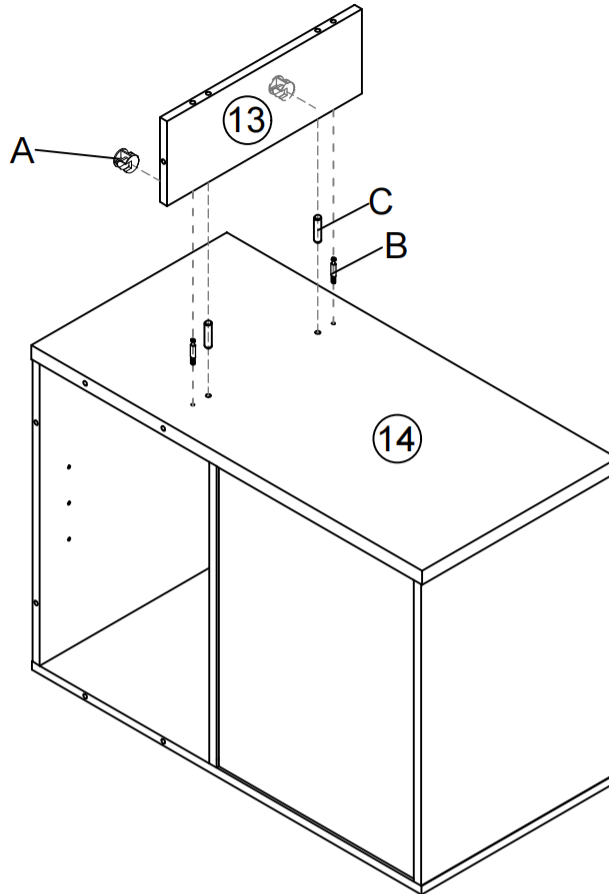
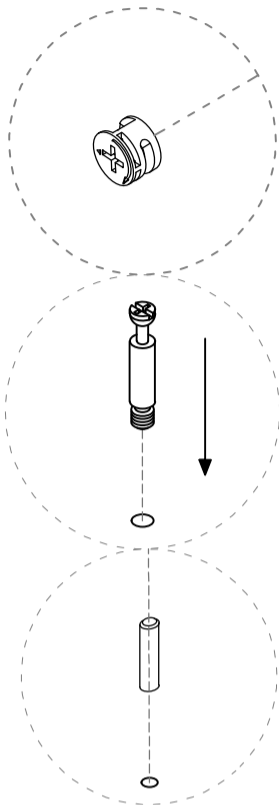


6



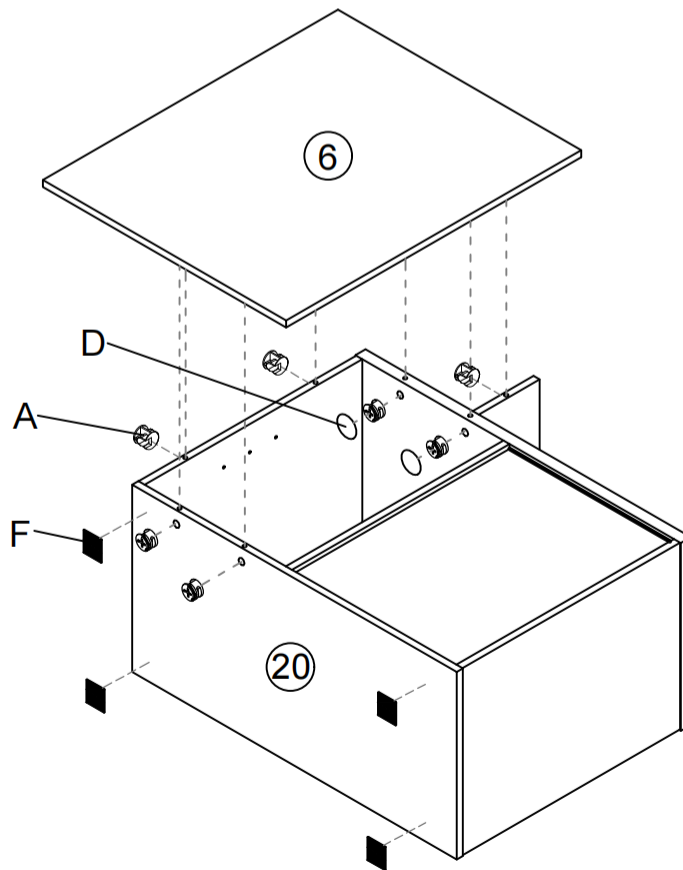
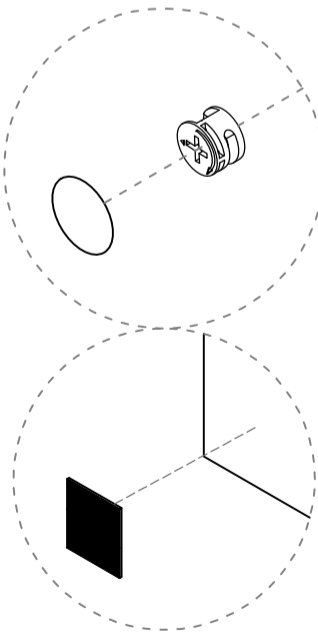
- A $\varnothing 15 \times 11$
x6
- B $\varnothing 7.8 \times 35$
x6
- C $\varnothing 8 \times 30$
x6
- D $\varnothing 20$
x6

7



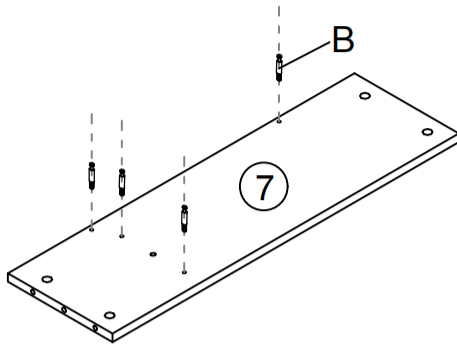
- A $\varnothing 15 \times 11$
x2
- B $\varnothing 7.8 \times 35$
x2
- C $\varnothing 8 \times 30$
x2

8

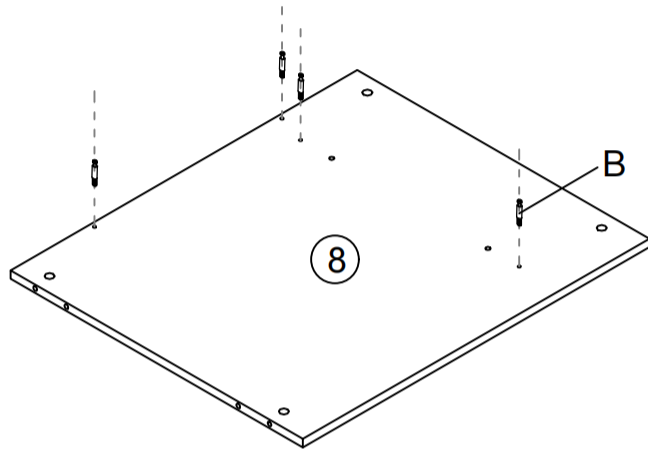


- A $\varnothing 15 \times 11$
x7
- D $\varnothing 20$
x2
- F $45 \times 45 \times 2$
x4

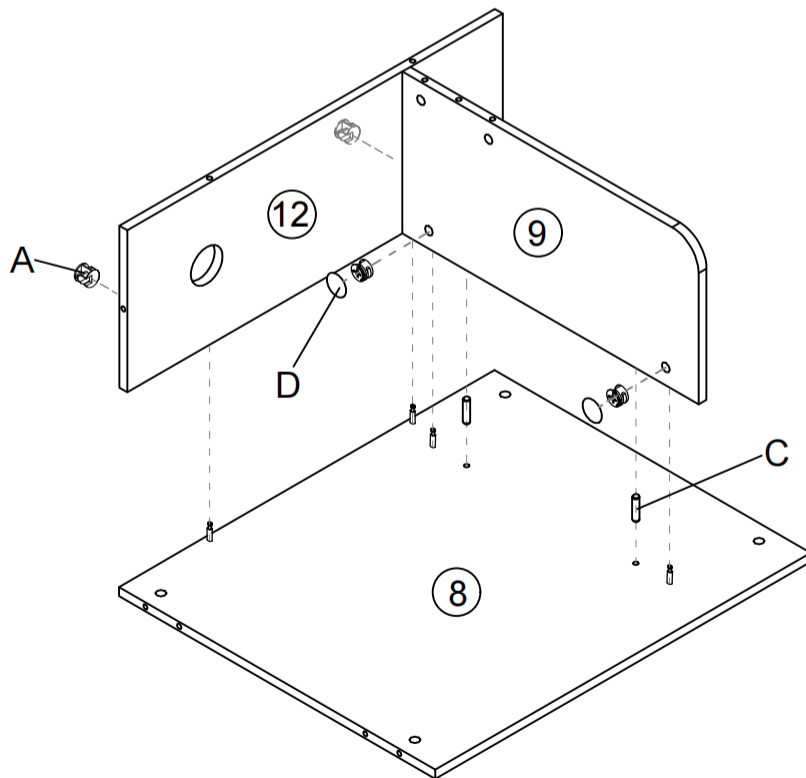
9



B $\varnothing 7.8 \times 35$
x8



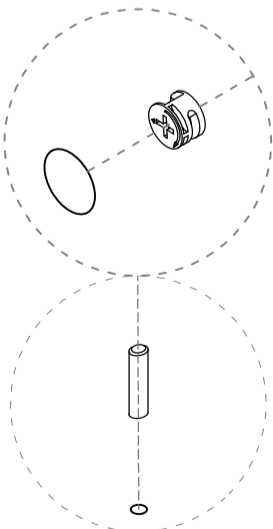
10



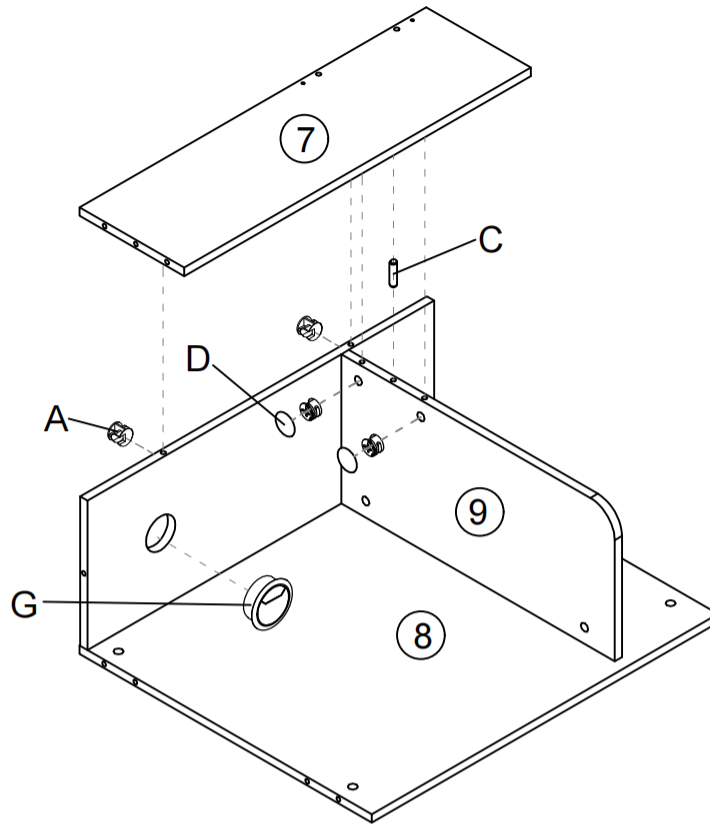
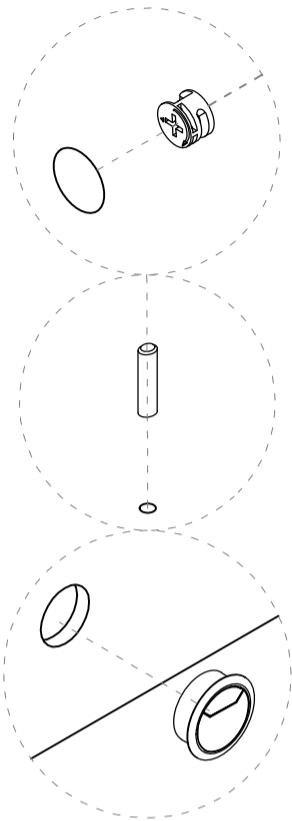
A $\varnothing 15 \times 11$
x4





C $\varnothing 8 \times 30$
x2

D $\varnothing 20$
x2

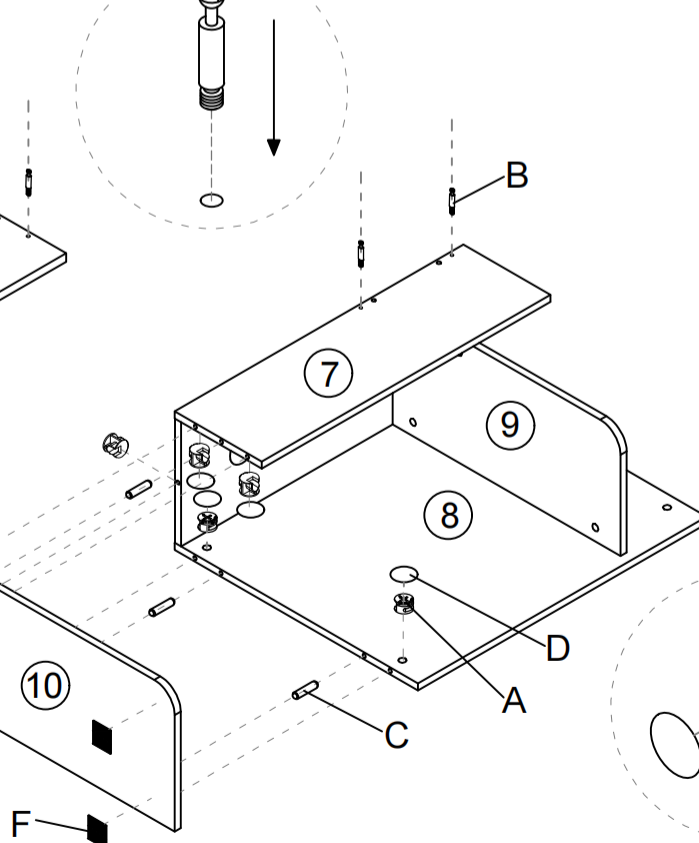
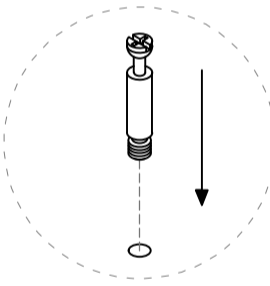
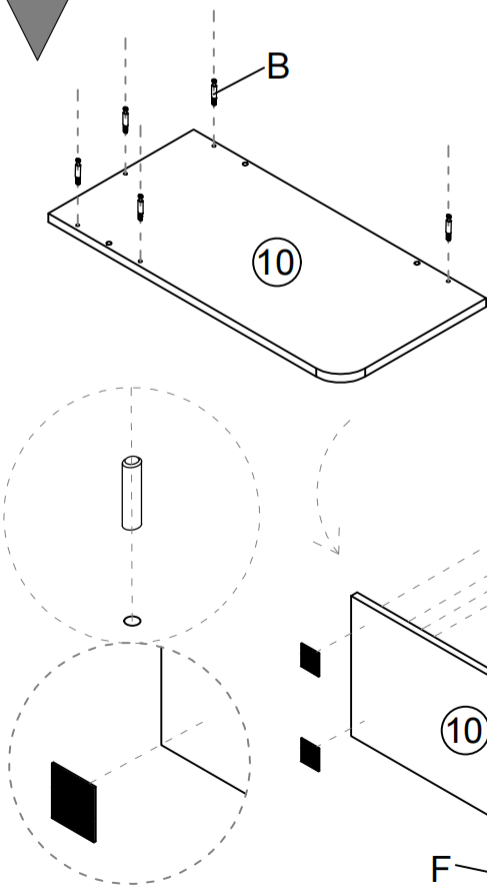







11



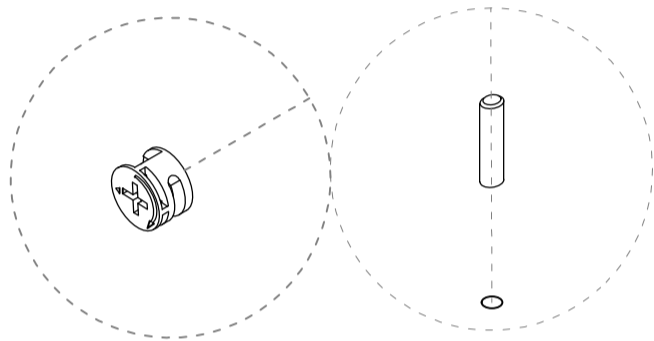
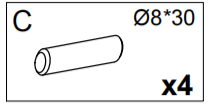
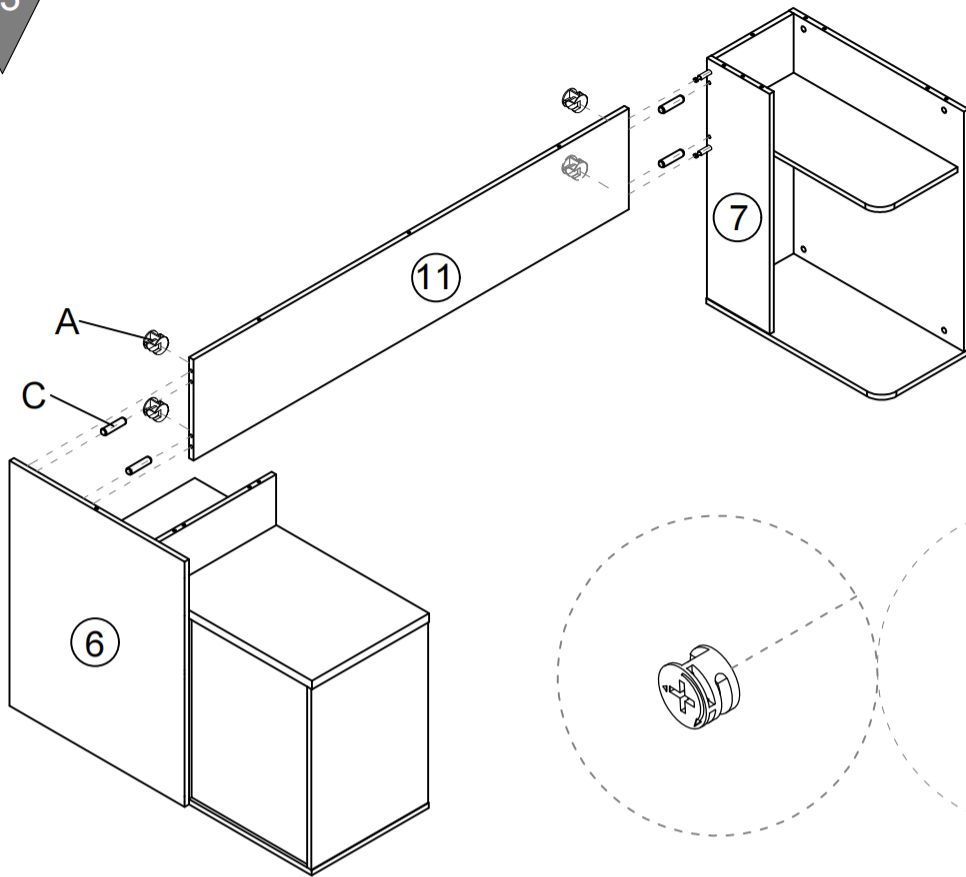
- A $\varnothing 15 \times 11$
 **x4**
- C $\varnothing 8 \times 30$
 **x1**
- D $\varnothing 20$
 **x2**
- G  **x1**

12

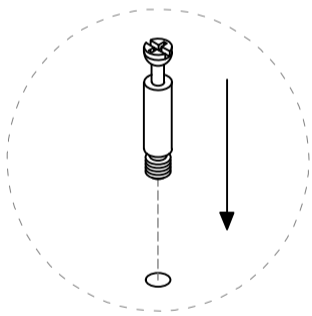
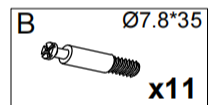
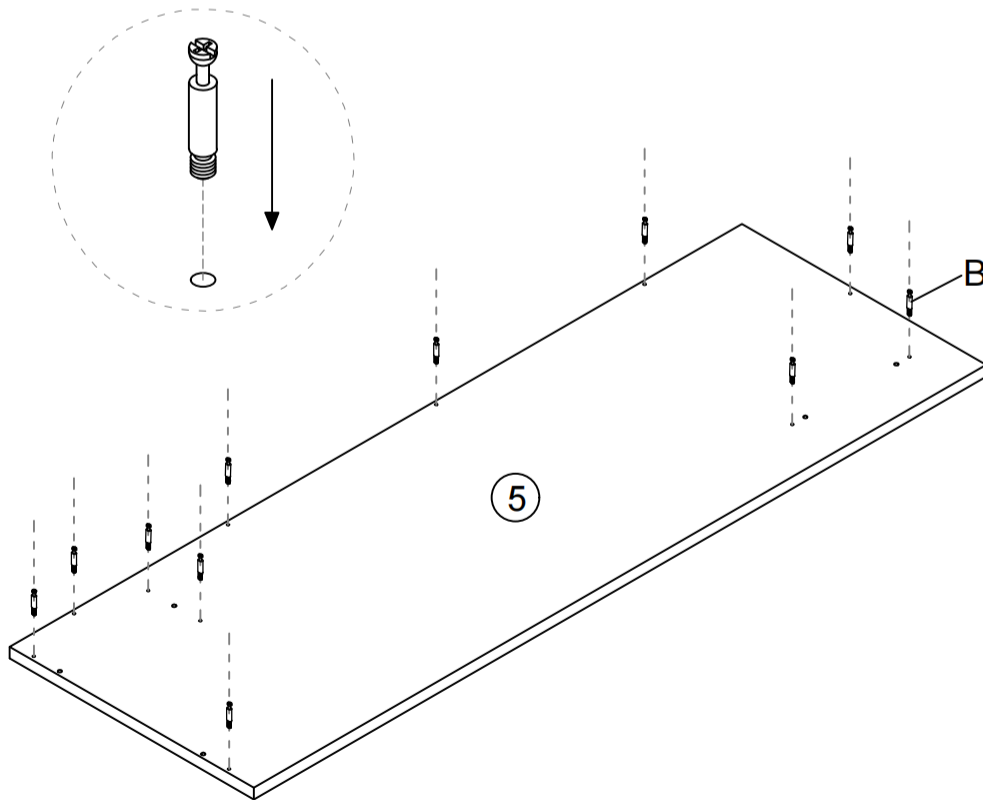


- A $\varnothing 15 \times 11$
 **x5**
- B $\varnothing 7.8 \times 35$
 **x7**
- C $\varnothing 8 \times 30$
 **x3**
- D $\varnothing 20$
 **x4**
- F $45 \times 45 \times 2$
 **x4**

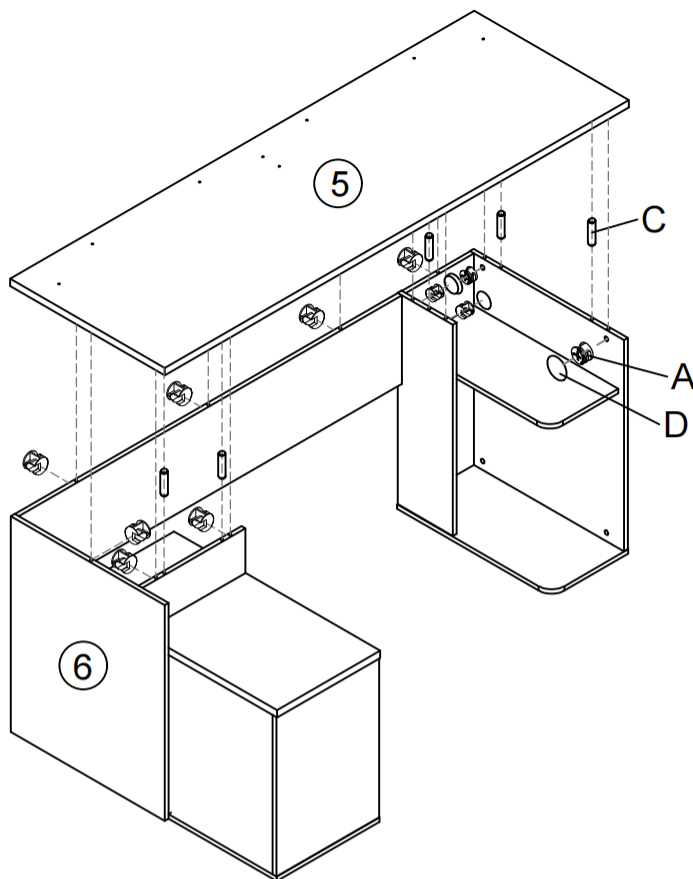
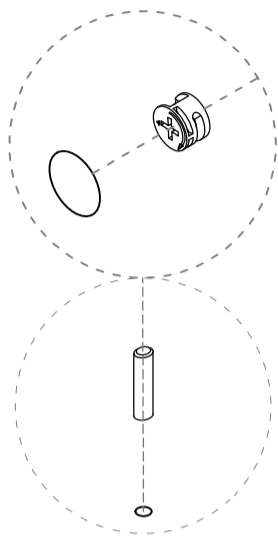
13



14



15

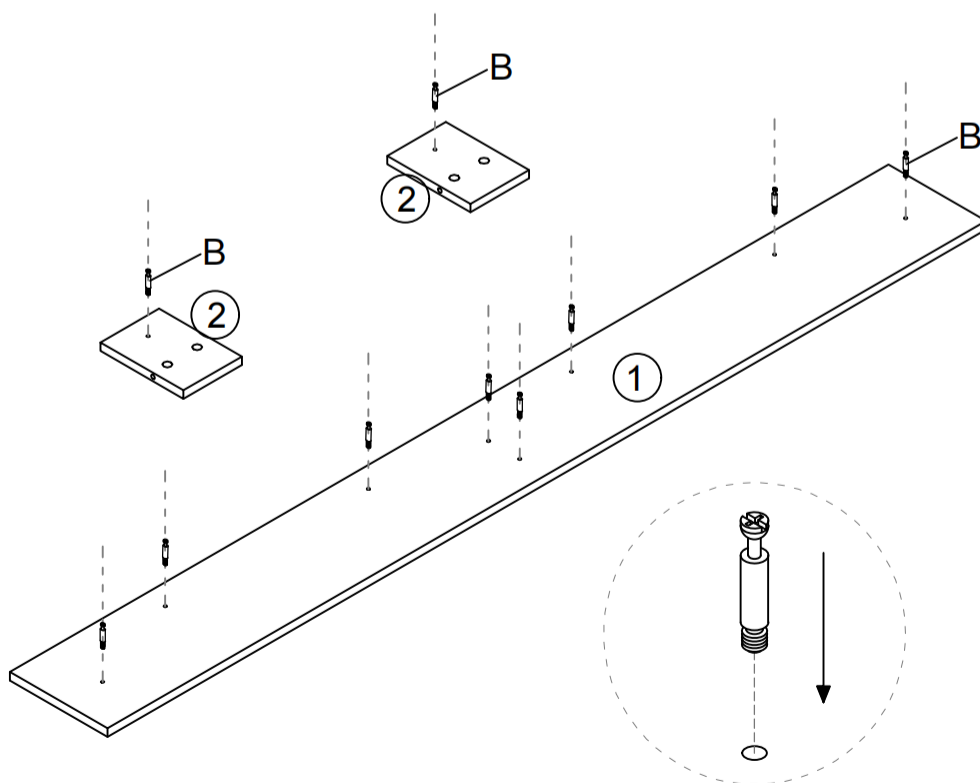


A $\varnothing 15 \times 11$
x11

C $\varnothing 8 \times 30$
x5

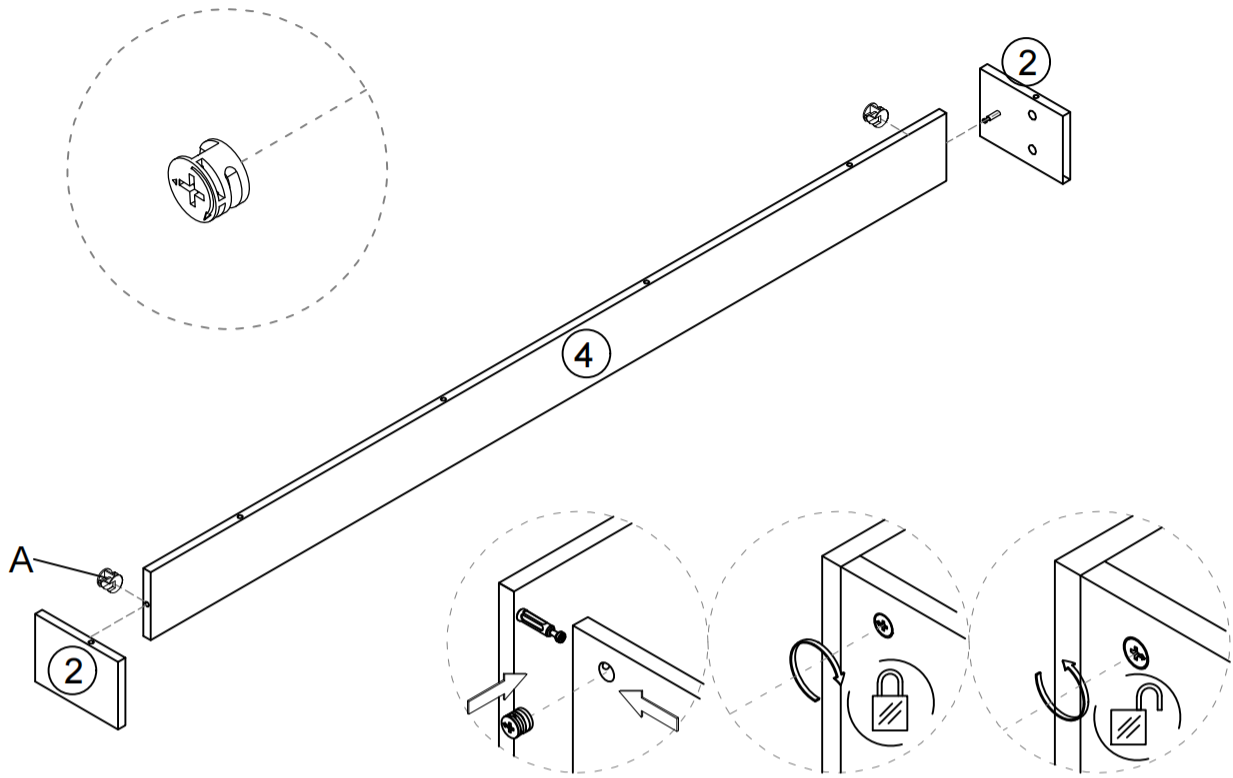
D $\varnothing 20$
x4

16

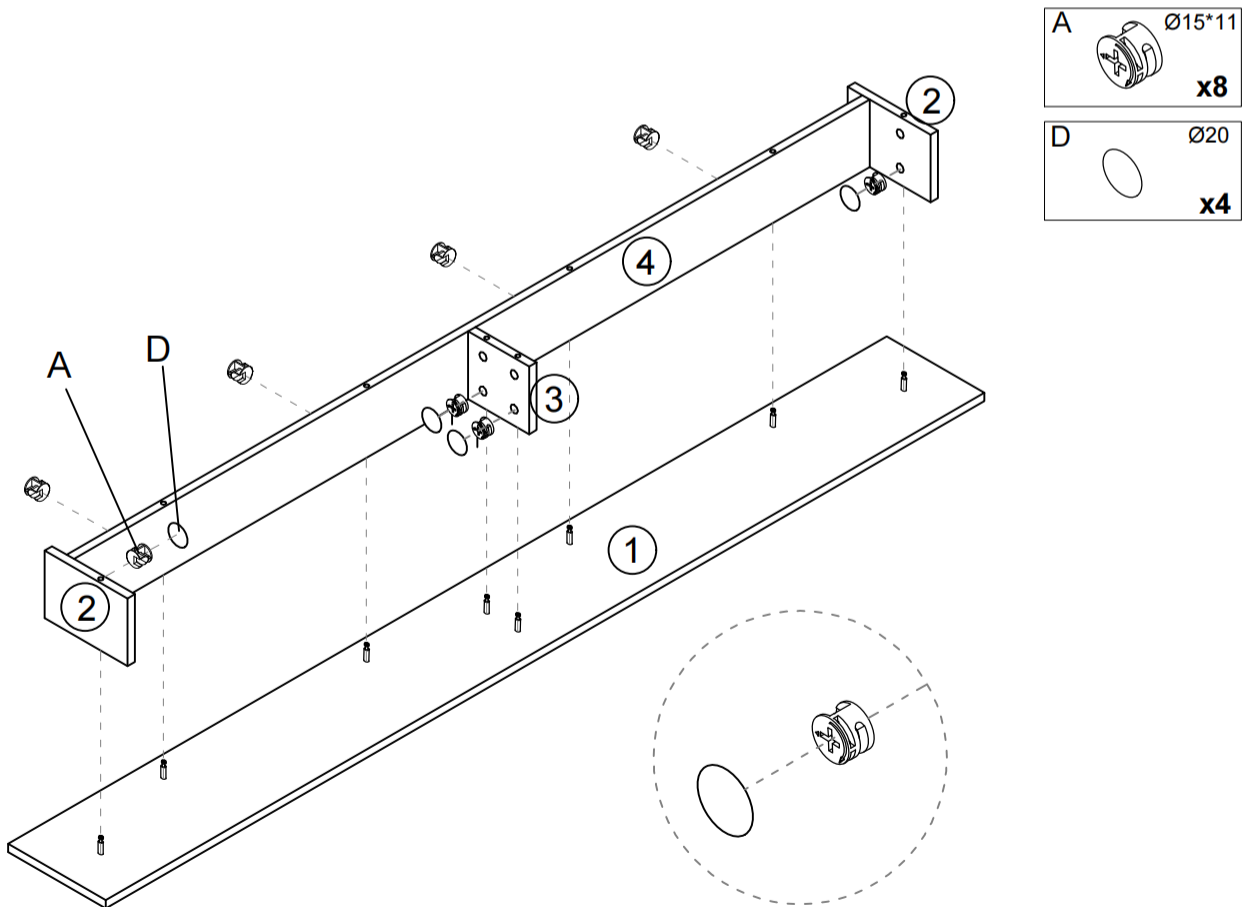


B $\varnothing 7.8 \times 35$
x10

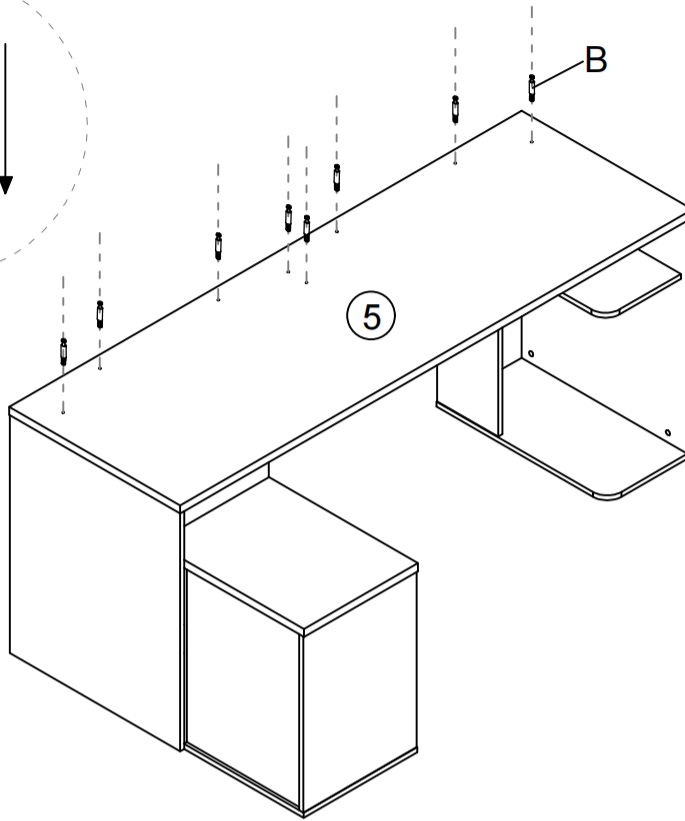
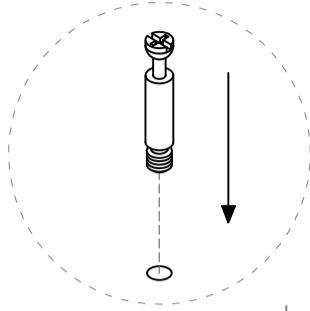
17



18

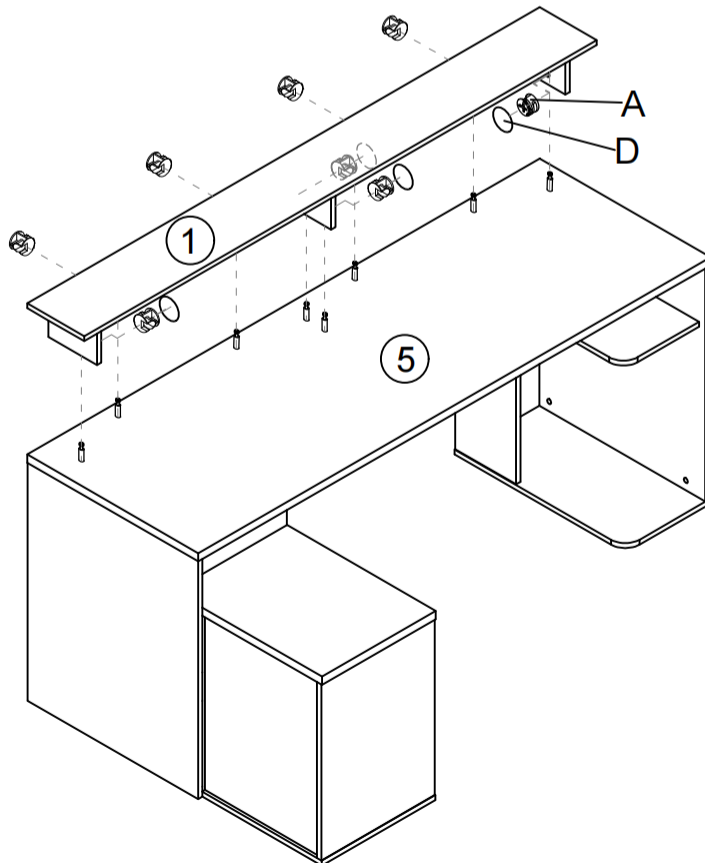
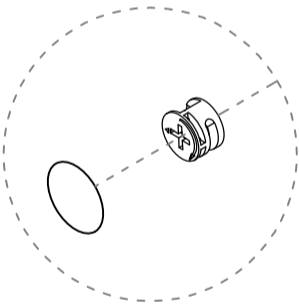


19



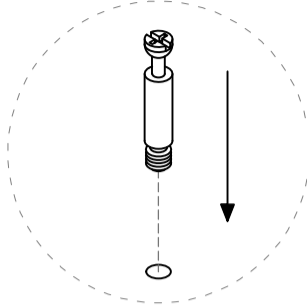
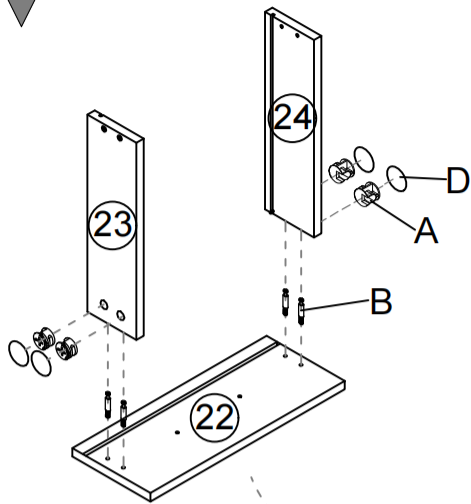
B $\varnothing 7.8 \times 35$
x8



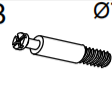


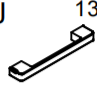



20

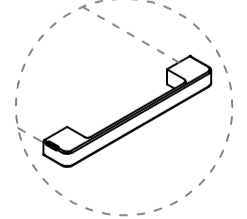
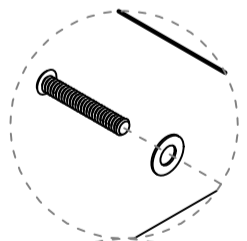
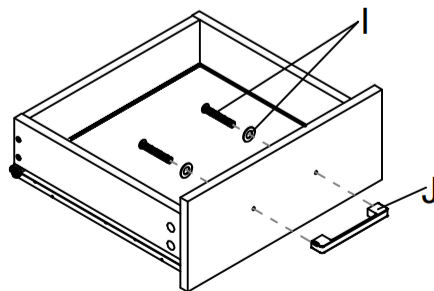
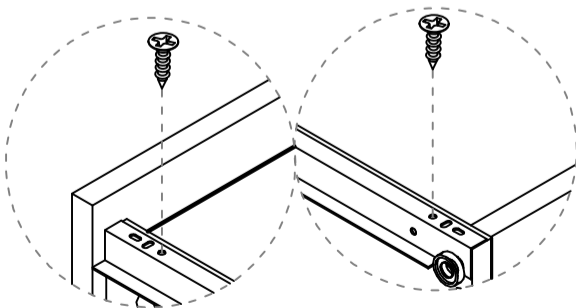
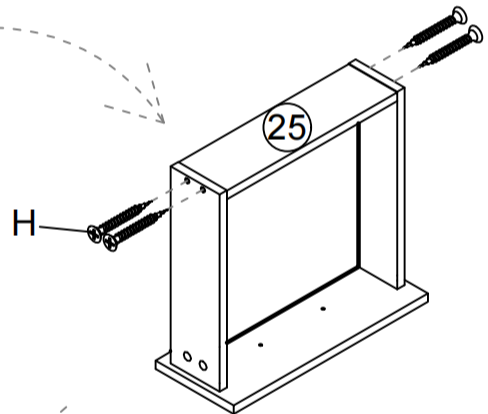
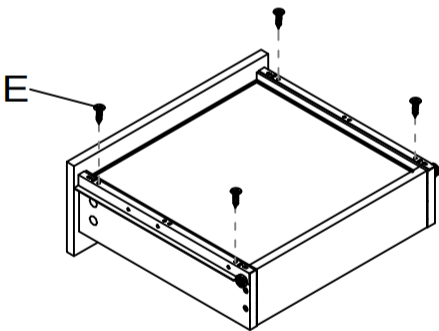
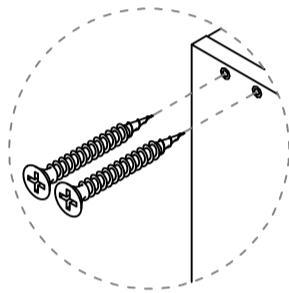
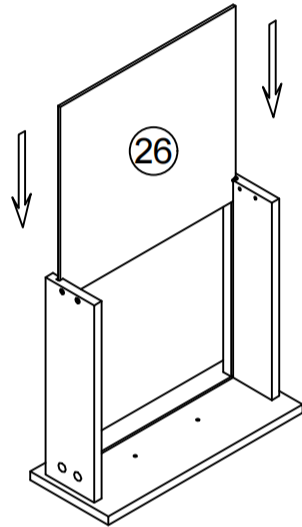


A $\varnothing 15 \times 11$
x8

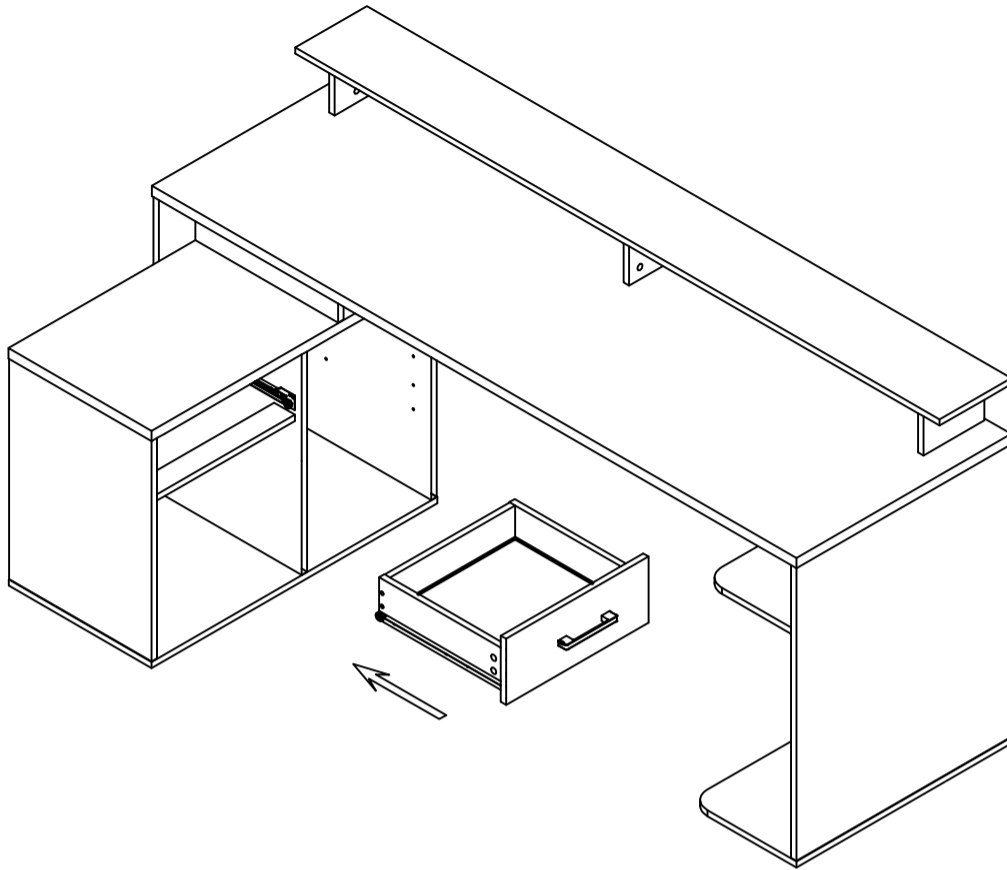
D $\varnothing 20$
x4



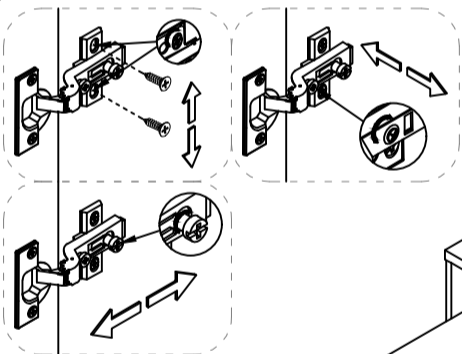
A		Ø15*11	H		Ø4*40
		x4			x4
B		Ø7.8*35	I		M4*20
		x4			x2
D		Ø20	J		137*22*12
		x4			x1
E		Ø3.5*14	DL		14"
		x4			x1
			DR		14"
					x1



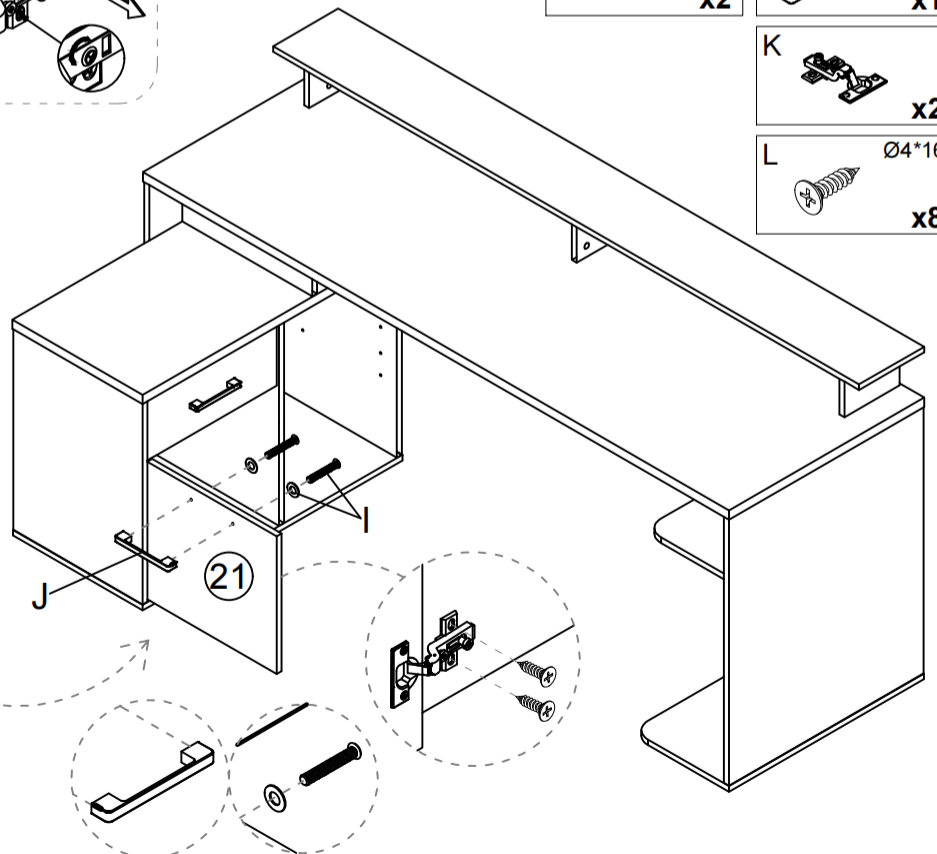
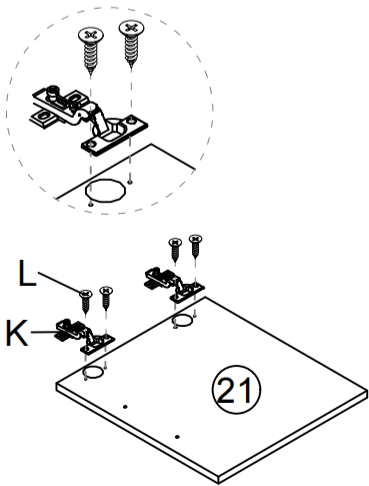
22



23

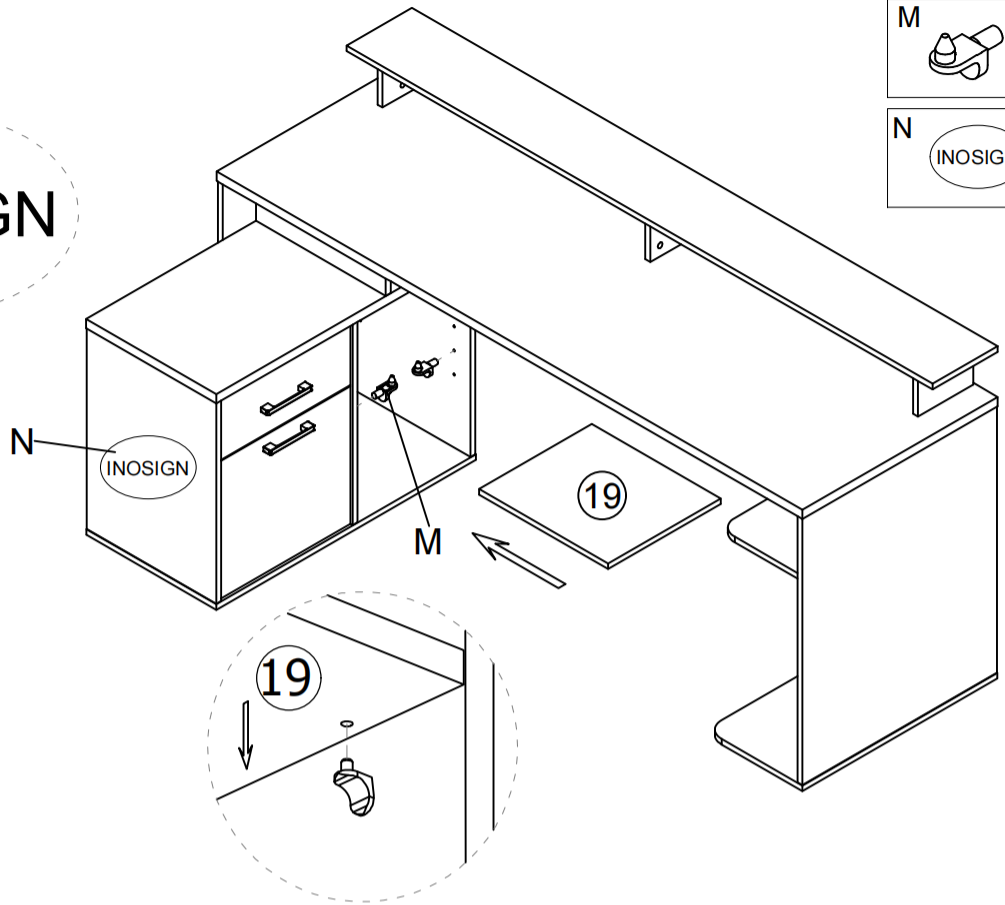


- I M4*20 x2
- J 137*22*12 x1
- K x2
- L Ø4*16 x8



24

INOSIGN



25

