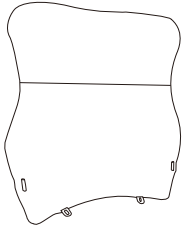
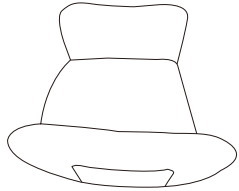


ASSEMBLY INSTRUCTION | INSTRUCTIONS DE MONTAGE

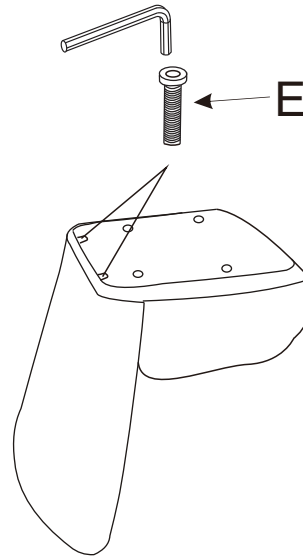
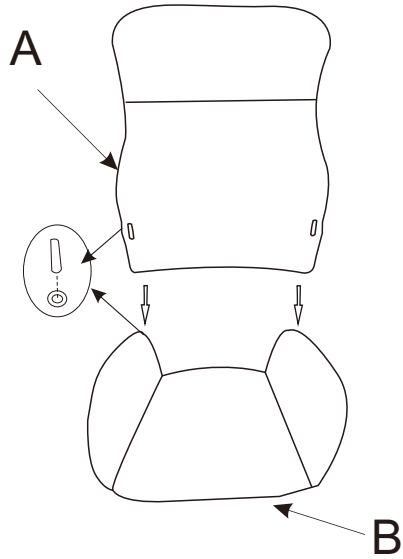
Ax1



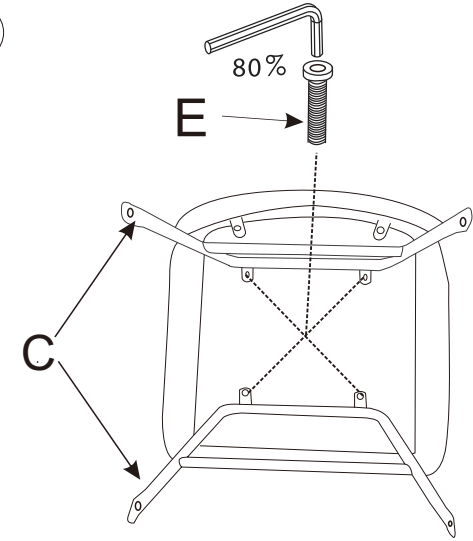
Bx1



①

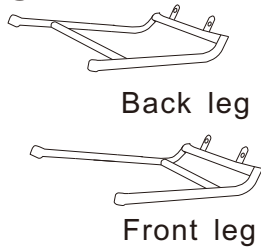


②

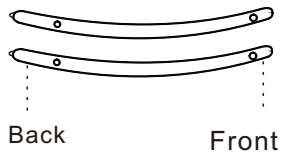


For better assembly in the following steps, please only screw all the screws to 80% of the position when assembling this step.

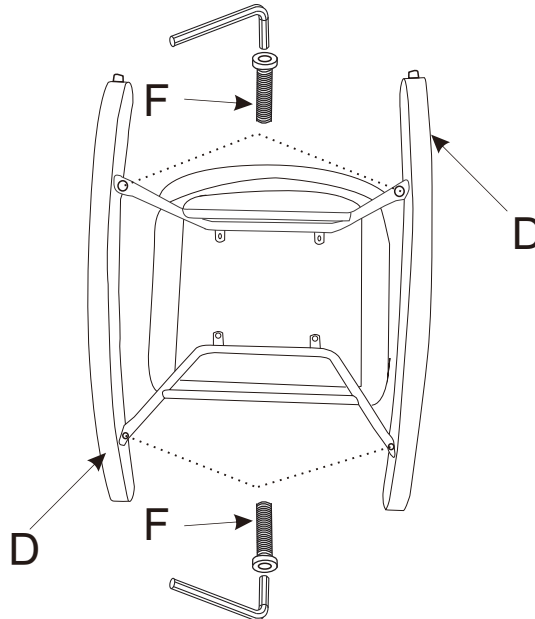
Cx2



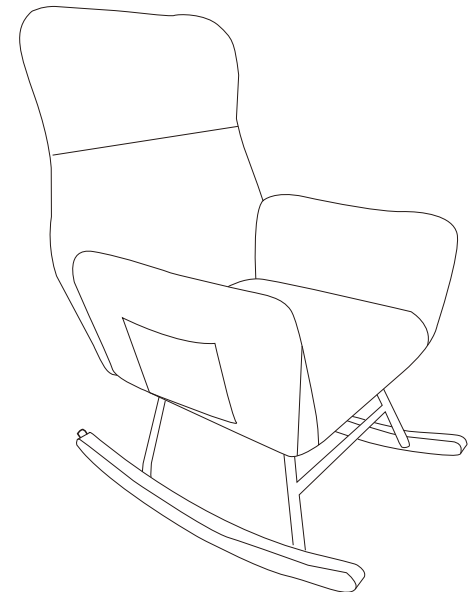
Dx2



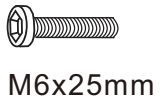
③



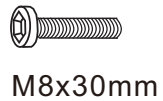
④



Ex6



Fx4



1PC

