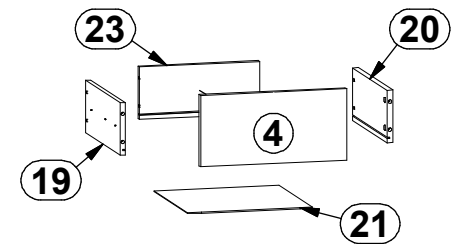
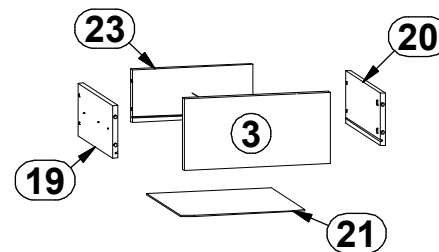
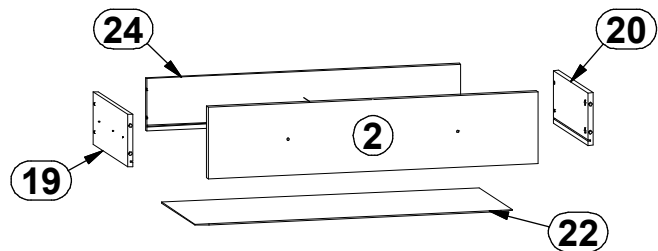
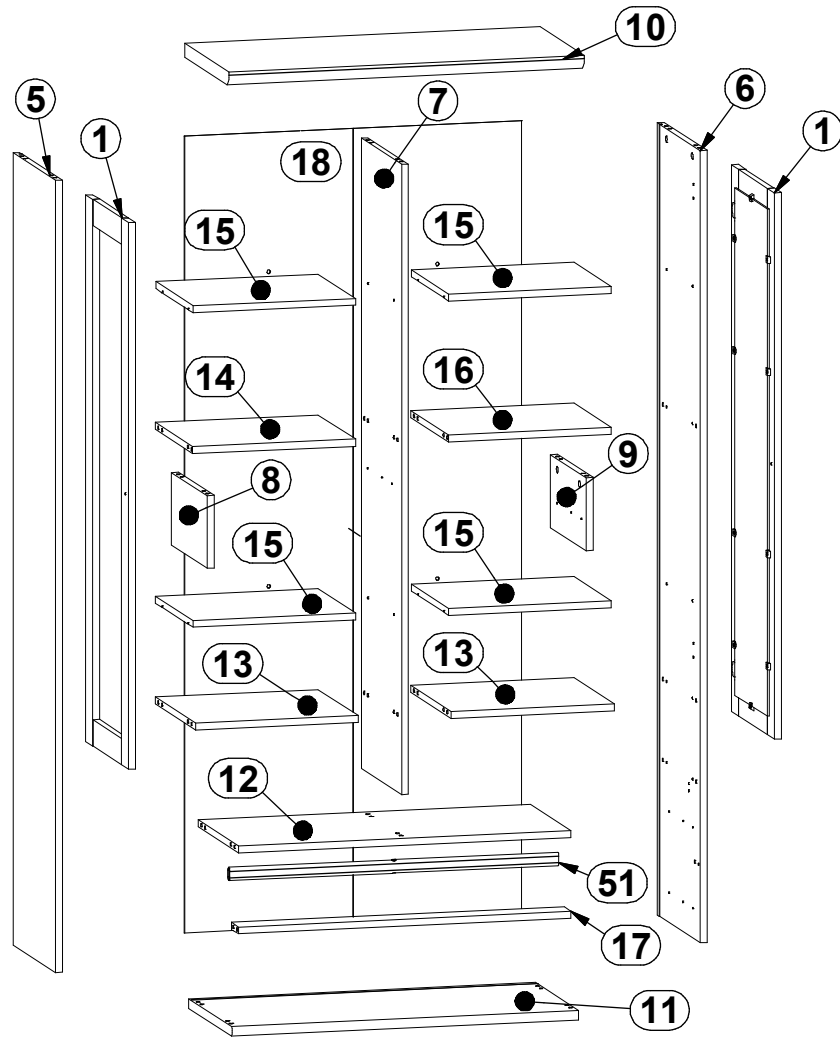


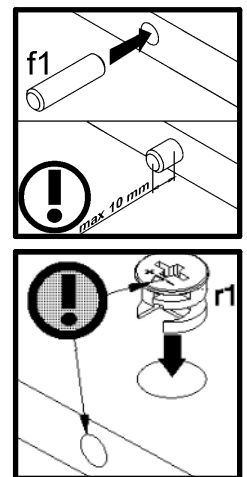
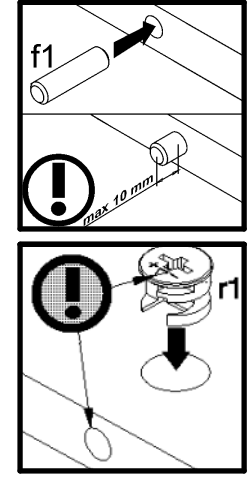
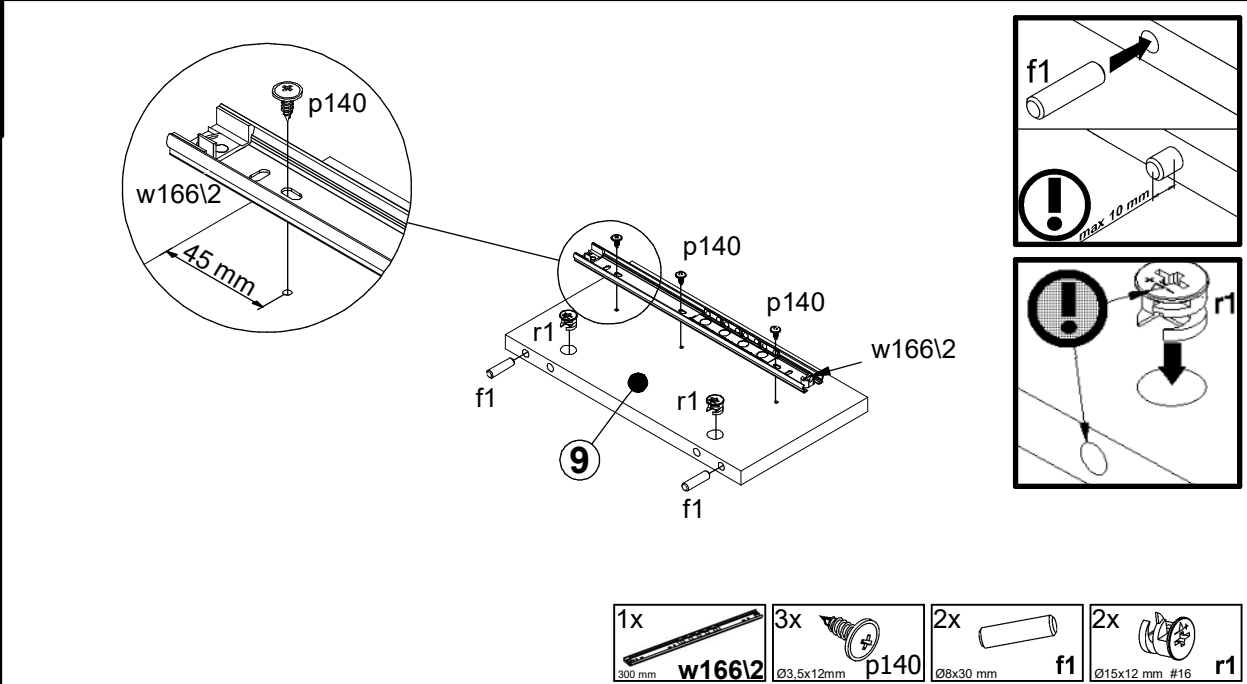
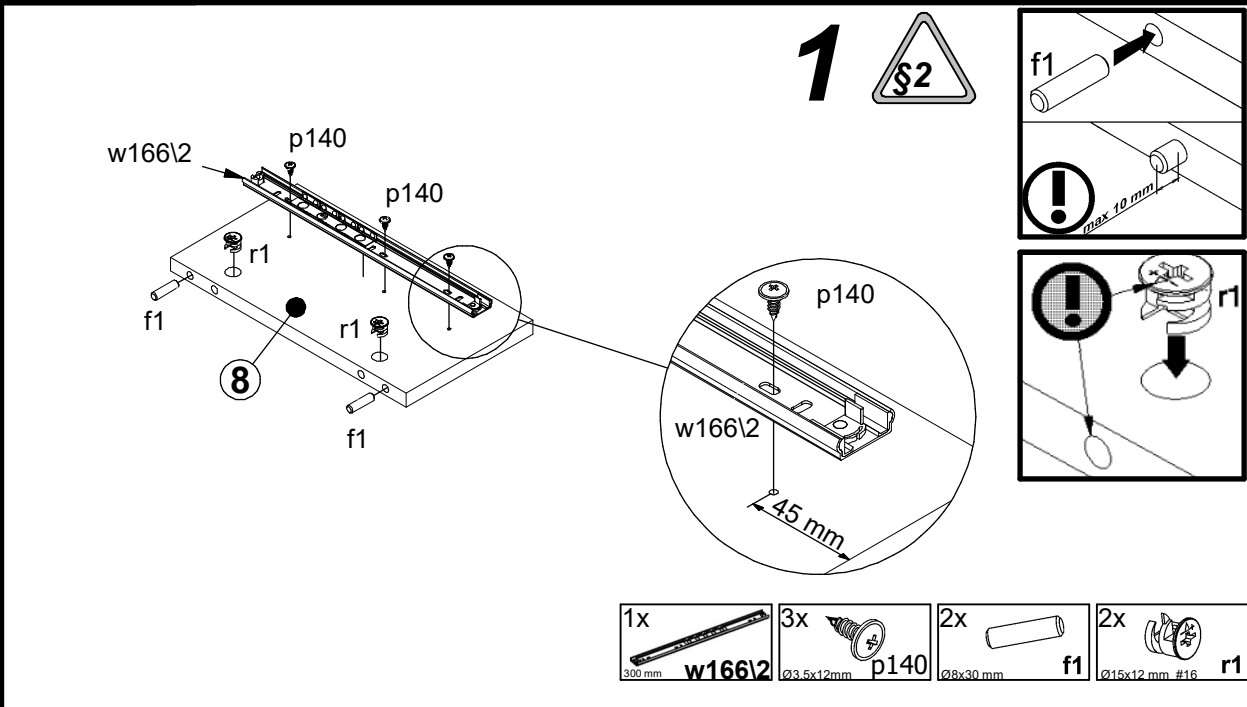
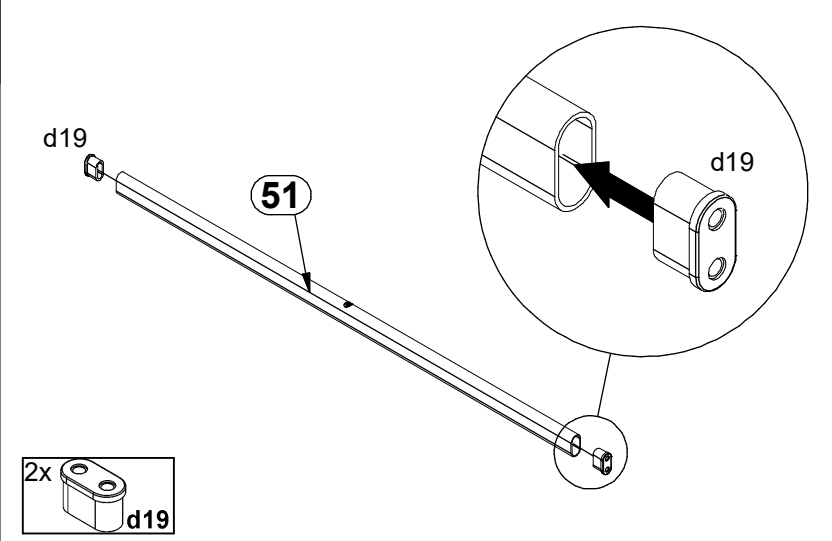
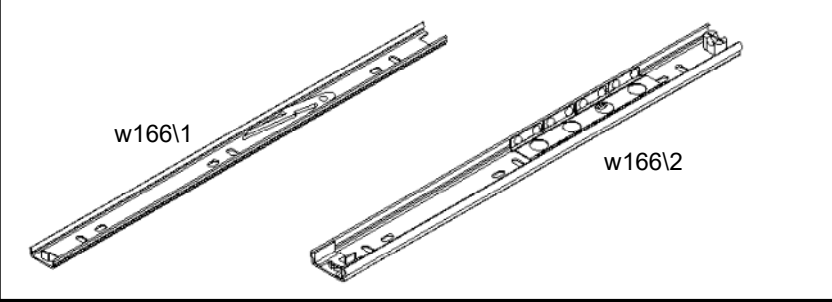
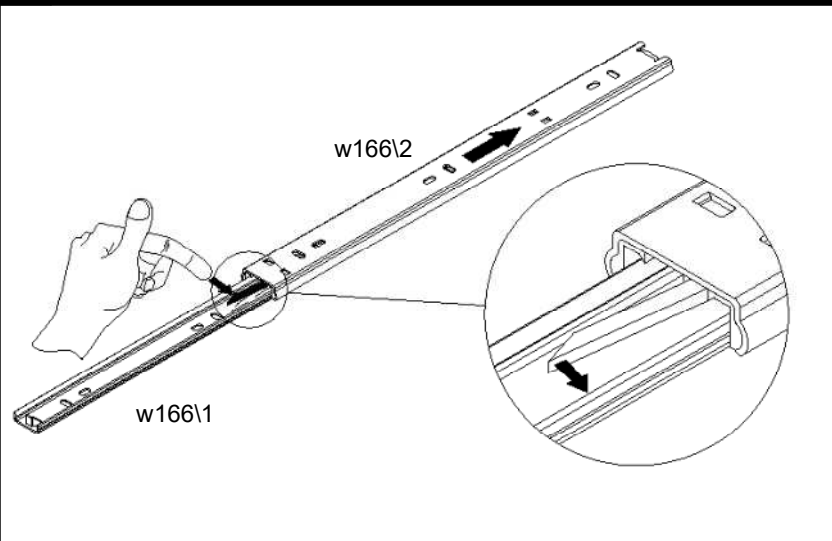
A	B	C (mm)		D
1	S248-0001	1248	373	3/3
2	S248-0003	163	768	1/3
3	S248-0004	163	340	2/3
4	S248-0005	163	340	2/3
5	S248-1001	1809	370	2/3
6	S248-1002	1809	370	2/3
7	S248-1003	1439	350	2/3
8	S248-1004	166	309	2/3
9	S248-1005	166	309	2/3
10	S248-2001	827	388	1/3
11	S248-2002	807	375	1/3
12	S248-3001	774	350	2/3
13	S248-3003	379	350	1/3
14	S248-3004	379	325	1/3
15	S248-3005	378	325	1/3
16	S248-3006	379	325	1/3
17	S248-4001	774	60	1/3
18	S248-9301	1819	785	2/3
19	WSK3-503	300	120	2/3
20	WSK3-504	300	120	2/3
21	WSP-9087	745	308	1/3
22	WSP-9088	745	308	1/3
23	WTR-5023	280	120	1/3
24	WTR-5024	729	120	1/3
51	wp-766	766	30	1/3

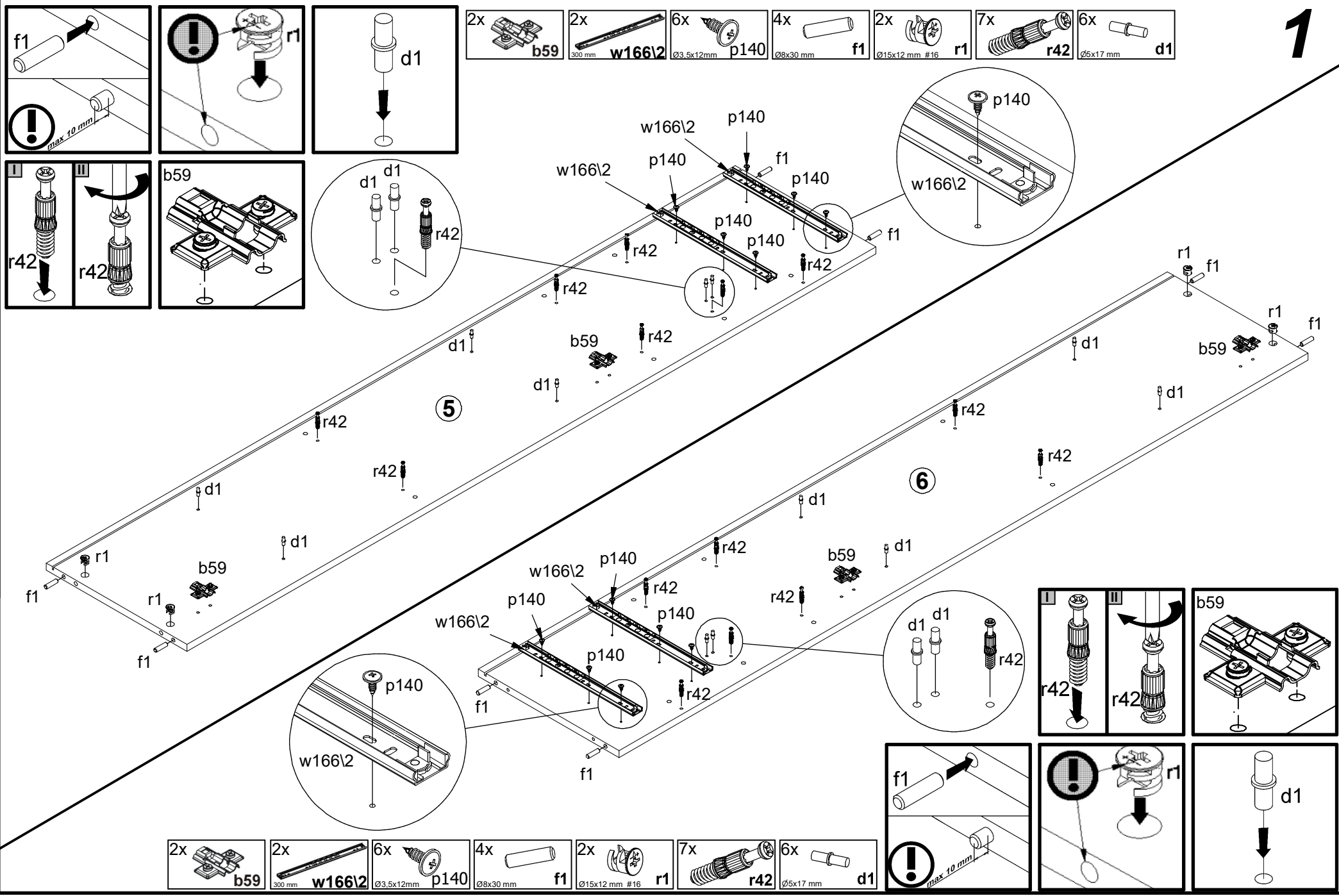
90min

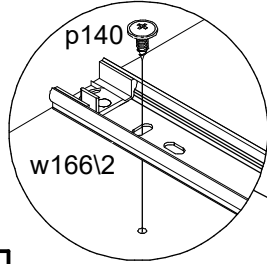
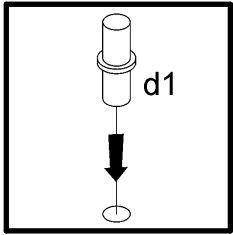
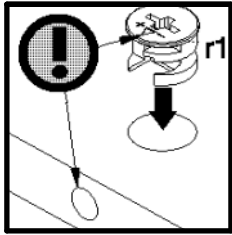
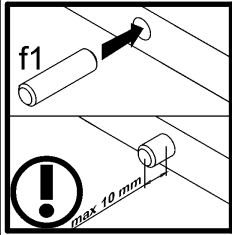


4x a101	4x b59	2x c445	2x c446	2x c447	20x d1 Ø5x17 mm	2x d19	6x e1 Ø7x50 mm	30x f1 Ø8x30 mm	4x f6 Ø8x50 mm	16x f25 Ø6.5x40 mm	6x j30 M4x22 mm	4x k27
20x i1	20x i2	4x o75\1	1x o80\3	1x o80\4 8W	4x p25 Ø3.5x16 mm	8x p51 Ø3.5x15 mm	48x p140 Ø3.5x12 mm	32x r1 Ø15x12 mm #16	4x r10	16x r15 Ø12x10.5 mm #12	40x r42	6x s2 Ø16
2x s60	2x t18 283 mm	8x w166\1 300 mm	8x w166\2 300 mm	1x z1				1x f35 Ø10x50 mm	1x n14\2 88x21x15\1.5	1x p17 Ø5x60 mm	2x p38 Ø3.5x16 mm	

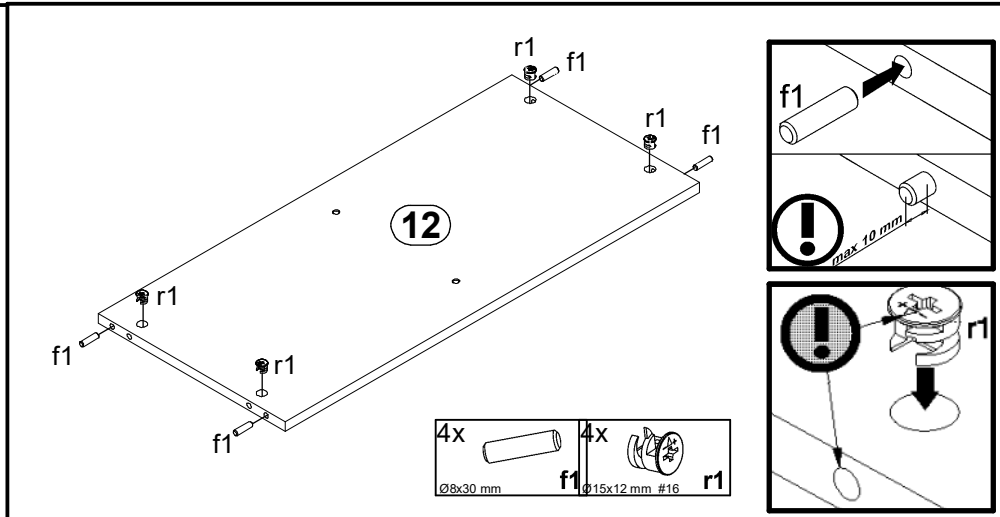
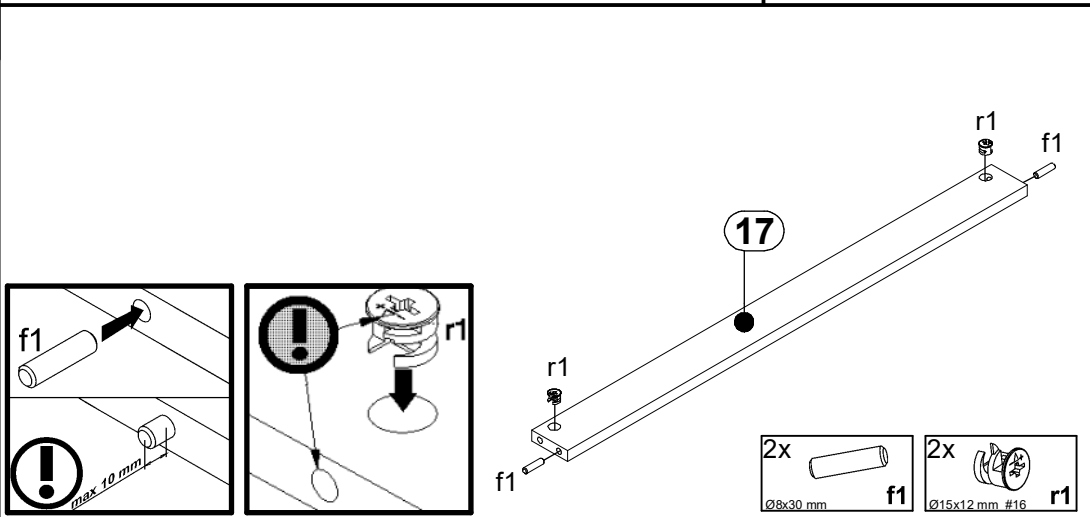
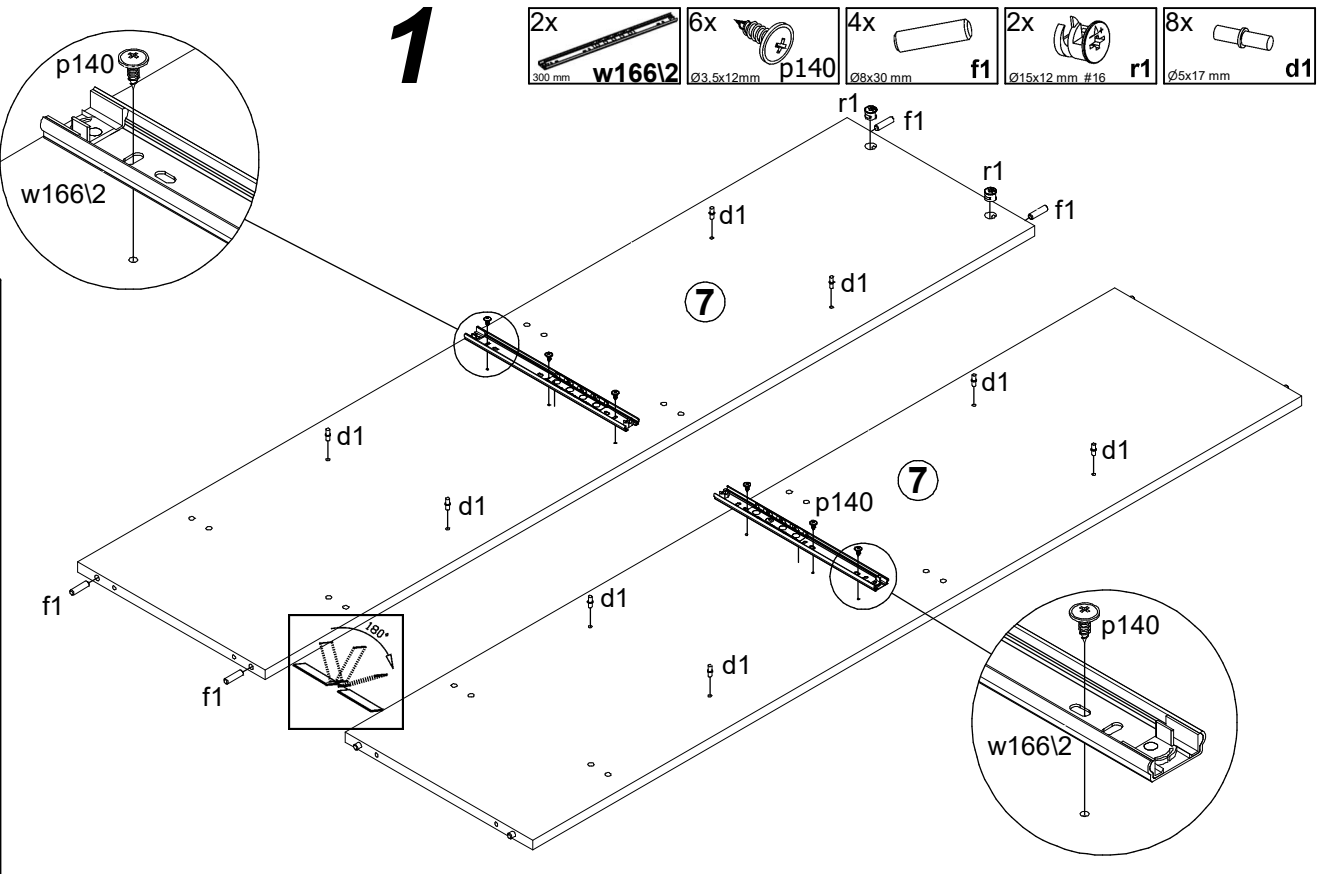
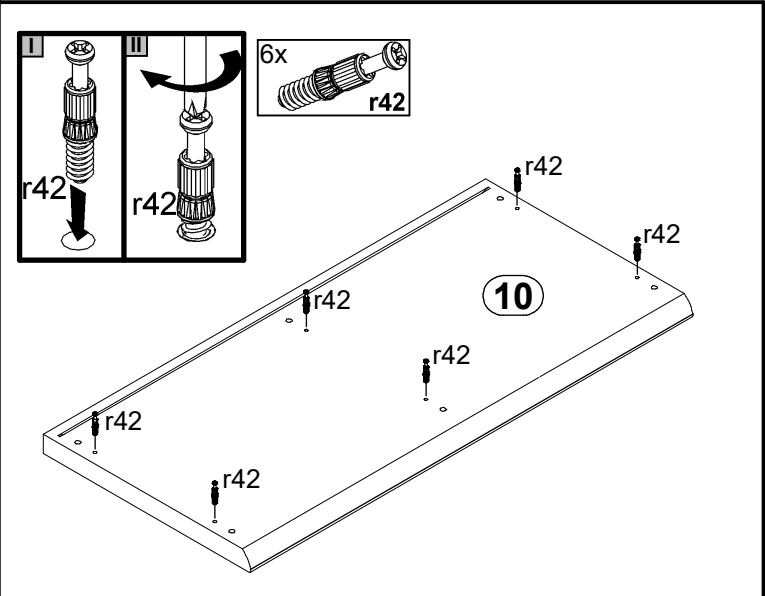
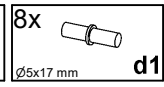
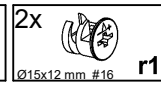
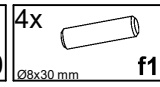
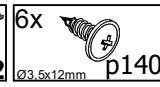
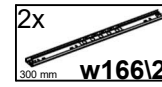








1

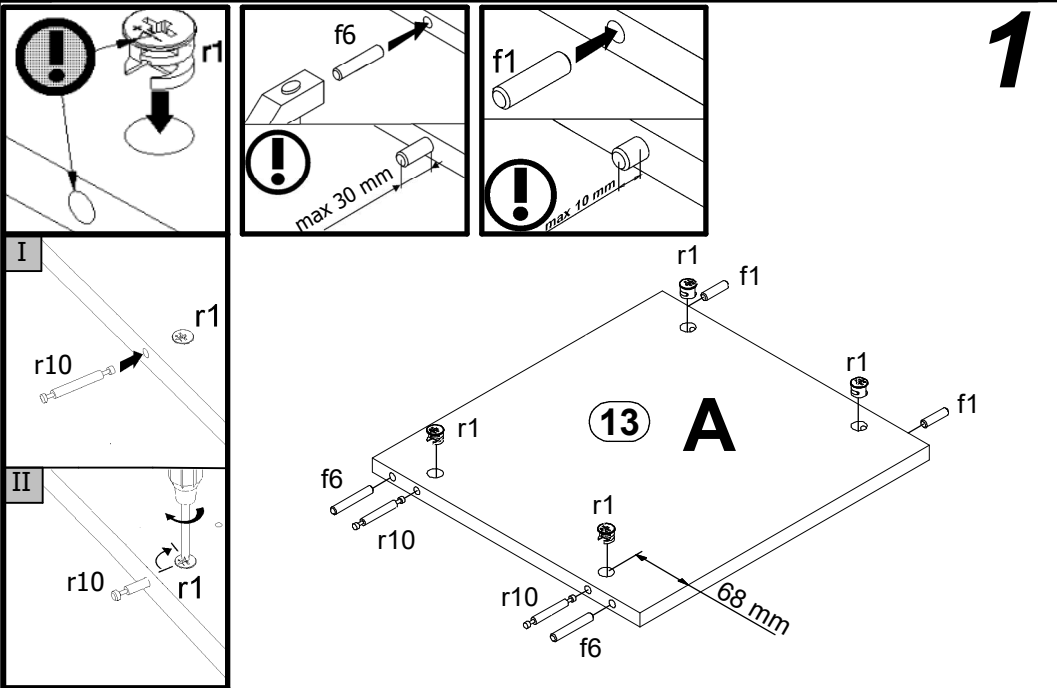


A

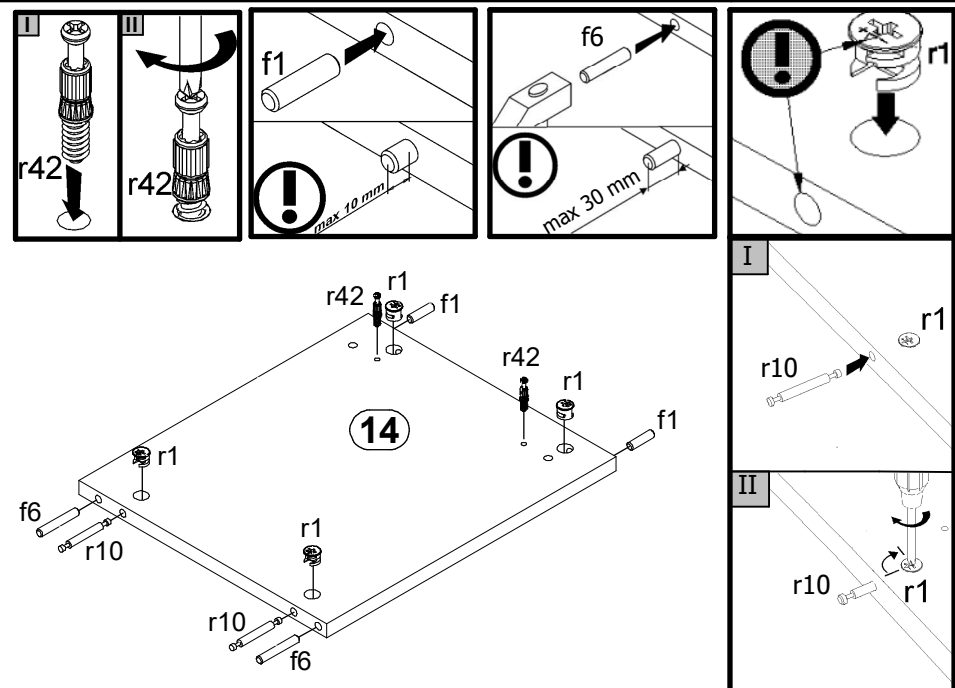
S248-REG2W4S/19/8

10D0--01

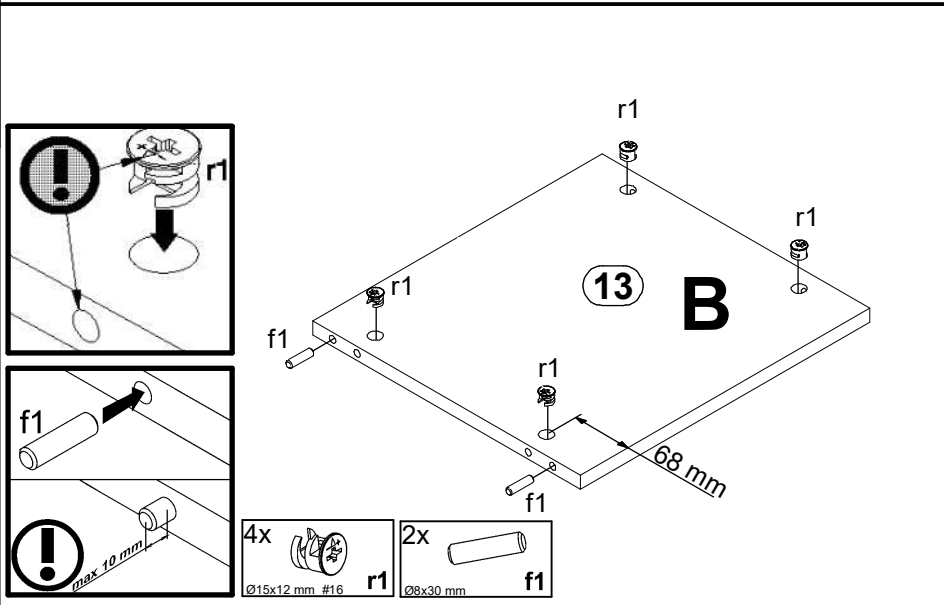
7 / 16



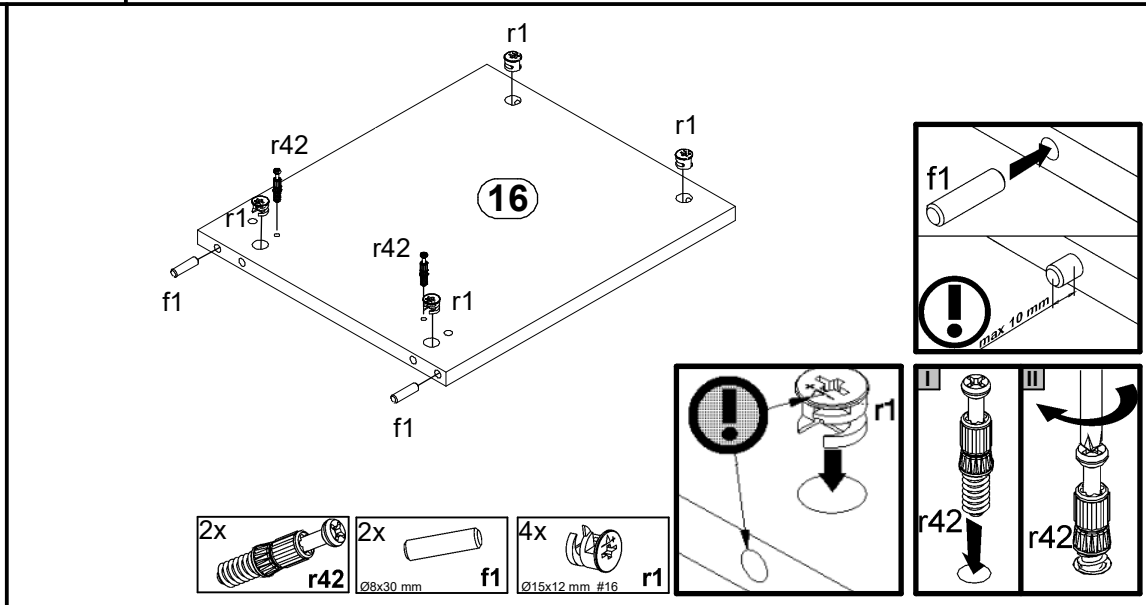
- 2x $\varnothing 8 \times 30$ mm f1
- 4x $\varnothing 15 \times 12$ mm #16 r1
- 2x $\varnothing 8 \times 30$ mm r10
- 2x $\varnothing 8 \times 50$ mm f6



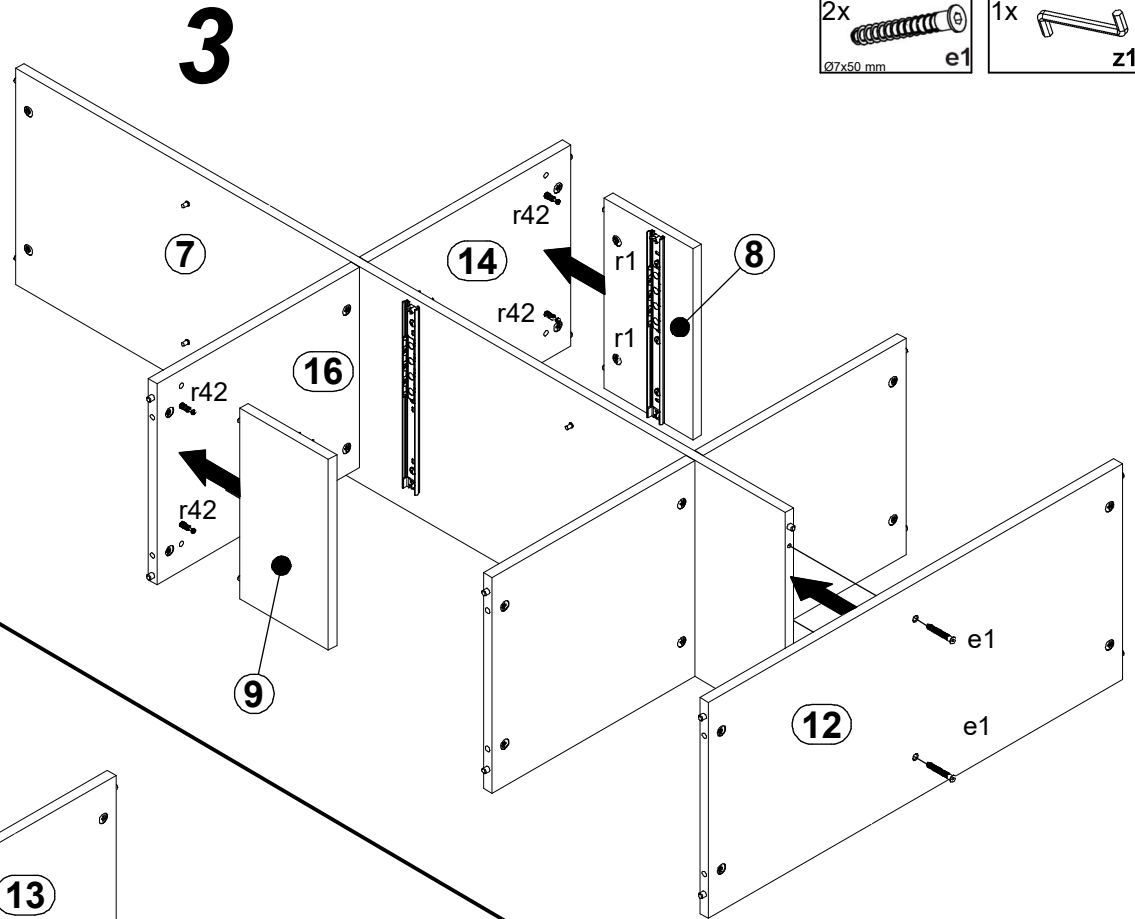
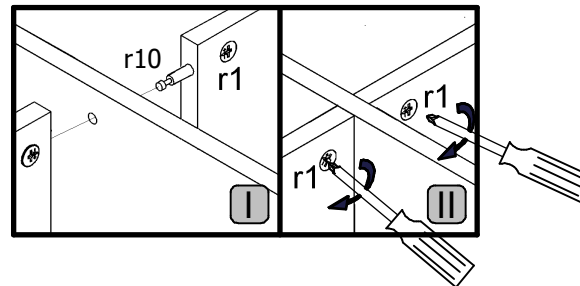
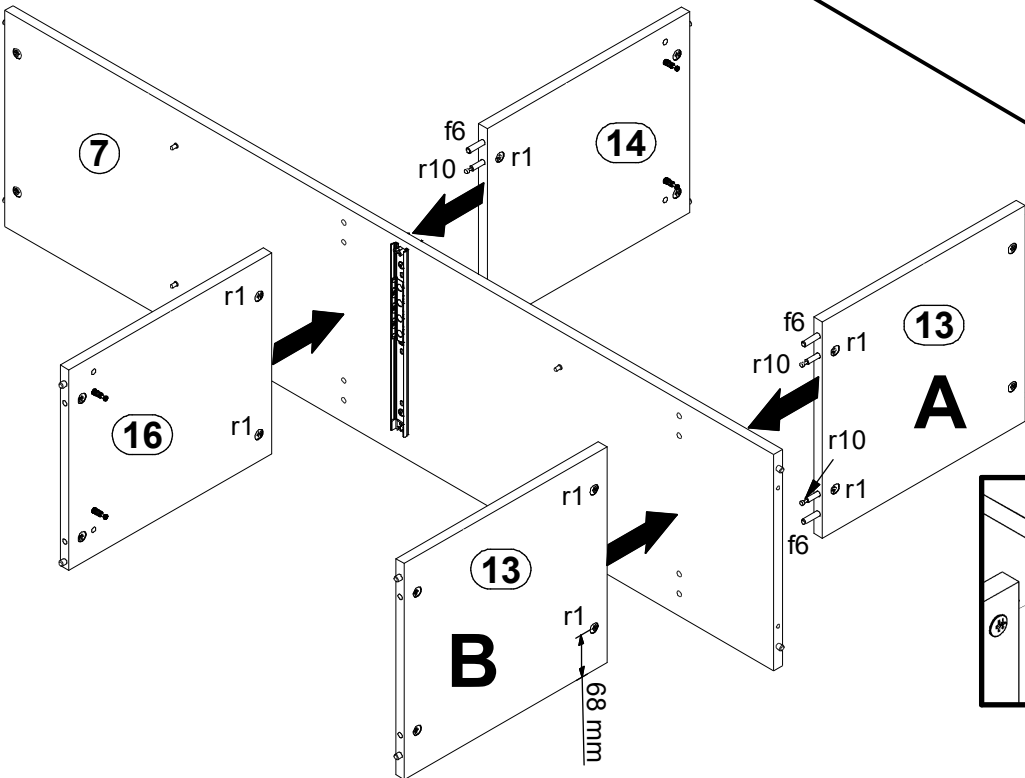
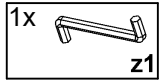
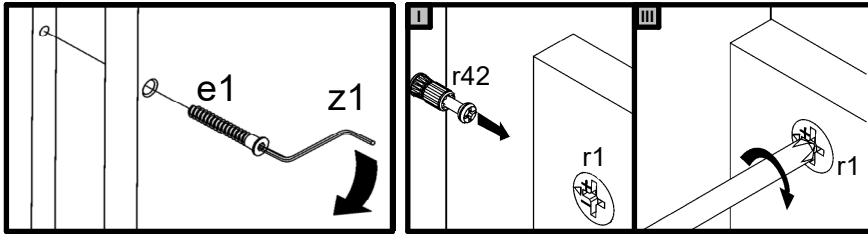
- 2x $\varnothing 8 \times 30$ mm r42
- 2x $\varnothing 8 \times 30$ mm f1
- 4x $\varnothing 15 \times 12$ mm #16 r1
- 2x $\varnothing 8 \times 30$ mm r10
- 2x $\varnothing 8 \times 50$ mm f6

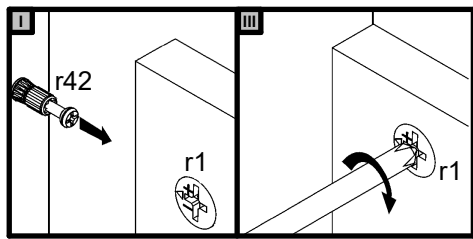


- 4x $\varnothing 15 \times 12$ mm #16 r1
- 2x $\varnothing 8 \times 30$ mm f1



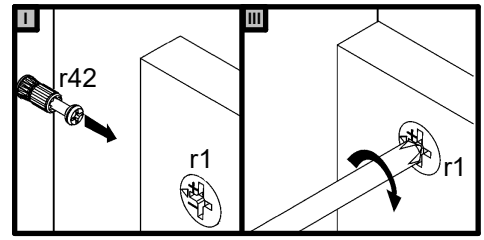
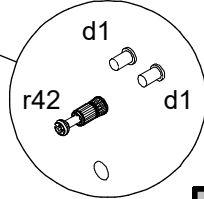
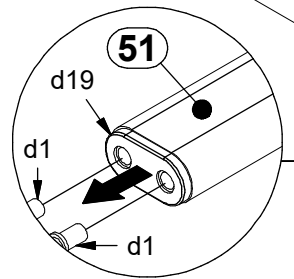
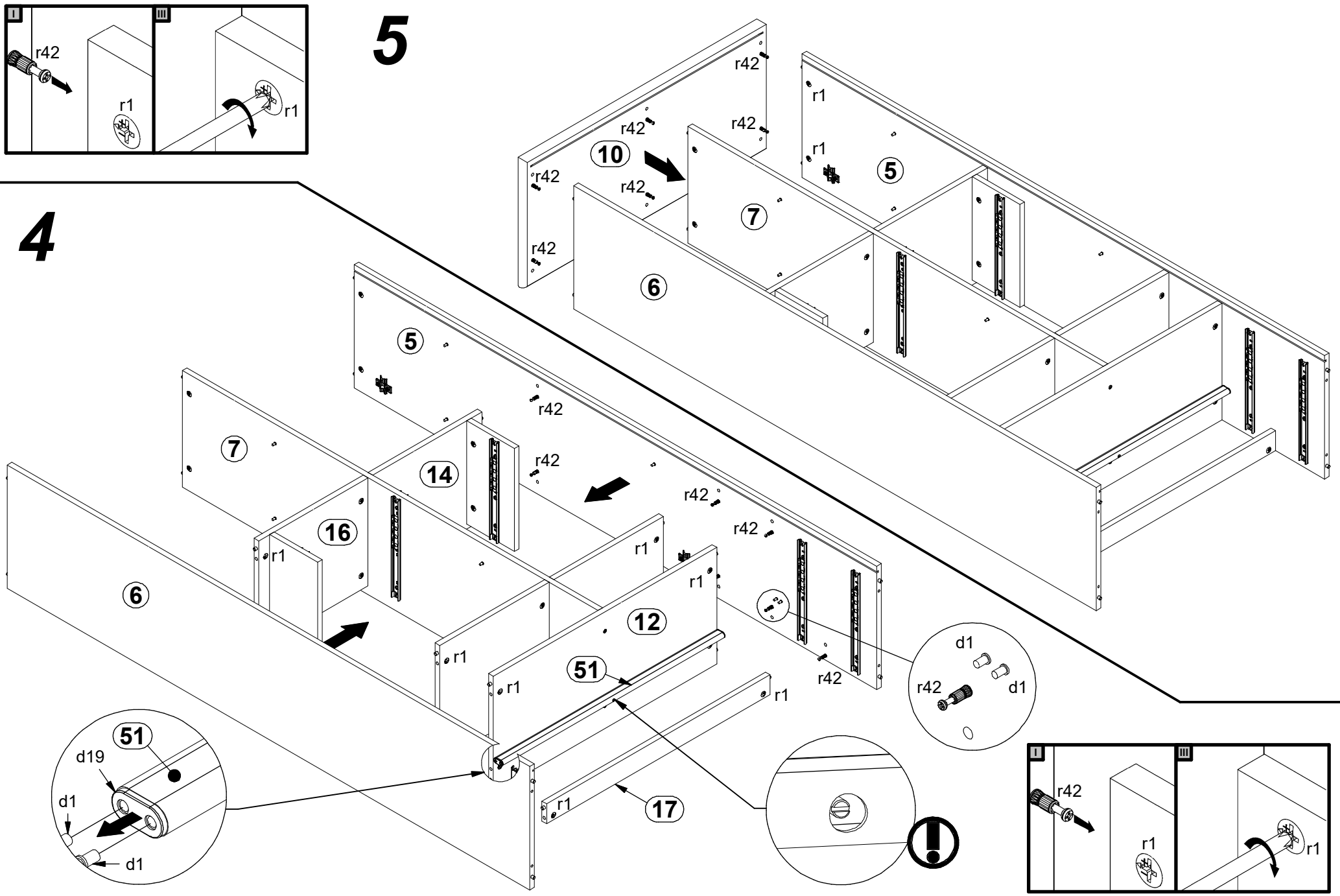
- 2x $\varnothing 8 \times 30$ mm r42
- 2x $\varnothing 8 \times 30$ mm f1
- 4x $\varnothing 15 \times 12$ mm #16 r1

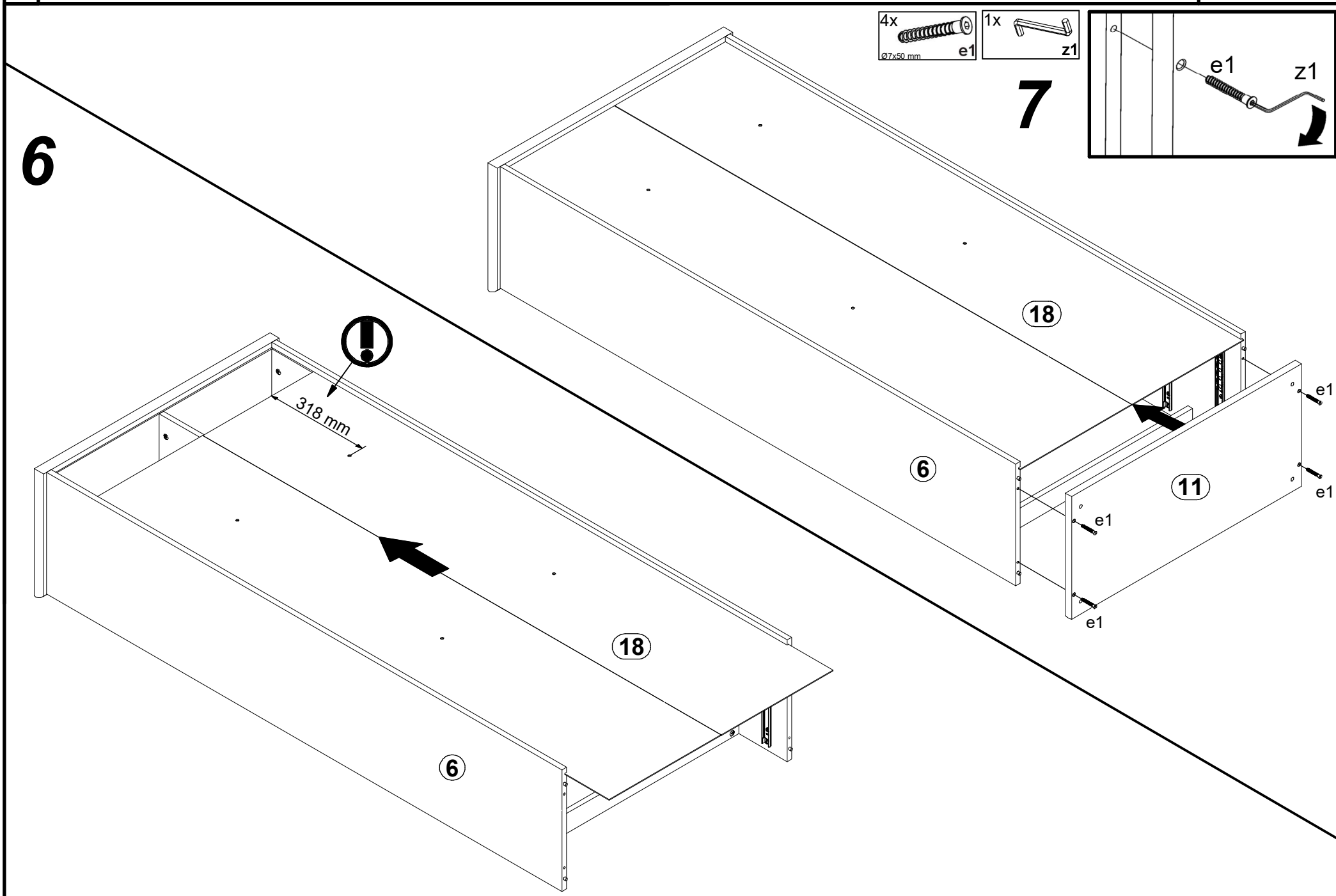


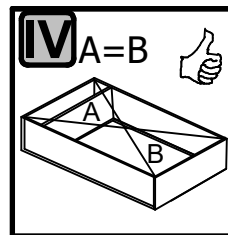
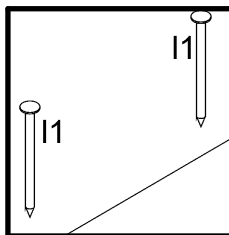
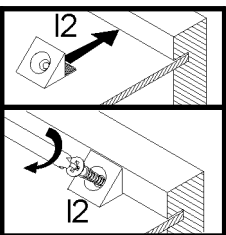
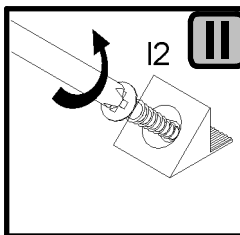
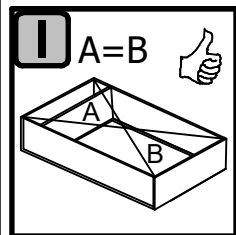


5

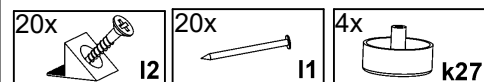
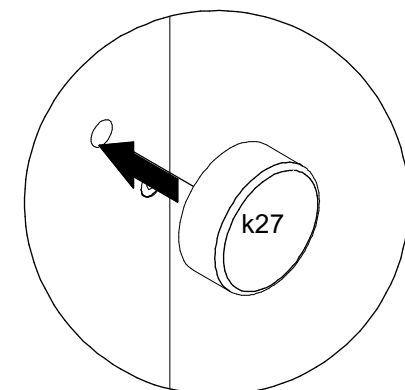
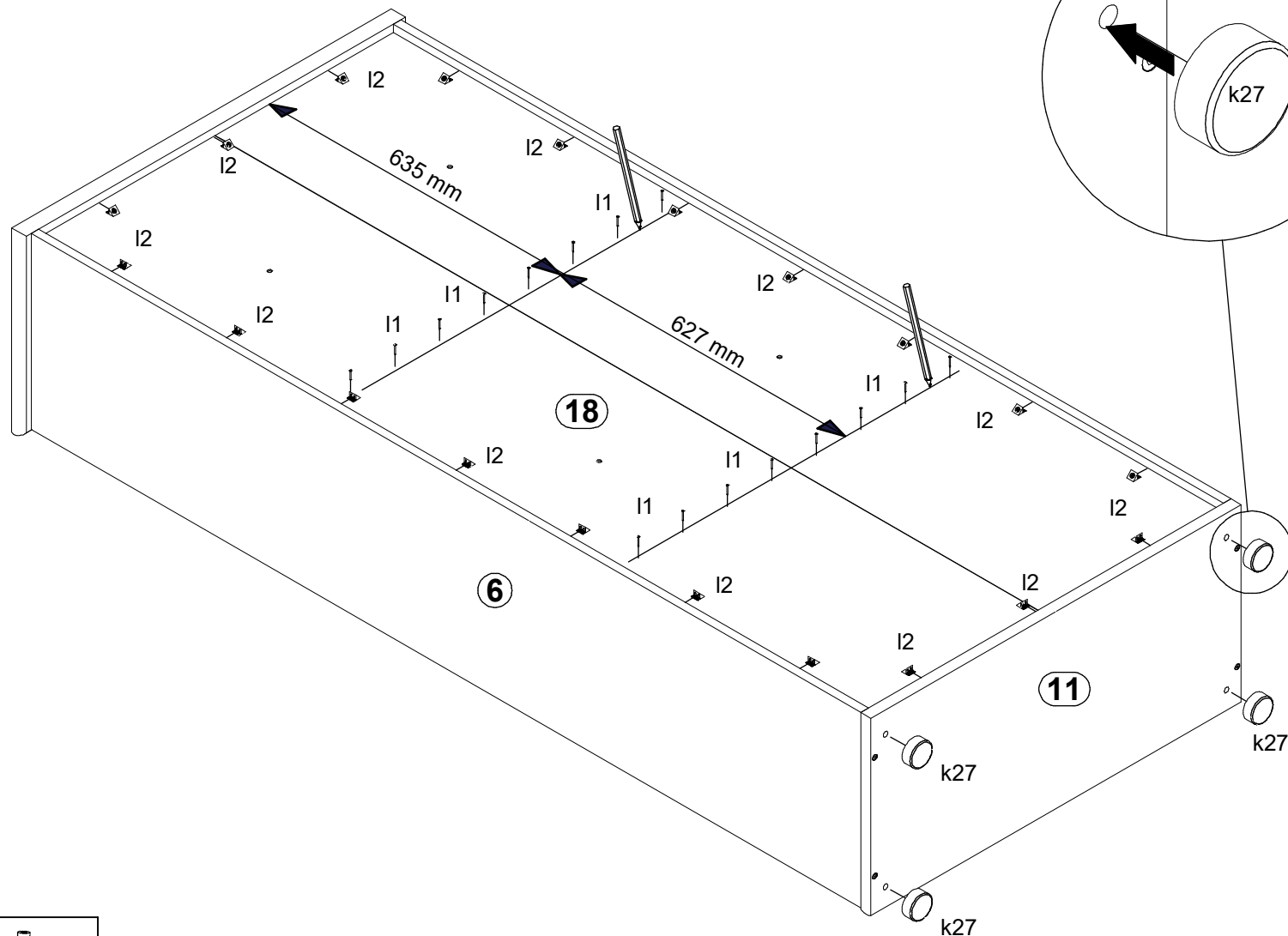
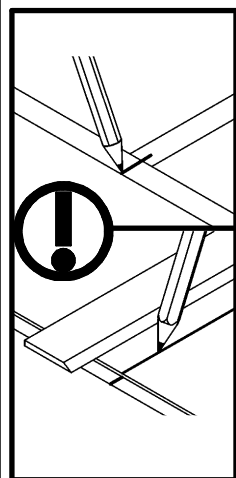
4




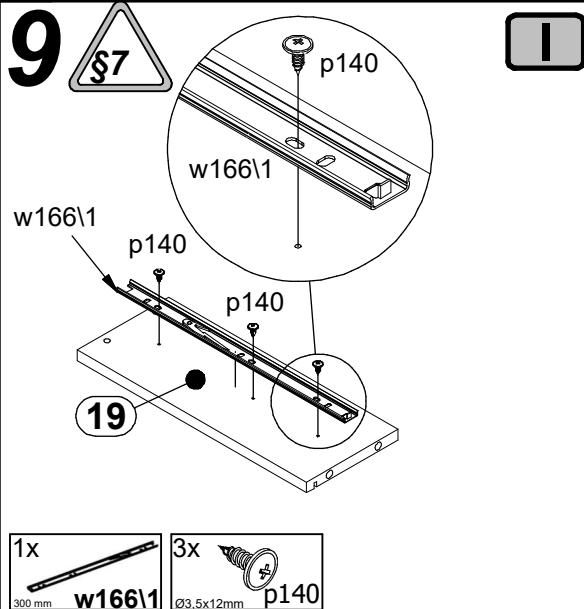




8

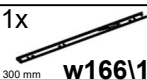



9  **I**



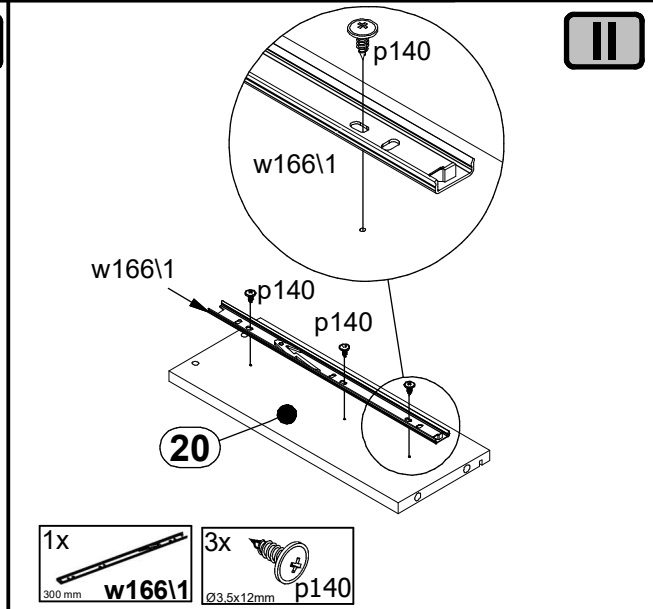
w1661 p140

19

1x  w1661 300 mm

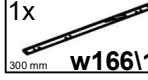
3x  p140 Ø3,5x12mm

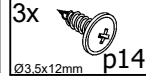
II



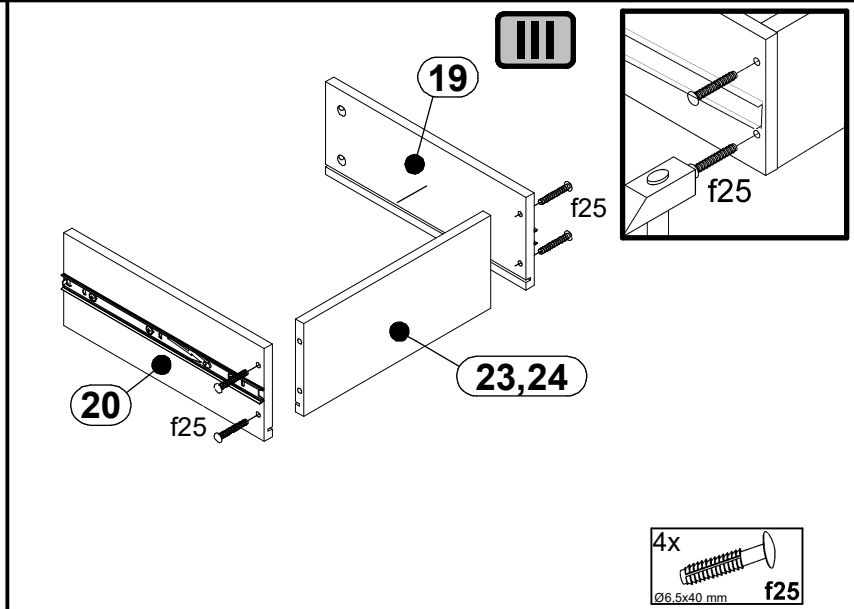
w1661 p140

20

1x  w1661 300 mm

3x  p140 Ø3,5x12mm

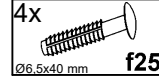
III



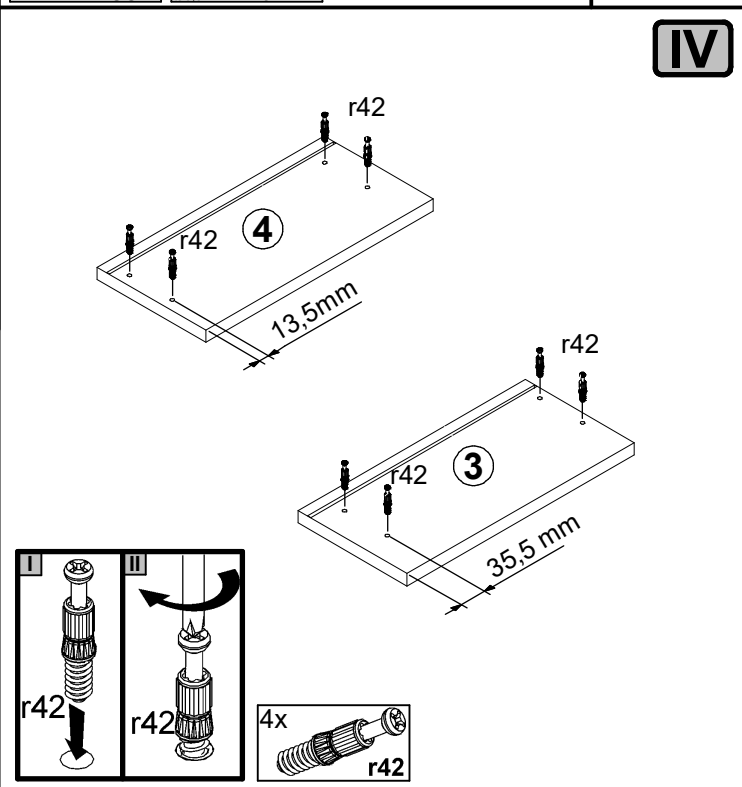
19 f25

20 f25

23,24

4x  f25 Ø6,5x40 mm

IV



r42

4

13,5 mm

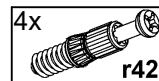
r42

3

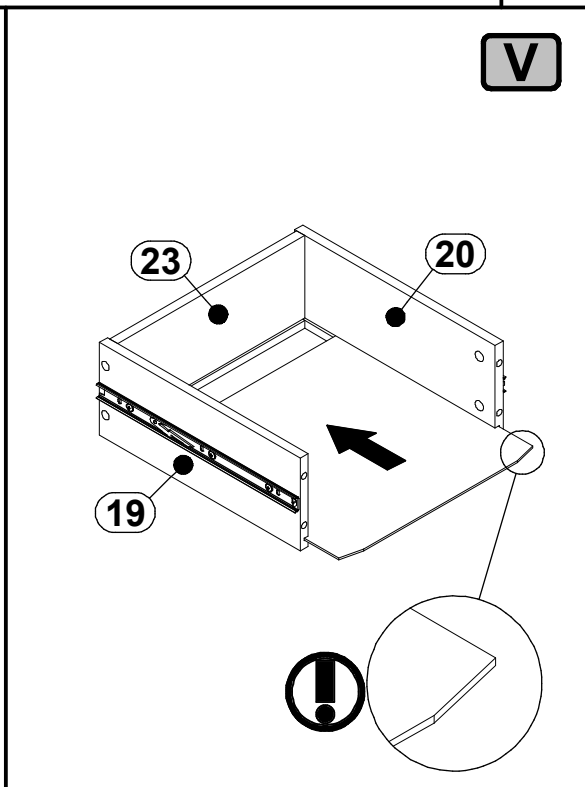
35,5 mm

r42

r42

4x  r42

V



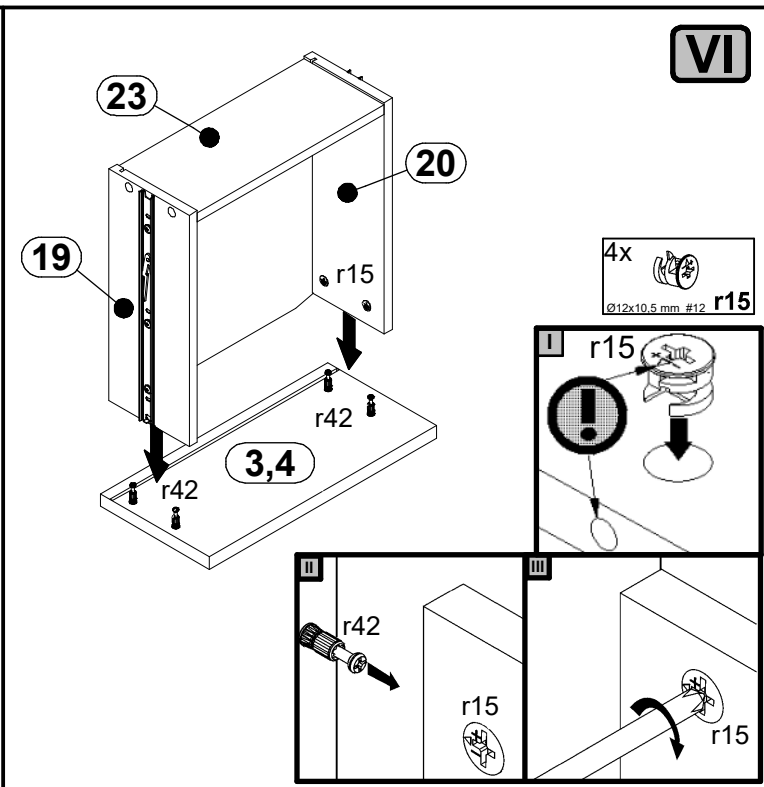
23

20

19

!

VI



23


20

19

r15

r42

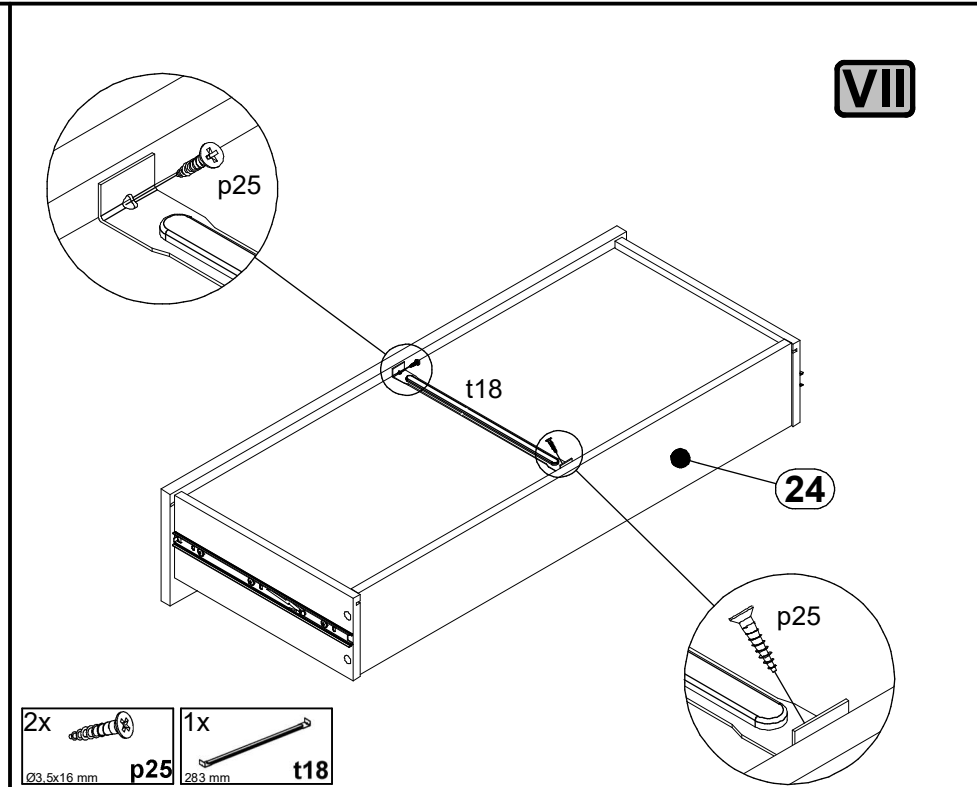
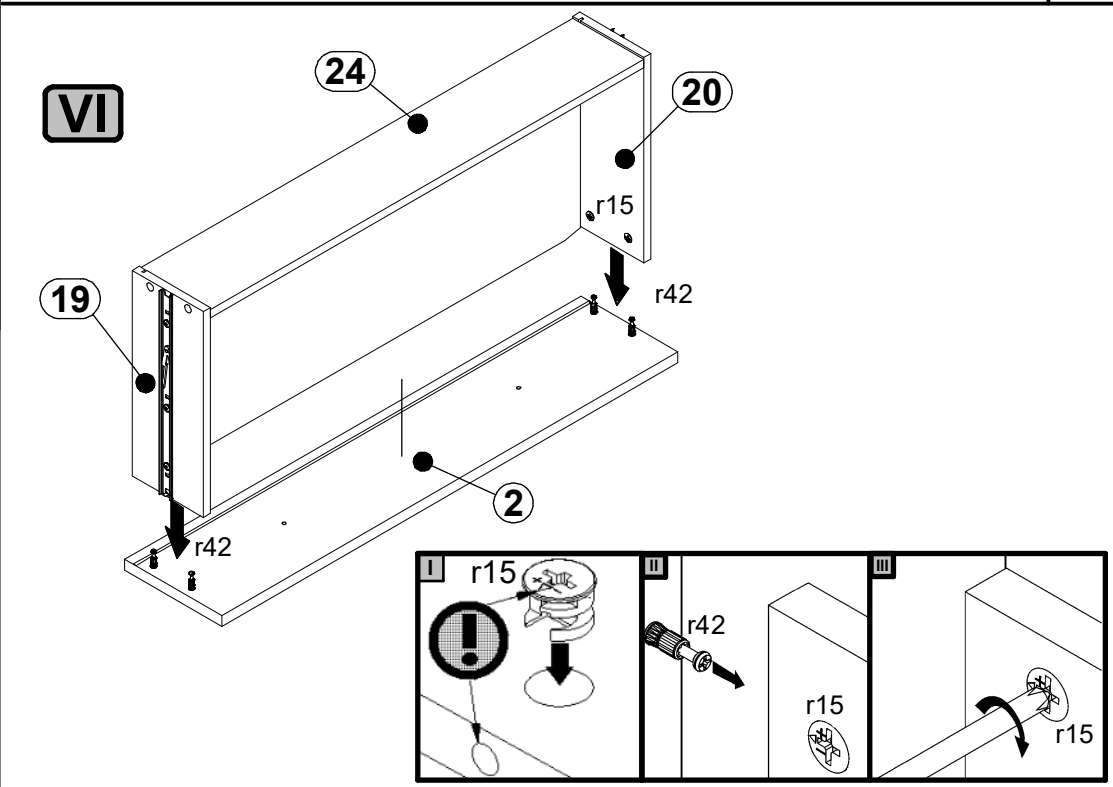
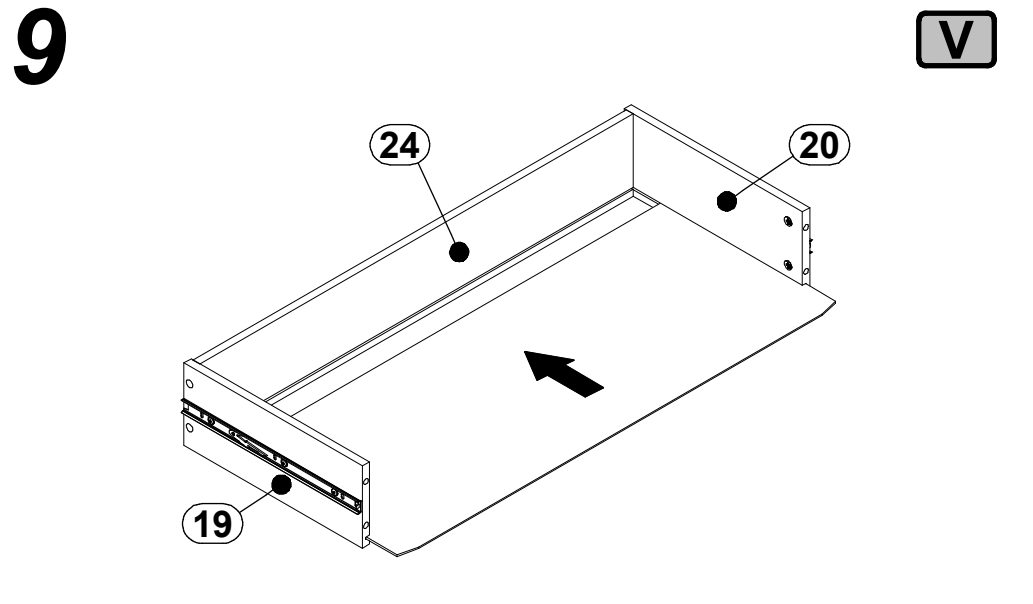
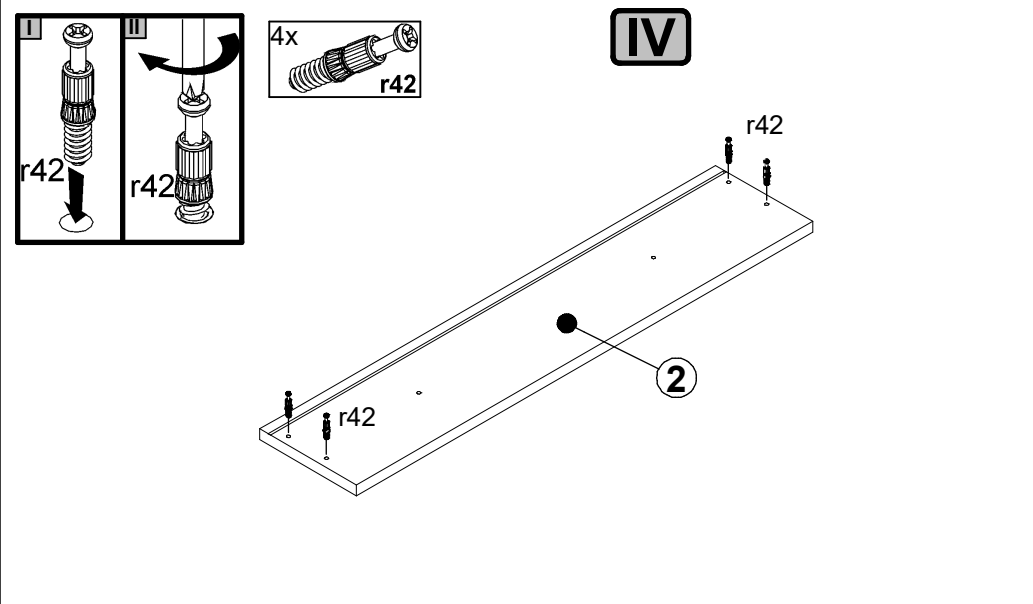
3,4

4x  r15 Ø12x10,5 mm #12

r15

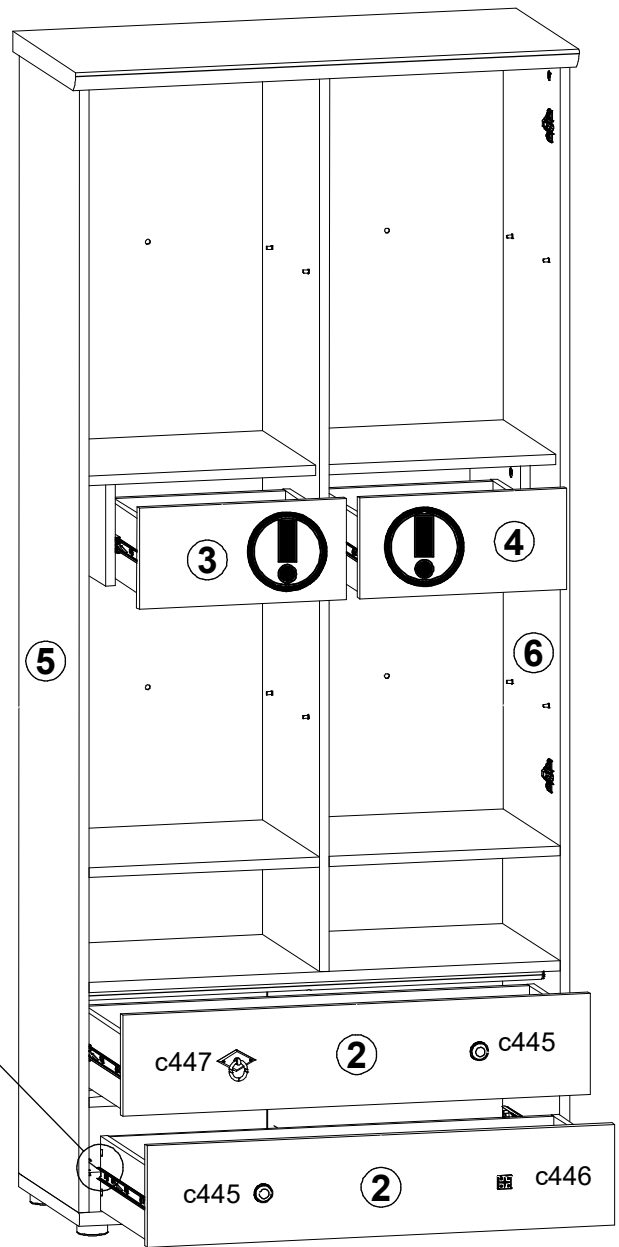
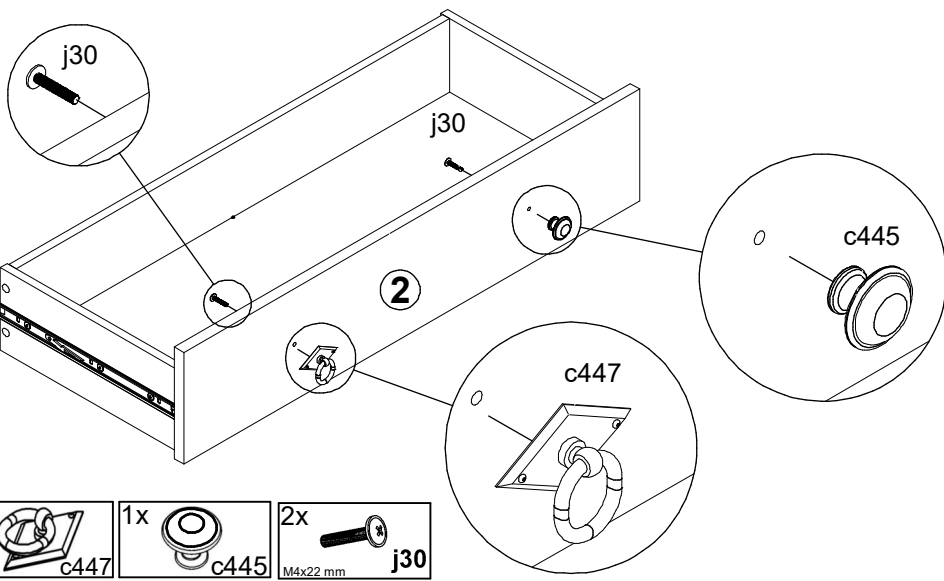
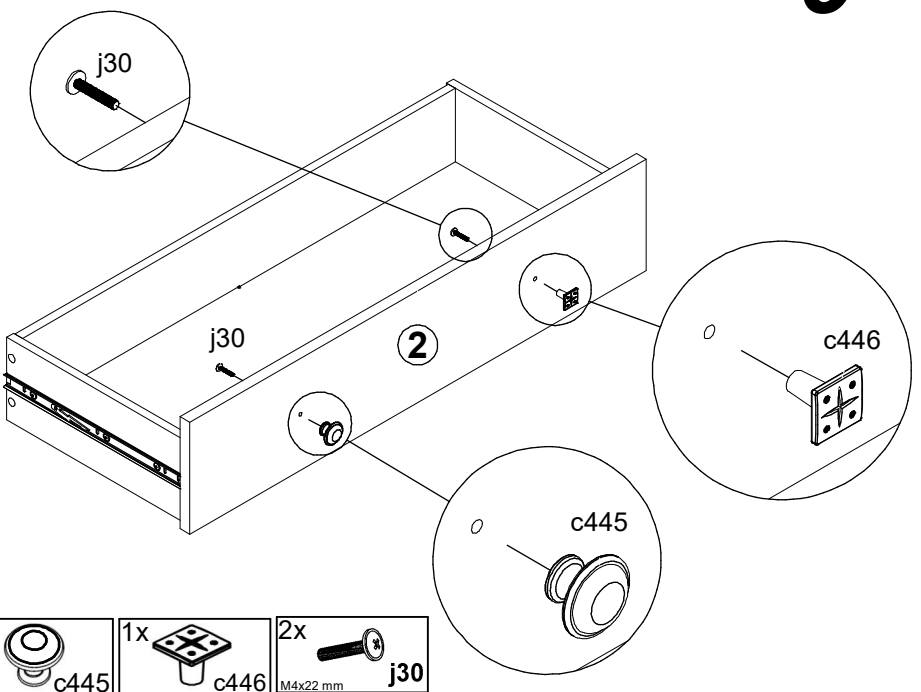
r42

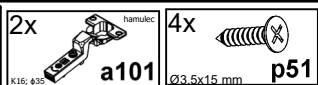
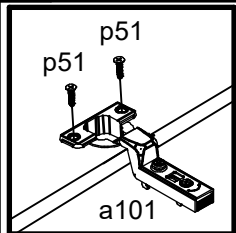
r15



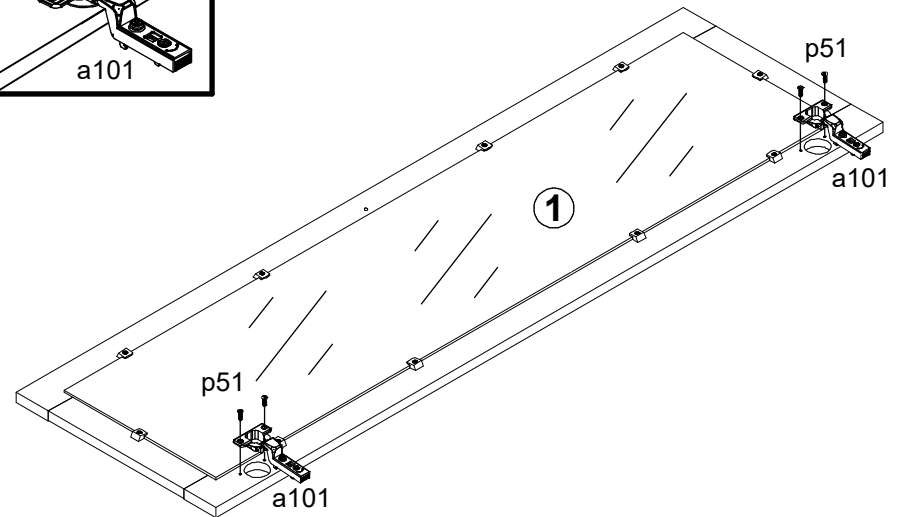
9 VII

10

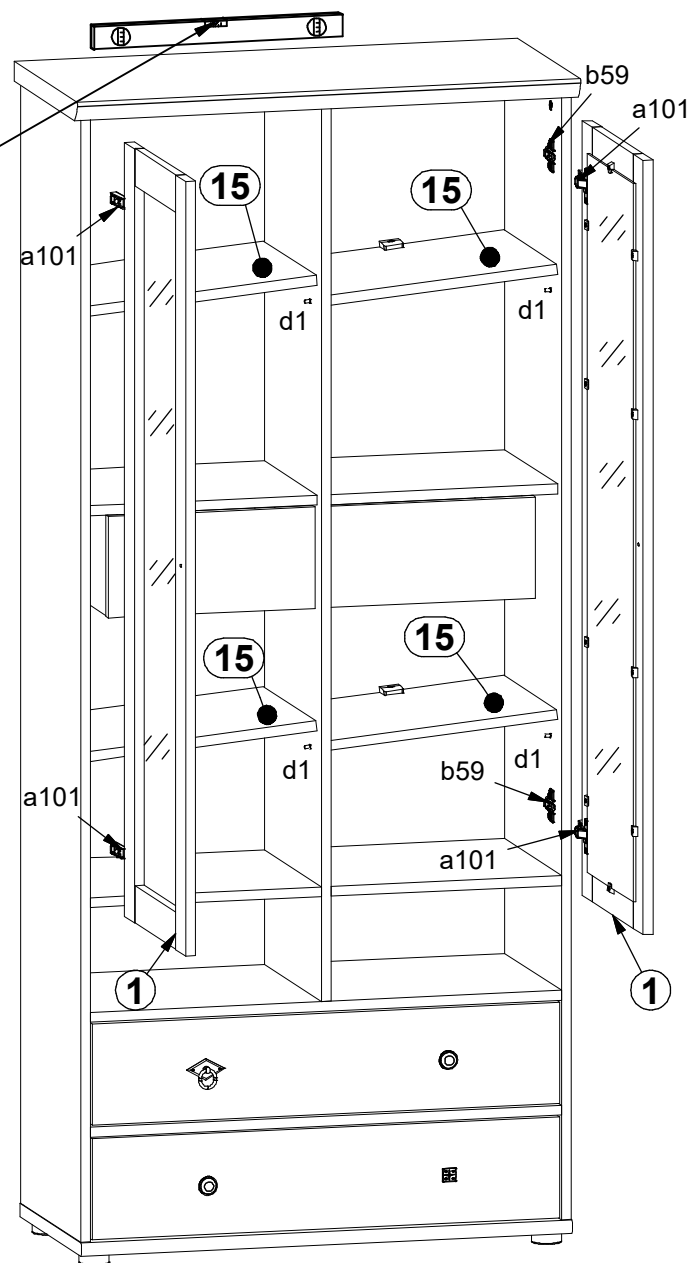
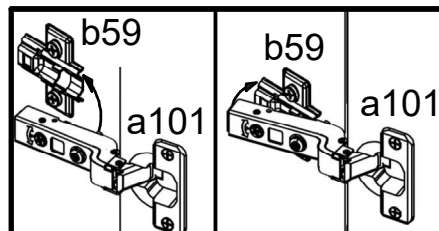
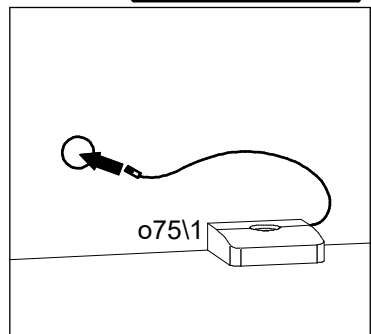
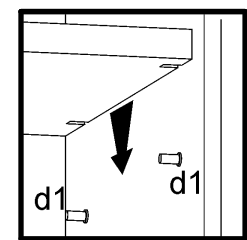
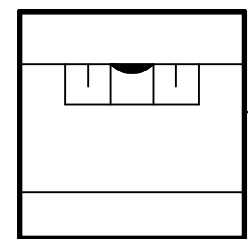




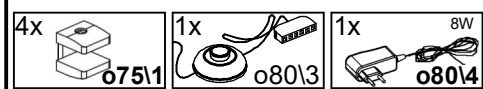
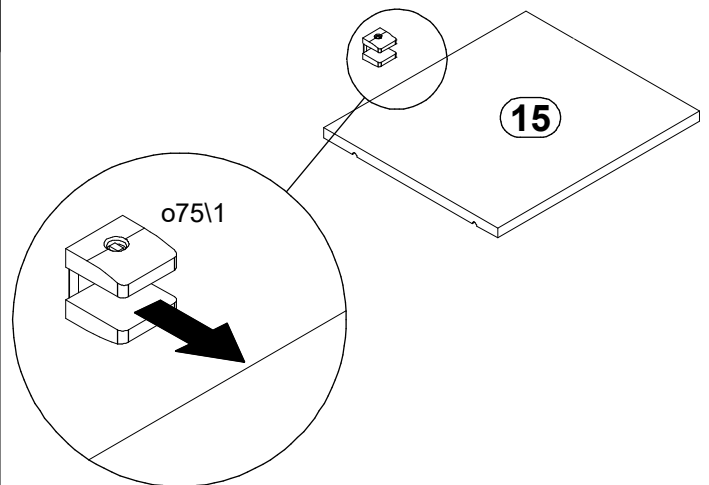
11

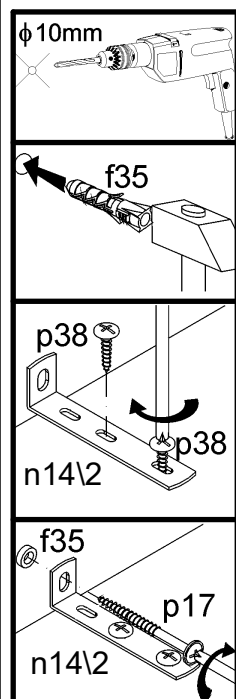


13

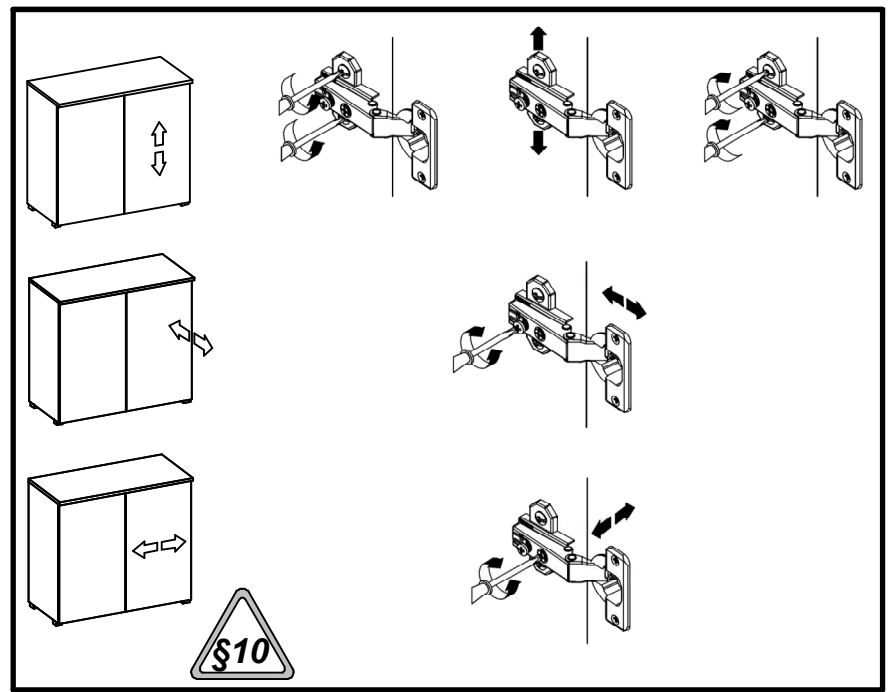
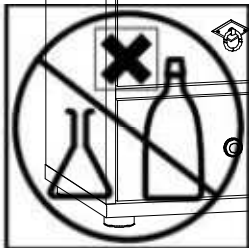
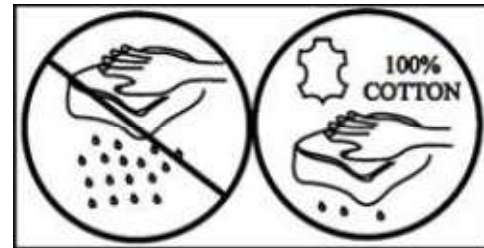
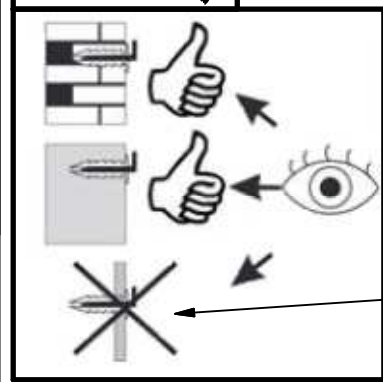
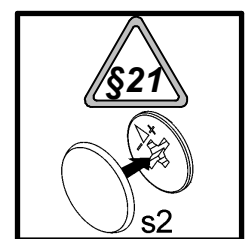
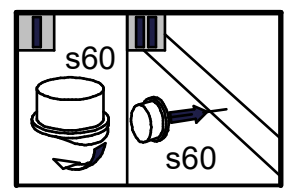
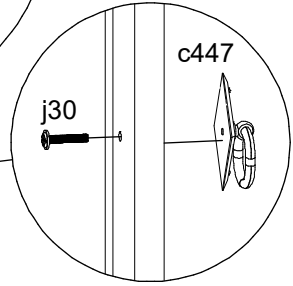
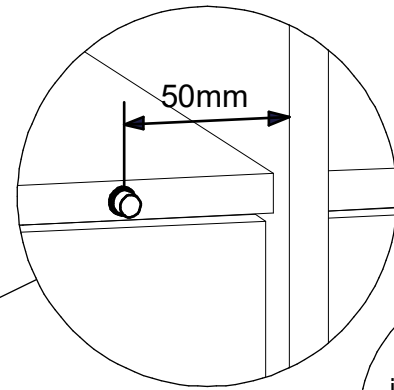
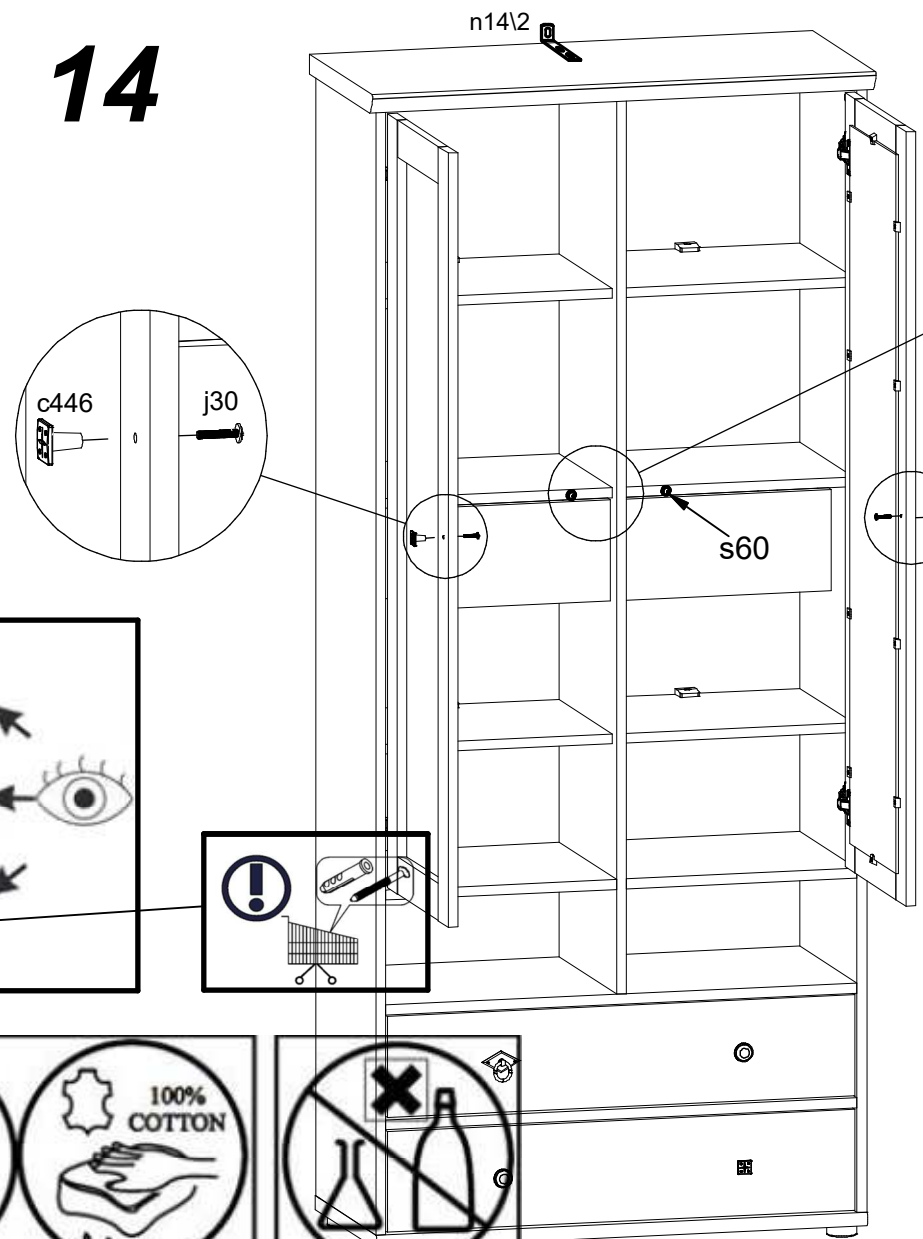


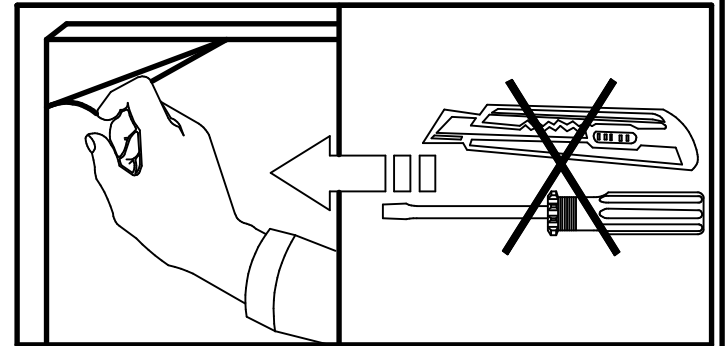
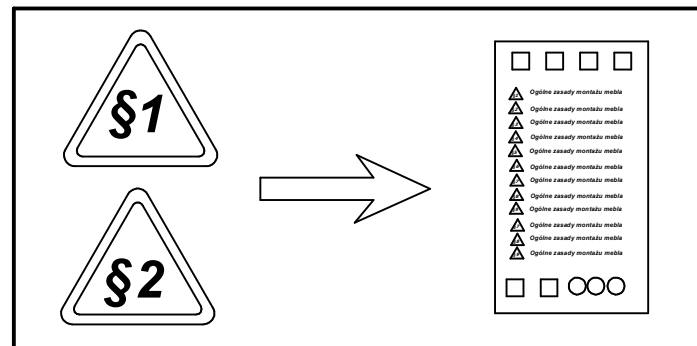
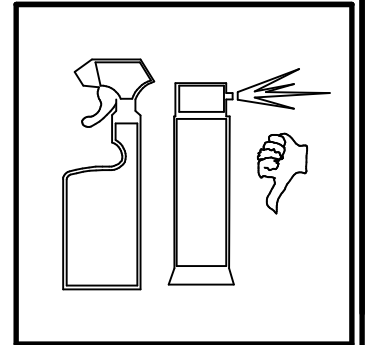
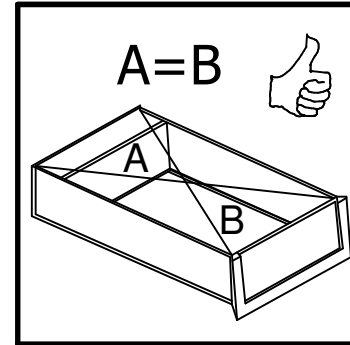
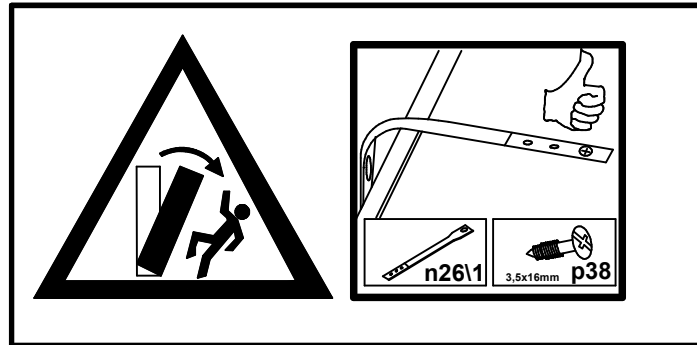
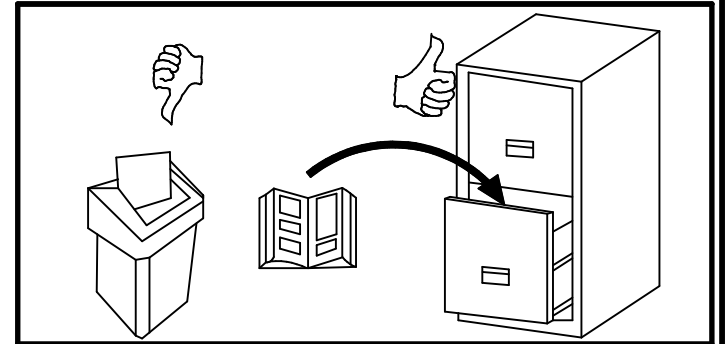
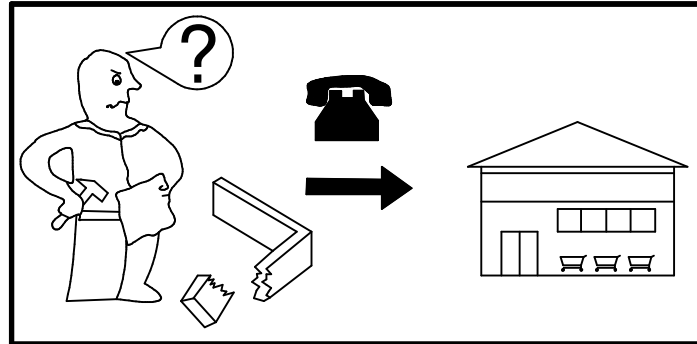
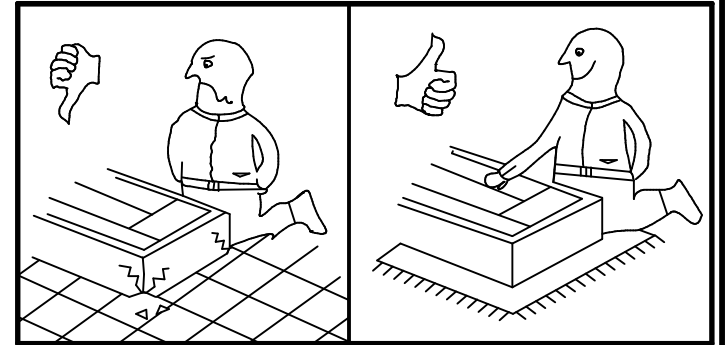
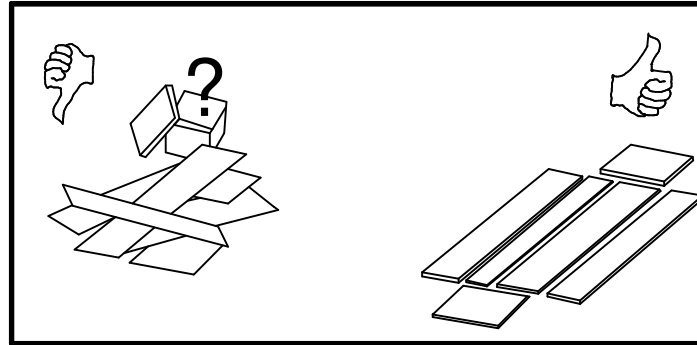
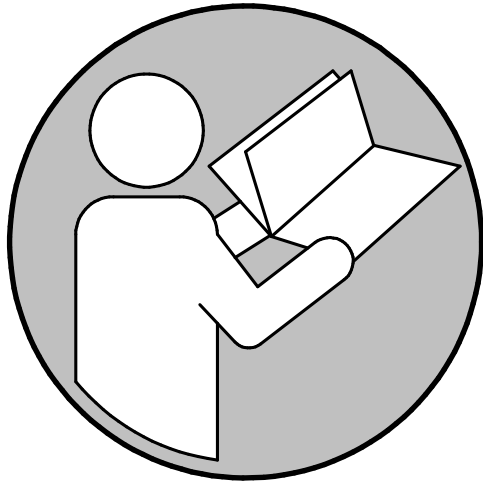
12

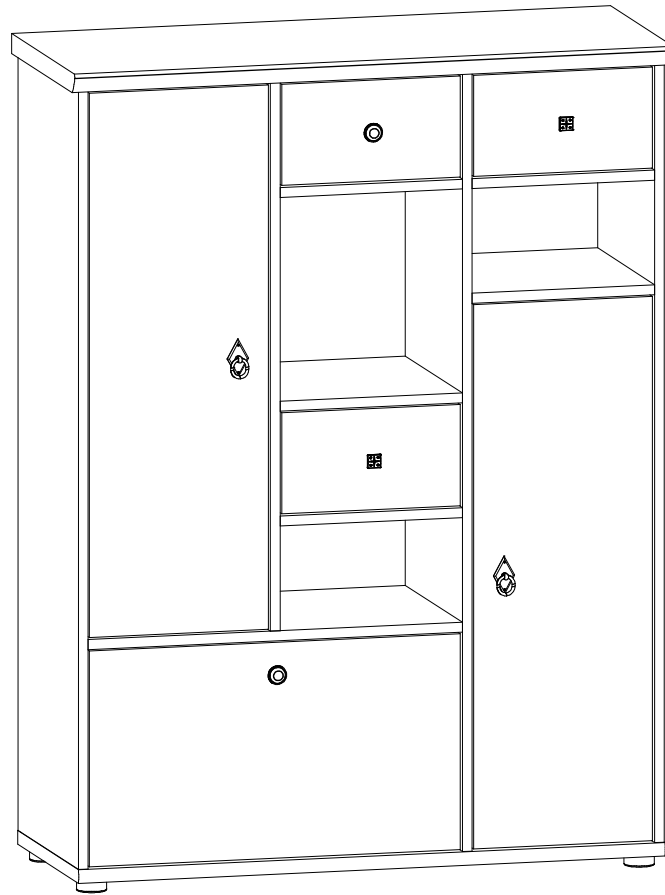
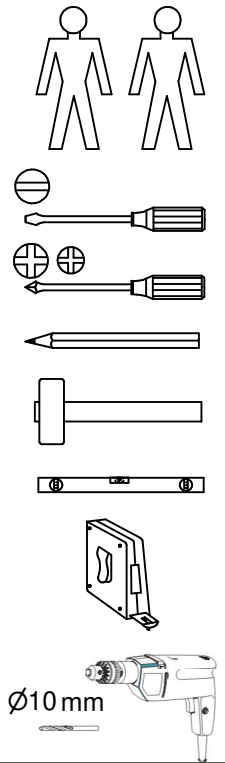




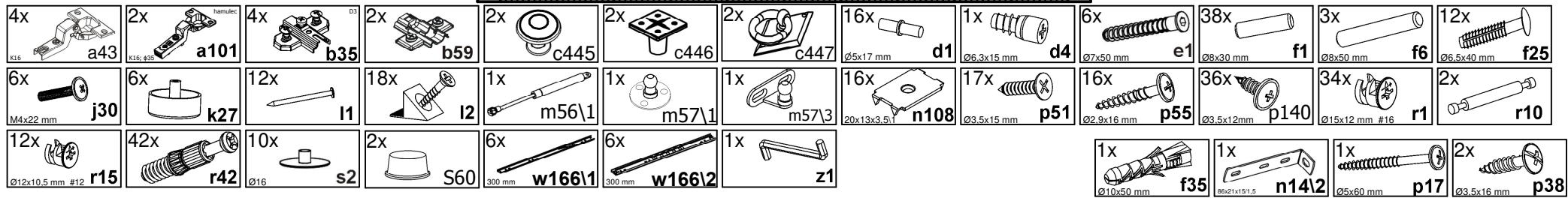
14

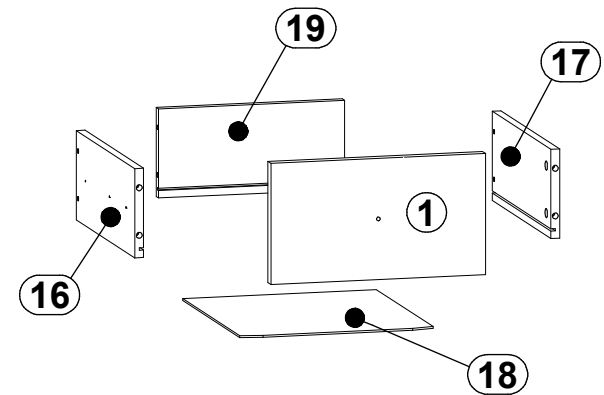
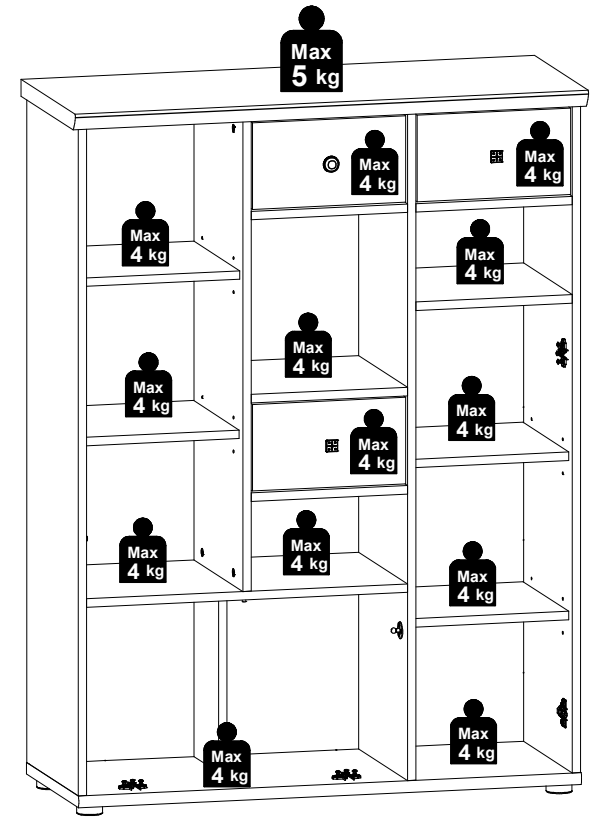
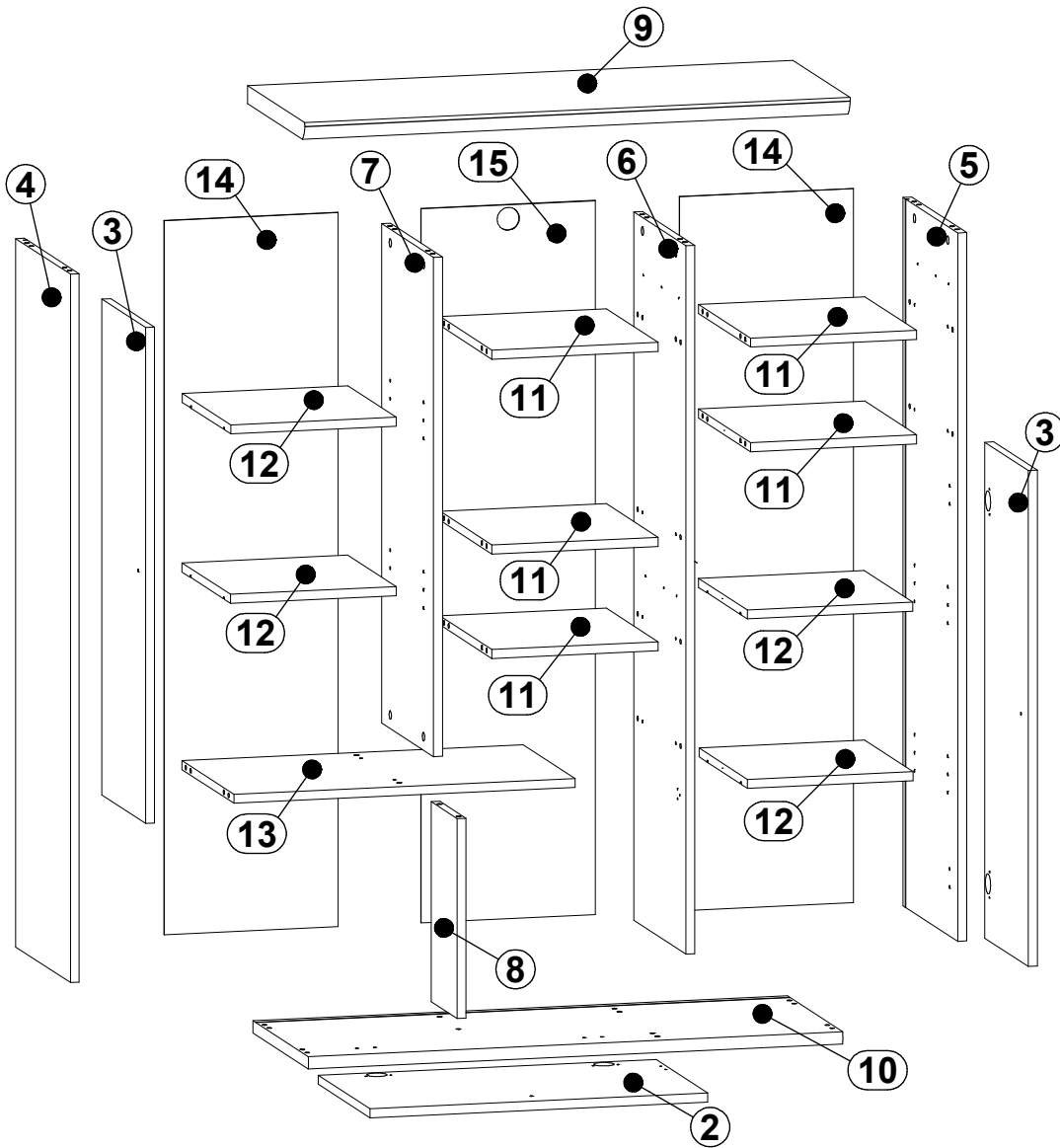


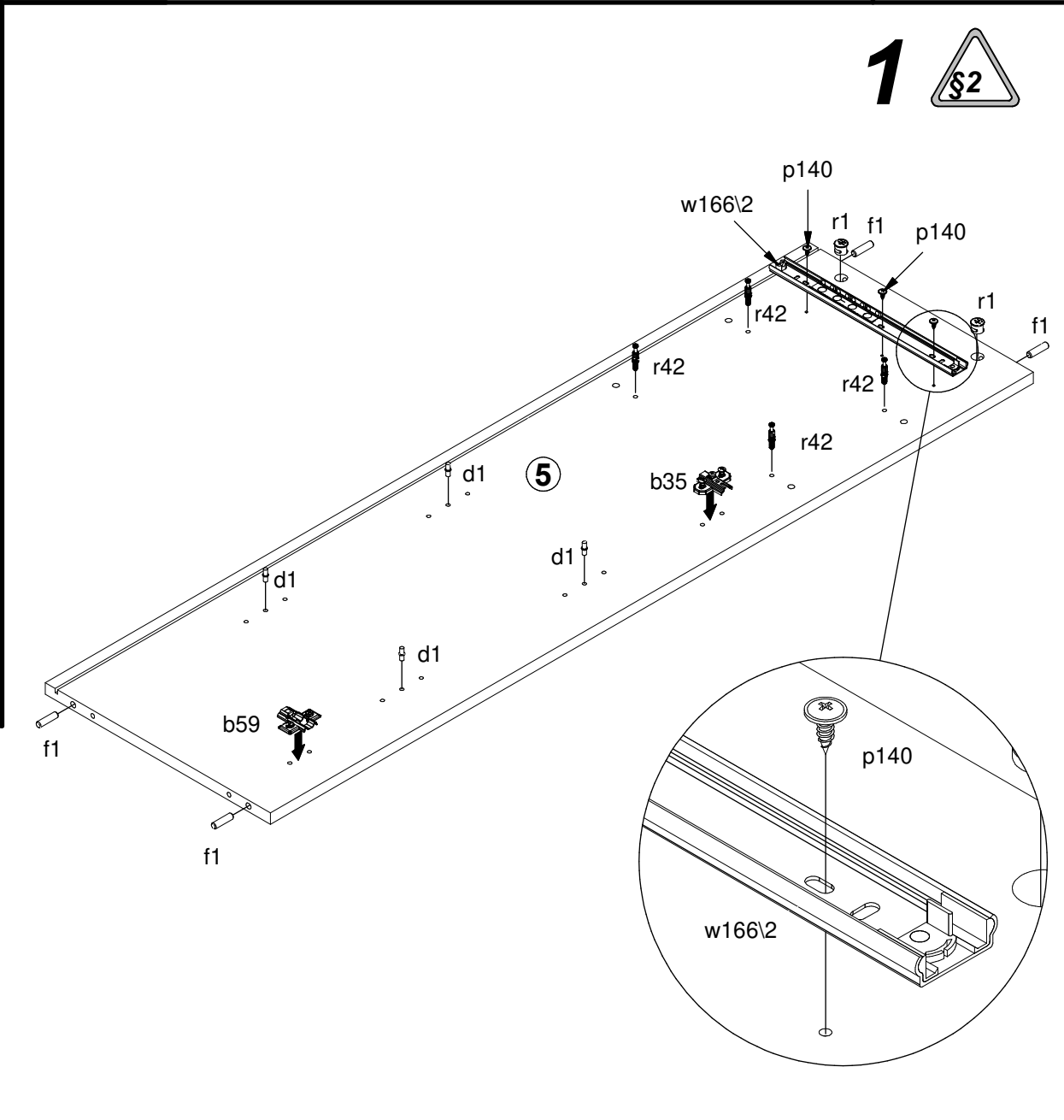
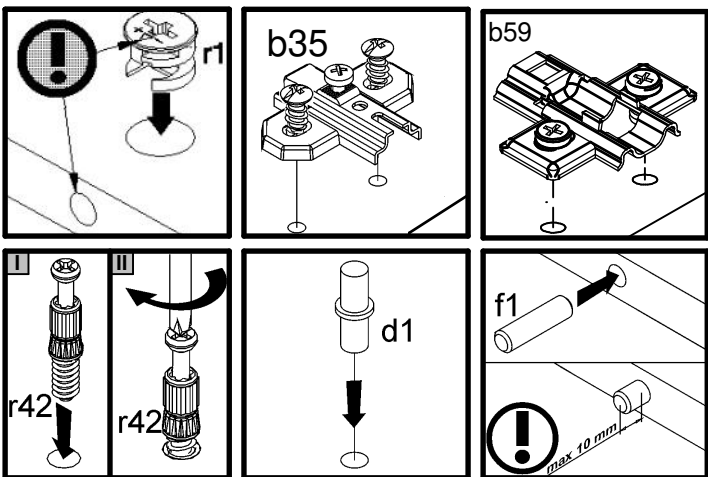
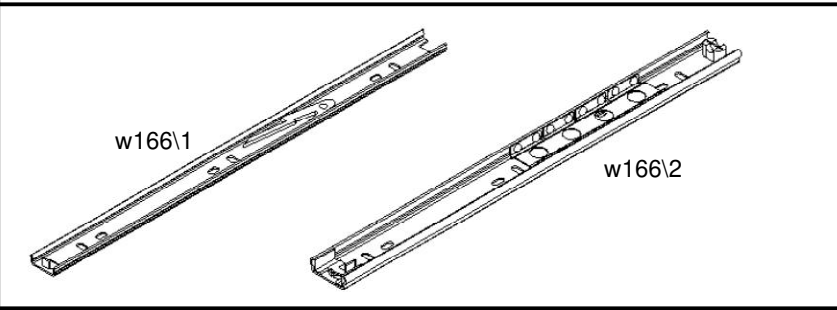
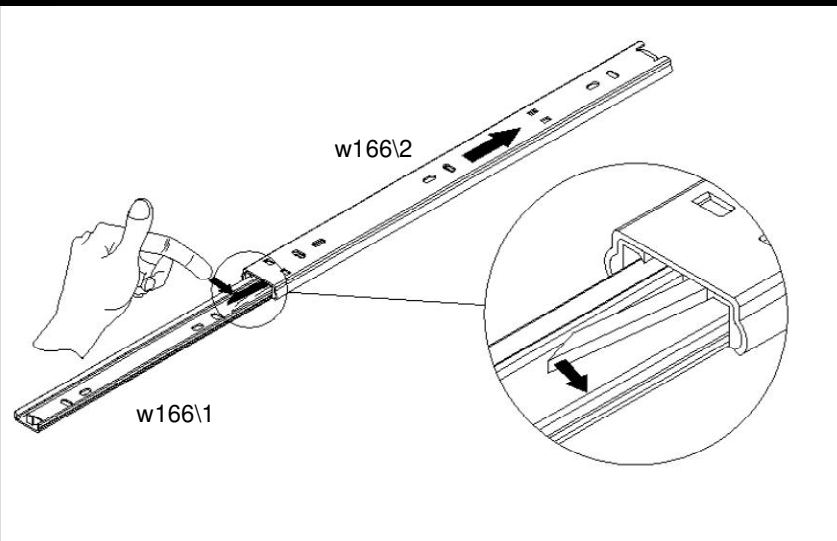




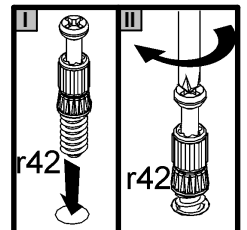
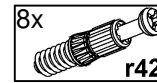
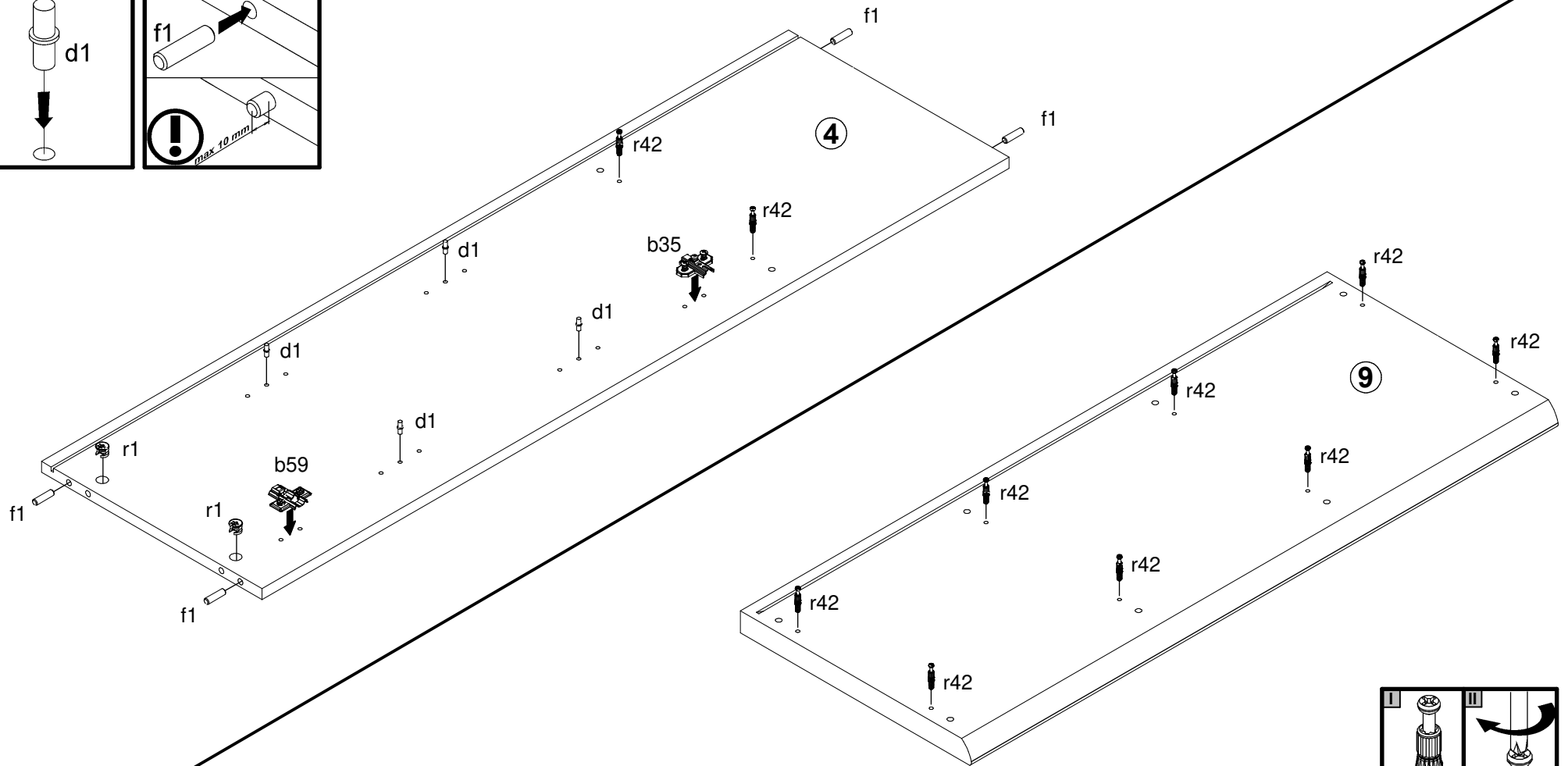
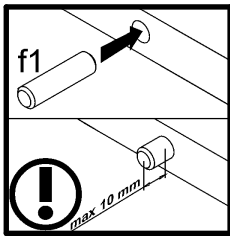
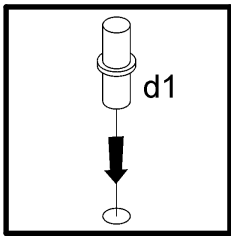
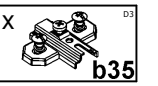
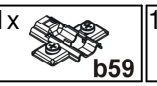
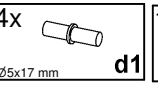
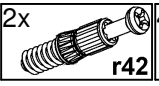
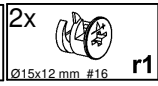
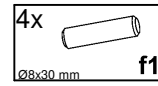
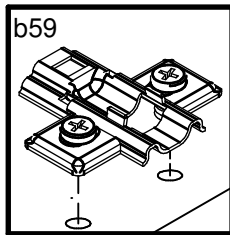
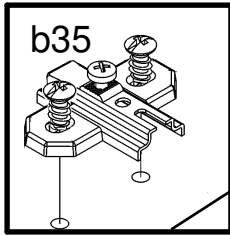
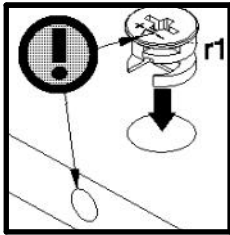
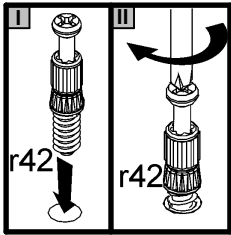
A	B	C (mm)		D
1	S248-0009	163	294	2/2
2	S248-0010	610	348	2/2
3	S248-0011	878	294	2/2
4	S248-1009	1254	370	2/2
5	S248-1010	1254	370	2/2
6	S248-1011	1254	350	2/2
7	S248-1012	884	350	2/2
8	S248-1013	354	175	2/2
9	S248-2004	985	388	1/2
10	S248-2005	965	375	1/2
11	S248-3007	300	350	1/2
12	S248-3008	299	327	1/2
13	S248-3009	616	350	1/2
14	S248-9002	1264	314	2/2
15	S248-9004	1264	314	2/2
16	WSK3-503	300	120	1/2
17	WSK3-504	300	120	1/2
18	WSP-9090	265	298	1/2
19	WTR-5026	255	120	1/2

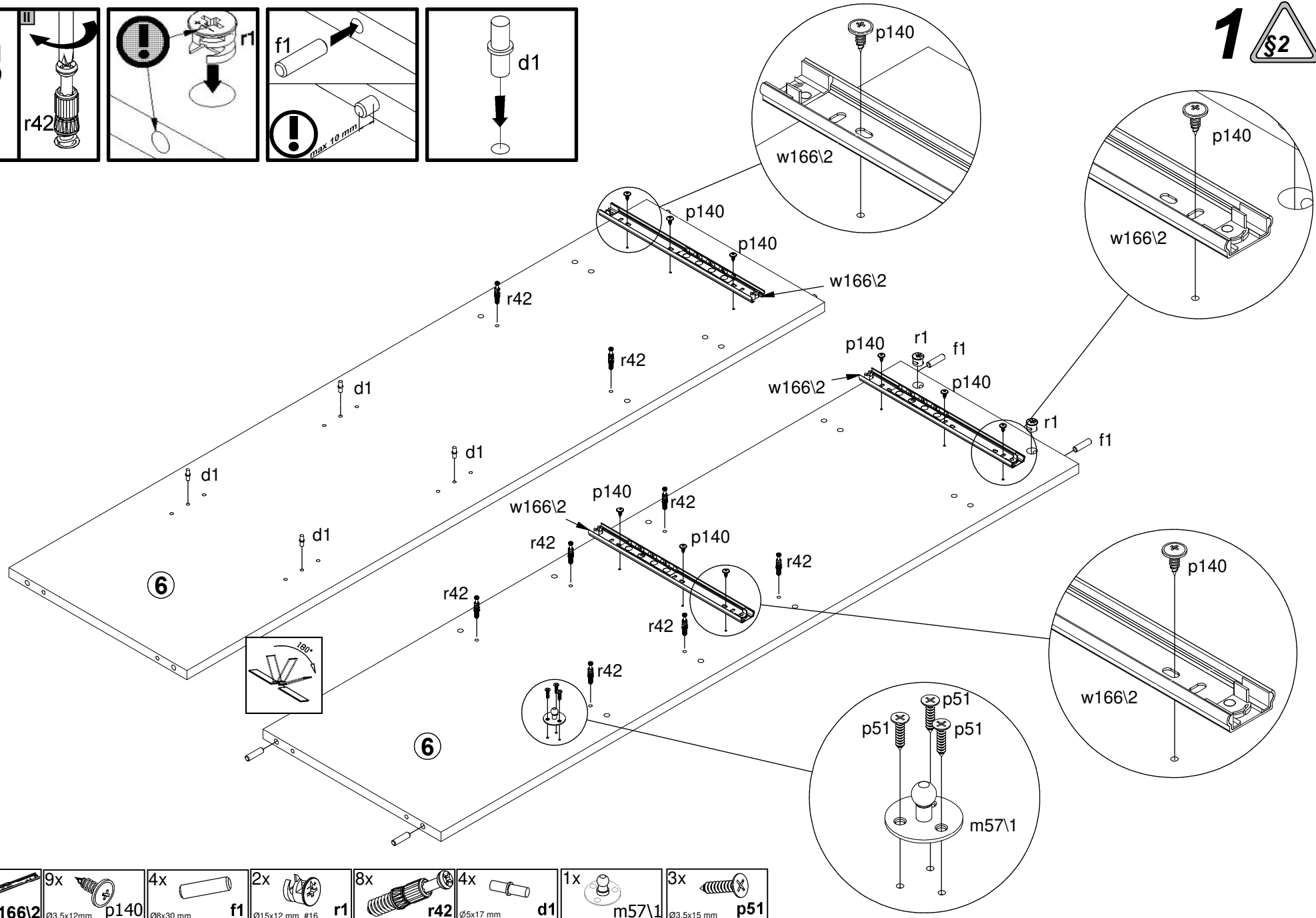
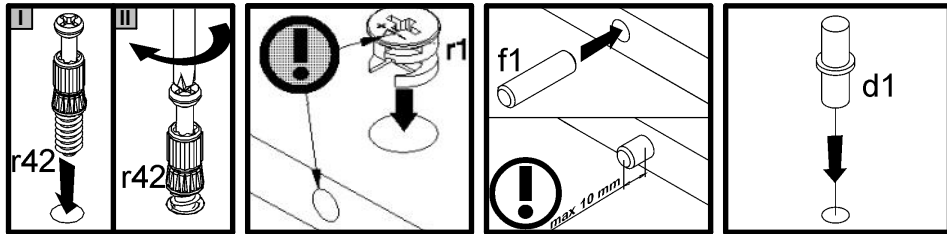






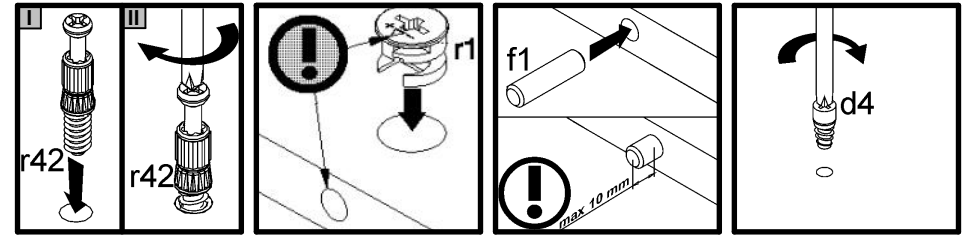
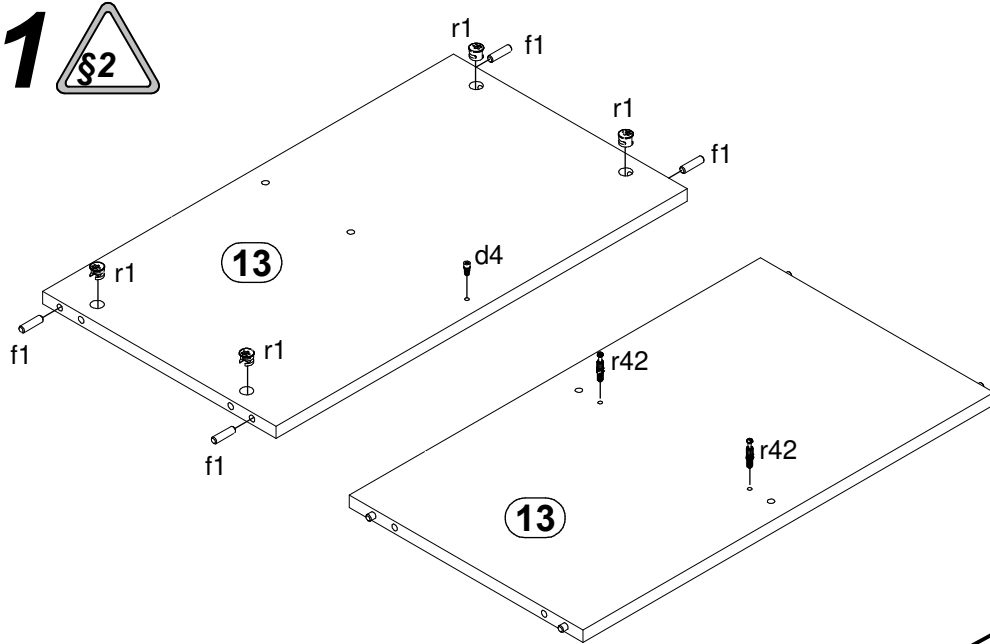
1x	1x	1x	3x	4x	2x	4x	4x
		300 mm	Ø3,5x12mm	Ø8x30 mm	Ø15x12 mm #16		Ø5x17 mm



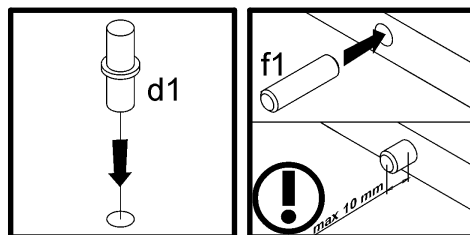
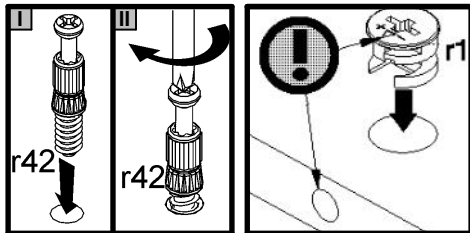
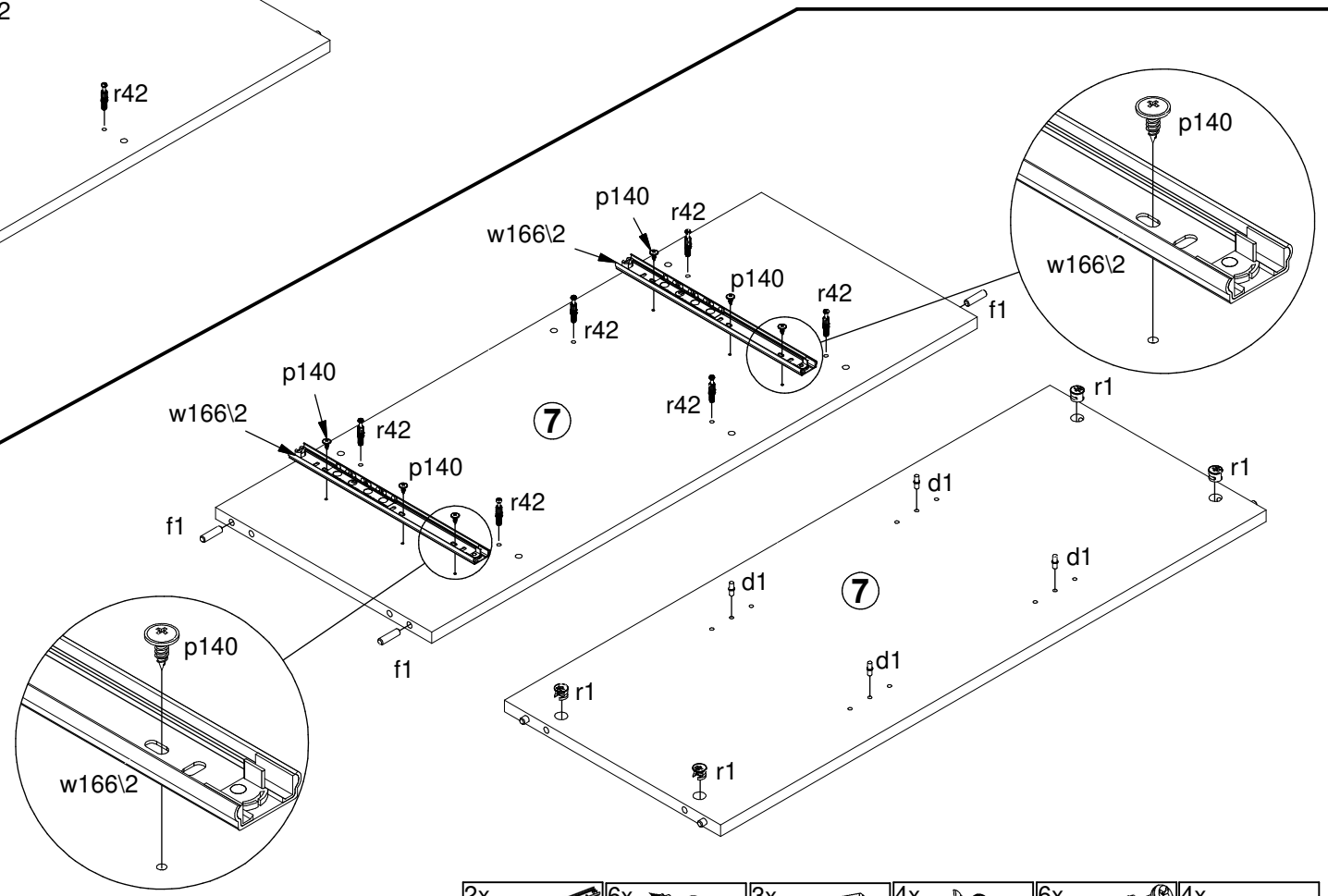


- | | | | | | | | |
|------------------------|-------------------------|----------------------|---------------------------|-----------|----------------------|-------------|-------------------------|
| 3x
300 mm
w166\2 | 9x
Ø3,5x12mm
p140 | 4x
Ø8x30 mm
f1 | 2x
Ø15x12 mm #16
r1 | 8x
r42 | 4x
Ø5x17 mm
d1 | 1x
m57\1 | 3x
Ø3,5x15 mm
p51 |
|------------------------|-------------------------|----------------------|---------------------------|-----------|----------------------|-------------|-------------------------|

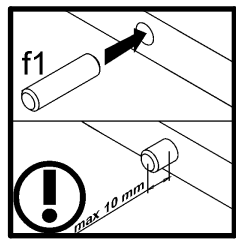
1 §2



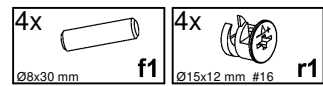
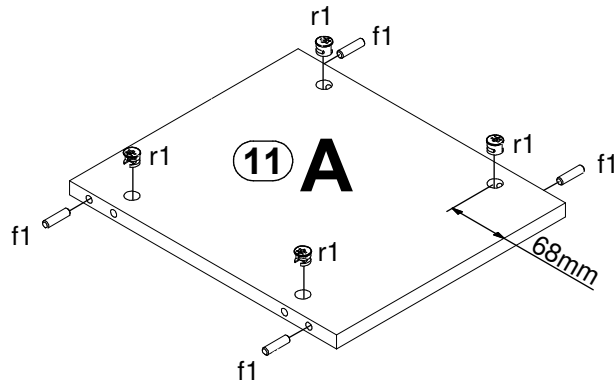
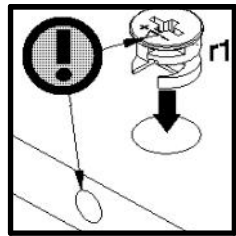
- 1x $\varnothing 6.3 \times 15$ mm d4
- 4x $\varnothing 8 \times 30$ mm f1
- 4x $\varnothing 15 \times 12$ mm #16 r1
- 2x r42



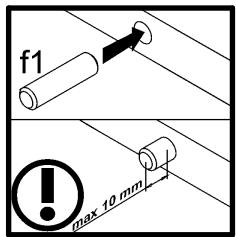
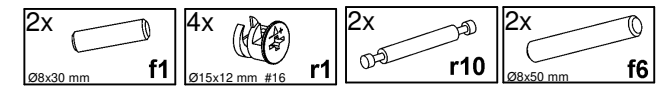
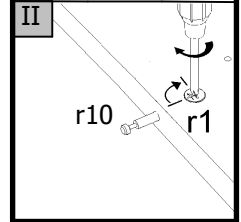
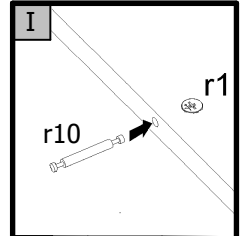
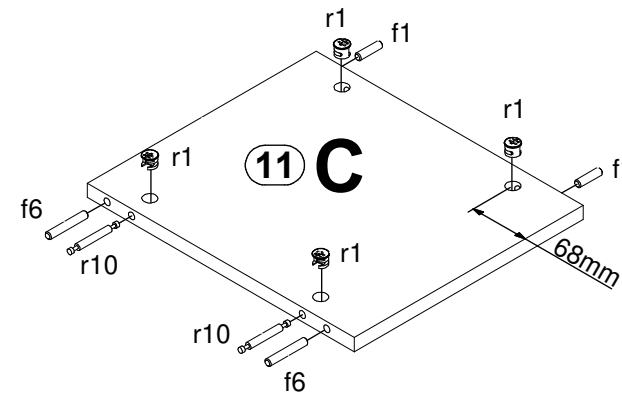
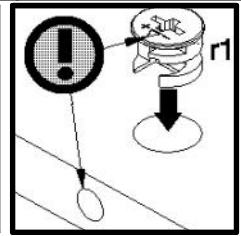
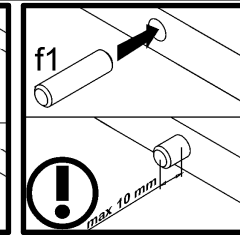
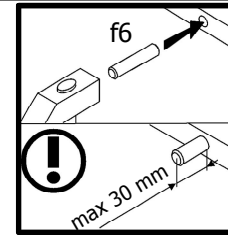
- 2x 300 mm w166\2
- 6x $\varnothing 3.5 \times 12$ mm p140
- 3x $\varnothing 8 \times 30$ mm f1
- 4x $\varnothing 15 \times 12$ mm #16 r1
- 6x r42
- 4x $\varnothing 5 \times 17$ mm d1



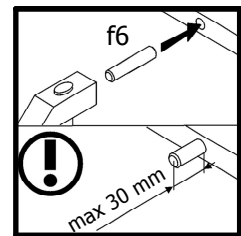
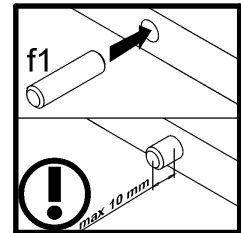
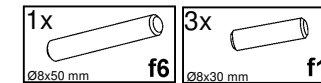
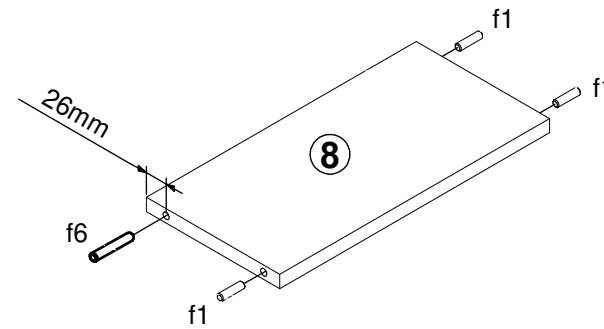
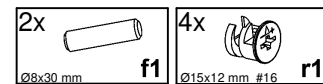
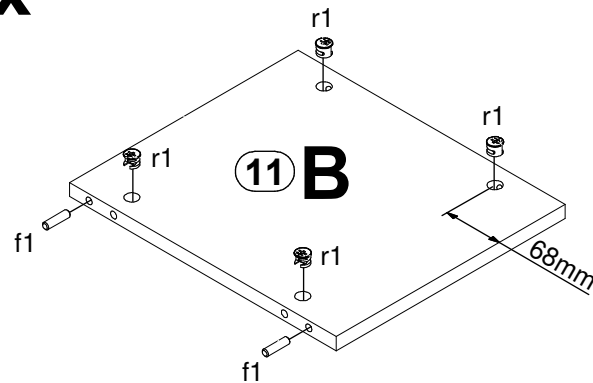
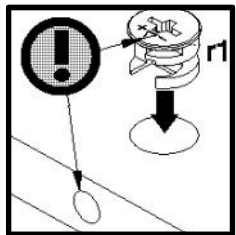
3x

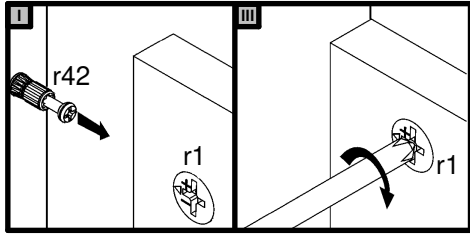


1x



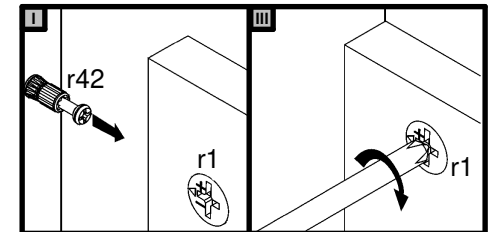
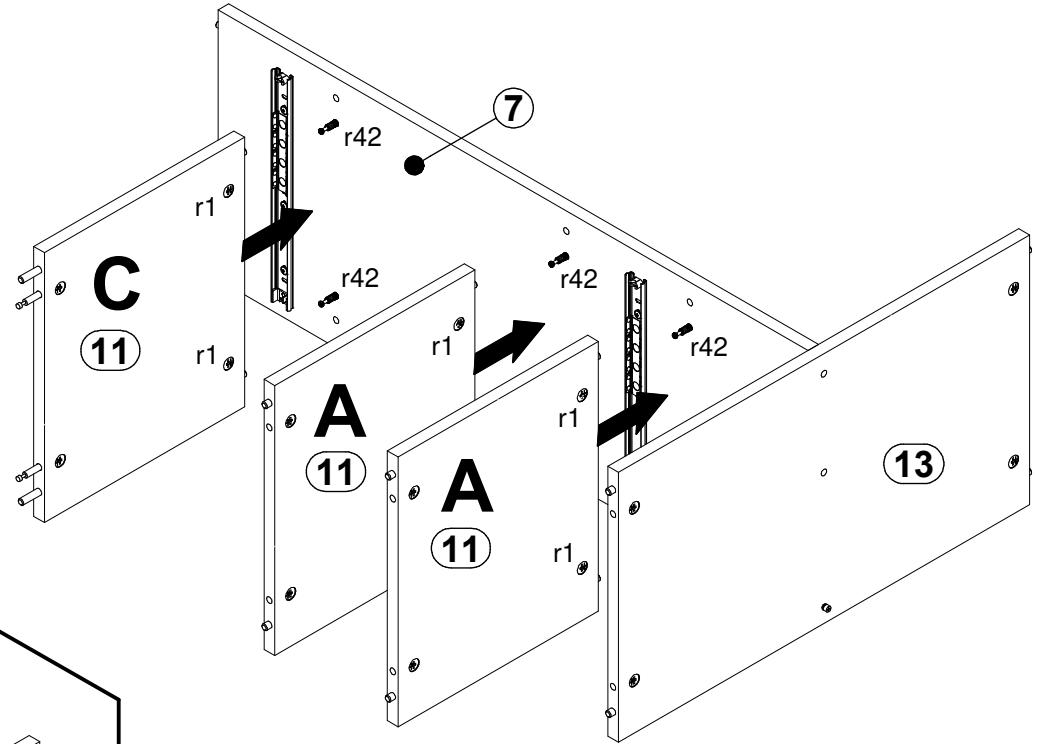
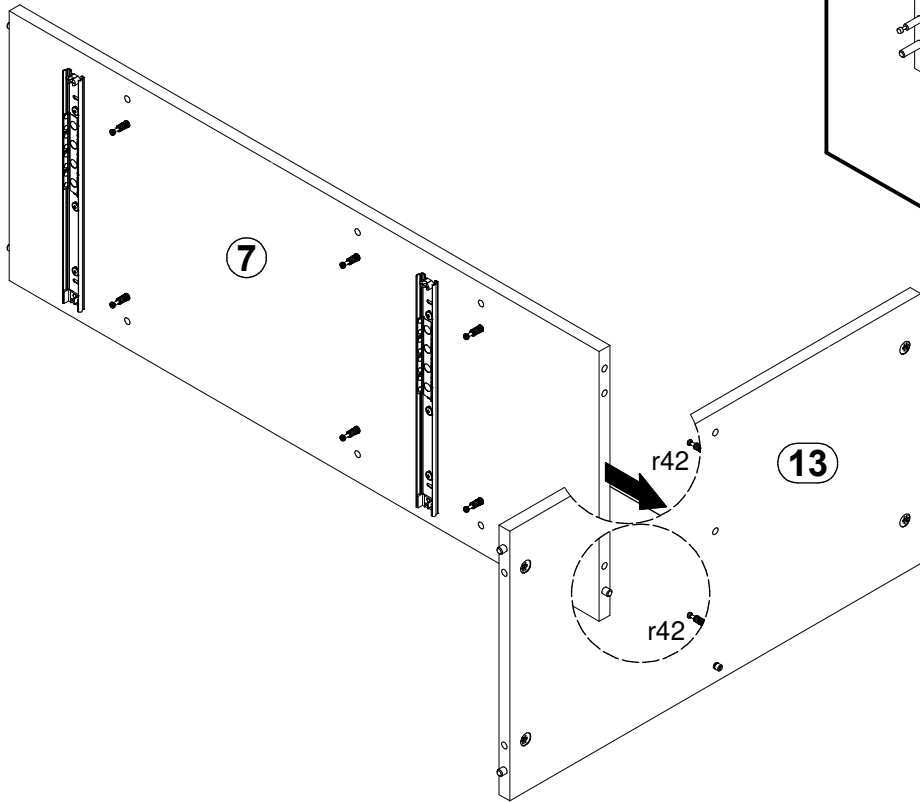
1x

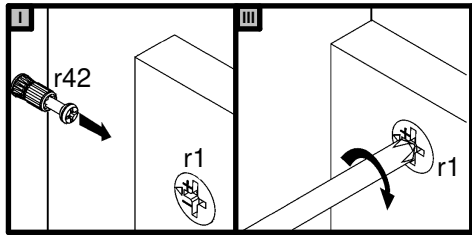




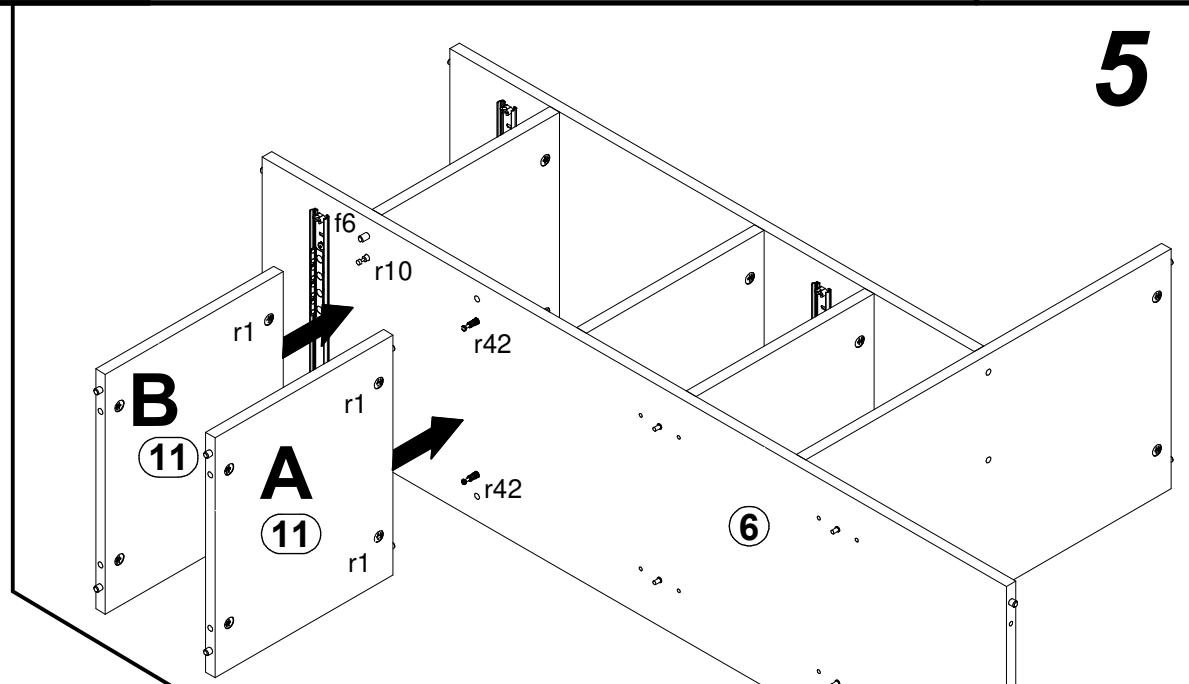
2

3

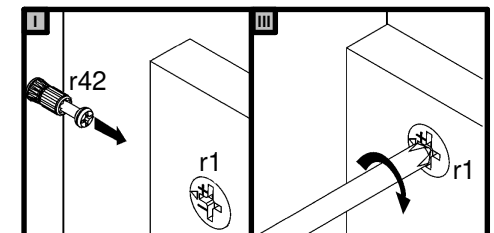
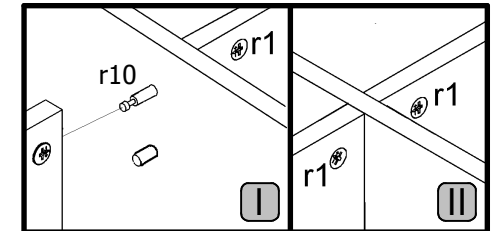
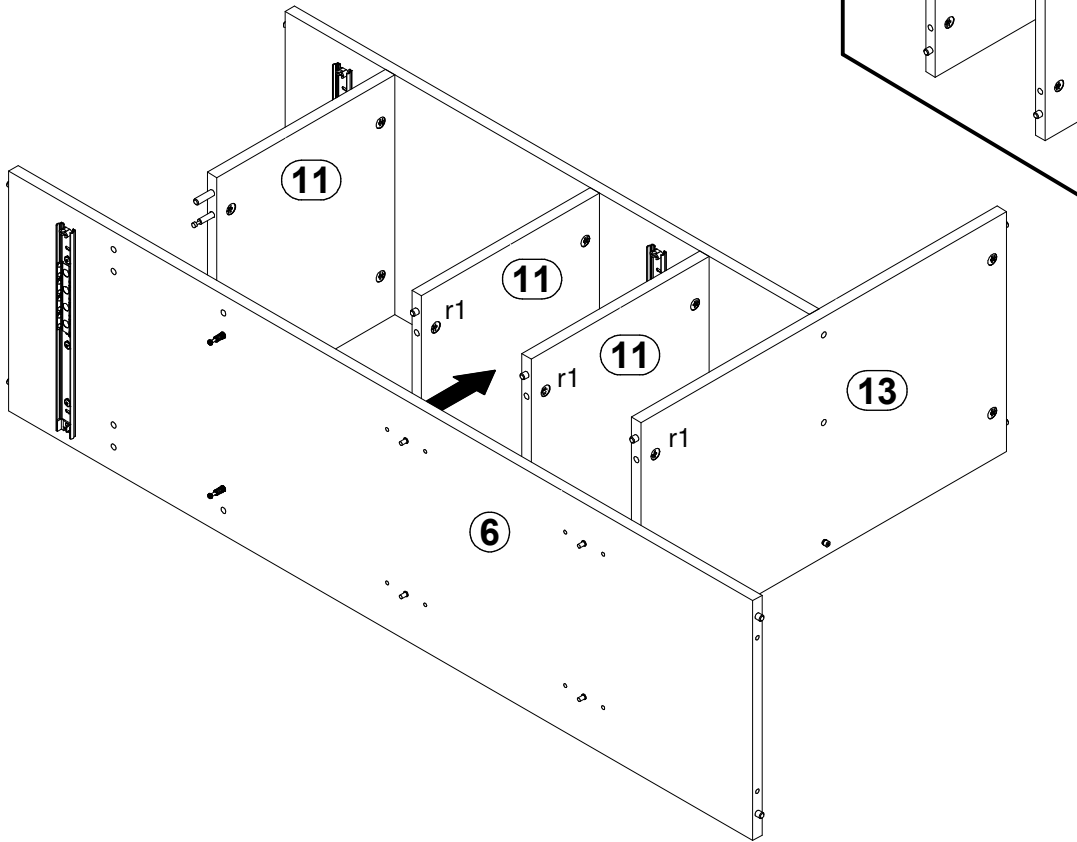




4

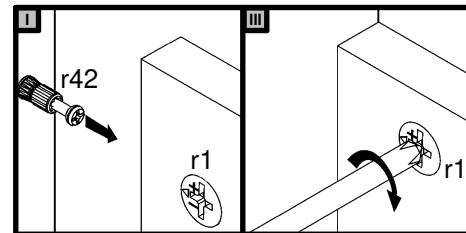
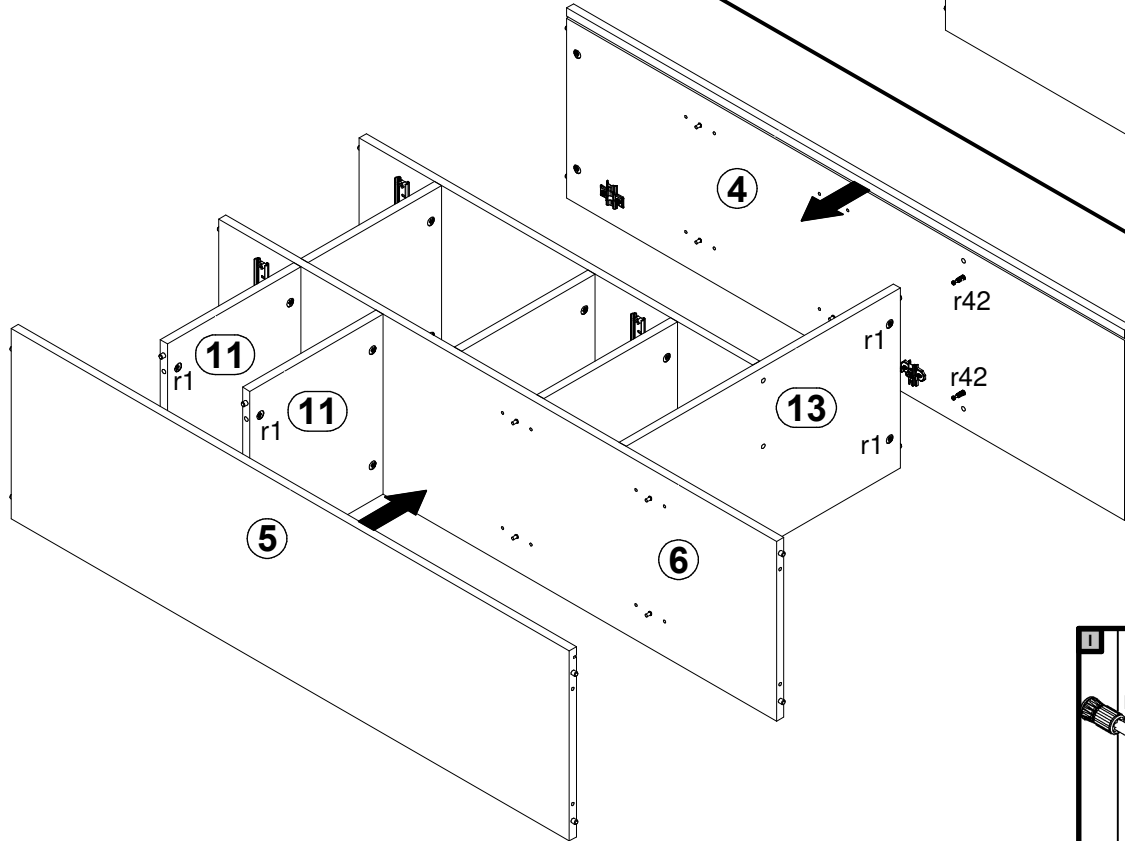
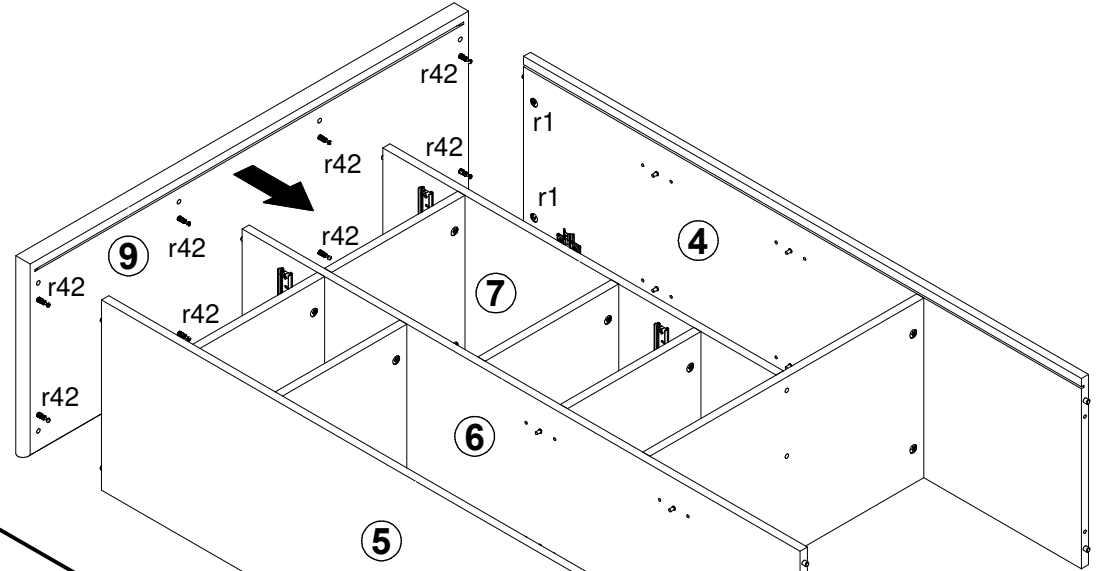
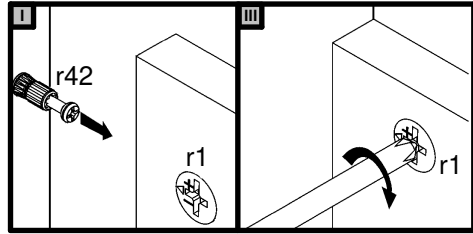


5

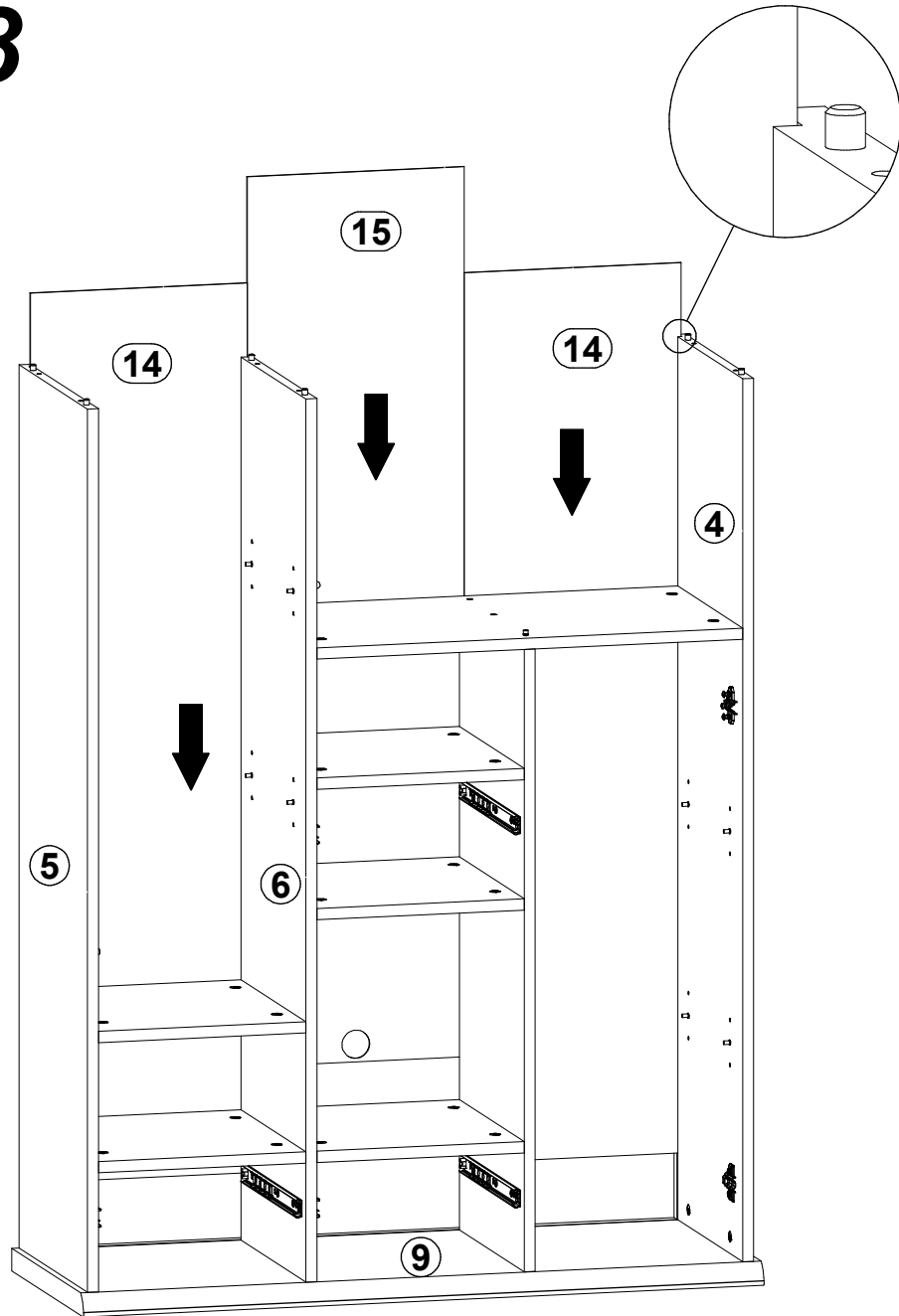


6

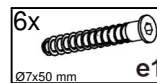
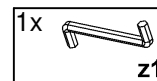
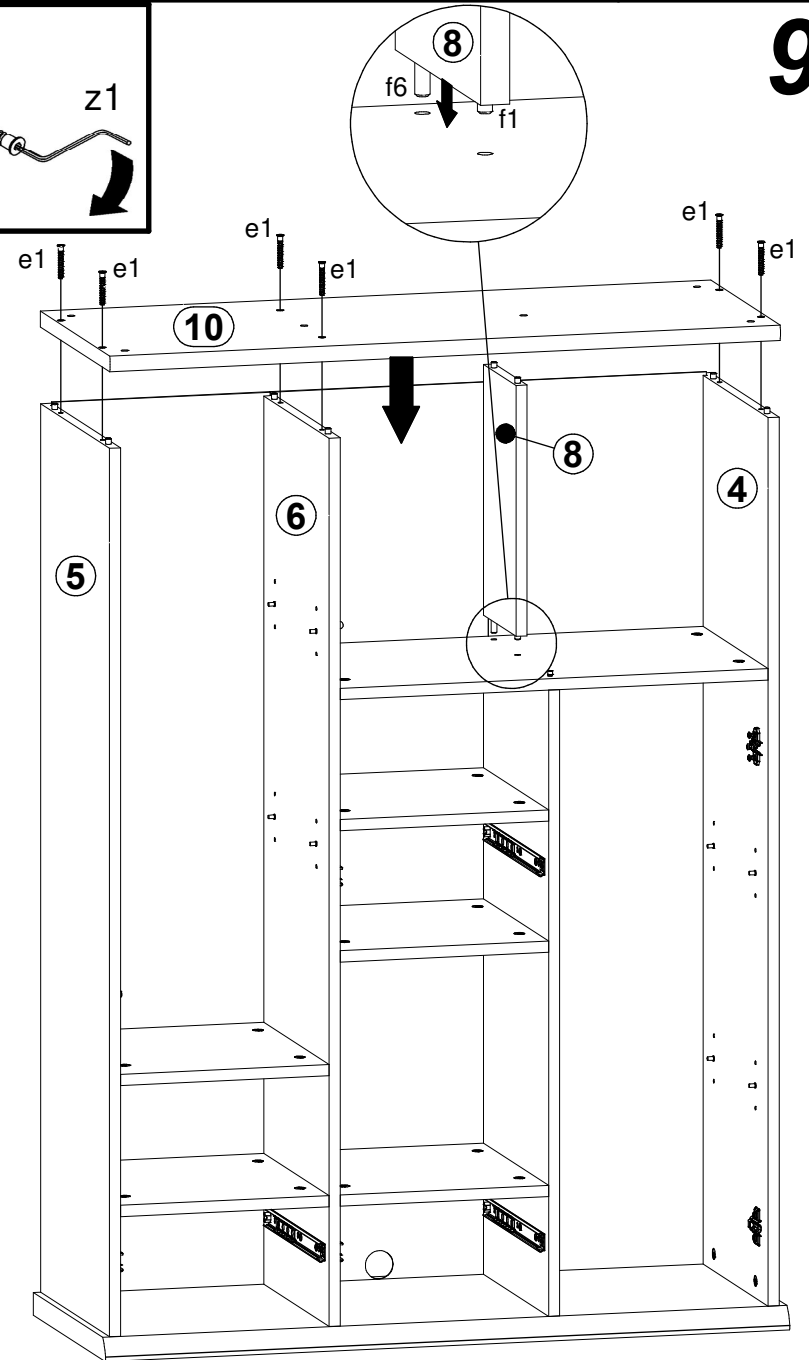
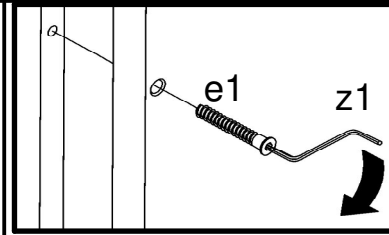
7

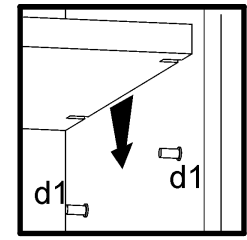
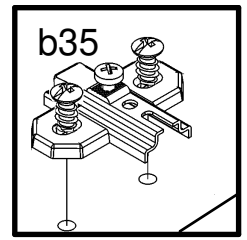
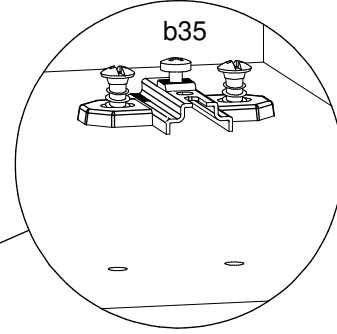
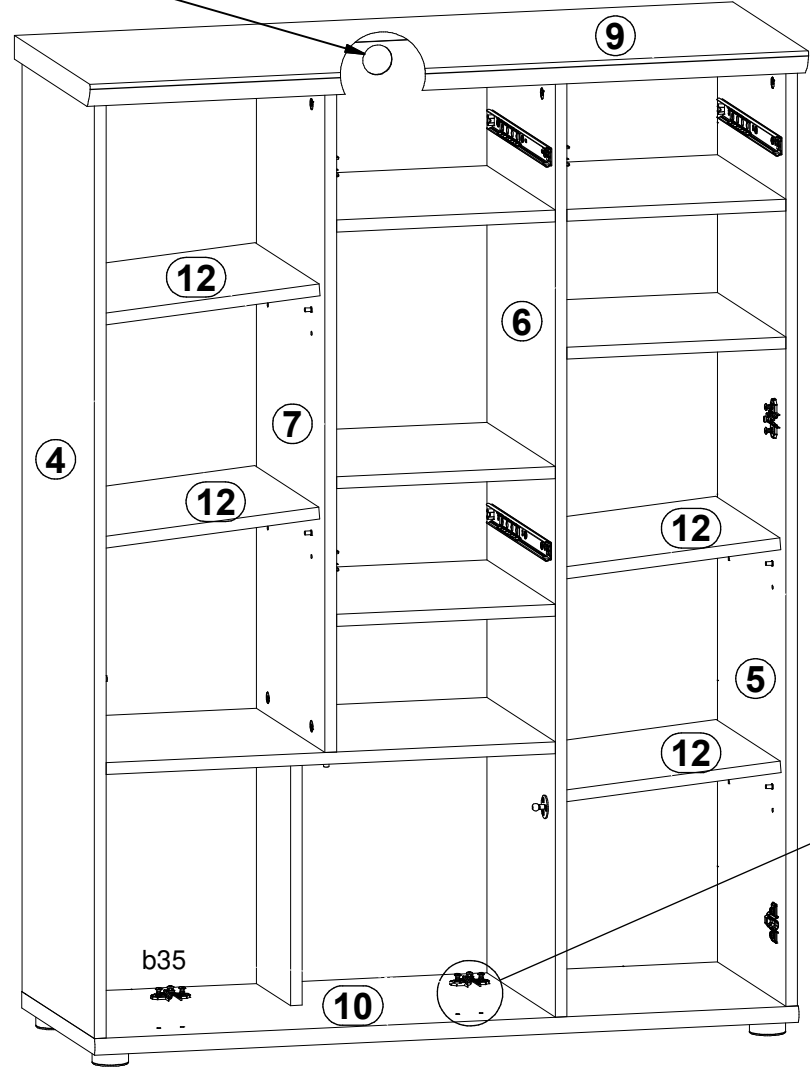
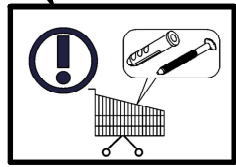
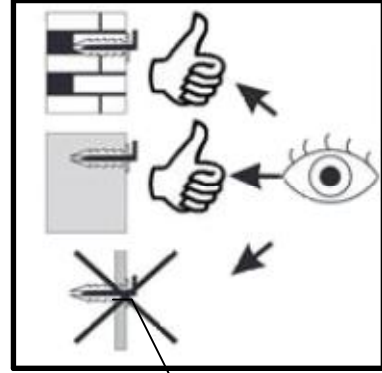
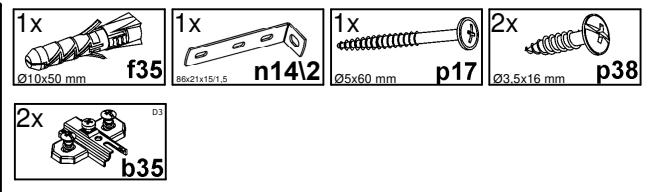
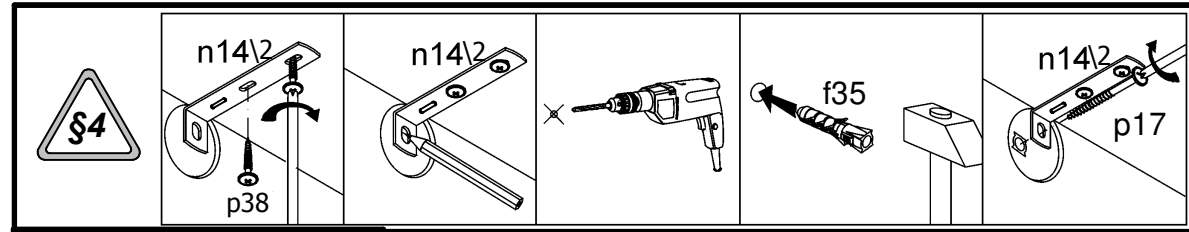


8



9

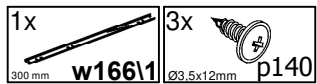
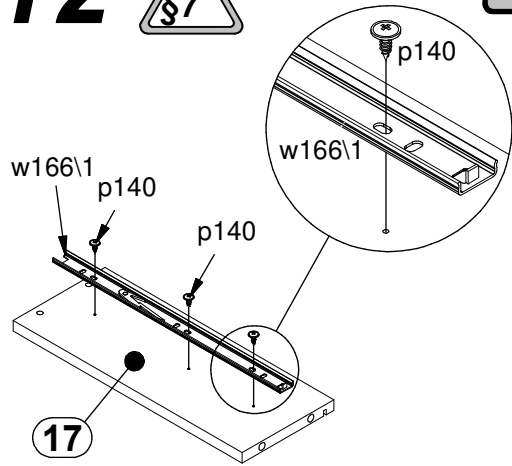




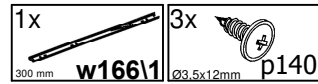
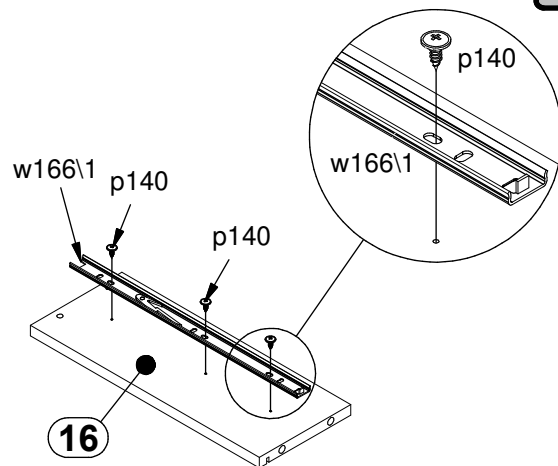
12



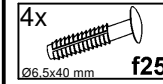
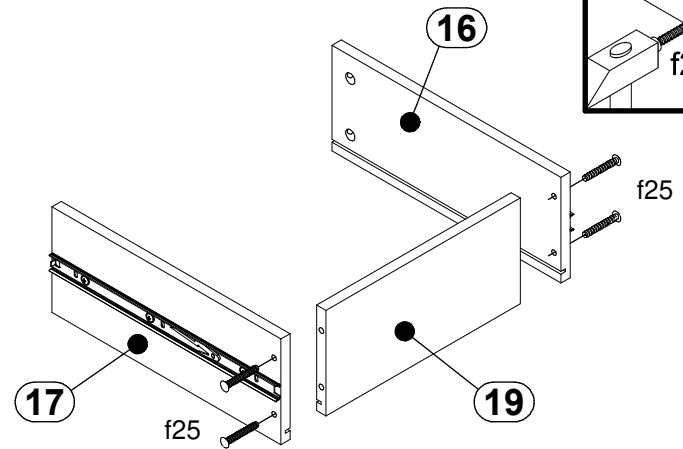
I



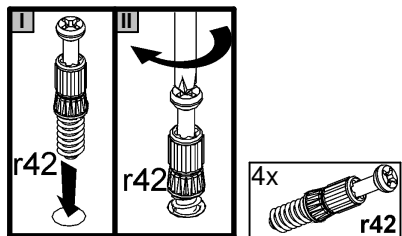
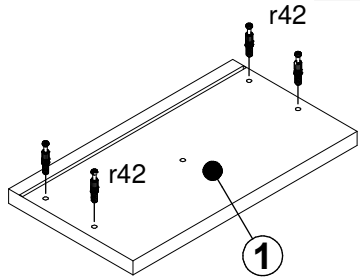
II



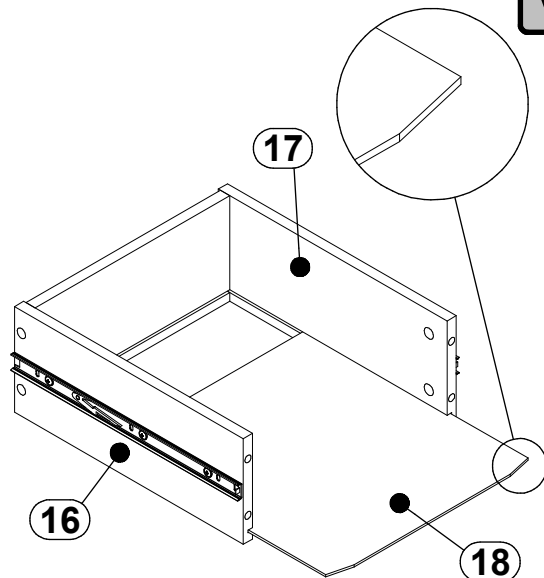
III



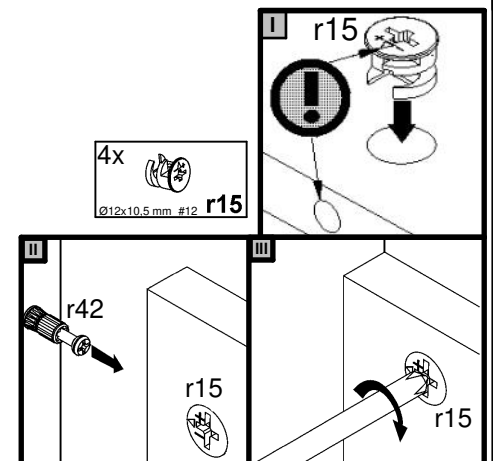
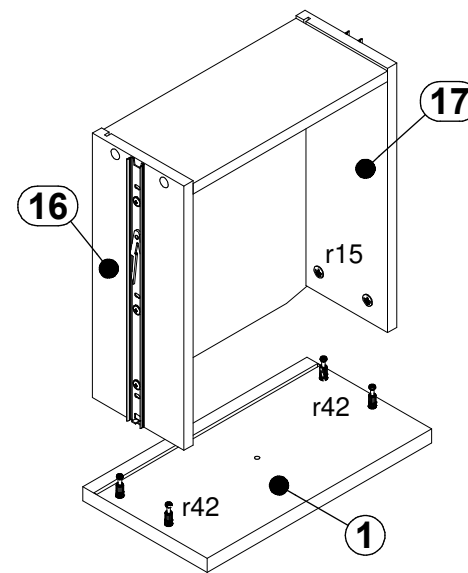
IV



V



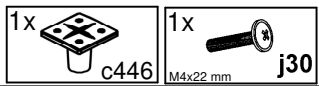
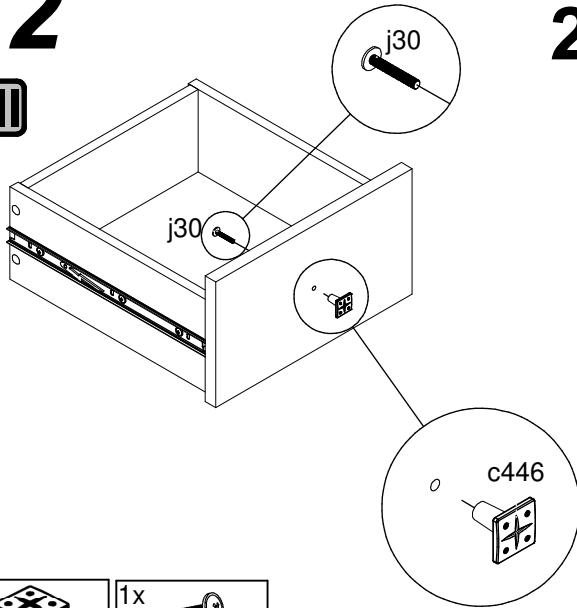
VI



12

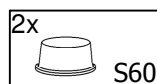
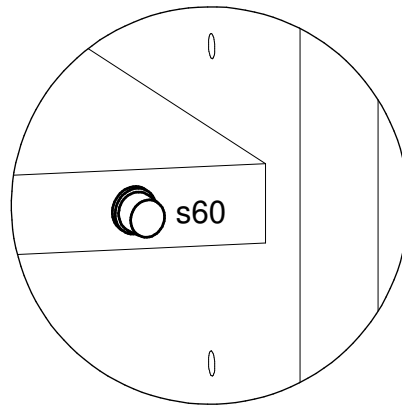
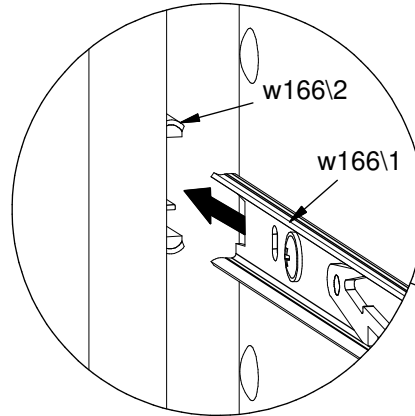
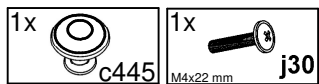
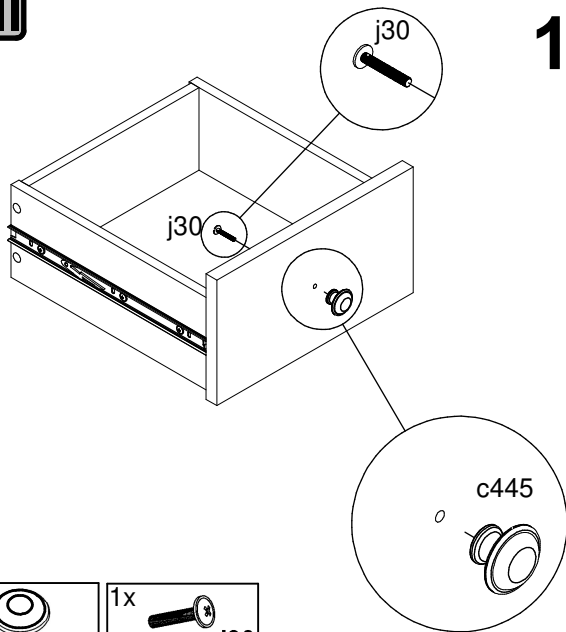
VII

2x

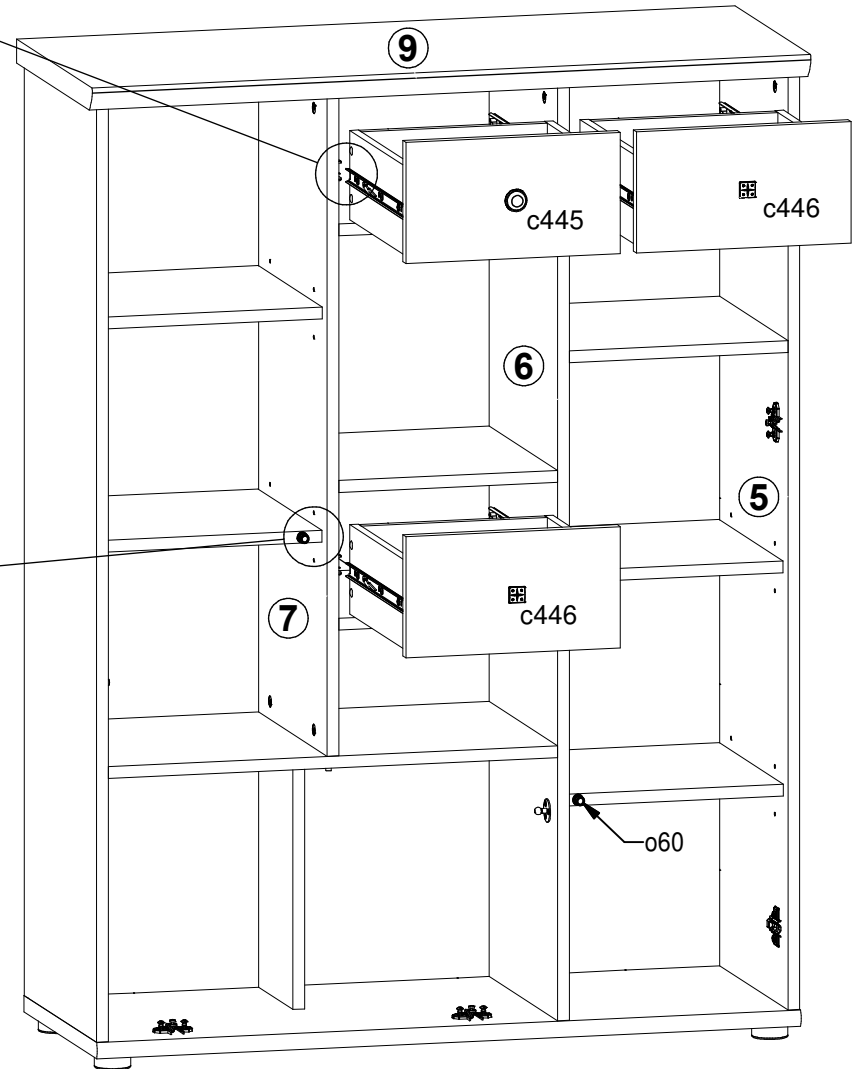


VII

1x

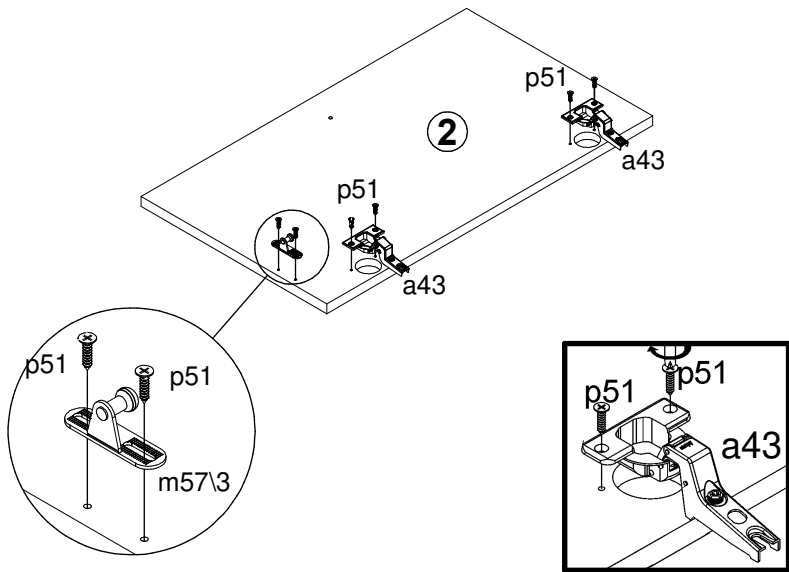


13

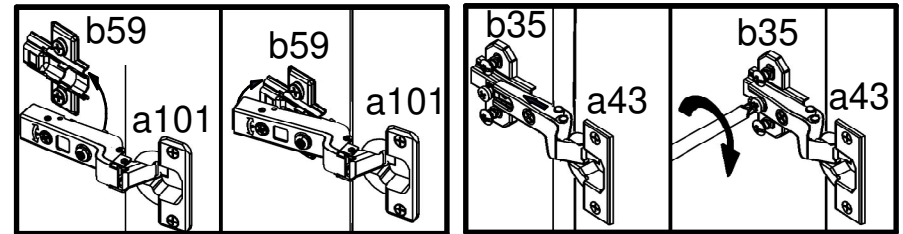


- 6x p51
- 2x a43
- 1x m57/3

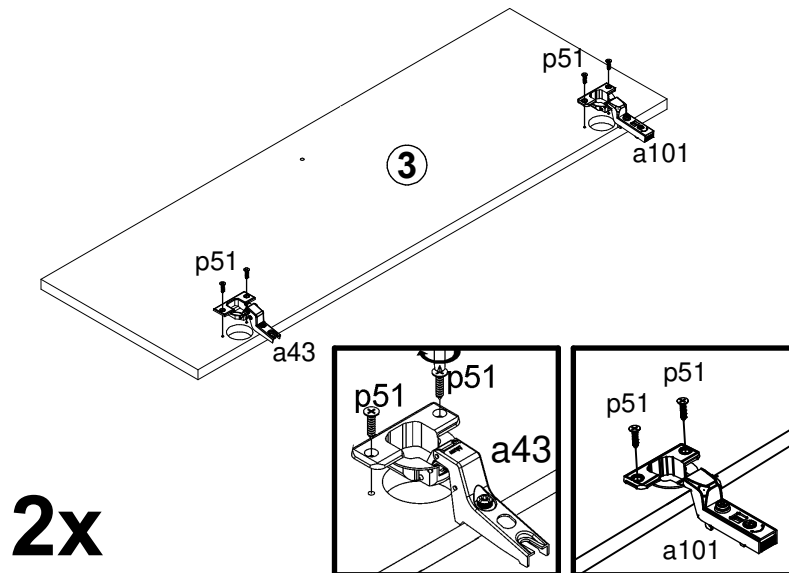
14



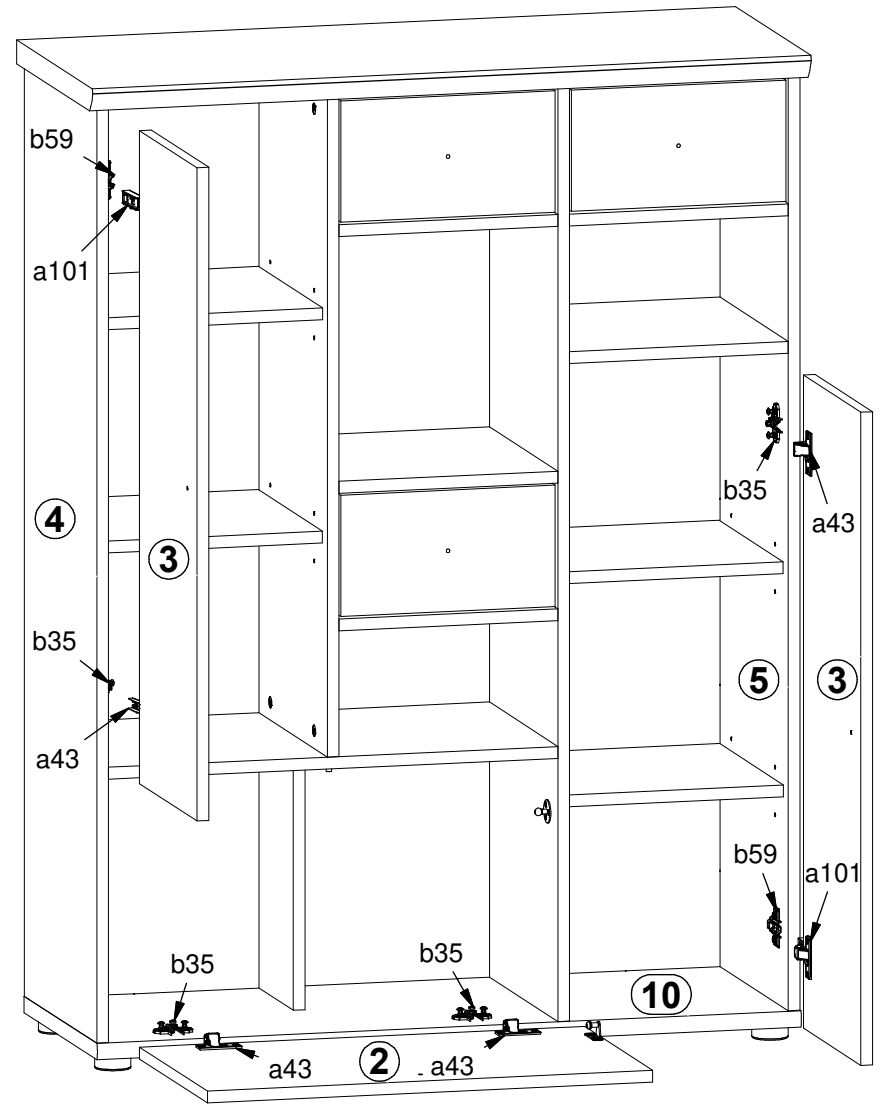
15



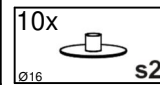
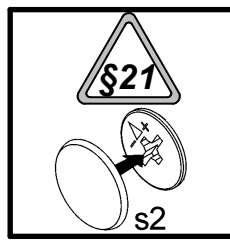
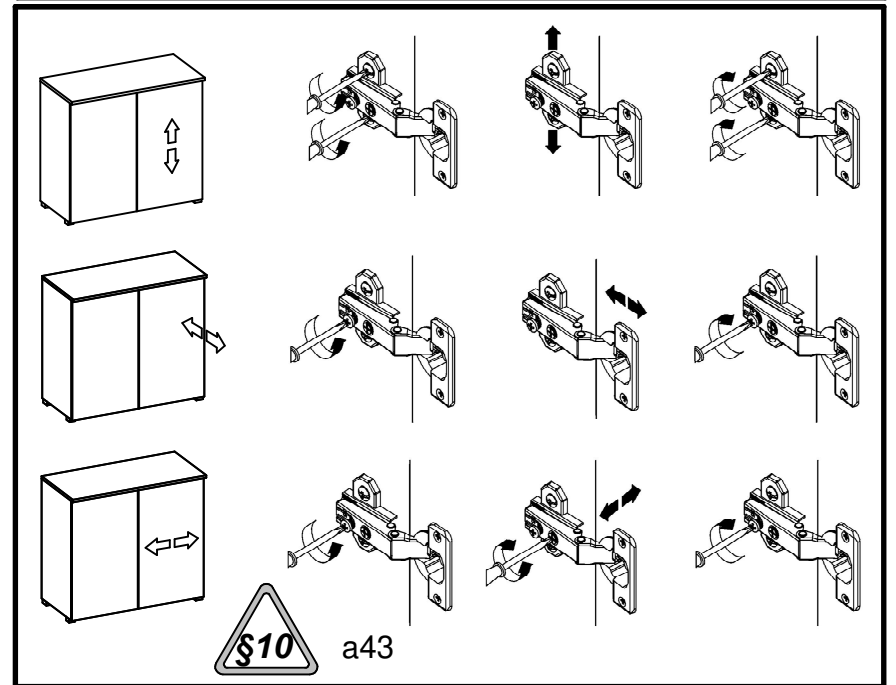
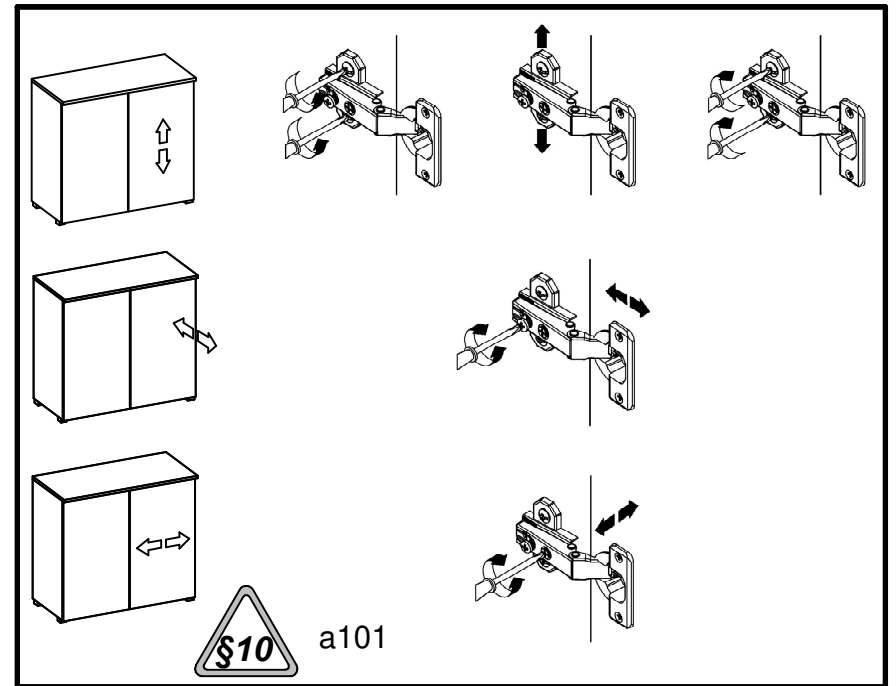
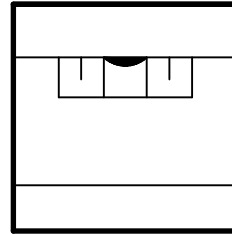
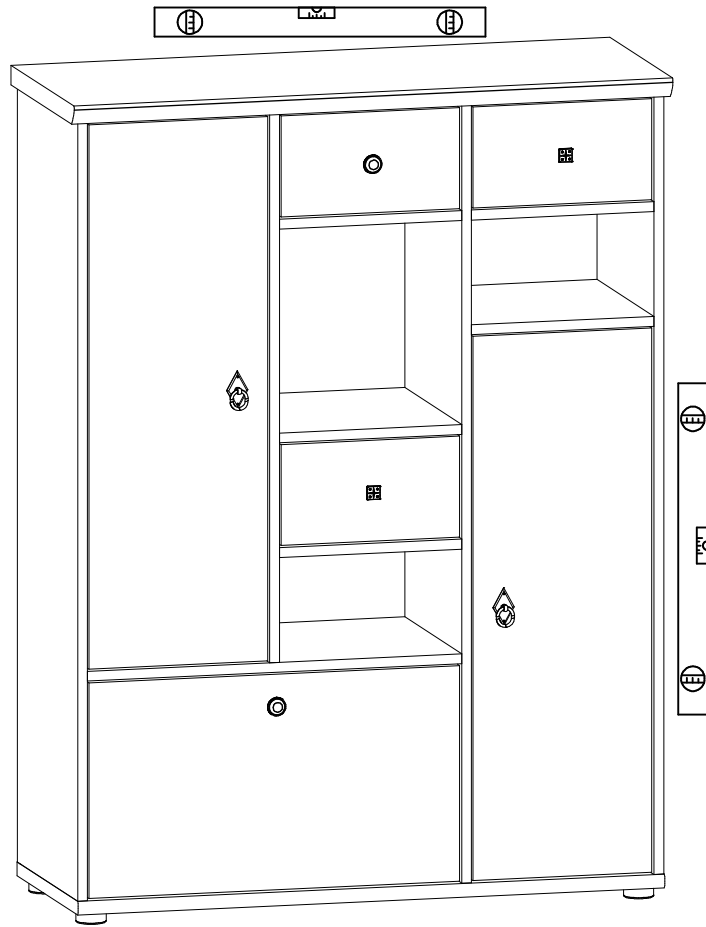
- 1x a43
- 1x a101
- 4x p51

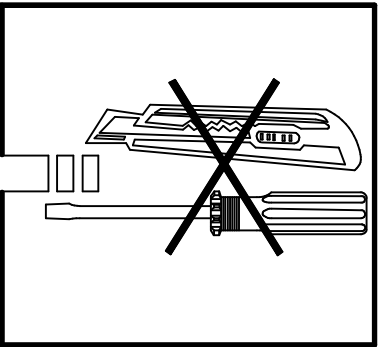
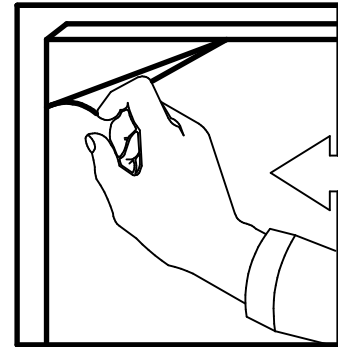
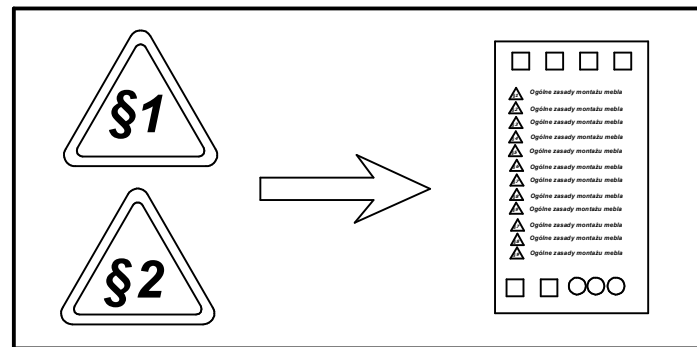
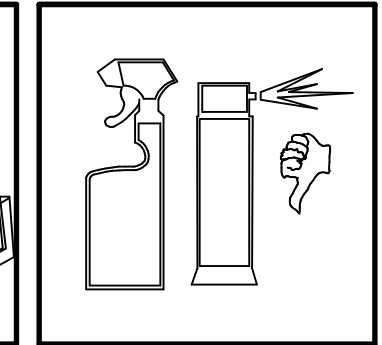
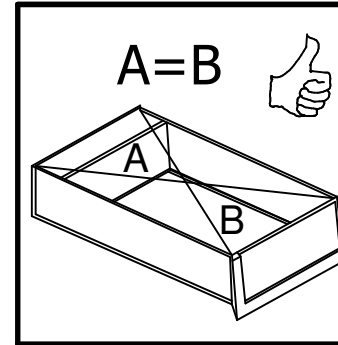
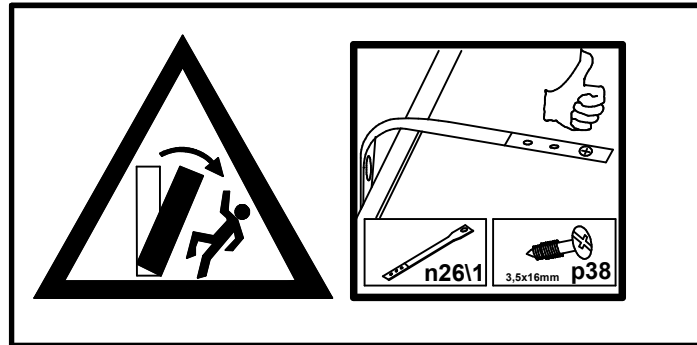
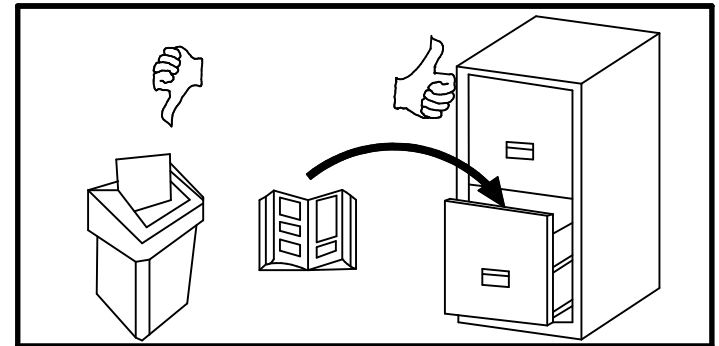
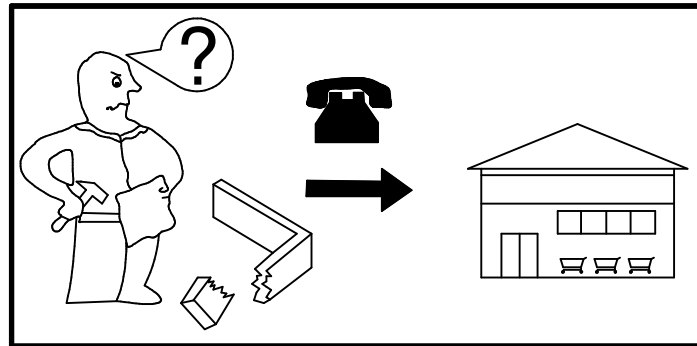
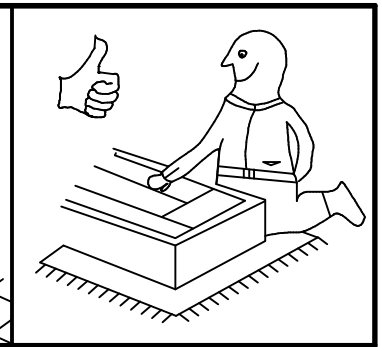
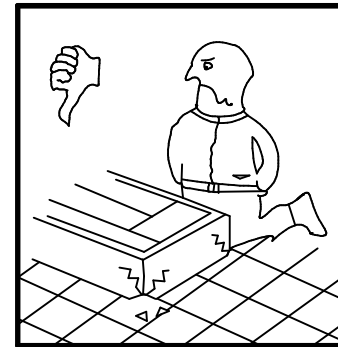
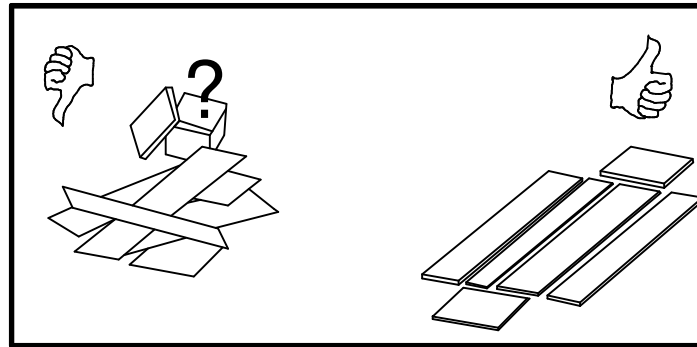
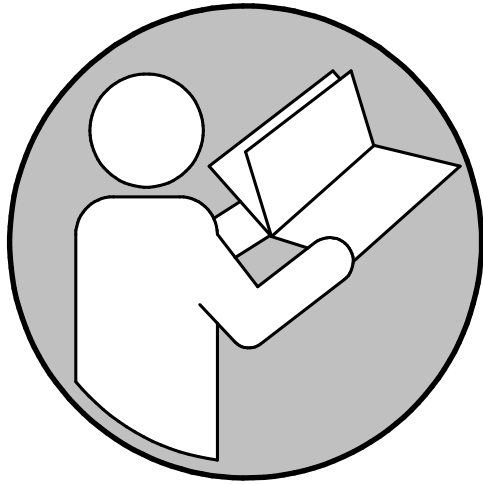


2x



17



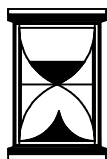
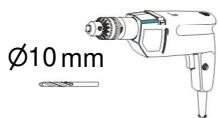
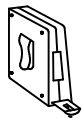
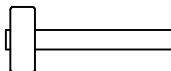
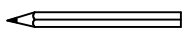
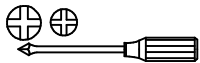
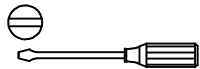
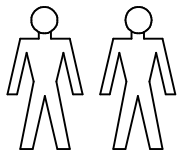


A

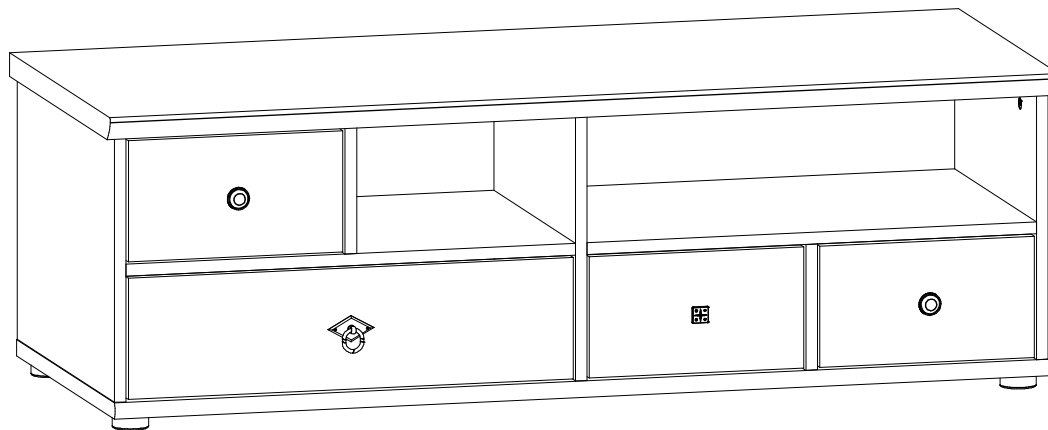
S248-RTV4S/4/13

10D0--30

2 / 14



90min

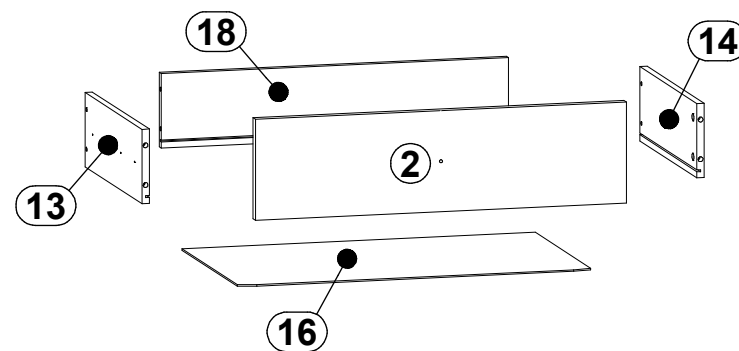
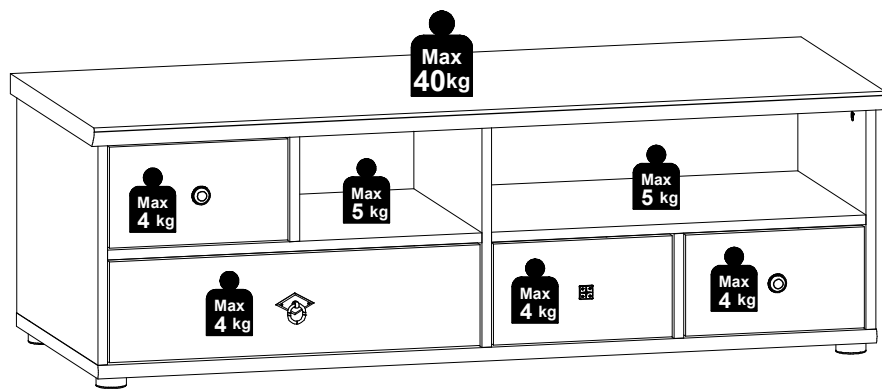
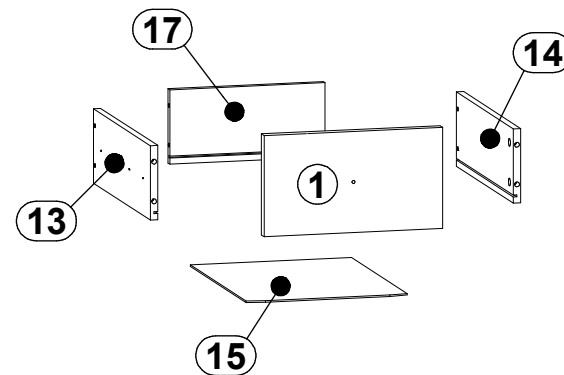
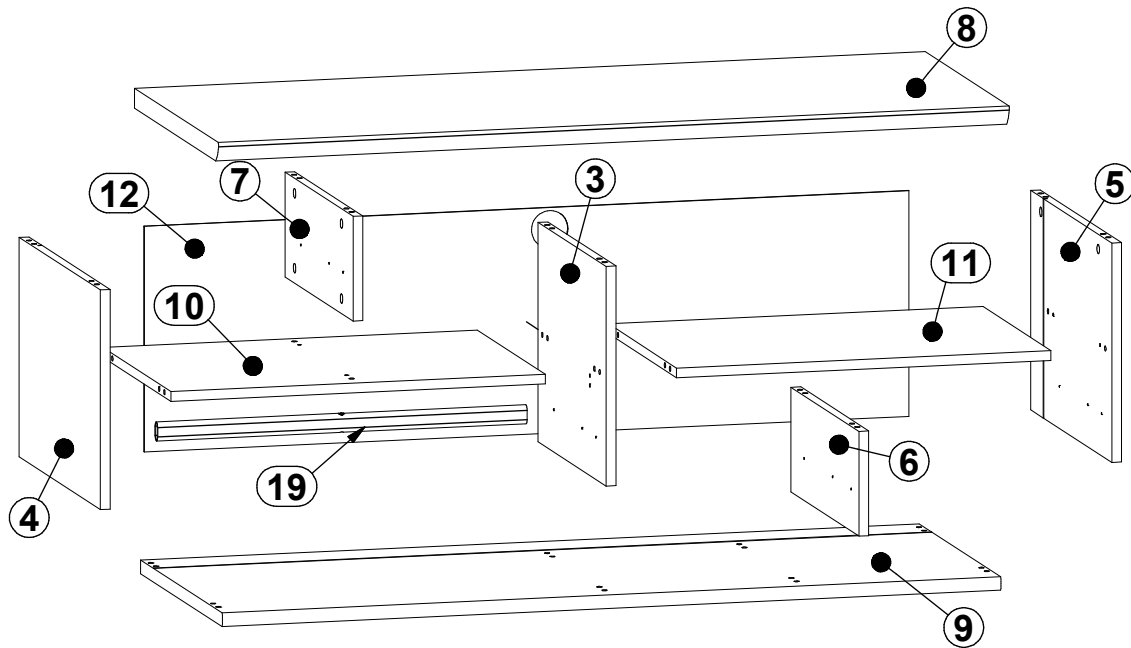


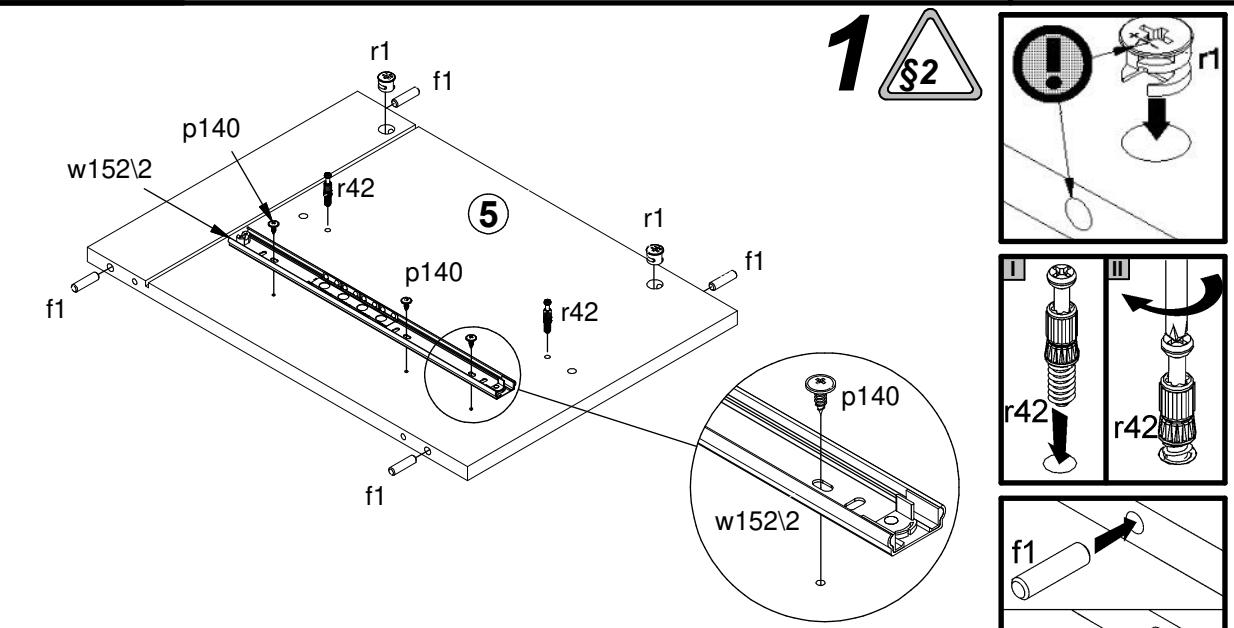
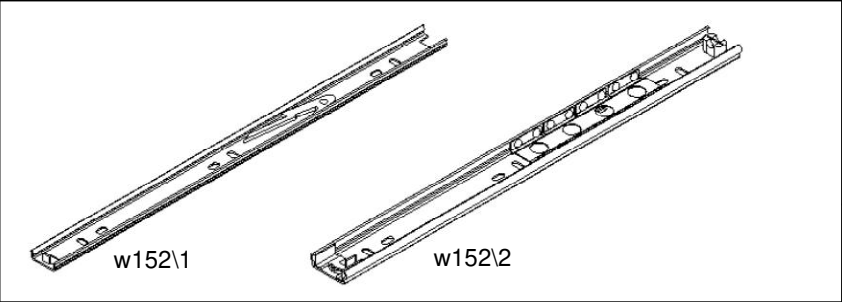
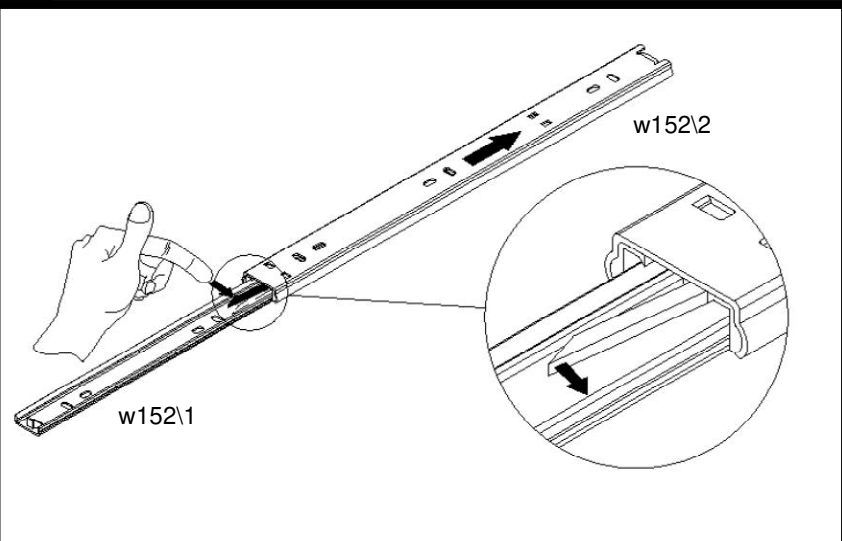
A	B	C (mm)		D
1	S248-0009	163	294	1/2
2	S248-0016	163	610	1/2
3	S248-1042	354	418	1/2
4	S248-1043	354	498	1/2
5	S248-1044	354	498	1/2
6	S248-1045	169	418	1/2
7	S248-1046	169	418	1/2
8	S248-2014	1301	516	2/2
9	S248-2015	1281	503	2/2
10	S248-3025	616	418	1/2
11	S248-3026	616	418	1/2
12	S248-9009	1258	364	2/2
13	WSK3-505	350	120	1/2
14	WSK3-506	350	120	1/2
15	WSP-9095	265	348	1/2
16	WSP-9096	581	348	1/2
17	WTR-5026	255	120	1/2
18	WTR-5027	571	120	1/2
19	wp-608	608	30	1/2



2x c445	1x c446	1x c447	4x Ø5x17 mm d1	2x d19	8x Ø7x50 mm e1	24x Ø8x30 mm f1	2x Ø8x50 mm f6	16x Ø6,5x40 mm f25	4x M4x22 mm j30	5x k27	14x l1	10x l2
2x Ø3,5x16 mm p25	48x Ø3,5x12mm p140	20x Ø15x12 mm #16 r1	2x r10	16x Ø12x10,5 mm #12 r15	32x r42	4x Ø16 s2	1x 333 mm t19	8x 350mm w152\1	8x 350mm w152\2	1x z1		

1x Ø10x50 mm f35	1x 88x21x151,5 n14\2	1x Ø5x60 mm p17	2x Ø3,5x16 mm p38
----------------------------	--------------------------------	---------------------------	-----------------------------





- 1x

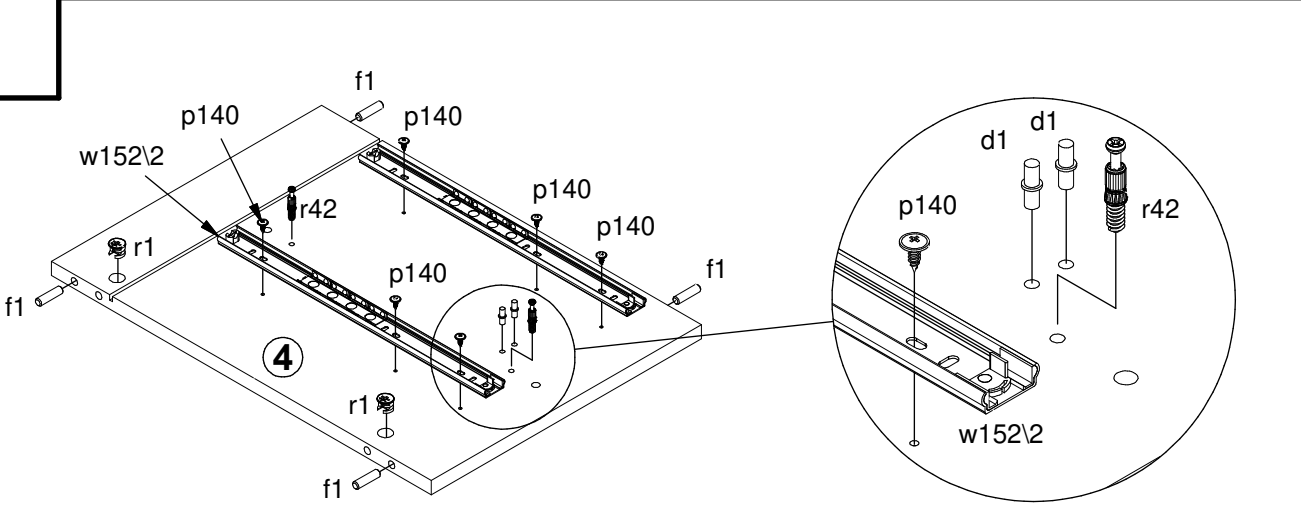
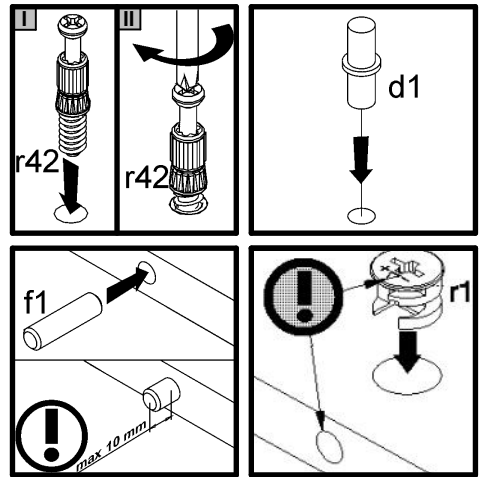
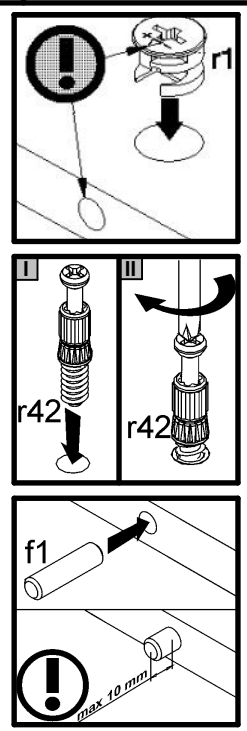
350mm **w152\2**
- 3x

Ø3.5x12mm **p140**
- 4x

Ø8x30 mm **f1**
- 2x

Ø15x12 mm #16 **r1**
- 2x

r42



- 2x

Ø5x17 mm **d1**
- 2x

350mm **w152\2**
- 6x

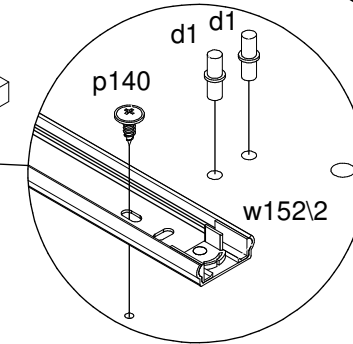
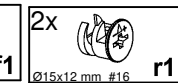
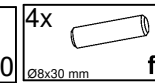
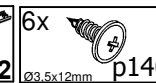
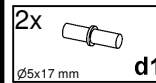
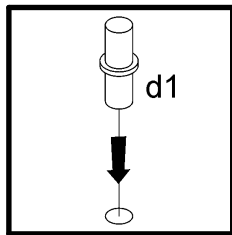
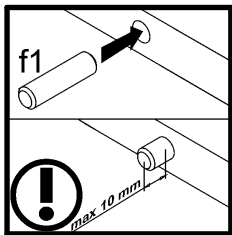
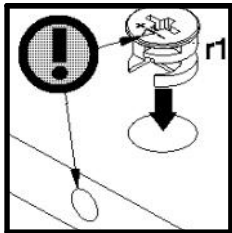
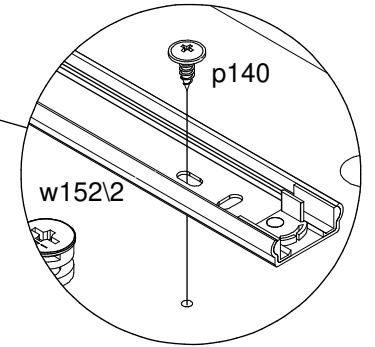
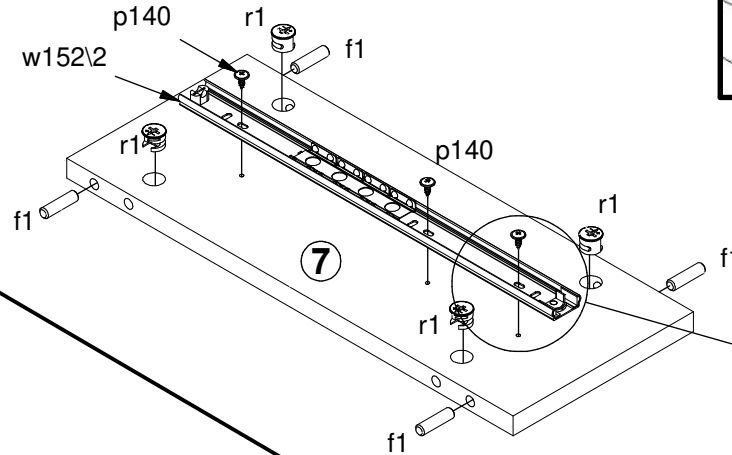
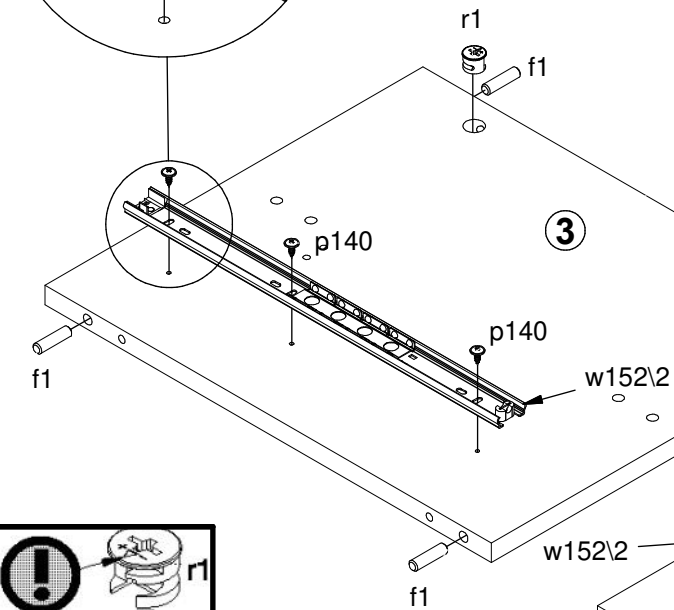
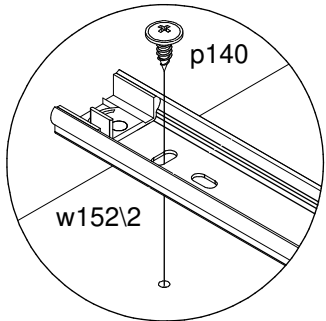
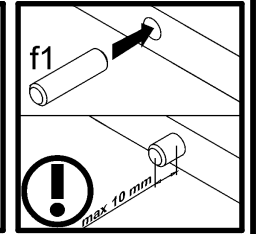
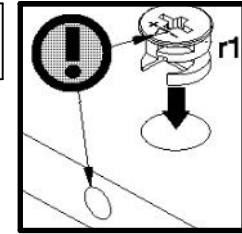
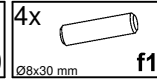
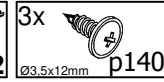
Ø3.5x12mm **p140**
- 4x

Ø8x30 mm **f1**
- 2x

Ø15x12 mm #16 **r1**
- 2x

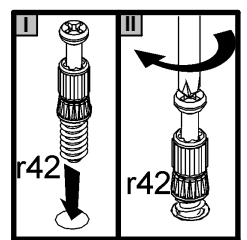
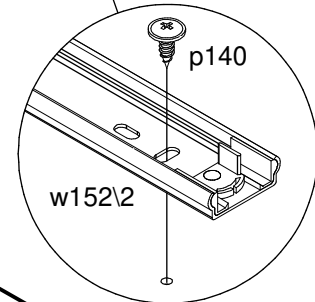
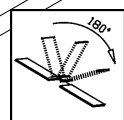
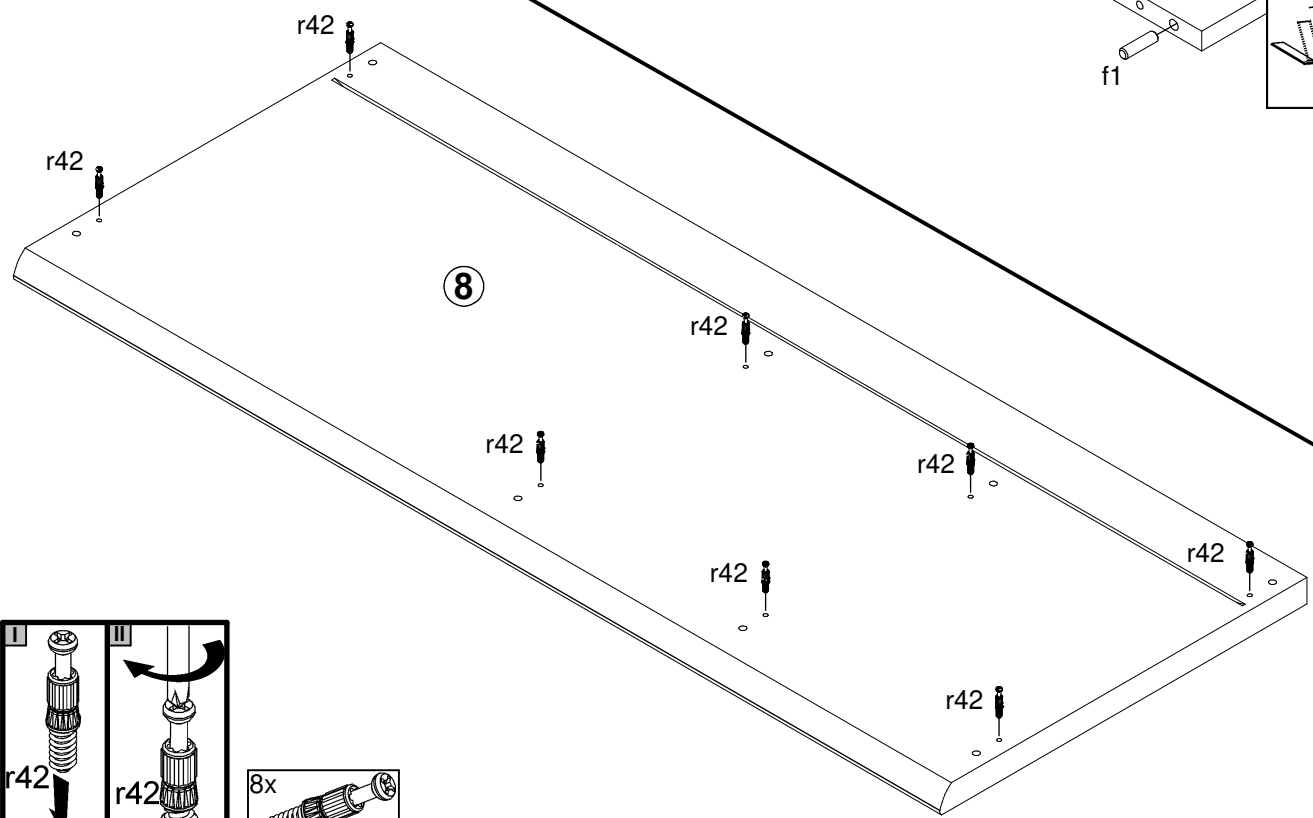
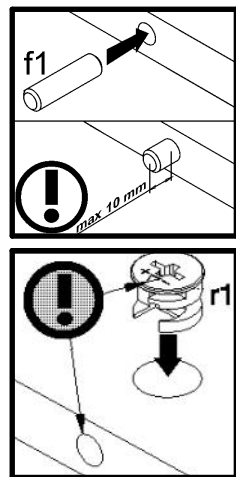
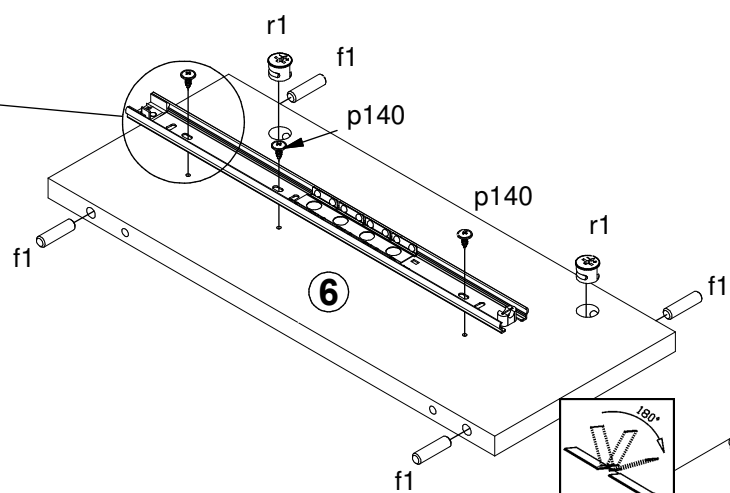
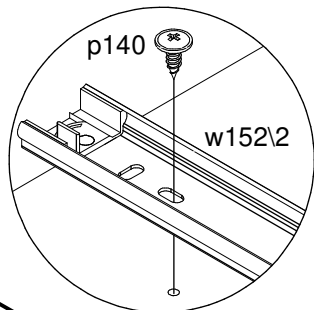
r42

1



1

- 2x w152\2
- 6x p140
- 4x f1
- 2x r1



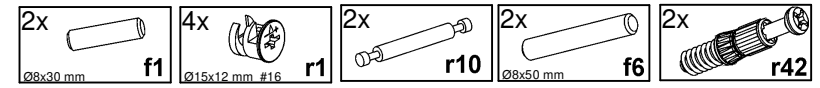
- 8x r42

A

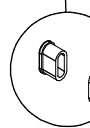
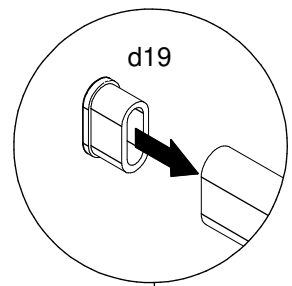
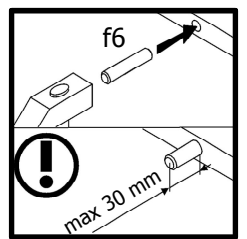
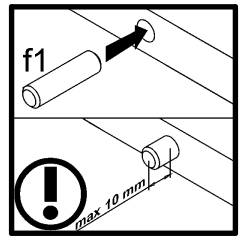
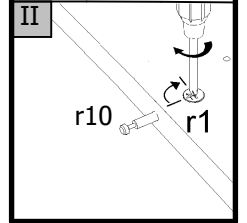
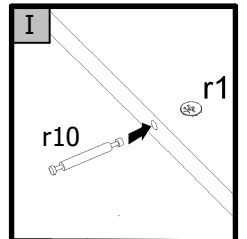
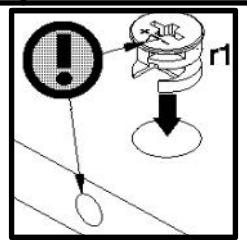
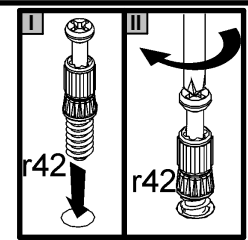
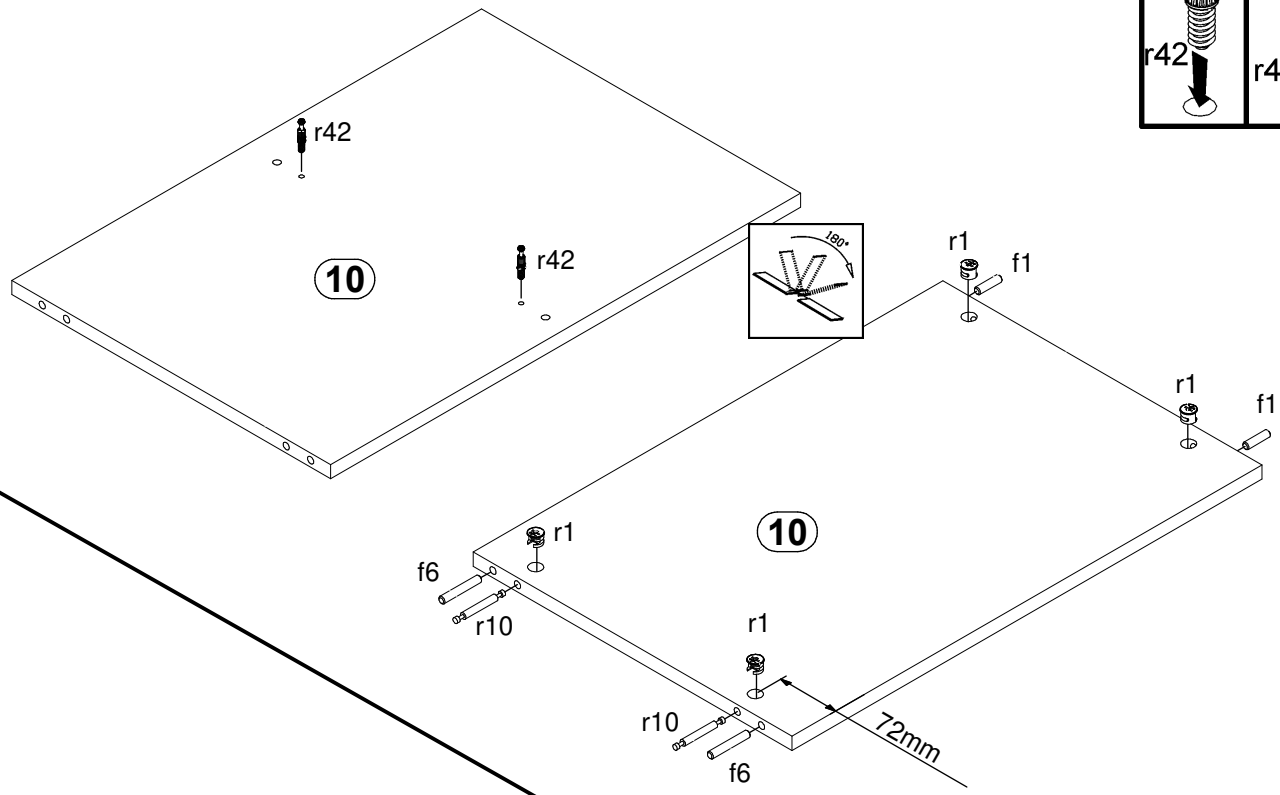
S248-RTV4S/4/13

10D0--30

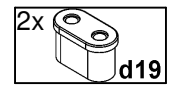
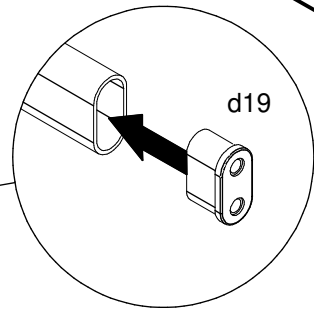
7 / 14

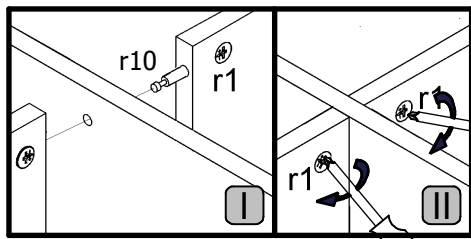


1

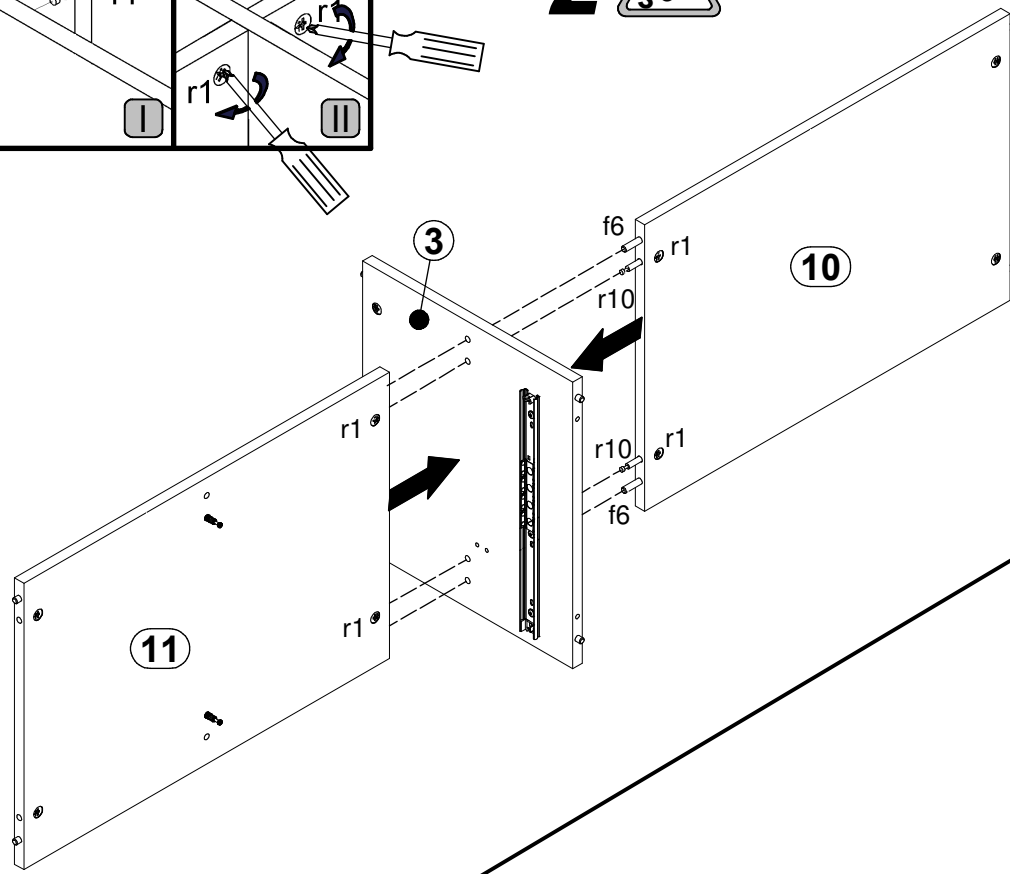


19

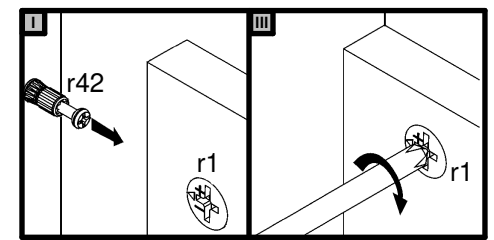
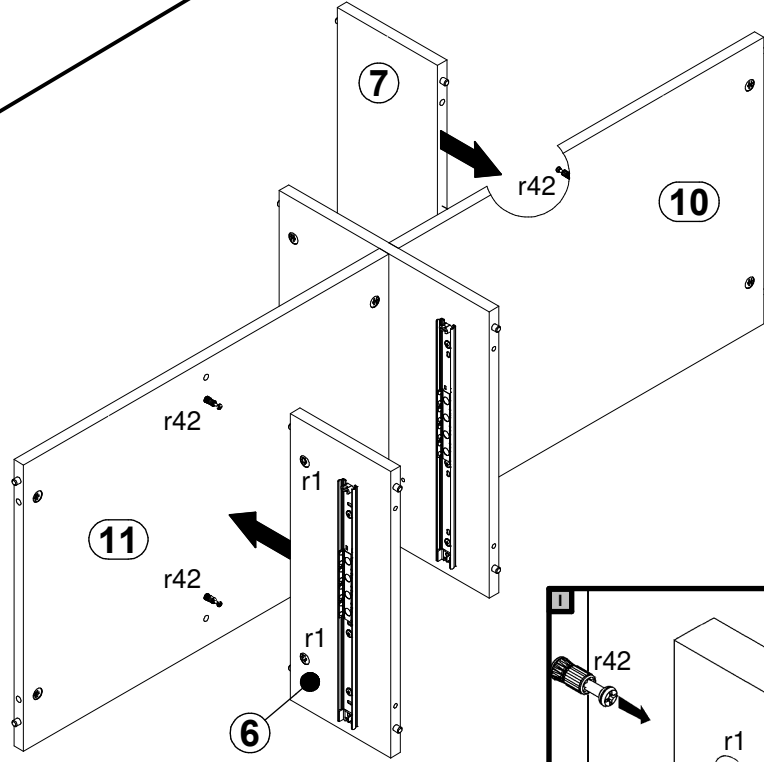


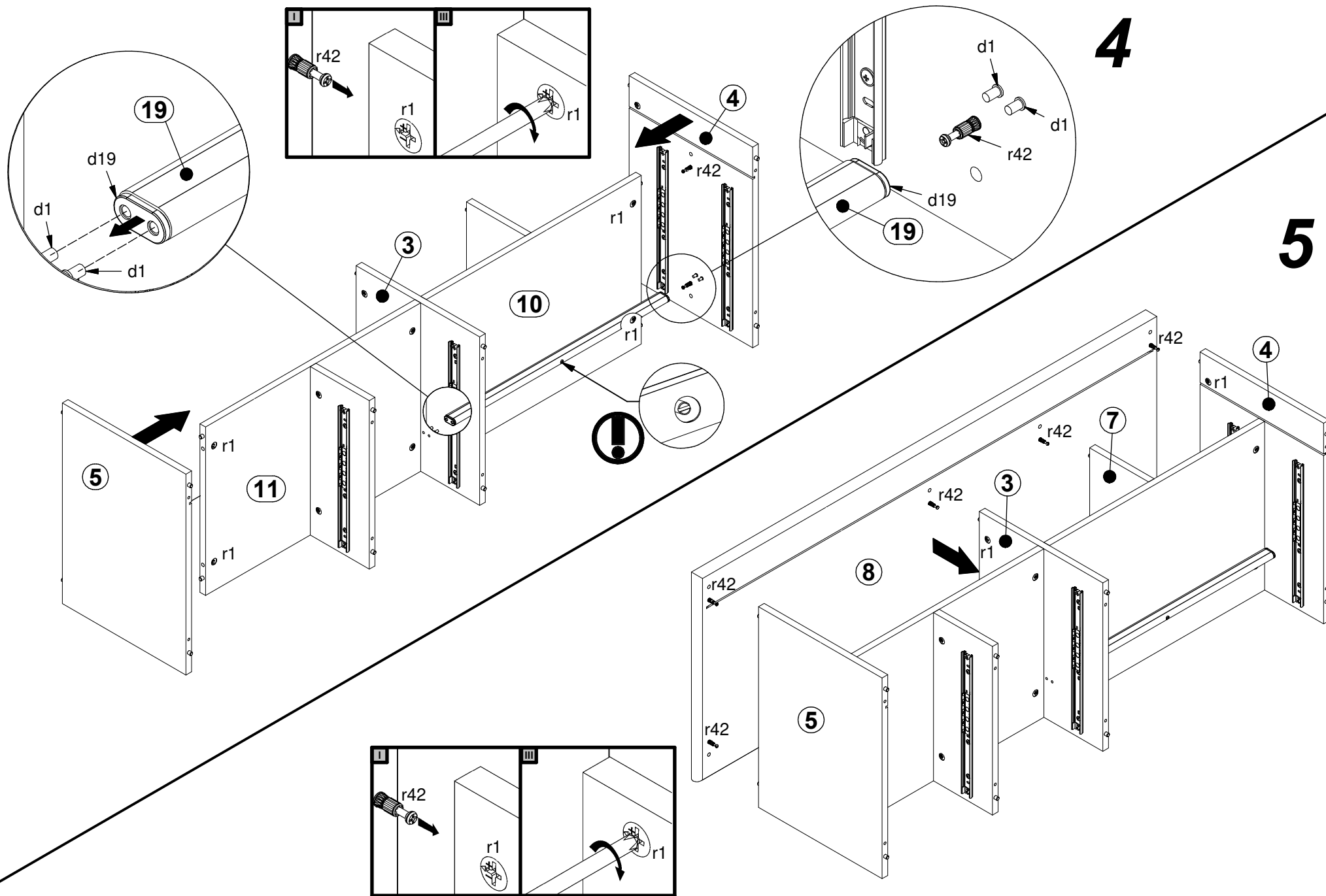


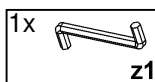
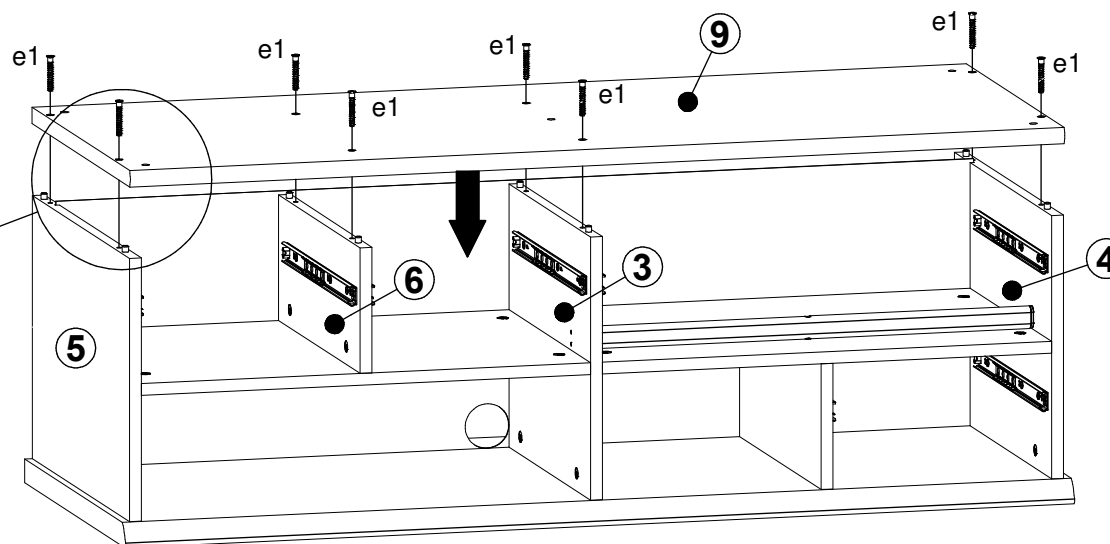
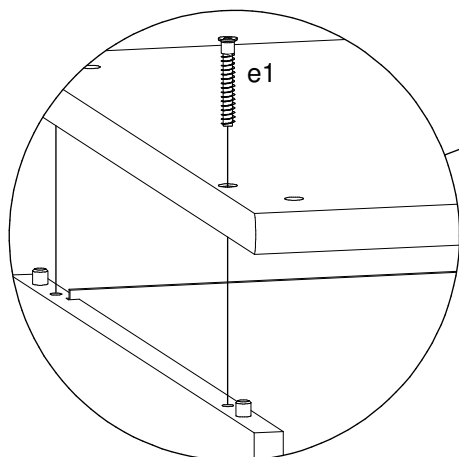
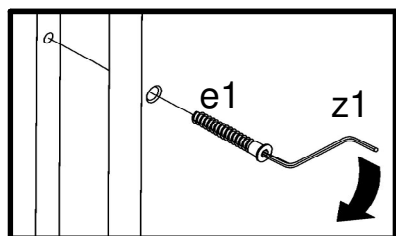
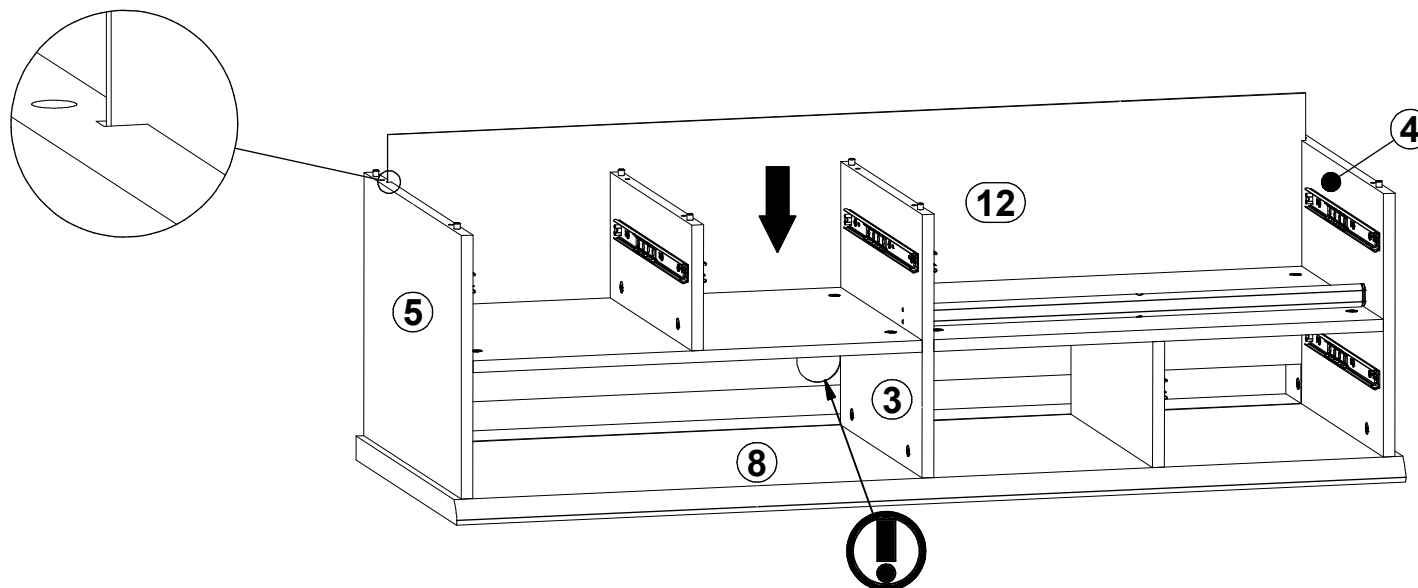
2

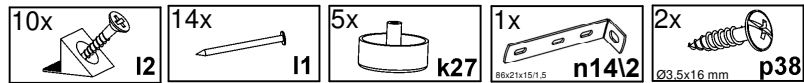
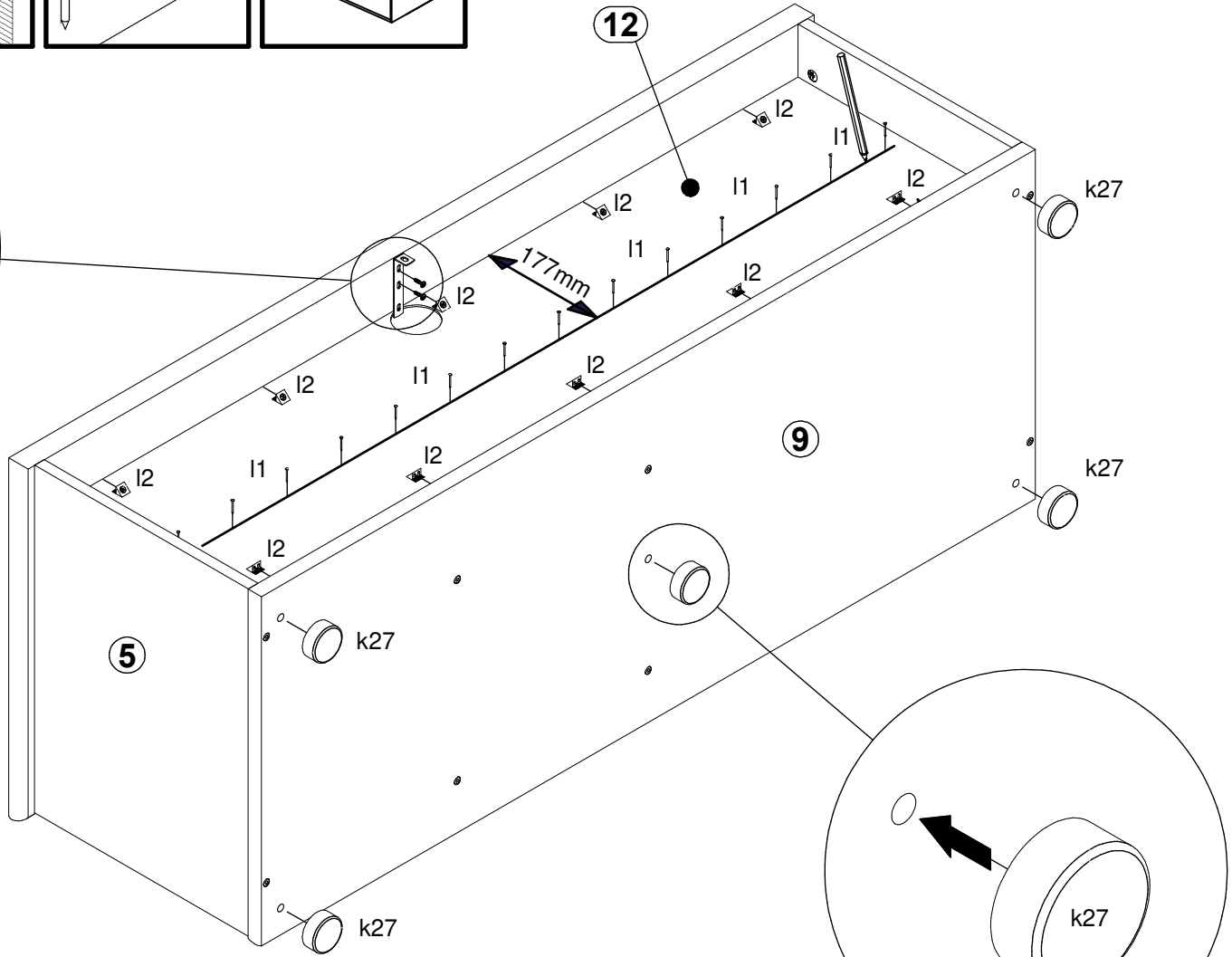
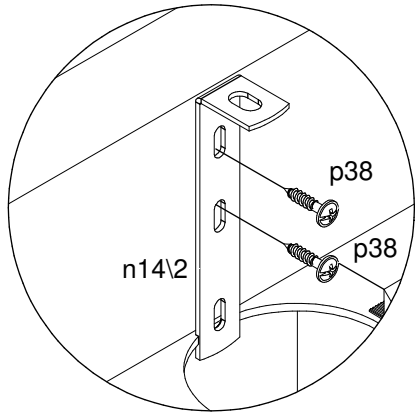
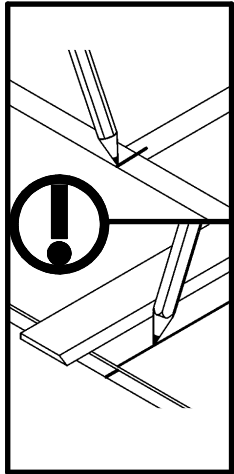
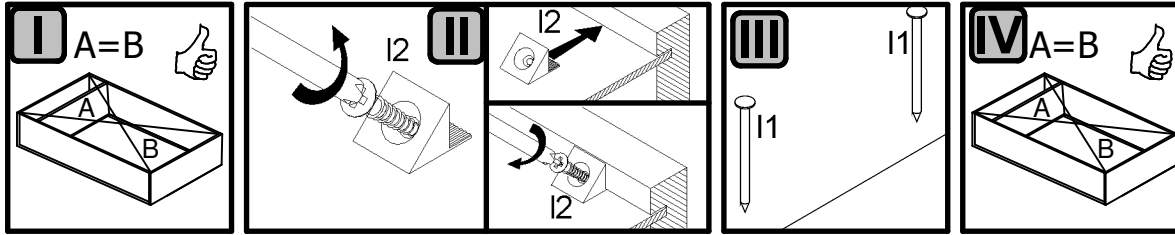


3





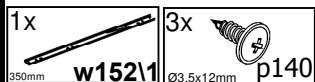
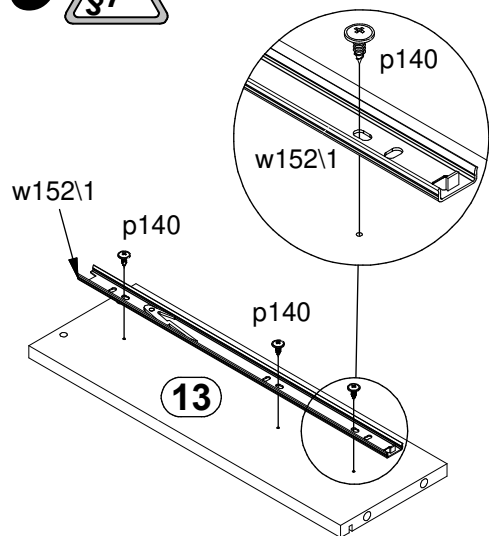




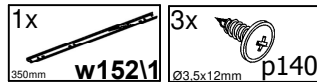
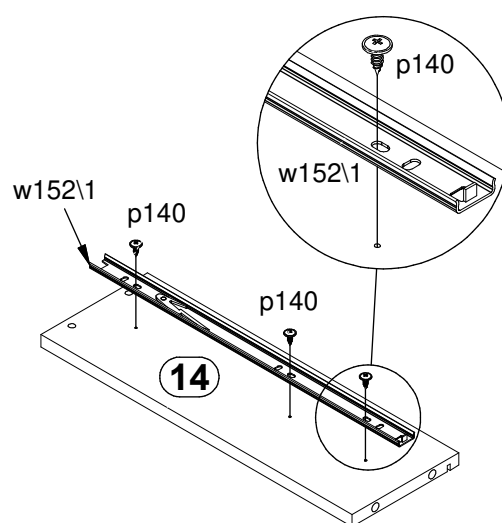
9



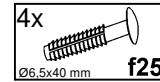
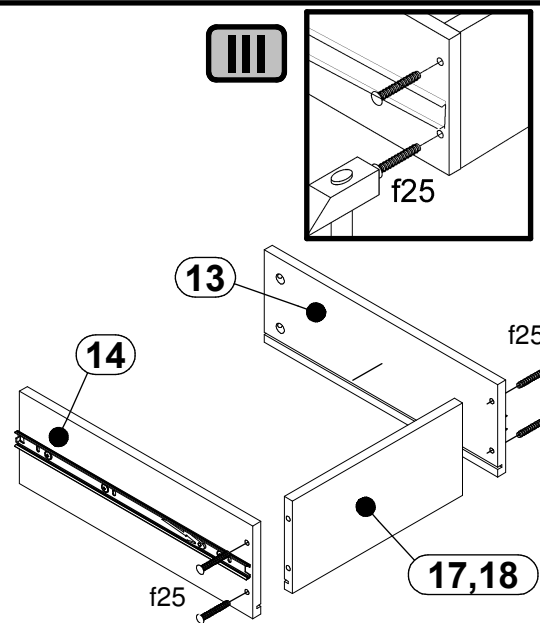
I



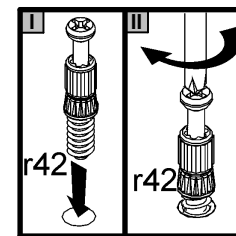
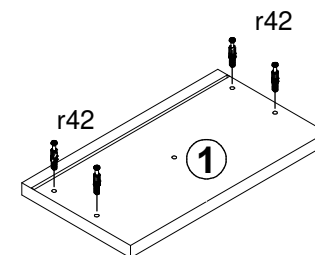
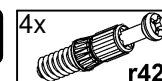
II



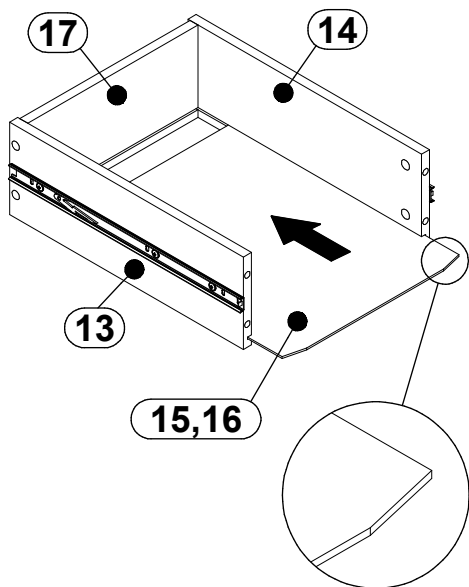
III



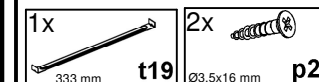
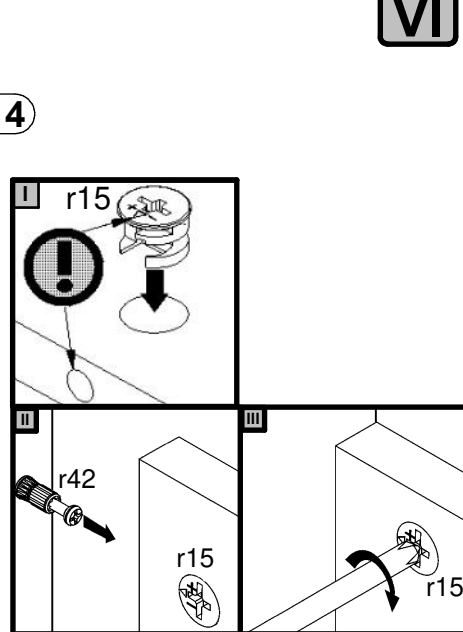
IV



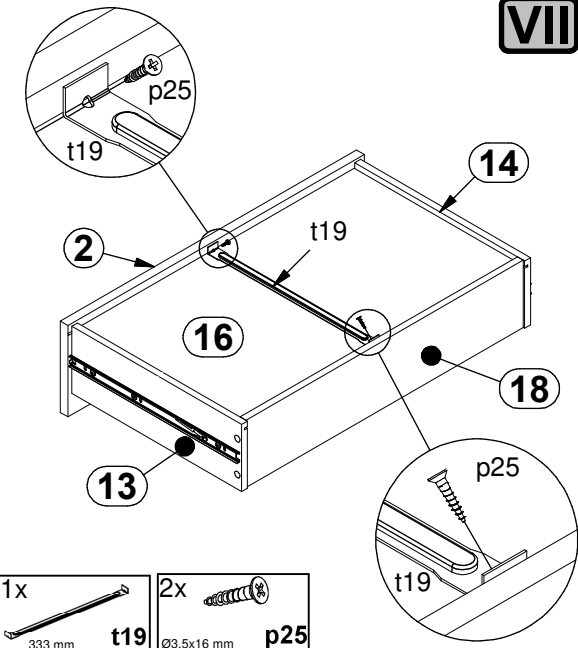
V



VI



VII

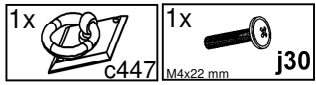


A

S248-RTV4S/4/13

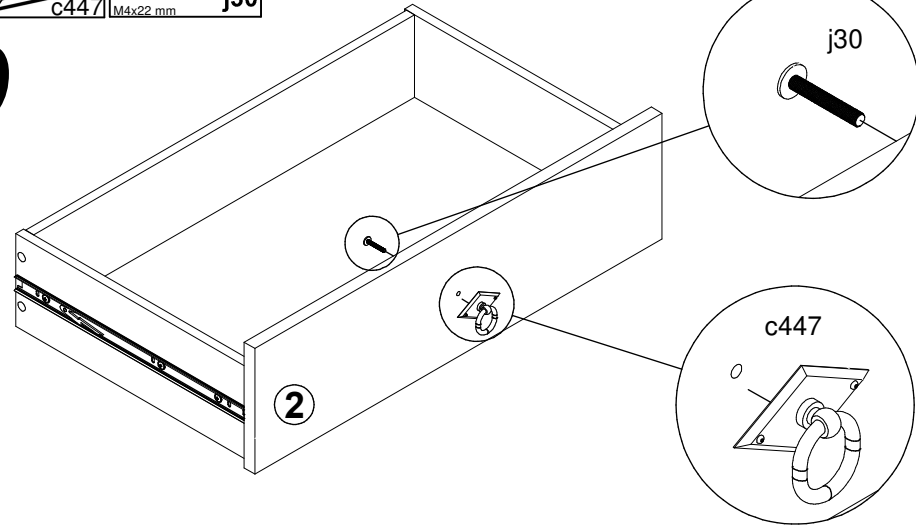
10D0--30

13 / 14

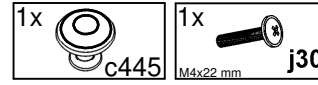


VII

9

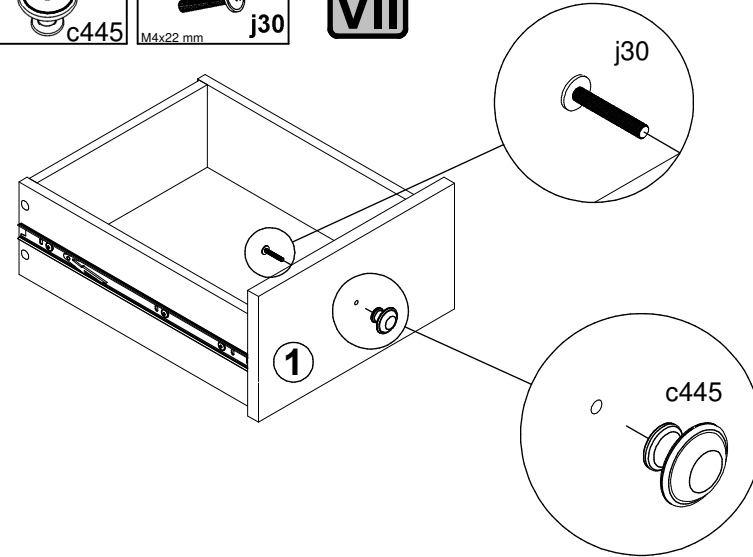


1x

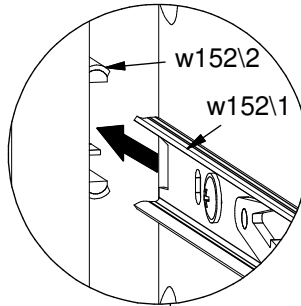
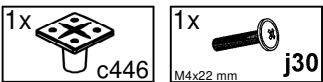
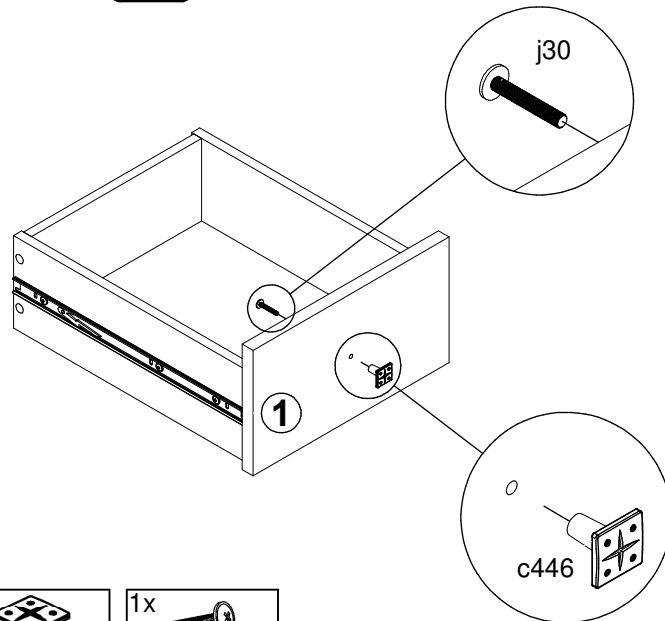


VII

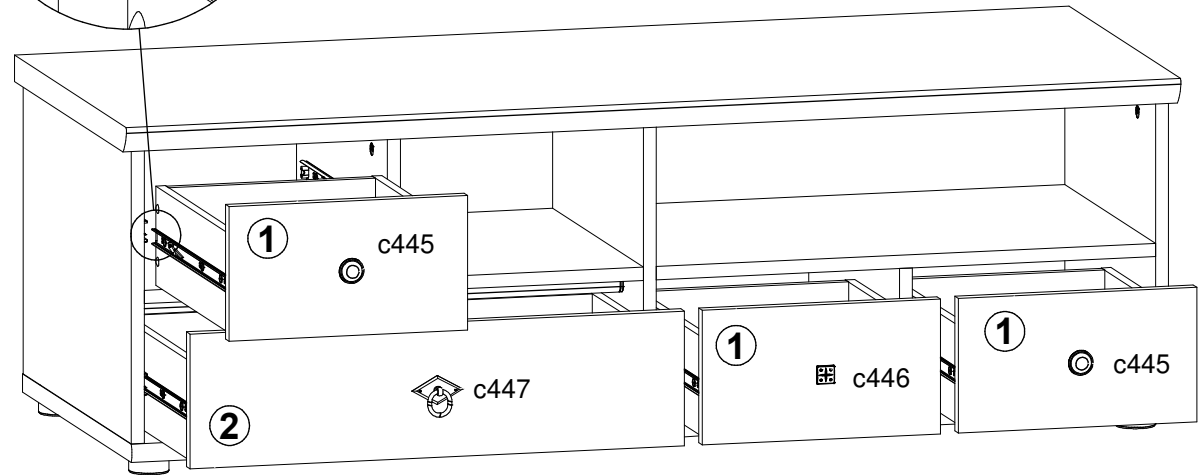
2x

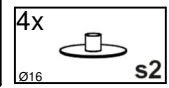
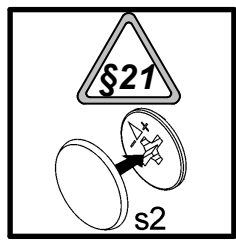
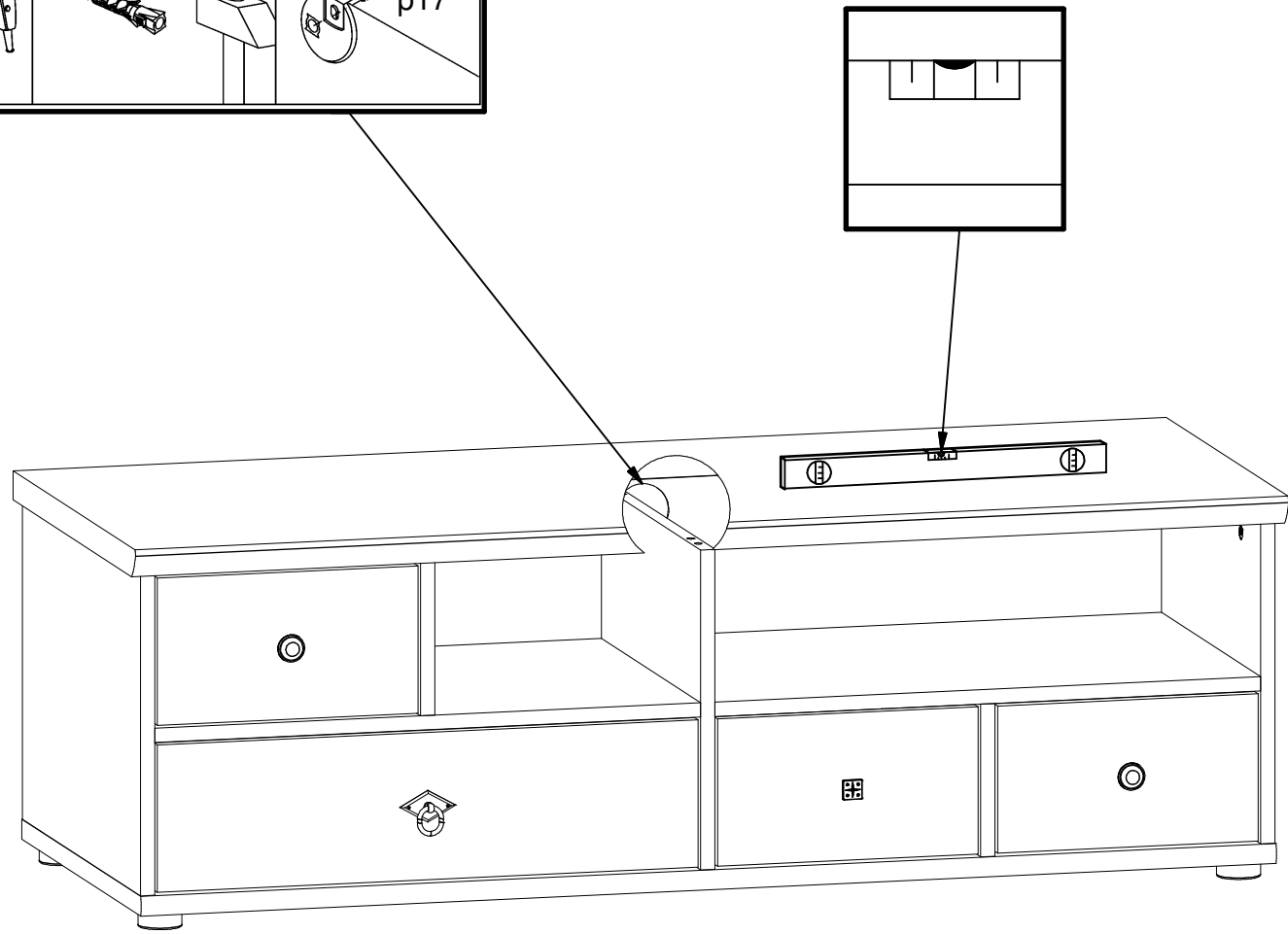
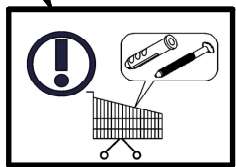
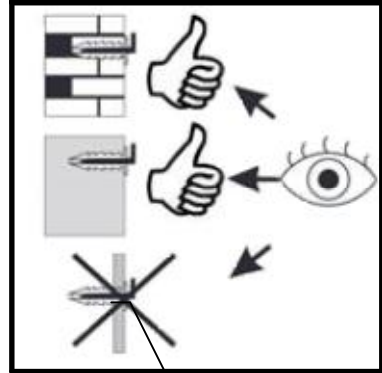
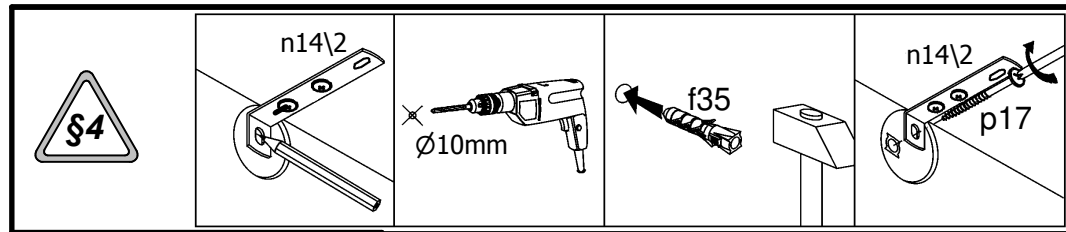


1x VII



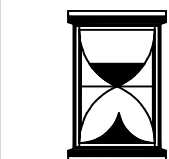
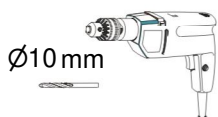
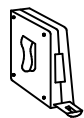
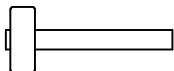
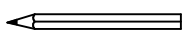
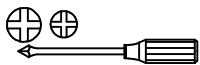
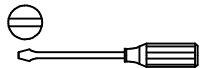
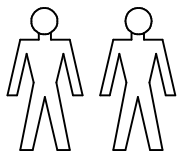
10



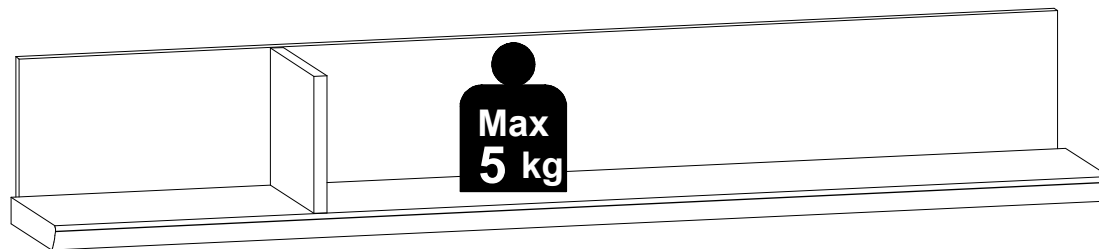


A**S248-P/2/13**

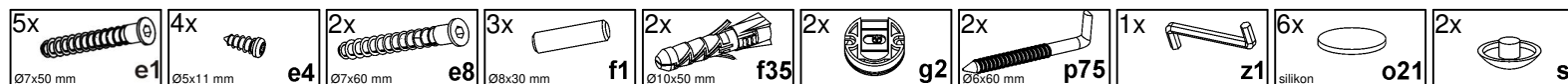
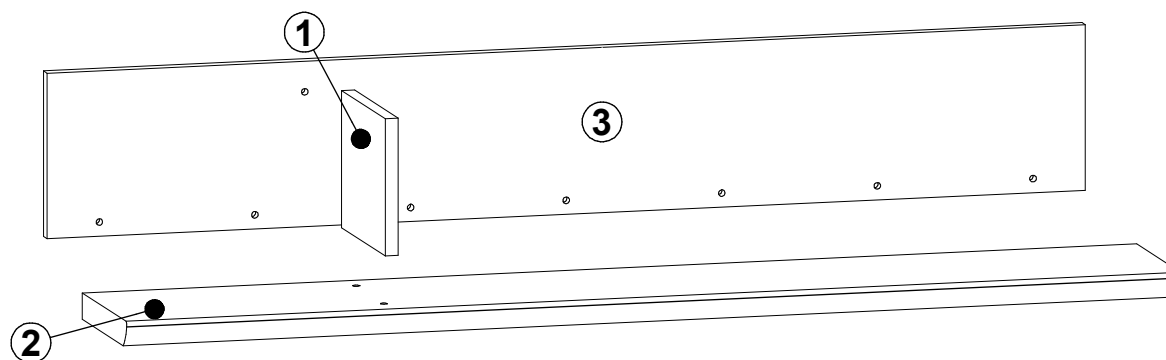
2 / 5

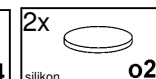
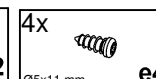
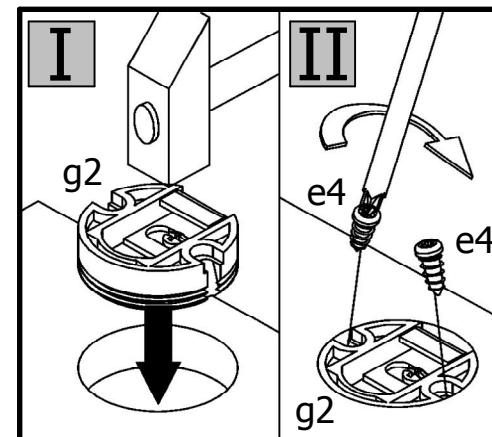
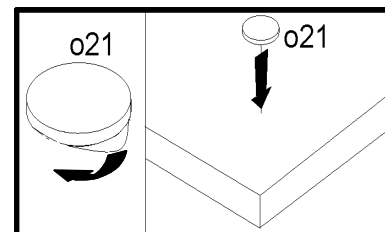
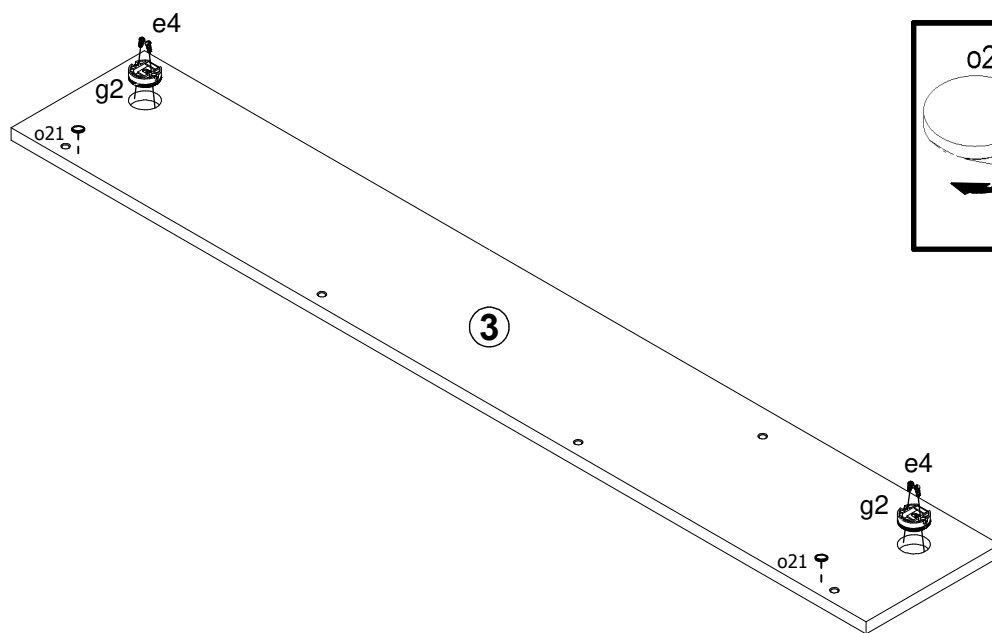
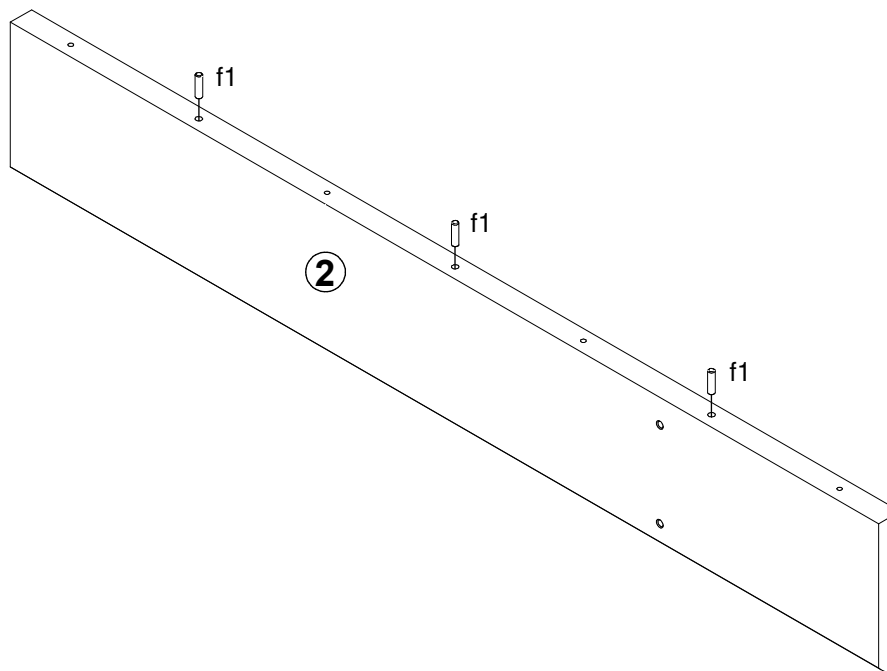
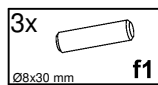
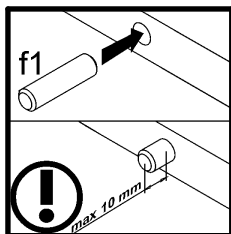


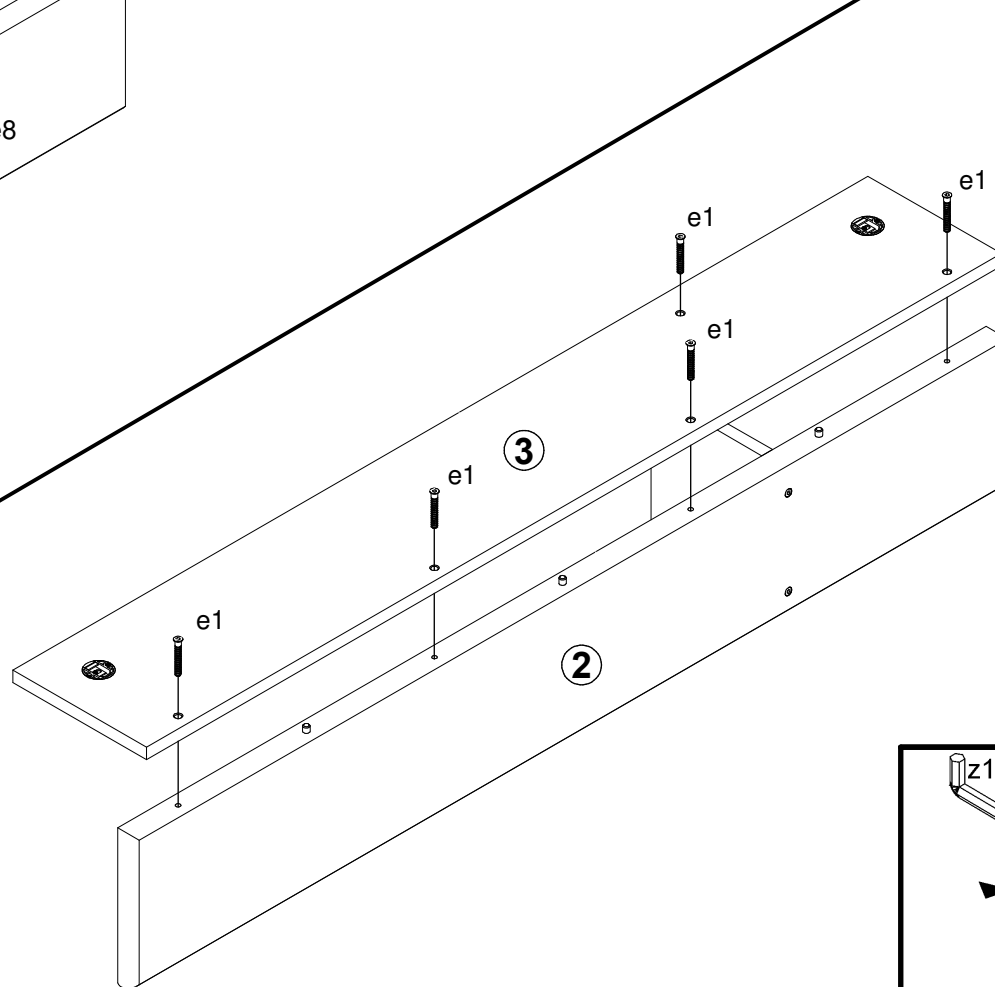
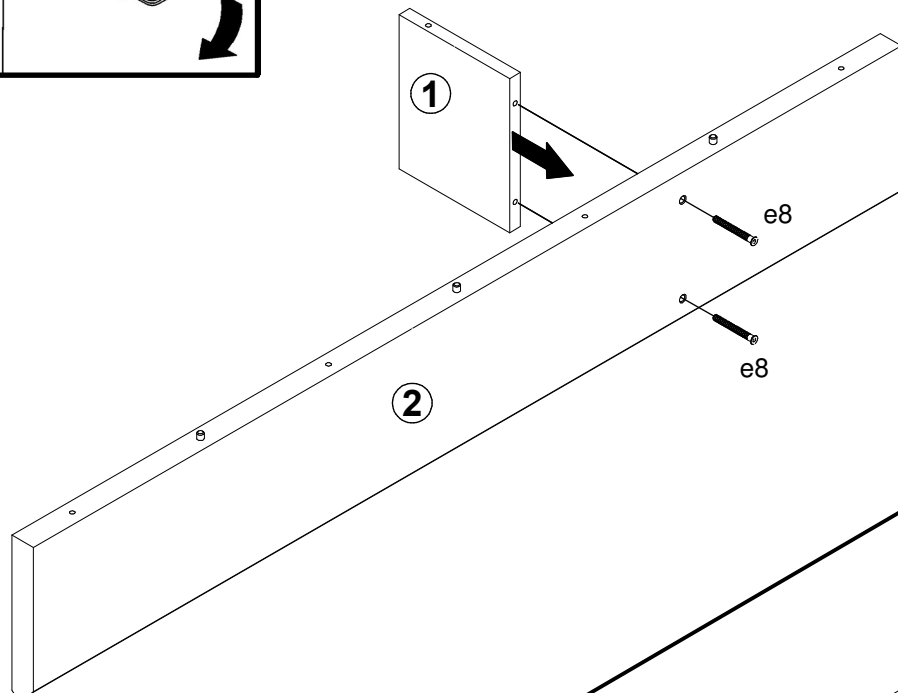
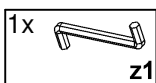
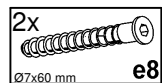
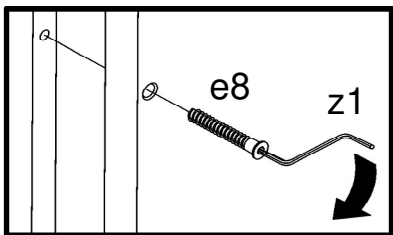
20min



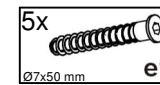
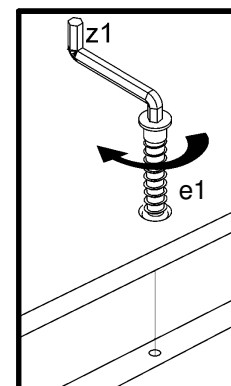
A	B	C (mm)		D
1	S248-1037	166	200	1/1
2	S248-3027	1301	204	1/1
3	S248-4302	1281	200	1/1

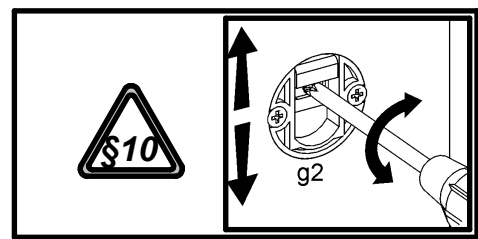






3





4

- 2x p75
Ø6x60 mm
- 2x f35
Ø10x50 mm
- 2x s1

