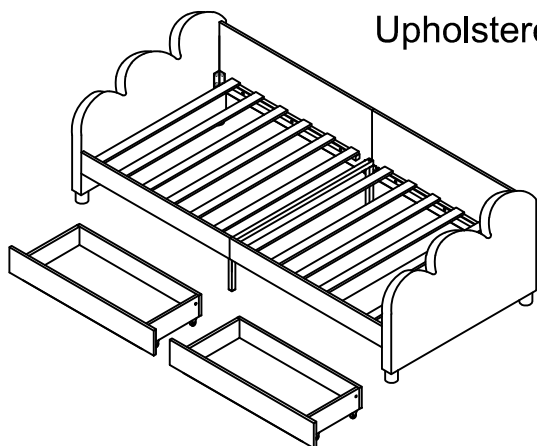


# ASSEMBLY INSTRUCTION

Item Number: WF532347 / WF532348

Upholstered Bed: 90x200



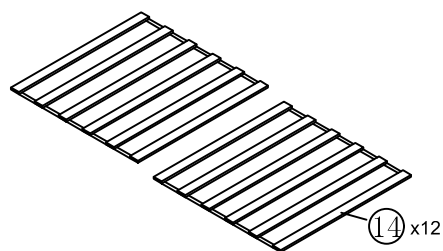
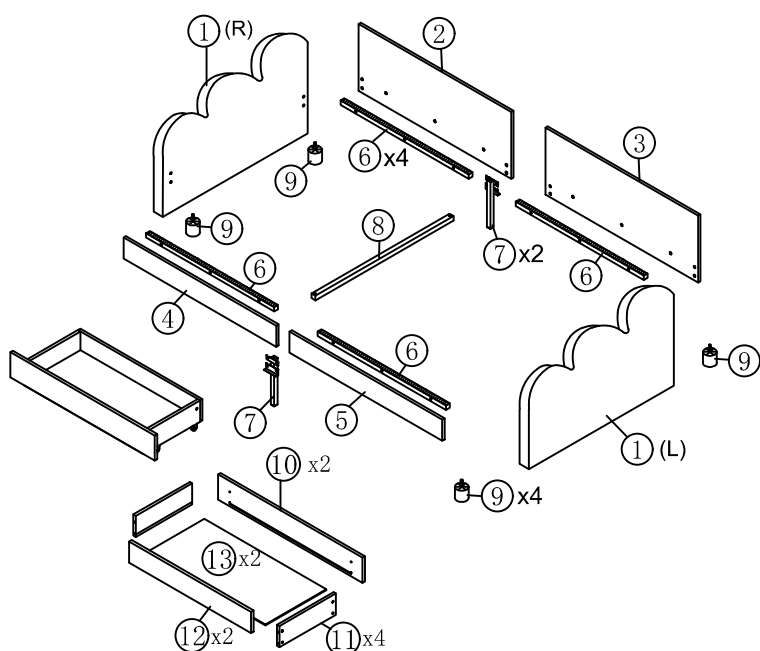
## TIPS

1. This product is divided into 2 parcels for delivery. They may not arrive at the same time. Please wait patiently.

2. Please read the instructions fully before assembly. These instructions include important information which could ensure correct assembly. We have been working on providing high quality products for you. However, in the rare instance that your product is defective, missing parts or there are some issues, please don't hesitate to contact our customer service to submit parts requirements, assembly suggestion, or warranty claims, and we will give the best solution as soon as possible. If necessary, we need you to provide some more clear pictures of the issue.

3. Insert the screws in holes and tighten the screws, but not too tight, 70%~80% is ok, finally tighten all the screws. If some issues happened that some screws can not target to the hole or some parts are difficult to install, please adjust the tightness of the screws.

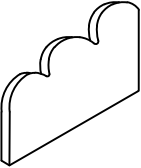
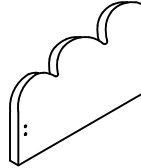
4. 2 people are recommended to finish.



Parts List			Hardware List		
NO	ITEM	QTY	NO	ITEM	QTY
1	Armrest	2	A	Allen Key 	1
2	Back rest	1	B	Bolts (M8x40mm) 	14
3	Back rest	1	C	Two hole iron 	3
4	Siderail	1	D	Bolts (M8x18mm) 	32
5	Siderail	1	E	"7" Connector 	4
6	Side rails support bar	4	F	Stopper 	2
7	Side rails support legs	2	G	Drawer wheel 	8
8	Cross bar	1	H	Drawer fittings 	16
9	Legs	4	I	Drawer fittings 	16
10	Drawer outer board	2	J	Nails (M3x20mm) 	16
11	Drawer board	4			
12	Drawer board	2			
13	Drawer bottom board	2			
14	Slats	12			

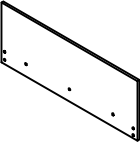
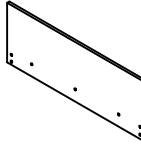
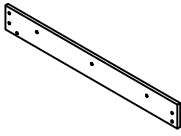
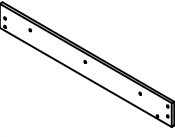
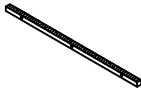



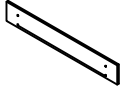
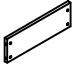
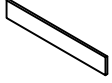
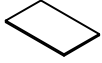
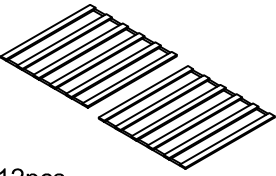
# Part List

WF532347

<p><b>1L</b></p>  <p>Armrest-1pc</p>	<p><b>1R</b></p>  <p>Armrest-1pc</p>
---	---

# Part List

Hardware List+WF532348

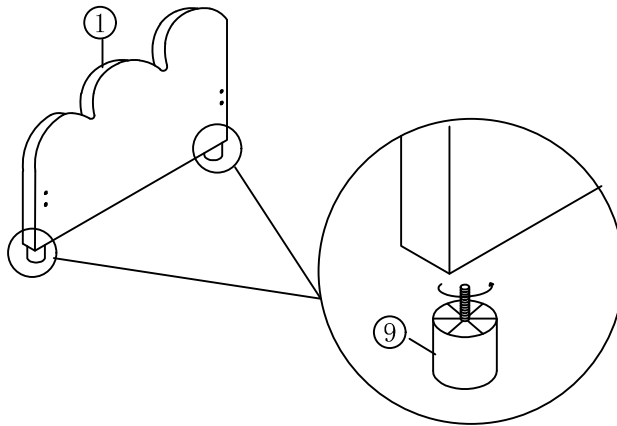
<p><b>2</b></p>  <p>Back rest-1pc</p>	<p><b>3</b></p>  <p>Back rest-1pc</p>	<p><b>4</b></p>  <p>Side rail-1pc</p>
<p><b>5</b></p>  <p>Side rail-1pc</p>	<p><b>6</b></p>  <p>Side rails support bar-4pcs</p>	<p><b>7</b></p>  <p>Side rails support legs-2pcs</p>
<p><b>8</b></p>  <p>Cross bar-1pc</p>	<p><b>9</b></p>  <p>Bed Legs-4pcs</p>	<p><b>10</b></p>  <p>Drawer outer board-2pcs</p>
<p><b>11</b></p>  <p>Drawer board-4pcs</p>	<p><b>12</b></p>  <p>Drawer board-2pcs</p>	<p><b>13</b></p>  <p>Drawer bottom board-2pcs</p>
<p><b>14</b></p>  <p>Slats-12pcs</p>		

Attention: Do not tighten the screws before completing the entire installation. If you have any difficulty with the installation process, please feel free to contact us.

## Step 1 x2

Fix the legs ⑨ to the Armrest ① .

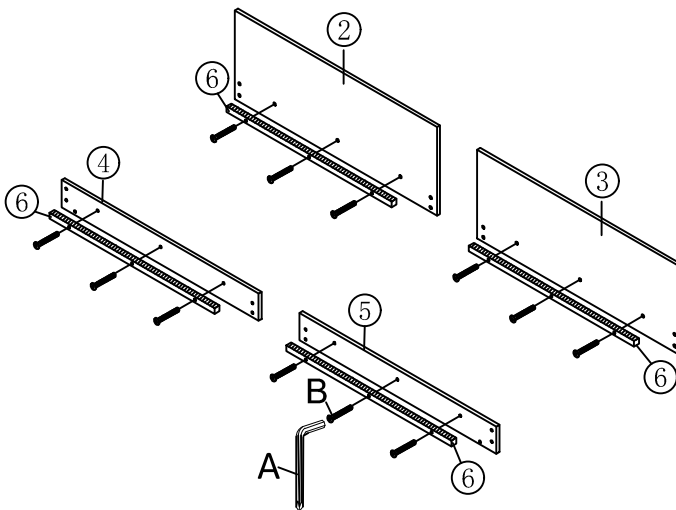
(Befestigen Sie die Beine ⑨ an der Armlehne ① . )





## Step 2

Connect Siderail support bar ⑥ to the Back rest ② and ③, Siderails ④ and ⑤ with Bolts B by using Allen key A.

(Verbinden Sie die Seitenschiene ⑥ mit der Rückenlehne ② und ③. Seitenschiene ④ und ⑤ mit Schrauben B mit Inbusschlüssel A.)

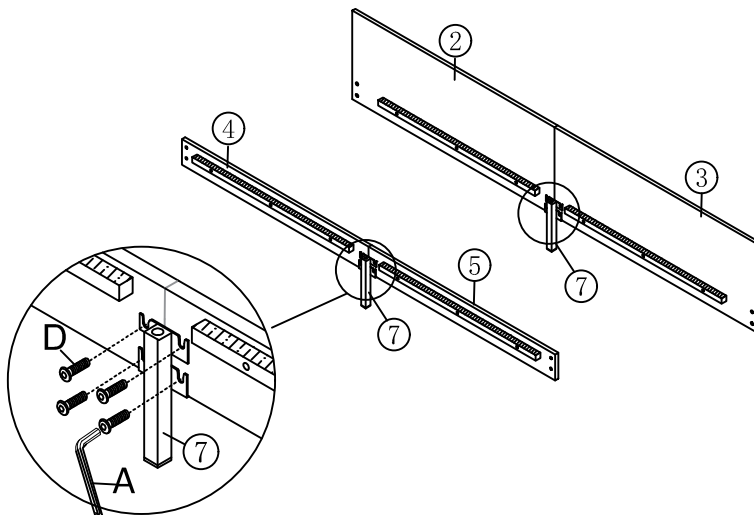




A Allen Key	B Bolts x 12
	 M8X40mm

## Step 3

Fix the side rails support leg ⑦ to the side rail and backrest with Bolts D by using Allen key A.

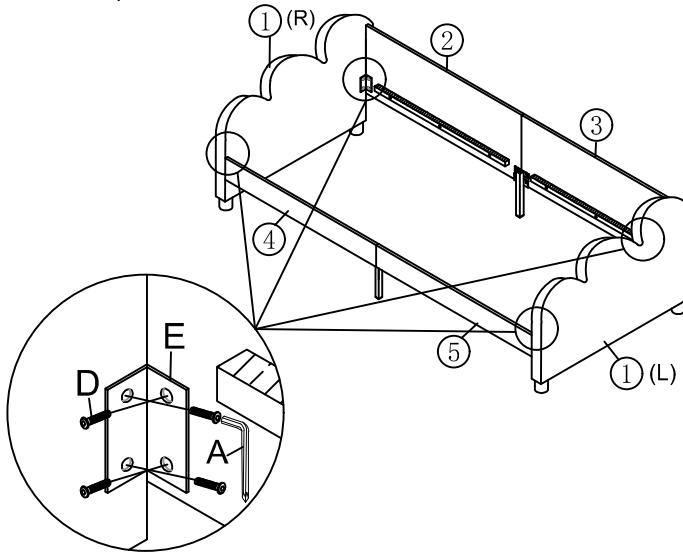
(Fixieren Sie das Seitenschienestützbein ⑦ mit Schrauben D an der Seitenschiene und Rückenlehne mit Inbusschlüssel A.)






Allen Key	D Bolts x 8
	 M8X18mm

## Step 4

Fix the assembled side rail and Backrest ① with Bolts D and "7" Connector E by using Allen key A.  
 (Befestigung der montierten Seitenschiene und Rückenlehne an der Armlehne ① mit Schrauben D und "7" Stecker E mit Inbusschlüssel A.)



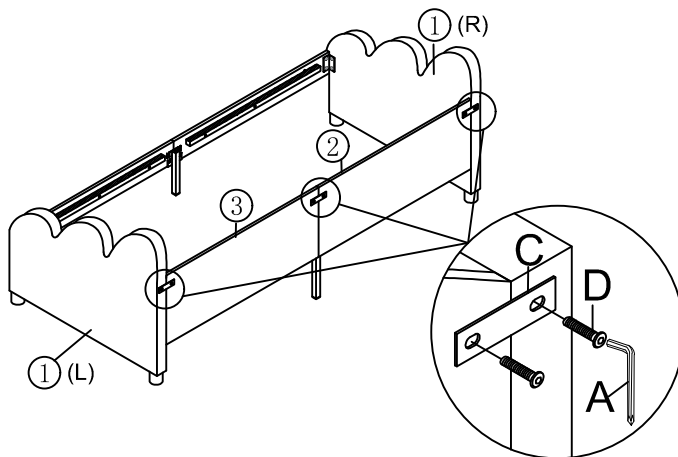
Allen Key 	D Bolts x 16  M8X18mm	E "7" Connector x 4 
---	--	--




## Step 5

Fix the Backrest ② and ③ together with Bolts D and Two hole iron C by using Allen key A.

Fix the Backrest ② and ③ to the Armrest ① with Bolts D and Two hole C iron by using Allen key A.

(Befestigen Sie die Rückenlehne ② und ③ mit den Schrauben D und dem Zweilocheisen C mit dem Inbusschlüssel A.  
 Befestigen Sie die Rückenlehne ② und ③ mit den Schrauben D und dem Zweilocheisen C mit dem Inbusschlüssel A an der Armlehne ①.)

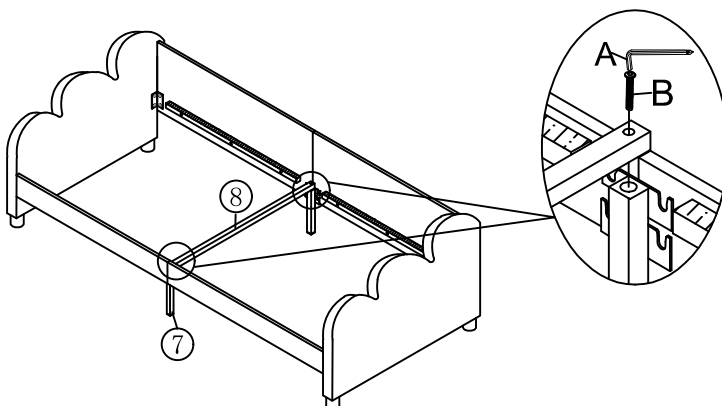




Allen Key 	C Two hole iron x 3 	D Bolts x 6  M8X18mm
---	--	---

## Step 6

Fix the cross bar ⑧ to the side rails support legs ⑦ with Bolts B by using Allen key A.

(Befestigen Sie die Querstange ⑧ mit den Schrauben B und dem Inbusschlüssel A an den Stützbeinen der Seitenschiene ⑦.)

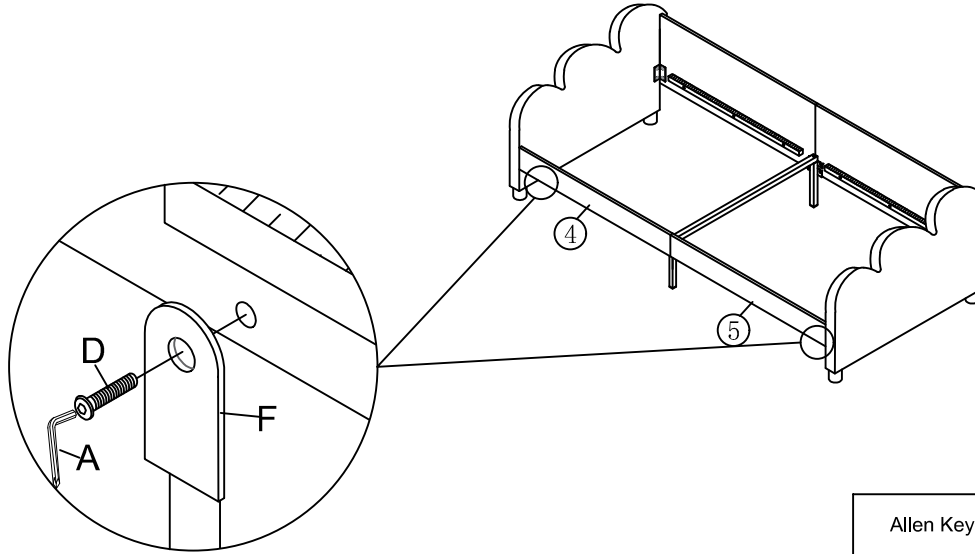





Allen Key 	B Bolts x 2  M8X40mm
--	---

## Step 7

Fix the Stopper F To the Siderails with Bolts D by using Allen key A.

(Fixieren Sie den Stopper F an den Seitenschienen mit Schrauben D mit Inbusschlüssel A.)

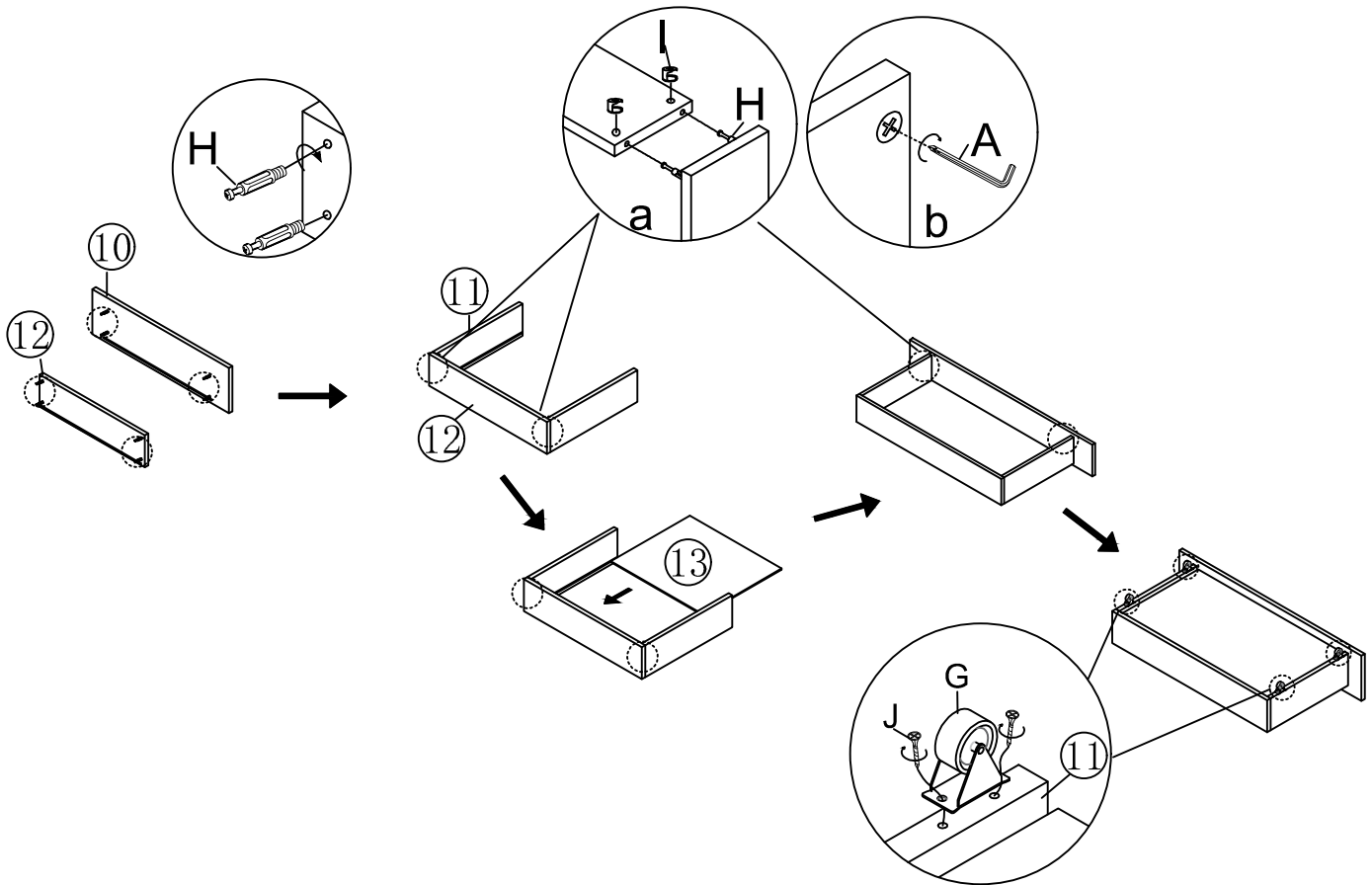







Allen Key	D Bolts x 2	F Stopper x2
	 M8X18mm	

## Step 8 x2

Assembled the Drawer with Drawer fittings H and I. Fix the Wheel G to the Drawer board ⑪ with Nails J by using Electric drill or Screw driver.

(Montieren Sie die Schublade mit Schubladeneinrichtungen H und I. Fixieren Sie das Rad G an der Schubladeneinrichtung ⑪ mit Nägeln J mit Elektroböhrer oder Schraubendreher.)

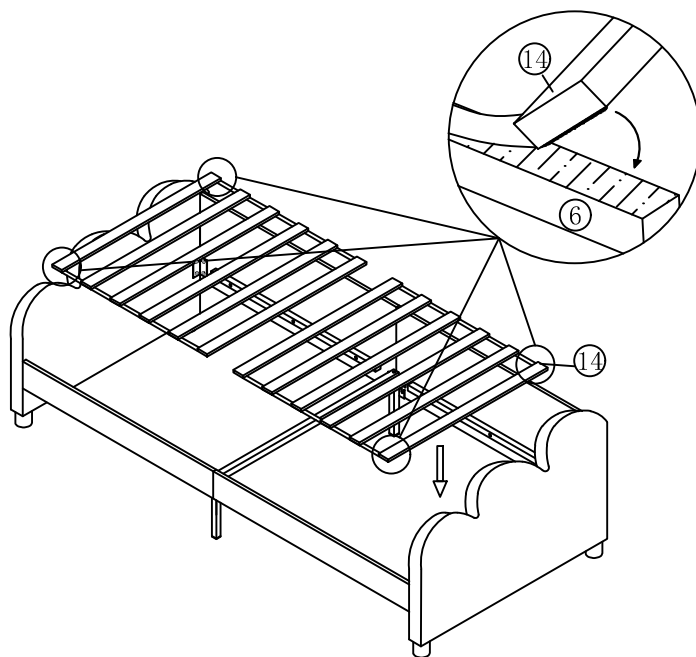


A Allen Key	G Wheel x8	H Drawer fittings x 16	I Drawer fittings x 16	J Nails x 16
				 M3X20mm

## Step 9

Fix the slats (14) to the side support bar (6).

(Befestigen Sie die Latten (14) an der seitlichen Stützstange (6).)



## Step 10

Push the two drawers into the bed then assembled is finished, now please tighten all hard ware and enjoy the bed.

(Schieben Sie die beiden Schubladen in das Bett dann montiert ist fertig, jetzt ziehen Sie bitte alle Hartwaren fest und genießen Sie das Bett.)

