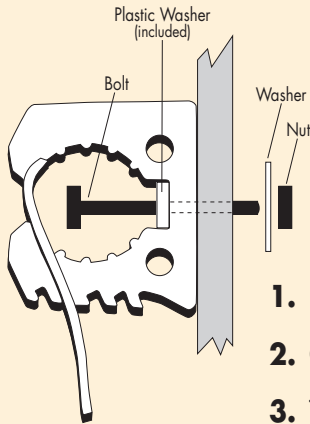


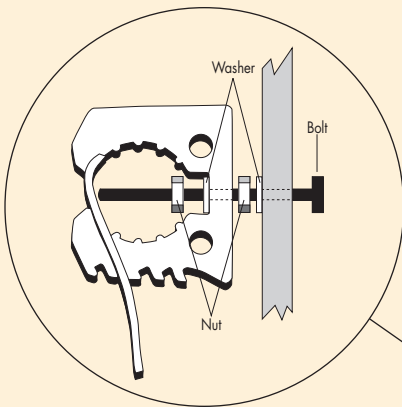
# Quick Fist®

One Piece Rubber Clamp

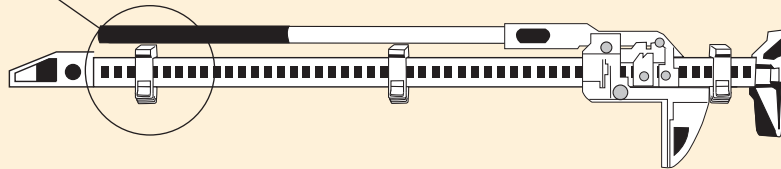


## Installation:

1. Use #10 bolt or screw and washer to fasten. Do not over tighten.
2. QUICK FIST can be mounted with the strap facing in any direction.
3. To Clamp: put the tool or implement into the jaws. Push the strap to tighten.
4. For certain applications, like roof racks with round tubing, or mounting a pike pole on a ladder, you can install the QUICK FIST clamps using hose clamps. Make sure you center the hose clamp on the plastic washer to avoid cutting into the rubber clamp.



## For High Lift Jacks:



1. For best results, use two QUICK FIST clamps evenly spaced along the steel bar of the jack.
2. Drill out attachment hole in both QUICK FIST clamps with a 7/16" (12mm) bit. Use a 2 1/2" (65mm) long, 3/8" (10mm) bolt to attach the clamp (see illustration).
3. To mount the jack, hold it parallel to the two clamps. Put one end of the jack into a QUICK FIST clamp, with the bolt through the steel bar and then lock the clamp loosely. Next place the steel bar into the other clamp and lock. After both clamps are holding the jack, tighten as necessary.

End of the  
Road, inc.