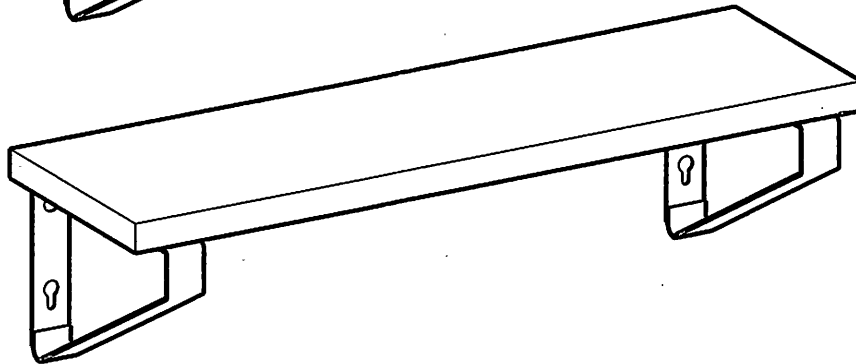
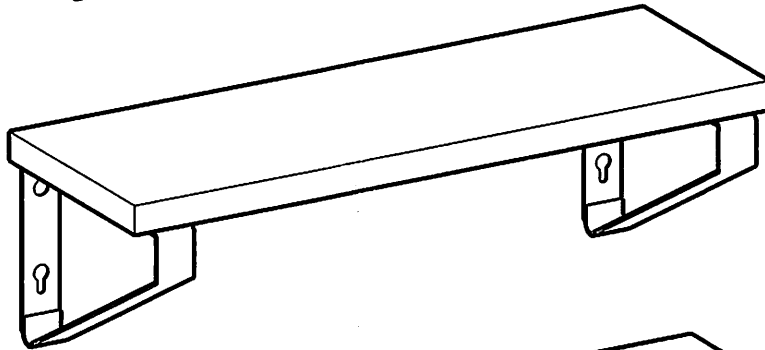
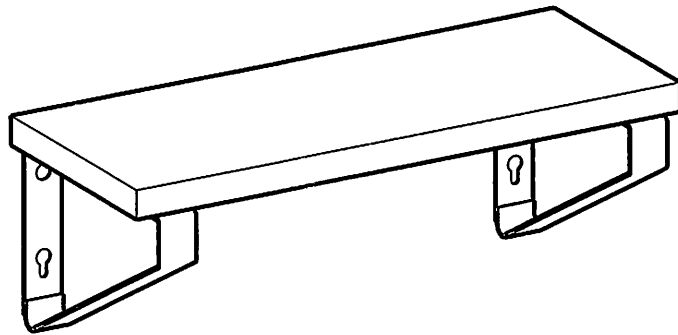
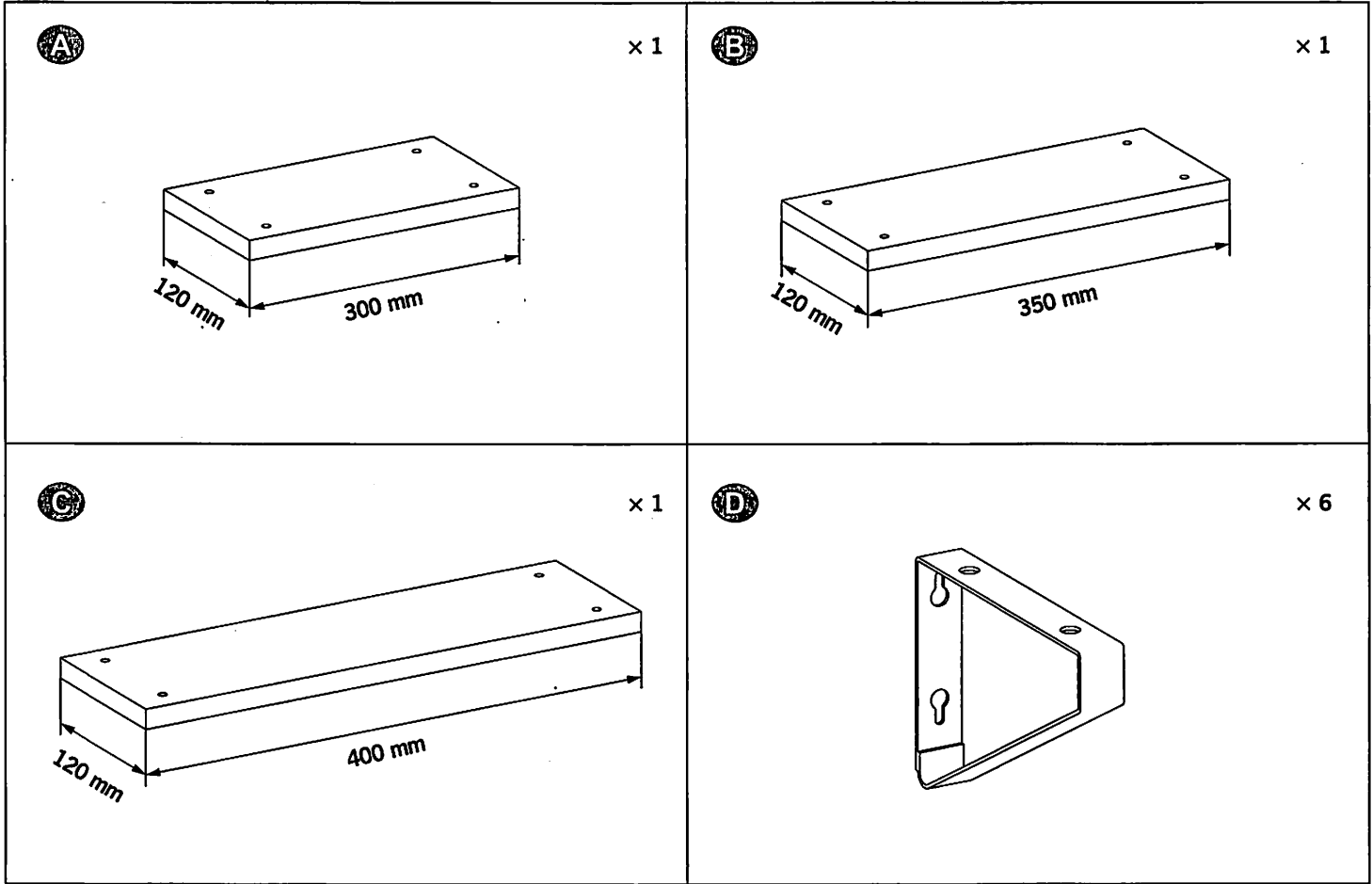
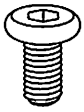


018-1856.





E



x 12

F



x 1

G



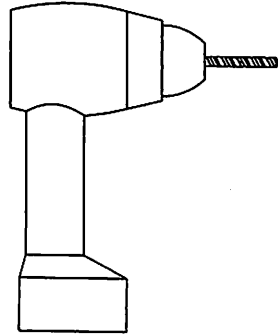
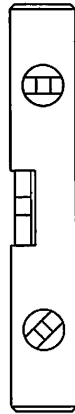
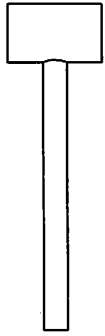
x 6

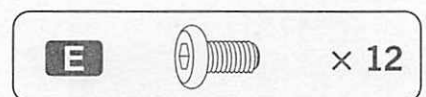
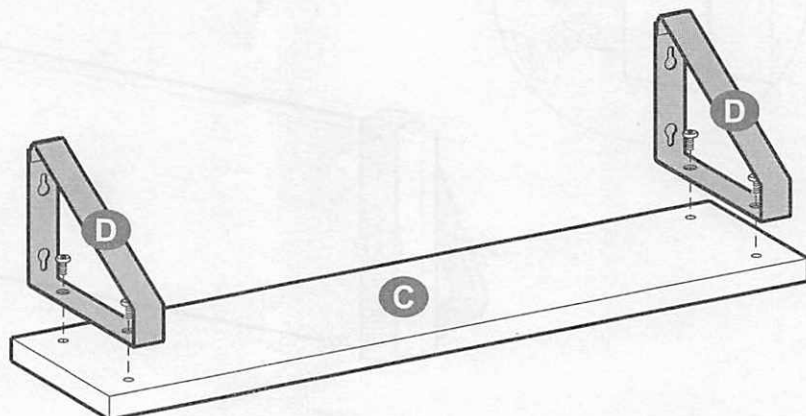
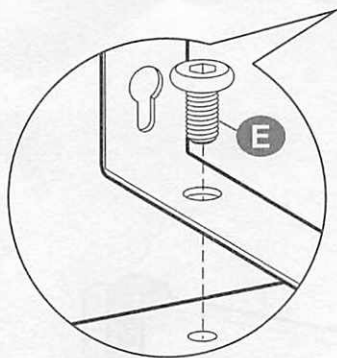
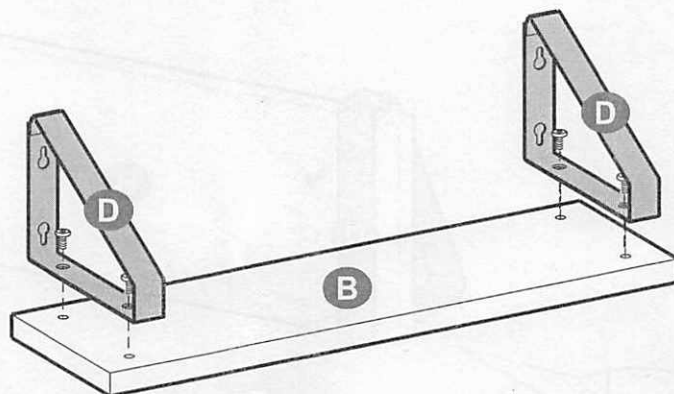
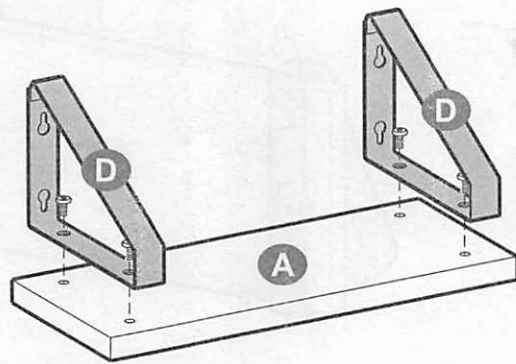
H



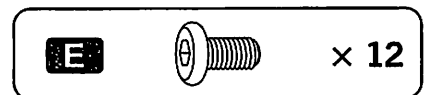
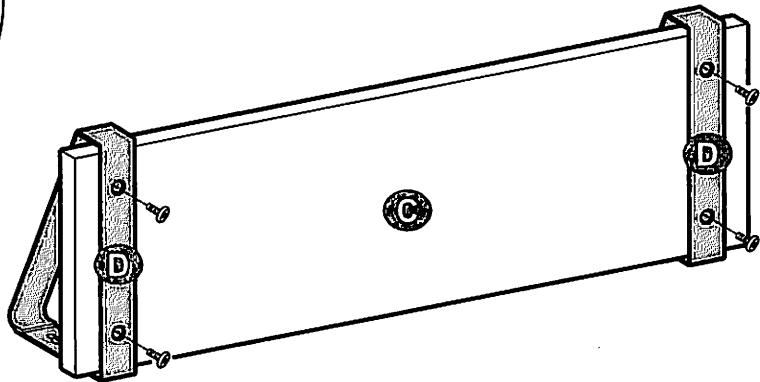
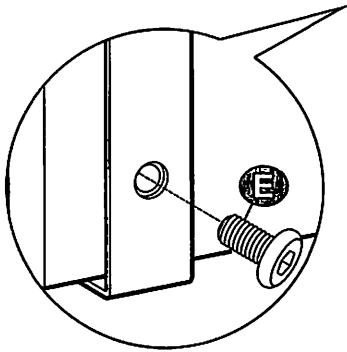
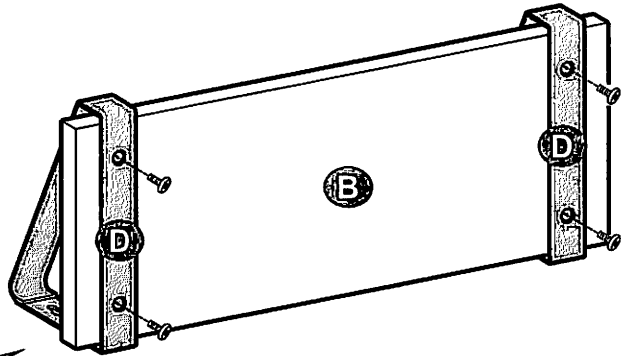
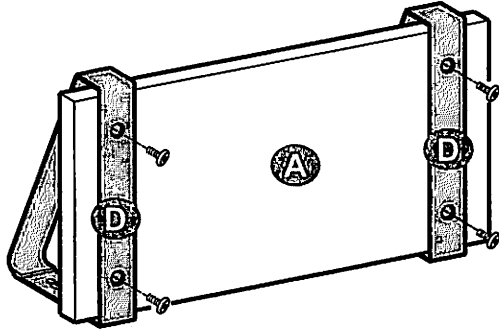
x 6

Tools Required:





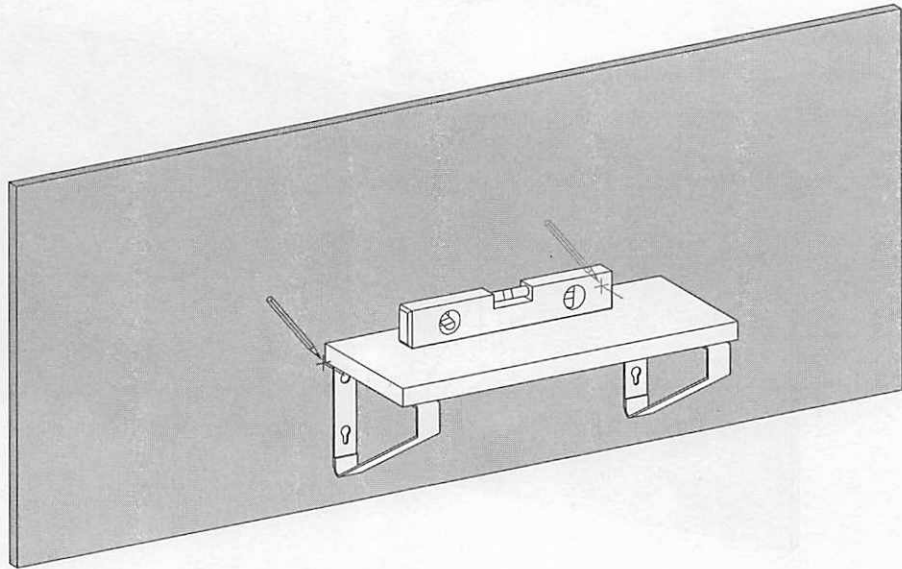
OR



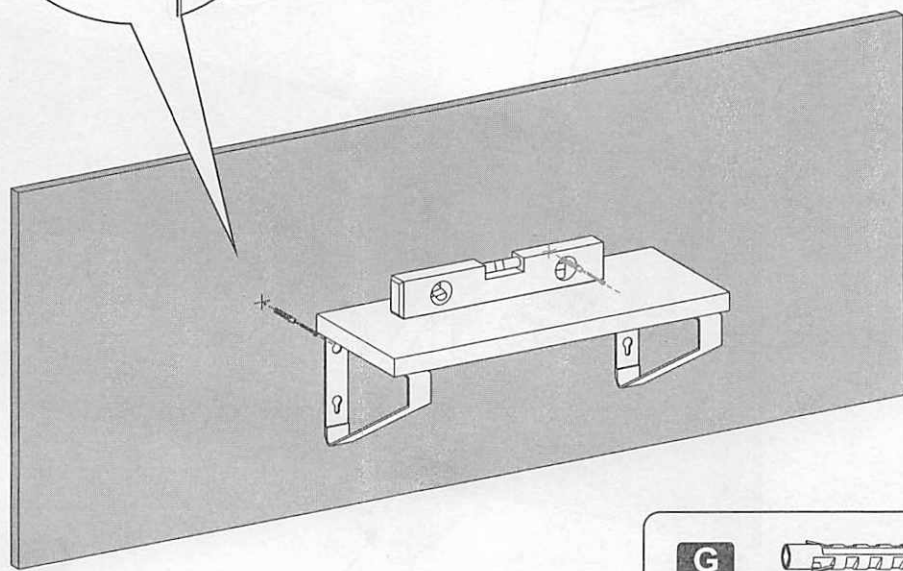
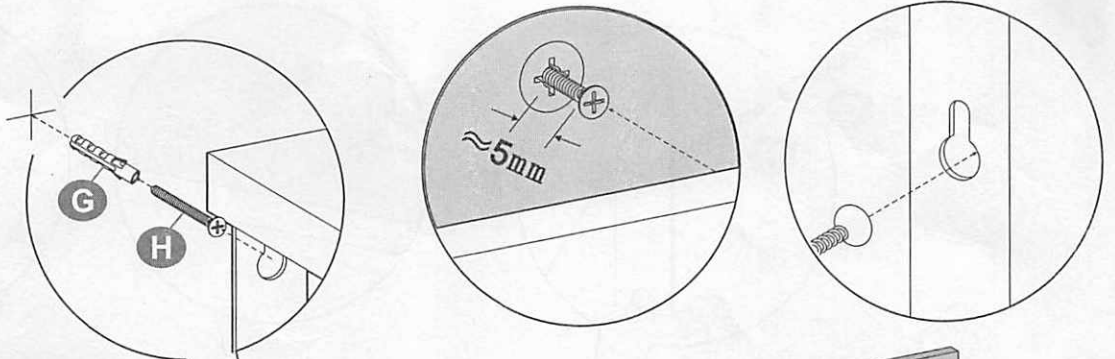
1

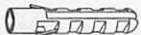
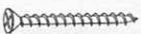
Method 1

S. Bohrholm



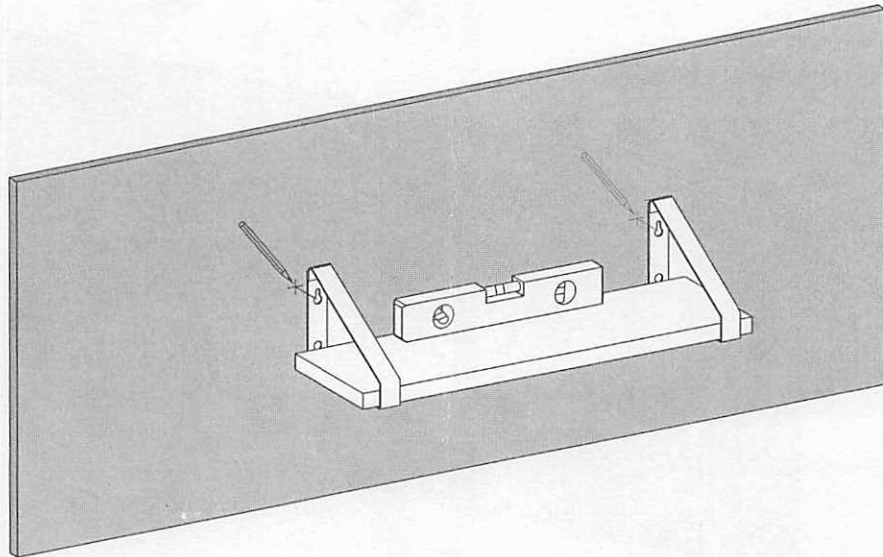
2



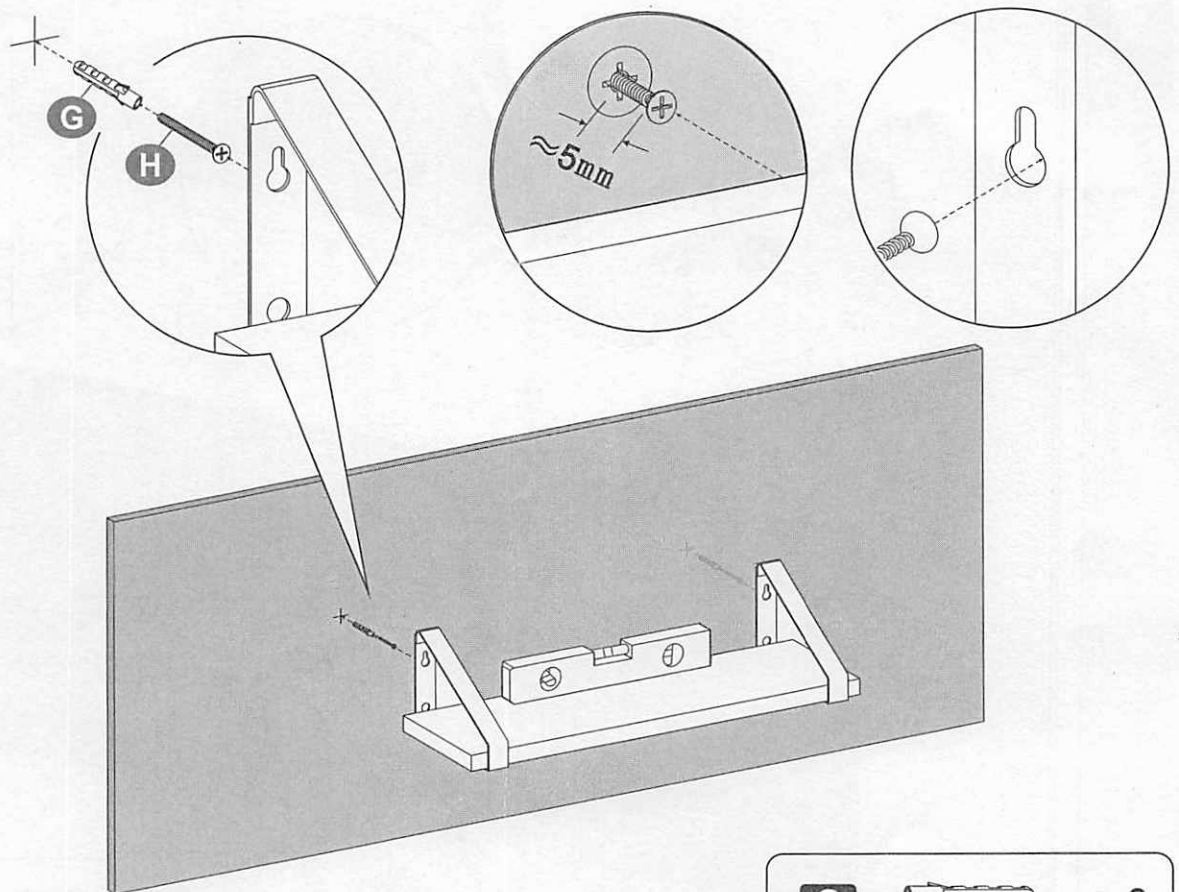
G		× 2
H		× 2

1

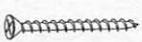
Method 2



2



G		× 2
----------	---	-----

H		× 2
----------	---	-----