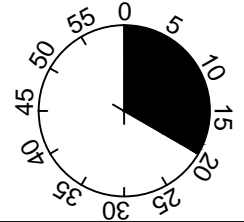
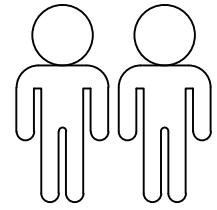
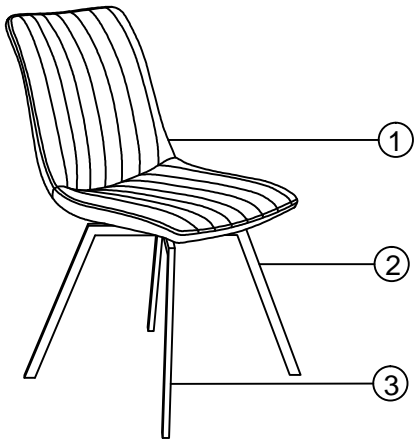


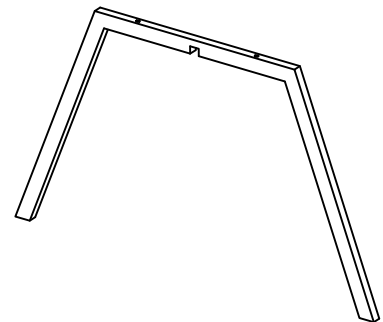
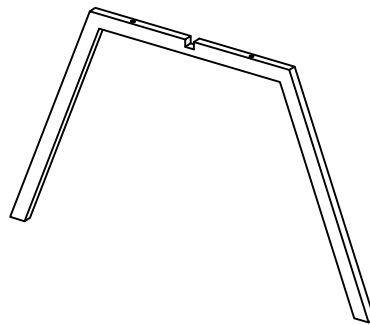
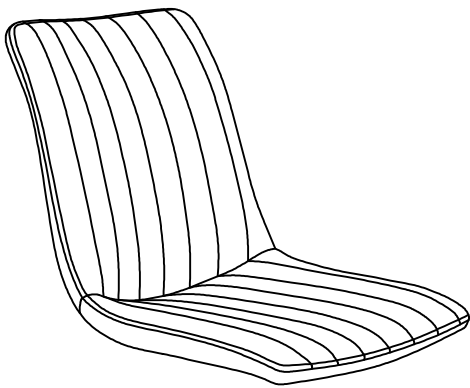
Theda



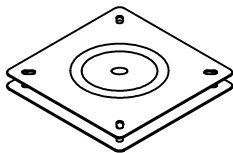
1

2

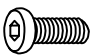





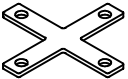
3



4

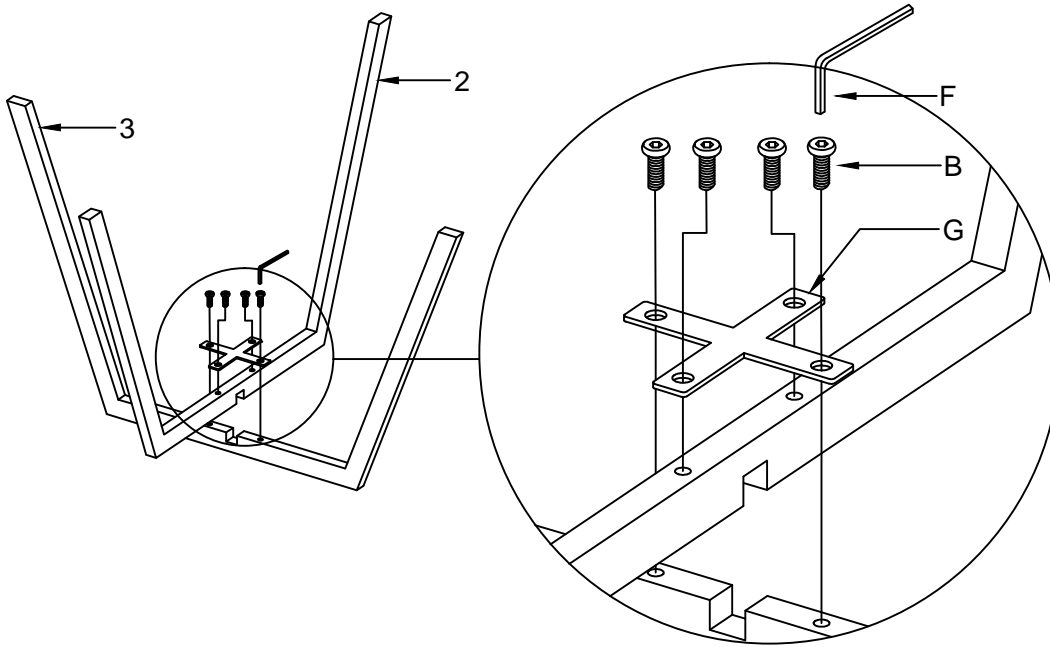


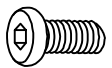
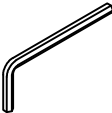
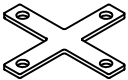

1	1 x
2	1 x
3	1 x
4	1 x

A	M6X20	B	M6x13	C	M6x30	D	Ø18xØ6x1.5	E	Ø18xØ8x10	F	4MM
											
6x		4x		2x		8x		2x		1x	
G	T2.0x90x90										
											
1x											

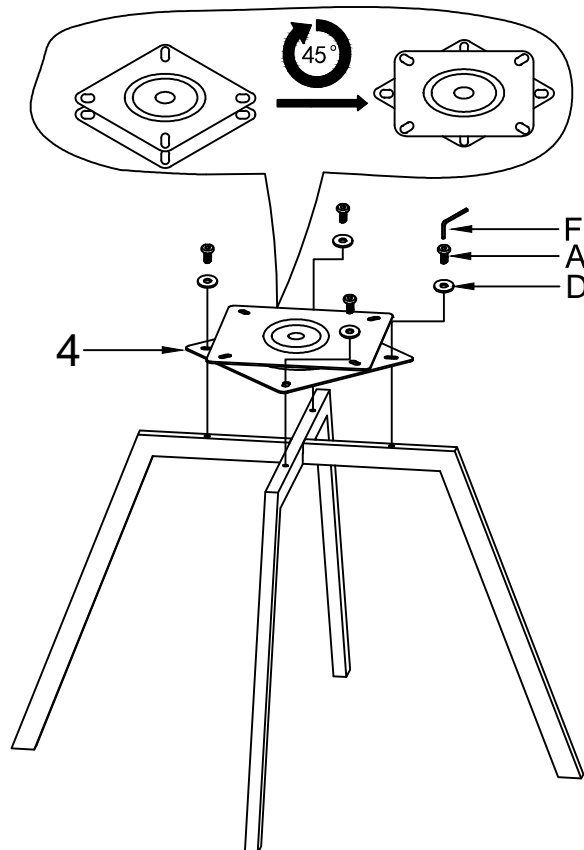
I.

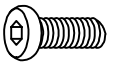

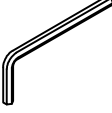

1



B	M6x13		4x
F	4MM		1x
G	T2.0x90x90		1x
			

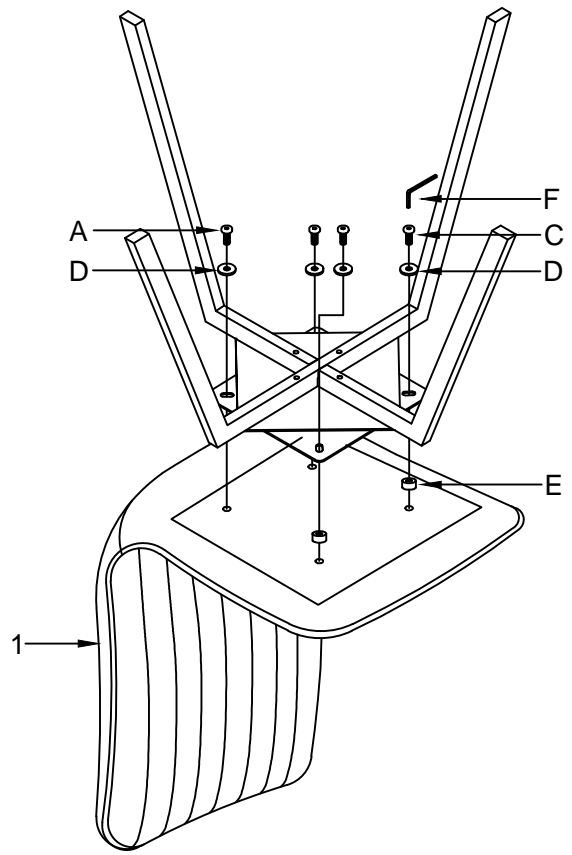
2

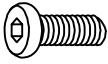



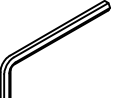



A	M6X20		4x
D	Ø18xØ6x1.5		4x
F	4MM		1x
			

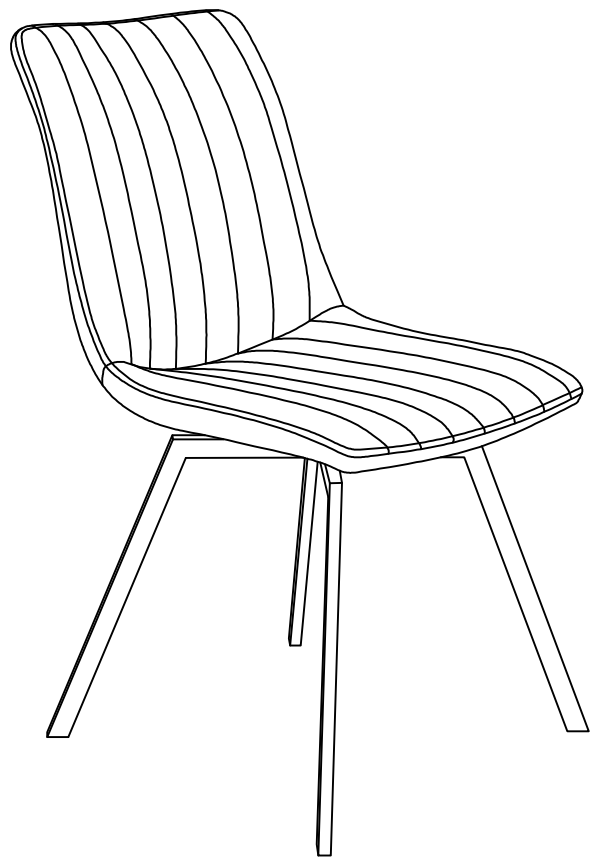
II.

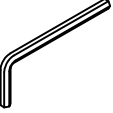
3



A	M6X20		2x
C	M6X30		2x
D	Ø18xØ6x1.5		4x
E	Ø18xØ8x10		2x
F	4MM		1x
			

4



F	4MM		1x
