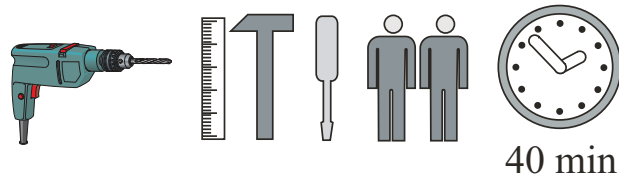
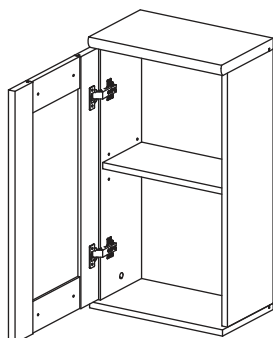
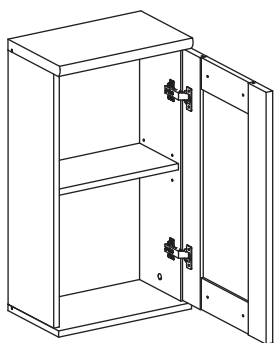
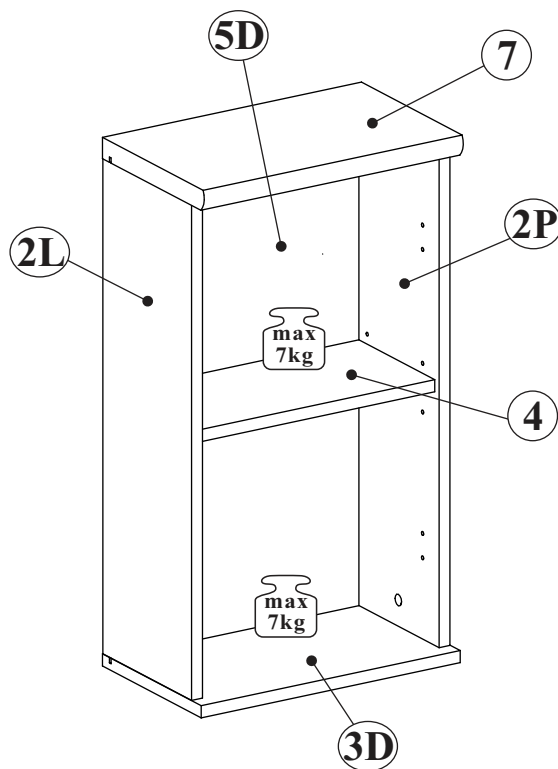
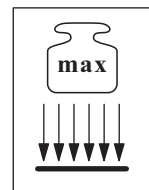
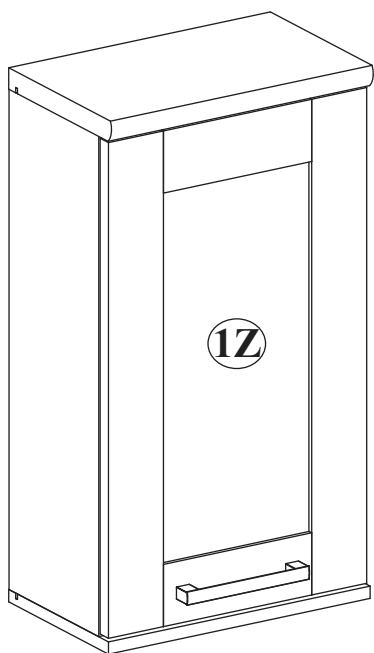


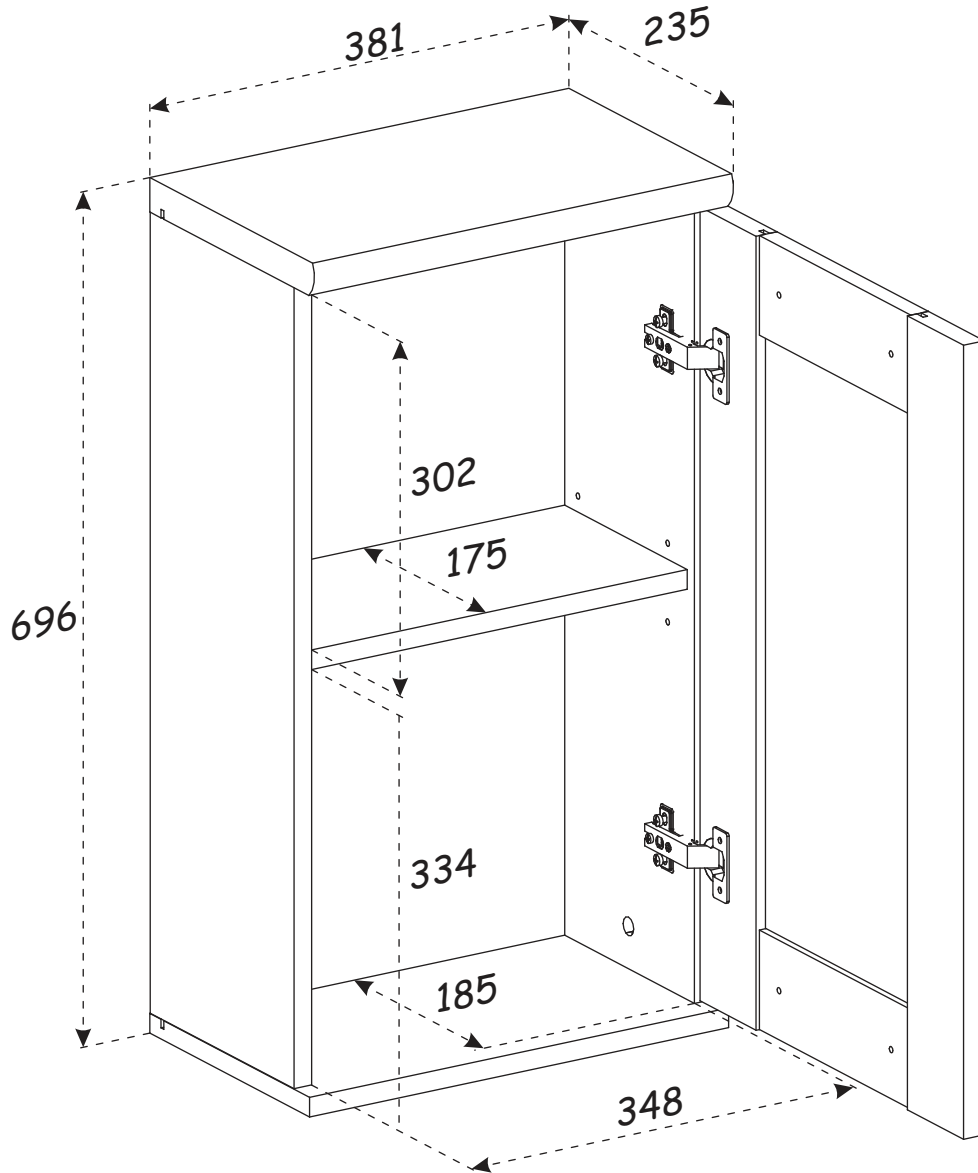
# BERGEN 71-046-\_\_-6





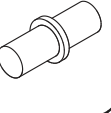

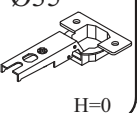
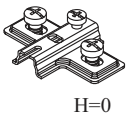

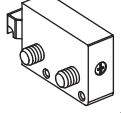
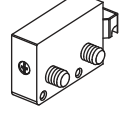
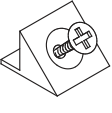
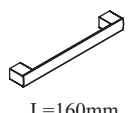


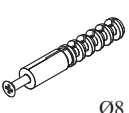
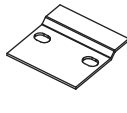
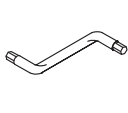



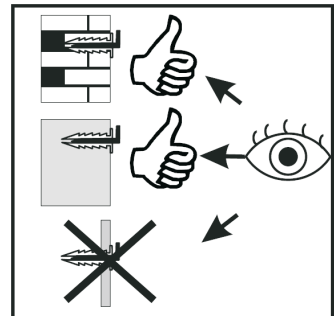
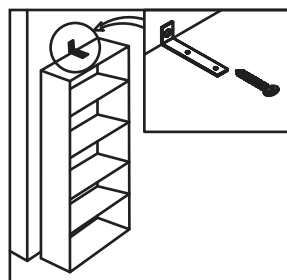
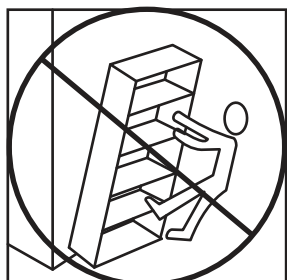
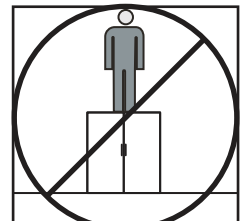
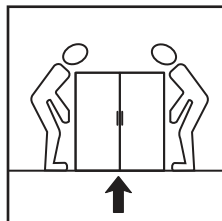
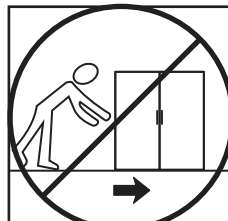
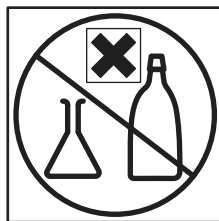
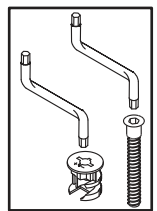
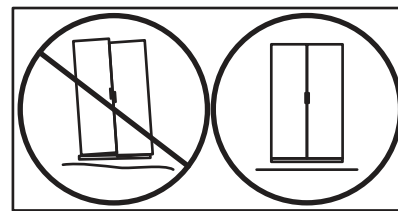
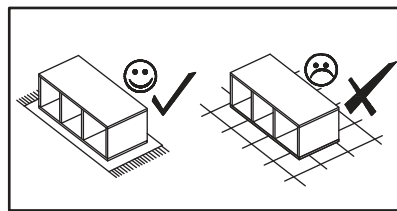
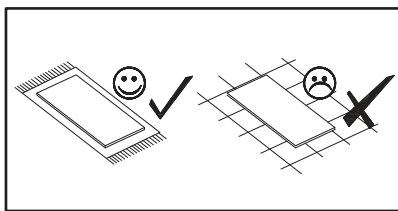
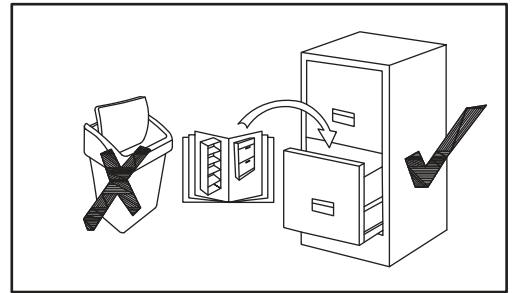
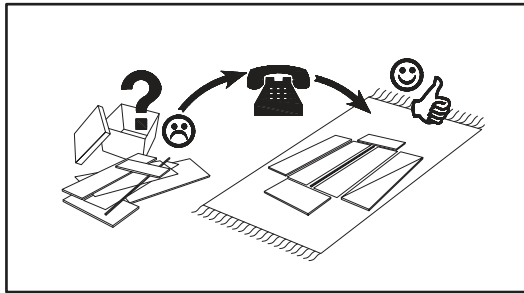
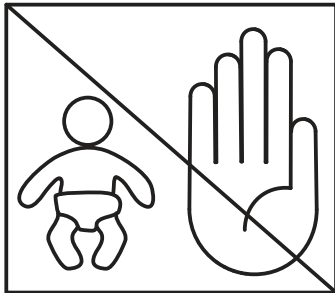
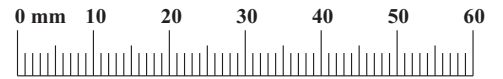
40 min

NO	Dim.			Col.-No	Qty
1Z	646	376	19	1	1
2L	652	205	16	1	1
2P	652	205	16	1	1
3D	381	228	16	1	1
4	348	175	16	1	1
5D	664	360	3	1	1
7	381	235	28	1	1

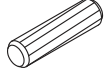
BERGEN 71-046-\_\_-6

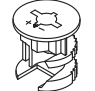


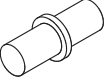
A1 x8  ø8x36	B4 x4 	B5 x4  ø15x12	G5 x4 	G7 x4 	Z2 x4  ø5
E21 x2  Ø35 H=0	E2 x2  H=0	D10 x4  USØ3,5x13	ZXL x1 	ZXP x1 	S1 x6 
CN1 x1  L=160mm	UP16 x2  UPØ4x35	D6 x4  USØ3,5x30	KR1 x4  Ø8	SZ7 x2 	G2 x1 
G12 x2  Ø14					

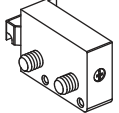


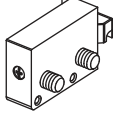
1


A1	
x8	ø8x36

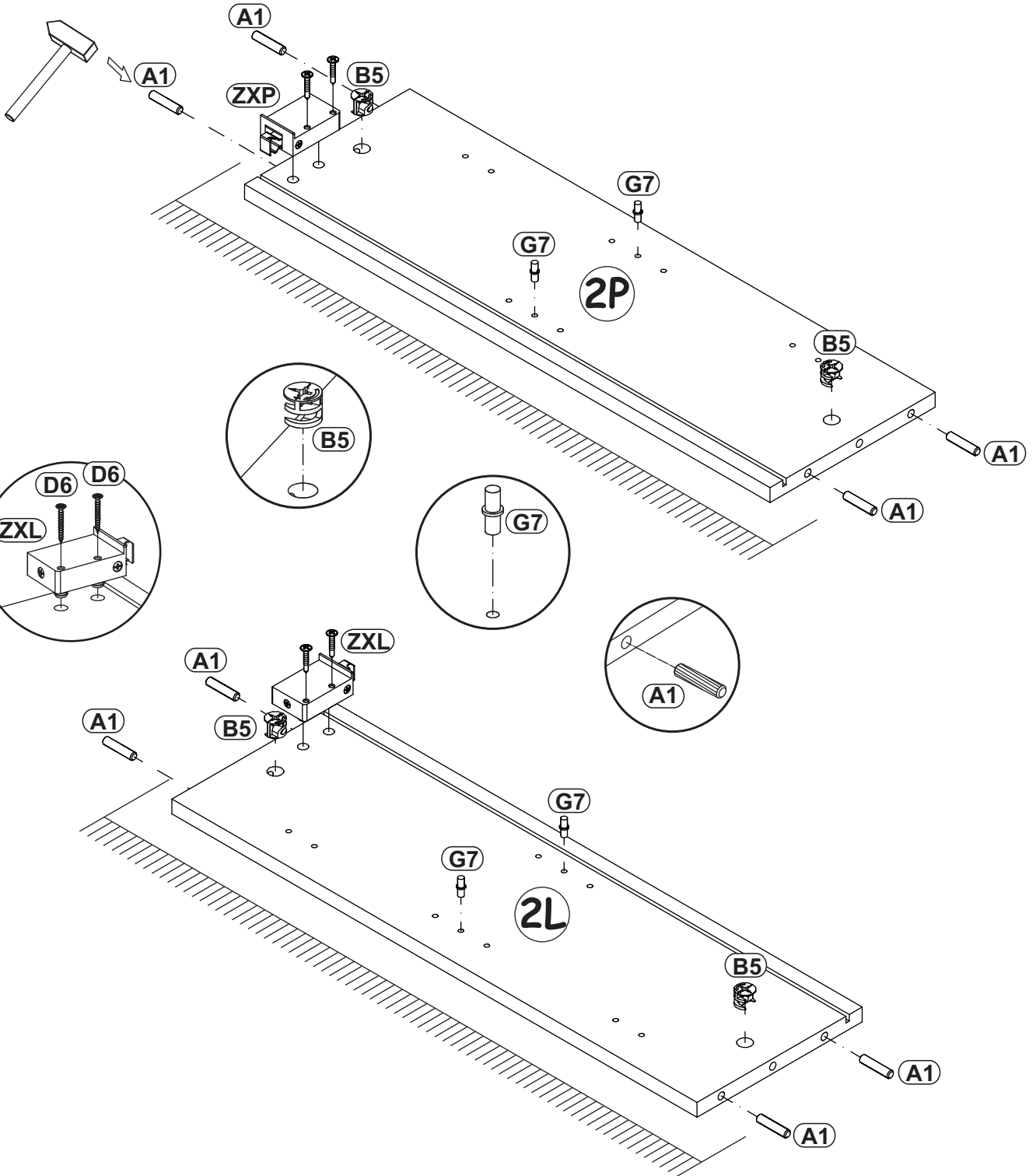
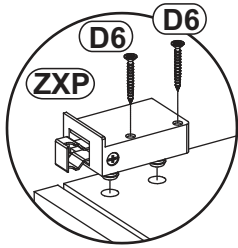
B5	
x4	ø15x12

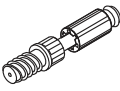
G7	
x4	

ZXL	
x1	

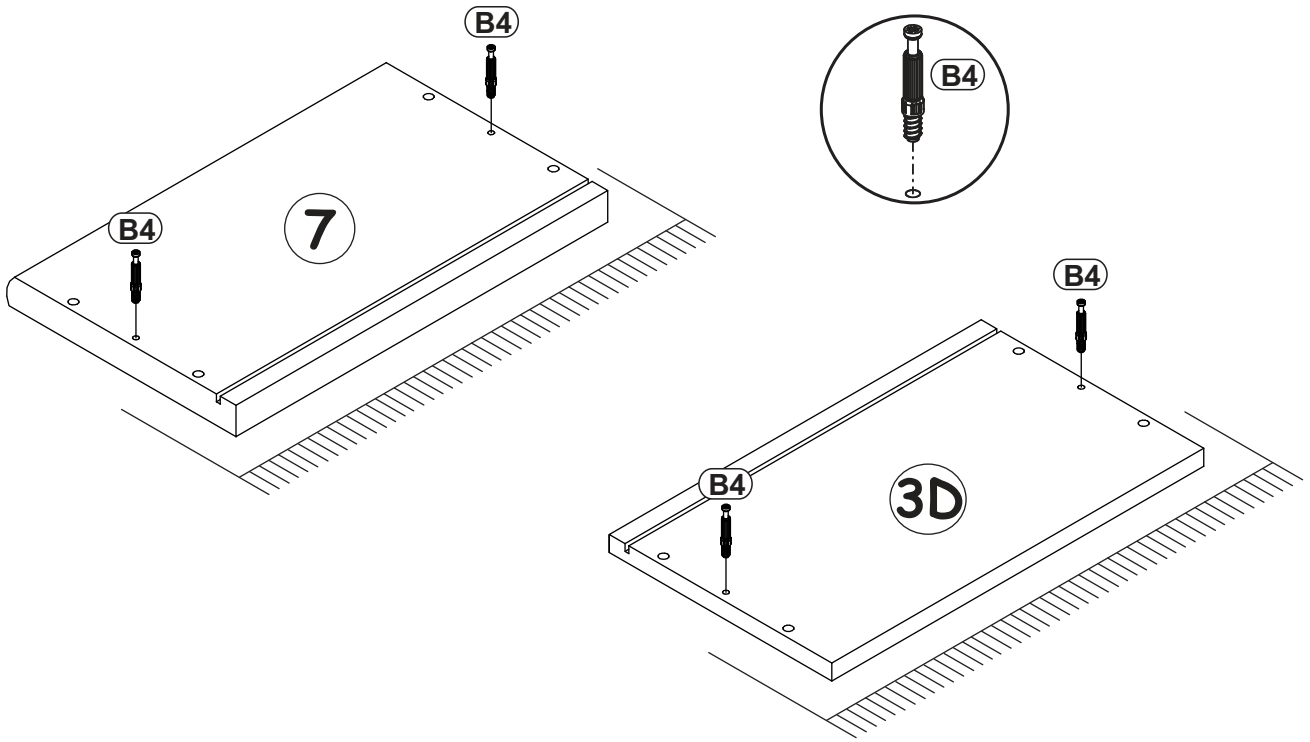
ZXP	
x1	

D6	
x4	USØ3,5x30

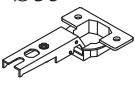



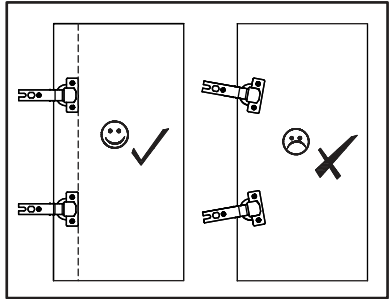
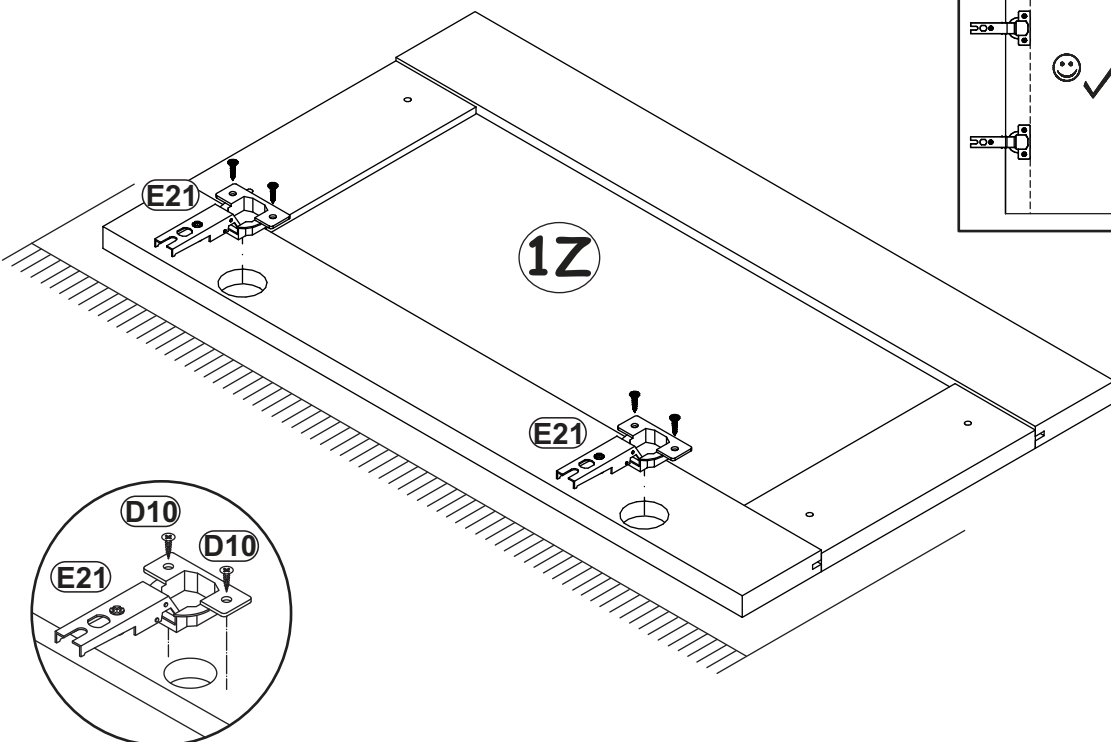
B4	
x4	

2



3

E21		Ø35	D10	
x2	H=0		x4	USØ3,5x13

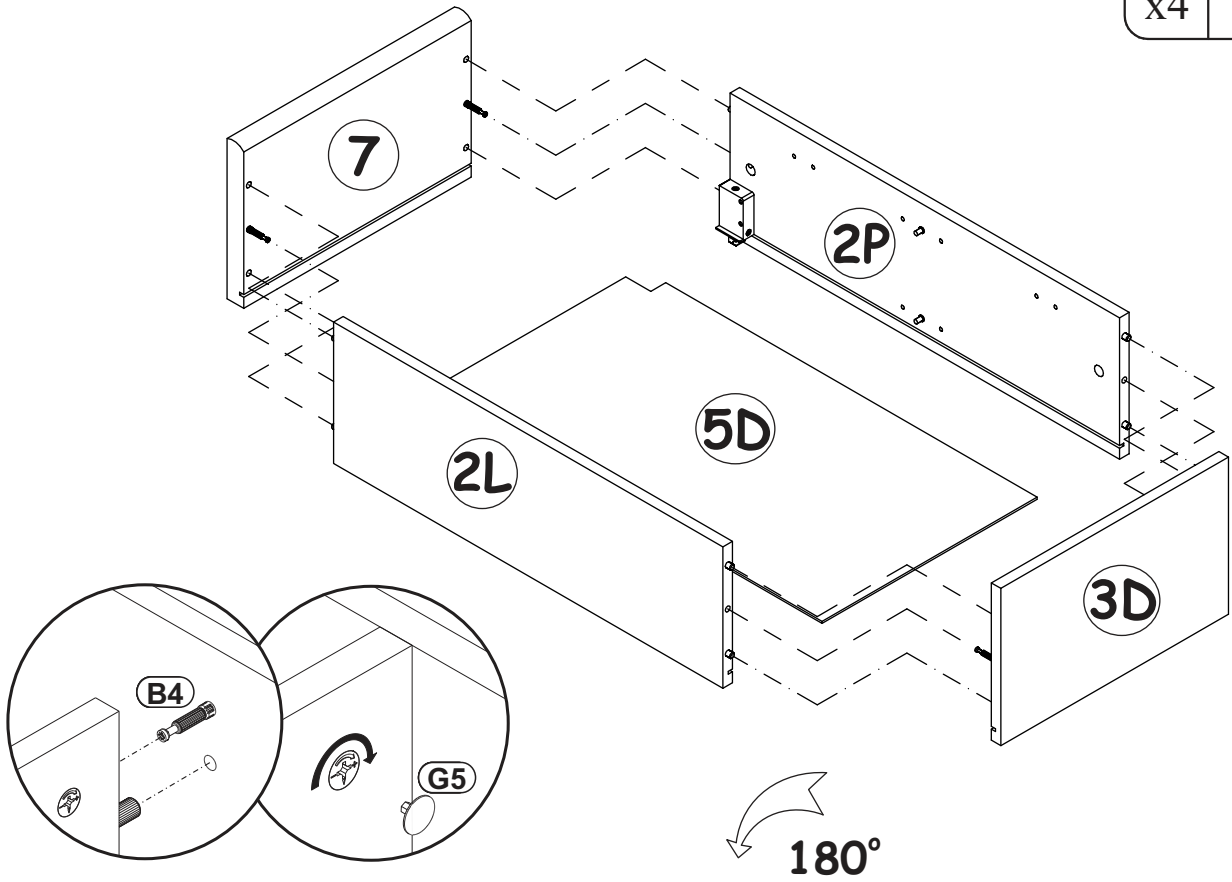


G5

x4



4



5

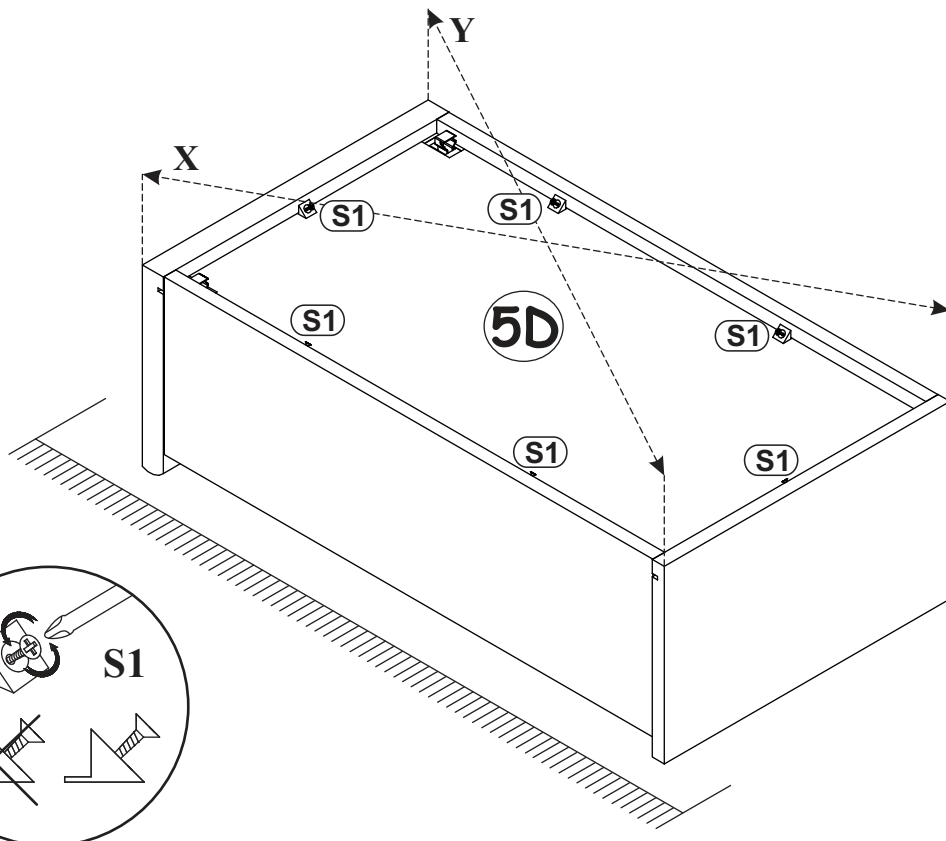
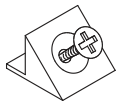


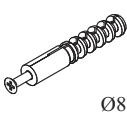
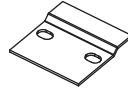
X=Y

90°

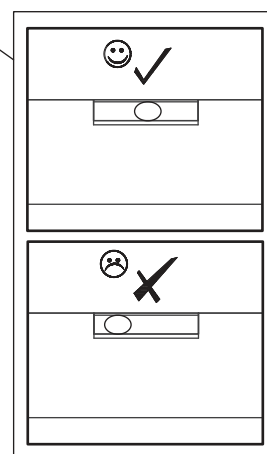
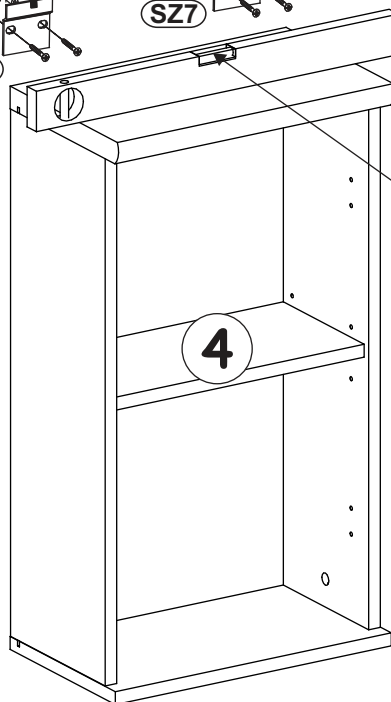
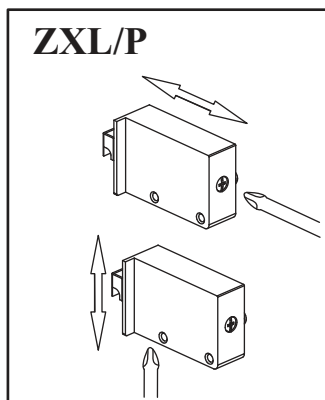
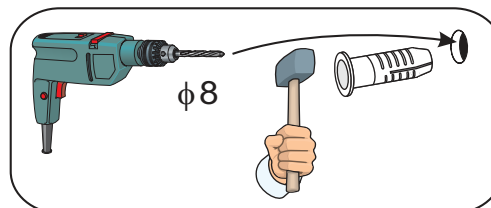
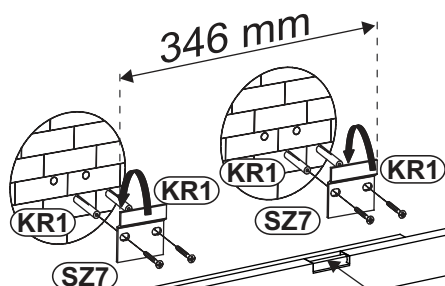
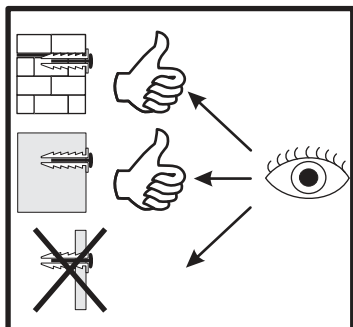
S1

x6

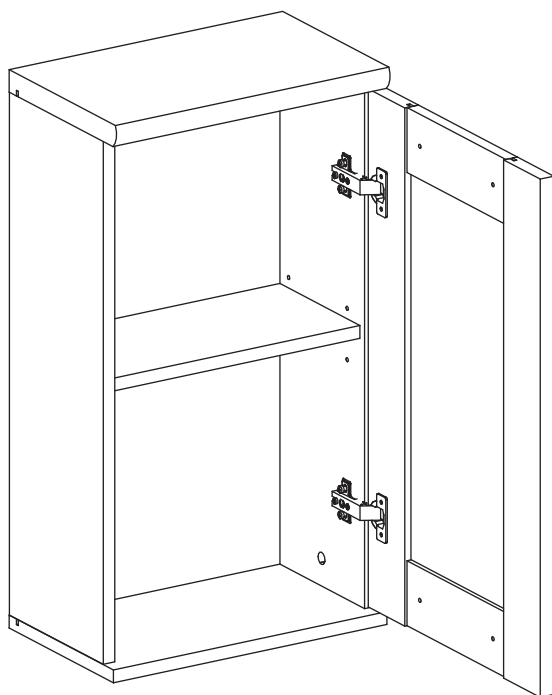


KR1		SZ7	
x4	Ø8	x2	

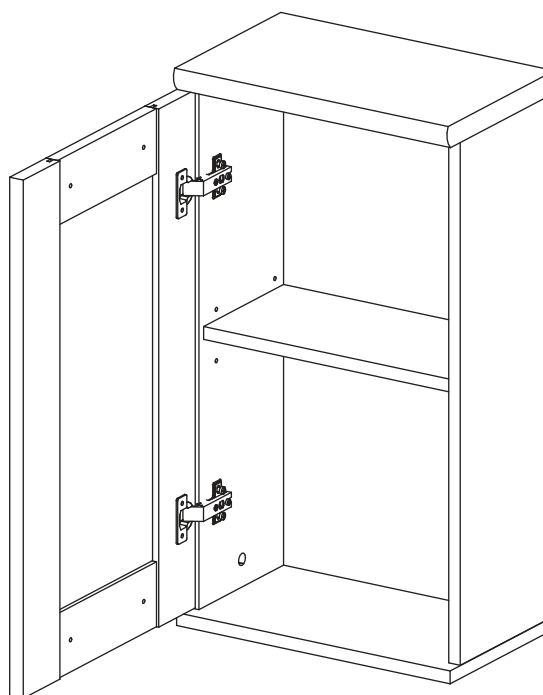
6

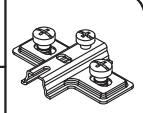



7-10

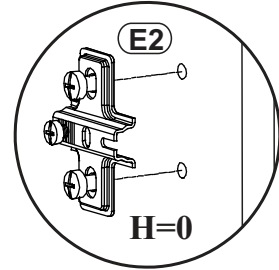
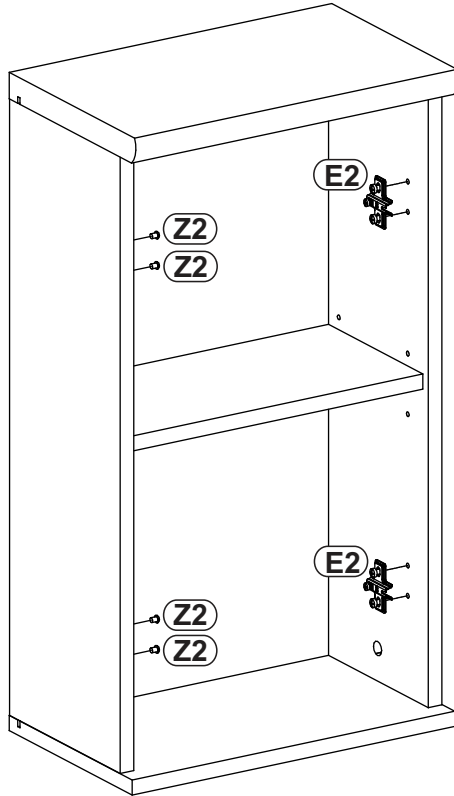
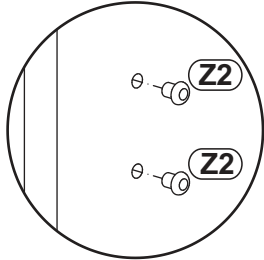
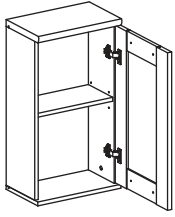


11-14

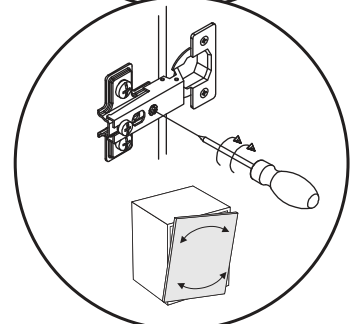
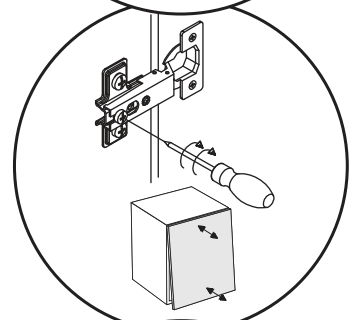
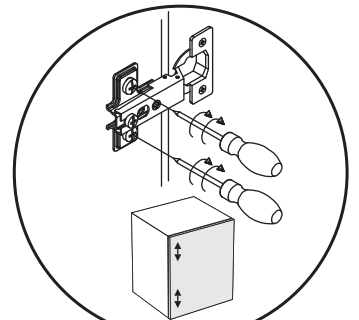
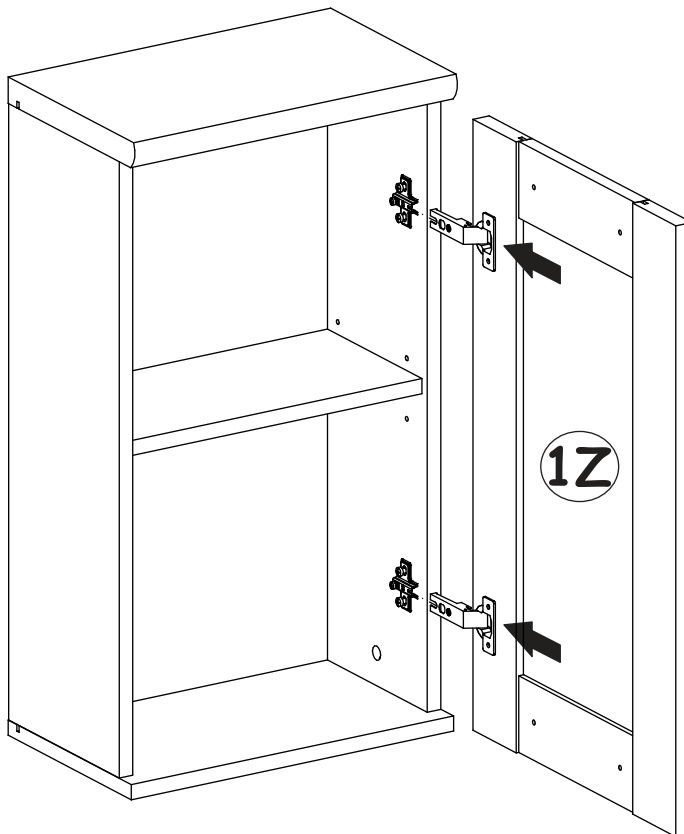


E2		Z2	
x2	H=0	x4	Ø5

7

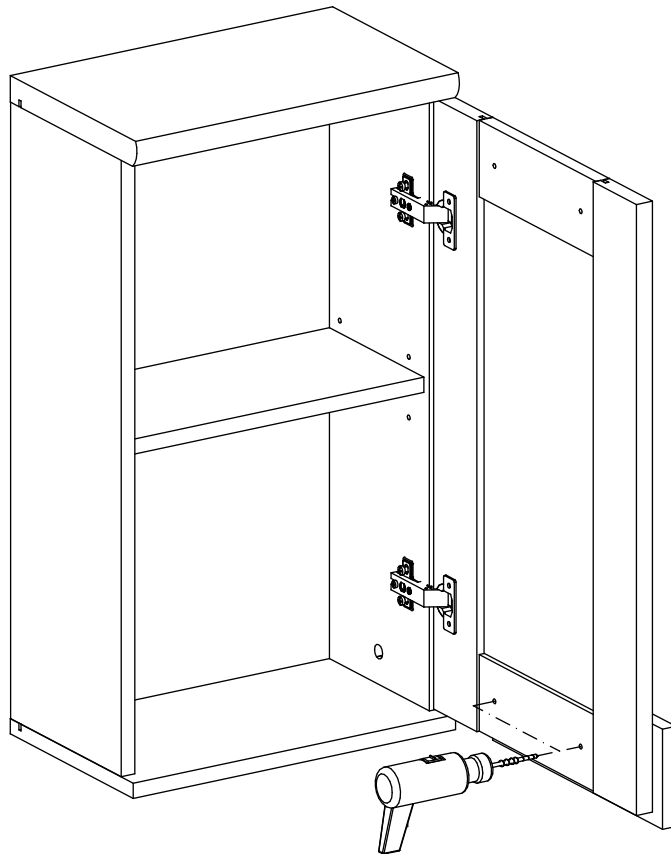
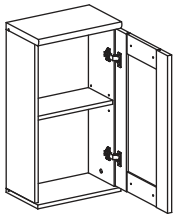


8



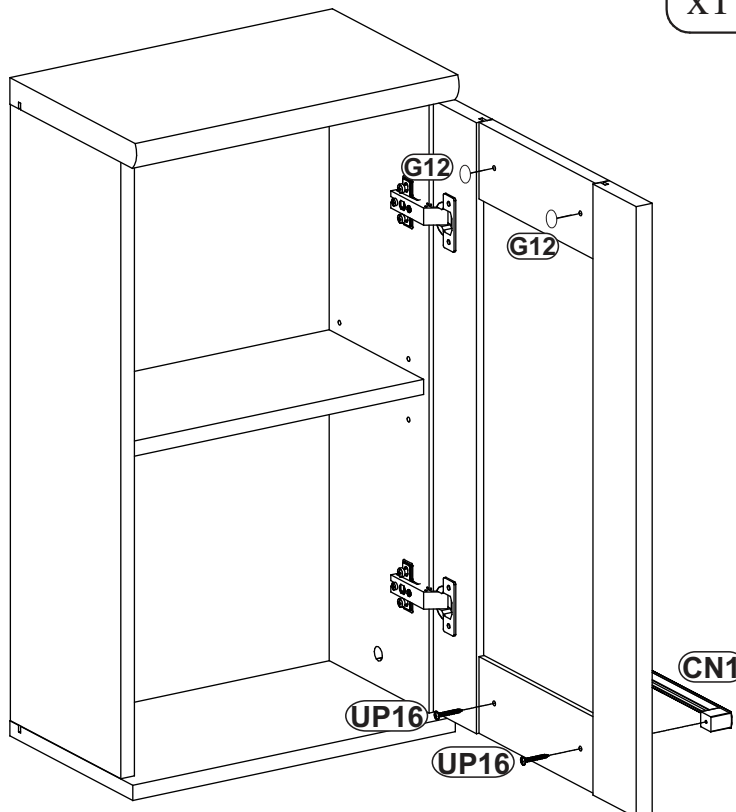


9

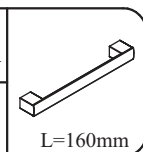


ø5!!!

10



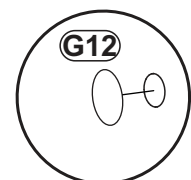
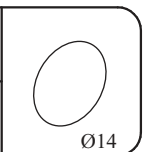
CN1  
x1

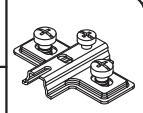



UP16  
x2

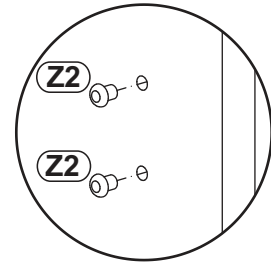
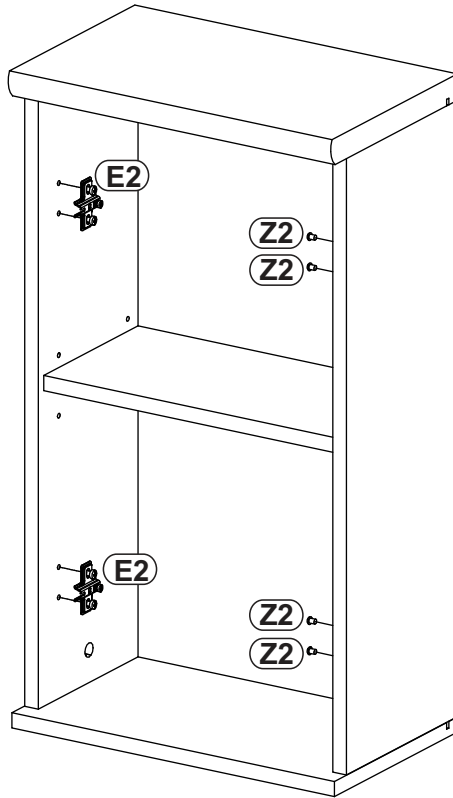
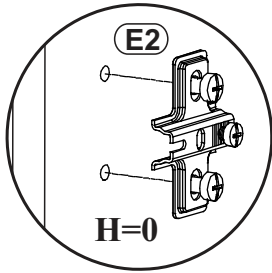
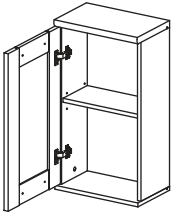


G12  
x2

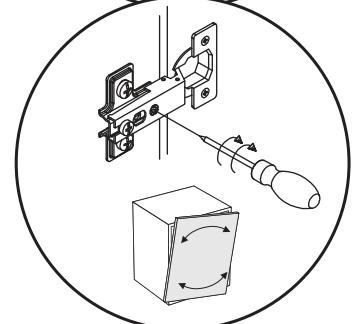
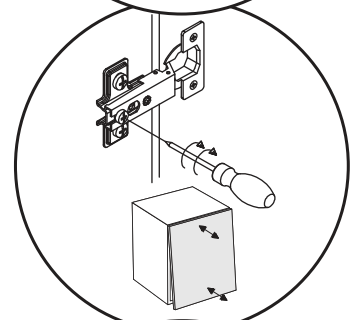
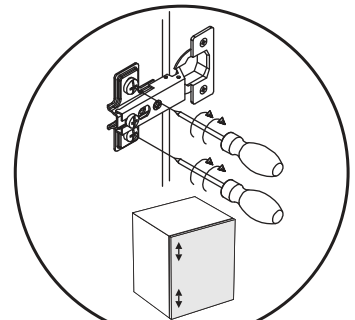
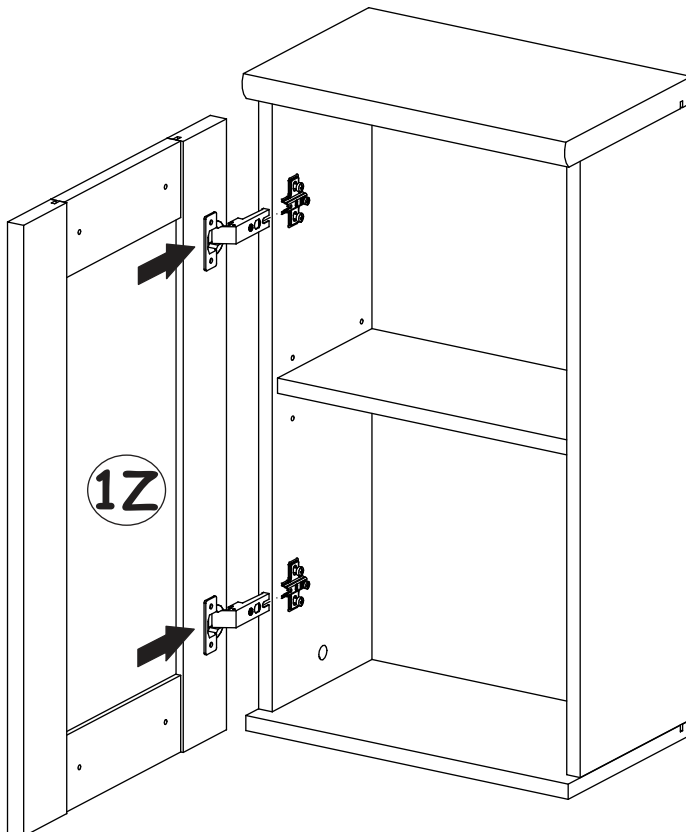


E4		Z2	
x2	H=2	x6	Ø5

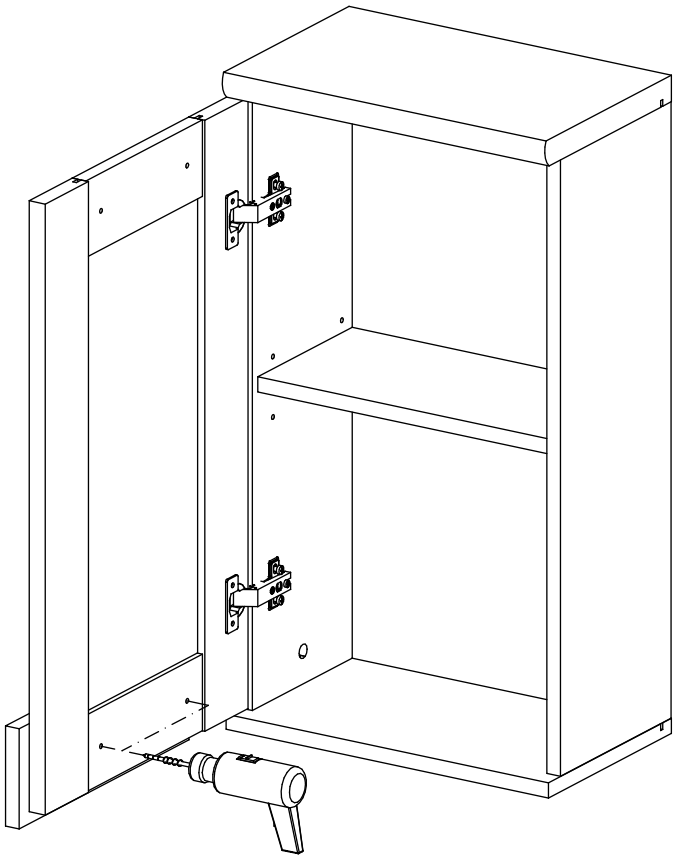
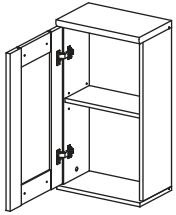
# 11



# 12



13



ø5!!!

14

CN1		UP16	
x1	L=160mm	x2	UPØ4x35

G12	
x2	Ø14

