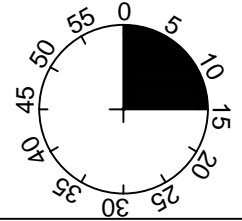
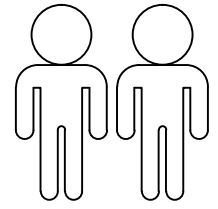
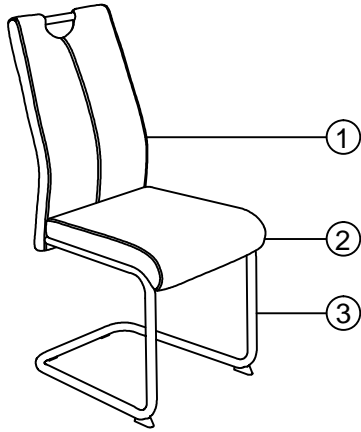


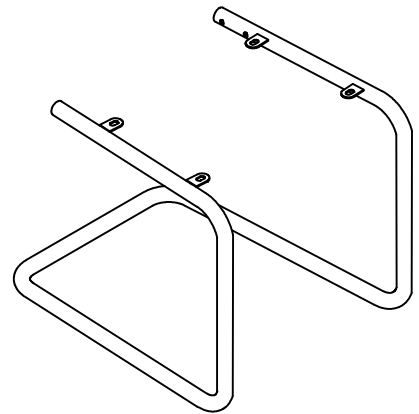
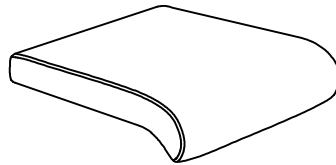
# Corinna



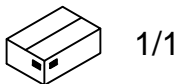
1

2

3



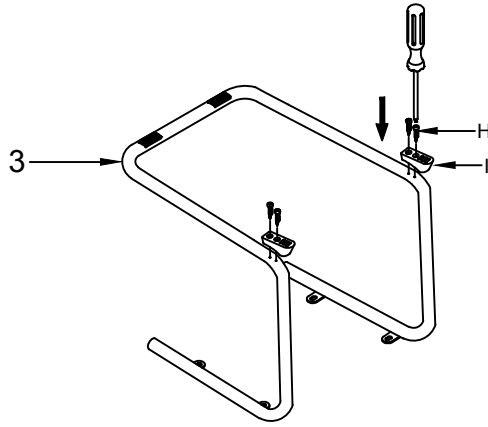
1	1 x
2	1 x
3	1 x



A	M6X20 4x	B	M8x20 4x	C	Ø18xØ8x1.5 4x	D	Ø18xØ6x1.5 4x	E	M8 4x	F	4MM 1x
G	6MM 1x	H	M4x20 4x	I	2x						

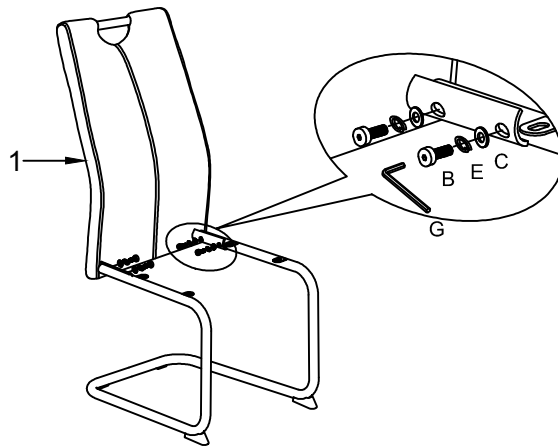
I.

1



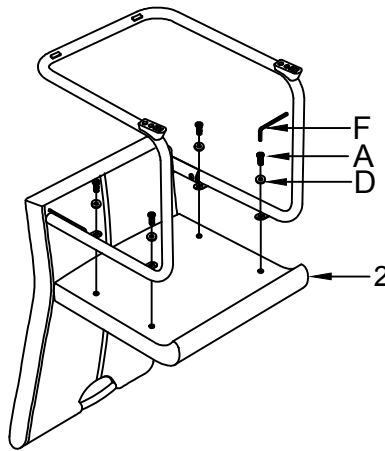
H	M4x20		4x
I			2x

2



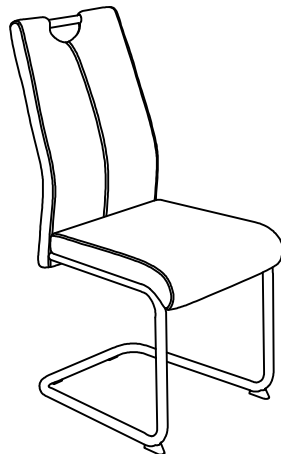
B	M8x20		4x
C	Ø18xØ8x1.5		4x
E	M8		4x
G	6MM		1x

3



A	M6x20		4x
D	Ø18xØ6x1.5		4x
F	4MM		1x

4



F	4MM		1x
G	6MM		1x



**LE TRI**  
**+ FACILE**



Séparez les éléments avant de trier