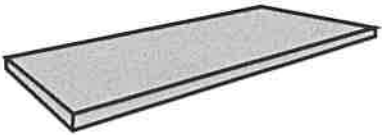
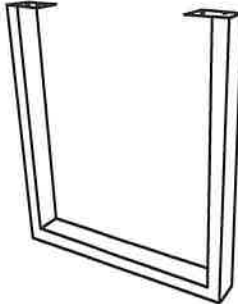

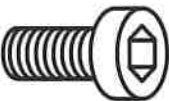


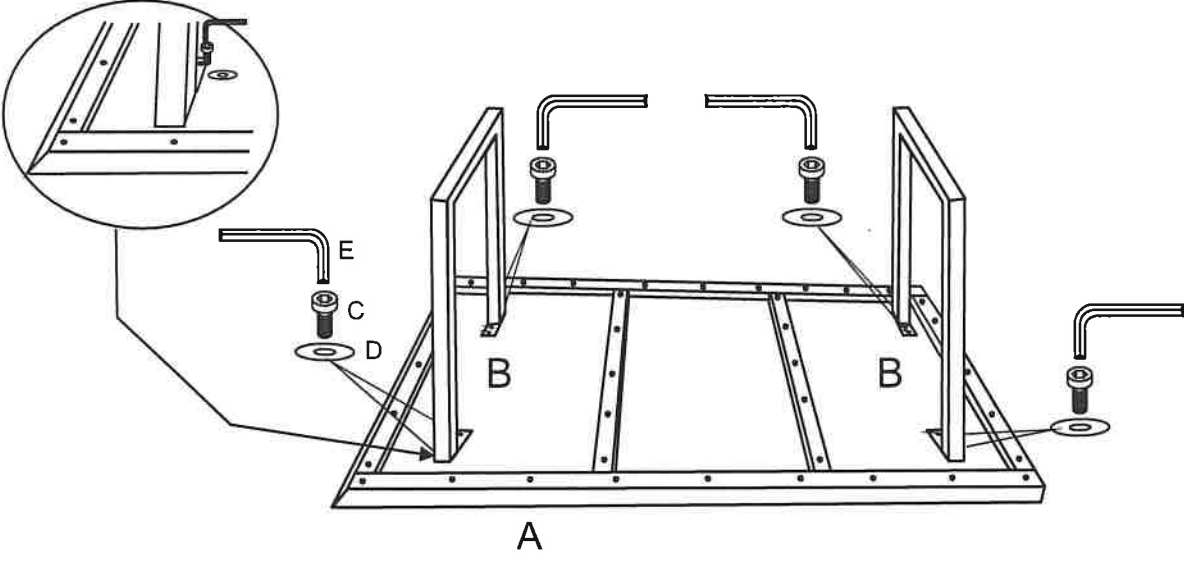



# ASSEMBLY INSTRUCTIONS

Art No.

<p>A</p>  <p>x1</p>	<p>B</p>  <p>x2</p>		
	<p>C</p>  <p>20MM NUT x8</p>	<p>D</p>  <p>20MM WASHER x8</p>	<p>E</p>  <p>x1</p>
 <p>A</p>			
			

THANKS FOR PURCHASE