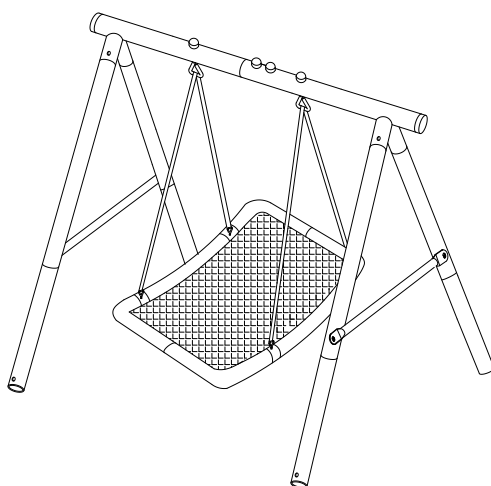




Assembly, Installation, Care, Maintenance and Use Instructions Magic Carpet Swing



Assembled Dimensions: 186x180x185cm

WARNING!

- **YOU MUST THOROUGHLY READ AND UNDERSTAND THE INSTRUCTIONS IN THIS MANUAL BEFORE ASSEMBLING AND USING THIS SWING.**
- **SAVE THIS MANUAL FOR FUTURE REFERENCE.**
- **THIS SWING IS INTENDED FOR USE BY CHILDREN AGED 3 YEARS AND OVER.**
- **MAXIMUM 2 USERS AT ANY ONE TIME.**
- **MAXIMUM SINGLE USER WEIGHT 45KG. MAXIMUM COMBINED USER WEIGHT LIMIT 90KG.**
- **THIS SWING IS DESIGNED TO BE ANCHORED INTO THE GROUND AND MUST NOT BE USED WITHOUT ANCHORING IN PLACE.**
- **THIS SWING MUST NOT BE SET UP ON ANY HARD SURFACES SUCH AS CONCRETE, HARDENED SOIL OR ASPHALT.**
- **CHILDREN MUST ALWAYS BE SUPERVISED BY A RESPONSIBLE ADULT.**
- **DO NOT USE DURING INCLEMENT WEATHER (I.E. RAIN, SNOW, SLEET, ICE, HIGH WINDS, THUNDER STORMS OR LIGHTNING).**
- **DO NOT CLIMB ON, JUMP ON OR HANG FROM ANY PART OF THE FRAME.**
- **FOR OUTDOOR DOMESTIC USE ONLY.**

Zero Gravity
Unit 19 Mayfield Avenue Industrial Park, Fyfield Road, Weyhill,
Hampshire, SP11 8HU, United Kingdom

For Customer Service, please call 01264 771247

or visit

www.ZeroGravityTrampolines.com

Table of contents

| | |
|-------------------------------------|----|
| Before you start to assemble | 1 |
| Before using the swing..... | 1 |
| Important Safety Instructions | 3 |
| Parts list..... | 5 |
| Assembly Instructions | 6 |
| Anchoring Instructions | 15 |
| Care & maintenance | 17 |
| Disposal instructions | 17 |
| Product Warranty | 18 |

Before you start to assemble

- Carefully read all instructions in this manual before assembling and using this product.
- Check the contents of your package against the parts list in this guide. If any parts are missing please contact Zero Gravity customer services for assistance.
- If any parts are missing or damaged do not erect or use the swing until replacement parts have been received.
- When choosing the location for your swing please ensure that the area is completely flat and level. The swing must be placed more than 2 metres from any structures or obstructions including, but not limited to, buildings, fences, garages, trees, laundry lines, and electrical wires. Remove any trip hazards from the safe swing area, such as roots, tree stumps, rocks, landscaping, sprinkler heads, plumbing and electrical connections. Adequate overhead clearance is essential. A minimum of 2.5 metres from ground level is recommended. Provide clearance for wires, tree limbs, and other possible hazards.
- Install the swing over shock absorbing material that is at least 9 inches (23cm) deep such as wood chips, mulch, shredded rubber, sand or pea gravel (for equipment no more than 5 feet high). Dirt and grass, which are the most common surfaces under home playground equipment, do not adequately protect children from serious head injuries. Install protective surfacing at least six feet in all directions from play equipment. For this magic carpet swing, the surface should extend, in back and front, 360cm (twice the height of the swing).
- Windy conditions: it is possible for the product to be blown about by a high wind. If you anticipate high winds, you should check that the swing is secured to the ground properly with the use of an anchor kit. If you anticipate severe winds, the product should be moved to a sheltered location or completely disassembled.
- Two adults are required to erect the swing.
- We recommend wearing heavy duty work gloves and eye protection when assembling the swing.
- Do not modify the design of the product in any way nor use non-original Zero Gravity parts.
- Do not use the swing until it is fully assembled and properly anchored.
- The packaging does contain some small parts which are a choking hazard for small children. It is therefore recommended that children under the age of 3 years should be kept away when the swing is being assembled.
- Ensure that you keep this instruction manual for future reference.

Tightening nuts & bolts

- For ease of installation, do not over-tighten the nuts and bolts when you are first putting the equipment together. This will allow for some possible adjustments during installation.
- Once you have finished assembling the swing, make sure you go back over each step and properly tighten all nuts and bolts and close plastic caps. Check the entire unit to ensure all parts are properly assembled and securely anchor the swing before allowing children to use the equipment.

Before using the swing

- Use of this swing requires constant adult supervision. Children should only use the swing with responsible **ADULT** supervision.
- Ensure that the swing has been assembled correctly as per the instructions in this manual, all nuts and bolts are tightened and the swing is securely anchored.

- This product is designed to be used by up to two (2) children 3 and over. Maximum user weight is 45kg (maximum combined user weight 90kg).
- Warning: Not suitable for children under 36 months - falling hazard.
- This product is for household and family domestic use only – It is not for use in schools, playgrounds, rental or commercial use.
- It is of particular importance to follow the maintenance instructions at the beginning of every season. Neglecting regular maintenance can lead to a risk for users.

Important Safety Instructions



Carefully read these warnings before using this product. Failure to follow these warnings can result in serious injury or death.

DANGER

- **DO NOT** allow more than two children to play on the swing at any one time.
- **DO NOT** allow children to stand on the swing seat.
- **DO NOT** allow children to walk too close to moving parts. **ALWAYS** keep a safe distance to avoid being struck by other children while playing on the swing.
- **DO NOT** allow children to twist the swing chains or loop them over the top support bar as this may reduce the strength of the chain.
- **DO NOT** swing empty seats as this may cause injuries.
- **ALWAYS** guide children to sit in the centre of the swing with their full weight placed in the seat centre and holding on to the swing chains.
- **DO NOT** allow children to jump off the equipment while it is in motion. **ALWAYS** come to a full stop before dismounting.
- **ALWAYS** dress children appropriately for proper play, e.g. wear well-fitted rubber sole shoes, and remove loose or sharp items such as jewellery, hair accessories, and scarves which may become entangled in the equipment or cause injuries.
- **ALWAYS** make sure children remove their bike or other sports helmets before playing on the swing.
- **DO NOT** allow children to climb on structural parts (e.g. legs, top bar). These are structural components and are not designed for play.
- **ALWAYS** check the swing seat or other parts exposed to the body for extreme heat from the sun before allowing children to use the equipment.
- **NEVER** allow children to disembark from the play equipment whilst it is still in motion.
- Ensure that children are not facing the sun whilst using the equipment.
- **ALWAYS** prevent access and secure from any unauthorised use when there is no adult supervision.
- **DO NOT** allow pets or other animals near the equipment to prevent damage or injuries.
- Adequate overhead clearance is essential. A minimum of 2.5 metres from ground level is recommended. Provide clearance for wires, tree limbs, and other possible hazards.
- If you see any worn, defective or missing parts please contact Zero Gravity customer services to order replacement parts.
- **DO NOT** use this equipment if the swing seat is wet. Use the swing only when the parts are clean and dry. If the equipment is wet, the user could slip and suffer injuries.
- **DO NOT install swing over hard surface, e.g. asphalt, concrete, packed earth, tile or brick floor. A fall onto a hard surface can result in serious injury or death to the user.**
- The following is a list of recommended ground covers:

| <u>SUGGESTED MATERIAL</u> | <u>UNCOMPRESSED DEPTH</u> |
|----------------------------|---------------------------|
| Double Shredded Bark Mulch | 9" (22.8cm) |
| Uniform Wood Chips | 12" (30.5) |
| Fine Gravel | 12" (30.5) |
| Fine Sand | 12" (30.5) |
- Install protective surfacing at least six feet in all directions from play equipment and maintain safe depth of material as outlined above. For this magic carpet swing, the surface should extend, in back and front, 360cm (twice the height of the swing).

Inspection prior to each use or daily inspection

- **DO NOT** use the equipment if any bolts or nuts are missing or loose. **ALWAYS** check to ensure the equipment and all parts are well secured and stable before each use.
- **ALWAYS** clear the area of any rocks, sharp objects, or any materials that could be potentially hazardous to users.
- Check that your chosen protective ground covering is maintained at a safe depth (at least 9 inches) and top up/redistribute as necessary before using equipment.
- **DO NOT** attach items to the equipment that are not specifically designed for use with the equipment, including, but not limited to, jump ropes, clotheslines, pet leashes, cables and chains, or any other swings as they may cause choke hazards and the product is not designed for any of these components.
- The steel, fabric and plastic parts used in your product are subject to normal wear. Gradual deterioration of the material will occur, the speed of which will depend on the level of exposure to UV rays, airborne pollution, outdoor weather conditions such as rain and wind and the amount of use. You must inspect the equipment prior to every use. This includes, but is not limited to, inspecting the equipment for cracks, excess wear, missing parts, loose connections, and for overall integrity. When the equipment shows any signs of weakness, you must stop using the swing immediately, properly store the equipment or restrict access by users until the condition is resolved.
- Verify that the suspended chains are secured at both ends and tightened so that there are no loose chains hanging which could result in a choking hazard.

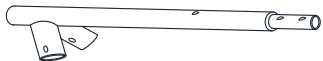




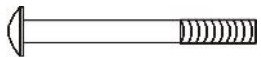
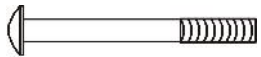

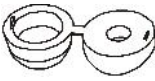

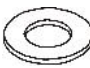
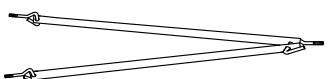

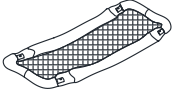
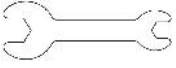

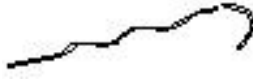
For replacement parts call Zero Gravity customer services on 01264 771247 or visit www.ZeroGravityTrampolines.com



Anchoring

- This product **MUST** be anchored into the ground to prevent movement and to make the swing more stable during use.
- It is highly recommended that you seek the opinion from a local licensed contractor on the best way to secure the swing in your location. The best way to anchor a product is to create a concrete footing and use that as a base for an anchor. Whatever method you prefer for your location, an anchoring system for this product should be used at all times.

Parts list

| Part Number | Image | Description | Quantity |
|-------------|--|--------------------------------------|----------|
| A1 |  | Left Top Bar | 1 |
| A2 |  | Right Top Bar | 1 |
| A3 |  | Upper Support Leg | 4 |
| A4 |  | Lower Support Leg | 4 |
| A5 |  | Cross Bar | 2 |
| B1 |  | Bolt (68mm) | 4 |
| B2 |  | Bolt (63mm) | 6 |
| B3 |  | Nylon Nut 5/16" | 16 |
| B4 |  | Plastic Cap (with Arc Washer) | 12 |
| B5 |  | 5/16" Arc Washer | 10 |
| B6 |  | 5/16" Flat Washer | 4 |
| R1 |  | PVC Covered Chain | 2 |
| R3 |  | Magic Carpet Tube with Foam | 2 |
| R4 |  | Magic Carpet Mat with Tubes and Foam | 1 |
| T1 |  | Spanner | 1 |
| T2 |  | Allen Key | 1 |
| T4 |  | Anchor Peg | 4 |

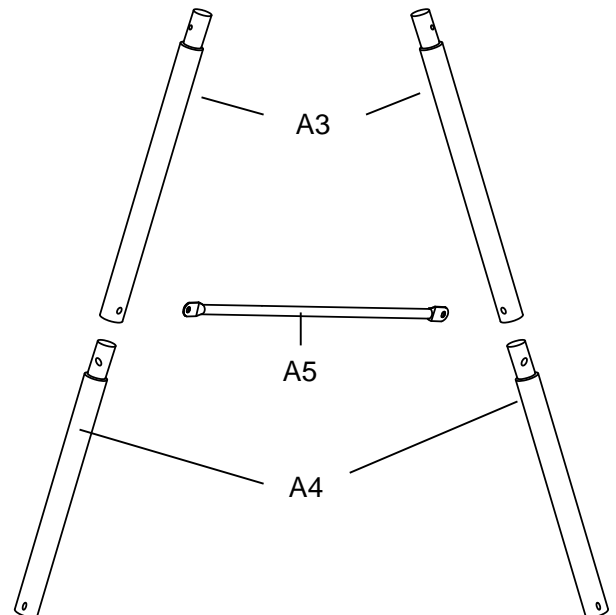
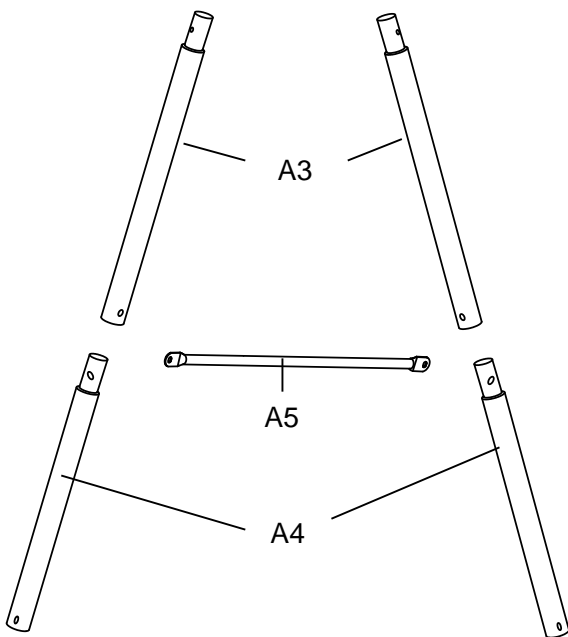
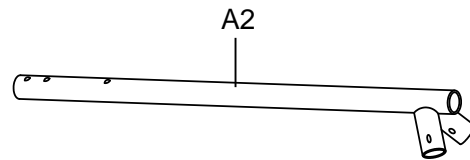
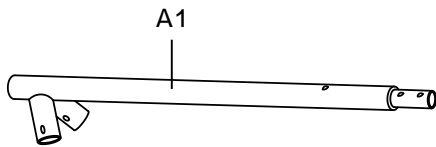
Assembly Instructions

STEP 1 – LAY OUT FRAME

Note:

Lay out all of the components and check parts against parts list before you begin assembling.

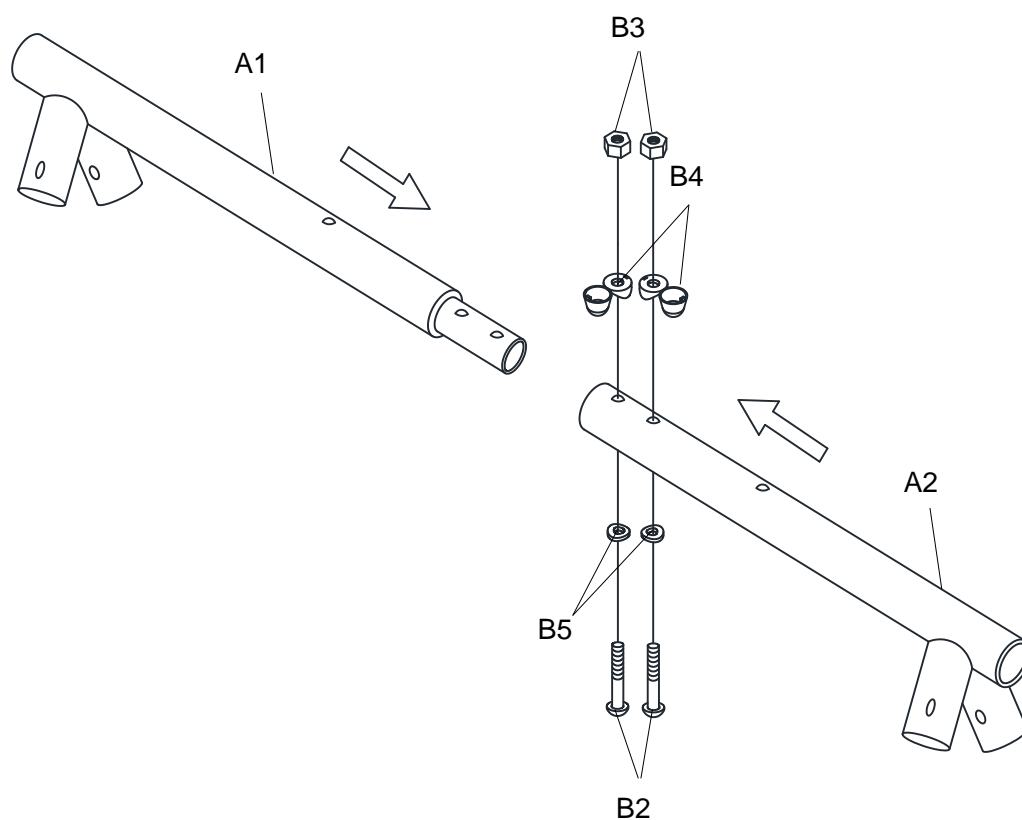
DO NOT continue assembly if parts are missing or damaged. Pack swing away and call customer services.



STEP 2 – ASSEMBLE TOP BAR

Note:

Push two sections of top bar (A1 & A2) together and align holes. Secure with bolts, nuts and washers using the tools provided (T1 & T2).



Tip:

Do not over tighten nuts and bolts at this stage.

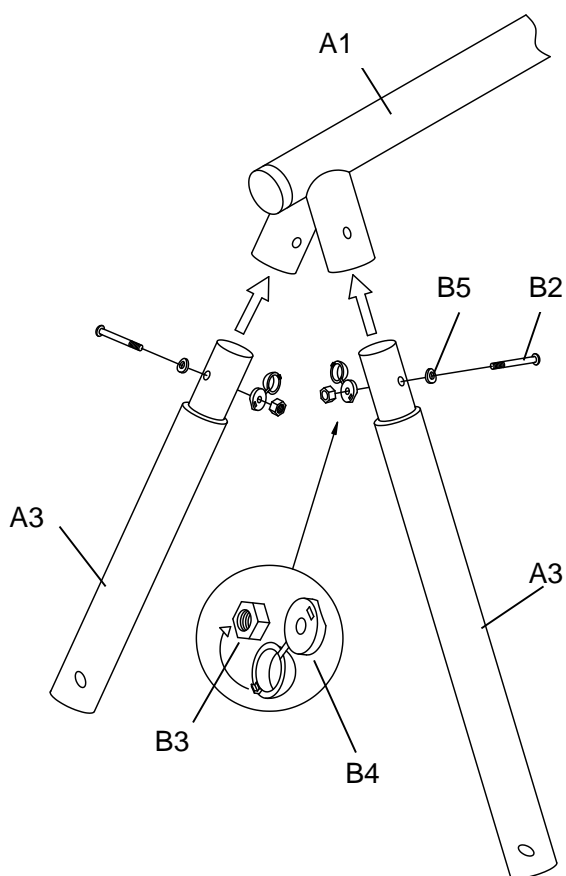
Do not close plastic caps yet.

You will do this once the swing is completely assembled.

STEP 3 – ATTACH UPPER SUPPORT LEGS

Note:

Slide upper support leg (A3) into top bar and secure with nut, bolt, washer and plastic cap. Repeat 3x for remaining upper support legs.



Tip:

Do not over tighten nuts and bolts at this stage.

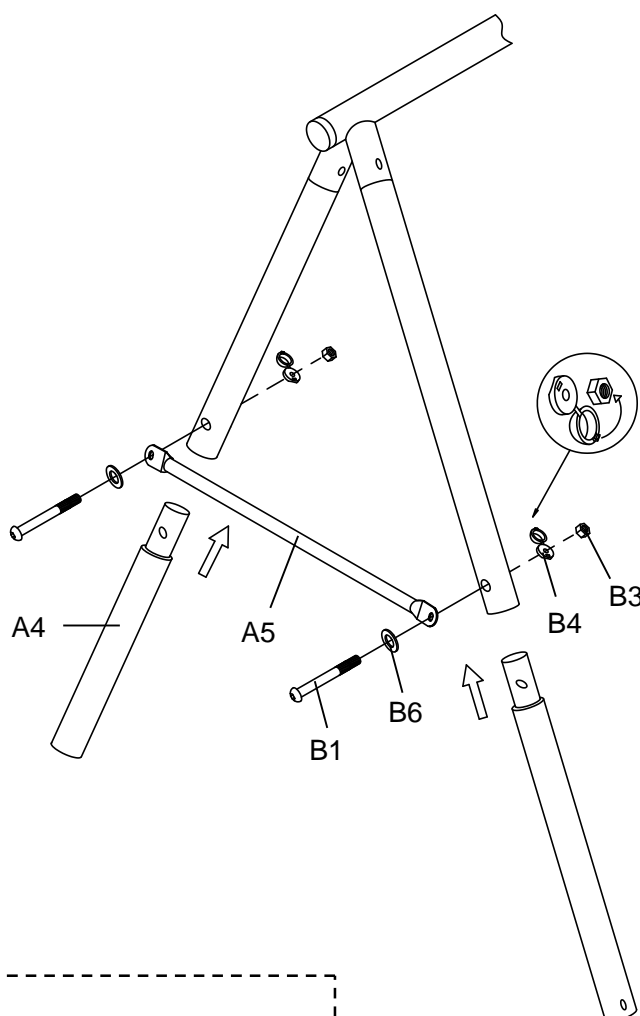
Do not close plastic caps yet.

You will do this once the swing is completely assembled.

STEP 4 – ATTACH LOWER SUPPORT LEGS & CROSS BAR

Note:

Slide 2x lower support legs into the upper support legs. Place cross bar in position pictured ensuring the holes are aligned. Secure with nuts, bolts, washers and plastic caps. Repeat once more for lower legs on other side of frame.



Tip:

You may have to push the lower support legs outwards in order to line up the crossbar properly.

Tip:

Do not over tighten nuts and bolts at this stage.
Do not close plastic caps yet.
You will do this once the swing is completely assembled.

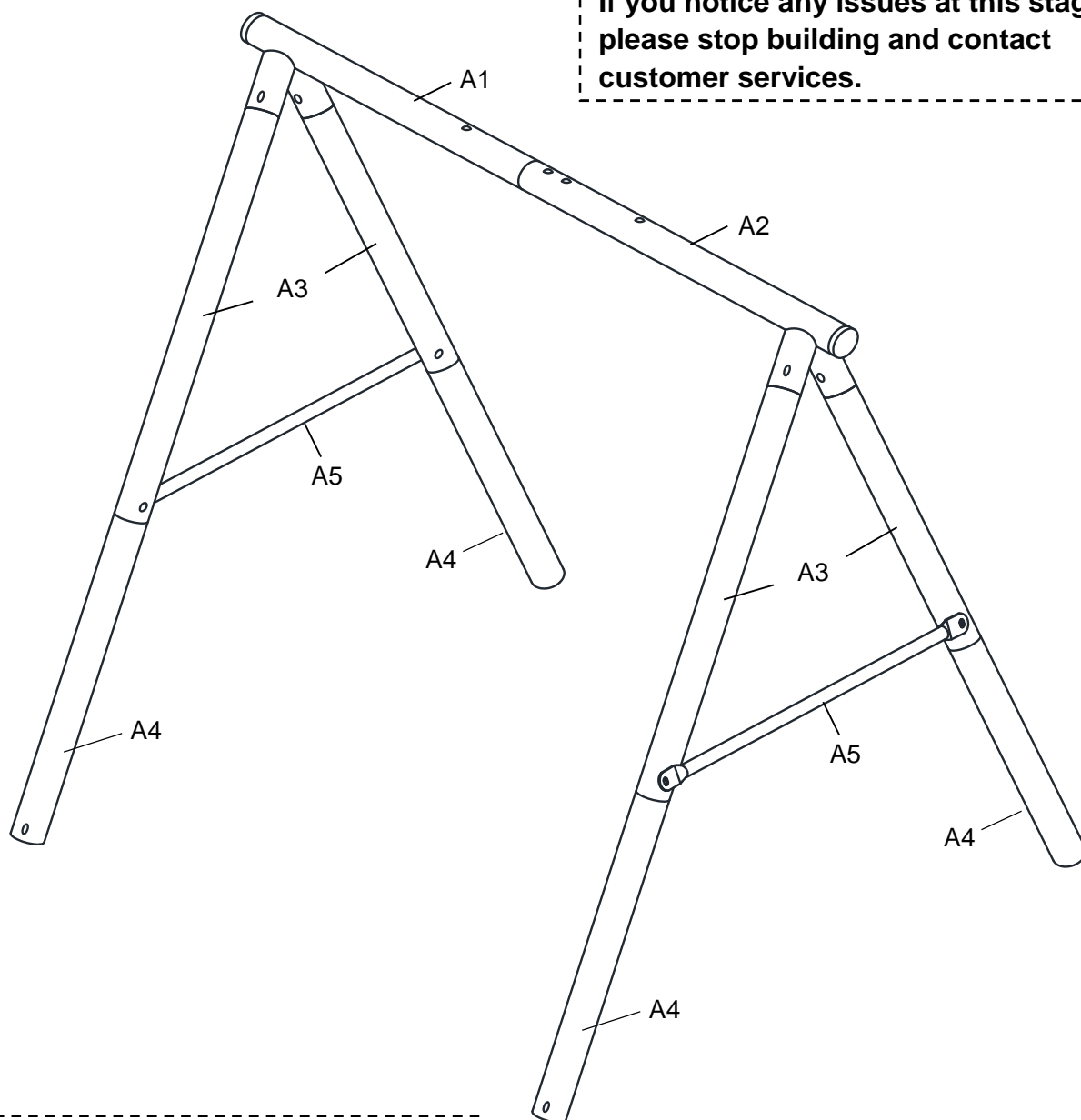
COMPLETE LOOK OF ASSEMBLED FRAME

Note:

The completed frame should look as pictured.

All holes should be aligned and no components should be twisted.

If you notice any issues at this stage please stop building and contact customer services.



Note:

The frame will still be a bit loose at this stage but don't worry, once the swing is fully assembled you will go back over the frame and tighten all nuts and bolts.

Tip:

Do not over tighten nuts and bolts at this stage.

Do not close plastic caps yet.

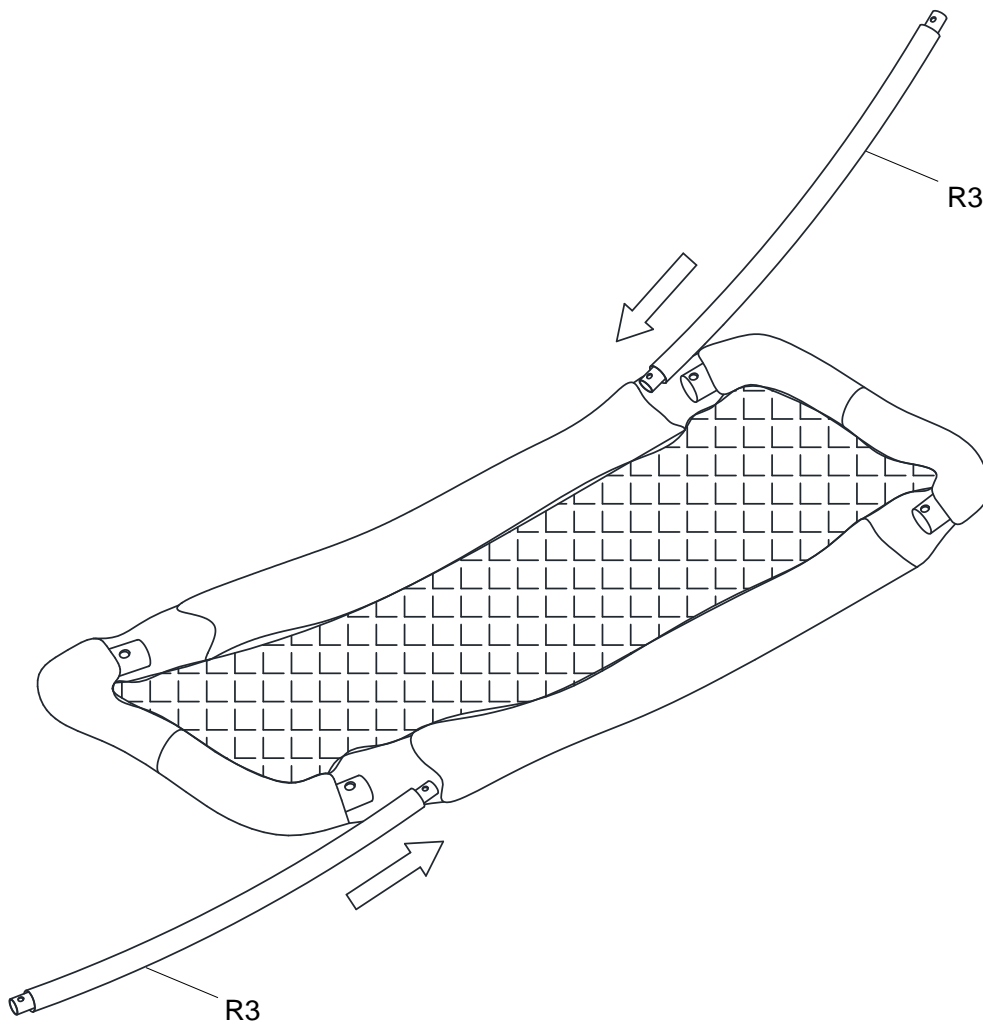
You will do this once the swing is completely assembled.

STEP 5 – MAGIC CARPET SWING SEAT ASSEMBLY

Note:

Lay out magic carpet mat so that the small holes on the tubes are facing downwards and the logo is on top of the mat.

Slide 2x magic carpet tubes with foam (R3) into the empty sleeves as pictured. Connect tubes at the corners by sliding the ends together.



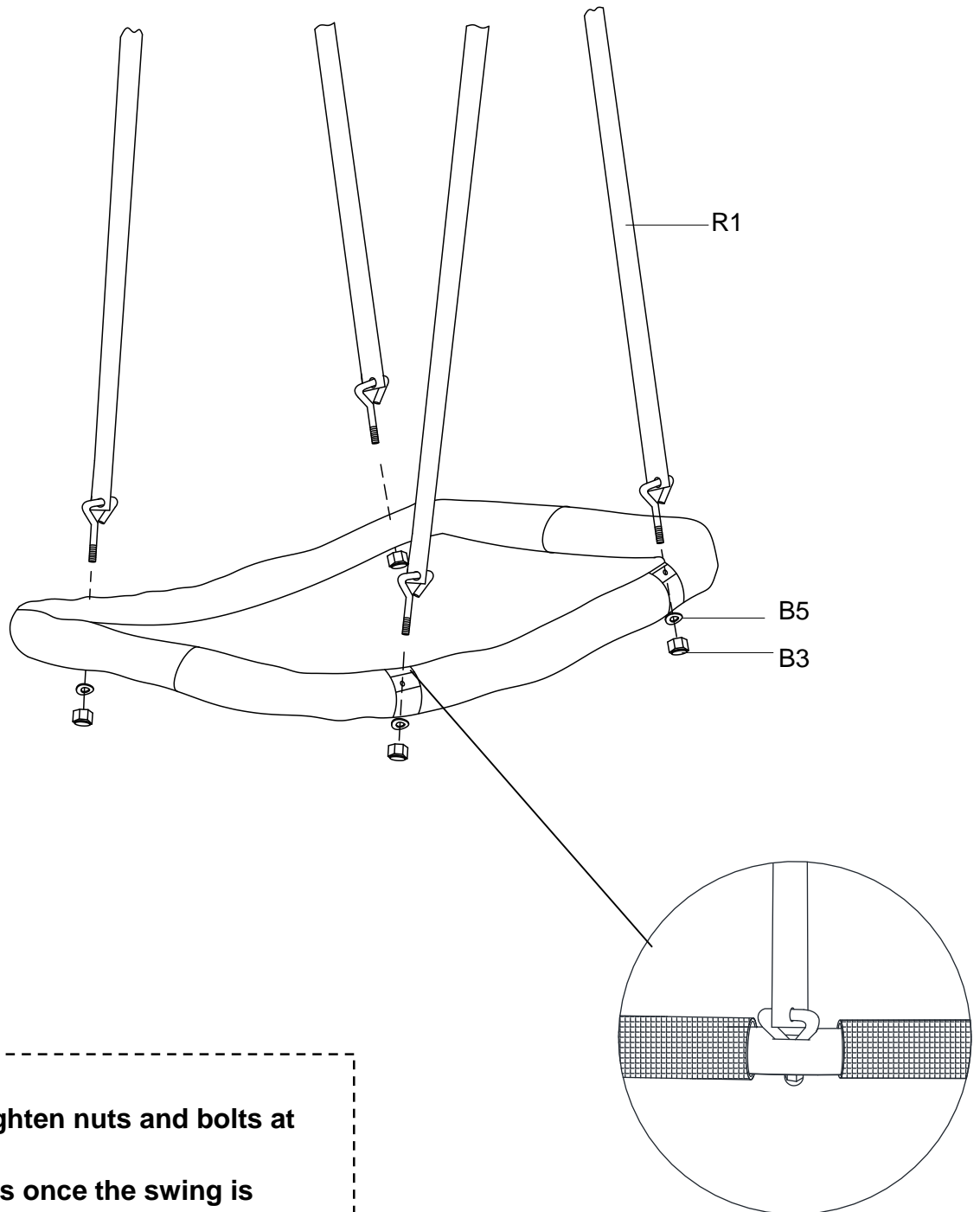
STEP 6 – ATTACH CHAINS TO MAGIC CARPET

Note:

Ensure PVC covered chain is untangled and hanging straight before attaching to magic carpet.

Attach end of chain to the magic carpet frame by placing through large hole on top of frame and securing underneath with nut and washer as pictured.

Repeat 3x for remaining chains.



Tip:

Do not over tighten nuts and bolts at this stage.

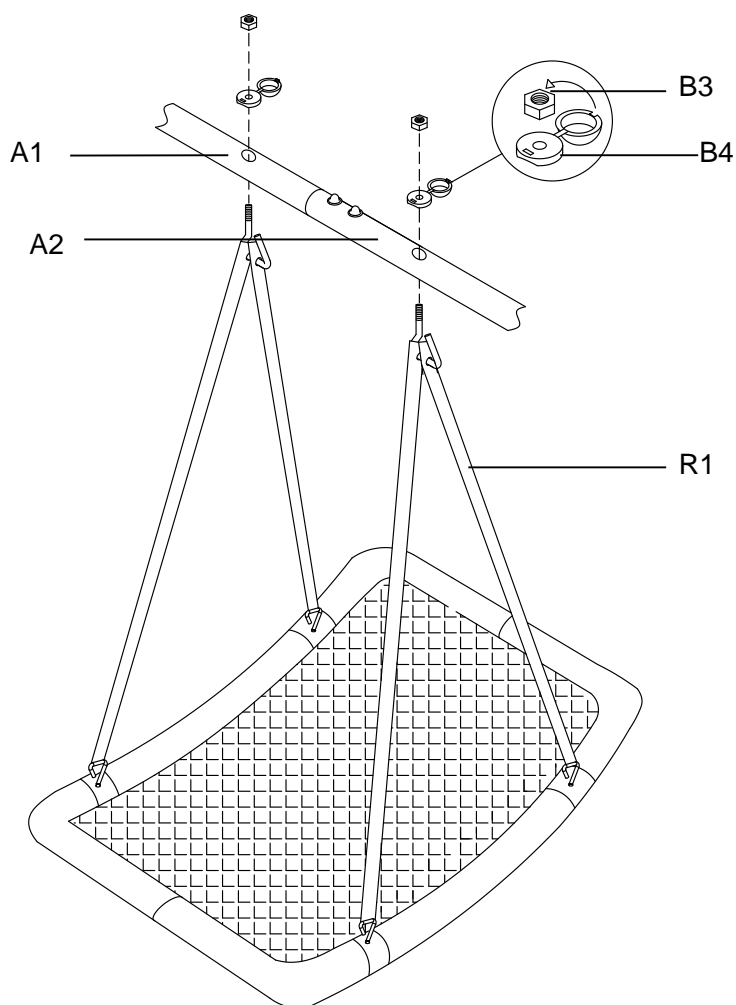
You will do this once the swing is completely assembled.

STEP 7 – ATTACH MAGIC CARPET TO FRAME

Note:

Ensure PVC covered chain is untangled and hanging straight before attaching to frame.

Attach chain underneath top bar as pictured and secure with nut and plastic cap. Repeat step for remaining chain.



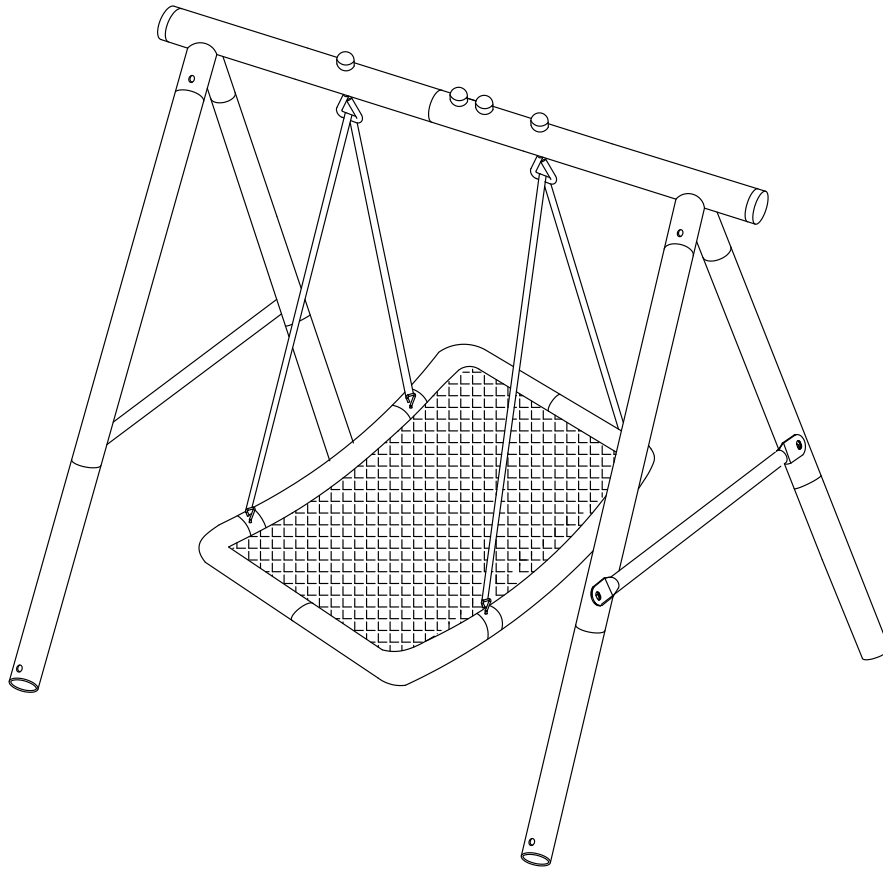
Tip:

Do not over tighten nuts and bolts at this stage.

Do not close plastic caps yet.

You will do this once the swing is completely assembled.

You have now completed assembly of your Magic Carpet Swing!



Important

Once you have finished the assembly of the swing go back over all of the nuts and bolts and properly tighten them. Close all plastic caps and then follow steps to securely anchor the swing.

Anchoring Instructions



Please properly anchor the magic carpet swing to minimize the risk of injury.

If the magic carpet swing is used without proper anchoring, it may be dangerous and may tilt over.

There are different ways of anchoring the swing, depending on the type of ground on which the swing is to be installed. Make sure that all anchors are below ground level to prevent tripping.

You should consult your local contractor to decide the most appropriate way to anchor the swing in your location.

The following anchoring options may be considered

Using the anchor kit included

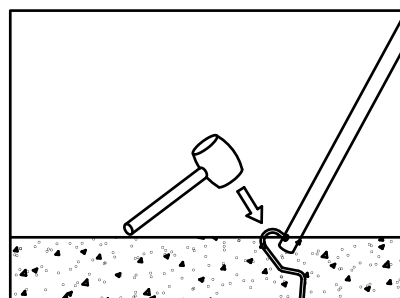
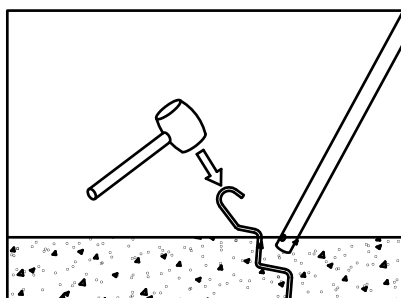
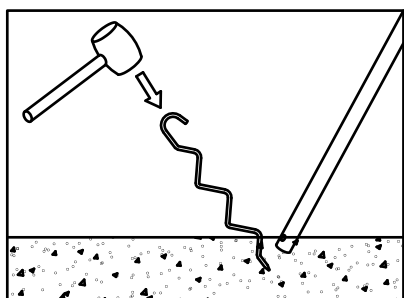
If your soil is hard (clay, etc.), the corkscrew method may be suitable.

Be sure that the swing set is located on level ground.

Twist the anchor peg (T4) into the ground until only the end with the hook is above the ground and next to the leg. Insert the hook into the bottom opening of the leg.

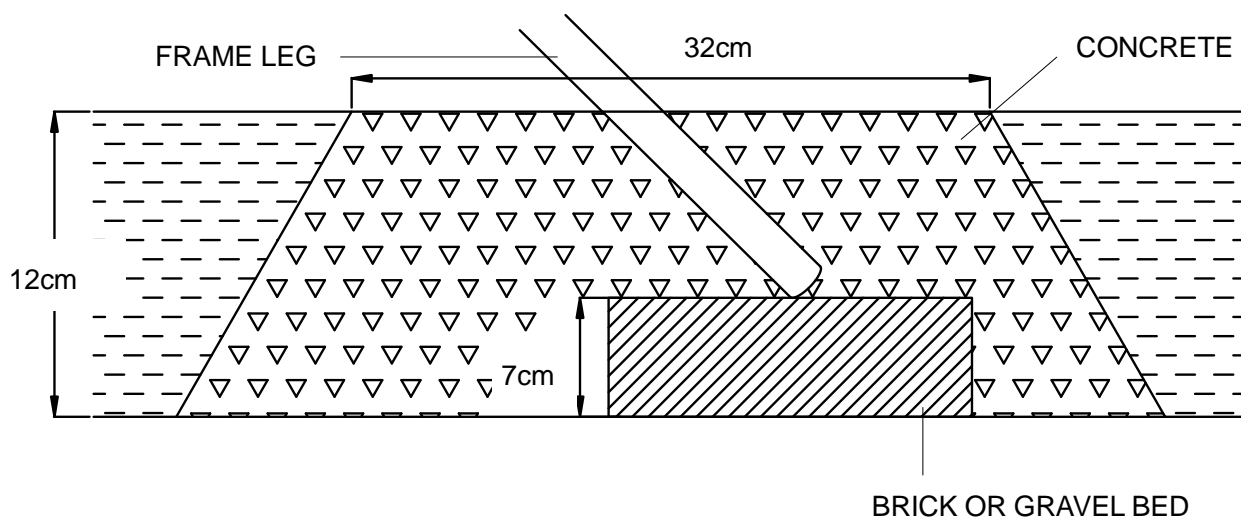
Ensure that the hook is secured onto the leg opening.

Repeat 3x for remaining legs.

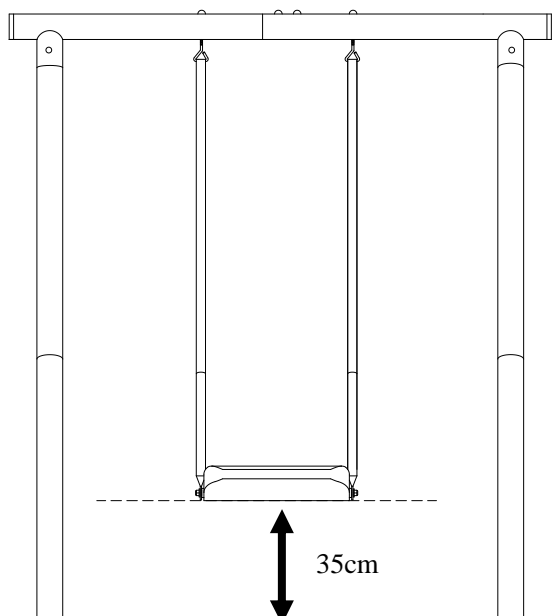


Concrete Anchoring (materials not included)

- If the swing set is set up on grounds with sandy soil (soft) condition, it must be anchored with concrete footings (concrete not included).
- Be sure that the swing set is assembled and placed on level ground.
- Dig holes around swing leg tube as pictured. As you dig deeper, enlarge the diameter of the hole to fix the cement.
- Place 7cm of brick or gravel underneath the leg as pictured.
- Use about 45lbs (20kg). of concrete per leg
- Cover the concrete with dirt and protective surface material
- Allow 6-7 days for the concrete to dry properly before using the swing.
- If you are unsure about how to properly anchor your swing using this method, we strongly advise that you appoint a qualified local contractor to carry out the work.



You must maintain a minimum of 35cm of ground clearance.



The height of the fully assembled product is 180cm. The minimum ground clearance between the bottom of the suspended swing and the ground surface must be 35cm.

Care & maintenance

- Inspect all nuts and bolts twice monthly during the usage season for tightness and tighten as required. It is particularly important that this procedure is followed at the beginning of each season.
- Oil all metallic moving parts monthly during the usage period.
- Sand rusted areas on metal tubing and repaint using a non-lead-based paint.
- Check swing seat and chains monthly during usage season for deterioration. Replacements should be made in accordance with the manufacturer's instructions.
- Check all coverings for bolts and sharp edges twice monthly during usage season to be certain that they are in place and replace when necessary. It is especially important to do this at the beginning of each new season.
- Do not use when the temperature drops below 0°C (32°F); remove and store the swing seat indoors.

For replacement parts call Zero Gravity customer services on 01264 771247 or visit www.ZeroGravityTrampolines.com

At the beginning of each season and during the course of the season

- Tighten all hardware.
- Lubricate all metallic moving parts.
- Check all protective coverings on bolts, pipes, edges and corners. Replace if they are loose, cracked or missing.
- Check all moving parts for rust. If found, sand and repaint using non-lead paint.
- Rake and check depth of loose fill protective surfacing materials to prevent compaction and to maintain appropriate depth. Replace as needed.
- Carefully check the Magic Carpet for signs of damage by UV rays. It should last a minimum of 2 years in hot climates. If material becomes brittle or shows signs of deterioration then replace.

Disposal instructions

- Please use care when disassembling the equipment when it is no longer in operational condition. Wear heavy duty gloves to avoid injuries.
- Fully disassemble the entire frame. Do not leave partially disassembled parts in areas accessible by children.
- All steel and plastic components are recyclable. Check your local area's recycling policy for options on where to recycle.
- All rusted parts must be properly disposed of in trash bin. Do not reuse.

Product Warranty

Zero Gravity warrants its products to be free from defects in material and workmanship under normal use and service conditions for three hundred and sixty five (365) days after the date of purchase.

All warranty coverage extends only to the original purchaser of the product and is not assignable or transferable. The original store or online purchase receipt must be kept as proof of purchase in order for the warranty to be valid. These documents must be presented in the event of making a warranty claim.

During the warranty period, Zero Gravity will provide repair or replacement of defective equipment or parts thereof covered by the warranty. Any handling, transportation, delivery and other incidental charges in respect of the servicing of the equipment shall be borne by the Purchaser. If the product includes a number of accessories, only the defective part or accessory will be replaced.

The warranty will become void if any defects or damages are associated with the use of unauthorised replacement parts. All replacement parts must be obtained from authorized Zero Gravity agents.

All decisions made by Zero Gravity made in respect of the servicing of the equipment (including repairs, replacements or issues relating to defects of workmanship or materials) shall be conclusive and the Purchaser agrees to be bound by such decisions. Any defective equipment or part thereof replaced shall become the property of Zero Gravity.

In the event of a product or accessory being replaced during the guarantee, the guarantee on the replacement will expire at the original date, i.e. 365 days from the original purchase date.

This warranty excludes defects caused by the product not being used in accordance with instructions, accidental damage, misuse or being tampered with by unauthorised persons.

The Zero Gravity Warranty does not cover:

- a) Products used for commercial or rental purposes.
- b) Loss or damage to product due to:
 - i. Abuse, repairs and/or tampering by any person other than the authorised personnel of Zero Gravity
 - ii. Negligence and/or misuse (including foreign objects, accidents, improper storage, exposure to sun/moisture, excessive temperature, sand, dust, dirt, other pollution or other environmental conditions and failure to follow precautions or proper operating instructions stated in the Assembly, Installation, Care, Maintenance and Use Instructions such as improper installations)
 - iii. Fire, flood, lightning strike, wind storm or other acts of God
 - iv. Freight or improper transport damages, and
 - v. Improper usage (including use by underage, overweight or excessive number of users permitted as stated in the Assembly, Installation, Care, Maintenance and Use Instructions).
- c) Defects, damages or accidents due to the malfunction, connection to or use of non-Zero Gravity or unauthorized parts. In such event, Zero Gravity reserves the right to cancel the Limited Warranty coverage immediately.

To the extent allowed by the applicable local law, the remedies in the Limited Warranty are the Purchaser's sole and exclusive remedies.

ZERO GRAVITY ARE NOT RESPONSIBLE OR LIABLE FOR INDIRECT, SPECIAL OR CONSEQUENTIAL DAMAGES ARISING OUT OF OR IN CONNECTION WITH THE USE OR PERFORMANCE OF THE PRODUCT OR OTHER DAMAGES WITH RESPECT TO ANY ECONOMIC LOSS, LOSS OF PROPERTY, LOSS OF REVENUE OR PROFITS, LOSS OF ENJOYMENT OR USE, COST OF REMOVAL, INSTALLATION OR OTHER CONSEQUENTIAL DAMAGES.

THE WARRANTY EXTENDED HEREUNDER IS IN LIEU OF ALL OTHER WARRANTIES AND ANY IMPLIED WARRANTY OF MERCHANTABILITY OR FITNESS FOR A PARTICULAR PURPOSE IS LIMITED IN ITS SCOPE AND DURATION TO THE TERMS SET FORTH HEREIN. THIS WARRANTY IS VALID ONLY IN THE UNITED KINGDOM.

PLEASE NOTE: ANY REPAIRS OR REPLACEMENTS MUST BE MADE USING AUTHORIZED ZERO GRAVITY PARTS IN ORDER FOR THIS WARRANTY TO BE VALID.

DO NOT RETURN PRODUCT TO THE STORE. PLEASE CONTACT OUR CUSTOMER SERVICE FOR PARTS OR ASSEMBLY INSTRUCTIONS. STORES ARE NOT EQUIPPED TO PROVIDE CUSTOMER SERVICE FOR THIS PRODUCT.

For Customer Service, please call 01264 771247

or visit

www.ZeroGravityTrampolines.com

Monday - Friday 9:00AM - 4:00PM