



**victron energy**  
BLUE POWER

Manual

EN

Manual

NL

Manuale

FR

Anleitung

DE

Manual

SV

Använderhandbok

CZ

**Orion-Tr DC-DC Smart Charger Non-Isolated**



# 1. General Description

The Orion Smart DC-DC chargers are specially developed DC-DC converters for controlled charging or fixed output mode. In charger mode the three-state charge algorithm will increase battery life by properly charging the battery. Especially in the case of vehicles with an alternator smart control, or voltage drop caused by long cable runs, controlled charging is indispensable. Controlled charging will also protect the alternator in lithium systems where direct charging can overload the alternator due to the low impedance of the lithium battery. In fixed output mode the output voltage will remain stable independent of the applied load or varying input voltage (within the specified range).

To ensure that the starter battery of the vehicle is always loaded with priority, the Orion Smart DC-DC charger will only provide power when the engine is running. This is possible thanks to the built-in engine shutdown detection. This also prevents the onboard voltage of the vehicle from becoming too low. It is not necessary to intervene in the system of the vehicle, install a separate motor run sensor or intervene in the CAN bus system. Apart from this detection, the Orion Smart DC-DC charger can also be activated by a forced allowed to charge feature, e.g. connected to the ignition switch.

The Orion Smart DC-DC charger is fully programmable with the VictronConnect app.

Discover all setup possibilities here:

<https://www.victronenergy.com/live/victronconnect:start>

## 2. Features

### **Smart alternator compatibility**

Vehicle manufacturers are now introducing smart ECU (Engine Control Unit) controlled alternators to increase fuel efficiency and lower emissions. Smart alternators deliver a variable output and are shut off when they're not needed. The converter has a unique engine running detection in order to be able to detect a running vehicle engine. This prevents the converter from discharging the starter battery if the alternator does not supply power. See chapter "5. Smart alternator compatibility" for more details. Configurable with Victron Connect.

### **Separation of the starter battery and the service battery**

The Orion DC-DC Smart Charger non-Isolated separates the starter battery from the service battery when the engine is not running.

### **Extensive electronic protection**

Over-temperature protection and power derating when temperature is high.

Overload protected.

Short circuit protected.

Connector over-temperature protection.

### **Adaptive three step charging**

The Orion DC-DC Smart Charger Non-Isolated is configured for a three-step charging process: Bulk – Absorption – Float.

#### Bulk

During this stage the controller delivers as much charge current as possible to rapidly recharge the batteries.

#### Absorption

When the battery voltage reaches the absorption voltage setting, the controller switches to constant voltage mode. For lead acid batteries it is important that during shallow discharges the absorption time is kept short in order to prevent overcharging of the battery. After a deep discharge the absorption time is automatically increased to make sure that the battery is

completely recharged. For lithium batteries absorption time is fixed, typically 2 hours, the fixed or adaptive mode can be chosen on the battery settings.

#### Float

During this stage, float voltage is applied to the battery to maintain it in a fully charged state. When the battery voltage drops below re-bulk voltage, due to a high load, during at least 1 minute a new charge cycle will be triggered.

#### **Flexible charge algorithm**

Programmable charge algorithm, and eight preprogrammed battery settings.

Configurable with VictronConnect.

#### **Adaptive absorption time**

Automatically calculates the proper absorption time.

Configurable with Victron Connect.

#### **Configuring and monitoring**

Bluetooth Smart built-in: the wireless solution to set-up, monitor and update the controller using Apple and Android smartphones, tablets or other devices.

Several parameters can be customized with the VictronConnect app.

The VictronConnect app can be downloaded from:

<http://www.victronenergy.nl/support-and-downloads/software/>

Use the manual – VictronConnect - to get the most out of the VictronConnect App when it's connected to an Orion Smart:

<https://www.victronenergy.com/live/victronconnect:start>

#### **Input voltage lock-out**

Shutdown if the input voltage drops below the lock-out value and continuous when the input voltage increases above the restart value.

Configurable with Victron Connect.

### **Remote on-off**

Use the remote function to enable and disable the device remotely with the remote on/off connector or using the VictronConnect app. Typical use cases include a user operated hard wired switch and automatic control by for example a Battery Management System.

### 3. Safety instructions

**SAVE THESE INSTRUCTIONS – This manual contains important instructions that shall be followed during installation and maintenance.**



**WARNING**

**Danger of explosion from sparking**

**Danger of electric shock**

- Please read this manual carefully before the product is installed and put into use.
- Install the product in a heatproof environment. Ensure therefore that there are no chemicals, plastic parts, curtains or other textiles, etc. in the immediate vicinity of the equipment.
- It is normal for the Orion Smart DC-DC charger to get hot during operation, keep any objects that are heat-sensitive away.
- Ensure that the equipment is used under the correct operating conditions. Never operate it in a wet environment.
- Never use the product at sites where gas or dust explosions could occur.
- Always provide proper ventilation during charging.
- Avoid covering the charger.
- Refer to the specifications provided by the manufacturer of the battery to ensure that the battery is suitable for use with this product. The battery manufacturer's safety instructions should always be observed.
- In addition to this manual, the system operation or service manual must include a battery maintenance manual applicable to the type of batteries used.
- Never place the charger on top of the battery when charging.
- Prevent sparks close to the battery. A battery being charged could emit explosive gases.

- This device is not to be used by persons (including children) with reduced physical, sensory or mental capabilities, or lack of experience and knowledge, unless they have been given supervision or instruction.
- Use flexible multistrand copper cable for the connections. The maximum diameter of the individual strands is 0,4mm/0,125mm<sup>2</sup> (0.016 inch/AWG26).
- The installation must include a fuse in accordance with the recommendations in the table "CABLE AND FUSE RECOMMENDATIONS".



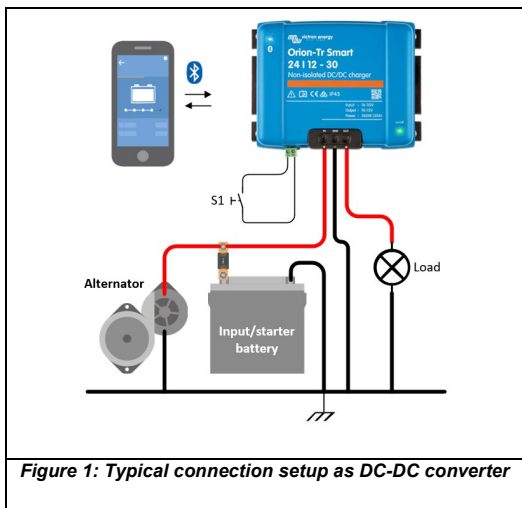
## 4. Installation

### 4.1 General

- Mount vertically on a non-flammable surface, with the power terminals facing downwards. Observe a minimum clearance of 10 cm under and above the product for optimal cooling.
- Mount close to the battery, but never directly above the battery (in order to prevent damage due to gassing of the battery).

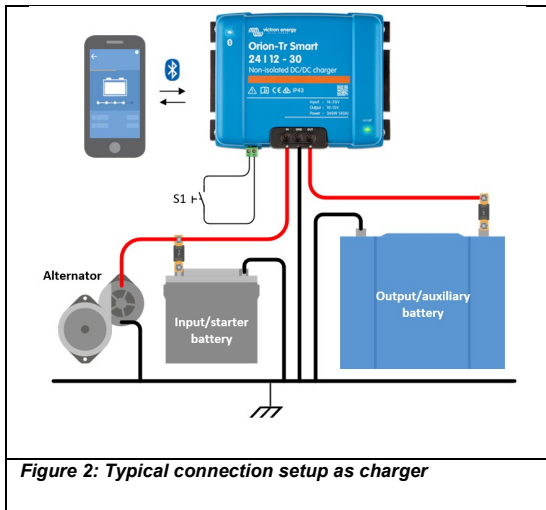
### 4.2 Connection setup for DC-DC converter mode

1. Disconnect the remote on/off (remove wire bridge).
2. Connect the input supply cables.
3. Open the VictronConnect App to setup the product.  
**(always adjust the output voltage before connecting in parallel or connecting a battery)**
4. Connect the load. The converter is now ready for use.
5. Reconnect the remote on/off to activate the product.



### 4.3 Connection setup for charger mode

1. Disconnect the remote on/off (remove wire bridge).
2. Connect the input supply cables.
3. Open the VictronConnect App to setup the product.  
**(always setup the correct charger algorithm before connecting a battery)**
4. Connect the battery to be charged.
5. Reconnect the remote on/off to activate the product.

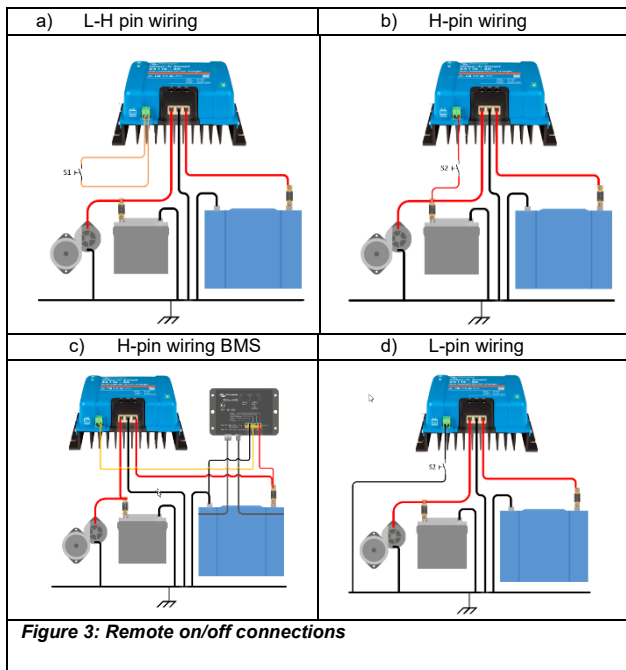


#### 4.4 Connection remote on-off

The recommended use of the remote on-off is:

- a) A switch wired between the L-H pins (On-level impedance between L-H pins:  $<500k\Omega$ )
- b) A switch wired between (input/starter) battery plus and H-pin (on level:  $>3V$ )
- c) Connection between “VE.BMS charge disconnect” and H-pin
- d) A switch between the L-pin and (input/starter) ground (on level:  $<5V$ )

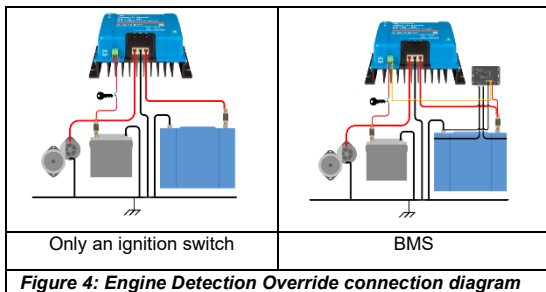
Note: Voltage tolerance L & H pin:  $\pm 70V_{DC}$



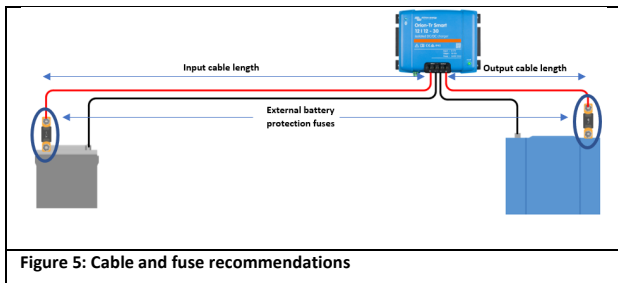
#### 4.5 Engine detection override

Applying  $>7V$  to the L-pin of the remote on/off circuit activates the “engine detection override” function. The charger is on as long as the “engine detection override” is active. With this function an external control (e.g. ignition switch, CAN bus engine on detector) can determine if charging is allowed.

The remote on/off function also needs to be activated so option a) or b) in figure 3 must also be connected. See examples in figure 4 below.



#### 4.6 Cable and fuse recommendations



		Minimum cable gauge				
Voltage rating (Input or output)	External battery protection Fuse	0.5m	1m	2m	5m	10m
12V	60A	6mm <sup>2</sup>	10mm <sup>2</sup>	10mm <sup>2</sup>	16mm <sup>2</sup>	16mm <sup>2</sup>
24V	30A	4mm <sup>2</sup>	6mm <sup>2</sup>	6mm <sup>2</sup>	10mm <sup>2</sup>	10mm <sup>2</sup>

#### 4.7 Recommended torque



## 5. Smart alternator compatibility

The engine is running detection is based on the voltage of the starter battery. The charger is not always able to measure the exact starter battery voltage because of voltage drop over the input cable. The voltage drop is determined by variables like current, cable length and cable gauge. The “engine on detection sequence” (see figure 7) will perform periodic tests to determine the exact starter battery voltage during charging. The test result determines if the engine is running and charging can be enabled.

This feature is only active in charger mode and when “engine detection override” is not activated. In converter mode the “input voltage lock-out” determines when the output is active.

Configurable with VictronConnect

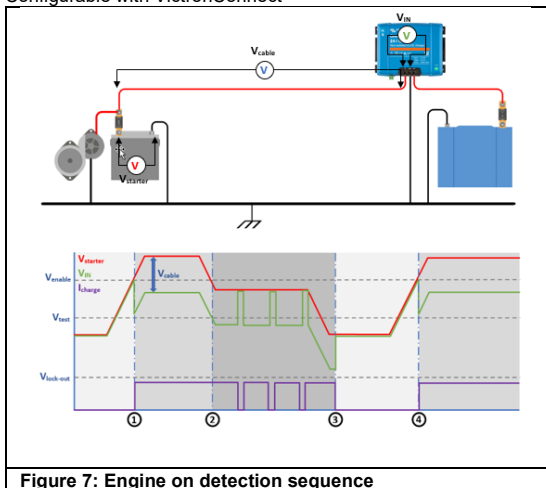


Figure 7: Engine on detection sequence

**0 → 1:**

When the engine runs the alternator voltage will ramp-up, when  $V_{\text{starter}}$  increases above  $V_{\text{enable}}$ , charging starts.

**1 → 2:**

Due to the charge current a voltage drop will occur across the input cable ( $V_{\text{cable}}$ ), this voltage reduces the voltage at the input of the charger ( $V_{\text{IN}}$ ). While  $V_{\text{IN}}$  remains above  $V_{\text{test}}$ , charging is enabled.

**2 → 3:**

If  $V_{\text{IN}}$  drops below  $V_{\text{test}}$ , the “engine on detection sequence” is started. Every 2 minutes the charger is paused for 10 seconds to measure the voltage. Without current flow  $V_{\text{IN}}$  is equal to  $V_{\text{starter}}$ , if  $V_{\text{IN}}$  is above  $V_{\text{test}}$ , charging will resume. While remaining in this state, the test is performed every 2 minutes.

**3 → 4:**

During the detection sequence  $V_{\text{IN}}$  dropped below  $V_{\text{test}}$ , this means that the engine stopped running and charging must be stopped, the charge sequence is paused.

**4 → 5:**

$V_{\text{IN}}$  increases above  $V_{\text{enable}}$ , the charge sequences continues.

## 6. LED stated

The LEDs will change its state to warn what the Orion Smart is doing at the moment. There are two LEDs, the blue LED is dedicated to Bluetooth functionality and the green LED to product state.

### Status LED (Green LED)

- **LED off:**
  - No input voltage;
  - Remote shutdown;
  - Shutdown by the user;
  - Connector over-temperature protection
  - User defined under voltage lock-out
  - Engine off detected (when in Charger mode)
- **LED on:**
  - Output active on DC/DC Converter Mode;
  - Charger in Float State (Battery charged);
- **LED Blinking at 1.25Hz:**
  - Charger in Bulk or Absorption State (Battery is being charged);

### BLE LED (Blue LED)

- **LED off:**
  - No input voltage;
- **LED Blinking at 0.33 Hz:**
  - Error – needs to be checked on VictronConnect;
- **LED Blinking at 1.25 Hz:**
  - Connected via Bluetooth;
- **LED Blinking at 2.5 Hz:**
  - Identify;
- **LED Blinking once every 5 seconds:**
  - Charger off due to non-error conditions as:
    - Remote shutdown;
    - Shutdown by the user;
    - User defined under voltage lock-out;
    - Engine off detected (when in Charger mode);
- **LED on:**
  - All other conditions;





## 7. Specifications

Orion-Tr Smart Charger non-Isolated 360 - 400 Watt	12/12-30 (360W)	12/24-15 (360W)
Input voltage range (1)	10-17V	10-17V
Under voltage shut down	7V	7V
Under voltage restart	7,5V	7,5V
Nominal output voltage	12,2V	24,2V
Output voltage adjust range	10-15V	20-30V
Output voltage tolerance	+/- 20mV	
Output noise	2mV rms	
Cont. output current at nominal output voltage and 40°C	30A	15A
Maximum output current (10 s) at nominal output voltage	40A	25A
Short circuit output current	60A	40A
Cont. output power at 25°C	430W	430W
Cont. output power at 40°C	360W	360W
Efficiency	87%	88%
No load input current	< 80mA	< 100mA
Standby current	< 1mA	< 1mA
Galvanic isolation	200V dc between input, output and case	
Operating temperature range	-20 to +55°C (derate 3% per °C above 40°C)	
Humidity	Max. 95% non-condensing	
DC connection	Screw terminals	
Maximum cable cross-section	16 mm <sup>2</sup> AWG6	
Weight	12V input and/or 12V output models: 1,8 kg (3 lb) Other models: 1,6 kg (3.5 lb)	
Dimensions hwxwx	12V input and/or 12V output models: 130 x 186 x 80 mm (5.1 x 7.3 x 3.2 inch) Other models: 130 x 186 x 70 mm (5.1 x 7.3 x 2.8 inch)	
Standards: Safety Emission Immunity Automotive Directive	EN 60950 EN 61000-6-3, EN 55014-1 EN 61000-6-2, EN 61000-6-1, EN 55014-2 ECE R10-5	
1) If set to nominal or lower than nominal, the output voltage will remain stable within the specified input voltage range (buck-boost function). If the output voltage is set higher than nominal by a certain percentage, the minimum input voltage at which the output voltage remains stable (does not decrease) increases by the same percentage.		

EN

NL

FR

DE

SV

CZ

## Specifications - continuation

Orion-Tr Smart Charger non-Isolated 360 - 400 Watt	24/12-30 (360W)	24/24-17 (400W)
Input voltage range (1)	20-35V	20-35V
Under voltage shut down	14V	14V
Under voltage restart	15V	15V
Nominal output voltage	12,2V	24,2V
Output voltage adjust range	10-15V	20-30V
Output voltage tolerance	+/- 20mV	
Output noise	2mV rms	
Cont. output current at nominal output voltage and 40°C	30A	17A
Maximum output current (10 s) at nominal output voltage	45A	25A
Short circuit output current	60A	40A
Cont. output power at 25°C	430W	480W
Cont. output power at 40°C	360W	400W
Efficiency	88%	89%
No load input current	< 100mA	< 80mA
Standby current	< 1mA	< 1mA
Galvanic isolation	200V dc between input, output and case	
Operating temperature range	-20 to +55°C (derate 3% per °C above 40°C)	
Humidity	Max. 95% non-condensing	
DC connection	Screw terminals	
Maximum cable cross-section	16 mm <sup>2</sup> AWG6	
Weight	12V input and/or 12V output models: 1,8 kg (3 lb) Other models: 1,6 kg (3.5 lb)	
Dimensions h x w x d	12V input and/or 12V output models: 130 x 186 x 80 mm (5.1 x 7.3 x 3.2 inch) Other models: 130 x 186 x 70 mm (5.1 x 7.3 x 2.8 inch)	
Standards: Safety Emission Immunity Automotive Directive	EN 60950 EN 61000-6-3, EN 55014-1 EN 61000-6-2, EN 61000-6-1, EN 55014-2 ECE R10-5	
1) If set to nominal or lower than nominal, the output voltage will remain stable within the specified input voltage range (buck-boost function). If the output voltage is set higher than nominal by a certain percentage, the minimum input voltage at which the output voltage remains stable (does not decrease) increases by the same percentage.		

# 1. Algemene beschrijving

Orion Smart DC-DC-acculaders zijn speciaal ontwikkelde DC-DC-omvormers voor het gecontroleerd opladen of vaste uitgangsmodus. In de laadmodus zal het driefasen-laad algoritme de levensduur van de accu verlengen door de accu op de juiste manier op te laden. Vooral in het geval van voertuigen met een slimme dynamo of een spanningsval als gevolg van lange kabels, is gecontroleerd laden essentieel. Gecontroleerd laden beschermt tevens de dynamo in lithiumpower systemen waarin direct laden de dynamo kan overbelasten vanwege de lage impedantie van de lithiumaccu. In vaste uitgangsmodus blijft de uitgangsspanning stabiel onafhankelijk van de toegepaste belasting of variërende ingangsspanning (binnen het opgegeven bereik).

Om ervoor te zorgen dat de startaccu van het voertuig altijd eerst wordt geladen, levert de Orion Smart DC-DC-acculader alleen stroom wanneer de motor draait. Dit is mogelijk dankzij het ingebouwde mechanisme om de activiteit van de motor te detecteren. Hiermee wordt ook voorkomen dat de spanning aan boord van het voertuig te laag wordt. Het is niet nodig om in te grijpen in het systeem van het voertuig, een afzonderlijke sensor voor de detectie van de activiteit van de motor te installeren of in te grijpen in het CAN bussysteem. Afgezien van deze detectie kan de Orion Smart DC-DC-acculader ook worden geactiveerd door een oplaadfunctie die bijvoorbeeld is aangesloten op de contactschakelaar.

De Orion Smart DC-DC-acculader is volledig programmeerbaar met de VictronConnect app.

Ontdek hier alle instelmogelijkheden:

<https://www.victronenergy.com/live/victronconnect:start>

## 2. Kenmerken

### **Slimme dynamocompatibiliteit**

Voertuigfabrikanten introduceren nu slimme ECU (Engine Control Unit)- gestuurde wisselstroomdynamo's om het brandstofverbruik en de uitstoot te verlagen. Slimme dynamo's leveren een variabele uitvoer en worden uitgeschakeld wanneer ze niet nodig zijn. De omvormer heeft een uniek mechanisme voor de detectie van motoractiviteit om een draaiende voertuigmotor te kunnen detecteren. Hierdoor wordt voorkomen dat de omvormer de startaccu onlaadt als de dynamo geen stroom levert. Zie hoofdstuk 5. "Slimme dynamocompatibiliteit" voor meer informatie.

Configureerbaar met Victron Connect.

### **Scheiding van de startaccu en de serviceaccu**

Orion DC-DC Smart Charger Non-Isolated scheidt de startaccu van de serviceaccu wanneer de motor niet draait.

### **Uitgebreide elektronische bescherming**

Bescherming tegen te hoge temperatuur en vermogensreductie wanneer de temperatuur hoog is.

Beschermd tegen overbelasting.

Beschermd tegen kortsluiting.

Beschermd tegen te hoge temperaturen.

### **Adaptief opladen in drie stappen**

De Orion DC-DC Smart Charger Non-Isolated is geconfigureerd voor een laadproces in drie stappen: Bulk — Absorptie — Druppel.

#### Bulk

Tijdens deze fase levert de regelaar zoveel mogelijk laadstroom om de accu's snel op te laden.

#### Absorptie

Wanneer de accuspanning de ingestelde absorptiespanning bereikt, schakelt de regelaar over naar de constante spanningsmodus. Voor loodzuuraccu's is het belangrijk dat

tijdens oppervlakkige ontladingen, de absorptietijd kort wordt gehouden om overbelasting van de accu te voorkomen. Na diepe ontlading wordt de absorptietijd automatisch verhoogd om ervoor te zorgen dat de accu opnieuw volledig wordt opgeladen. Voor lithiumaccu's is de absorptietijd vastgesteld, meestal op 2 uur. U kunt via de accu-instellingen kiezen voor een vaste of adaptieve modus.

#### Druppel

Tijdens deze fase wordt druppelspanning op de accu toegepast om deze in een volledig opgeladen toestand te houden. Wanneer de accuspanning door een hoge belasting onder de re-bulkspanning daalt, wordt gedurende ten minste 1 minuut een nieuwe laadcyclus geactiveerd.

#### **Flexibel laad algoritme**

Programmeerbaar laad algoritme en acht voorgeprogrammeerde accu-instellingen.

Configureerbaar met VictronConnect.

#### **Adaptieve absorptietijd**

Berekent automatisch de juiste absorptietijd.

Configureerbaar met Victron Connect.

#### **Configuratie en bewaking**

Bluetooth Smart-integratie: de draadloze oplossing voor het instellen, bewaken en bijwerken van de regelaar via Apple- en Android-smartphones, tablets of andere apparaten.

Met de VictronConnect app kunnen verschillende parameters kunnen worden aangepast.

De VicTronConnect app kan worden gedownload van:

<http://www.victronenergy.nl/support-and-downloads/software/>

Gebruik de handleiding — VictronConnect - om het meeste uit de VictronConnect app te halen wanneer deze is verbonden met een Orion Smart:

<https://www.victronenergy.com/live/victronconnect:start>

#### **Ingangsspanningvergrendeling**

Schakelt uit wanneer de ingangsspanning onder de

vergrendelingswaarde daalt of wanneer de ingangsspanning boven de herstartwaarde stijgt.

Configureerbaar met Victron Connect.

### **Externe aan-/uitschakelaar**

Gebruik deze externe functie om het apparaat op afstand aan of uit te schakelen met behulp van de externe aan/uit-schakelaar of met behulp van de VictronConnect-app. Deze worden voornamelijk gebruikt in het geval van een door de gebruiker bediende bedrade schakelaar of automatische bediening met behulp van bijvoorbeeld een Battery Management System.

### 3. Veiligheidsinstructies

**BEWAAR DEZE INSTRUCTIES — Deze handleiding bevat belangrijke instructies die moeten worden opgevolgd tijdens installatie en onderhoud.**



**WARNING**

**Gevaar voor explosie door vonken**

**Gevaar voor elektrische schokken**

- Lees deze handleiding zorgvuldig door voordat u het product installeert en in gebruik neemt.
- Installeer het product in een hittebestendige omgeving. Zorg er daarom voor dat er geen chemicaliën, plastic onderdelen, gordijnen of ander textielproducten enz. in de onmiddellijke nabijheid van de apparatuur aanwezig zijn.
- Het is normaal dat de Orion Smart DC-DC-acculader warm wordt tijdens gebruik. Houdt daarom alle voorwerpen weg die hittegevoelig zijn.
- Zorg ervoor dat de apparatuur wordt gebruikt onder de juiste gebruiksomstandigheden. Gebruik het nooit in een vochtige omgeving.
- Gebruik het product nooit op plaatsen waar gas- of stofexplosies kunnen optreden.
- Zorg altijd voor goede ventilatie tijdens het opladen.
- Vermijd het bedekken van de oplader.
- Raadpleeg de specificaties van de fabrikant van de accu om ervoor te zorgen dat de accu geschikt is voor gebruik met dit product. De veiligheidsinstructies van de fabrikant van de accu moeten altijd in acht worden genomen.
- Naast deze handleiding dient de bedieningshandleiding voor het systeem een onderhoudshandleiding voor de accu bevatten die van toepassing is op het type accu's dat wordt gebruikt.
- Plaats de acculader nooit op de accu tijdens het opladen.

EN

NL

FR

DE

SV

CZ

- Vermijd vonken dichtbij de accu. Een accu kan explosieve gassen uitstoten tijdens het opladen.
- Dit apparaat mag niet worden gebruikt door personen (inclusief kinderen) met beperkte fysieke, zintuiglijke of mentale vermogens of gebrek aan ervaring en kennis, tenzij zij onder toezicht staan of instructie hebben gekregen.
- Gebruik een flexibele koperen multi-strengkabel voor het aansluiten. De maximale diameter van de afzonderlijke strengen is 0,4 mm/0,125 mm<sup>2</sup> (0,016 inch/AWG26).
- De installatie dient een zekering te bevatten in overeenstemming met de aanbevelingen in de tabel "AANBEVELINGEN KABELS EN ZEKERINGEN".



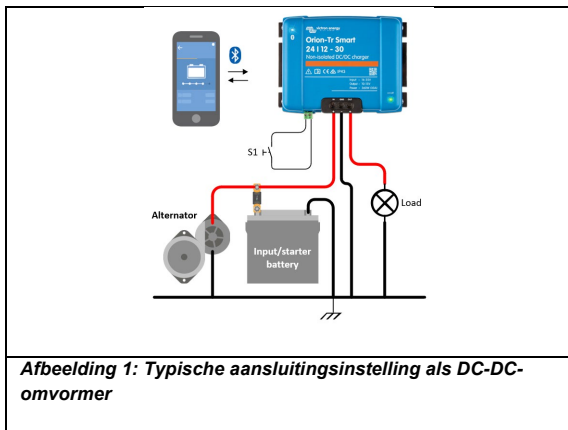
## 4. Installatie

### 4.1 Algemeen

- Monteer verticaal op een niet-ontvlambaar oppervlak, met de stroomaansluitingen naar beneden gericht. Behoudt een minimale speling van 10 cm onder en boven het product voor een optimale koeling.
- Monteer dicht bij de accu, maar nooit direct boven de accu (om schade door gasvorming van de accu te voorkomen).

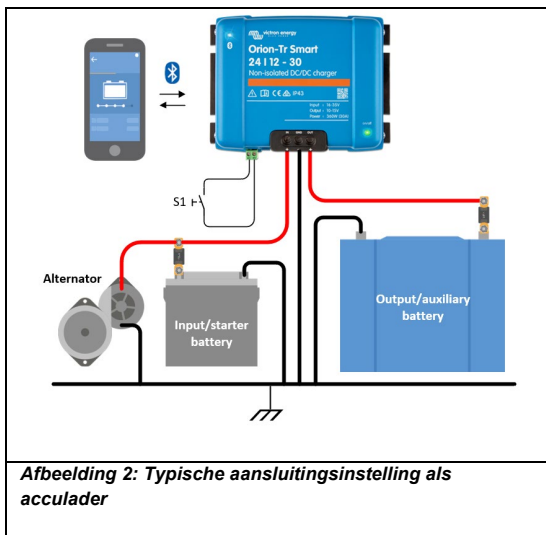
### 4.2 Aansluitingsinstellingen voor DC-DC-omvormermodus

1. Ontkoppel de externe aan-/uitschakelaar (verwijder de draadbrug).
2. Sluit de ingangsvoedingskabels aan.
3. Open de VictronConnect-app om het product in te stellen.  
*(pas de uitgangsspanning altijd aan, voordat u parallel aansluit of een accu aansluit)*
4. Sluit de belasting aan. De omvormer is nu klaar voor gebruik.
5. Sluit de externe aan-/uitschakelaar opnieuw aan om het product te activeren.



### 4.3 Aansluitingsinstelling voor laadmodus

1. Ontkoppel de externe aan-/uitschakelaar (verwijder de draadbrug).
2. Sluit de ingangsvoedingskabels aan.
3. Open de VictronConnect-app om het product in te stellen.  
**(stel altijd het juiste laadalgoritme in, voordat u een accu aansluit)**
4. Sluit de accu aan die moet worden opgeladen.
5. Sluit de externe aan-/uitschakelaar opnieuw aan om het product te activeren.

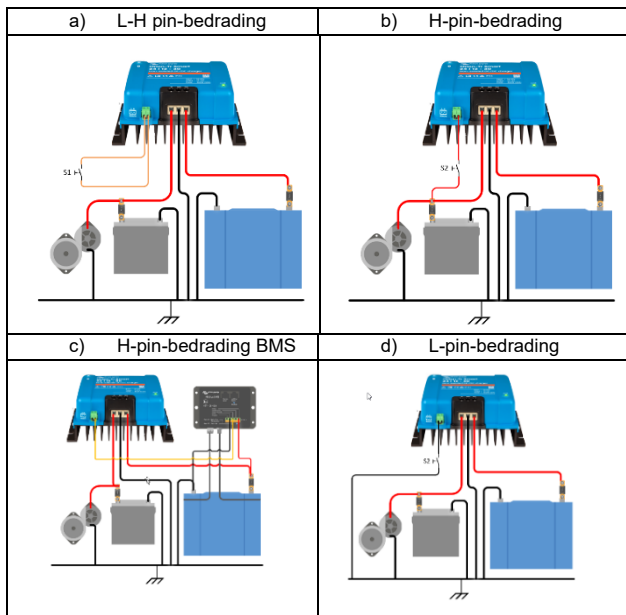


#### 4.4 Aansluiting externe aan-uit

Het gebruik van de externe aan-/uitschakelaar is aanbevolen voor:

- a) Een schakelaar bedraad tussen de L-H pinnen (op niveau impedantie tussen L-H pinnen: <math>< 500 \text{ k}\Omega</math>)
- b) Een schakelaar bedraad tussen (ingang/start)-accu plus en H-pin (op niveau: > 3V)
- c) Aansluiting tussen "VE.BMS-belastingsontkoppeling" en H-pin
- d) Een schakelaar tussen de L-pin en (ingang/starter)-aarding (op niveau: <math>< 5 \text{ V}</math>)

Let op: Spanningstolerantie L & H pin: +/- 70 V<sub>DC</sub>

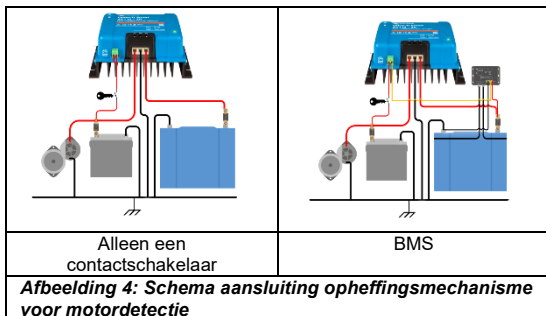


**Afbeelding 3: Aansluitingen externe aan-/uitschakelaar**

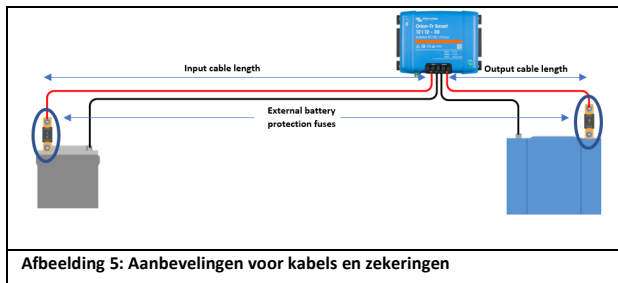
#### 4.5 Opheffingsmechanisme voor motordetectie

Door > 7 V toe te passen op de L-pin van het circuit van de externe aan-/uitschakelaar, activeert het "opheffingsmechanisme voor motordetectie". De acculader blijft ingeschakeld zolang het "opheffingsmechanisme voor motordetectie" actief is. Met deze functie kan een externe regelaar (bijv. ontstekingsschakelaar of CAN-busmotor op detector) bepalen of opladen is toegestaan.

De externe aan/uit-functie moet ook worden geactiveerd, dus optie a) of b) in figuur 3 moet ook worden aangesloten. Zie voorbeelden in figuur 4 hieronder.



## 4.6 Aanbevelingen voor kabels en zekeringen



Spanningswaarde (Invoer of uitvoer)	Externe accu bescherming door zekering	Minimale kabeldiameter				
		0,5 m	1 m	2 m	5 m	10 m
12 V	60 A	6 mm <sup>2</sup>	10 mm <sup>2</sup>	10 mm <sup>2</sup>	16 mm <sup>2</sup>	16 mm <sup>2</sup>
24 V	30 A	4 mm <sup>2</sup>	6 mm <sup>2</sup>	6 mm <sup>2</sup>	10 mm <sup>2</sup>	10 mm <sup>2</sup>

EN

NL

FR

DE

SV

CZ

## 4.7 Aanbevolen koppel

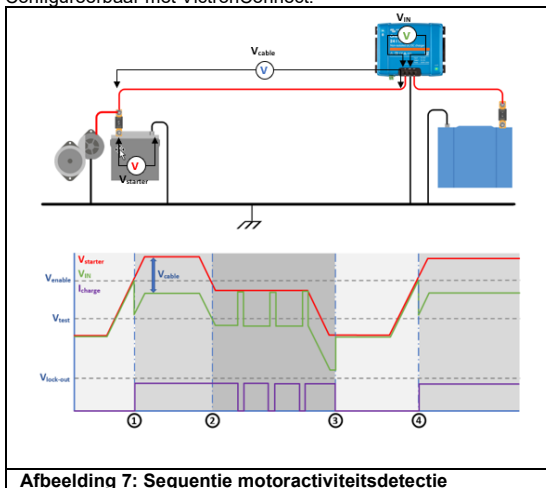


## 5. Compatibiliteit met slimme dynamos

De motoractiviteitsdetectie is gebaseerd op de spanning van de startaccu. De acculader is niet altijd in staat om de exacte startaccuspanning te meten vanwege spanningsval door de ingangskabel. De spanningsval wordt bepaald door variabelen zoals stroom, kabellengte en kabeldiameter. De "motoractiviteitsdetectie" (zie figuur 7) voert periodieke tests uit om de exacte startaccuspanning tijdens het opladen te meten. Het testresultaat bepaalt of de motor draait en het opladen kan worden ingeschakeld.

Deze functie is alleen actief in de laadmodus en wanneer het "opheffingsmechanisme voor motordetectie" niet is geactiveerd. In de omvormermodus bepaalt de "ingangsspanningsvergrendeling" wanneer de uitgang actief is.

Configureerbaar met VictronConnect.



Afbeelding 7: Sequentie motoractiviteitsdetectie

**0 → 1:**

Wanneer de motor draait zal de spanning van de dynamo oplopen, wanneer  $V_{\text{start}}$  boven  $V_{\text{inschakeling}}$  stijgt, start het laden.

**1 → 2:**

Door de laadstroom zal een spanningsval optreden over de ingangskabel ( $V_{\text{kabel}}$ ). Deze spanning vermindert deingangsspanning van de lader ( $V_{\text{in}}$ ). Zolang  $V_{\text{in}}$  hoger dan  $V_{\text{test}}$  is, blijft het opladen ingeschakeld.

**2 → 3:**

Als  $V_{\text{in}}$  minder dan  $V_{\text{test}}$  is, wordt de "sequentie motoractiviteitsdetectie" opgestart. Elke 2 minuten wordt de acculader gedurende 10 seconden gepauzeerd om de spanning te meten. Zonder stroom is  $V_{\text{in}}$  gelijk aan  $V_{\text{start}}$ , als  $V_{\text{in}}$  boven  $V_{\text{test}}$  komt, wordt het opladen hervat. Terwijl het in deze toestand blijft, wordt de test om de 2 minuten uitgevoerd.

**3 → 4:**

Tijdens de detectiesequentie is de  $V_{\text{in}}$  gedaald tot onder  $V_{\text{test}}$ . Dit betekent dat de motor niet meer draait en het opladen moet worden gestopt. De oplaadsequentie wordt in dat geval gepauzeerd.

**4 → 5:**

$V_{\text{in}}$  stijgt boven  $V_{\text{activering}}$ , de laadsequentie gaat door.



## 6. LED-status

De LED's veranderen van status om te waarschuwen wat de Orion Smart op dit moment doet. Er zijn twee LED-lichtjes, de blauwe LED is gewijd aan de Bluetooth-functionaliteit en de groene LED aan de productstatus.

### LED-status (Groene LED)

- **LED uit:**
  - Geen ingangsspanning;
  - Extern uitschakelen;
  - Uitschakelen door gebruiker;
  - Aansluiting bescherming tegen te hoge temperatuur.
  - Door gebruiker gedefinieerde onderspanningsvergrenzeling
  - Detectie motor inactief (tijdens oplaadmodus)
- **LED aan:**
  - Uitvoer actief op DC/DC-omvormermodus;
  - Oplader in druppellaadmodus (accu is opgeladen);
- **LED knippert bij 1,25 Hz:**
  - Acculader in bulk of absorptietoestand (accu wordt opgeladen);

### BLAUWE LED (Blauwe LED)

- **LED uit:**
  - Geen ingangsspanning;
- **LED knippert bij 0,33 Hz:**
  - Fout — moet worden gecontroleerd op VictronConnect;
- **LED knippert bij 1,25 Hz:**
  - Verbonden via Bluetooth;
- **LED knippert bij 2,5 Hz:**
  - Identificeren;
- **LED kippert eens elke 5 seconden:**
  - Acculader uit vanwege omstandigheden zoals:
    - Extern uitschakelen;
    - Uitschakelen door gebruiker;
    - Gebruiker gedefinieerd onder spanningsvergrenzeling;
    - Detectie motor inactief (tijdens oplaadmodus);
- **LED aan:**
  - Alle andere voorwaarden;

## 7. Specificaties

Orion-Tr Smart Charger non-Isolated 360 - 400 Watt	12/12-30 (360 W)	12/24-15 (360 W)
Ingangsspanningsbereik (1)	10-17 V	10-17 V
Uitschakeling bij onderspanning	7 V	7 V
Herstart bij onderspanning	7,5 V	7,5 V
Nominale uitgangsspanning	12,2 V	24,2 V
Aanpassingsbereik uitgangsspanning	10-15 V	20-30 V
Tolerantie uitgangsspannings	+/- 20 mV	
Uitgangsruis	2 mV rms	
Cont. uitgangsstroom bij nominale uitgangsspanning en 40°C	30 A	15 A
Maximale uitgangsstroom (10 s) bij nominaal uitgangsspanning	40 A	25 A
Kortsluiting uitgangsstroom	60 A	40 A
Cont. uitgangsvermogen bij 25°C	430 W	430 W
Cont. uitgangsvermogen bij 40°C	360 W	360 W
Efficiëntie	87%	88%
Geen laadingsvermogen laadstroom	< 80 mA	< 100 mA
Noodstroom	< 1 mA	< 1 mA
Galvanische isolatie	200 V DC tussen invoer, uitvoer en omhulsel	
Bedrijfstemperatuurbereik	-20 tot +55°C (derating 3% per °C boven 40°C)	
Vochtigheid	Max. 95% niet-condenserend	
DC-verbinding	Schroefklemmen	
Maximale dwarsdoorsnede kabel	16 mm <sup>2</sup> AWG6	
Gewicht	12 V-ingangs- en/of 12 V-uitgangsmodellen: 1,8 kg (3 lb)      Andere modellen: 1,6 kg (3,5 lb)	
Afmetingen hxbxd	12 V-ingangs- en/of 12 V-uitgangsmodellen: 130 x 186 x 80 mm (5,1 x 7,3 x 3,2 inch) Andere modellen: 130 x 186 x 70 mm (5,1 x 7,3 x 2,8 inch)	
Normen: Veiligheid Uitstoot Immunititeit Automotive richtlijn	EN 60950 EN 61000-6-3, EN 55014-1 EN 61000-6-2, EN 61000-6-1, EN 55014-2 ECE R10-5	
1)	Wanneer ingesteld op nominaal of lager dan nominaal zal de uitgangsspanning stabiel blijven binnen het gespecificeerde ingangsspanningsbereik (buck-boost functie). Wanneer de uitgangsspanning hoger is ingesteld dan nominaal volgens een bepaald percentage, verhoogt de minimale invoerspanning waarbij de uitvoerspanning stabiel blijft (verlaagt niet) met hetzelfde percentage.	

## Specificaties - vervolg

Orion-Tr Smart Charger non-Isolated 360 - 400 Watt	24/12-30 (360 W)	24/24-17 (400 W)
Ingangsspanningsbereik (1)	20-35 V	20-35 V
Uitschakeling bij onderspanning	14 V	14 V
Herstart bij onderspanning	15 V	15 V
Nominale uitgangsspanning	12,2 V	24,2 V
Aanpassingsbereik uitgangsspanning	10-15 V	20-30 V
Tolerantie uitgangsspannings	+/- 20 mV	
Uitgangsruis	2 mV rms	
Cont. uitgangsstroom bij nominale uitgangsspanning en 40°C	30 A	17 A
Maximale uitgangsstroom (10 s) bij nominaal uitgangsspanning	45 A	25 A
Kortsluiting uitgangsstroom	60 A	40 A
Cont. uitgangsvermogen bij 25°C	430 W	480 W
Cont. uitgangsvermogen bij 40°C	360 W	400 W
Efficiëntie	88%	89%
Geen laadingsvermogen laadstroom	< 100 mA	< 80 mA
Noodstroom	< 1 mA	< 1 mA
Galvanische isolatie	200 V DC tussen invoer, uitvoer en omhulsel	
Bedrijfstemperatuurbereik	-20 tot +55°C (derating 3% per °C boven 40°C)	
Vochtigheid	Max. 95% niet-condenserend	
DC-verbinding	Schroefklemmen	
Maximale dwarsdoorsnede kabel	16 mm <sup>2</sup> AWG6	
Gewicht	12 V-ingangs- en/of 12 V-uitgangsmodellen: 1,8 kg (3 lb)      Andere modellen: 1,6 kg (3,5 lb)	
Afmetingen hxbxd	12V-ingangs- en/of 12V-uitgangsmodellen: 130 x 186 x 80 mm (5,1 x 7,3 x 3,2 inch) Andere modellen: 130 x 186 x 70 mm (5,1 x 7,3 x 2,8 inch)	
Normen: Veiligheid Uitstoot Immunititeit Automotive richtlijn	EN 60950 EN 61000-6-3, EN 55014-1 EN 61000-6-2, EN 61000-6-1, EN 55014-2 ECE R10-5	
1)	Wanneer ingesteld op nominaal of lager dan nominaal zal de uitgangsspanning stabiel blijven binnen het gespecificeerde ingangsspanningsbereik (buck-boost functie). Wanneer de uitgangsspanning hoger is ingesteld dan nominaal volgens een bepaald percentage, verhoogt de minimale invoerspanning waarbij de uitvoerspanning stabiel blijft (verlaagt niet) met hetzelfde percentage.	

EN

NL

FR

DE

SV

CZ



# 1. Description générale

Les chargeurs Orion Smart CC-CC sont des convertisseurs CC-CC spécialement développés pour une charge contrôlée ou un mode de sortie fixe. En mode chargeur, l'algorithme de charge à trois étapes augmentera la longévité de la batterie en la chargeant correctement. Surtout pour les véhicules équipés d'une commande connectée de l'alternateur ou en cas de chute de tension causée par de longs câbles, une charge contrôlée est indispensable. La charge contrôlée protégera aussi l'alternateur dans les systèmes au lithium où la charge directe peut surcharger l'alternateur en raison de la faible impédance de la batterie au lithium. En mode de sortie fixe, la tension de sortie restera stable indépendamment de la charge appliquée ou de la tension d'entrée variable (dans la plage spécifiée).

Pour garantir que la batterie de démarrage du véhicule soit toujours chargée en priorité, le chargeur Orion Smart CC-CC ne fournit de l'énergie que lorsque le moteur tourne. C'est possible grâce à la détection intégrée de l'arrêt du moteur. Cela permet également d'éviter que la tension à bord du véhicule ne devienne trop faible. Il n'est pas nécessaire d'intervenir sur le système du véhicule, d'installer un détecteur de marche du moteur ou d'intervenir sur le système Bus-Can. En dehors de cette détection, le chargeur Orion Smart CC-CC peut aussi être activé par une fonction de charge forcée, par exemple lorsqu'il est connecté à la clé de contact.

Le chargeur Orion Smart CC-CC est entièrement programmable avec l'application VictronConnect.

Découvrez toutes les possibilités de configuration ici :

<https://www.victronenergy.com/live/victronconnect:start>

## 2. Fonctions

**Compatibilité avec les alternateurs connectés** Pour augmenter le rendement énergétique et réduire les émissions, les constructeurs automobiles lancent des alternateurs connectés, contrôlés par ECU (Engine Control Unit). Les alternateurs connectés fournissent une puissance modulable et s'arrêtent lorsqu'ils ne sont pas nécessaires. Le convertisseur dispose d'un système de détection de moteur en marche. Il empêche le convertisseur de décharger la batterie de démarrage si l'alternateur ne fournit pas d'énergie. Pour plus d'informations, voir le chapitre « 5. Compatibilité avec un alternateur connecté » .  
Configurable avec Victron Connect.

### **Séparation de la batterie de démarrage et de la batterie de service**

Le chargeur connecté Orion CC-CC non isolé sépare la batterie de démarrage de la batterie de service lorsque le moteur ne tourne pas.

### **Protection électronique étendue**

Protection contre les surchauffes et réduction de puissance lorsque la température est élevée.  
Protection contre les surcharges.  
Protection contre les courts-circuits.  
Protection contre la surchauffe du connecteur.

### **Charge adaptative en trois étapes**

Le chargeur connecté Orion CC-CC non isolé est configuré pour une procédure de charge en trois étapes : Bulk – Absorption – Float.

#### Bulk

Pendant cette étape, le contrôleur fournit autant de courant de charge que possible pour recharger rapidement les batteries.

#### Absorption

Lorsque la tension de la batterie atteint la tension d'absorption définie, le contrôleur passe en mode de tension constante. Pour les batteries au plomb, il est important que, pendant les décharges

légères, le temps d'absorption soit maintenu court afin d'éviter une surcharge de la batterie. Après une décharge plus importantes, le temps d'absorption est automatiquement augmenté pour que la batterie puisse être complètement rechargée. Pour les batteries au lithium, le temps d'absorption est fixe, généralement 2 heures. Le mode fixe ou adaptable peut être défini dans les paramètres de la batterie.

#### Float

Pendant cette étape, une tension flottante est appliquée à la batterie pour la maintenir en pleine charge. Lorsque la tension de la batterie tombe en dessous de la tension de re-bulk, en raison d'une charge élevée pendant au moins 1 minute, un nouveau cycle de charge est déclenché.

#### **Algorithme de charge flexible**

Algorithme de charge programmable et huit paramètres de batterie préprogrammés.

Configurable avec VictronConnect.

#### **Temps d'absorption adaptatif**

Calcule automatiquement le temps d'absorption approprié.

Configurable avec Victron Connect.

**Configuration et surveillance** avec Bluetooth Smart intégré : la solution sans fil pour configurer, surveiller et mettre à jour le contrôleur depuis votre smartphone, tablette ou autre appareil Apple ou Android.

Plusieurs paramètres peuvent être personnalisés à l'aide de l'application VictronConnect.

Vous pouvez télécharger l'application VictronConnect sur :

<http://www.victronenergy.nl/support-and-downloads/software/>

Suivez les instructions du manuel VictronConnect pour profiter au mieux de l'application VictronConnect lorsqu'elle est connectée à un Orion Smart :

<https://www.victronenergy.com/live/victronconnect:start>

#### **Verrouillage en fonction de la tension d'entrée**

Arrêt si la tension d'entrée tombe en dessous de la valeur de

verrouillage et reprise lorsque la tension d'entrée augmente au-dessus de la valeur de redémarrage.

Configurable avec Victron Connect.

**Marche/arrêt à distance** Utilisez la fonction à distance pour activer et désactiver l'appareil à distance avec l'interrupteur marche/arrêt à distance ou à l'aide de l'application VictronConnect. Les cas d'utilisation typiques incluent un interrupteur actionné à distance par l'utilisateur et une commande automatique par un contrôleur de batterie, par exemple.





### 3. Consignes de sécurité

**CONSERVEZ CES INSTRUCTIONS - Ce manuel contient des instructions importantes qui doivent être suivies pendant l'installation et la maintenance.**



**WARNING**

**Risque d'explosion due aux étincelles**

- Veuillez lire attentivement ce manuel avec d'installer et d'utiliser le produit.
- Installez le produit dans un environnement résistant à la chaleur. Installez le produit dans un environnement résistant à la chaleur. Vous devez donc vous assurer qu'aucun produit chimique, élément en plastique, rideau ou autre textile ne se trouve à proximité de l'appareil.
- Il est normal que le chargeur Orion Smart CC-CC chauffe en cours de fonctionnement, vous devez donc en éloigner tous les objets sensibles à la chaleur.
- Assurez-vous que l'équipement est utilisé dans les conditions de fonctionnement prescrites. Ne jamais l'utiliser dans un environnement humide.
- Ne jamais utiliser l'appareil dans un endroit présentant un risque d'explosion de gaz ou de poussière.
- Toujours prévoir une ventilation correcte durant la charge.
- Éviter de recouvrir le chargeur.
- Consultez les caractéristiques fournies par le fabricant pour vous assurer que la batterie est adaptée à cet appareil. Les instructions de sécurité du fabricant de la batterie doivent toujours être respectées.
- En plus de ce manuel, le manuel d'utilisation ou d'entretien du système doit inclure des instructions pour l'entretien des batteries correspondant au type de batteries utilisé.
- Ne jamais installer le chargeur sur la batterie durant la charge.

- Éviter les étincelles à proximité de la batterie. Une batterie en cours de charge peut émettre des gaz explosifs.
- Cet appareil n'est pas conçu pour être utilisé par des personnes (y compris des enfants) aux capacités physiques, sensorielles ou intellectuelles réduites, ou dont l'expérience et les connaissances sont insuffisantes, à moins que ces personnes soient formées et encadrées pour l'utilisation de cet appareil.
- Pour les raccordements, utilisez un câble en cuivre multibrins flexible. Le diamètre maximal de chaque brin est de 0,4 mm/0,125 mm<sup>2</sup> (0,016 pouce/AWG26).
- L'installation doit inclure un fusible conformément aux recommandations du tableau « RECOMMANDATIONS CONCERNANT LES CÂBLES ET LES FUSIBLES ».



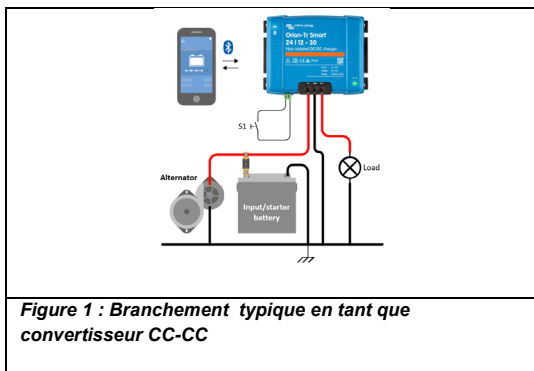
## 4. Installation

### 4.1 Général

- Montez verticalement sur une surface ininflammable, avec les bornes d'alimentation vers le bas. Pour un refroidissement optimal, laissez un espace libre d'au moins 10 cm sous le produit et au-dessus.
- Montez le produit à proximité de la batterie, mais jamais directement au-dessus de la batterie (afin d'éviter tout dommage dû au dégagement gazeux de la batterie).

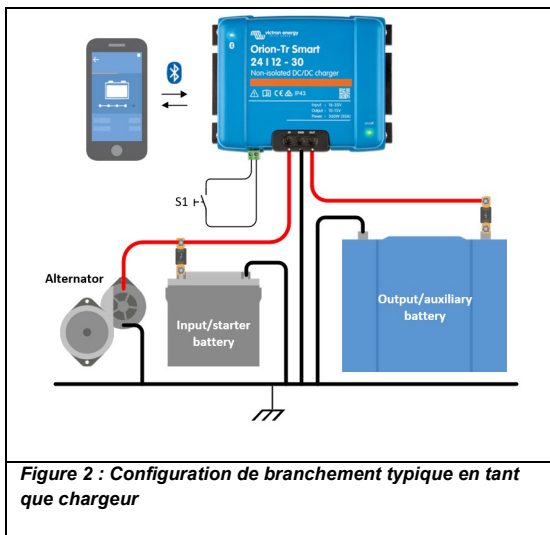
### 4.2 Configuration du branchement pour le mode convertisseur CC-CC

1. Déconnectez l'interrupteur marche/arrêt à distance (retirez le pont de fil).
2. Connectez les câbles d'alimentation d'entrée.
3. Ouvrez l'application VictronConnect pour configurer le produit.  
**(Régler toujours la tension de sortie avant de connecter en parallèle ou de connecter une batterie)**
4. Connectez la charge. Le convertisseur est maintenant prêt à l'emploi.
5. Rebranchez l'interrupteur marche/arrêt à distance pour activer le produit.



### 4.3 Branchement pour le mode chargeur

1. Déconnectez l'interrupteur marche/arrêt à distance (retirez le pont de fil).
2. Connectez les câbles d'alimentation d'entrée.
3. Ouvrez l'application VictronConnect pour configurer le produit.  
**(configurez toujours le bon algorithme de charge avant de brancher une batterie)**
4. Branchez la batterie à charger.
5. Rebranchez l'interrupteur marche/arrêt à distance pour activer le produit.



#### 4.4 Connexion de l'interrupteur marche/arrêt à distance

L'interrupteur marche/arrêt à distance est recommandé pour une utilisation en tant que :

a) Interrupteur câblé entre les broches LH (impédance de niveau entre les broches LH : < 500 k $\Omega$ )

b) Interrupteur câblé entre le positif de la batterie (entrée/démarreur) et la broche H (au niveau : > 3 V) c)

Connexion entre « Déconnexion de charge VE.BMS » et broche H

d) Un interrupteur entre la broche L et la masse

(entrée/démarreur) (au niveau : < 5 V) *Remarque* : Tolérance de tension des broches L et H : +/- 70 V<sub>CC</sub>

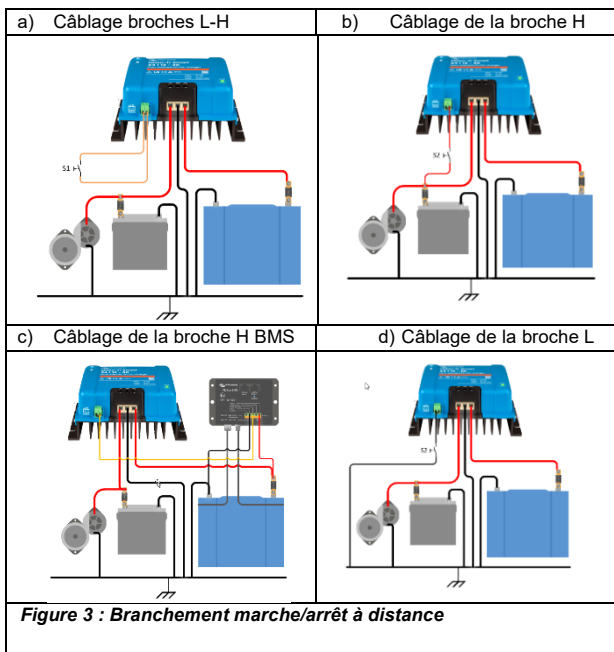
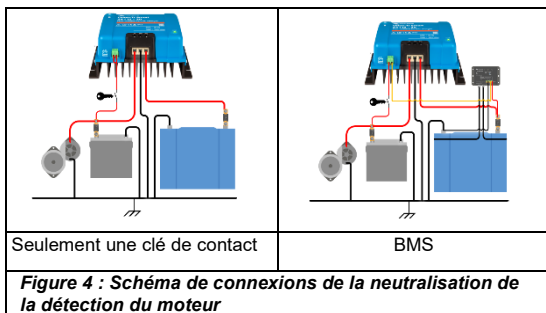


Figure 3 : Branchement marche/arrêt à distance

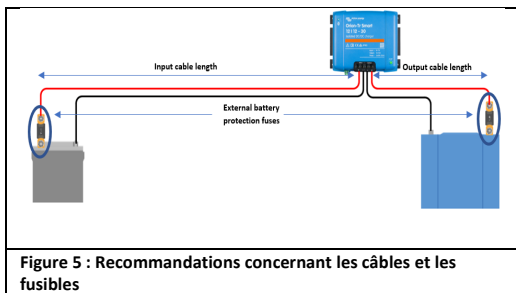
#### 4.5 Neutralisation de la détection du moteur

Lorsque plus de 7 V sont appliqués à la broche L du circuit marche/arrêt à distance, la fonction « neutraliser la détection du moteur » est activée. Le chargeur reste allumé tant que la « neutralisation de la détection du moteur » est active. Avec cette fonction, une commande externe (par exemple une clé de contact, un détecteur de moteur en marche CAN bus) peut déterminer que la charge est autorisée.

La fonction marche/arrêt à distance doit être activée, et donc l'option a) ou b) de la figure 3 doit également être connectée. Voir les exemples de la figure 4 ci-dessous.



## 4.6 Recommandations concernant les câbles et les fusibles



Tension nominale (Entrée ou sortie)	Fusible de protection de la batterie externe	Calibre minimal du câble				
		0,5 m	1 m	2 m	5 m	10 m
12 V	60 A	6 m <sup>2</sup>	10 m <sup>2</sup>	10 m <sup>2</sup>	16 m <sup>2</sup>	6 mm <sup>2</sup>
24 V	30 A	4 m <sup>2</sup>	6 mm <sup>2</sup>	6 mm <sup>2</sup>	10 m <sup>2</sup>	10 m <sup>2</sup>

#### 4.7 Couple recommandé



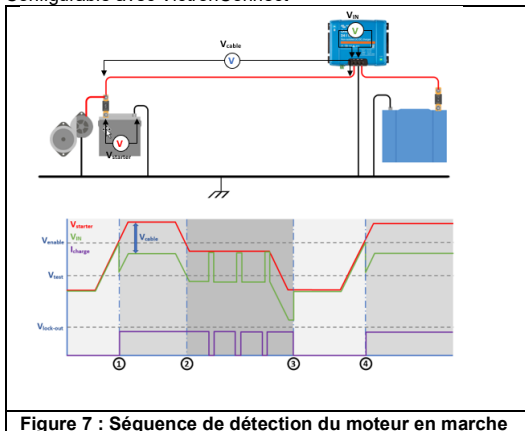


## 5. Compatibilité avec un alternateur connecté

Le moteur tourne La détection est basée sur la tension de la batterie de démarrage. Le chargeur n'est pas toujours capable de mesurer la tension exacte de la batterie de démarrage en raison d'une chute de tension sur le câble d'entrée. La chute de tension est déterminée par des variables telles que l'intensité électrique, la longueur du câble et le calibre du câble. La « séquence de détection du moteur en marche » (voir figure 7) effectuera des tests périodiques pour déterminer la tension exacte de la batterie de démarrage pendant la charge. Le résultat du test détermine si le moteur tourne et si la charge peut donc être activée.

Cette fonction n'est active qu'en mode chargeur et lorsque la « neutralisation de la détection du moteur » n'est pas activée. En mode convertisseur, le « verrouillage de la tension d'entrée » détermine le moment où la sortie est active.

Configurable avec VictronConnect



**0 → 1 :**

Lorsque le moteur tourne, la tension de l'alternateur augmente, et lorsque  $V_{\text{starter}}$  augmente au-dessus de  $V_{\text{enable}}$ , la charge commence.

**1 → 2 :**

En raison du courant de charge, une chute de tension se produit à travers le câble d'entrée ( $V_{\text{cable}}$ ), cette tension réduit la tension à l'entrée du chargeur ( $V_{\text{IN}}$ ). Tant que  $V_{\text{IN}}$  reste supérieure à  $V_{\text{test}}$ , la charge est active.

**2 → 3 :**

Si  $V_{\text{IN}}$  tombe en dessous de  $V_{\text{test}}$ , la « séquence de détection du moteur en marche » démarre. Toutes les 2 minutes, le chargeur est mis en pause pendant 10 secondes pour mesurer la tension. Sans courant électrique,  $V_{\text{IN}}$  est égal à  $V_{\text{starter}}$ . Si  $V_{\text{IN}}$  est supérieure à  $V_{\text{test}}$ , la charge reprend. Tant que le chargeur reste dans cet état, le test est effectué toutes les 2 minutes.

**3 → 4 :**

Pendant la séquence de détection,  $V_{\text{IN}}$  est tombé en dessous de  $V_{\text{test}}$ , ce qui signifie que le moteur a cessé de fonctionner et que la charge doit être arrêtée. La séquence de charge est donc interrompue.

**4 → 5 :**

$V_{\text{IN}}$  augmente au-dessus de  $V_{\text{enable}}$ , les séquences de charge continuent.

## 6. Signification des voyants

Les voyants changeront d'état en fonction de l'activité de l'Orion Smart. L'Orion Smart comporte deux voyants : un bleu dédié à la fonctionnalité Bluetooth, et un vert qui indique l'état de l'appareil.

Voyant d'état (voyant vert)

- **Voyant éteint :**
  - Pas de tension d'entrée
  - Arrêt à distance
  - Arrêt par l'utilisateur
  - Protection contre la surchauffe du connecteur
  - Verrouillage de sous-tension défini par l'utilisateur
  - Moteur arrêté détecté (en mode chargeur)
- **Voyant allumé :**
  - Sortie active en mode convertisseur CC/CC
  - Chargeur en charge flottante (batterie chargée)
- **Voyant clignotant à 1,25 Hz :**
  - Chargeur en étape Bulk ou Absorption (la batterie est en charge)

VOYANT BLEU (Voyant bleu)

- **Voyant éteint :**
  - Pas de tension d'entrée :
- **Voyant clignotant à 0,33 Hz :**
  - Erreur à vérifier sur VictronConnect
- **Voyant clignotant à 1,25 Hz :**
  - Connecté en Bluetooth
- **Voyant clignotant à 2,5 Hz :**
  - Identifier
- **Voyant clignotant toutes les 5 secondes :**
  - Chargeur éteint pour une raison autre qu'un état de panne, comme :
    - Arrêt à distance
    - Arrêt par l'utilisateur
    - Verrouillage de sous-tension défini par l'utilisateur
    - Moteur arrêté détecté (en mode chargeur)
- **Voyant allumé :**
  - Tous les autres états

## 7. Caractéristiques

Chargeur Orion-Tr Smart non isolé 360 - 400 watts	12/12-30 (360 W)	12/24-15 (360 W)
Plage de tension d'alimentation (1)	10-17 V	10-17 V
Arrêt en cas de sous-tension	7 V	7 V
Redémarrage en cas de sous-tension	7,5 V	7,5 V
Tension de sortie nominale	12,2 V	24,2 V
Plage de réglage de la tension de sortie	10-15 V	20-30 V
Tolérance tension de sortie	+/- 20 mV	
Ondulation résiduelle	2 mV rms	
Courant de sortie continu à la tension de sortie nominale et 40 °C	30 A	15 A
Courant de sortie max. (10 s) à la tension de sortie nominale	40 A	25 A
Courant de court-circuit (A)	60 A	40 A
Puissance de sortie continue à 25 °C	430 W	430 W
Puissance de sortie continue à 40°C	360 W	360 W
Rendement	87 %	88 %
Courant de charge sans charge	< 80 mA	< 100 mA
Courant de veille	< 1m A	< 1m A
Isolement galvanique	200 V CC entre entrée, sortie et boîtier	
Plage de températures de fonctionnement	De - 20 à + 55 °C (au-delà de 40 °C, baisse de 3 % par °C)	
Humidité	95 % maximum (sans condensation)	
Connexion CC	Bornes à vis	
Section de câble maximale	AWG6 16 mm <sup>2</sup>	
Poids	Modèles entrée 12 V et/ou sortie 12 V : 1,8 kg (3 lb) Autres modèles : 1,6 kg (3,5 lb)	
Dimensions (H x l x p)	Modèles entrée 12 V et/ou sortie 12 V : 130 x 186 x 80 mm (5,1 x 7,3 x 3,2 pouces) Autres modèles : 130 x 186 x 70 mm (5,1 x 7,3 x 2,8 inch)	
Normes : Sécurité	EN 60950	
Émission	EN 61000-6-3, EN 55014-1	
Immunité	EN 61000-6-2, EN 61000-6-1, EN 55014-2	
Directive automobile	ECE R10-5	
1) Si elle est réglée sur la valeur nominale ou une valeur inférieure, la tension de sortie restera stable dans la plage de tensions d'entrée spécifiée (fonction dévolteur-survolteur). Si le réglage de la tension de sortie dépasse la valeur nominale d'un certain pourcentage, la tension d'entrée minimale à laquelle la tension de sortie restera stable (sans diminuer) augmentera du même pourcentage.		

## Caractéristiques techniques : suite

Chargeur Orion-Tr Smart non isolé 360 - 400 watts	24/12-30 (360 W)	24/24-17 (400 W)
Plage de tension d'alimentation (1)	20-35 V	20-35 V
Arrêt en cas de sous-tension	14 V	14 V
Redémarrage en cas de sous-tension	15 V	15 V
Tension de sortie nominale	12,2 V	24,2 V
Plage de réglage de la tension de sortie	10-15 V	20-30 V
Tolérance tension de sortie	+/- 20 mV	
Ondulation résiduelle	2 mV rms	
Courant de sortie continu à la tension de sortie nominale et 40 °C	30 A	17 A
Courant de sortie max. (10 s) à la tension de sortie nominale	45 A	25 A
Courant de court-circuit (A)	60 A	40 A
Puissance de sortie continue à 25 °C	430 W	480 W
Puissance de sortie continue à 40° C	360 W	400 W
Rendement	88 %	89 %
Courant de charge sans charge	< 100 mA	< 80 mA
Courant de veille	< 1m A	< 1m A
Isolement galvanique	200 V CC entre entrée, sortie et boîtier	
Plage de températures de	De - 20 à + 55 °C (au-delà de 40 °C, baisse de 3 % par °C)	
Humidité	95 % maximum (sans condensation)	
Connexion CC	Bornes à vis	
Section de câble maximale	AWG6 16 mm <sup>2</sup>	
Poids	Modèles entrée 12 V et/ou sortie 12 V : 1,8 kg (3 lb) Autres modèles : 1,6 kg (3,5 lb)	
Dimensions (H x l x p)	Modèles entrée 12 V et/ou sortie 12 V : 130 x 186 x 80 mm (5,1 x 7,3 x 3,2 pouces) Autres modèles : 130 x 186 x 70 mm (5,1 x 7,3 x 2,8 inch)	
Normes : Sécurité	EN 60950	
Émission	EN 61000-6-3, EN 55014-1	
Immunité	EN 61000-6-2, EN 61000-6-1, EN 55014-2	
Directive automobile	ECE R10-5	
1) Si elle est réglée sur la valeur nominale ou une valeur inférieure, la tension de sortie restera stable dans la plage de tensions d'entrée spécifiée (fonction dévolteur-survolteur). Si le réglage de la tension de sortie dépasse la valeur nominale d'un certain pourcentage, la tension d'entrée minimale à laquelle la tension de sortie restera stable (sans diminuer) augmentera du même pourcentage.		



# 1. Allgemeine Beschreibung

Die Orion Smart DC-DC-Ladegeräte sind speziell entwickelte DC-DC-Wandler für kontrollierte Ladung oder festen Ausgangsmodus. Im Ladebetrieb verlängert der Drei-Stufen-Ladealgorithmus die Akkulaufzeit, indem er den Akku ordnungsgemäß auflädt. Insbesondere bei Fahrzeugen mit einer intelligenten Steuerung der Lichtmaschine oder bei Spannungsabfällen, die durch lange Kabelwege verursacht werden, ist eine kontrollierte Ladung unerlässlich. Eine kontrollierte Ladung schützt die Lichtmaschine auch in Lithiumsystemen, in denen eine direkte Ladung die Lichtmaschine aufgrund der niedrigen Impedanz der Lithiumbatterie überlasten kann. Im festen Ausgangsmodus bleibt die Ausgangsspannung unabhängig von der angelegten Last oder variierenden Eingangsspannungen (innerhalb des angegebenen Bereichs) stabil.

Um sicherzustellen, dass die Starterbatterie des Fahrzeugs immer mit Priorität geladen wird, liefert das Orion Smart DC-DC-Ladegerät nur dann Strom, wenn der Motor läuft. Dies ist dank der integrierten Motorabschaltungserkennung möglich. Dadurch wird des Weiteren verhindert, dass die bordeigene Spannung des Fahrzeugs zu schwach wird. Somit ist es nicht notwendig, in das Fahrzeugsystem einzugreifen, einen separaten Sensor zur Erkennung des Motorbetriebs zu installieren oder etwas am CAN-Bus-System zu verändern. Neben dieser Erkennung kann das Orion Smart DC-DC-Ladegerät auch durch eine Zwangsladefunktion aktiviert werden, die z.B. an den Zündschalter angeschlossen ist.

Das Orion Smart DC-DC-Ladegerät ist mit der VictronConnect-App voll programmierbar.

Entdecken Sie hier alle Einrichtungsmöglichkeiten:

<https://www.victronenergy.com/live/victronconnect:start>

## 2. Eigenschaften

### **Intelligente Lichtmaschinenkompatibilität**

Die Fahrzeughersteller führen nun intelligente, ECU-gesteuerte Lichtmaschinen (Engine Control Unit) ein, um die Kraftstoffeffizienz zu erhöhen und die Emissionen zu senken. Intelligente Lichtmaschinen liefern eine variable Leistung und werden abgeschaltet, wenn sie nicht benötigt werden. Der Wandler verfügt über eine einzigartige Funktion, mit der erkannt wird, wenn der Motor in Betrieb ist. Dadurch wird verhindert, dass der Wandler die Starterbatterie entlädt, wenn die Lichtmaschine keinen Strom liefert. Siehe Kapitel "5. Intelligente Lichtmaschinen-Kompatibilität" für weitere Details. Konfigurierbar mit Victron Connect.

### **Trennung der Starterbatterie und der Servicebatterie**

Der Orion DC-DC Smart Charger nicht isoliert trennt die Starterbatterie von der Servicebatterie, wenn der Motor nicht läuft.

### **Umfangreicher elektronischer Schutz**

Übertemperaturschutz und Leistungsreduzierung bei hohen Temperaturen.

Überlastgeschützt.

Kurzschlussgeschützt.

Übertemperaturschutz des Steckverbinders.

### **Adaptives dreistufiges Laden**

Der nicht isolierte Orion DC-DC Smart Charger ist für einen dreistufigen Ladevorgang konfiguriert: Konstantstrom – Konstantspannung – Ladeerhaltungsspannung

#### Konstantstrom

Während dieser Phase liefert die Steuerung so viel Ladestrom wie möglich, um die Batterien schnell aufzuladen.

#### Konstantspannung

Wenn die Batteriespannung die eingestellte Konstantspannung erreicht, schaltet die Steuerung in den Konstantspannungsmodus. Bei Bleibatterien ist es wichtig, dass bei flachen Entladungen die Konstantspannungsphase kurz gehalten wird, um eine Überladung der



Batterie zu vermeiden. Nach einer Tiefentladung wird die Konstanzspannungsphase automatisch verlängert, um sicherzustellen, dass die Batterie vollständig auflädt. Bei Lithiumbatterien ist die Konstanzspannungsphase fest eingestellt, typischerweise 2 Stunden, der feste oder adaptive Modus kann bei den Batterieeinstellungen gewählt werden.

#### Ladeerhaltungsspannung

Während dieser Phase wird die Batterie mit einer Ladeerhaltungsspannung versorgt, um sie in einem vollständig geladenen Zustand zu halten. Wenn die Batteriespannung aufgrund einer hohen Belastung unter die Re-Konstantstromspannung fällt, wird während mindestens 1 Minute ein neuer Ladezyklus ausgelöst.

### **Flexibler Ladealgorithmus**

Programmierbarer Ladealgorithmus und acht vorprogrammierte Batterieeinstellungen.

Konfigurierbar mit VictronConnect.

### **Adaptive Konstanzspannungsphase**

Berechnet automatisch die richtige Konstanzspannungsphase.

Konfigurierbar mit Victron Connect.

### **Konfiguration und Überwachung**

Bluetooth Smart integriert: die drahtlose Lösung zum Einrichten, Überwachen und Aktualisieren des Controllers mit Apple- und Android-Smartphones, Tablets oder anderen Geräten.

Mehrere Parameter lassen sich mit der VictronConnect App individuell anpassen.

Die VictronConnect App kann heruntergeladen werden unter:

<http://www.victronenergy.nl/support-and-downloads/software/>

Verwenden Sie das Handbuch - VictronConnect -, um das Beste aus der VictronConnect App herauszuholen, wenn sie an einen Orion Smart angeschlossen ist:

<https://www.victronenergy.com/live/victronconnect:start>

### **Eingangsspannungssperre**

Abschalten, wenn die Eingangsspannung unter den Sperrwert fällt und

kontinuierlich, wenn die Eingangsspannung über den Neustartwert steigt.

Konfigurierbar mit Victron Connect.

### **Fern-Ein/Aus**

Verwenden Sie die Fernfunktion, um das Gerät über den Fern-Ein/Aus-Anschluss oder mit der VictronConnect-App ferngesteuert zu aktivieren und zu deaktivieren. Typische Anwendungsfälle sind ein benutzerdefinierter fest verdrahteter Schalter und die automatische Steuerung durch z.B. ein Batteriemanagementsystem.

### 3. Sicherheitshinweise

**SPEICHERN SIE DIESE ANWEISUNGEN - Dieses Handbuch enthält wichtige Anweisungen, die bei der Installation und Instandhaltung zu beachten sind.**



**WARNING**

**Explosionsgefahr bei  
Funkenbildung**

- Es wird empfohlen, dieses Handbuch vor der Installation und Inbetriebnahme des Produktes sorgfältig zu lesen.
- Installieren Sie das Gerät in brandsicherer Umgebung. Stellen Sie sicher, dass keine brennbaren Chemikalien, Plastikteile, Vorhänge oder andere Textilien in unmittelbarer Nähe sind.
- Es ist normal, dass das Orion Smart DC-DC-Ladegerät während des Betriebs heiß wird, halten Sie alle hitzeempfindlichen Gegenstände fern.
- Stellen Sie sicher, dass das Gerät entsprechend den vorgesehenen Betriebsbedingungen genutzt wird. Betreiben Sie das Gerät niemals in nasser Umgebung.
- Benutzen Sie das Gerät nie an gasgefährdeten oder staubbelasteten Orten (Explosionsgefahr).
- Sorgen Sie während des Ladevorgangs stets für eine ausreichende Belüftung.
- Das Ladegerät nicht bedecken.
- Vergewissern Sie sich anhand der vom Hersteller der Batterie angegebenen Spezifikationen, dass die Batterie für die Verwendung mit diesem Produkt geeignet ist. Beachten Sie stets die Sicherheitshinweise des Batterieherstellers.
- Zusätzlich zu diesem Handbuch muss das Betriebs- oder Wartungshandbuch des Systems ein Batteriewartungshandbuch enthalten, das für den verwendeten Batterietyp gilt.
- Während des Aufladens niemals das Ladegerät auf die Batterie legen.

- Funken in Batterienähe verhindern. Eine aufladende Batterie kann explosive Gase produzieren.
- Dieses Gerät darf nicht von Personen (einschließlich Kindern) mit eingeschränkter körperlicher, sensorischer oder geistiger Leistungsfähigkeit oder mangelnder Erfahrung und Kenntnis verwendet werden, es sei denn, sie wurden beaufsichtigt oder unterwiesen.
- Verwenden Sie für die Verbindungen flexible mehrsträngige Kupferkabel. Der Durchmesser der einzelnen Adern darf höchstens 0,4 mm/0,125 mm<sup>2</sup> (0,016 Zoll/AWG26) betragen.
- Die Installation muss eine Sicherung gemäß den Empfehlungen in der Tabelle "KABEL- UND SICHERUNGSEMPFEHLUNGEN" beinhalten.

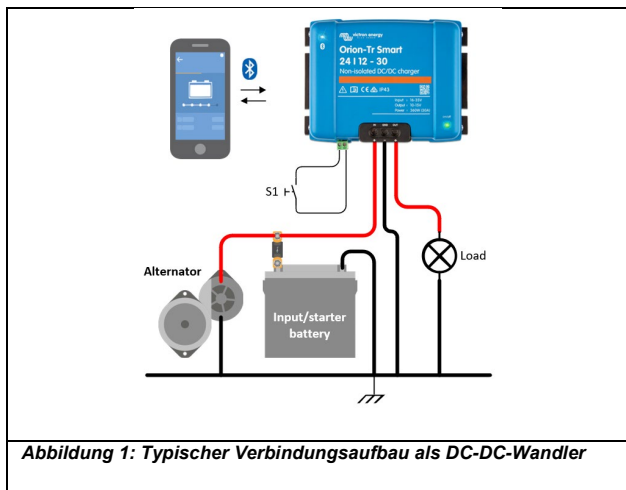
## 4. Installation

### 4.1 Allgemeines

- Montieren Sie vertikal auf einer nicht brennbaren Fläche, wobei die Leistungsklemmen nach unten zeigen. Für eine optimale Kühlung ist ein Mindestabstand von 10 cm unter und über dem Produkt einzuhalten.
- Montieren Sie in der Nähe der Batterie, aber niemals direkt über der Batterie (um Schäden durch Begasung der Batterie zu vermeiden).

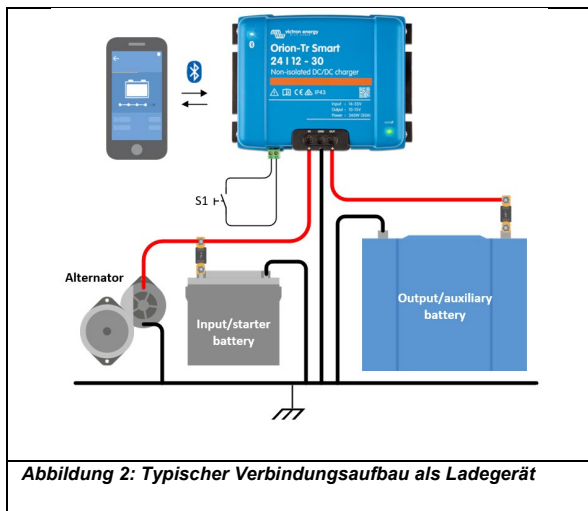
### 4.2 Verbindungsaufbau für den DC-DC-Wandlermodus

1. Fern-Ein/Aus trennen (Drahtbrücke entfernen).
2. Schließen Sie die Versorgungskabel am Eingang an.
3. Öffnen Sie die VictronConnect App, um das Produkt einzurichten.  
**(Passen Sie immer zunächst die Ausgangsspannung an, bevor Sie die Geräte parallel schalten oder eine Batterie anschließen.)**
4. Schließen Sie die Last an. Der Konverter ist nun einsatzbereit.
5. Fern-Ein/Aus wieder anschließen, um das Produkt zu aktivieren.



### 4.3 Verbindungsaufbau für den Ladebetrieb

1. Fern-Ein/Aus trennen (Drahtbrücke entfernen).
2. Schließen Sie die Versorgungskabel am Eingang an.
3. Öffnen Sie die VictronConnect App, um das Produkt einzurichten.  
**(richten Sie immer den richtigen Ladealgorithmus ein, bevor Sie eine Batterie anschließen).**
4. Schließen Sie die zu ladende Batterie an.
5. Fern-Ein/Aus wieder anschließen, um das Produkt zu aktivieren.

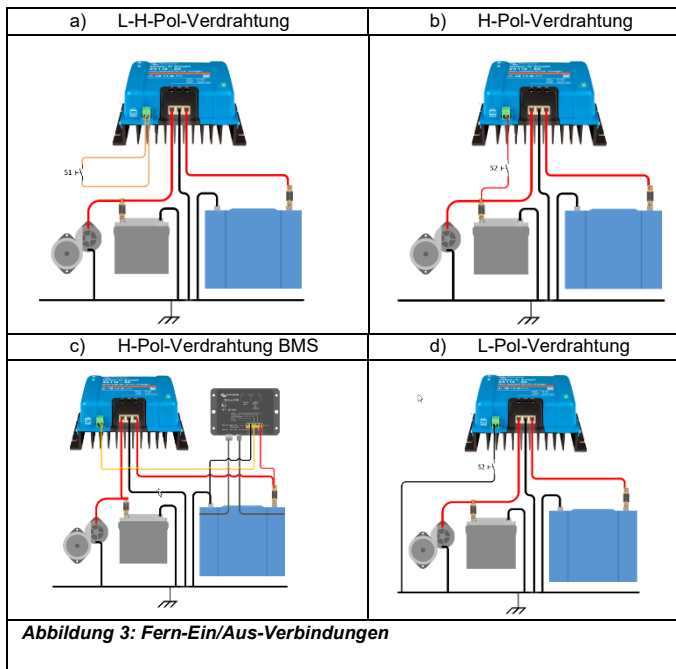


#### 4.4 Verbindung Fern-Ein/Aus

Die empfohlene Verwendung des Fern-Ein/Aus ist:

- a) Ein Schalter, der zwischen den L-H-Polen verdrahtet ist (Pegelimpedanz zwischen den L-H-Polen):  $< 500\text{k}\Omega$
- b) Ein Schalter, der zwischen (Eingang/Starter) Batterie Plus und H-Pol (auf Niveau) geschaltet ist:  $> 3\text{ V}$
- c) Verbindung zwischen "VE.BMS Ladeabschaltung" und H-Pol
- d) Ein Schalter zwischen dem L-Pol und (Eingangs-/Starter-) Masse (auf Level):  $< 5\text{ V}$

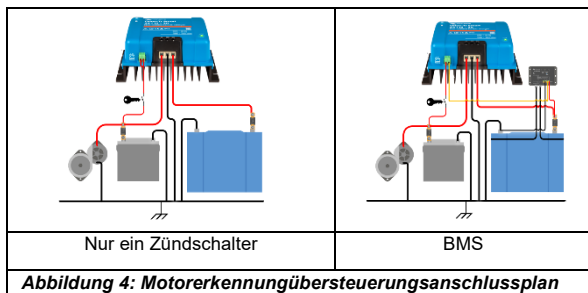
Hinweis: Spannungstoleranz L & H Pol:  $\pm 70\text{ V}_{\text{DC}}$



#### 4.5 Übersteuerung der Motorerkennung

Das Anlegen von  $>7\text{ V}$  am L-Pol des Fern-Ein/Aus-Schaltkreises aktiviert die Funktion "Übersteuerung der Motorerkennung". Das Ladegerät ist eingeschaltet, solange die "Übersteuerung der Motorerkennung" aktiv ist. Mit dieser Funktion kann eine externe Steuerung (z.B. Zündschalter, CAN-Bus-Motor auf Detektor) feststellen, ob das Laden erlaubt ist.

Die Fern-Ein/Aus-Funktion muss ebenfalls aktiviert werden, so dass die Option a) oder b) in Abbildung 3 ebenfalls angeschlossen werden muss. Siehe Beispiele in Abbildung 4 unten.





## 4.6 Kabel- und Sicherungsempfehlungen

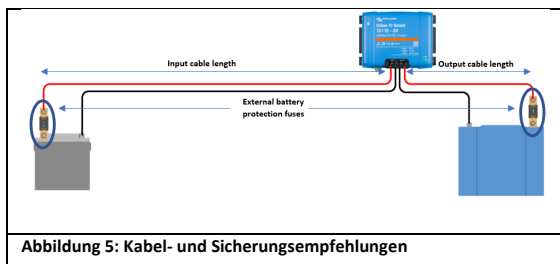


Abbildung 5: Kabel- und Sicherungsempfehlungen

		Minimaler Kabelquerschnitt				
Nennspannung (Eingang oder Ausgang)	Sicherung der externen Batterie	0,5 m	1 m	2m	5m	10m
		12 V	60 A	6 mm <sup>2</sup>	10m m <sup>2</sup>	10m m <sup>2</sup>
24V	30 A	4mm <sup>2</sup>	6mm <sup>2</sup>	6mm <sup>2</sup>	10m m <sup>2</sup>	10m m <sup>2</sup>

EN

NL

FR

DE

SV

CZ

## 4.7 Empfohlenes Drehmoment



## 5. Intelligente Lichtmaschinenkompatibilität

Die Erkennung des Motorlaufs basiert auf der Spannung der Starterbatterie. Das Ladegerät ist nicht immer in der Lage, die genaue Spannung der Starterbatterie zu messen, da der Spannungsabfall über das Eingangskabel erfolgt. Der Spannungsabfall wird durch Variablen wie Strom, Kabellänge und Kabelquerschnitt bestimmt. Die "Motor auf Erkennungssequenz" (siehe Abbildung 7) führt regelmäßige Tests durch, um die genaue Spannung der Starterbatterie während des Ladevorgangs zu bestimmen. Das Testergebnis bestimmt, ob der Motor läuft und das Laden aktiviert werden kann.

Diese Funktion ist nur im Lader-Modus aktiv und wenn die "Motorerkennungübersteuerung" nicht aktiviert ist. Im Umrichtermodus bestimmt die "Eingangsspannungssperre", wann der Ausgang aktiv ist.

Konfigurierbar mit VictronConnect

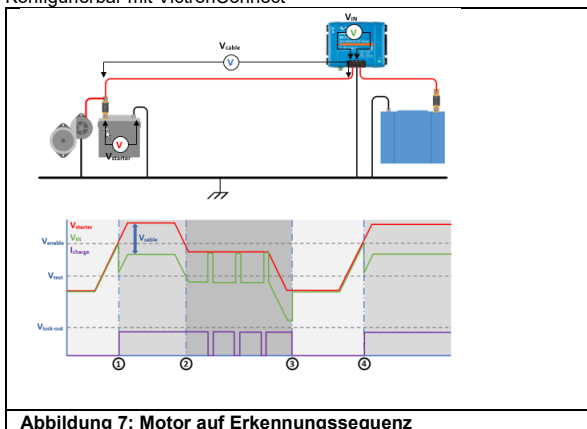


Abbildung 7: Motor auf Erkennungssequenz

**0 → 1:**

Wenn der Motor läuft, wird die Lichtmaschinen­spannung hochgefahren, wenn der  $V_{\text{starter}}$  über  $V_{\text{aktivieren}}$  steigt, beginnt das Laden.

**1 → 2:**

Durch den Ladestrom entsteht ein Spannungsabfall über dem Eingangskabel ( $V_{\text{Kabel}}$ ), diese Spannung reduziert die Spannung am Eingang des Lade­geräts ( $V_{\text{IN}}$ ). Während die  $V_{\text{IN}}$  über  $V_{\text{test}}$  bleibt, ist das Laden aktiviert.

**2 → 3:**

Fällt  $V_{\text{IN}}$  unter  $V_{\text{test}}$ , wird der "Motor bei Erkennungs­sequenz" gestartet. Alle 2 Minuten wird das Lade­gerät für 10 Sekunden angehalten, um die Spannung zu messen. Ohne Stromfluss ist die  $V_{\text{IN}}$  gleich  $V_{\text{starter}}$ , wenn die  $V_{\text{IN}}$  über  $V_{\text{test}}$  liegt, wird der Ladevorgang fortgesetzt. Unter Beibehaltung dieses Zustandes wird der Test alle 2 Minuten durchgeführt.

**3 → 4:**

Während der Erkennungs­sequenz  $V_{\text{IN}}$  unter  $V_{\text{test}}$  gefallen ist, bedeutet dies, dass der Motor gestoppt wurde und das Laden gestoppt werden muss, die Ladesequenz wird angehalten.

**4 → 5:**

Die  $V_{\text{IN}}$  steigt über  $V_{\text{aktivieren}}$ , die Ladesequenzen gehen weiter.

## 6. LED angezeigt

Die LEDs werden ihren Status ändern, um zu warnen, was der Orion Smart im Moment tut. Es gibt zwei LEDs, die blaue LED ist für die Bluetooth-Funktionalität und die grüne LED für den Produktstatus bestimmt.

### Status-LED (grüne LED)

- **LED Aus:**
  - Keine Eingangsspannung;
  - Fernabschaltung;
  - Herunterfahren durch den Benutzer;
  - Übertemperaturschutz des Steckverbinders
  - Benutzerdefinierte Unterspannungssperre
  - Motor aus erkannt (im Ladegerät-Modus)
- **LED An:**
  - Ausgang aktiv im DC/DC-Wandler-Modus;
  - Ladegerät im Ladeerhaltungsspannungszustand (Batterie geladen);
- **LED blinkt bei 1,25Hz:**
  - Ladegerät im Konstantstrom- oder Konstantspannungszustand (Batterie wird geladen);

### BLE LED (Blaue LED)

- **LED Aus:**
  - Keine Eingangsspannung;
- **LED blinkt bei 0,33 Hz:**
  - Fehler - muss auf VictronConnect überprüft werden;
- **LED blinkt bei 1,25 Hz:**
  - Verbindung über Bluetooth;
- **LED blinkt bei 2,5 Hz:**
  - Identifizieren;
- **LED blinkt einmal alle 5 Sekunden:**
  - Ladegerät aus wegen Nicht-Fehlerbedingungen als:
    - Fernabschaltung;
    - Herunterfahren durch den Benutzer;
    - Benutzerdefinierte Unterspannungssperre;
    - Motor aus erkannt (im Ladegerät-Modus)
- **LED an:**
  - Alle anderen Bedingungen;

## 7. Technische Daten

Orion-Tr Smart Ladegerät nicht isoliert 360 - 400 Watt	12/12-30 (360 W)	12/24-15 (360 W)
Eingangsspannungsbereich (1)	10-17 V	10-17 V
Abschalten wegen Unterspannung	7V	7V
Neustart nach Unterspannung	7,5V	7,5V
Nennwert Ausgangsspannung	12,2V	24,2V
regulierbarer Ausgangsspannungsbereich	10-15V	20-30V
Toleranz Ausgangsspannung:	+/- 20 mV	
Rauschen Ausgang	2 mV rms	
Kontinuierlicher Ausgangsstrom bei Nennausgangsspannung und 40°C	30 A	15A
Maximaler Ausgangsstrom (10 s) bei Nennwert Ausgangsspannung	40A	25A
Kurzschluss Ausgangsstrom	60A	40A
Kont. Ausgangsleistg. bei 25°C	430 W	430 W
Kont. Ausgangsleistg. bei 40°C	360W	360W
Wirkungsgrad	87%	88%
Kein Lasteingangslaststrom	< 80 mA	< 100mA
Ruhestrom	< 1mA	< 1mA
galvanische Trennung	200 V DC zwischen Eingang, Ausgang und Gehäuse	
Betriebstemperaturbereich	-20 bis +55°C (Minderung der Leistung 3 % pro °C über 40°C)	
Feuchte	max. 95 % nicht kondensierend	
Gleichstrom-Anschluss	Schraubenklemmen	
Maximaler Querschnitt des Kabels	16 mm <sup>2</sup> AWG6	
Gewicht	12 V Eingangs- bzw. 12 V Ausgangsmodelle: 1,8 kg (3 lb) Andere Modelle: 1,6 kg (3,5 lb)	
Abmessungen HxBxT	12 V Eingangs- bzw. 12 V Ausgangsmodelle: 130 x 186 x 80 mm (5,1 x 7,3 x 3,2 Zoll) Andere Modelle: 130 x 186 x 70 mm (5,1 x 7,3 x 2,8 Zoll)	
Normen: Sicherheit Emission Störfestigkeit Automobil-Richtlinie	EN 60950 EN 61000-6-3, EN 55014-1 EN 61000-6-2, EN 61000-6-1, EN 55014-2 ECE R10-5	
1)	Wird die Ausgangsspannung auf nominal oder niedriger als nominal eingestellt, bleibt sie innerhalb des angegebenen Eingangsspannungsbereichs stabil (Buck-Boost-Funktion). Wenn die Ausgangsspannung um einen bestimmten Prozentsatz höher als der Nennwert eingestellt wird, steigt die minimale Eingangsspannung, bei der die Ausgangsspannung stabil bleibt (nicht sinkt), um den gleichen Prozentsatz.	



# Technische Daten - Fortsetzung

EN

NL

FR

DE

SV

CZ

Orion-Tr Smart Ladegerät nicht isoliert 360 - 400 Watt	24/12-30 (360 W)	24/24-17 (400W)
Eingangsspannungsbereich (1)	20-35V	20-35V
Abschalten wegen Unterspannung	14V	14V
Neustart nach Unterspannung	15V	15V
Nennwert Ausgangsspannung	12,2V	24,2V
regulierbarer Ausgangsspannungsbereich	10-15V	20-30V
Toleranz Ausgangsspannung:	+/- 20 mV	
Rauschen Ausgang	2 mV rms	
Kontinuierlicher Ausgangsstrom bei Nennausgangsspannung und 40°C	30A	17A
Maximaler Ausgangsstrom (10 s) bei Nennwert Ausgangsspannung	45A	25A
Kurzschluss Ausgangsstrom	60 A	40A
Kont. Ausgangsleistg. bei 25°C	430W	480W
Kont. Ausgangsleistg. bei 40°C	360W	400W
Wirkungsgrad	88%	89%
Kein Lasteingangslaststrom	< 100mA	< 80mA
Ruhestrom	< 1mA	< 1mA
galvanische Trennung	200 V DC zwischen Eingang, Ausgang und Gehäuse	
Betriebstemperaturbereich	-20 bis +55°C (Minderung der Leistung 3 % pro °C über 40°C)	
Feuchte	max. 95 % nicht kondensierend	
Gleichstrom-Anschluss	Schraubenklemmen	
Maximaler Querschnitt des Kabels	16 mm <sup>2</sup> AWG6	
Gewicht	12 V Eingangs- bzw. 12 V Ausgangsmodelle: 1,8 kg (3 lb) Andere Modelle: 1,6 kg (3,5 lb)	
Abmessungen HxBxT	12 V Eingangs- bzw. 12 V Ausgangsmodelle: 130 x 186 x 80 mm (5,1 x 7,3 x 3,2 Zoll) Andere Modelle: 130 x 186 x 70 mm (5,1 x 7,3 x 2,8 Zoll)	
Normen: Sicherheit Emission Störfestigkeit Automobil-Richtlinie	EN 60950 EN 61000-6-3, EN 55014-1 EN 61000-6-2, EN 61000-6-1, EN 55014-2 ECE R10-5	
1)	Wird die Ausgangsspannung auf nominal oder niedriger als nominal eingestellt, bleibt sie innerhalb des angegebenen Eingangsspannungsbereichs stabil (Buck-Boost-Funktion). Wenn die Ausgangsspannung um einen bestimmten Prozentsatz höher als der Nennwert eingestellt wird, steigt die minimale Eingangsspannung, bei der die Ausgangsspannung stabil bleibt (nicht sinkt), um den gleichen Prozentsatz.	





# 1. Allmän beskrivning

Laddarna Orion Smart DC-DC är särskilt framtagna DC-DC-omvandlare för kontrollerad laddning eller fast utgångsläge. I laddningsläge kommer laddningsalgoritmen med tre tillstånd att öka batteriets livslängd genom att ladda batteriet korrekt. Framför allt när det gäller fordon med en generator-smartkontroll eller spänningsfall som orsakas av långa kabeldragningar är kontrollerad laddning nödvändig. Kontrollerad laddning skyddar också generatoren i litiumsystem där direktladdning kan överbelasta generatoren på grund av litumbatteriets låga impedans. I fast utgångsläge kommer utgångsspänningen att förbli stabil oberoende av den applicerade belastningen eller varierande ingångsspänning (inom det angivna intervallet).

För att säkerställa att laddningen av fordonets startbatteri prioriteras kommer Orion Smart DC-DC-laddaren endast att leverera ström när motorn är igång. Detta är möjligt tack vare den inbyggda motoravstängningsdetektorn. Detta förhindrar också att fordonets spänning blir för låg. Det är inte nödvändigt att gå in i fordonets system, installera en separat sensor för när motorn är igång eller gå in i CAN Bus-systemet. Bortsett från denna spårning kan Orion Smart DC-DC-laddare också aktiveras med en tvingande tillåtet att ladda funktion, t.ex. ansluten till tändningsomkopplaren.

Orion Smart DC-DC-laddaren är fullt programmerbar med VictronConnect-appen.

Upptäck alla installationsmöjligheter här:

<https://www.victronenergy.com/live/victronconnect:start>

## 2. Funktioner

### **Smart generatorkompatibilitet**

Fordonstillverkare introducerar nu smarta ECU-styrenheter (Engine Control Unit) för att öka bränsleeffektiviteten och minska utsläppen. Smarta generatorer levererar en variabel utgång och stängs av när de inte behövs. Omvandlaren har en unik funktion för att kunna detektera att en fordonsmotor är igång. Detta förhindrar att omvandlaren laddar ur startbatteriet om generatormotorn inte levererar ström. Se avsnitt "5. Smart generatorkompatibilitet" för fler detaljer.

Konfigurerbar med VictronConnect.

### **Separation av startbatteriet och servicebatteriet**

Den icke-isolerade Orion Smart DC-DC-laddaren skiljer startbatteriet från servicebatteriet när motorn inte är igång.

### **Omfattande elektroniskt skydd**

Övertemperaturskydd och effektneddragning när temperaturen är hög.

Överbelastningsskyddad.

Kortslutningsskyddad.

Anslutning för övertemperaturskydd.

### **Anpassningsbar laddning i tre steg**

Den icke-isolerade Orion Smart DC-DC-laddaren är konfigurerad för en laddningsprocess i tre steg: Bulk – Absorption - Float.

#### Bulk

Under detta steg levererar regulatormotorn så mycket laddningsström som möjligt för att snabbt ladda batterierna.

#### Absorption

När batterispänningen når absorptionsspänningsinställningen, växlar regulatormotorn till konstant spänningsläge. För blybatterier är det viktigt att absorptionstiden under grund urladdning hålls kort för att förhindra överladdning av batteriet. Efter en djup urladdning ökas absorptionstiden automatiskt för att säkerställa att batteriet laddas upp fullständigt. För litiumbatterier är

absorptionstiden fast, oftast 2 timmar. De olika lägena, fast eller anpassningsbart, kan väljas i batteriinställningarna.

#### Float

I detta skede appliceras floatspänningen på batteriet för att hålla det fulladdat. När batterispänningen sjunker under spänningsgränsen för att återgå till bulk, till exempel på grund av hög belastning under minst 1 minut, kommer en ny laddningscykel att utlösas.

### **Flexibel laddningsalgoritm**

Programmerbar laddningsalgoritm och åtta förprogrammerade batteriinställningar.

Konfigurerbar med VictronConnect.

### **Anpassad absorptionstid**

Beräknar automatiskt rätt absorptionstid.

Konfigurerbar med VictronConnect.

### **Konfigurering och övervakning**

Inbyggd Bluetooth Smart: den trådlösa lösningen för att konfigurera, övervaka och uppdatera regulatorn med Apples och Androids smarta telefoner, surfplattor eller andra enheter.

Flera parametrar kan anpassas med appen VictronConnect.

Appen VictronConnect kan laddas ner från:

<http://www.victronenergy.nl/support-and-downloads/software/>

Använd manualen — VictronConnect — för att få ut mesta möjliga av VictronConnect-appen när den är ansluten till en Orion Smart:

<https://www.victronenergy.com/live/victronconnect:start>

### **Låsning ingångsspänning**

Stängs av om ingångsspänningen sjunker under låsningsvärdet och startar om när ingångsspänningen ökar över omstartsvärdet.

Konfigurerbar med VictronConnect.

## **Fjärrstyrd På/Av**

Använd fjärrstyrningsfunktionen för att aktivera och inaktivera enheten med på/av-kontaktdonet eller med VictronConnect-appen. Vanliga fall av användning inkluderar en fast ansluten strömbrytare och automatisk styrning av till exempel ett batterihanteringssystem.

### 3. Säkerhetsinstruktioner

**SPARA DESSA INSTRUKTIONER** — Denna manual innehåller viktiga instruktioner som ska följas under installation och underhåll.



**WARNING**

**Risk för explosion på grund av  
gnistbildning**

- Var vänlig läs denna manual noggrant innan du installerar och använder enheten.
- Installera enheten i en värmeskyddad miljö. Säkerställ därför att det inte finns några kemikalier, plastdelar, gardiner eller andra textilier m.m. i utrustningens omedelbara närhet.
- Det är normalt att Orion Smart DC-DC-laddare blir varm under drift. Håll alla värmekänsliga föremål borta.
- Säkerställ att utrustningen används under korrekta användningsförhållanden. Använd aldrig enheten i fuktiga miljöer.
- Använd inte produkten på platser där gas- eller dammexplosioner kan inträffa.
- Se alltid till att det finns bra ventilation under laddningen.
- Undvik att täcka över laddaren.
- Kontrollera batteritillverkarens instruktioner för att säkerställa att batteriet passar för användning tillsammans med denna enhet. Batteritillverkarens säkerhetsinstruktioner ska alltid respekteras.
- Utöver denna manual måste systemdrifts- eller servicemanualen innehålla en batteriunderhållsmanual som är tillämplig på den typ av batterier som används.
- Placera aldrig laddaren ovanpå ett batteri som håller på att laddas.

EN

NL

FR

DE

SV

CZ

- Undvik gnistbildning nära batteriet. Ett batteri som laddas kan släppa ut explosiva gaser.
- Denna apparat är inte avsedd att användas av personer (inklusive barn) med nedsatt fysisk, sensorisk eller mental förmåga eller som saknar erfarenhet och kunskap, om de inte har fått handledning eller instruktion.
- Använd flexibel fler-trådig kopparkabel för anslutningarna. Maximal diameter på de enskilda trådarna är 0,4 mm/0,125 mm<sup>2</sup> (0,016 tum/AWG26).
- Installationen måste innehålla en säkring i enlighet med rekommendationerna i tabellen "KABEL- OCH SÄKRINGSREKOMMENDATIONER".

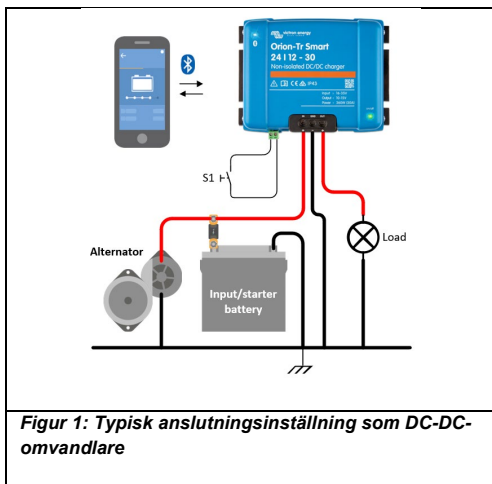
## 4. Installation

### 4.1 Allmänt

- Monteras vertikalt på en icke brandfarlig yta, med kraftuttagen vända nedåt. Observera ett minimumavstånd på 10 cm under och över enheten för optimal kylning.
- Monteras nära batteriet, men aldrig direkt ovanför batteriet (för att förhindra skador på grund av batteriets gaser).

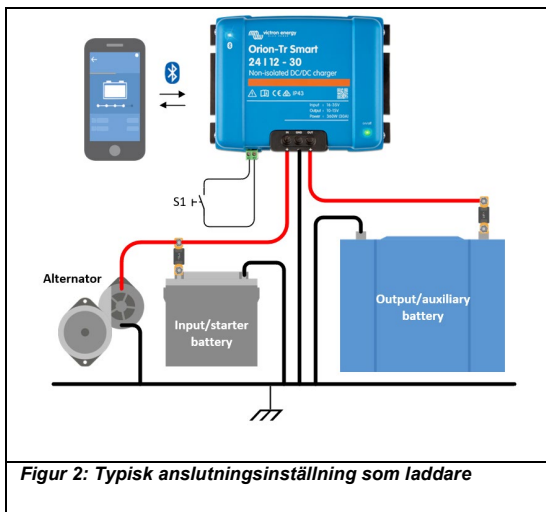
### 4.2 Anslutning för DC-DC-omvandlarläge

1. Koppla bort den fjärrstyrda På/Av (ta bort kabelbryggan).
2. Anslut ingångens försörjningskablar
3. Öppna VictronConnect-appen för att konfigurera enheten.  
**(justera alltid utgångsspänningen innan du parallellansluter eller ansluter ett batteri)**
4. Anslut belastningen. Omvandlaren är nu klar för användning.
5. Återanslut den fjärrstyrda På/Av för att aktivera enheten.



### 4.3 Anslutningsinställning för laddningsläge

1. Koppla bort kontaktdonet för fjärrstyrd av/på (ta bort kabelbryggan).
2. Anslut ingångens försörjningskablar
3. Öppna VictronConnect-appen för att konfigurera enheten.  
**(ställ alltid in rätt laddningsalgoritm innan du ansluter ett batteri)**
4. Anslut batteriet som ska laddas.
5. Återanslut kontaktdonet för fjärrstyrd av/på för att aktivera enheten.



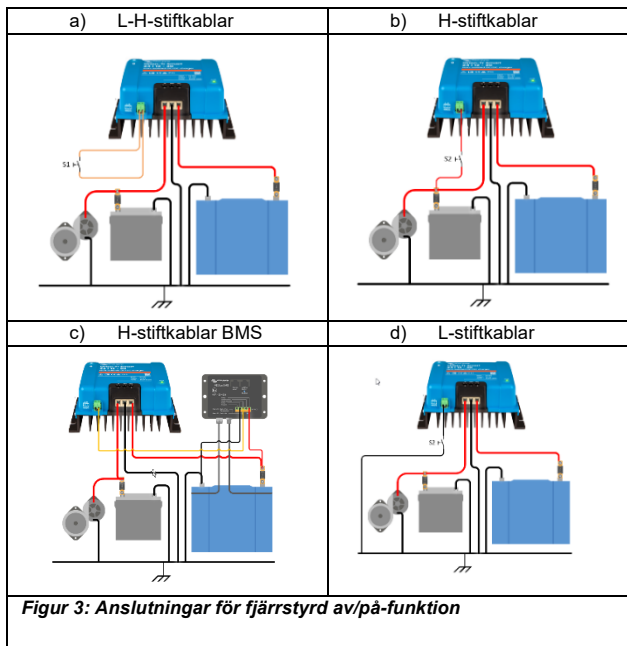


#### 4.4 Anslutning fjärrstyrd På/Av

Rekommenderad användning av den fjärrstyrda av/på-funktionen är:

- a) En brytare kopplad mellan L-H-stiften (På-nivå impedans mellan L-H-stiften:  $< 500 \text{ k}\Omega$ )
- b) En brytare kopplad mellan (ingång/start) batteriets plus och H-stift (På-nivå:  $> 3 \text{ V}$ )
- c) Anslutning mellan VE-BMS.-laddningsfrånkoppling och H-stift
- d) En brytare mellan L-stiftet och (ingång/start) jord (PÅ-nivå:  $> 5 \text{ V}$ )

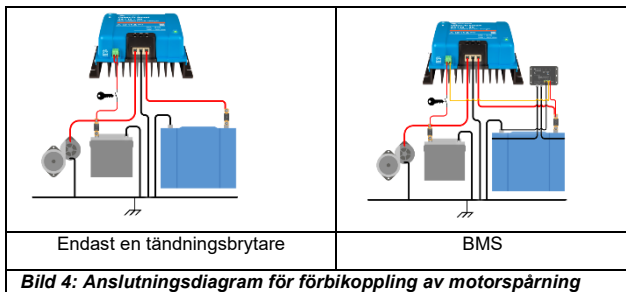
Obs: Spänningstolerans L & H-stift:  $\pm 70 \text{ V}_{\text{DC}}$



#### 4.5 Förbikoppling av motorspårning

Att applicera  $>7\text{ V}$  på L-stiftet på den fjärrstyrda På/Av-kretsen aktiverar funktionen "förbikoppling av motorspårning". Laddaren är på så länge som "förbikoppling av motorspårning" är aktiv. Med denna funktion kan en extern styrning (t.ex. tändningsomkopplare, CAN-bussmotor på detektor) avgöra om laddning är tillåten.

Den fjärrstyrda På/Av-funktionen måste också aktiveras så alternativ a) eller b) i Figur 3 måste också anslutas. Se exempel i Figur 4 nedan.



## 4.6 Rekommendationer för kabel och säkring

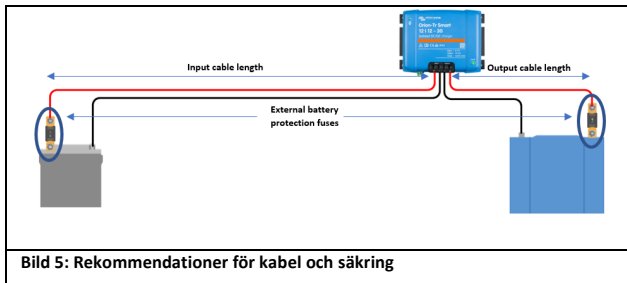


Bild 5: Rekommendationer för kabel och säkring

		Minsta kabelmätare				
Spänningsgrad (ingång eller utgång)	Extern säkring för batteriskydd	0,5 m	1 m	2 m	5 m	10 m
12 V	60 A	6 mm <sup>2</sup>	10 mm <sup>2</sup>	10 mm <sup>2</sup>	16 mm <sup>2</sup>	16 mm <sup>2</sup>
24 V	30 A	4 mm <sup>2</sup>	6 mm <sup>2</sup>	6 mm <sup>2</sup>	10 mm <sup>2</sup>	10 mm <sup>2</sup>

EN

NL

FR

DE

SV

CZ

#### 4.7 Rekommenderat vridmoment



## 5. Smart generatorkompatibilitet

Motorn igång-spårning baseras på startbatteriets spänning. Laddaren kan inte alltid mäta startbatteriets exakta spänning på grund av spänningsfall över ingångskabeln. Spänningsfallet bestäms av variabler som ström, kabellängd och kabelmätare. "Motorn på spårningssekvens" (se Figur 7) kommer att utföra periodiska tester för att bestämma startbatteriets exakta spänning under laddning. Testresultatet avgör om motorn är igång och laddning kan aktiveras.

Den här funktionen är endast aktiv i laddningsläge och när "förbikoppling av motorspårning" inte är aktiverad. I konverteringsläge avgör "låsning ingångsspänning" när utgången är aktiv.

Konfigurerbar med VictronConnect.

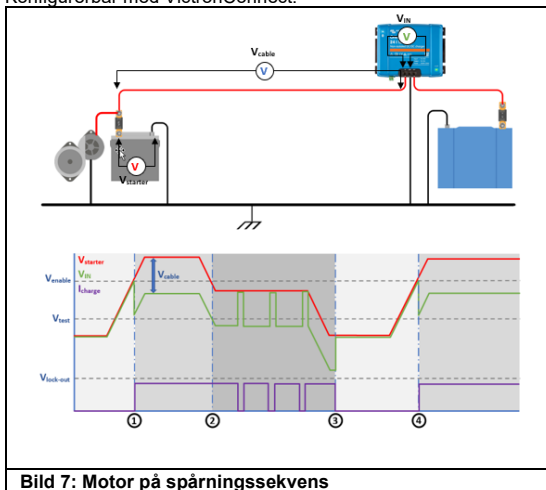


Bild 7: Motor på spårningssekvens

**0 → 1:**

När motorn körs kommer generatorspänningen att växla upp, när  $V_{\text{starter}}$  stiger över  $V_{\text{aktivera}}$  startar laddningen.

**1 → 2:**

På grund av laddningsströmmen kommer ett spänningsfall att uppstå över ingångskabeln ( $V_{\text{kabel}}$ ), denna spänning minskar spänningen vid ingången till laddaren ( $V_{\text{IN}}$ ). Medan  $V_{\text{IN}}$  förblir över  $V_{\text{test}}$ , är laddning aktiverad.

**2 → 3:**

Om  $V_{\text{IN}}$  sjunker under  $V_{\text{test}}$ , startar "motorn på spårningssekvens". Varannan minut pausar laddaren i 10 sekunder för att mäta spänningen. Utan strömflöde är  $V_{\text{IN}}$  lika med  $V_{\text{start}}$ . Om  $V_{\text{IN}}$  är över  $V_{\text{test}}$ , kommer laddningen att återupptas. Medan den förblir i detta tillstånd utförs testet varannan minut.

**3 → 4:**

Under spårningssekvensen sjönk  $V_{\text{IN}}$  under  $V_{\text{test}}$ . Detta betyder att motorn slutade gå och laddningen måste stoppas, laddningssekvensen pausas.

**4 → 5:**

$V_{\text{IN}}$  ökar över  $V_{\text{aktivera}}$ , laddningssekvenserna fortsätter.

## 6. LED-status

LED-lamporna ändrar status för att varna om vad Orion Smart-enheten gör i den stunden. Det finns två LED-lampor, blå LED är avsedd för Bluetooth-funktioner och grön LED visar produktens tillstånd.

### LED-status (grön LED)

- **LED av:**
  - Ingen ingångsspänning.
  - Fjärrstängning
  - Användaren stänger av.
  - Anslutning för övertemperaturskydd
  - Användardefinierad under spänningslåsning
  - Avstängd motor spårad (i laddningsläge)
- **LED på:**
  - Utgång aktiv i DC/DC omvandlarläge.
  - Laddare i flytande tillstånd (batteri laddat).
- **LED blinkar vid 1,25 Hz:**
  - Laddare i bulk- eller absorptionsläge (batteriet laddas).

### BLE LED (blå LED)

- **LED av:**
  - Ingen ingångsspänning.
- **LED blinkar vid 0,33 Hz:**
  - Fel - måste kontrolleras hos VictronConnect.
- **LED blinkar vid 1,25 Hz:**
  - Ansluten via Bluetooth;
- **LED blinkar vid 2,5 Hz:**
  - Identifiera.
- **LED blinkar en gång var 5:e sekund:**
  - Laddaren är avstängd p.g.a. icke-felaktiga tillstånd såsom:
    - Fjärrstängning;
    - Användaren stänger av.
    - Användardefinierad underspänningslåsning;
    - Avstängd motor spårad (i laddningsläge);
- **LED på:**
  - Alla andra villkor.

## 7. Specifikationer

Orion-Tr Smart -laddare Icke-isolerad 360- 400 watt	12/12-30 (360 W)	12/24-15 (360 W)
Ingångsspänningsområde (1)	10-17 V	10-17 V
Avstängning underspänning	7 V	7 V
Omstart underspänning	7,5 V	7,5 V
Nominell utgångsspänning	12,2 V	24,2 V
Justeringsintervall för utgångsspänning	10-15 V	20-30 V
Tolerans utgångsspänning	+/- 20 mV	
Utgångsbrus	2 mV rms	
Kontinuerlig utgångsström vid nominell utgångsspänning och 40° C	30 A	15 A
Maximal utgångsström (10 sekunder) vid nominell utgångsspänning	40 A	25 A
Utgångsström vid kortslutning	60 A	40 A
Kont. utgångsström vid 25 °C	430 W	430 W
Kont. utgångsström vid 40 °C	360 W	360 W
Verkningsgrad	87 %	88 %
Ingen belastningsingång belastningsström	<80 mA	<100 mA
Ström i viloläge	<1 mA	<1 mA
Galvanisk isolering	200 V DC mellan ingång, utgång och hölje	
Drifttemperaturintervall	-20 till +55 °C (minskad effekt 3 % per °C över 40 °C)	
Luftfuktighet	Max 95 % icke-kondenserande	
DC-anslutning	Skruvterminaler	
Maximalt kabeltvärsnitt	16 mm <sup>2</sup> / AWG6	
Vikt	12 V ingångsmodeller och/eller 12 V utgångsmodeller: 1,8 kg (3 lb) Andra modeller: 1,6 kg	
Dimensioner h x b x d	12 V ingångsmodeller och/eller 12 V utgångsmodeller: 130 x 186 x 80 mm (5,1 x 7,3 x 3,2 tum) Andra modeller: 130 x 186 x 70 mm (5,1 x 7,3 x 2,8 tum)	
Standarder: Säkerhet Emission Immunitet Motorfordonsdirektiv	EN 60950 EN 61000-6-3, EN 55014-1 EN 61000-6-2, EN 61000-6-1, EN 55014-2 ECE R10-5	
1) Om den är inställd på nominell eller lägre än nominell, kommer utspänningen att förbli stabil inom det specificerade ingångsspänningsområdet (buck-boost-funktion). Om utgångsspänningen ställs in högre än nominellt med en viss procentsats ökar den minsta ingångsspänningen vid vilken utspänningen förblir stabil (minskar inte) med samma procentandel.		



## Specifikationer - fortsättning

Orion-Tr Smart -laddare Icke-isolerad 360- 400 watt	24/12-30 (360 W)	24/24-17 (400W)
Ingångsspänningsområde (1)	20-35 V	20-35 V
Avstängning underspänning	14 V	14V
Omstart underspänning	15 V	15 V
Nominell utgångsspänning	12,2 V	24,2 V
Justeringsintervall för utgångsspänning	10-15 V	20-30 V
Tolerans utgångsspänning	+/- 20 mV	
Utgångsbrus	2 mV rms	
Kontinuerlig utgångsström vid nominell utgångsspänning och 40° C	30 A	17 A
Maximal utgångsström (10 sekunder) vid nominell utgångsspänning	45 A	25 A
Utgångsström vid kortslutning	60 A	40 A
Kont. utgångsström vid 25°C	430 W	480 W
Kont. utgångsström vid 40 °C	360 W	400 W
Verkningsgrad	88 %	89 %
Ingen belastningsingång belastningsström	<100 mA	<80 mA
Ström i viloläge	<1 mA	<1 mA
Galvanisk isolering	200 V DC mellan ingång, utgång och hölje	
Drifttemperaturintervall	-20 till +55 °C (minskad effekt 3 % per °C över 40 °C)	
Luftfuktighet	Max 95 % icke-kondenserande	
DC-anslutning	Skruvterminaler	
Maximalt kabeltvärsnitt	16 mm <sup>2</sup> / AWG6	
Vikt	12 V ingångsmodeller och/eller 12 V utgångsmodeller: 1,8 kg (3 lb) Andra modeller: 1,6 kg	
Dimensioner h x b x d	12 V ingångsmodeller och/eller 12 V utgångsmodeller: 130 x 186 x 80 mm (5,1 x 7,3 x 3,2 tum) Andra modeller: 130 x 186 x 70 mm (5,1 x 7,3 x 2,8 tum)	
Standarder: Säkerhet Emission Immunitet Motorfordonsdirektiv	EN 60950 EN 61000-6-3, EN 55014-1 EN 61000-6-2, EN 61000-6-1, EN 55014-2 ECE R10-5	
1) Om den är inställd på nominell eller lägre än nominell, kommer utspänningen att förbli stabil inom det specificerade ingångsspänningsområdet (buck-boost-funktion). Om utgångsspänningen ställs in högre än nominellt med en viss procentsats ökar den minsta ingångsspänningen vid vilken utspänningen förblir stabil (minskar inte) med samma procentandel.		

EN

NL

FR

DE

SV

CZ



# 1. Obecný popis

Nabíječky Orion Smart DC-DC jsou speciálně vyvinuté měniče DC-DC pro řízené nabíjení nebo režim pevného výstupu. Správným nabíjením baterie v režimu nabíječky zvýší algoritmus třífázového nabíjení životnost baterie. Zejména u vozidel s inteligentním ovládním alternátoru nebo s poklesem napětí způsobeným dlouhými kabely je nezbytné řízené nabíjení. Řízené nabíjení bude také chránit alternátor v lithiových systémech, kde přímé nabíjení může alternátor přetížít kvůli nízké impedanci lithiové baterie. V režimu pevného výstupu zůstane výstupní napětí stabilní nezávisle na působící zátěži nebo měnícím se vstupním napětím (ve specifikovaném rozsahu).

Aby bylo zajištěno, že nabitá startovací baterie vozidla je vždy prioritou, bude nabíječka Orion Smart DC-DC dodávat energii pouze, když běží motor. To je možné díky vestavěné detekci vypnutí motoru. To také zabraňuje příliš nízkému napětí ve vozidle. Není nutné zasahovat do systému vozidla, instalovat samostatný snímač chodu motoru nebo zasahovat do systému sběrnice CAN. Kromě této detekce lze nabíječku Orion Smart DC-DC aktivovat také pomocí funkce nuceného nabíjení, např. připojením ke spínači zapalování.

Nabíječka Orion Smart DC-DC je plně programovatelná pomocí aplikace VictronConnect.

Zde naleznete všechny možnosti nastavení:

<https://www.victronenergy.com/live/victronconnect:start>

## 2. Funkce

### **Kompatibilita s inteligentními alternátory**

Výrobci vozidel nyní zavádějí inteligentní alternátory řízené řídicí jednotkou motoru (ECU (Engine Control Unit)), které zvyšují účinnost paliva a snižují emise. Inteligentní alternátory dodávají proměnné výstupní napětí a vypnou se, pokud nejsou potřeba. Měnič je vybaven jedinečným mechanismem detekce chodu motoru. Tím se zabrání tomu, aby měnič vybil startovací baterii, když alternátor nedodává energii. Další podrobnosti naleznete v kapitole 5. „Kompatibilita s inteligentními alternátory“.

Konfigurovatelná pomocí VictronConnect.

### **Oddělení startovací a servisní baterie**

Nabíječka Orion Smart DC-DC neizolovaná odděluje startovací baterii od servisní baterie, když motor neběží.

### **Rozsáhlá elektronická ochrana**

Ochrana proti přehřátí a snížení výkonu při vysoké teplotě.

Ochrana proti přetížení.

Ochrana proti zkratu.

Ochrana před přehřátím konektoru.

### **Adaptivní třífázové nabíjení**

Nabíječka Orion Smart DC-DC neizolovaná je konfigurována na třífázový proces nabíjení: Rychlé – Absorpční - Udržovací

#### Rychlé nabíjení

Během této fáze regulátor dodává největší možné množství nabíjecího proudu, aby došlo k rychlému dobití baterií.

#### Absorpce

Když napětí baterie dosáhne nastaveného absorpčního napětí, regulátor se přepne do režimu konstantního napětí. U olověných baterií je důležité, když je baterie vybita jen slabě, aby byla doba absorpce krátká, aby nedošlo k přebití baterie. Po silném vybití je doba absorpce automaticky zvýšena, aby bylo zajištěno úplné dobití baterie. Pro lithiové baterie je doba absorpce pevně stanovena, obvykle 2 hodiny. Lze nastavit pevný nebo adaptivní režim baterie.

## Udržování

Během této fáze je na baterii nastaveno udržovací napětí tak, aby baterie byla udržována ve stavu plného nabití. Když napětí baterie podstatně klesne pod tuto úroveň, například kvůli velké zátěži, alespoň na 1 minutu se spustí nový nabíjecí cyklus.

## **Flexibilní algoritmus nabíjení**

Programovatelný algoritmus nabíjení a osm předprogramovaných algoritmů.

Konfigurovatelný pomocí VictronConnect.

## **Adaptivní doba absorpce**

Automaticky vypočítá správnou dobu absorpce.

Konfigurovatelná pomocí VictronConnect.

## **Konfigurace a monitorování**

Vestavěné rozhraní Bluetooth Smart: bezdrátové řešení pro nastavení, monitorování a aktualizaci regulátoru pomocí chytrých telefonů Apple a Android, tabletů nebo jiných zařízení.

S aplikací VictronConnect lze upravit několik parametrů.

Aplikaci VictronConnect si můžete stáhnout zde:

<http://www.victronenergy.nl/support-and-downloads/software/>

Použijte návod - VictronConnect - pro co nejlepší využití aplikace VictronConnect, když je připojena k Orion Smart:

<https://www.victronenergy.com/live/victronconnect:start>

## **Blokování vstupního napětí**

Vypnutí, pokud vstupní napětí klesne pod blokovací hodnotu, a restartování, když se vstupní napětí zvýší nad restartovací hodnotu.

Konfigurovatelná pomocí VictronConnect.

## **Vzdálené zapnutí / vypnutí**

Pomocí funkce dálkového ovládání povolte a deaktivujte zařízení vzdáleně pomocí konektoru dálkového zapnutí/vypnutí nebo pomocí aplikace VictronConnect. Typické případy použití zahrnují pevně zapojený spínač s automatickým ovládním a automatické ovládní například systémem správy baterií.

### 3. Bezpečnostní pokyny

**UCHOVEJTE TENTO NÁVOD - Tento návod obsahuje důležité pokyny, které je třeba dodržovat během instalace a údržby.**



**WARNING**

**Nebezpečí výbuchu v důsledku jiskření**

- Před instalací a uvedením výrobku do provozu si prosím pečlivě přečtěte tento návod.
- Výrobek umístěte do žáruvzdorného prostředí. A ujistěte se, že v bezprostřední blízkosti výrobku nejsou chemikálie, umělohmotné části, záclony nebo jiné textilie.
- Je normální, že se nabíječka Orion Smart DC-DC během provozu zahřeje, udržujte proto všechny předměty, které jsou citlivé na teplo mimo dosah nabíječky.
- Ujistěte se, že se zařízení používá za správných provozních podmínek. Nikdy nabíječku nepoužívejte ve vlhkém prostředí.
- Výrobek nikdy nepoužívejte v místech, kde je riziko výbuchu plynu nebo prachu.
- Vždy zajistěte správnou ventilaci během nabíjení.
- Nezakrývejte nabíječku během nabíjení.
- Dle informací výrobce baterie si ověřte, že je výrobek určen pro použití s danou baterií. Postupujte vždy v souladu s bezpečnostními pokyny výrobce baterií.
- Kromě tohoto návodu musí provozní a servisní příručka systému obsahovat návod na údržbu baterií použitelnou pro použitý typ baterií.
- Nabíječku nikdy nepokládejte na nabíjenou baterii.
- Zabraňte jiskření v blízkosti baterie. Nabíjená baterie může vyvíjet výbušné plyny.
- Toto zařízení nesmí používat osoby (včetně dětí) se sníženými fyzickými, smyslovými nebo mentálními schopnostmi nebo nedostatkem zkušeností a znalostí, pokud nejsou pod dohled nebo nebyli poučeni.

EN

NL

FR

DE

SV

CZ

- Pro připojení použijte flexibilní vícežilový měděný kabel. Maximální průměr jednotlivých vláken je 0,4 mm/0,125 mm<sup>2</sup> (0,016 palce/AWG26).
- Instalace musí zahrnovat pojistku v souladu s doporučeními v tabulce „DOPORUČENÍ KABELŮ A POJISTEK“.



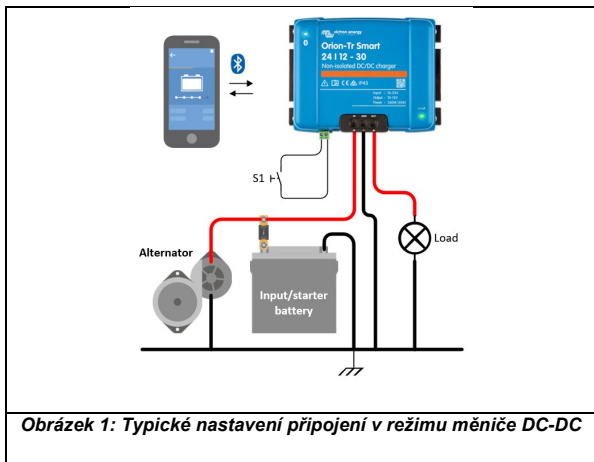
## 4. Instalace

### 4.1 Všeobecně

- Namontujte svisle na nehořlavý povrch tak, aby napájecí svorky směřovaly dolů. Pro optimální chlazení dodržujte minimální vzdálenost 10 cm pod a nad výrobkem.
- Montujte v blízkosti baterie, ale nikdy přímo nad baterií (aby nedošlo k poškození v důsledku plynování baterie).

### 4.2 Nastavení připojení pro režim měniče DC-DC

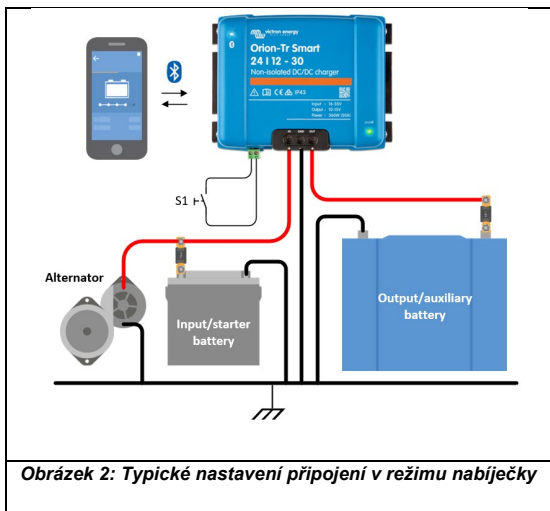
1. Odpojte vzdálené zapnutí/vypnutí (odpojte kabelový most).
2. Připojte vstupní přívodní kabely.
3. Chcete-li provést nastavení, otevřete aplikaci VictronConnect. **(vždy upravte výstupní napětí před paralelním připojením nebo připojením baterie)**
4. Připojte zátěž. Měnič je nyní připraven k použití.
5. Chcete-li produkt aktivovat, znovu připojte vzdálení zapnutí/vypnutí.



**Obrázek 1: Typické nastavení připojení v režimu měniče DC-DC**

### 4.3 Nastavení připojení pro režim nabíječky

1. Odpojte vzdálené zapnutí/vypnutí (odpojte kabelový most).
2. Připojte vstupní přívodní kabely.
3. Chcete-li provést nastavení, otevřete aplikaci VictronConnect.  
**(před připojením baterie vždy nastavte správný algoritmus nabíjení)**
4. Připojte baterii, kterou chcete nabít.
5. Chcete-li produkt aktivovat, znovu připojte vzdálení zapnutí/vypnutí..

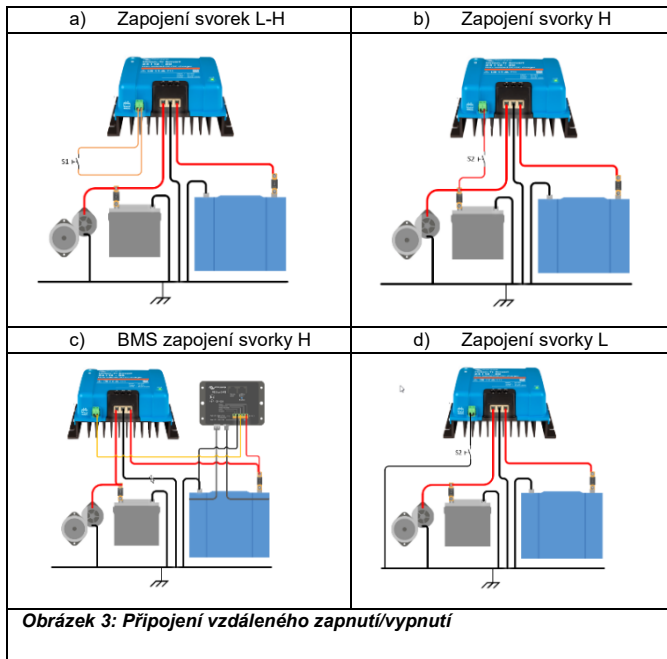


#### 4.4 Připojení vzdáleného zapnutí/vypnutí

**Doporučené použití vzdáleného zapnutí/vypnutí je:**

- Přepínač zapojený mezi svorky L-H (impedance mezi svorkami L-H na úrovni :  $<500 \text{ k}\Omega$ )
- Přepínač zapojený mezi plus (vstupní/startovací) baterie a svorku H (na úrovni:  $>3 \text{ V}$ )
- Propojení výstupu „odpojení nabíjení VE.BMS“ a svorky H
- Přepínač mezi svorkou L a (vstup/startér) zemí (na úrovni:  $<3 \text{ V}$ )

*Poznámka:* Tolerance napětí pro kolíky L a H:  $\pm 70 \text{ V}_{\text{DC}}$

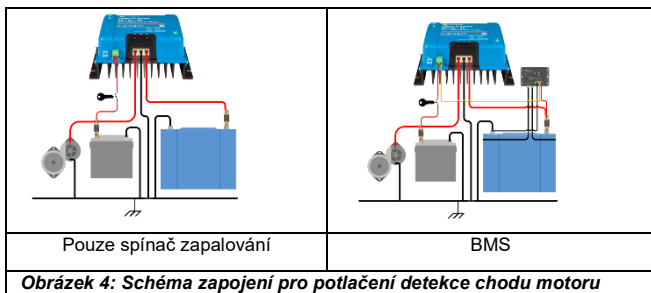


**Obrázek 3: Připojení vzdáleného zapnutí/vypnutí**

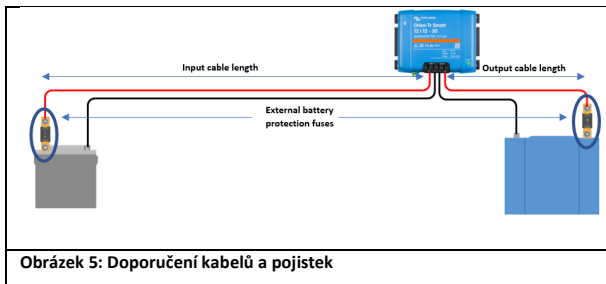
#### 4.5 Potlačení detekce chodu motoru

Přivedení > 7 V na svorku L obvodu vzdáleného zapnutí/vypnutí aktivuje funkci „potlačení detekce chodu motoru“. Nabíječka je zapnutá, dokud je aktivní funkce „potlačení detekce chodu motoru“. Pomocí této funkce může externí řízení (např. spínač zapalování, motor sběrnice CAN na detektoru) určit, zda je povoleno nabíjení.

Musí být také aktivována funkce vzdáleného zapnutí/vypnutí, takže musí být také připojena možnost a) nebo b) na obrázku 3. Viz příklady na obrázku 4 níže.



## 4.6 Doporučení kabelů a pojistek



**Obrázek 5: Doporučení kabelů a pojistek**

Jmenovité napětí (vstup nebo výstup)	Ochrana externí baterie □ Pojistka	Minimální průřez kabelu				
		0,5 m	1m	2m	5m	10m
12 V	60 A	6 mm <sup>2</sup>	10mm <sup>2</sup>	10mm <sup>2</sup>	16mm <sup>2</sup>	16mm <sup>2</sup>
24V	30A	4mm <sup>2</sup>	6mm <sup>2</sup>	6mm <sup>2</sup>	10mm <sup>2</sup>	10mm <sup>2</sup>

#### 4.7 Doporučený točivý moment

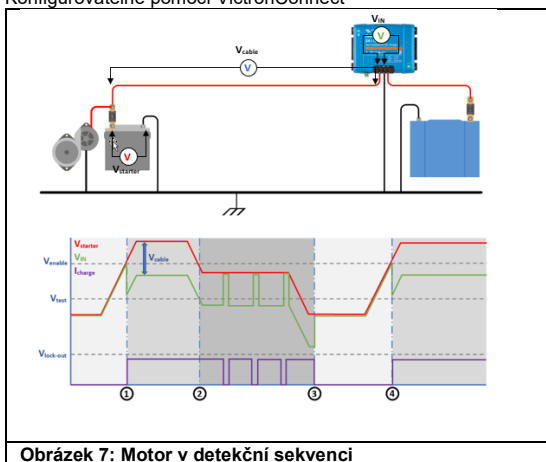


## 5. Kompatibilita s inteligentními alternátory

Detekce chodu motoru je založena na napětí startovací baterie. Nabíječka není vždy schopna změřit přesné napětí startovací baterie kvůli poklesu napětí na vstupním kabelu. Úbytek napětí je určen proměnnými jako proud, délka a průřez kabelu. „Motor v detekční sekvenci“ (viz obrázek 7) bude provádět pravidelné testy, aby se určilo přesné napětí startovací baterie během nabíjení. Výsledek testu určuje, zda je motor v chodu a zda lze povolit nabíjení.

Tato funkce je aktivní pouze v režimu nabíječky a pokud není aktivována funkce „potlačení detekce chodu motoru“. V režimu měniče „blokování vstupního napětí“ určuje, kdy je výstup aktivní.

Konfigurovatelné pomocí VictronConnect



Obrázek 7: Motor v detekční sekvenci

**0 → 1:**

Když motor běží, napětí alternátoru se prudce zvýší, když se napětí  $V_{\text{starter}}$  zvýší nad napětí  $V_{\text{enable}}$ , začne nabíjení.

**1 → 2:**

V důsledku nabíjecího proudu dojde k poklesu napětí na vstupním kabelu ( $V_{\text{cable}}$ ), toto napětí snižuje napětí na vstupu nabíječky ( $V_{\text{IN}}$ ). Zatímco  $V_{\text{IN}}$  zůstane vyšší než  $V_{\text{test}}$ , nabíjení bude povoleno.

**2 → 3:**

Pokud se  $V_{\text{IN}}$  sníží pod  $V_{\text{test}}$ , spustí se funkce „motor při detekční sekvenci“. Každé 2 minuty nabíječka na 10 sekund vypne, aby se změnilo napětí. Bez aktuálního toku  $V_{\text{IN}}$  se rovná  $V_{\text{starter}}$ , pokud je  $V_{\text{IN}}$  vyšší než  $V_{\text{test}}$ , nabíjení bude pokračovat. Zatímco zůstane v tomto stavu, test se provádí každé 2 minuty.

**3 → 4:**

Během detekční sekvence  $V_{\text{IN}}$  kleslo pod  $V_{\text{test}}$ , to znamená, že se motor zastavil a nabíjení se musí také zastavit, nabíjecí sekvence se pozastaví.

**4 → 5:**

$V_{\text{IN}}$  se zvyšuje nad  $V_{\text{enable}}$ , nabíjecí sekvence pokračuje.



## 6. LED kontrolky

LED kontrolky se mění v závislosti na činnosti nabíječky Orion Smart. Modrá kontrolka je věnována funkcím Bluetooth a zelená stavu produktu.

Stavová kontrolka (zelená)

- **Kontrolka nesvítí.**
  - Žádné vstupní napětí;
  - Dálkové vypnutí;
  - Vypnutí uživatelem;
  - Ochrana před přehřátím konektoru
  - Uživatelem definované napětí pro blokování
  - Byl detekován vypnutý motor (v režimu nabíječky)
- Kontrolka svítí:
  - Výstup aktivní v režimu měniče DC/DC;
  - Nabíječka ve fázi udržování (nabitá baterie);
- **Kontrolka bliká při 1,25 Hz:**
  - Nabíječka ve fázi rychlého nabíjení nebo absorpce (probíhá nabíjení baterie);

MODRÁ KONTROLKA

- **Kontrolka nesvítí:**
  - Žádné vstupní napětí;
- Kontrolka bliká při 0,33 Hz:
  - Chyba - je třeba zkontrolovat v aplikaci VictronConnect;
- **Kontrolka bliká při 1,25 Hz:**
  - Připojeno přes Bluetooth;
- Kontrolka bliká při 2,5 Hz:
  - Identifikovat;
- **Kontrolka blikne jednou za 5 sekund:**
  - Příčinou vypnutí nabíječky není chyba, ale:
    - Dálkové vypnutí;
    - Vypnutí uživatelem;
    - Uživatelem nastavené blokovací napětí;
    - Zjištění vypnutého motoru (v režimu nabíječky);
- Kontrolka svítí:
  - Všechny ostatní stavy;

## 7. Specifikace

Nabíječka Orion-Tr Smart neizolovaná 360 - 400 W	12/12-30 (360 W)	12/24-15 (360 W)
Rozsah vstupního napětí (1)	10-17 V	10-17 V
Vypnutí při podpětí	7V	7V
Restart při podpětí	7,5V	7,5V
Jmenovité výstupní napětí	12,2V	24,2V
Rozsah nastavení výstupního napětí	10-15 V	20-30 V
Tolerance výstupního napětí	+/- 20 mV	
Výstupní šum	2 mV rms	
Pokrač. výstupní proud při jmenovitém výstupním napětí a 40 °C	30A	15A
Maximální výstupní proud (10 s) při jmenovitém výstupním napětí	40A	25A
Výstupní zkratový proud	60A	40A
Pokrač. výstupní výkon při 25°C	430 W	430 W
Pokrač. výstupní výkon při 40 °C	360W	360W
Účinnost	87%	88%
Žádný zatěžovací proud	< 80 mA	< 100 mA
Pohotovostní proud	< 1mA	< 1mA
Galvanická izolace	200 V DC mezi vstupem, výstupem a krytem	
Rozsah provozních teplot	-20 až do +55 °C (snižuje se o 3 % na každý °C nad 40 °C)	
Vlhkost	Max. 95 % nekondenzující	
DC připojení	Šroubové svorky	
Maximální průřez kabelu	16 mm <sup>2</sup> AWG6	
Hmotnost	Modely 12 V vstupní a/nebo 12 V výstupní: 1,8 kg (3 lb) Další modely:: 1,6 kg (3,5 lb)	
Rozměry v x š x h	Modely 12 V vstupní a/nebo 12 V výstupní: 130 x 186 x 80 mm (5,1 x 7,3 x 3,2 palce) Ostatní modely: 130 x 186 x 70 mm (5,1 x 7,3 x 2,8 palce)	
Normy: Bezpečnost Emise Odolnost Automobilové směrnice	EN 60950 EN 61000-6-3, EN 55014-1 EN 61000-6-2, EN 61000-6-1, EN 55014-2 ECE R10-5	
1) Pokud je nastaveno na jmenovité nebo nižší než jmenovité, výstupní napětí zůstane stabilní v rámci specifikovaného rozsahu vstupního napětí (funkce buck-boost). Pokud je výstupní napětí nastaveno o určité procento vyšší než nominální, minimální vstupní napětí, při kterém výstupní napětí zůstává stabilní (neklesá), se zvyšuje o stejné procento.		

## Specifikace - pokračování

Nabíječka Orion-Tr Smart neizolovaná 360 - 400 W	24/12-30 (360 W)	24/24-17 (400W)
Rozsah vstupního napětí (1)	20-35 V	20-35 V
Vypnutí při podpětí	14V	14V
Restart při podpětí	15V	15V
Jmenovité výstupní napětí	12,2V	24,2V
Rozsah nastavení výstupního napětí	10-15 V	20-30 V
Tolerance výstupního napětí	+/- 20 mV	
Výstupní šum	2 mV rms	
Pokrač. výstupní proud při jmenovitém výstupním napětí a 40 °C	30A	17A
Maximální výstupní proud (10 s) při jmenovitém výstupním napětí	45A	25A
Výstupní zkratový proud	60A	40A
Pokrač. výstupní výkon při 25°C	430W	480W
Pokrač. výstupní výkon při 40 °C	360W	400W
Účinnost	88%	89%
Žádný zatěžovací proud	< 100mA	< 80 mA
Pohotovostní proud	< 1mA	< 1mA
Galvanická izolace	200 V DC mezi vstupem, výstupem a krytem	
Rozsah provozních teplot	-20 až do +55 °C (snižuje se o 3 % na každý °C nad 40 °C)	
Vlhkost	Max. 95 % nekondenzující	
DC připojení	Šroubové svorky	
Maximální průřez kabelu	16 mm <sup>2</sup> AWG6	
Hmotnost	Modely 12 V vstupní a/nebo 12 V výstupní: 1,8 kg (3 lb) Další modely:: 1,6 kg (3,5 lb)	
Rozměry v x š x h	Modely 12 V vstupní a/nebo 12 V výstupní: 130 x 186 x 80 mm (5,1 x 7,3 x 3,2 palce) Ostatní modely: 130 x 186 x 70 mm (5,1 x 7,3 x 2,8 palce)	
Normy: Bezpečnost Emise Odolnost Automobilové směrnice	EN 60950 EN 61000-6-3, EN 55014-1 EN 61000-6-2, EN 61000-6-1, EN 55014-2 ECE R10-5	

- 1) Pokud je nastaveno na jmenovité nebo nižší než jmenovité, výstupní napětí zůstane stabilní v rámci specifikovaného rozsahu vstupního napětí (funkce buck-boost).  
Pokud je výstupní napětí nastaveno o určité procento vyšší než nominální, minimální vstupní napětí, při kterém výstupní napětí zůstává stabilní (neklesá), se zvyšuje o stejné procento.

EN

NL

FR

DE

SV

CZ



# Victron Energy Blue Power

Distributor:

Serial number:

Version : 01

Date : February 17<sup>th</sup>, 2020

Victron Energy B.V.

De Paal 35 | 1351 JG Almere

PO Box 50016 | 1305 AA Almere | The Netherlands

General phone

: +31 (0)36 535 97 00

E-mail

: [sales@victronenergy.com](mailto:sales@victronenergy.com)

[www.victronenergy.com](http://www.victronenergy.com)