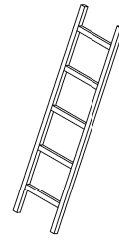
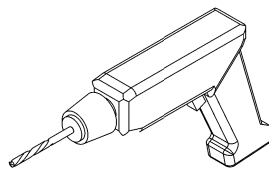
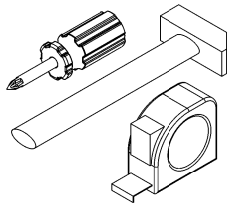
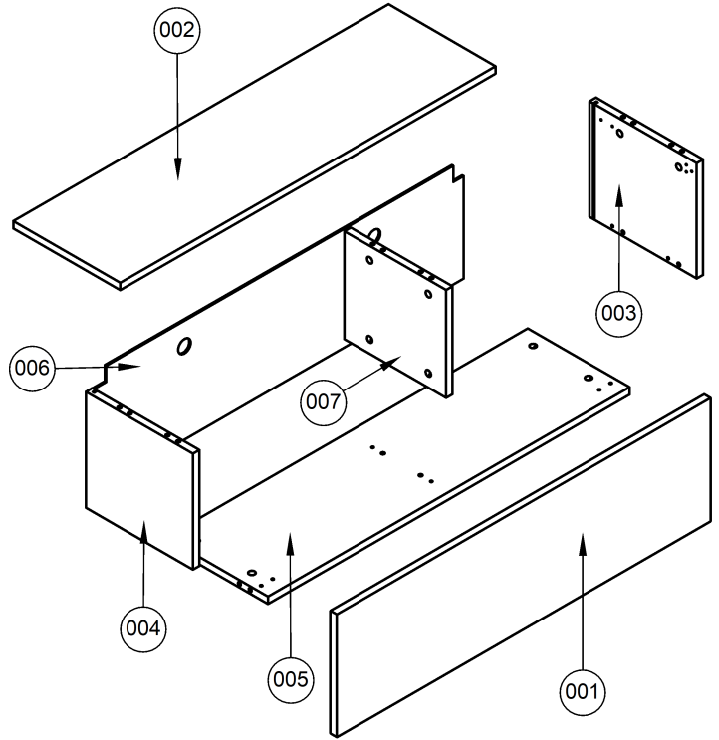
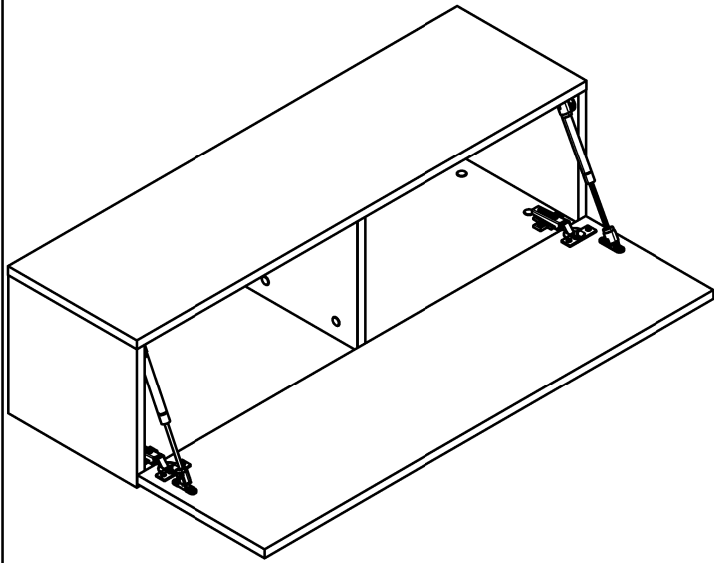


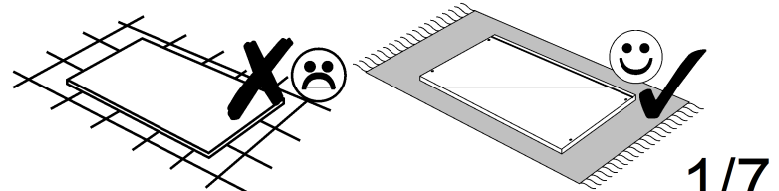
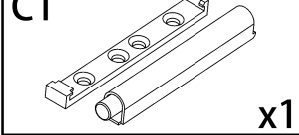
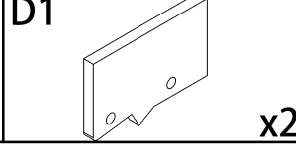
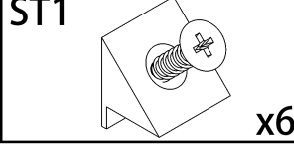
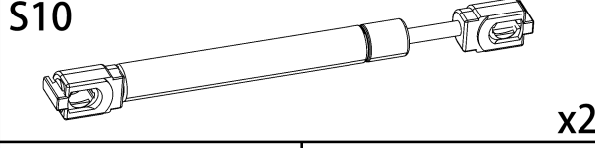
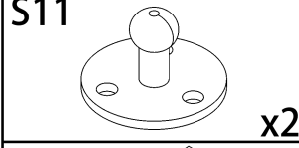
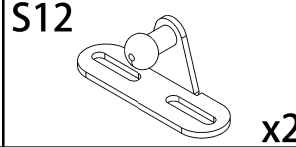
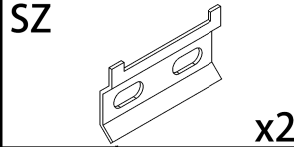
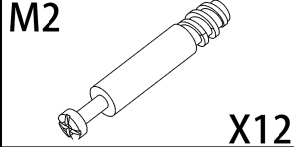
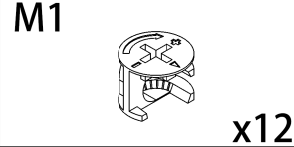
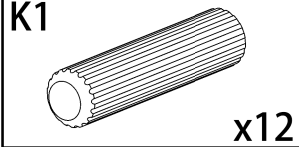
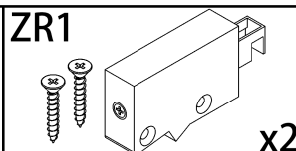
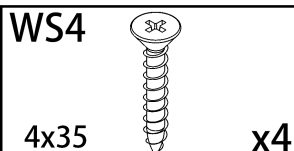
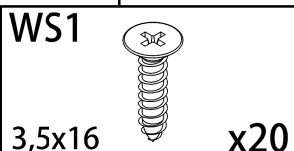
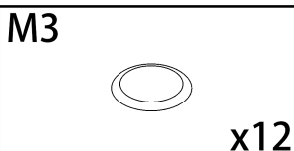
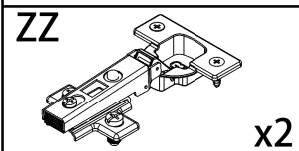
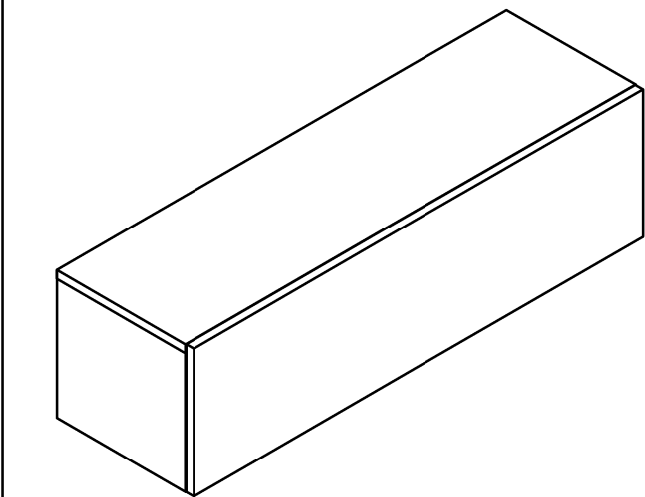
- 30 min.

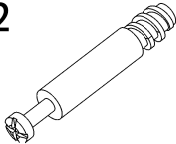
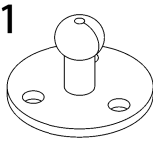
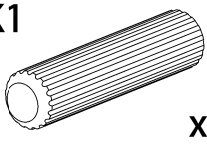
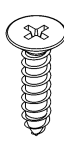



RTV105

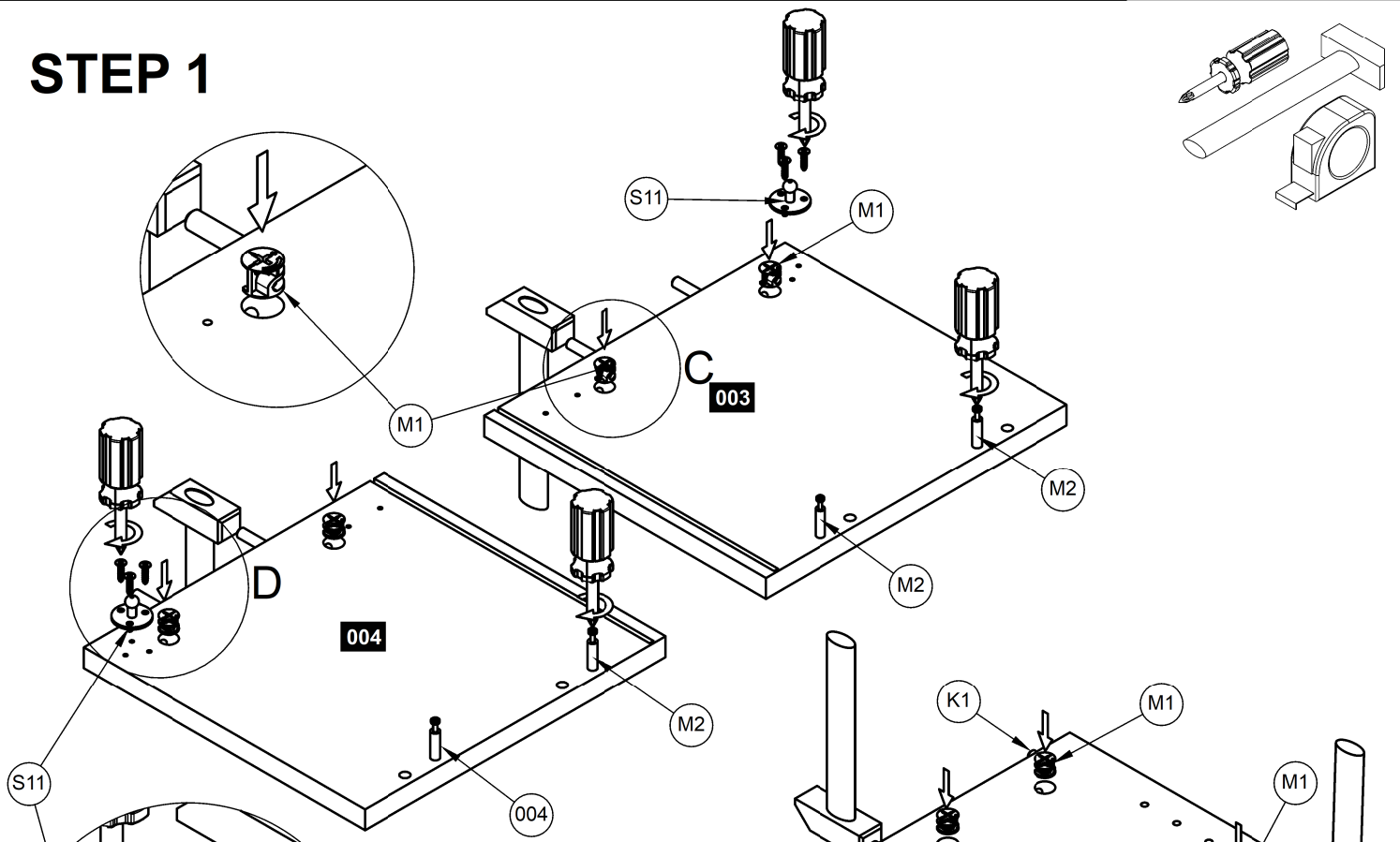


Number	Qty	Size A	Size B
002	1	1052	300,500
003	1	281	300
004	1	281	300
005	1	1015	286
006	1	289	1033
007	1	262,500	286
001	1	299	1049

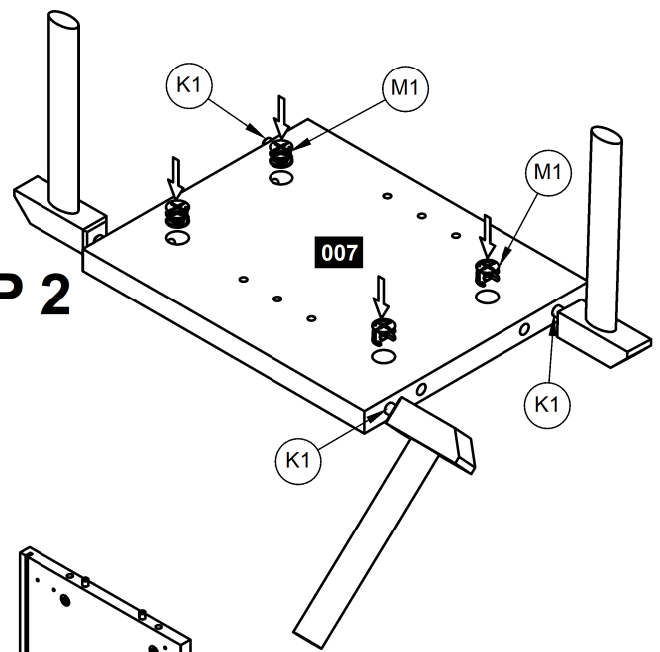


M2  X12	S11  x2	K1  x12	WS1  3,5x16	M1  x12
--	---	---	---	---

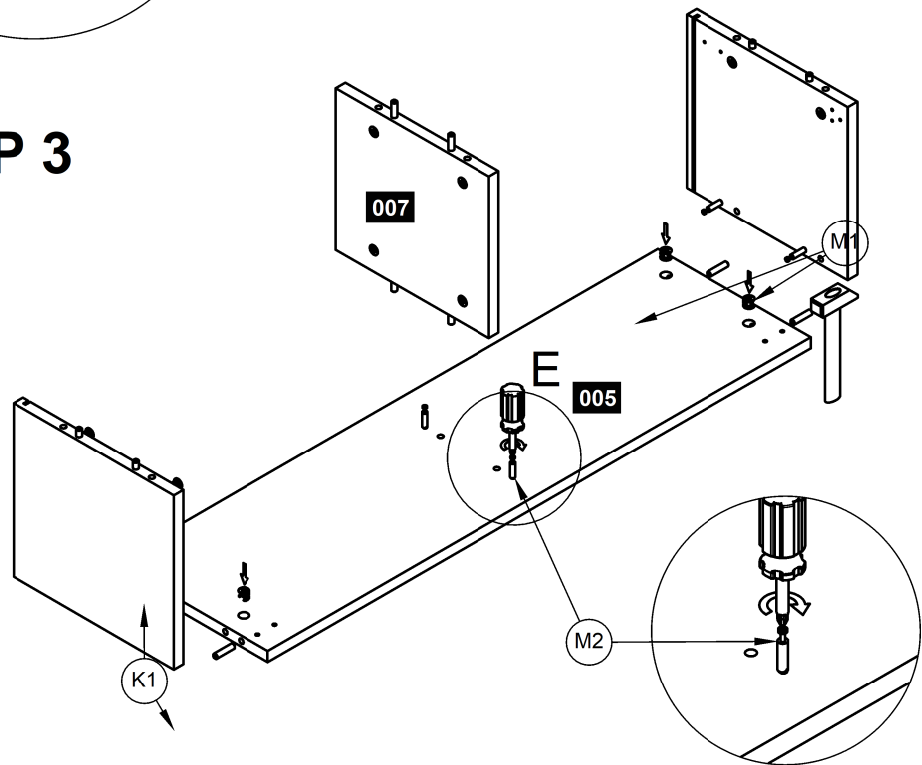
STEP 1

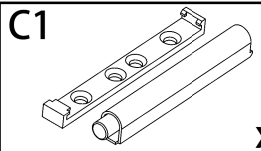


STEP 2

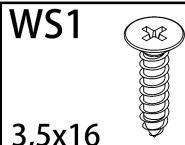


STEP 3



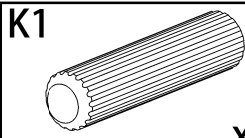


x1

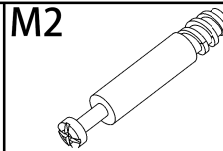


3,5x16

x16

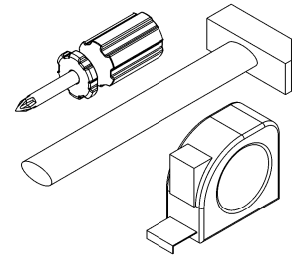
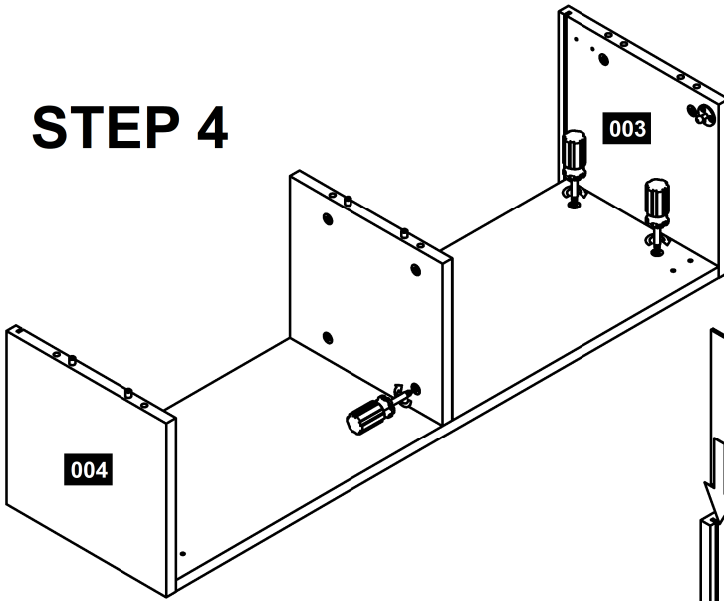


x12

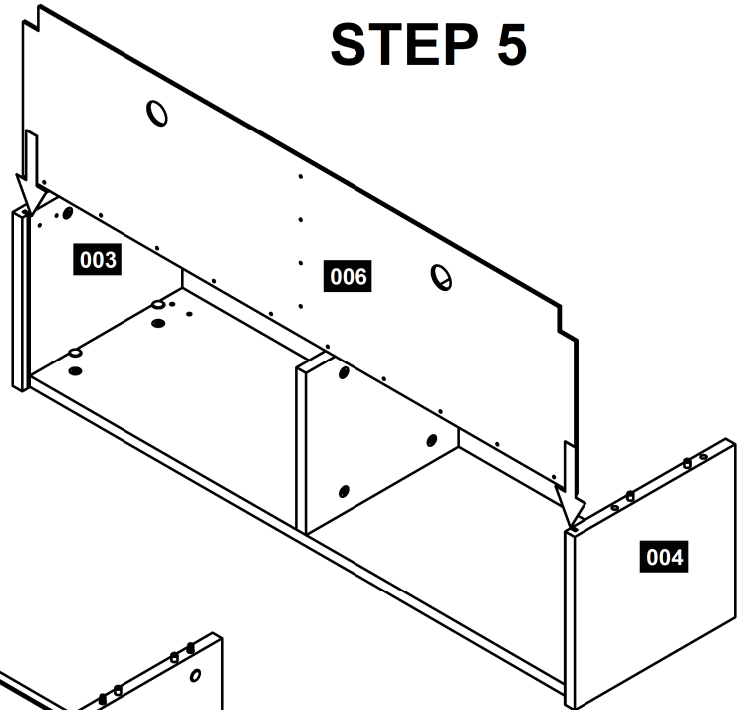


x12

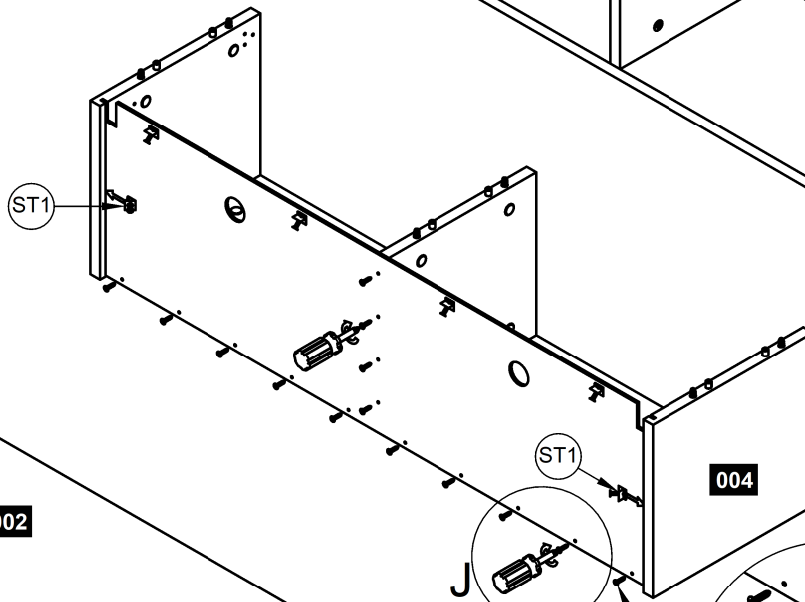
STEP 4



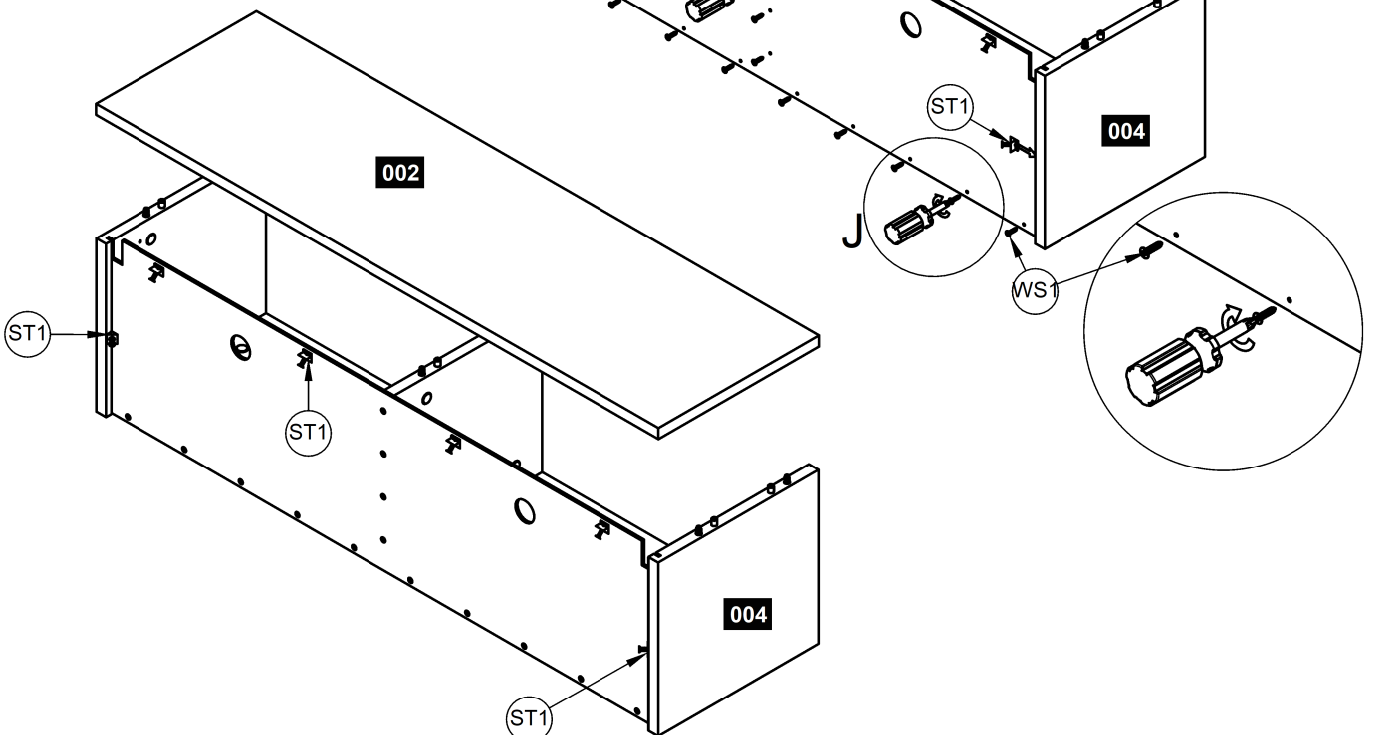
STEP 5

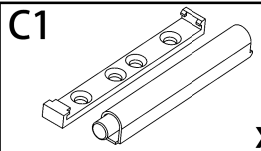


STEP 6



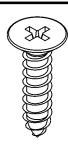
STEP 7





x1

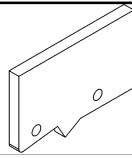
WS1



3,5x16

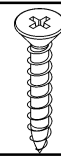
x16

D1



x2

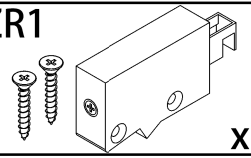
WS4



4x35

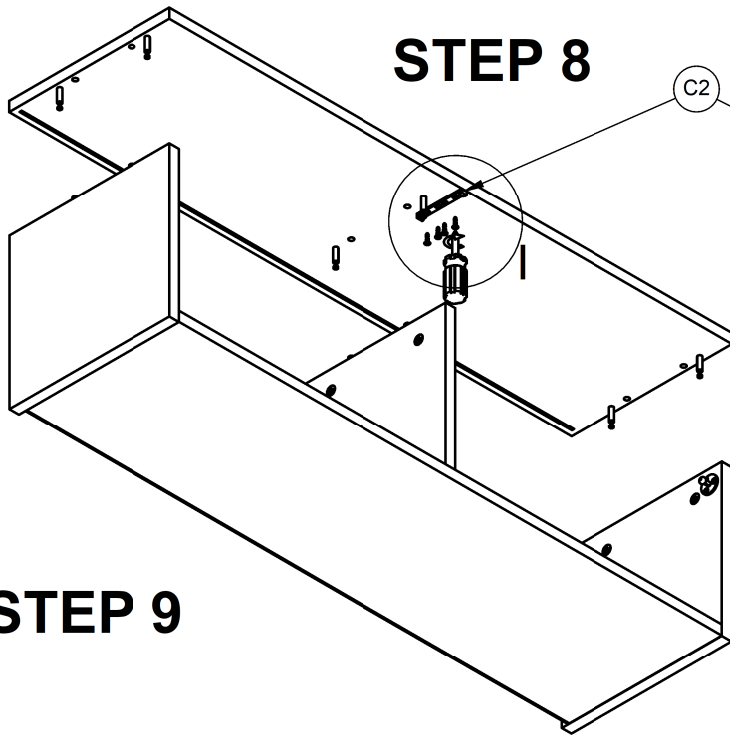
x4

ZR1



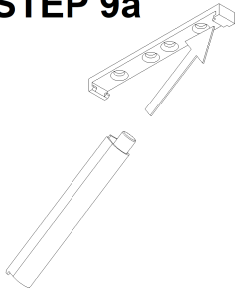
x2

STEP 8

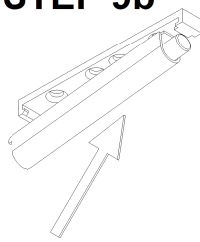


STEP 9

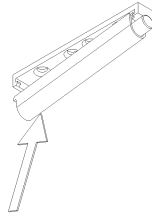
STEP 9a



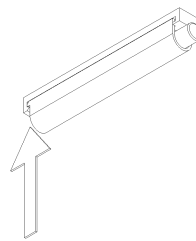
STEP 9b



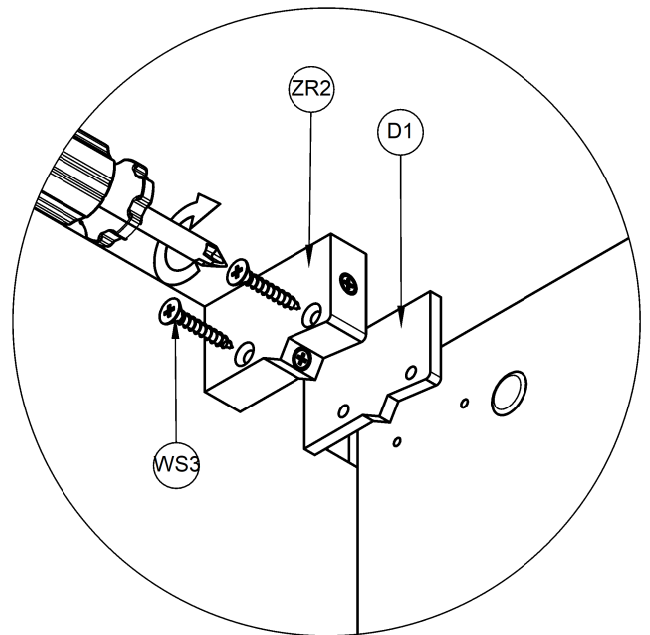
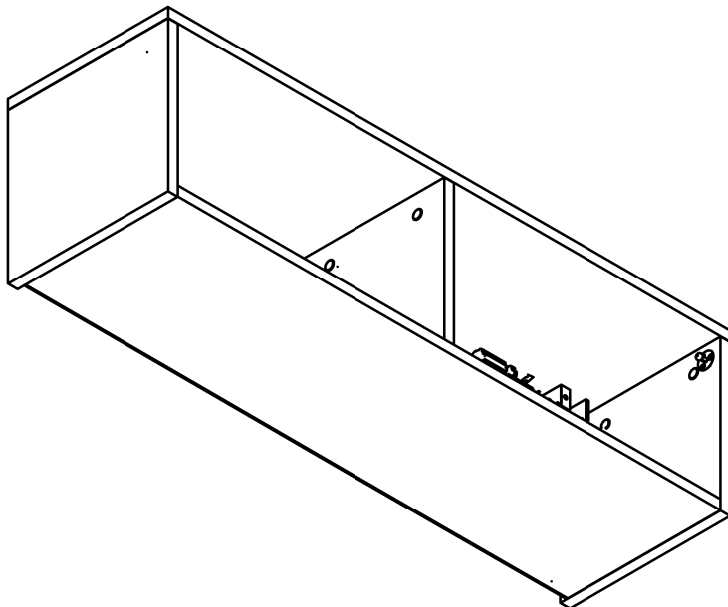
STEP 9c

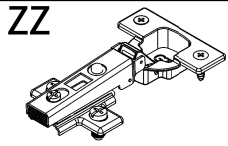


STEP 9d

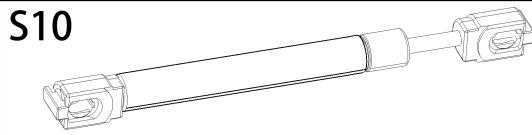


STEP 10

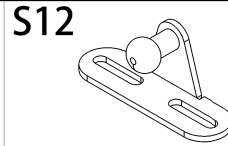




x2



x2

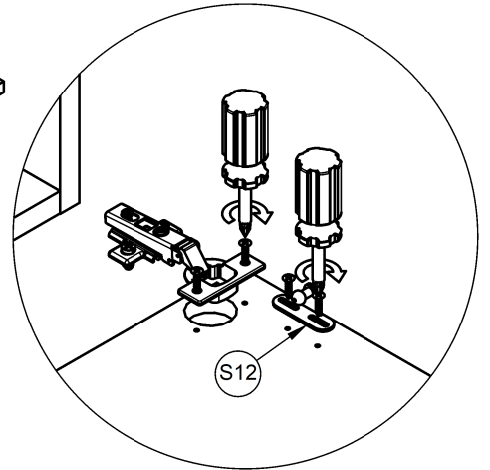
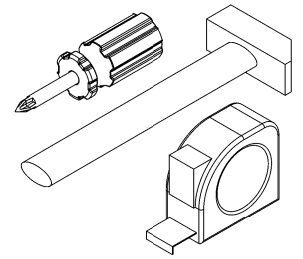
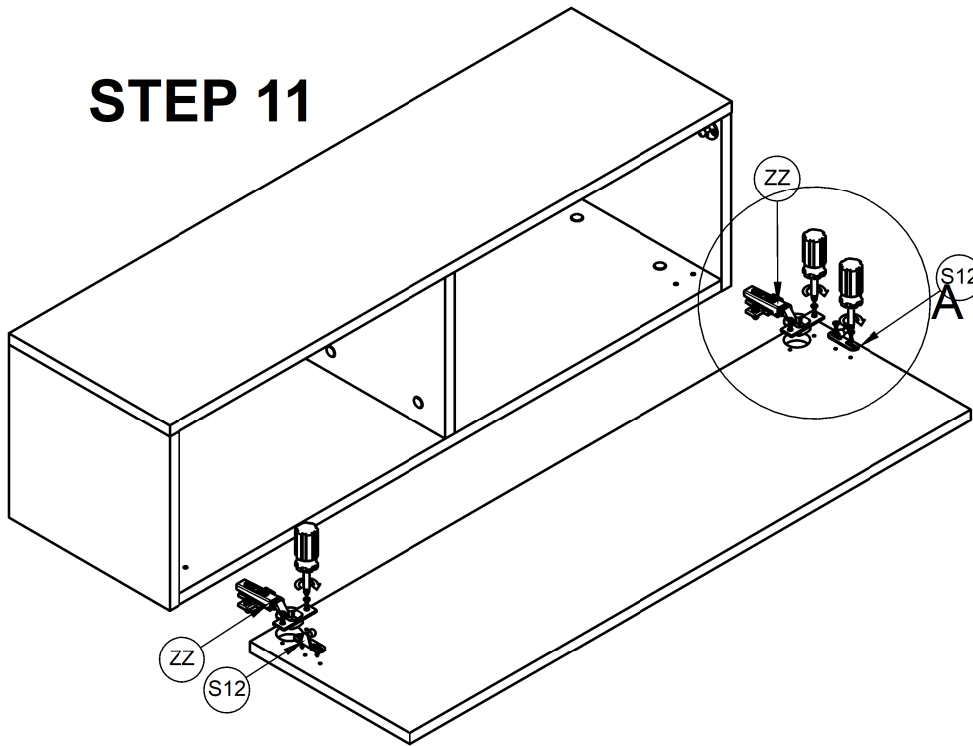


x2

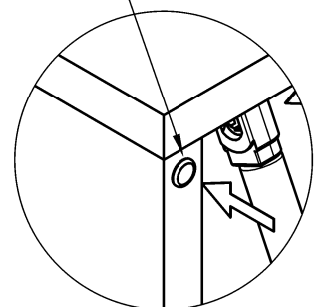
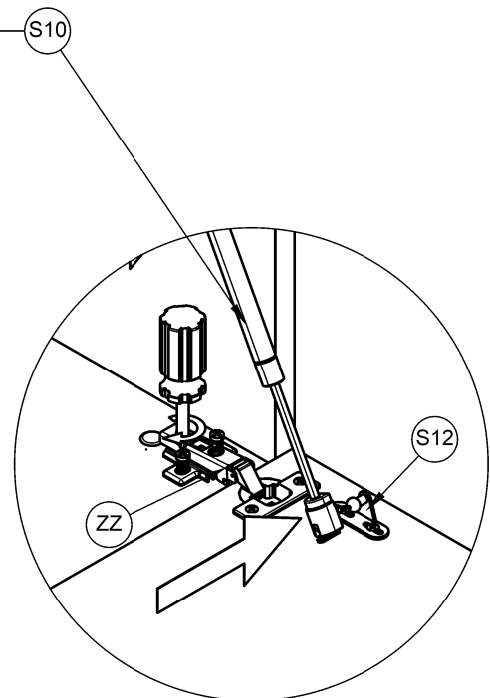
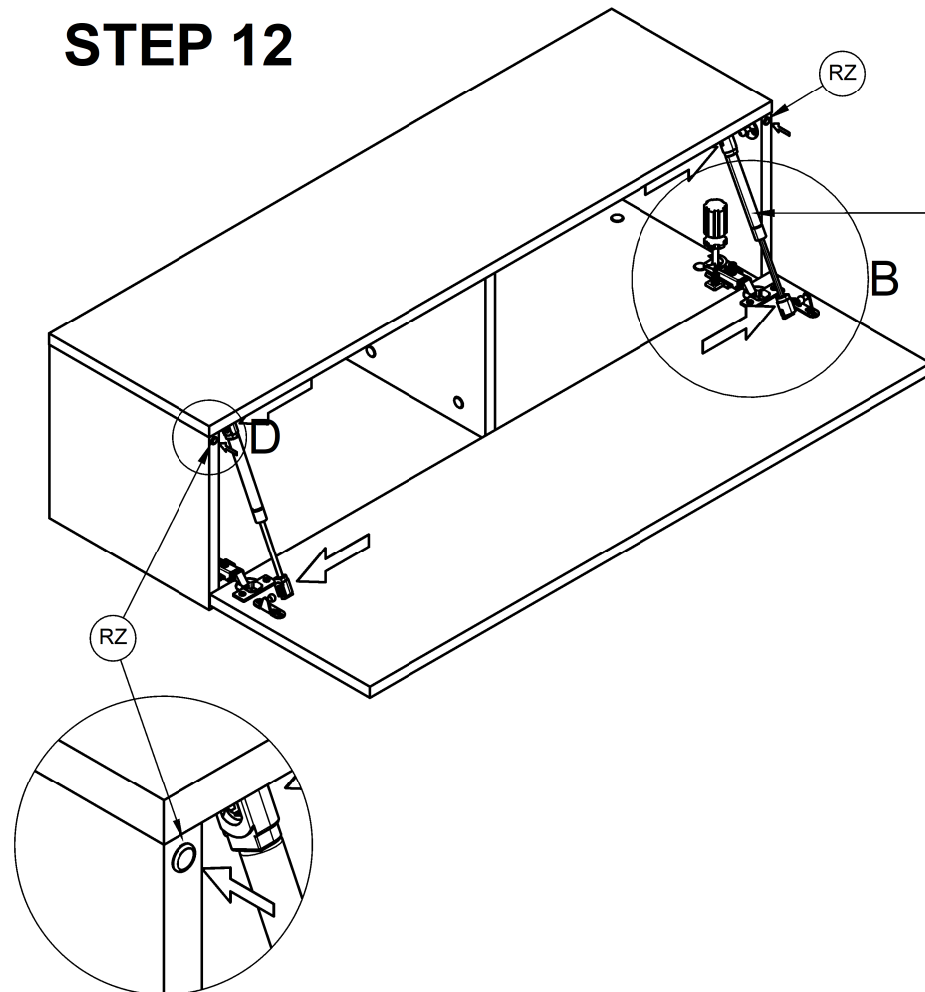


x2

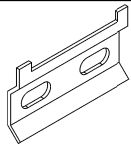
STEP 11



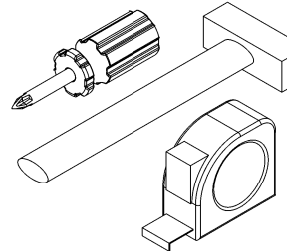
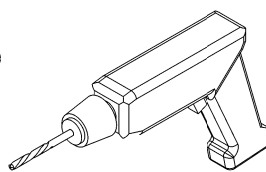
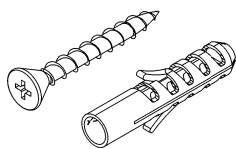
STEP 12



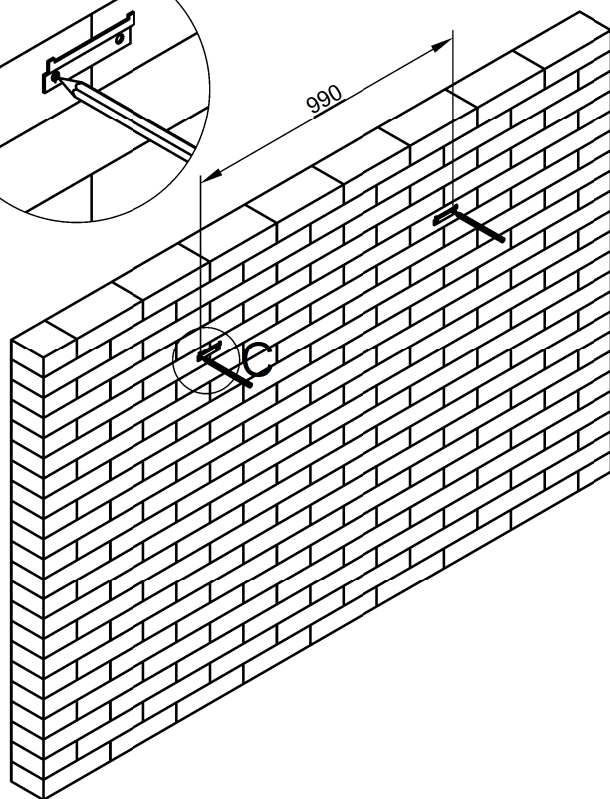
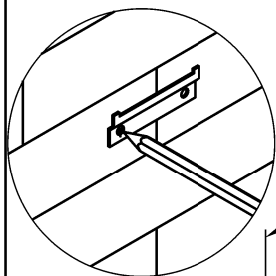
SZ



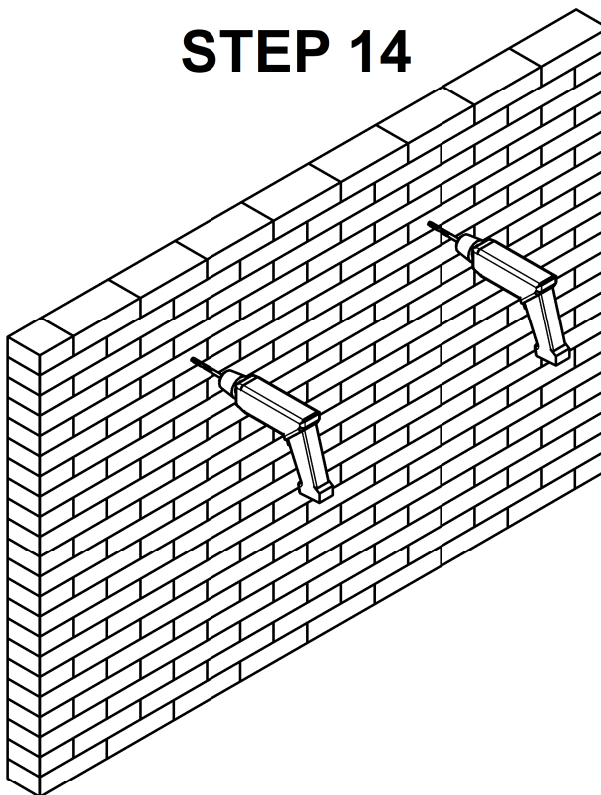
x2



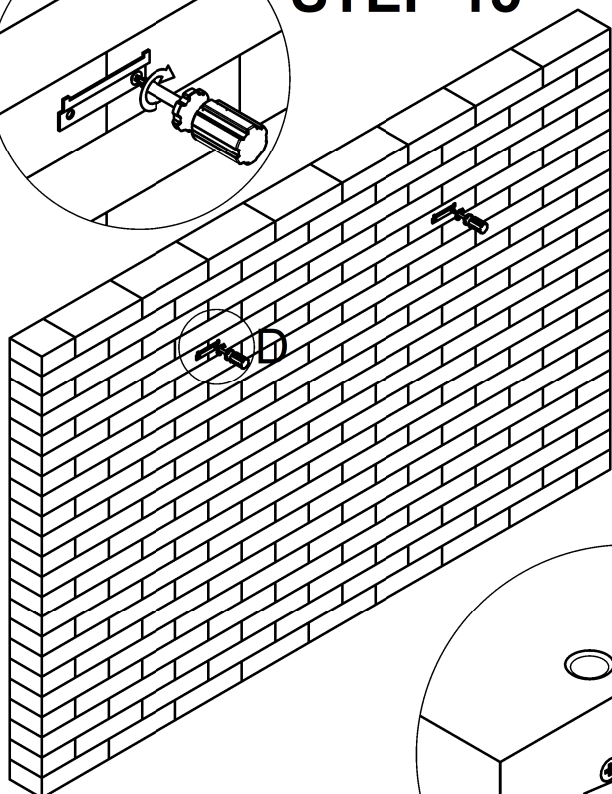
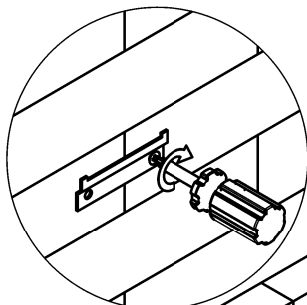
STEP 13



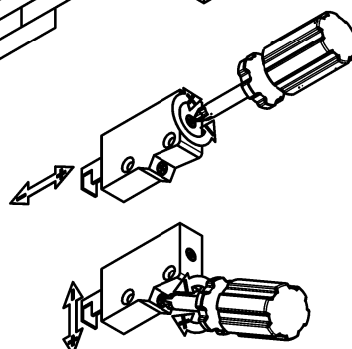
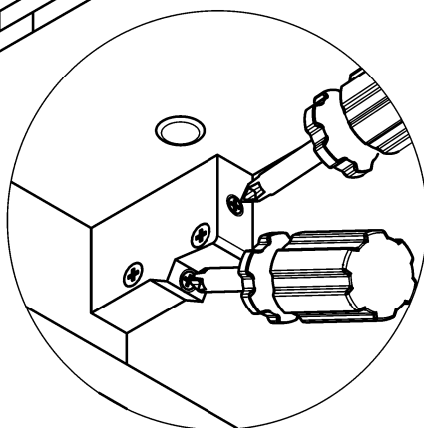
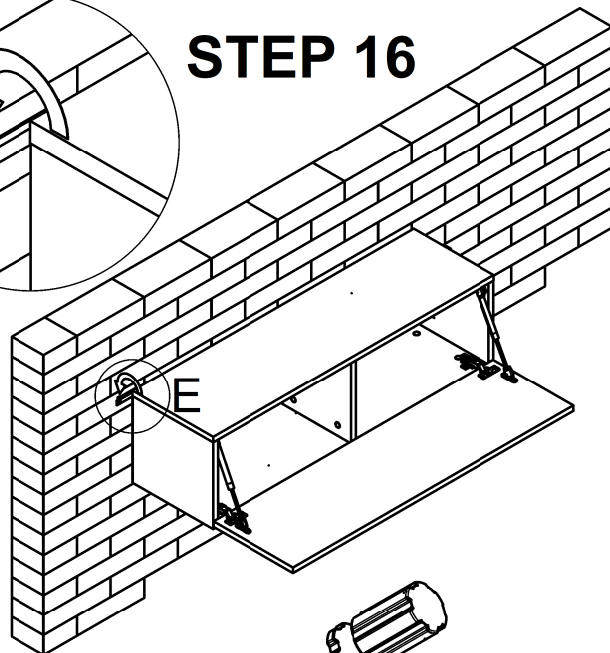
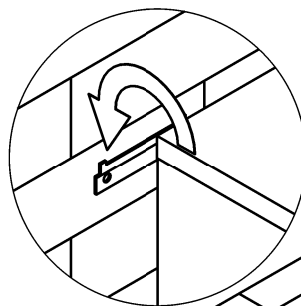
STEP 14



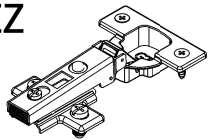
STEP 15



STEP 16



ZZ



x2

