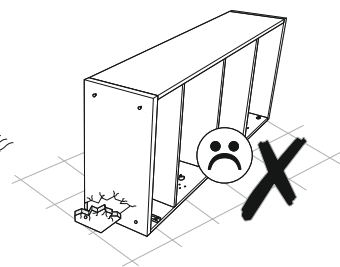
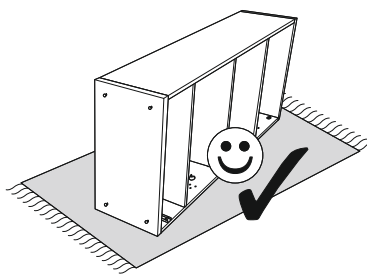
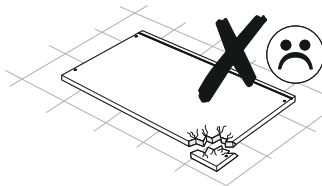
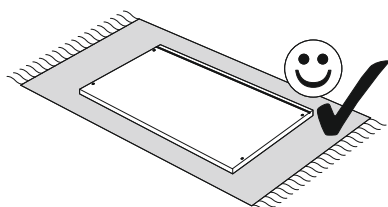
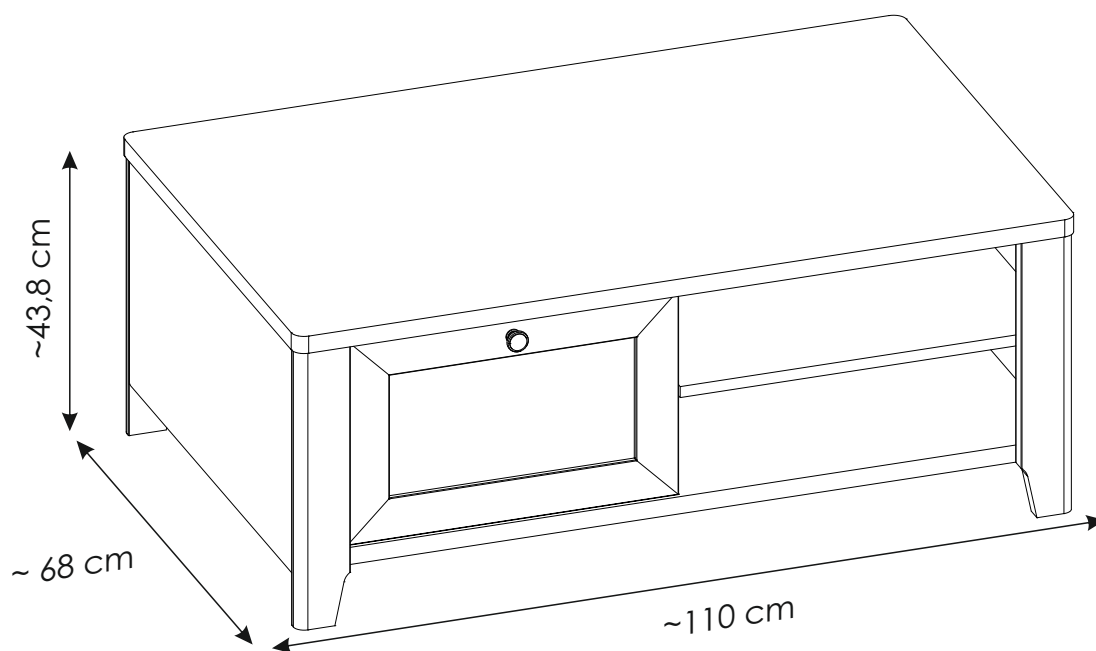
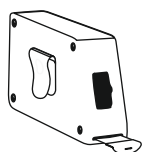
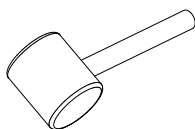
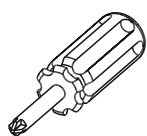
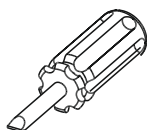
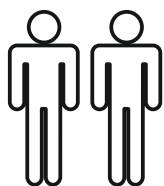
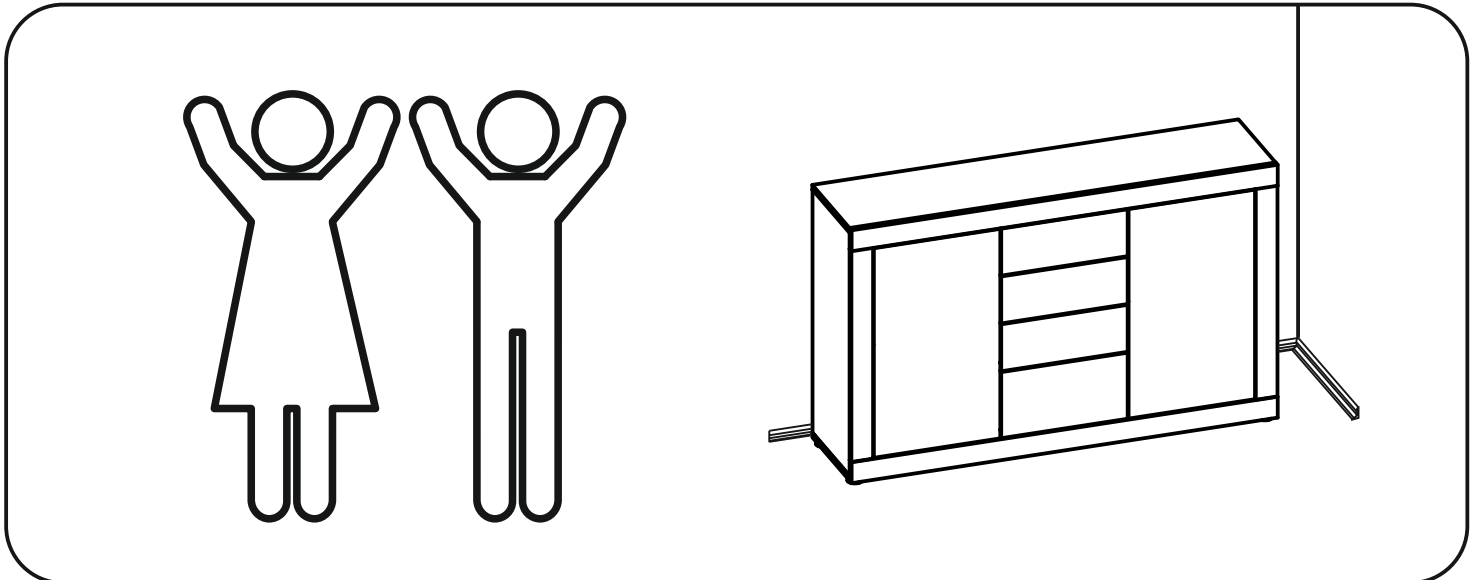
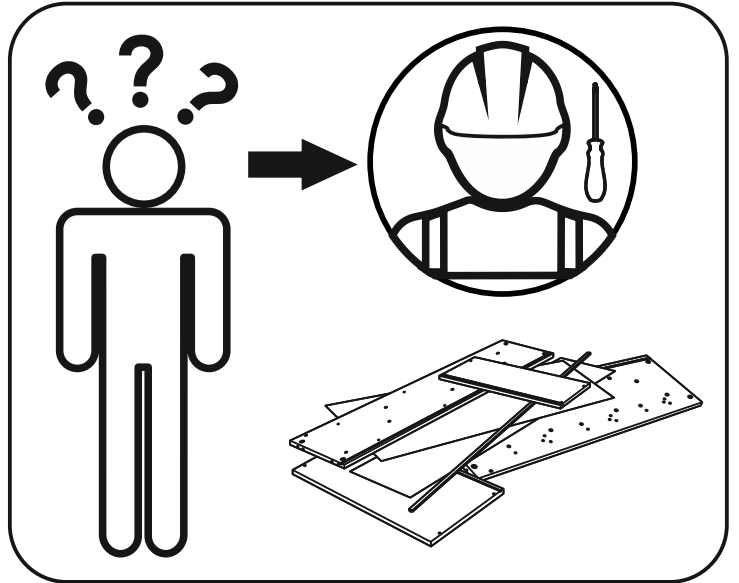
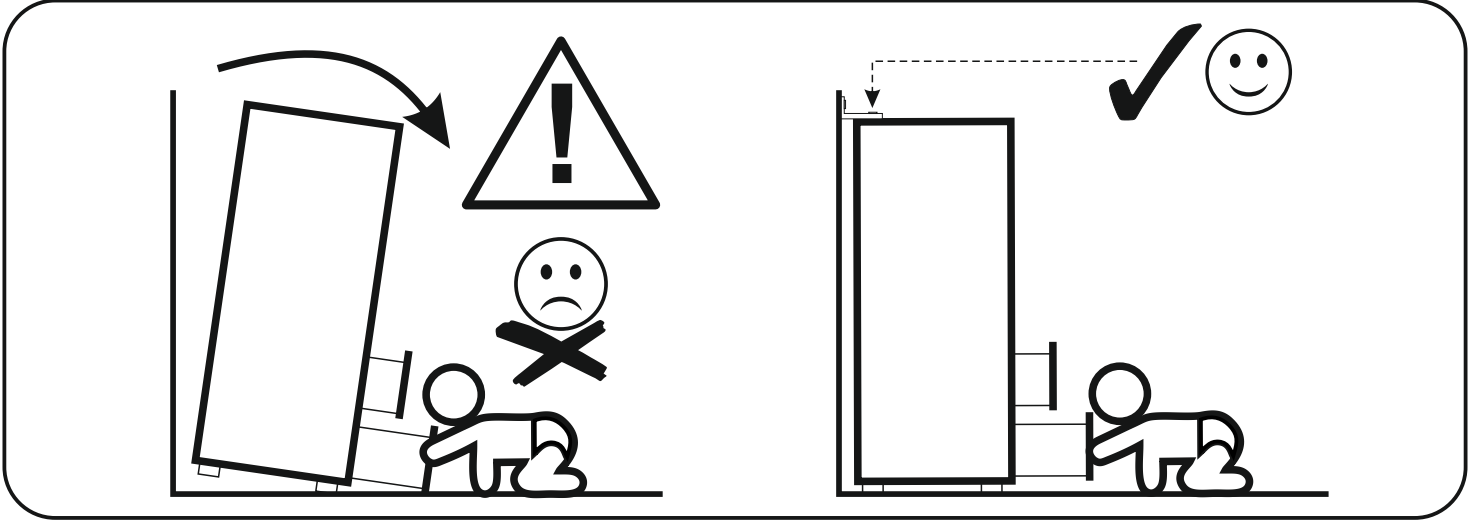
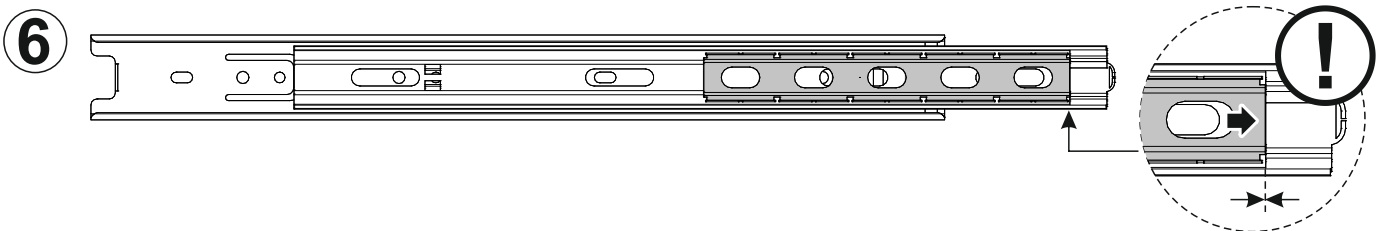
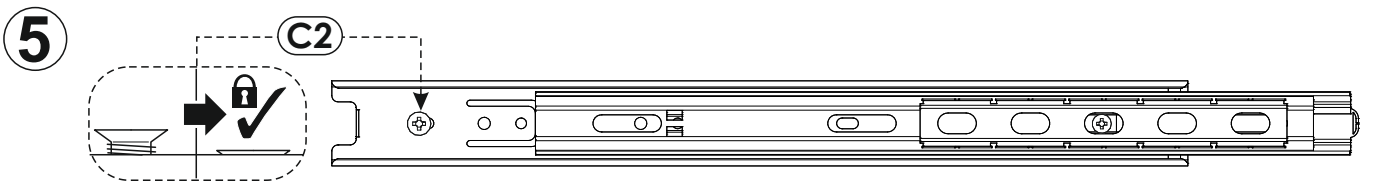
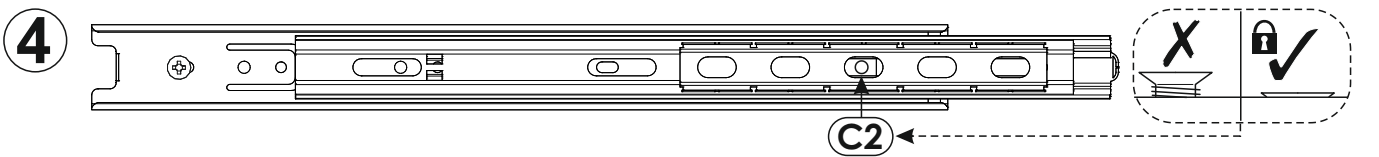
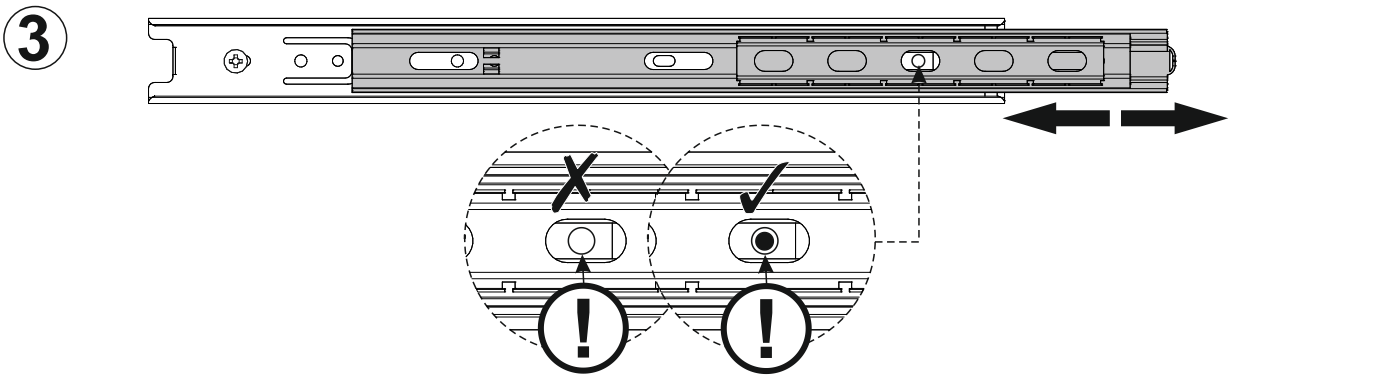
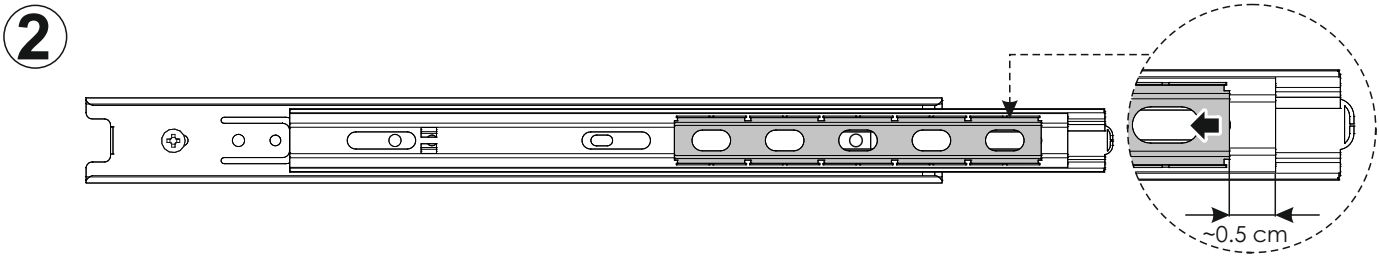
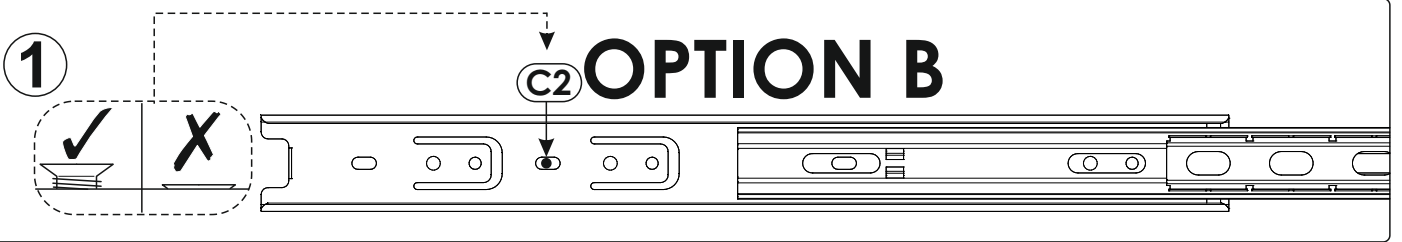
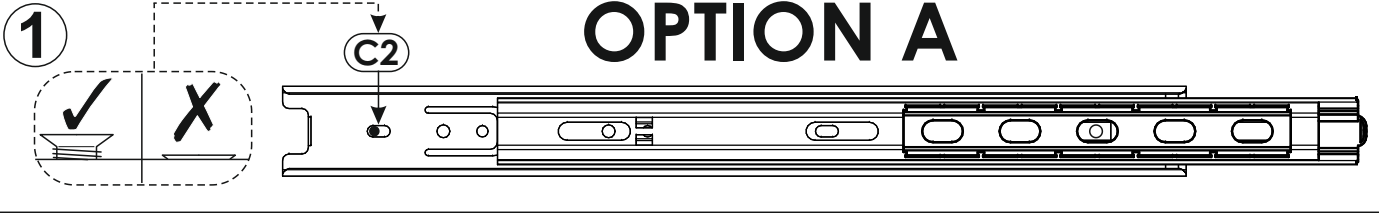


VNNT02

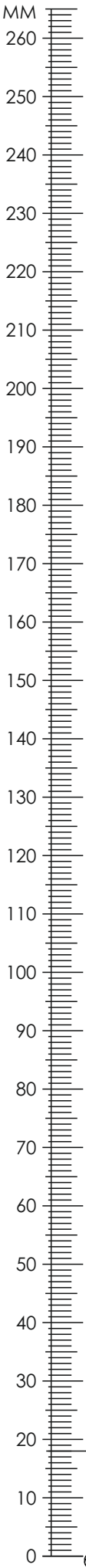



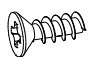
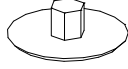

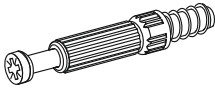
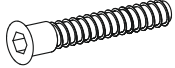
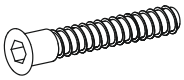
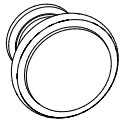
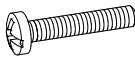
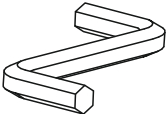


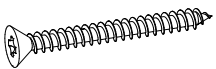
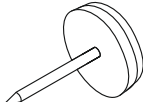

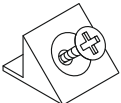
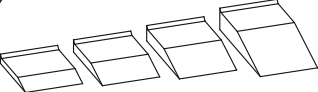


VNNT02

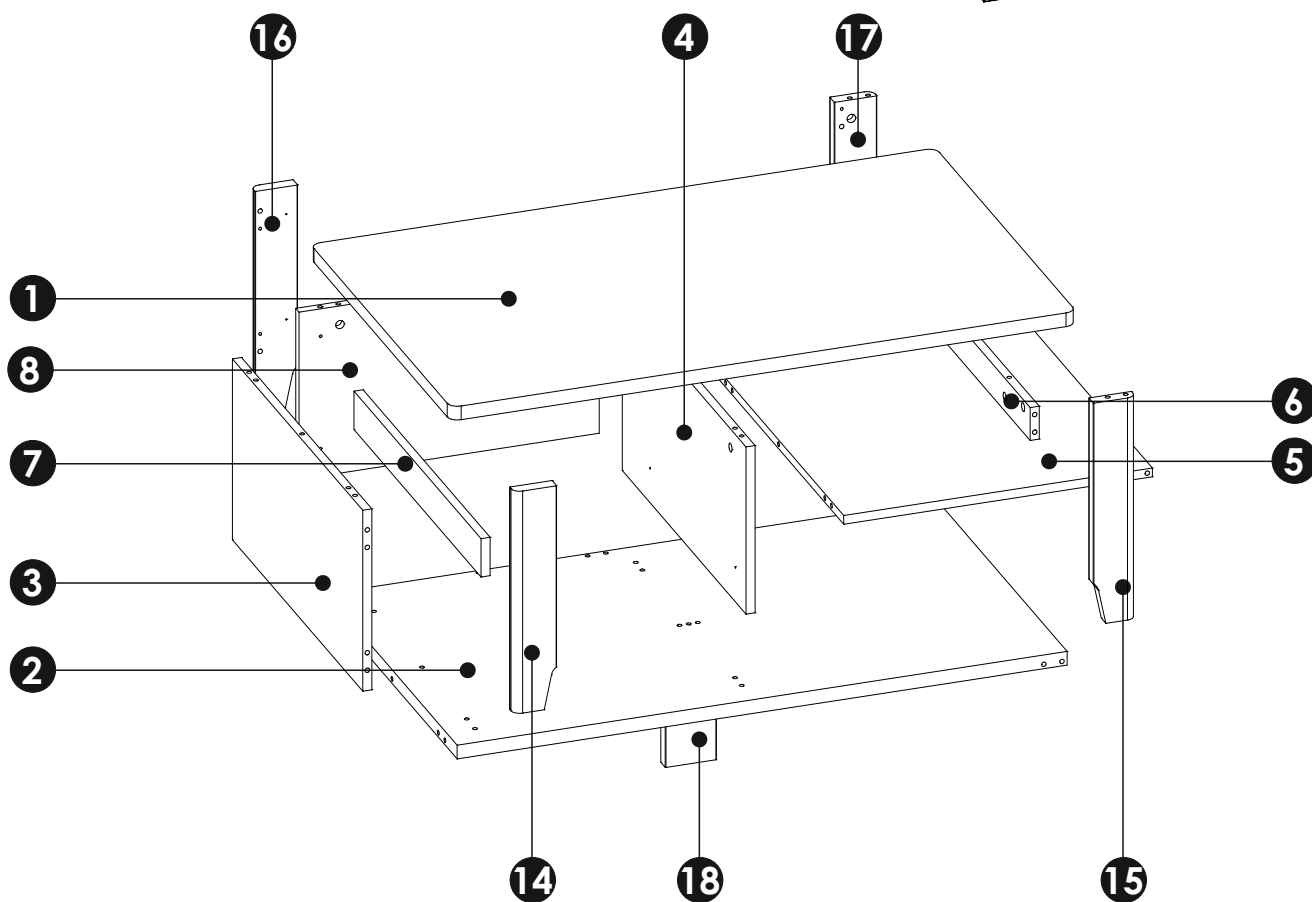
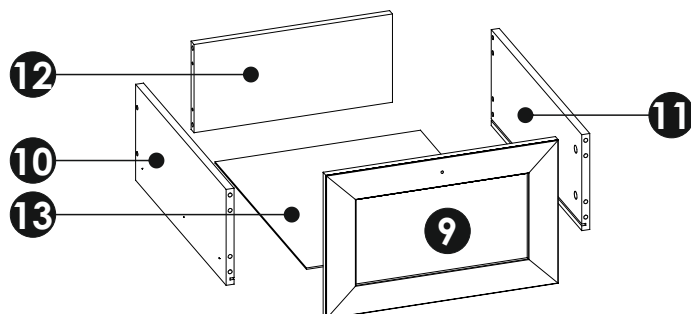
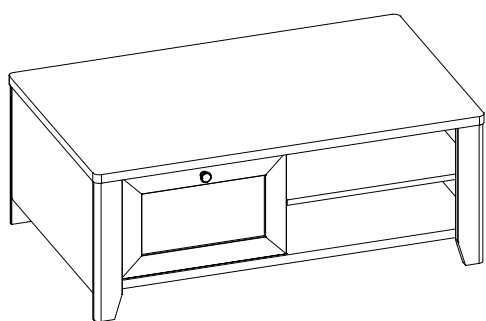


VNNT02



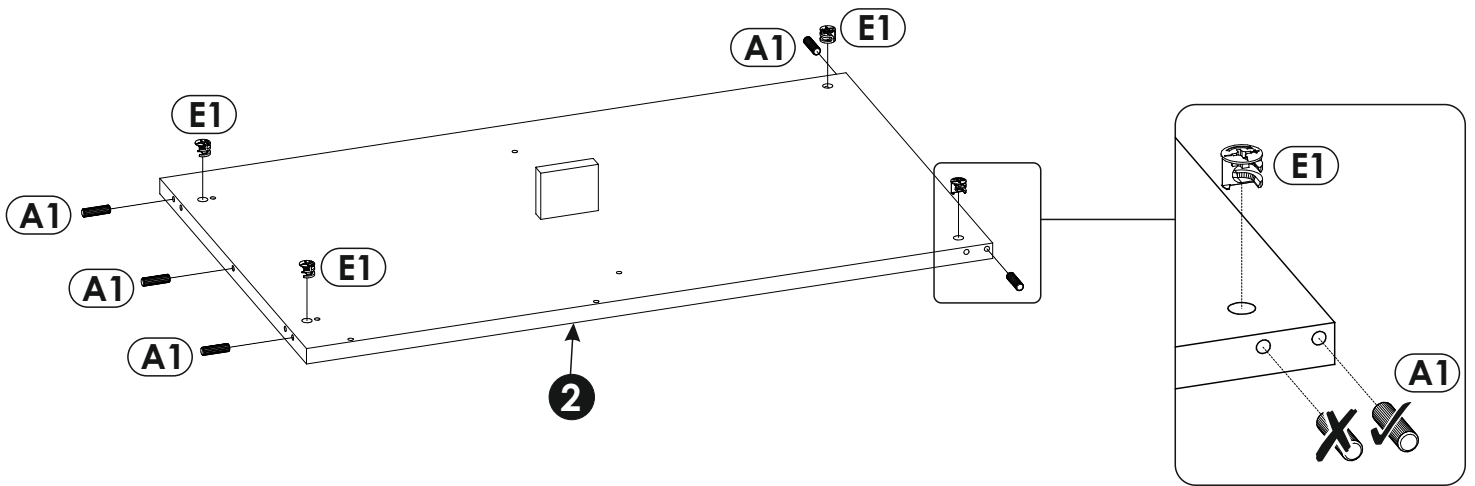
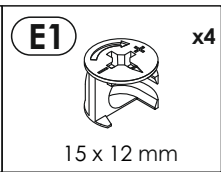
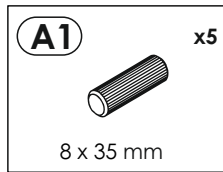
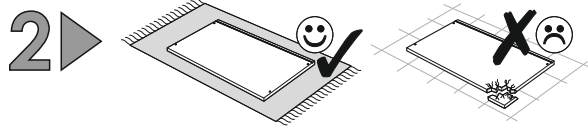
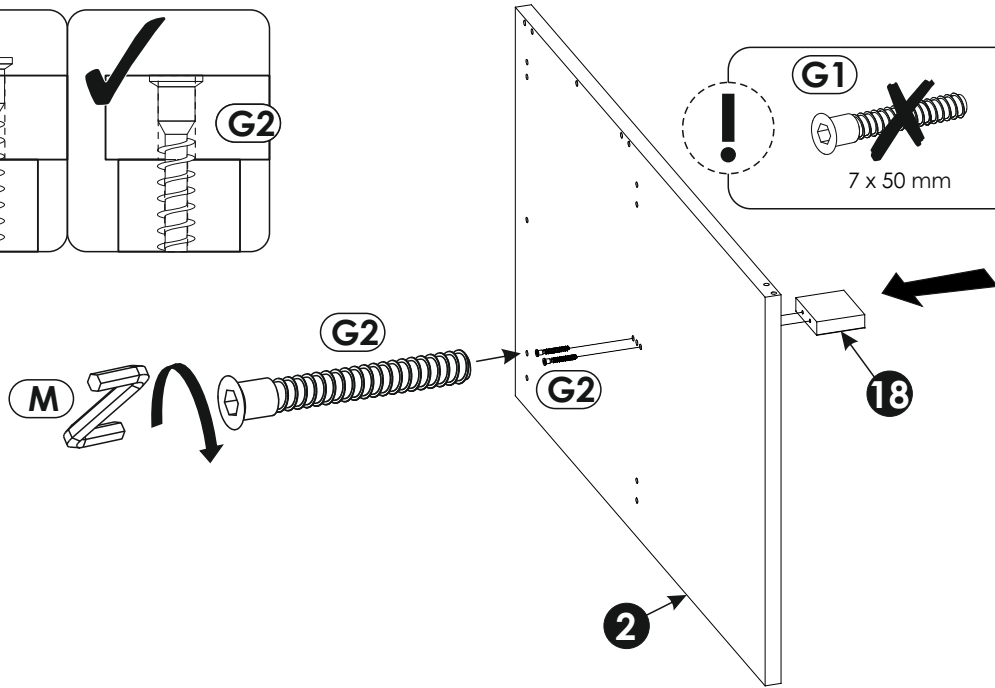
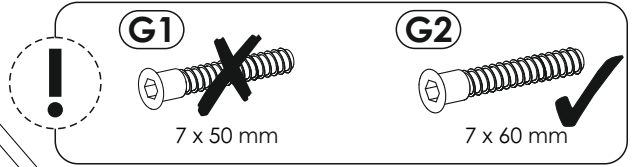
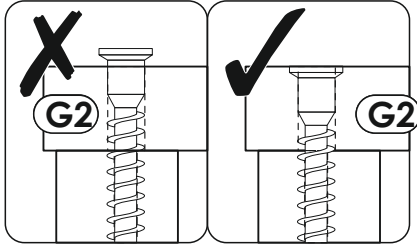
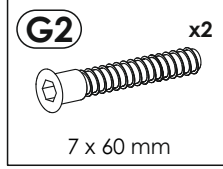
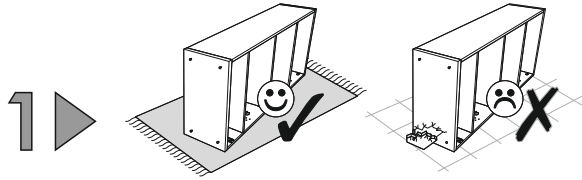
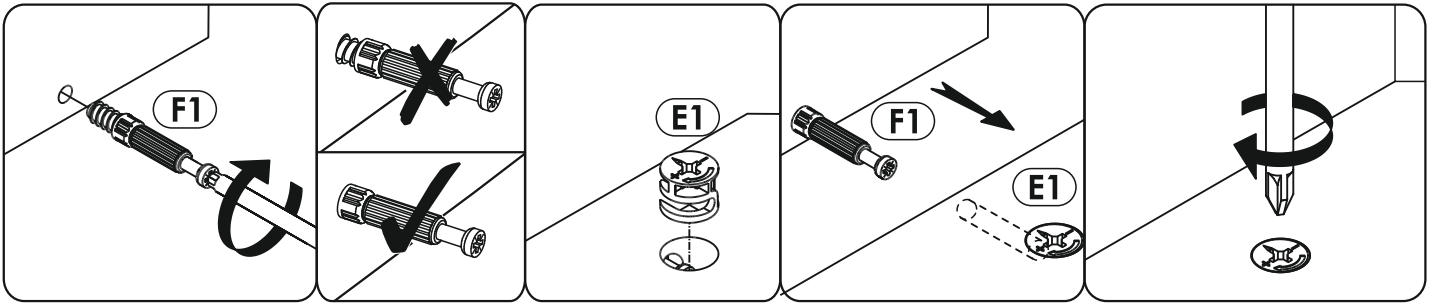
A1 8 x 35 mm x44 	C2 5 x 13 mm x4 	E0 Ø16 x14 
E1 15 x 12 mm x28 	F1 6 x 34 mm x28 	G1 7 x 50 mm x6 
G2 7 x 60 mm x6 	H1 x1 	K7 4 x 22 mm x1 
M x1 	N1 3 x 16 mm x5 	N5 3,5 x 16 mm x6 
N16 4 x 30 mm x2 	O2 x5 	PW x2  L - 500mm
R4 x1 	Z x1 	

VNNT02

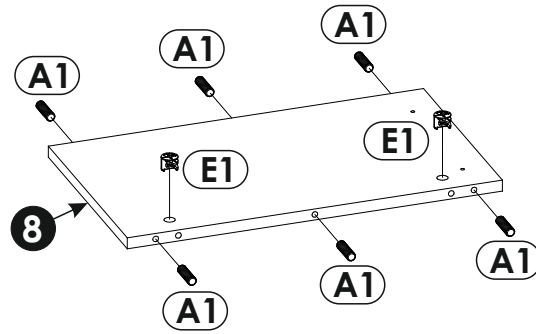
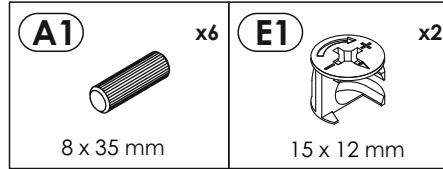
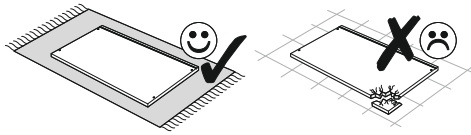


1	1100	680	25	x1	2/2
2	1073	630	25	x1	2/2
3	330	630	16	x1	1/2
4	305	598	16	x1	1/2
5	543	630	16	x1	1/2
6	630	60	16	x1	1/2
7	70	614	16	x1	1/2
8	528	305	16	x1	1/2
9	467	299	16	x1	1/2

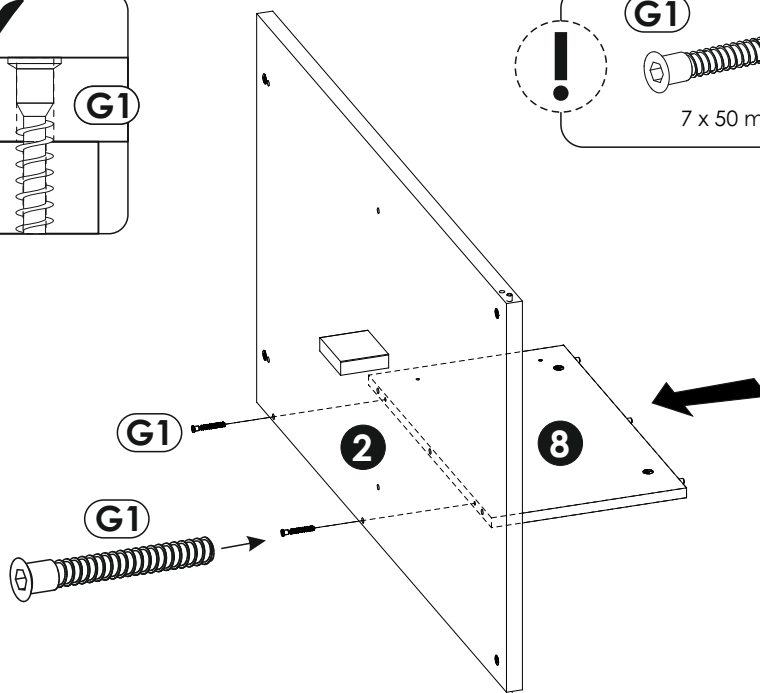
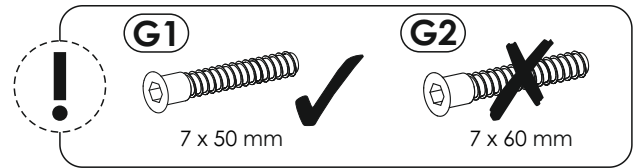
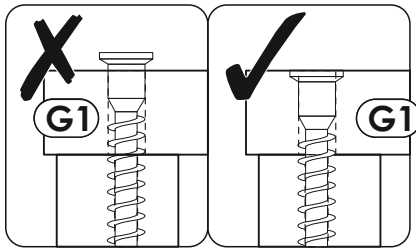
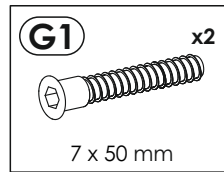
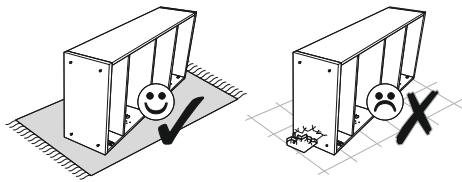
10	500	200	16	x1	1/2
11	500	200	16	x1	1/2
12	399	184	16	x1	1/2
13	413	505	3	x1	1/2
14	405	75	22	x1	1/2
15	405	75	22	x1	1/2
16	405	75	22	x1	1/2
17	405	75	22	x1	1/2
18	75	90	22	x1	1/2



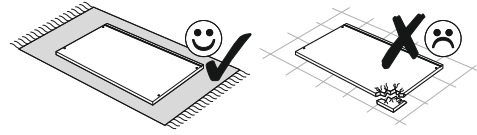
3 ▶▶



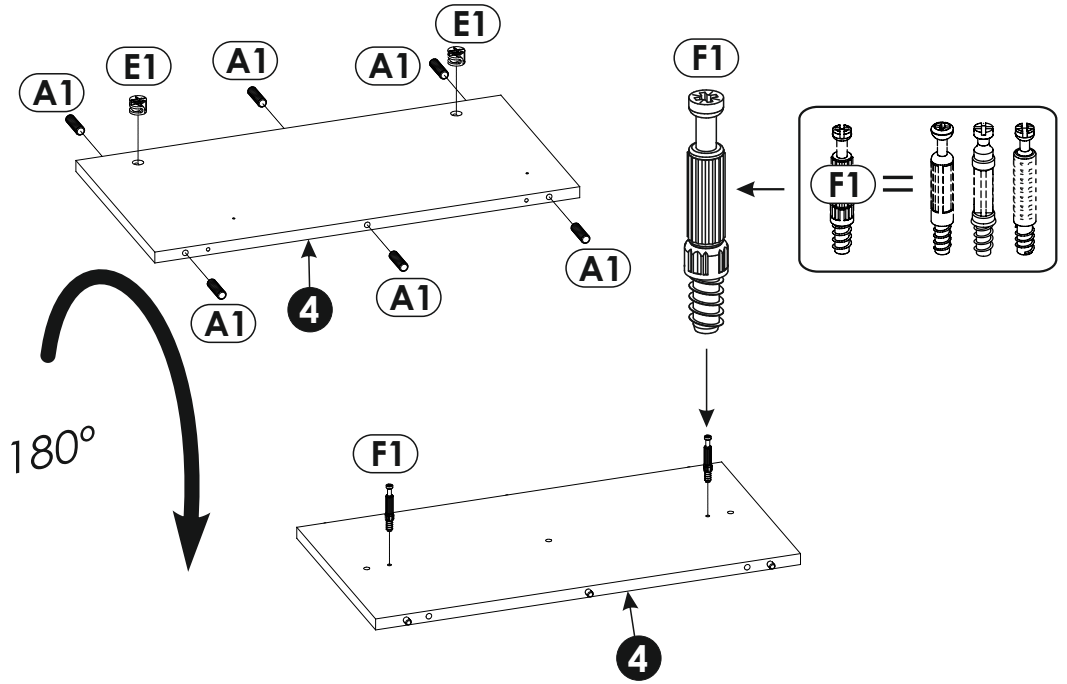
4 ▶▶



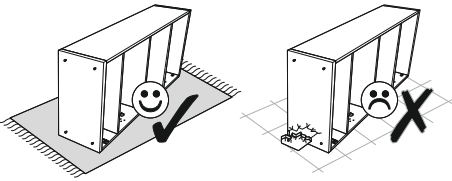
5 ▶



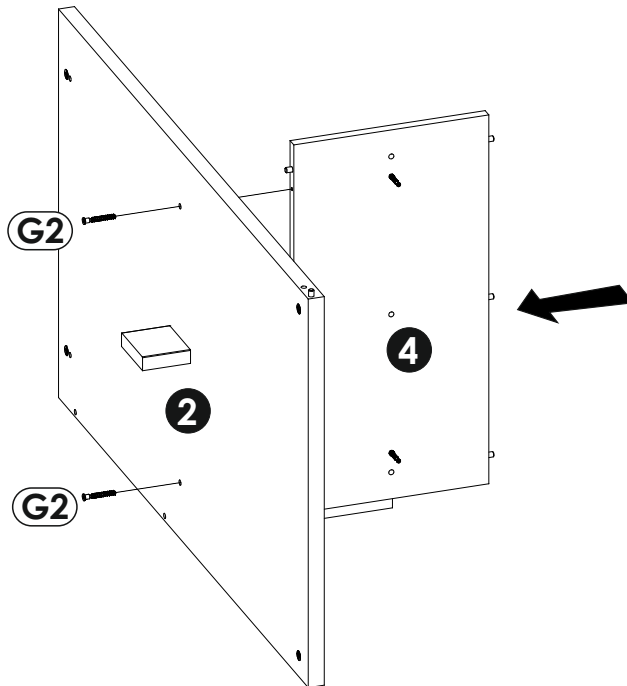
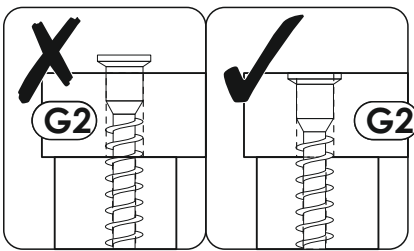
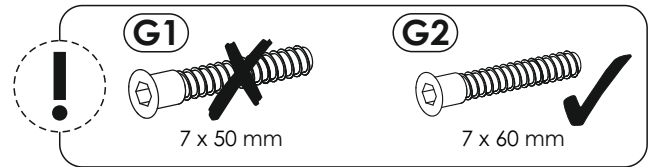
A1 x6 8 x 35 mm	E1 x2 15 x 12 mm	F1 x2 6 x 34 mm
------------------------------	-------------------------------	------------------------------



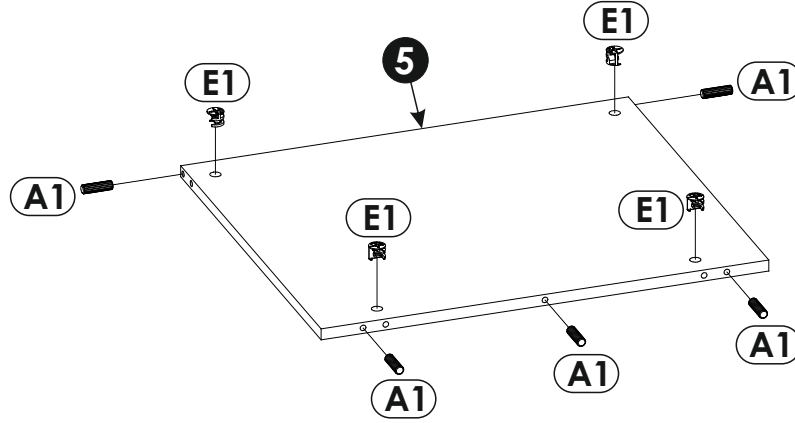
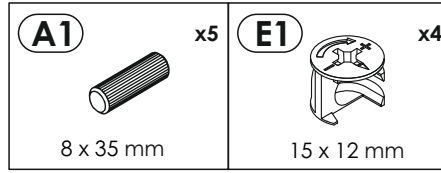
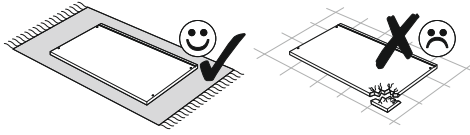
6 ▶



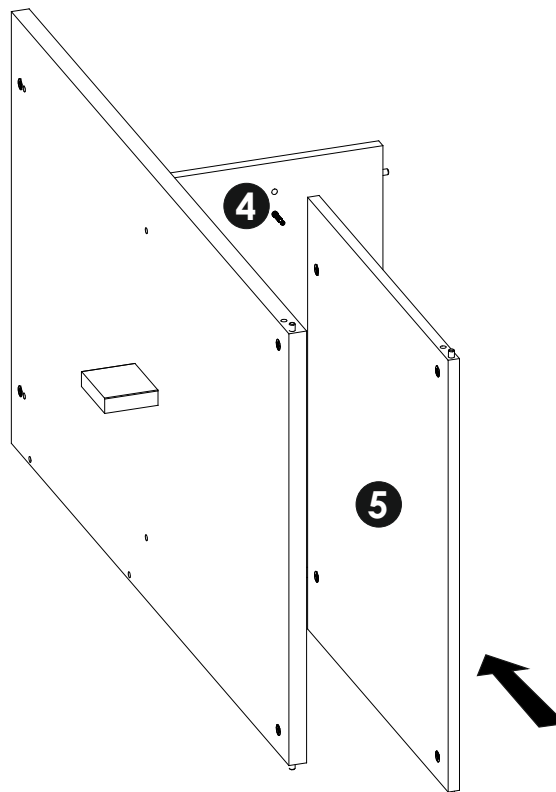
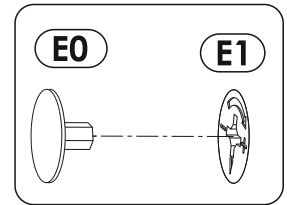
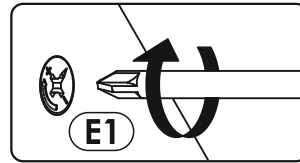
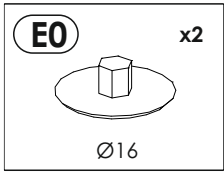
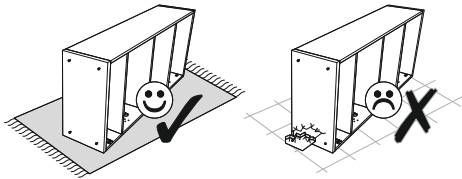
G2 x2 7 x 60 mm



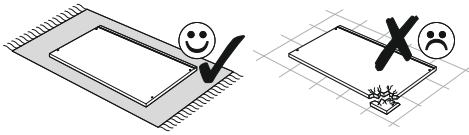
7



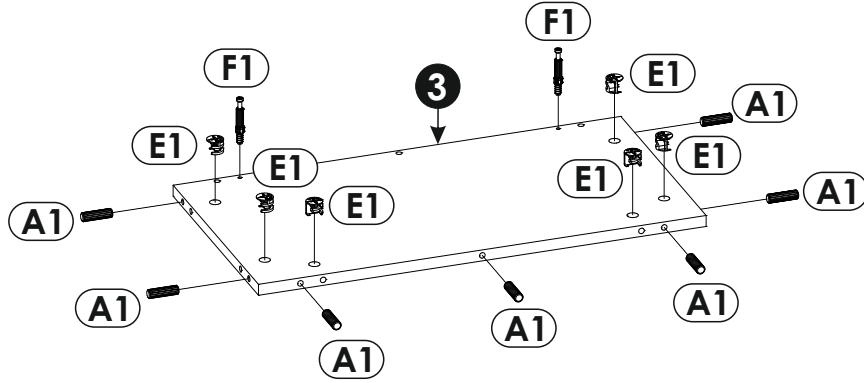
8



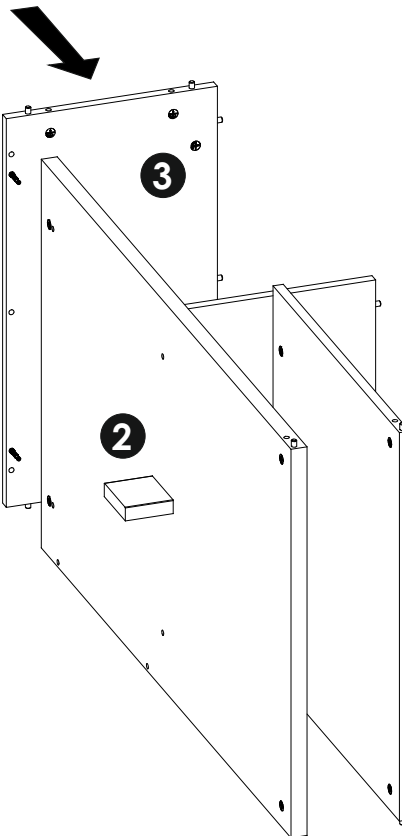
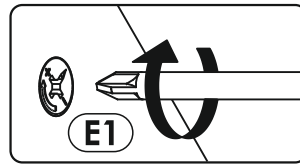
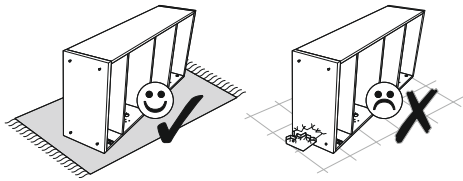
9 ▶



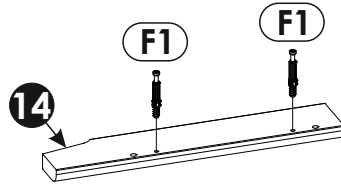
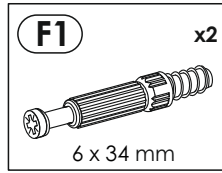
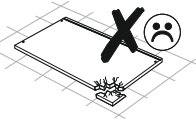
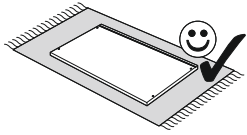
A1 x7 8 x 35 mm	E1 x6 15 x 12 mm	F1 x2 6 x 34 mm
------------------------------	-------------------------------	------------------------------



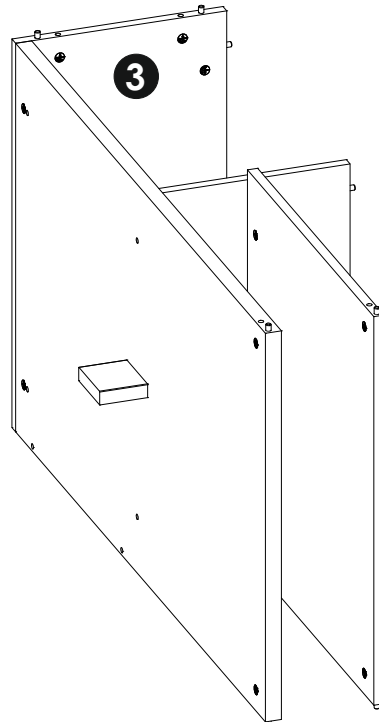
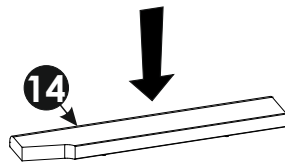
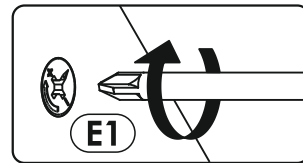
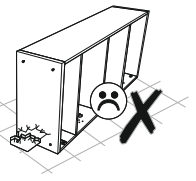
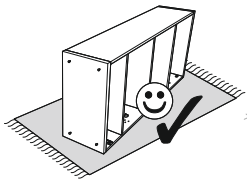
10 ▶



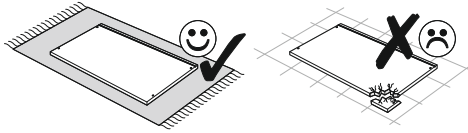
11 ▶

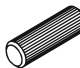

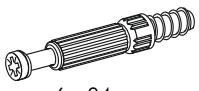


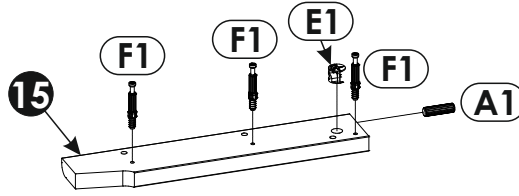
12 ▶



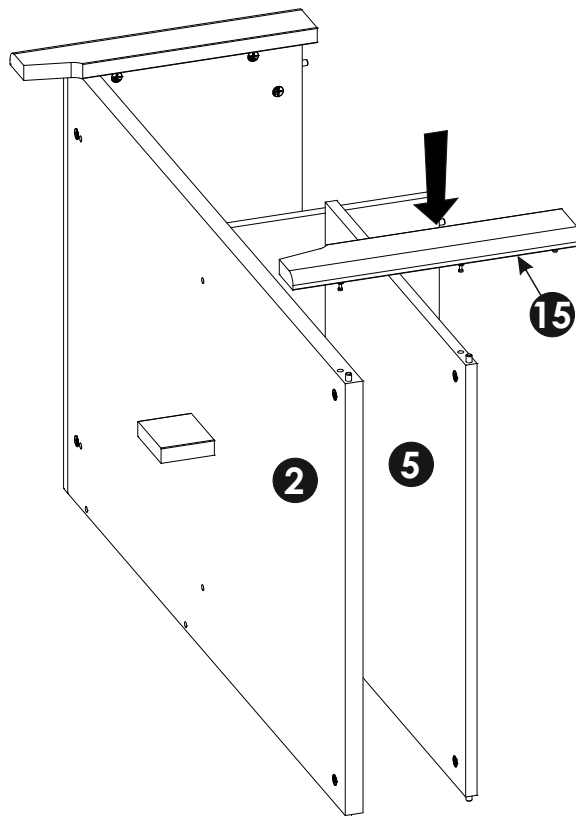
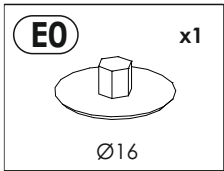
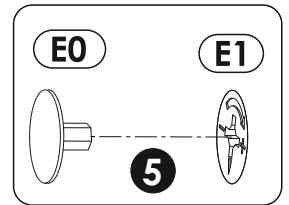
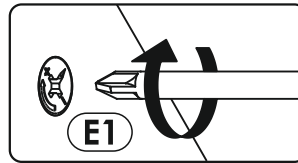
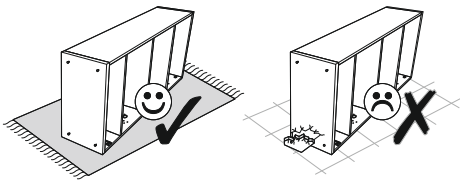
13▶



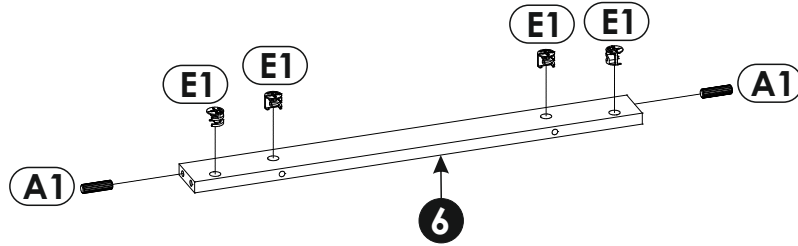
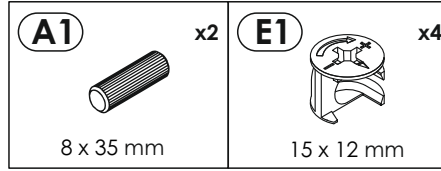
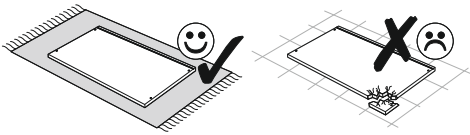
A1 x1	E1 x1	F1 x3
 8 x 35 mm	 15 x 12 mm	 6 x 34 mm



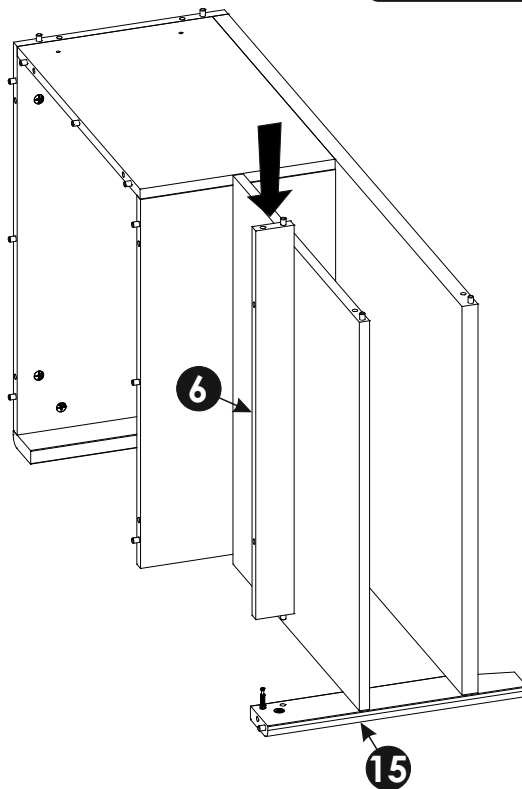
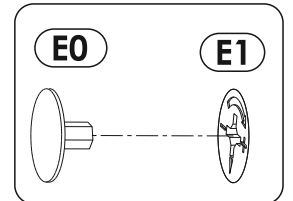
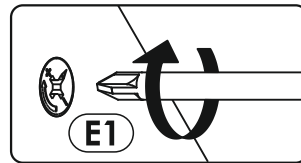
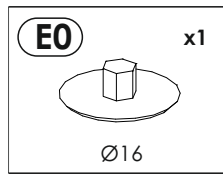
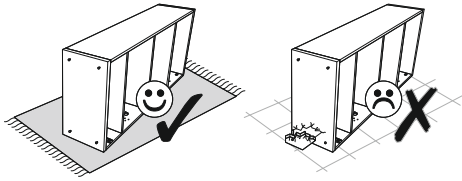
14▶



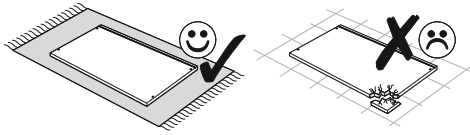
15▶

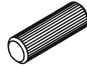

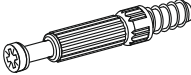


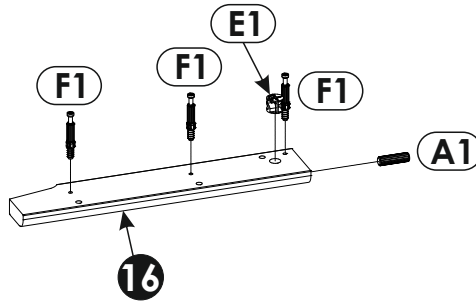
16▶



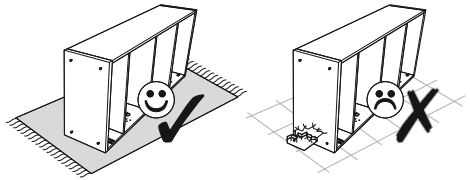
17▶

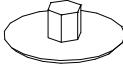


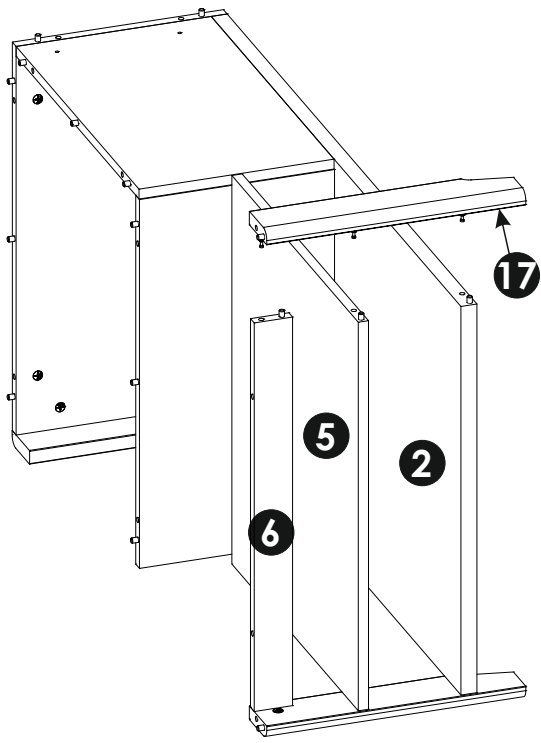
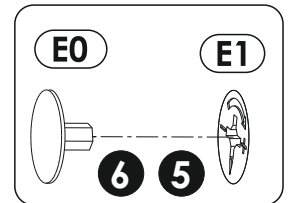
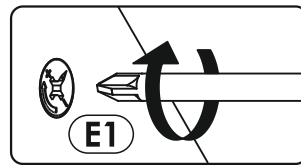
A1	x1	E1	x1	F1	x3
					
8 x 35 mm		15 x 12 mm		6 x 34 mm	



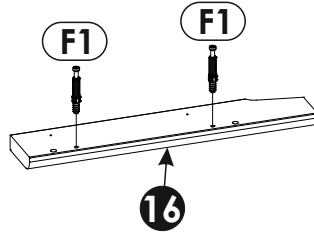
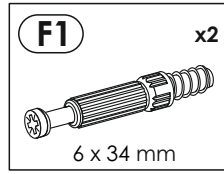
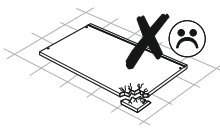
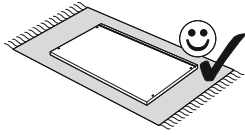
18▶



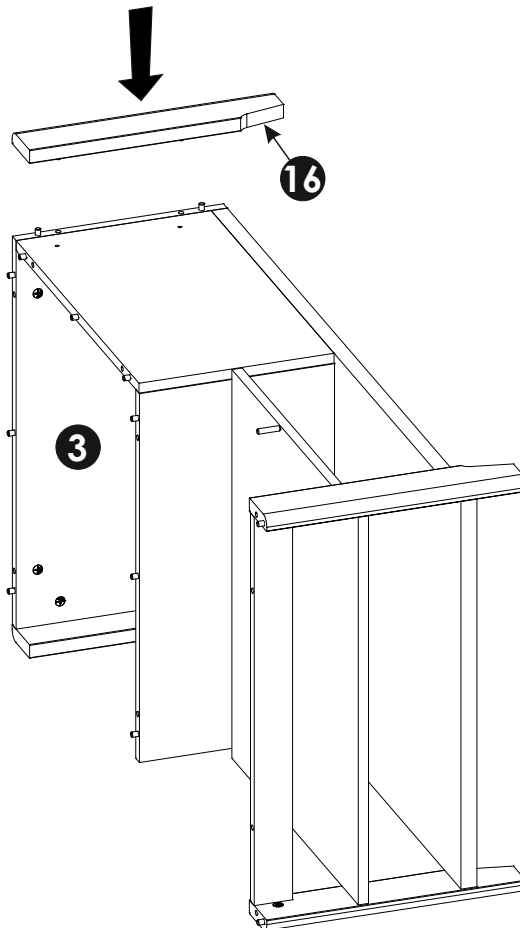
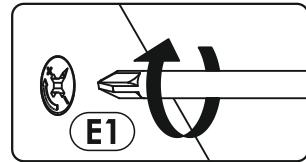
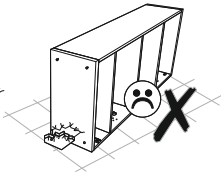
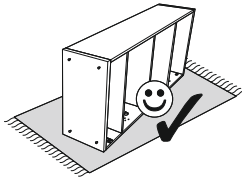
E0	x2
	
Ø16	



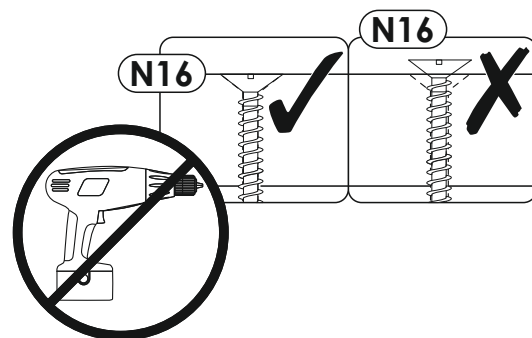
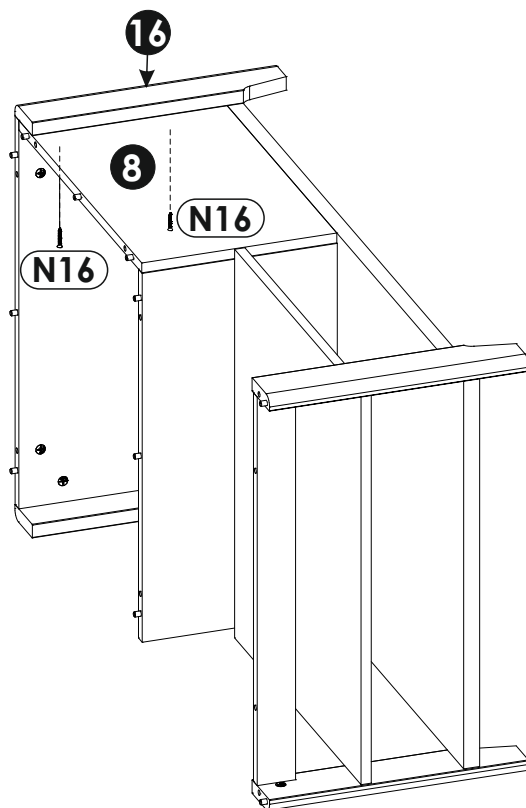
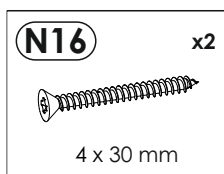
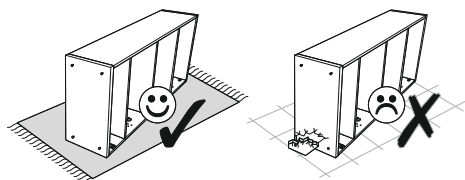
19▶



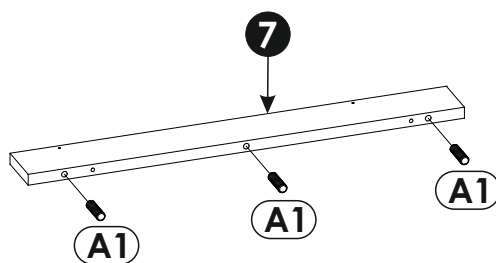
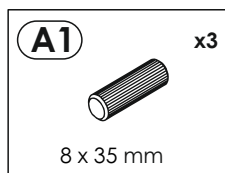
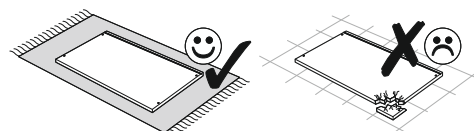
20▶



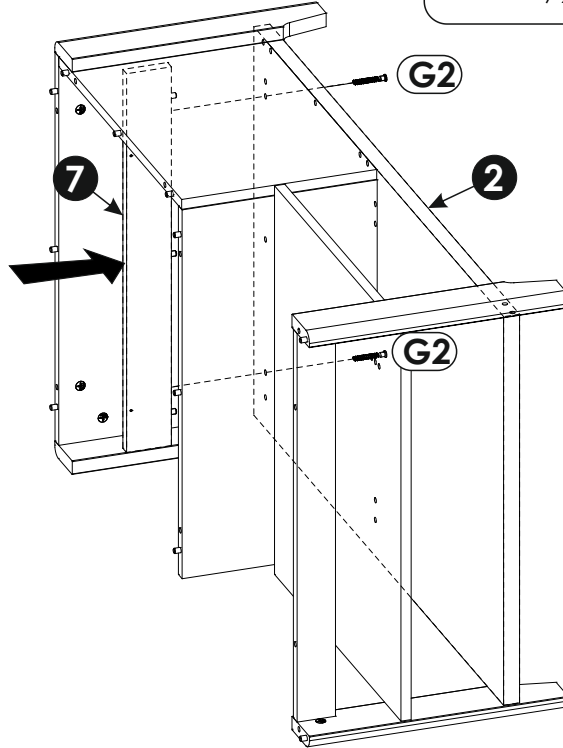
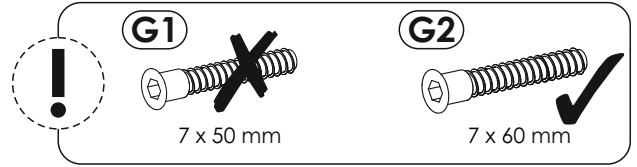
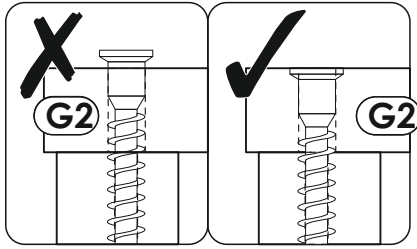
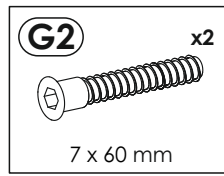
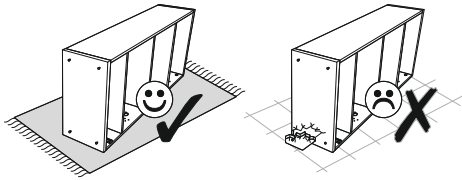
21 ▶



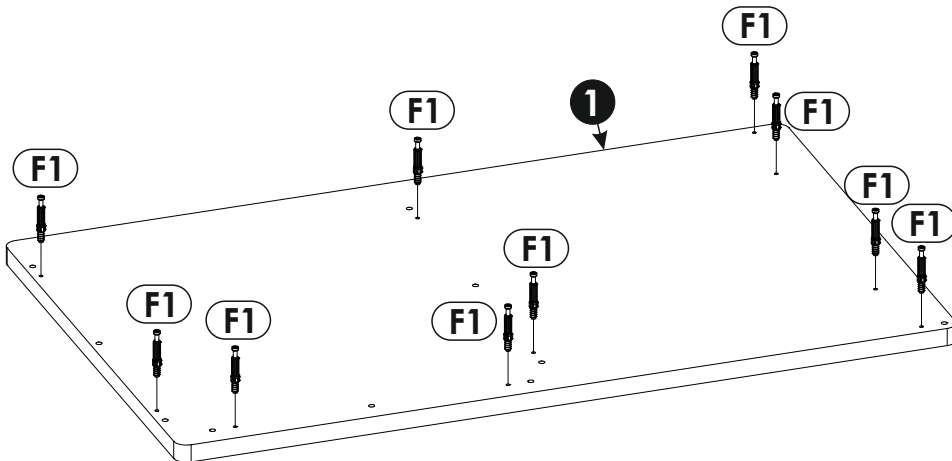
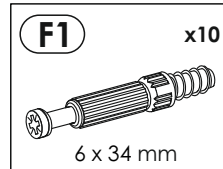
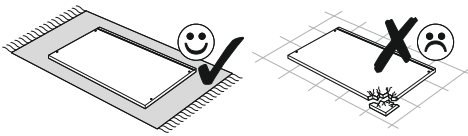
22 ▶



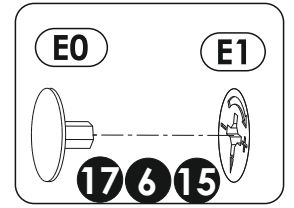
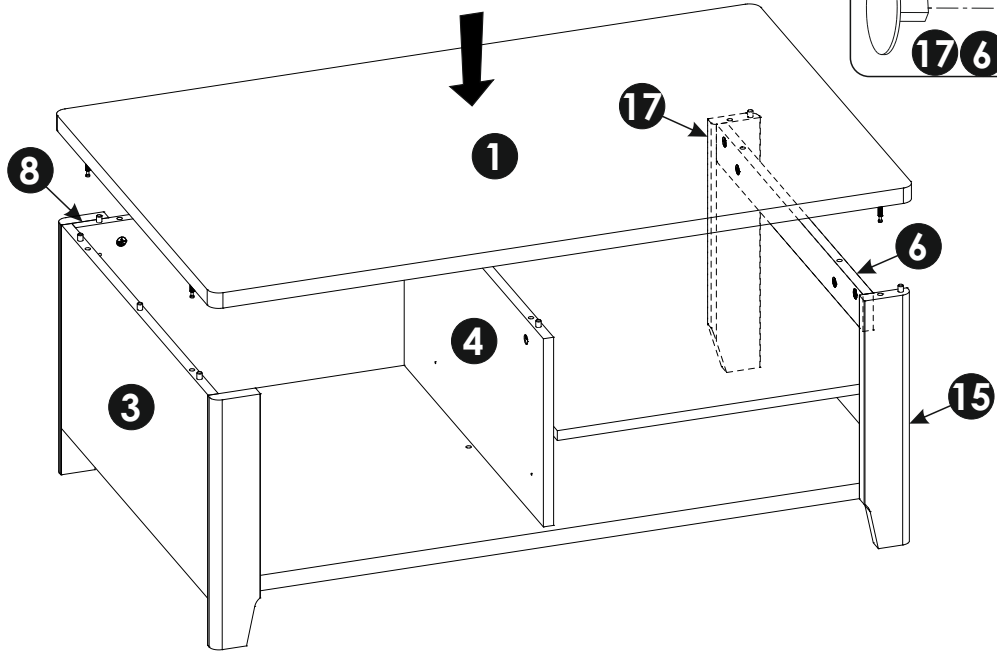
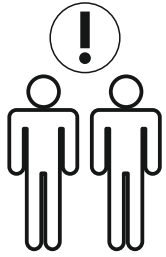
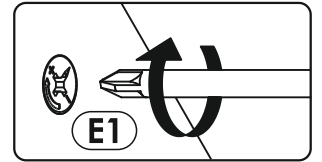
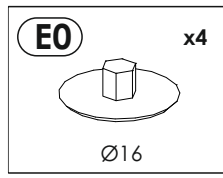
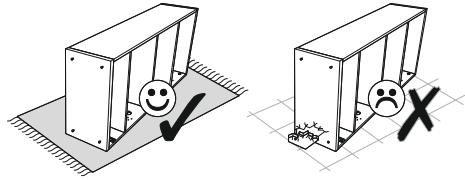
23 ▶



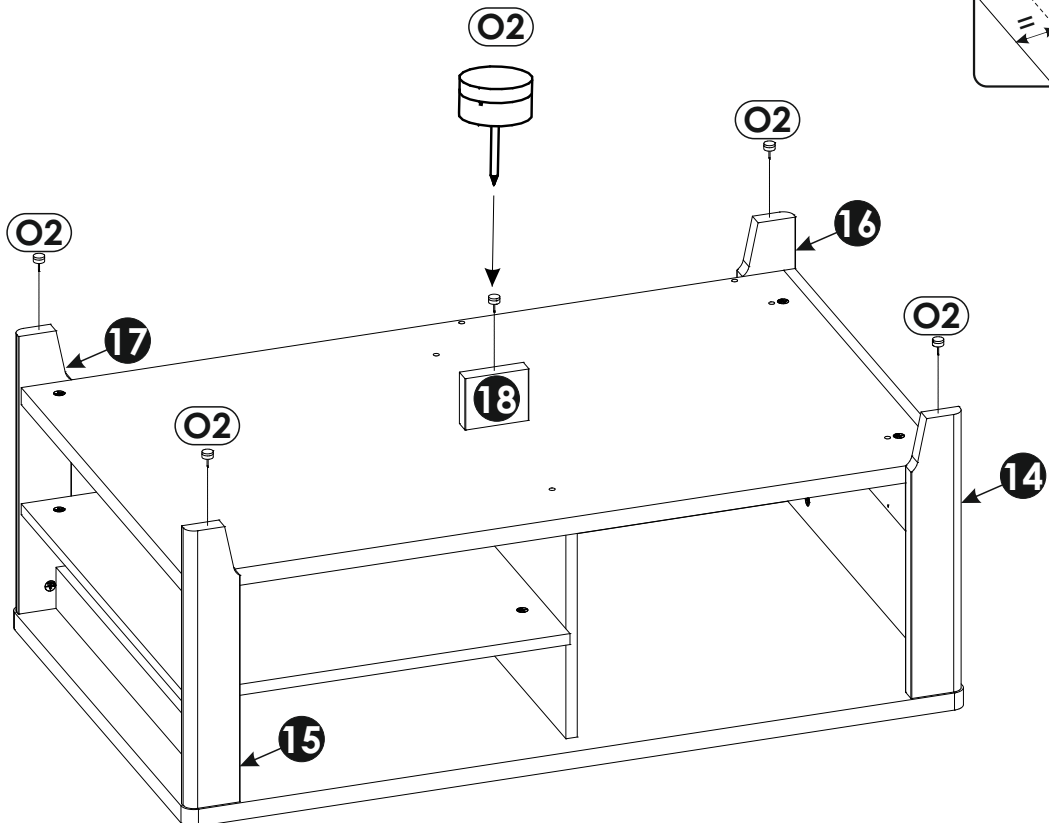
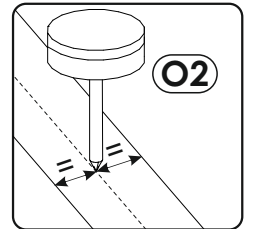
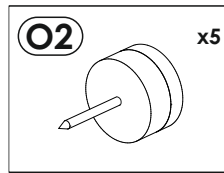
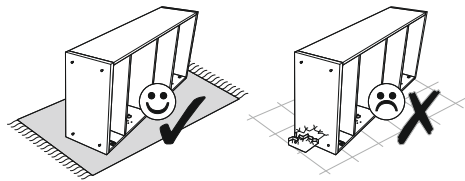
24 ▶

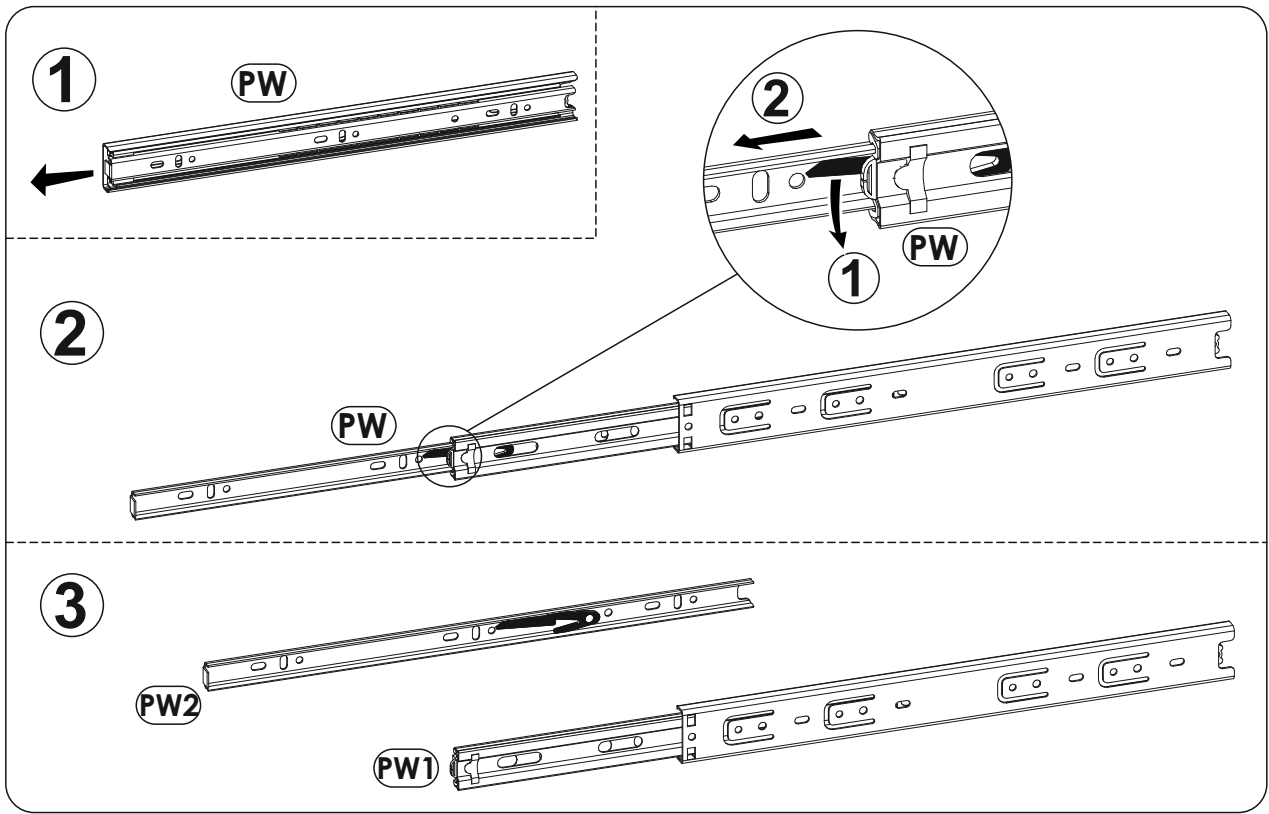


25 ▶

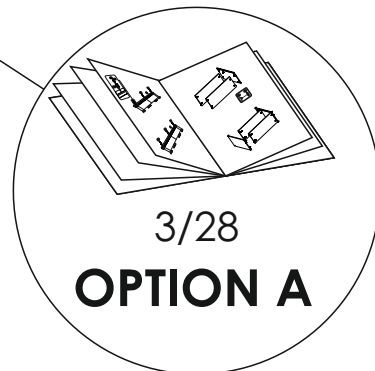
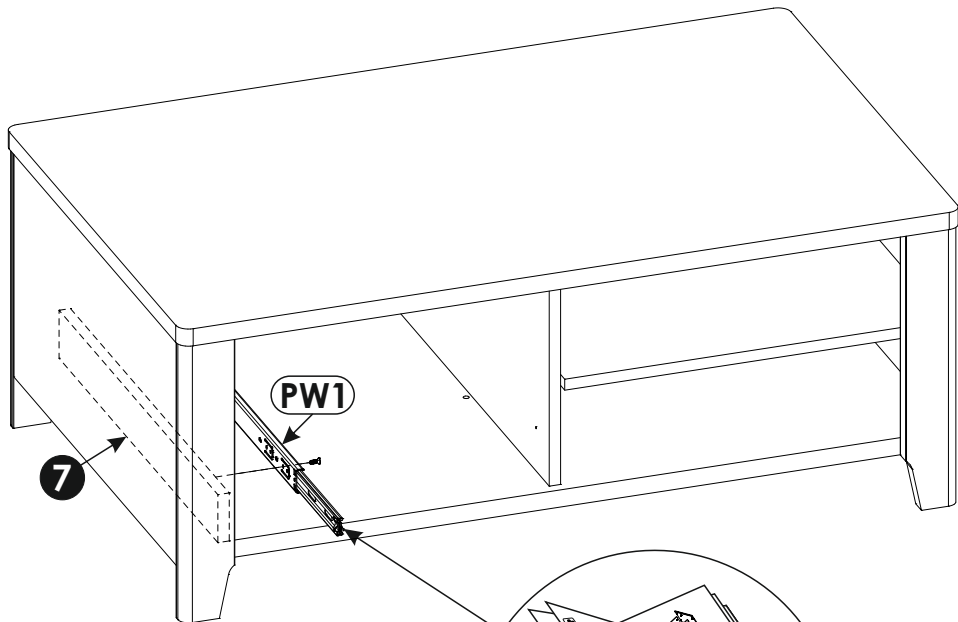
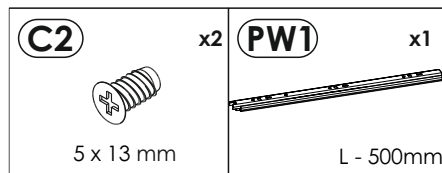
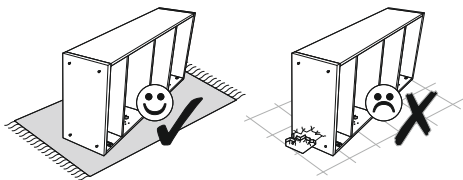


26 ▶

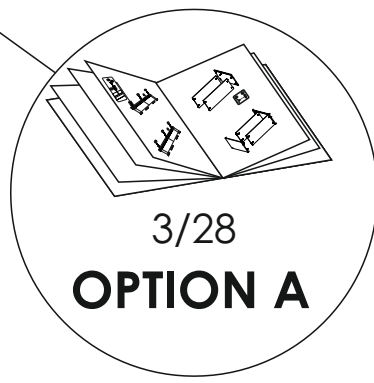
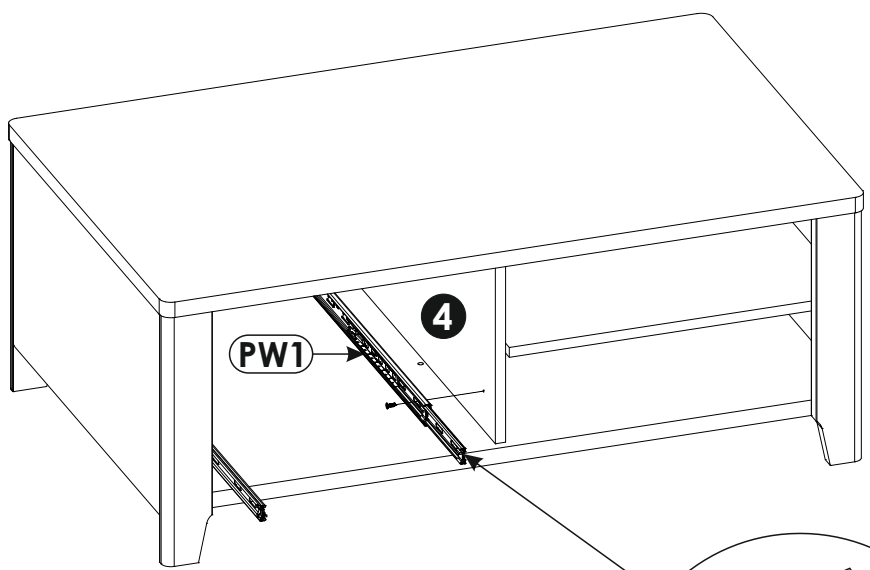
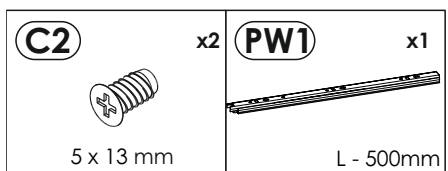
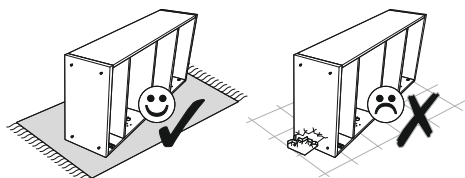




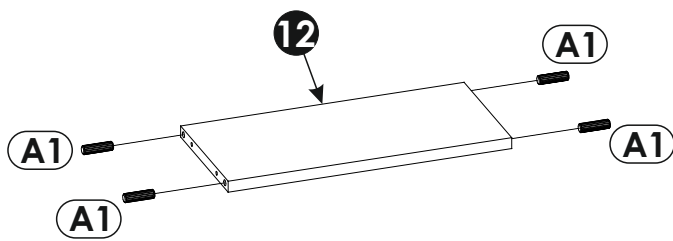
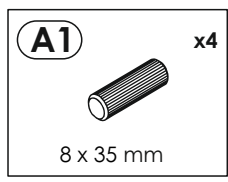
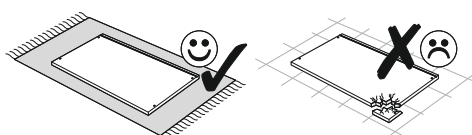
27 ▶



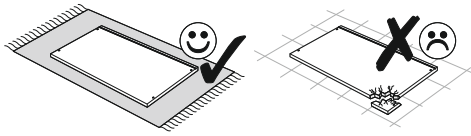
28 ▶



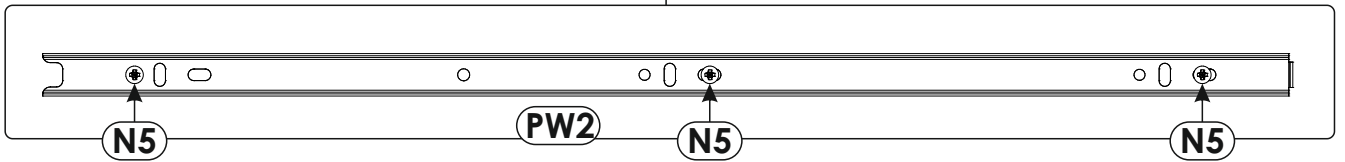
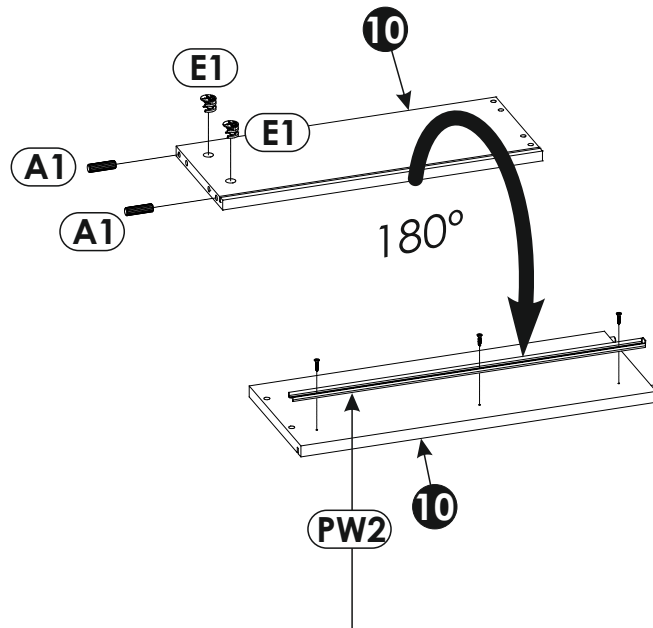
29 ▶



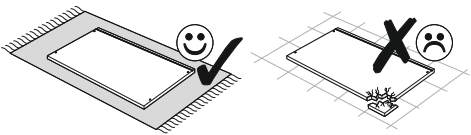
30 ▶



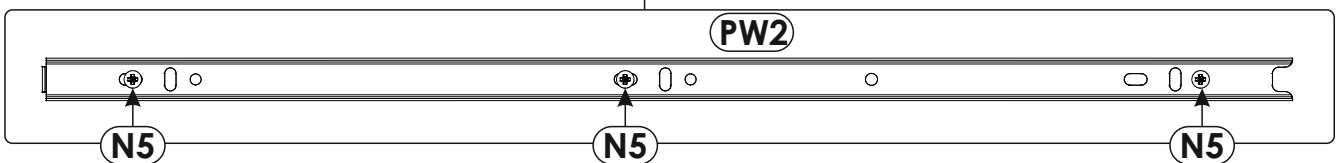
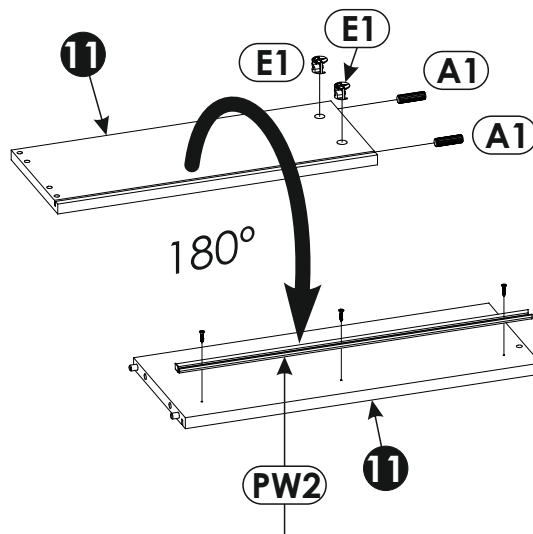
A1 x2 8 x 35 mm	E1 x2 15 x 12 mm	N5 x3 3,5 x 16 mm
		PW2 x1 L - 500mm



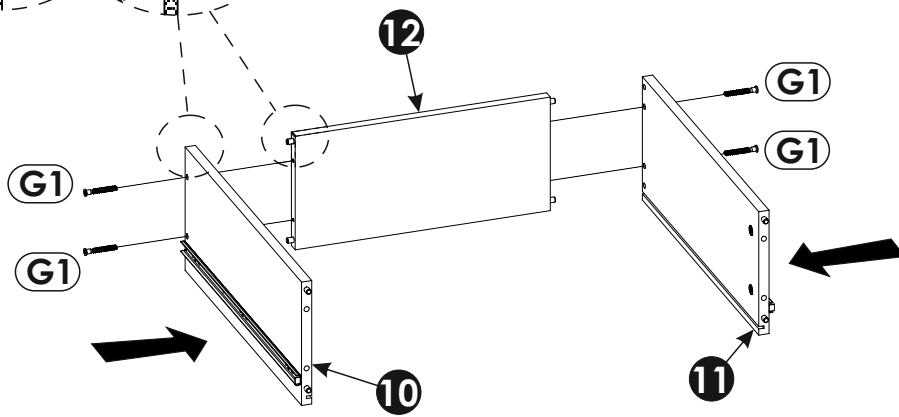
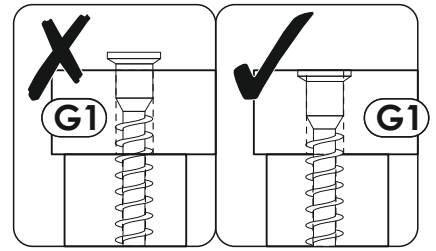
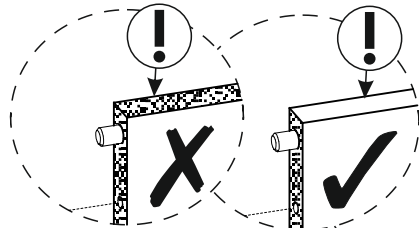
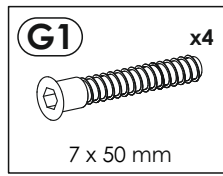
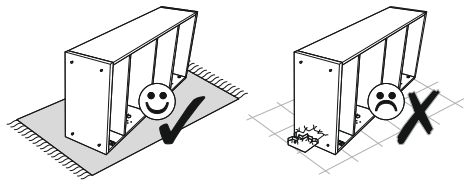
31 ▶



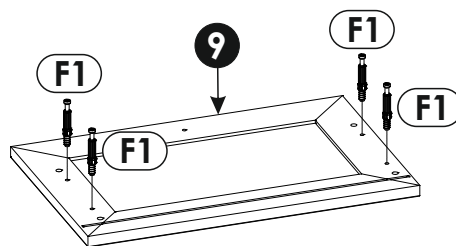
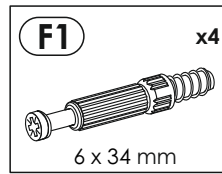
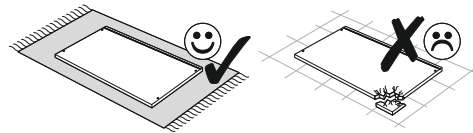
A1 x2 8 x 35 mm	E1 x2 15 x 12 mm	N5 x3 3,5 x 16 mm
		PW2 x1 L - 500mm



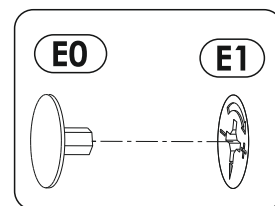
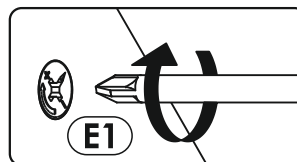
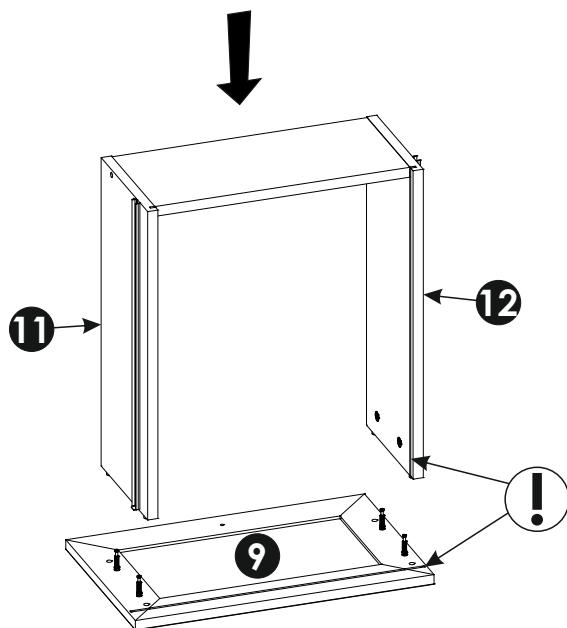
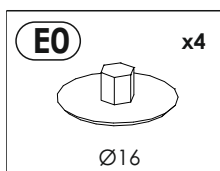
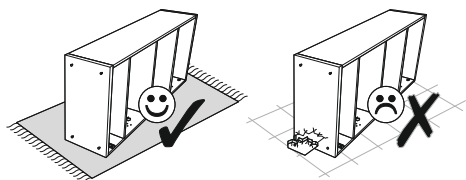
32 ▶



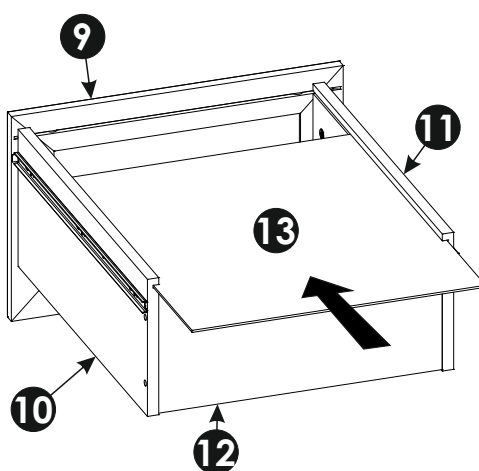
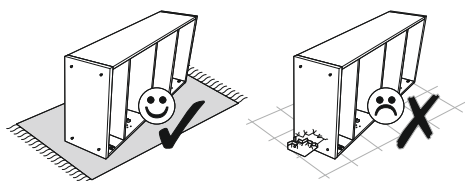
33 ▶



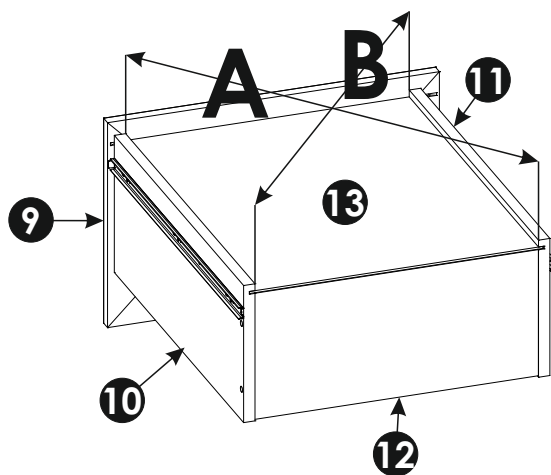
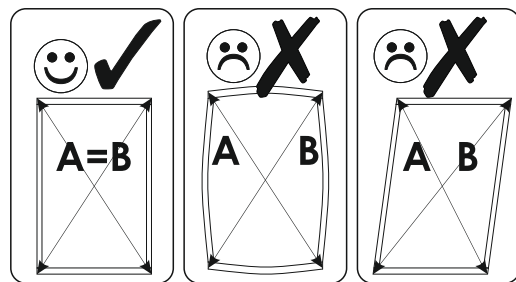
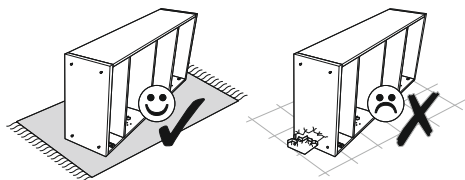
34 ▶



35 ▶

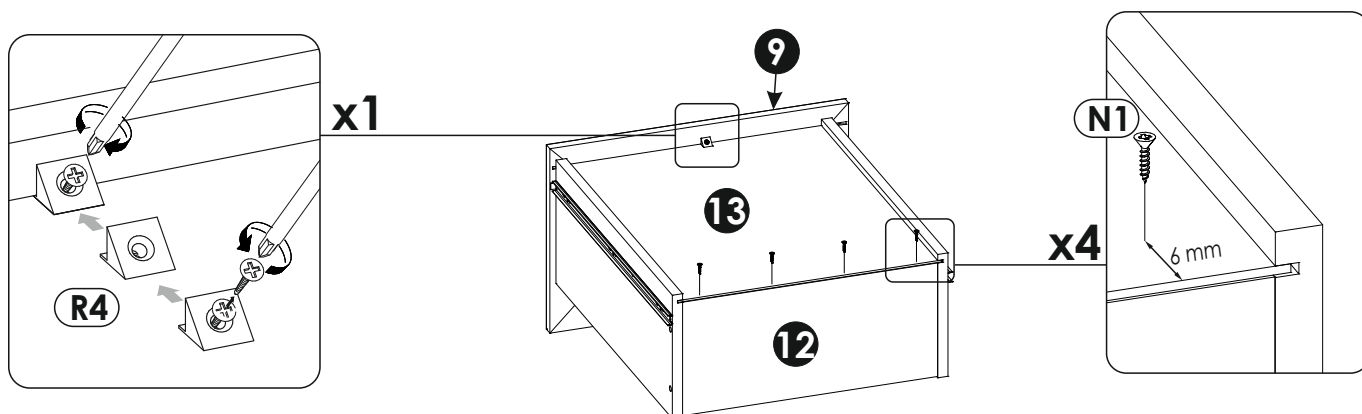
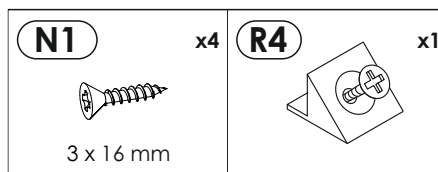
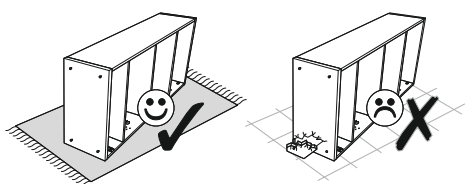


36 ▶

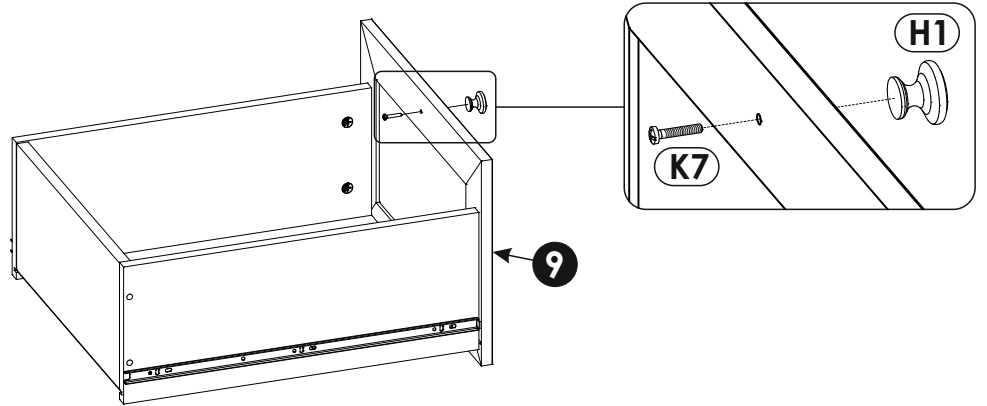
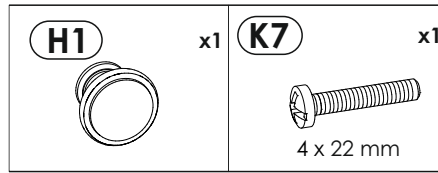
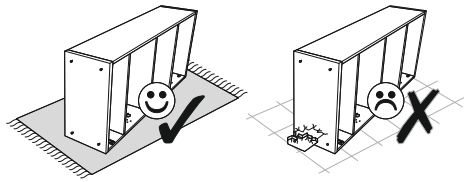


A=B

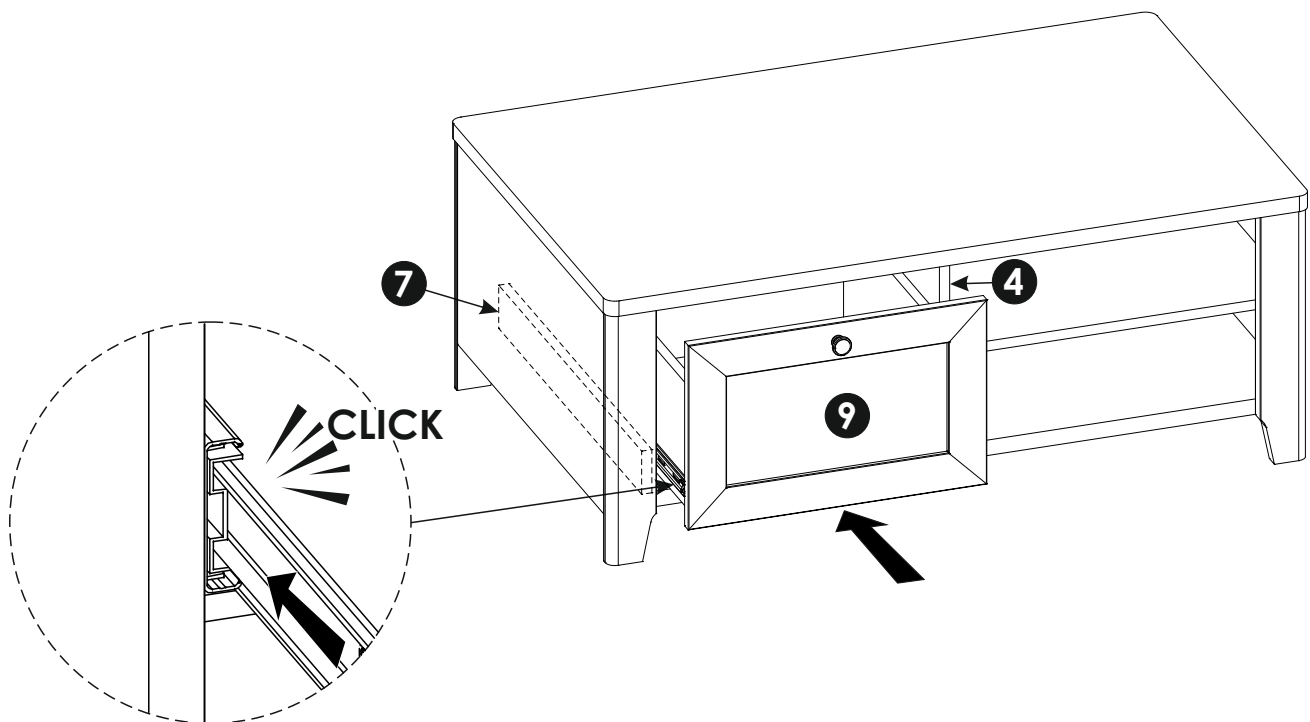
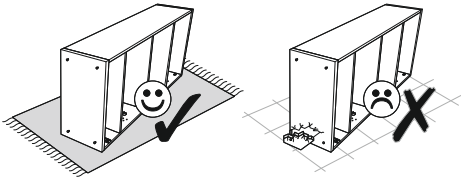
37 ▶



38 ▶



39 ▶



40▶

