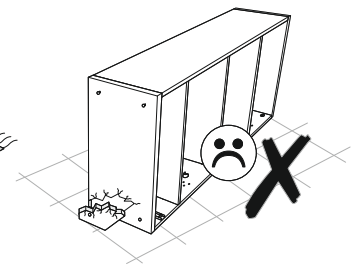
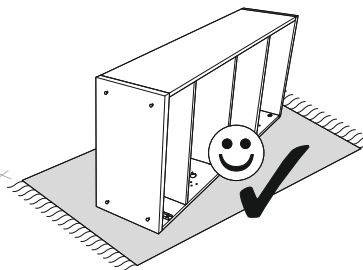
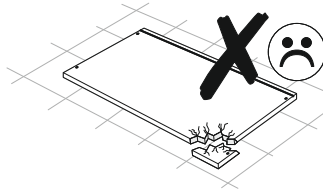
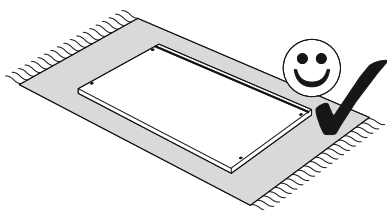
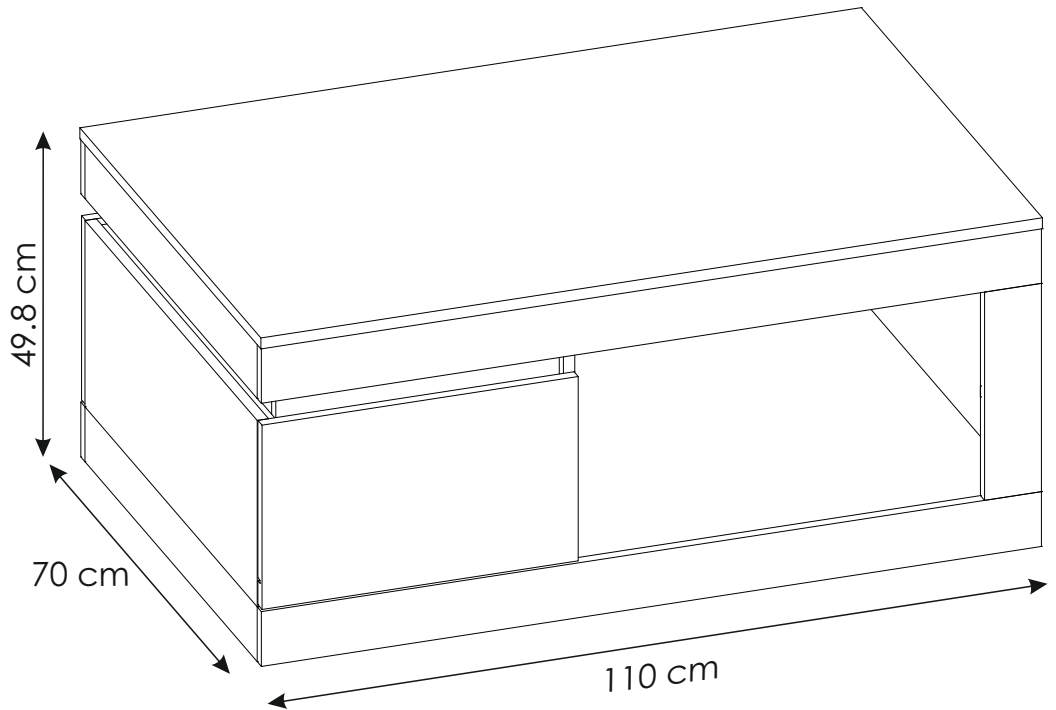
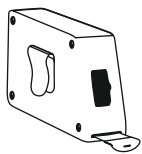
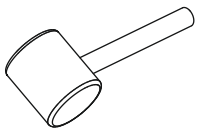
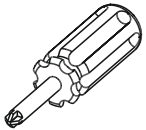
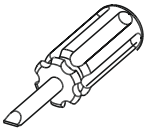
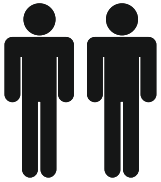
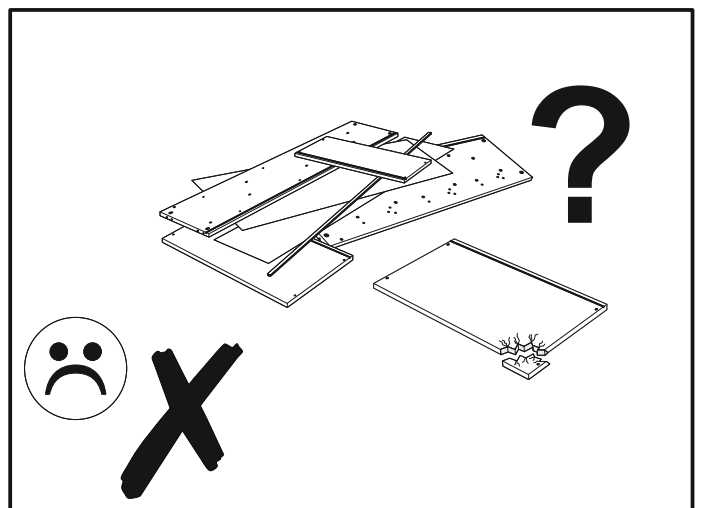
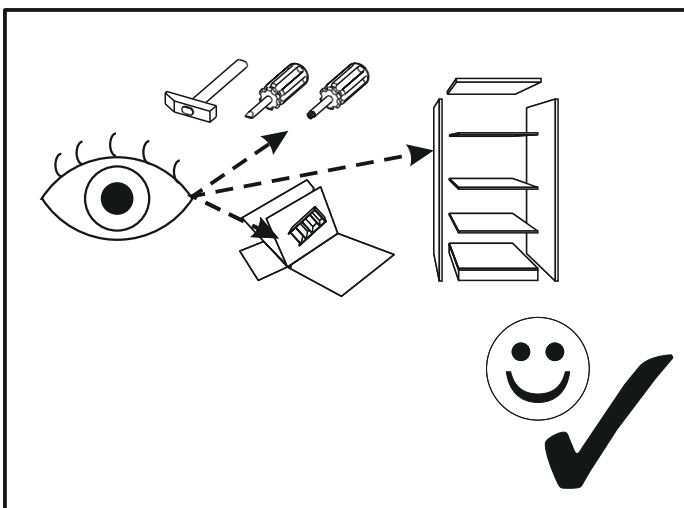
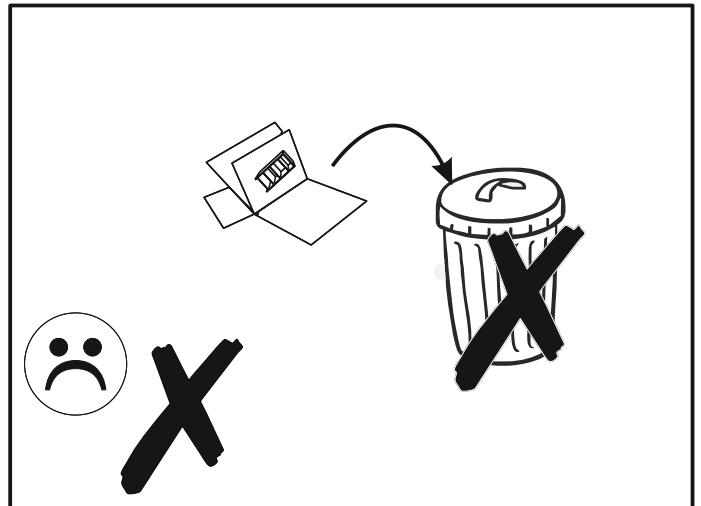
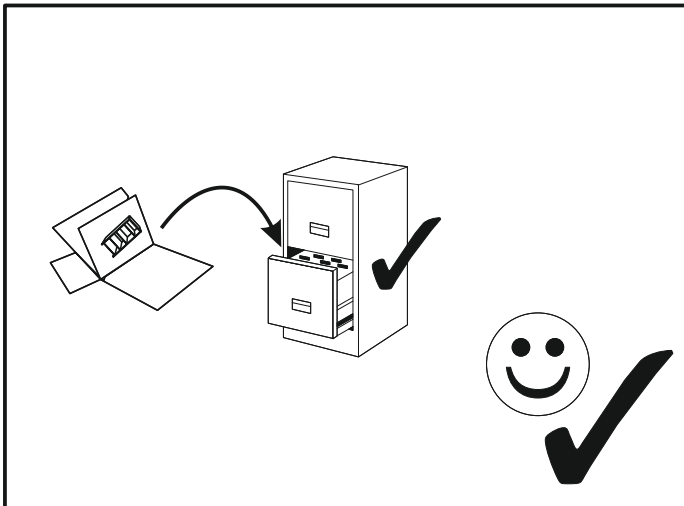
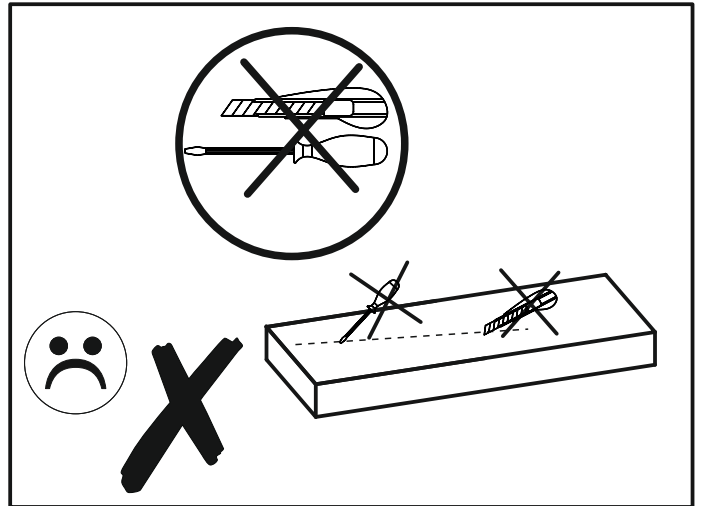
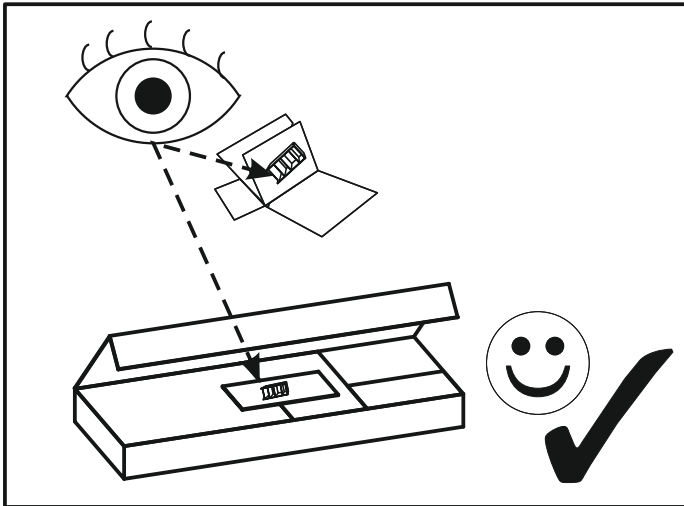


LCCT01

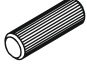




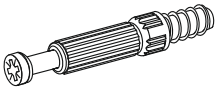
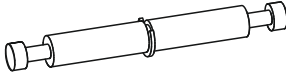
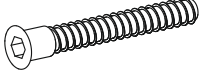

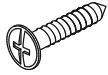
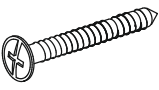
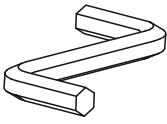
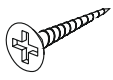
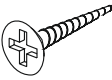
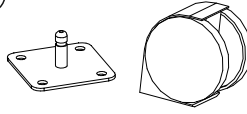
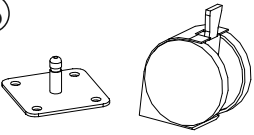

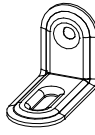
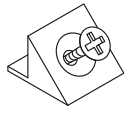
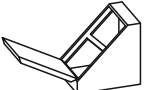


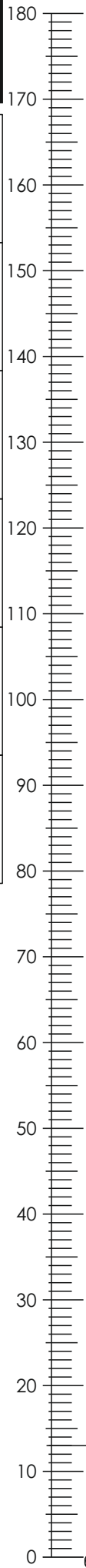
60 MIN





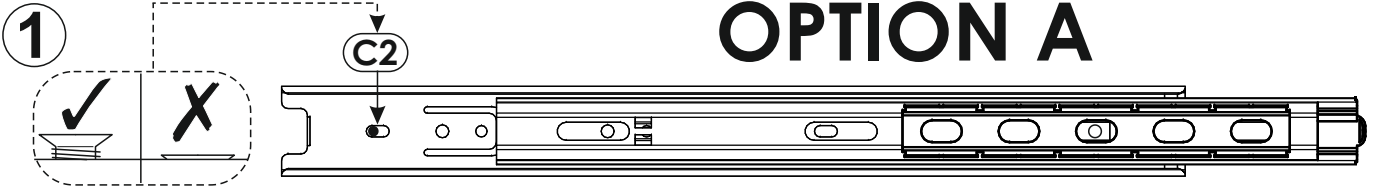
LCCT01

A1 8 x 35 mm x52 	A5 8 x 20 mm x8 	C2 5 x 13 mm x4 
E0  x20	E1 15 x 12,5 mm x50 	F1 6 x 34 mm x42 
F3 7 x 58 mm x4 	G1 7 x 50 mm x12 	I2 4 x 16 mm x16 
I4 4 x 27 mm x6 	I14 4 x 40 mm x12 	M  x1
N1 3 X 16 mm x5 	N2 3,5 X 16 mm x14 	O14  x2
O16  x2	PW L-400 x2 	Q8  x2
R4  x1	W  x2	

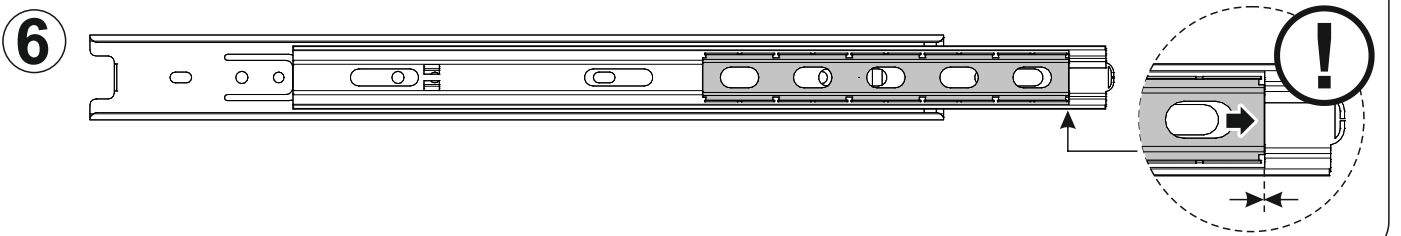
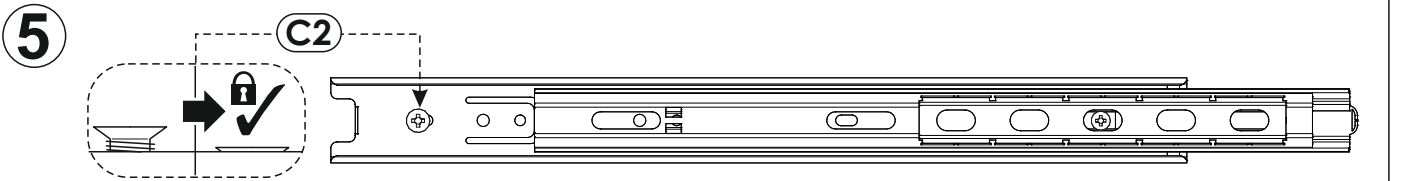
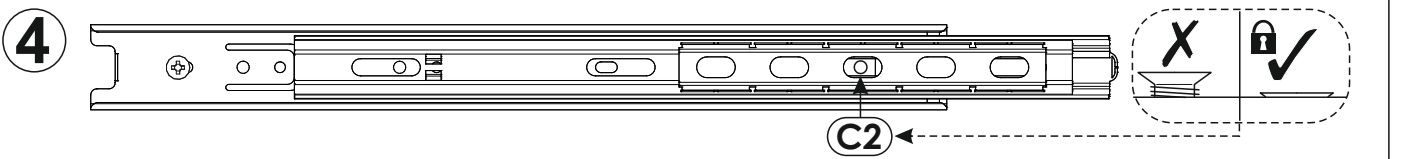
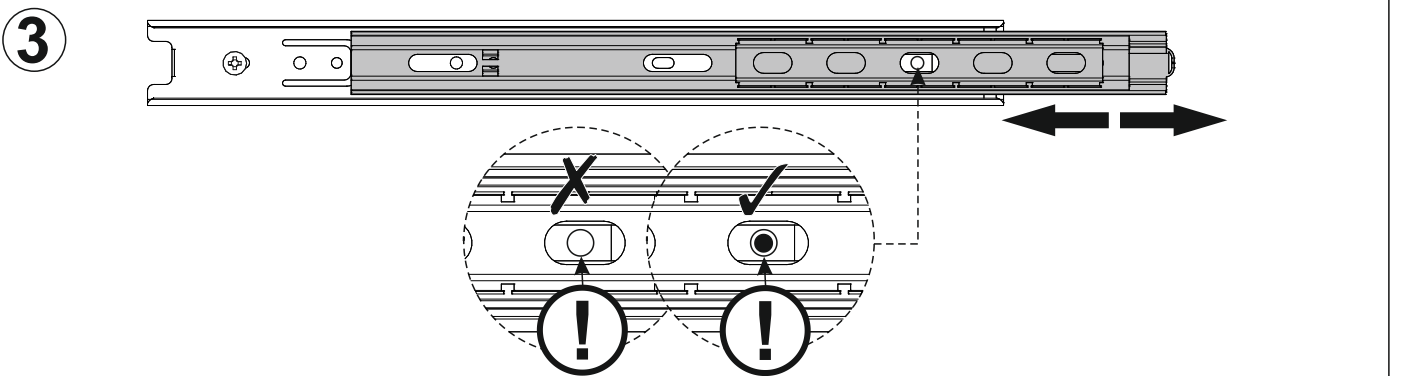
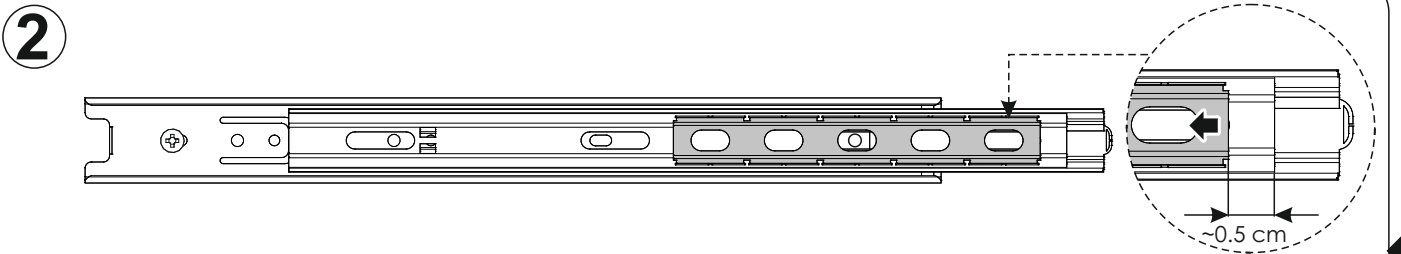
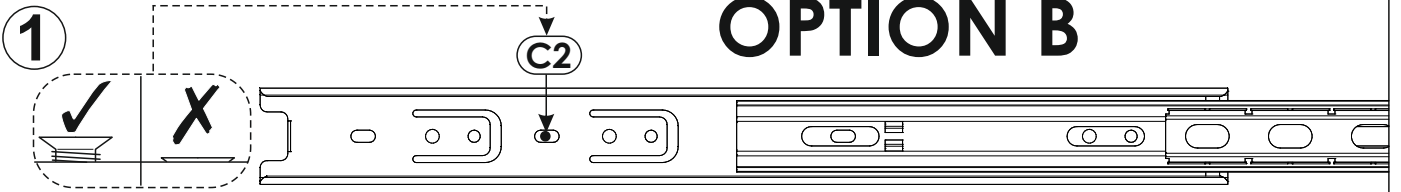


LCCT01

OPTION A

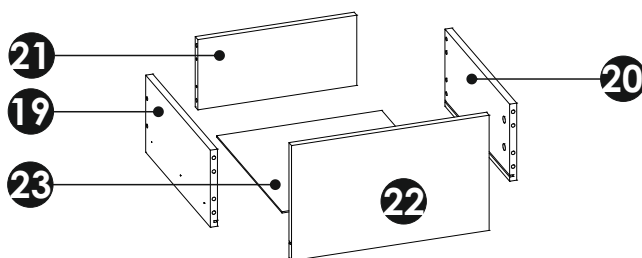
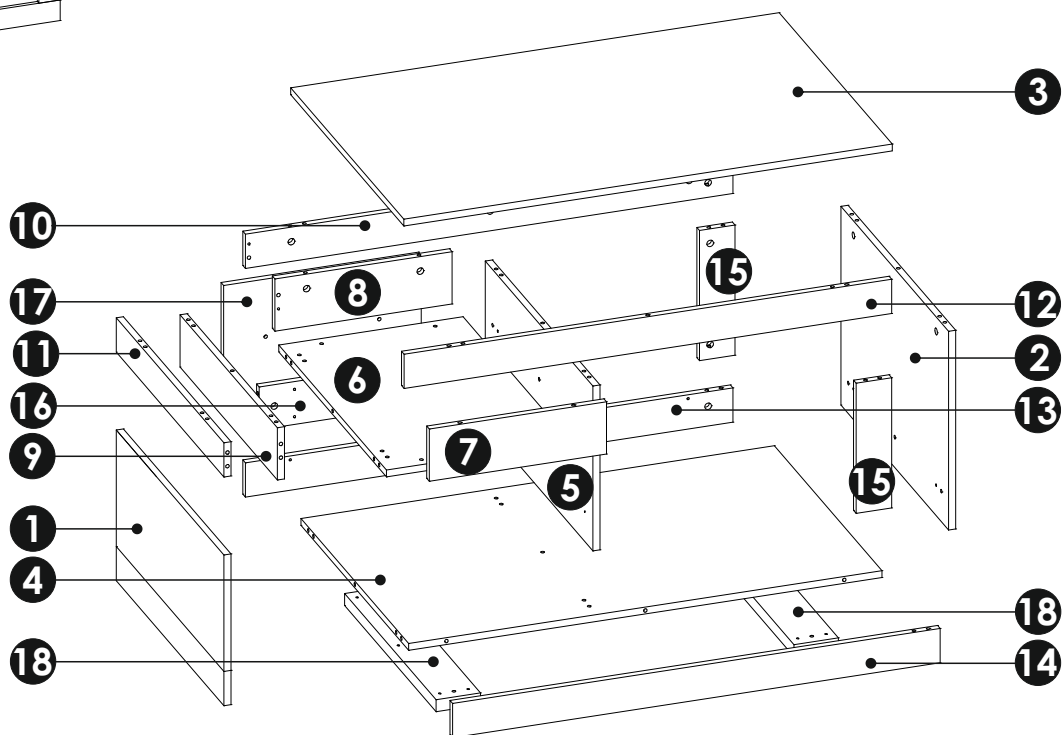
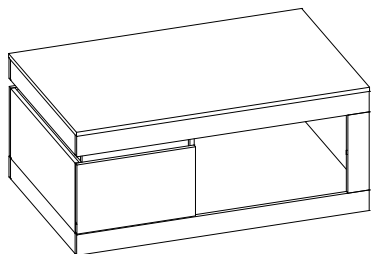


OPTION B



FRONT

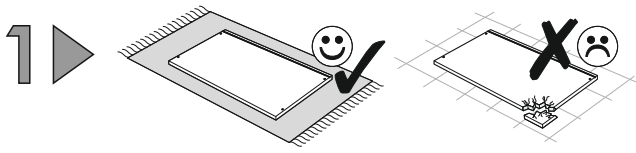
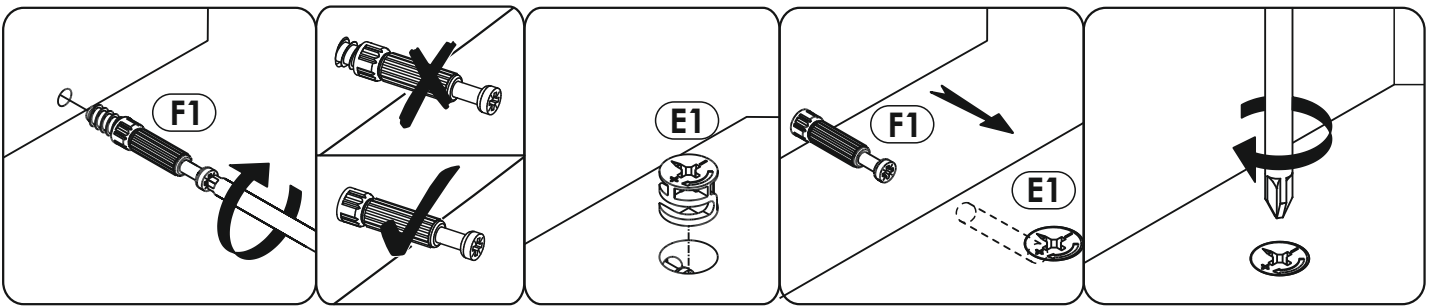
LCCT01



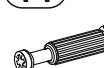


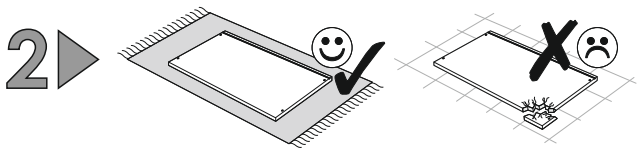
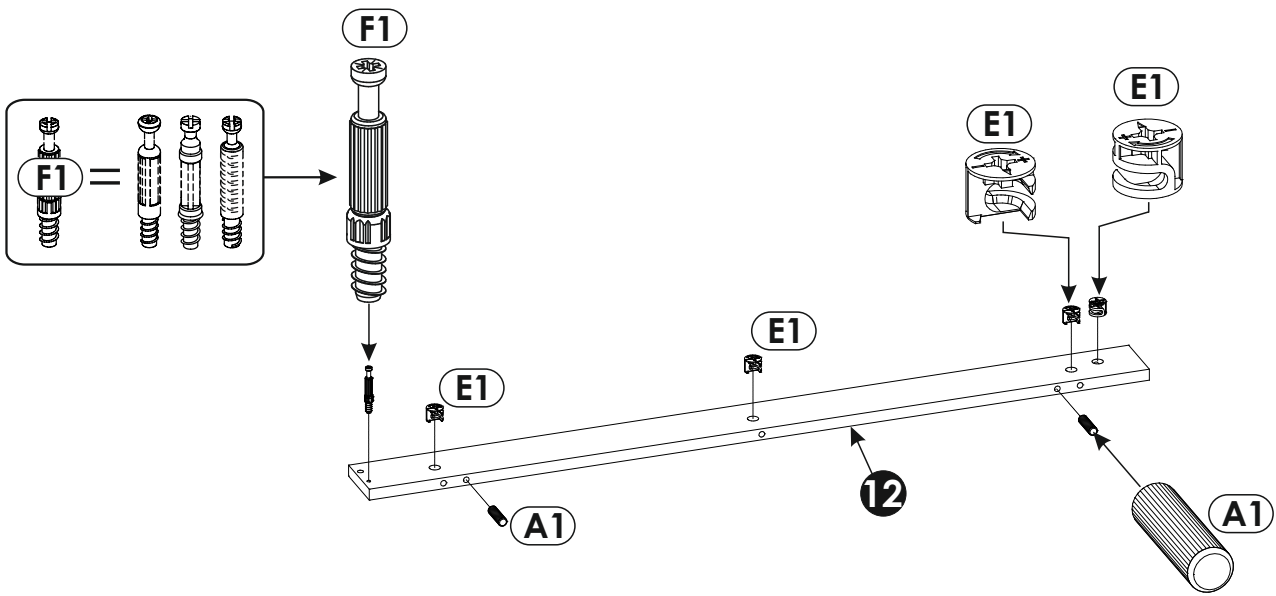
1	666	352	16	x1	1/2
2	666	464	16	x1	1/2
3	1100	700	16	x1	2/2
4	1066	666	16	x1	2/2
5	666	385	16	x1	1/2
6	415	666	16	x1	1/2
7	399	122	16	x1	1/2
8	399	122	16	x1	1/2

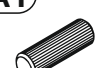

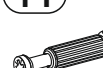
9	602	122	16	x1	2/2
10	1098	80	16	x1	2/2
11	666	80	16	x1	1/2
12	1098	80	16	x1	2/2
13	1098	80	16	x1	2/2
14	1098	80	16	x1	2/2
15	304	80	16	x2	1/2
16	415	100	16	x1	2/2

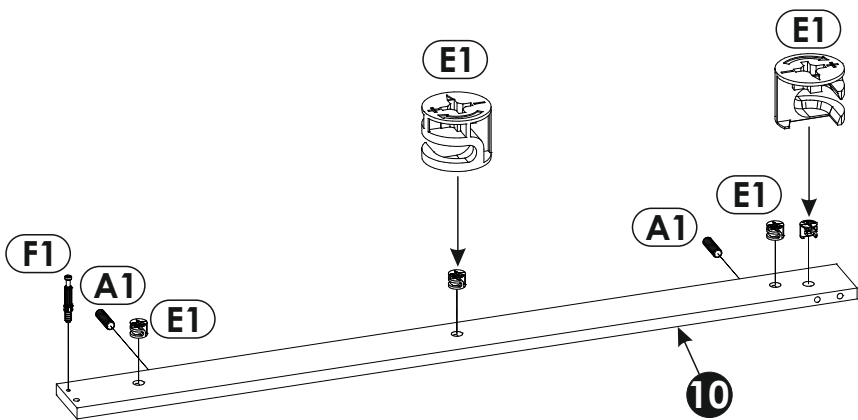
17	445	269	16	x1	1/2
18	566	100	28	x2	1/2
19	400	180	16	x1	1/2
20	400	180	16	x1	1/2
21	358	164	16	x1	2/2
22	445	269	16	x1	1/2
23	372	405	3	x1	2/2



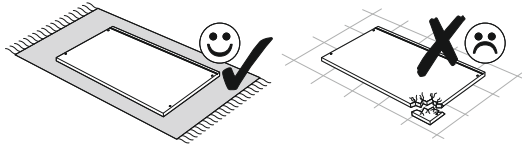
A1 x2	E1 x4	F1 x1
		
8 x 35 mm	15 x 12 mm	6 x 34 mm

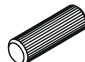



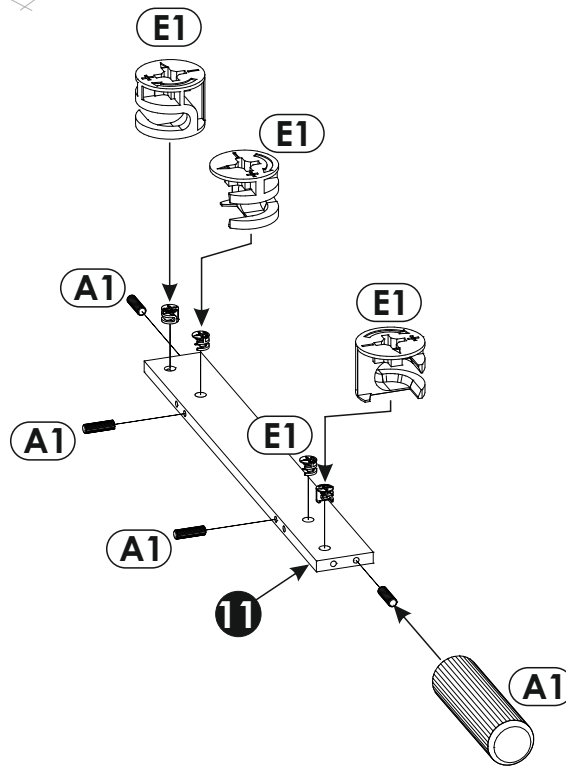
A1 x2	E1 x4	F1 x1
		
8 x 35 mm	15 x 12 mm	6 x 34 mm



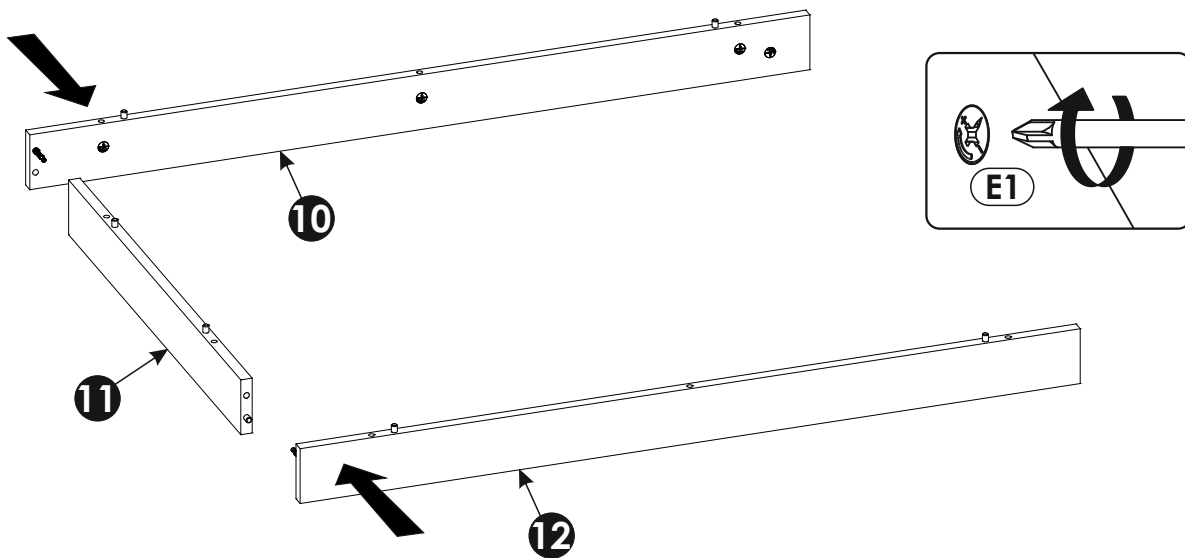
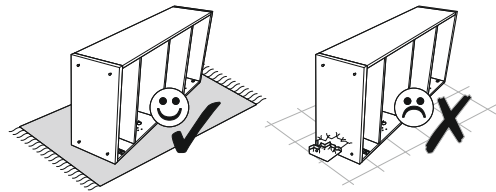
3 ▶



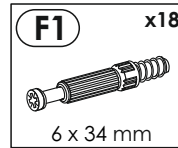
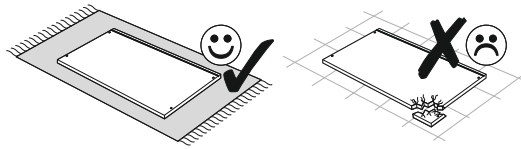
A1	x4	E1	x4
			
8 x 35 mm		15 x 12 mm	



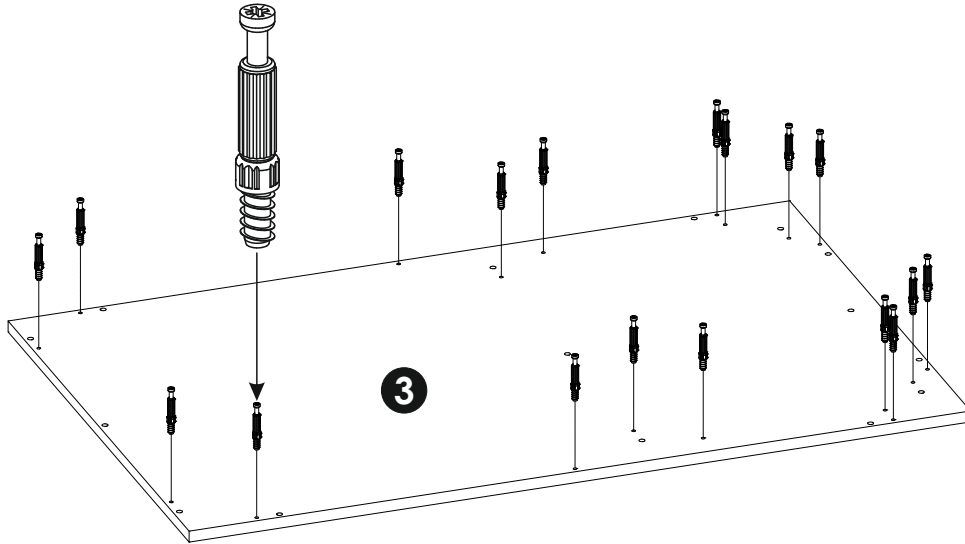
4 ▶



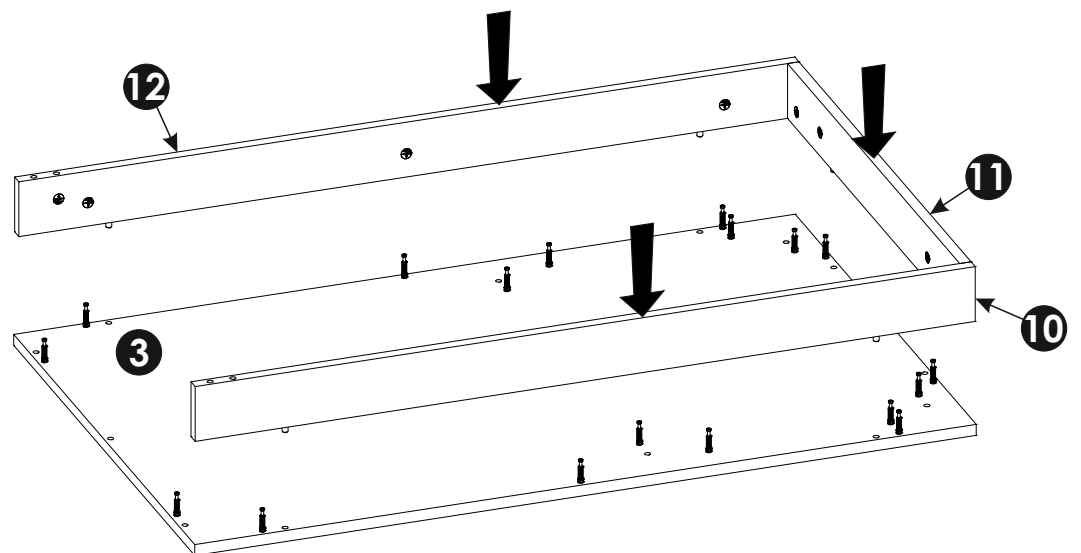
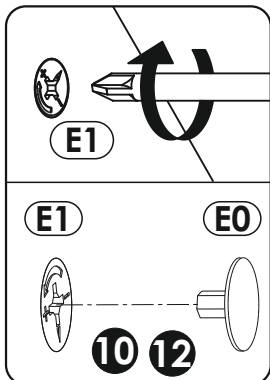
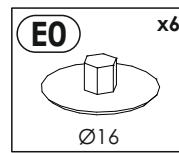
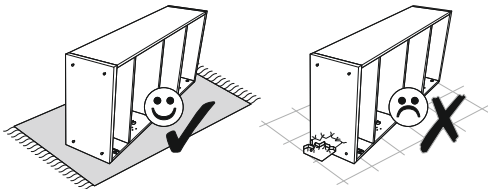
5 ▶



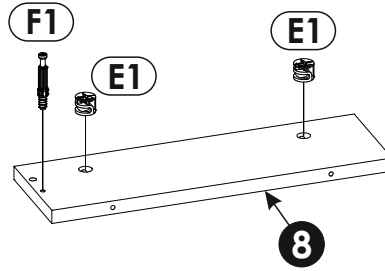
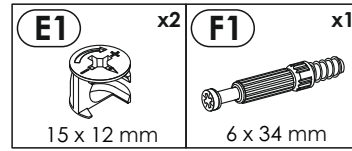
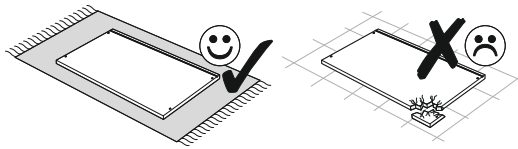
F1 x18



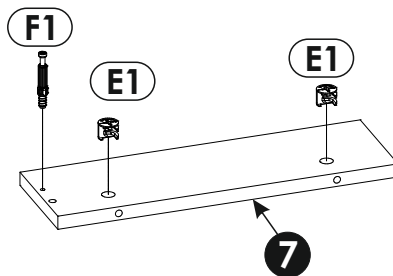
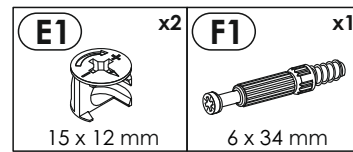
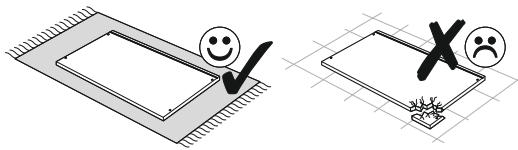
6 ▶

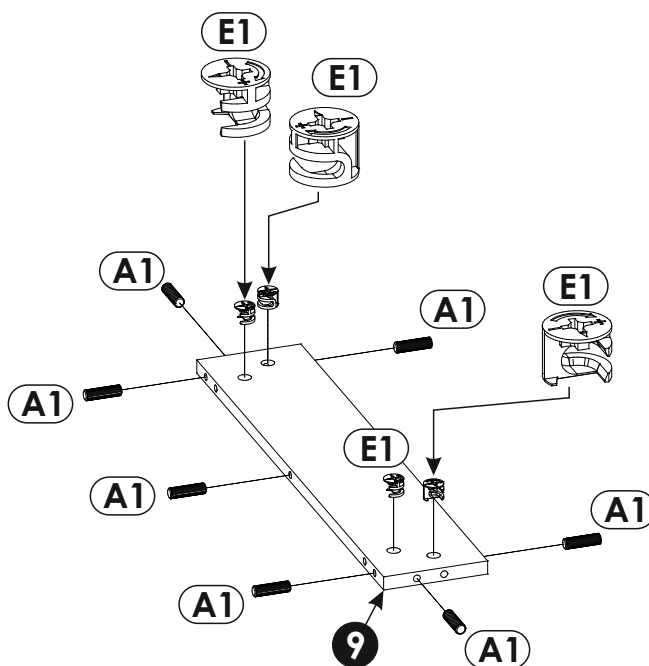
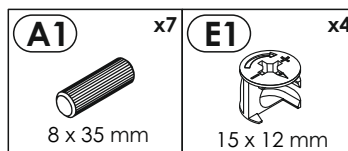
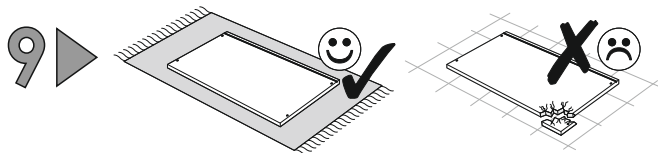


7 ▶

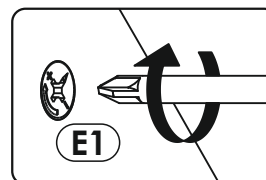
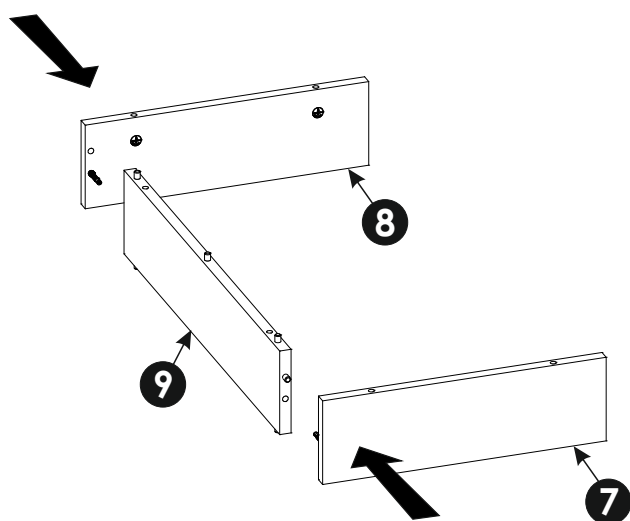
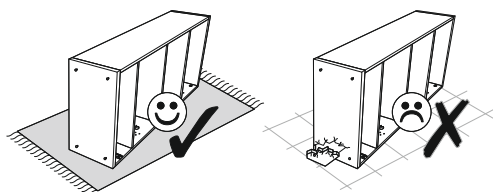


8 ▶

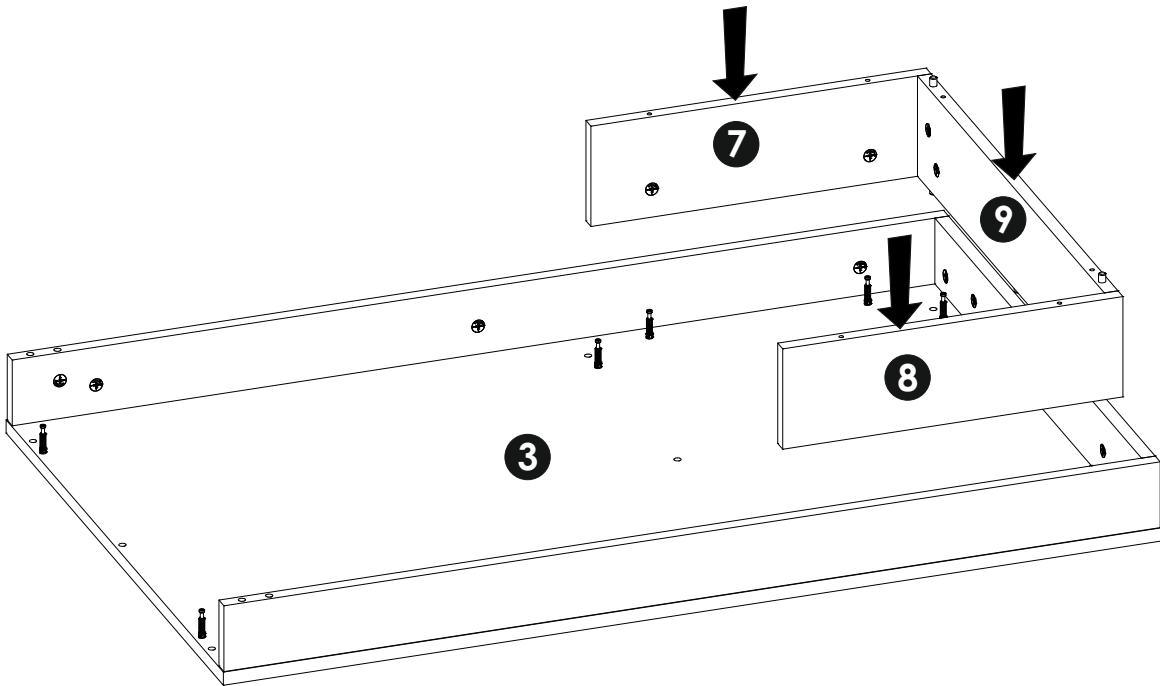
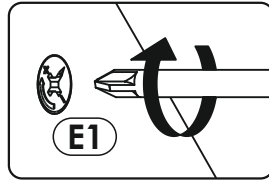
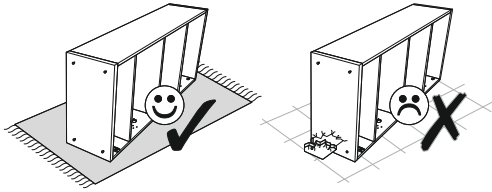


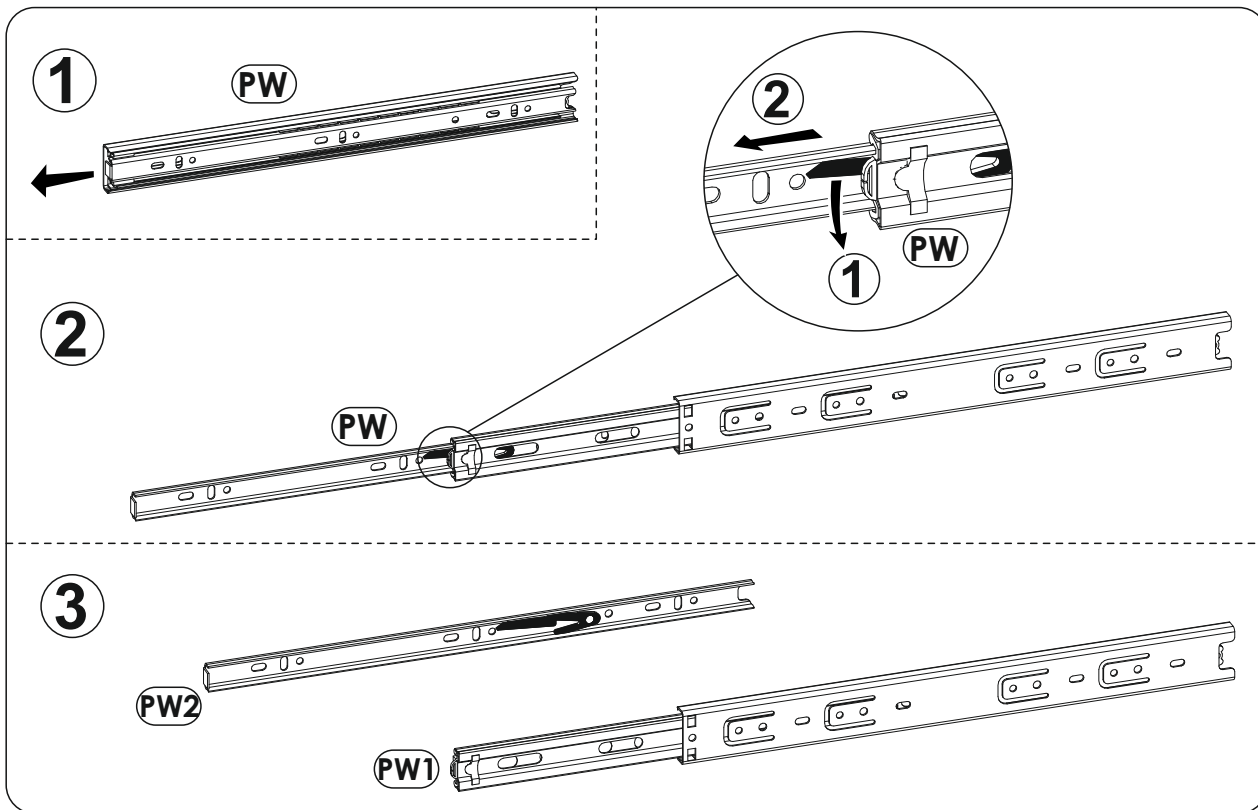


10 ▶

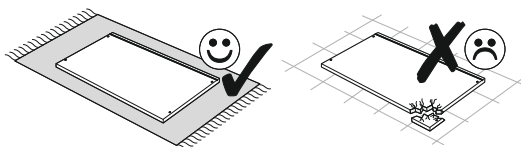


11 ▶

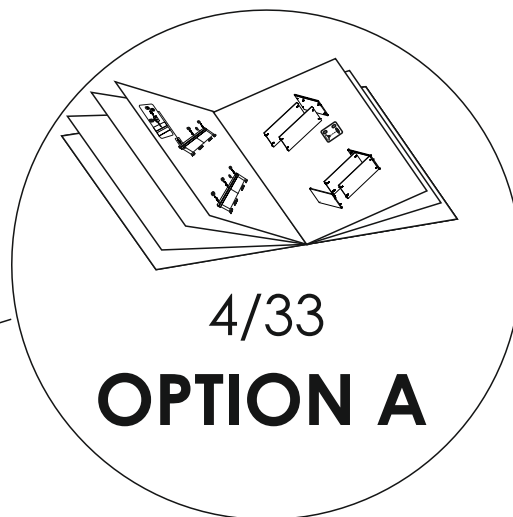
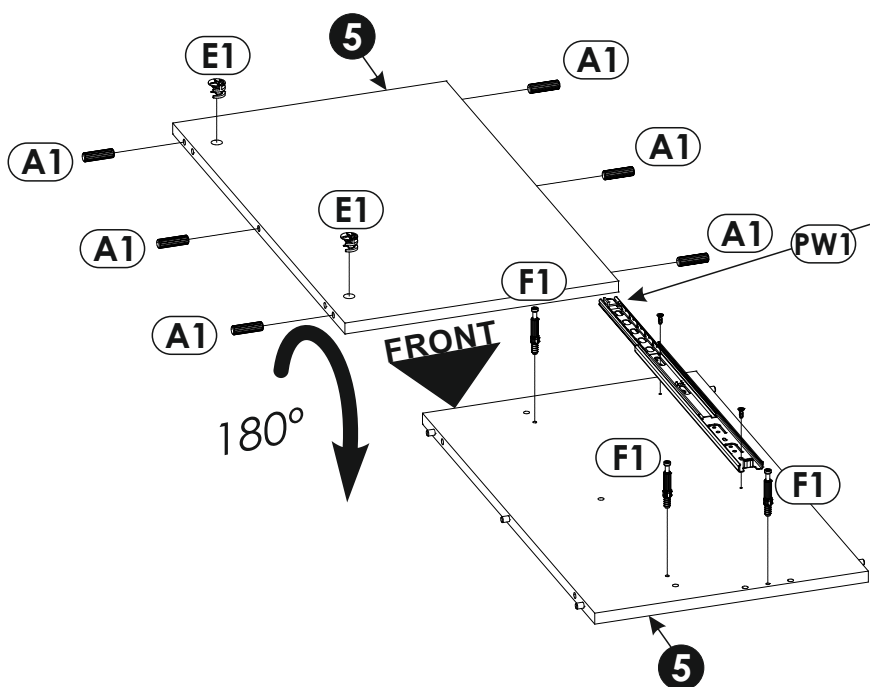




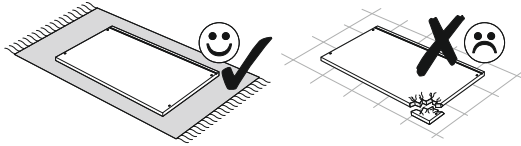
12▶

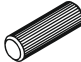



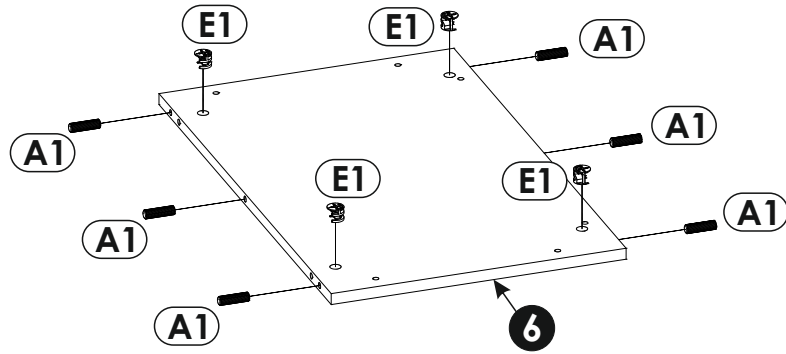
A1 x6 8 x 35 mm	C2 x2 5 x 13 mm	E1 x2 15 x 12 mm	F1 x3 6 x 34 mm
PW1 x1 L - 400 mm			



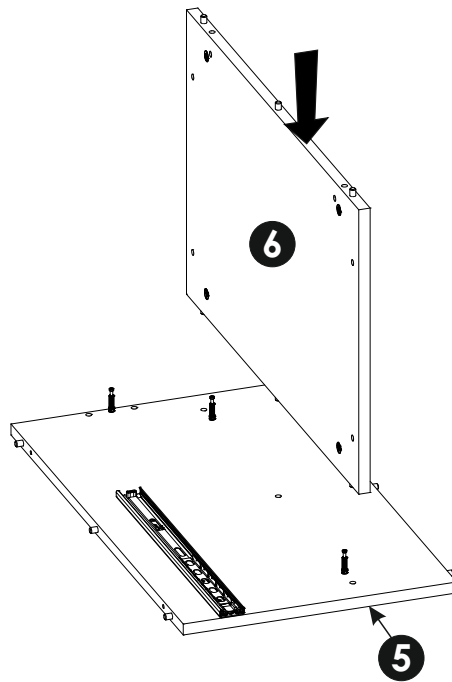
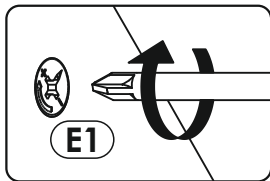
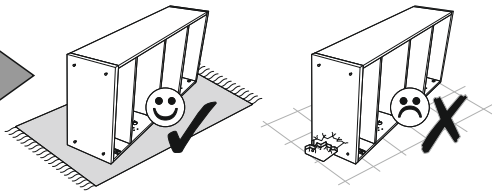
13 ▶



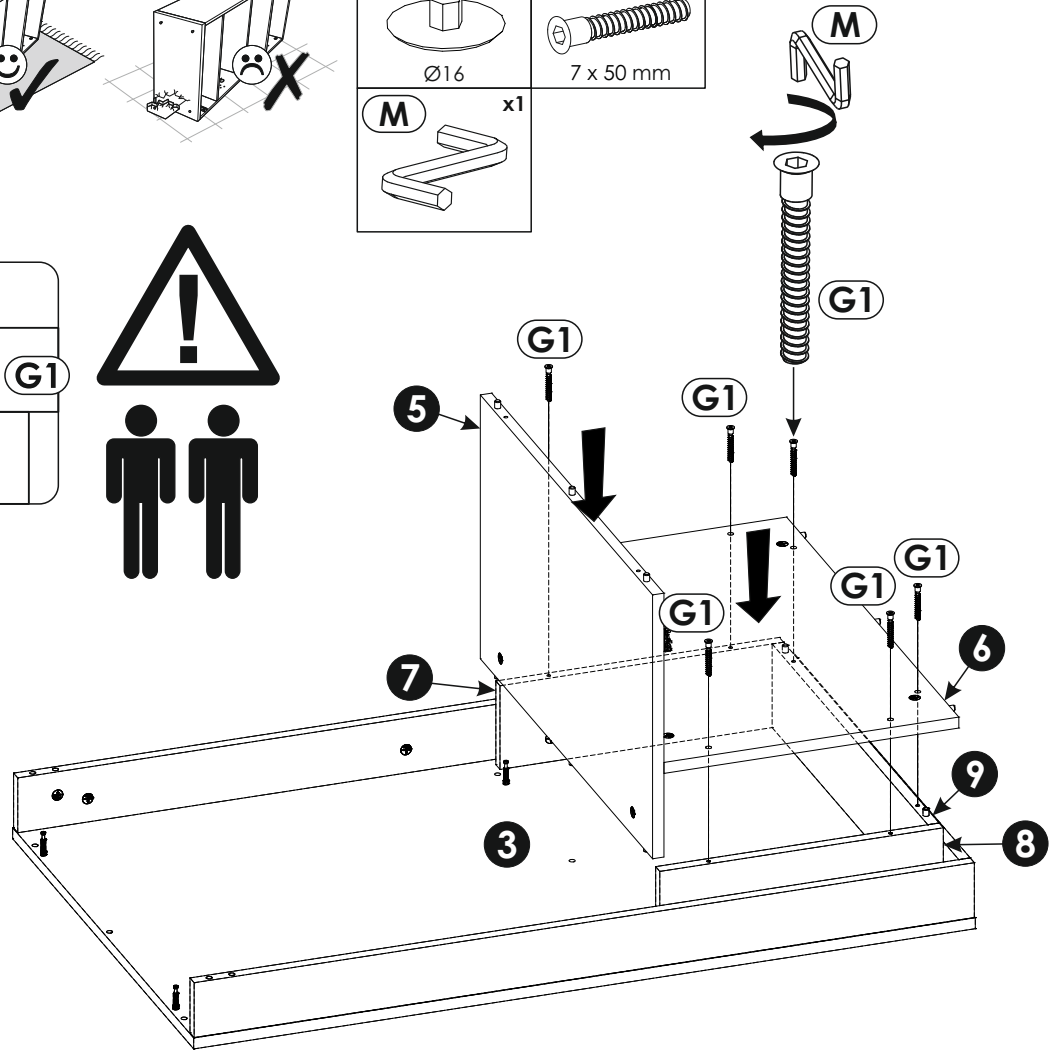
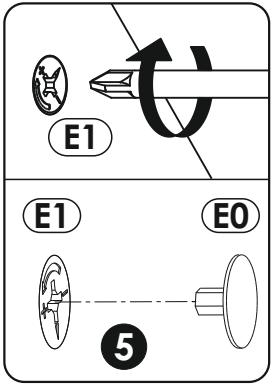
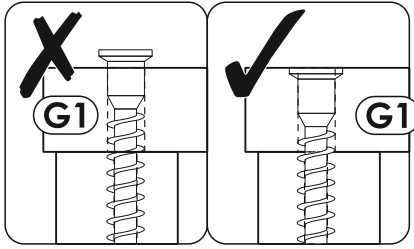
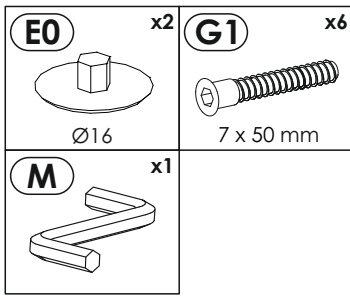
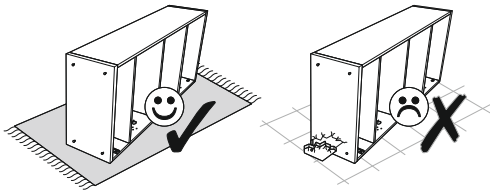
A1	x6	E1	x4
			
8 x 35 mm		15 x 12 mm	



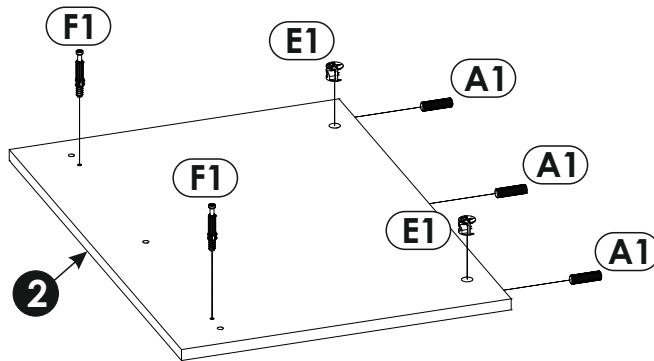
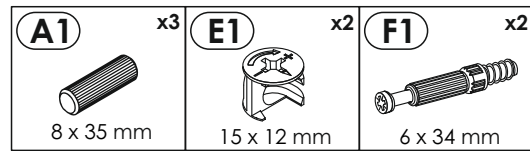
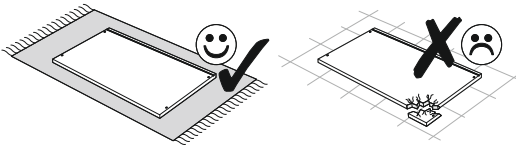
14 ▶



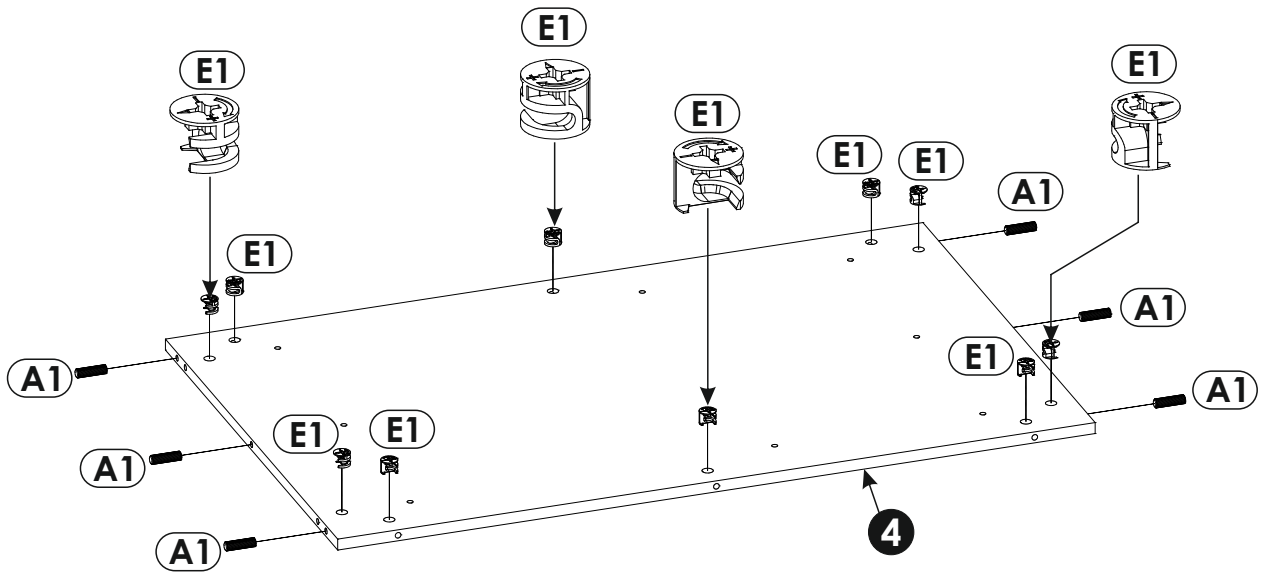
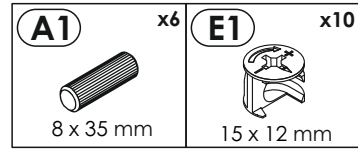
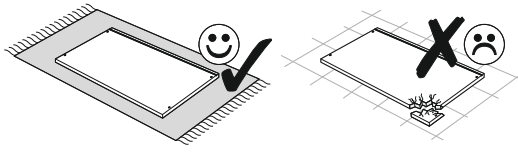
15 ▶



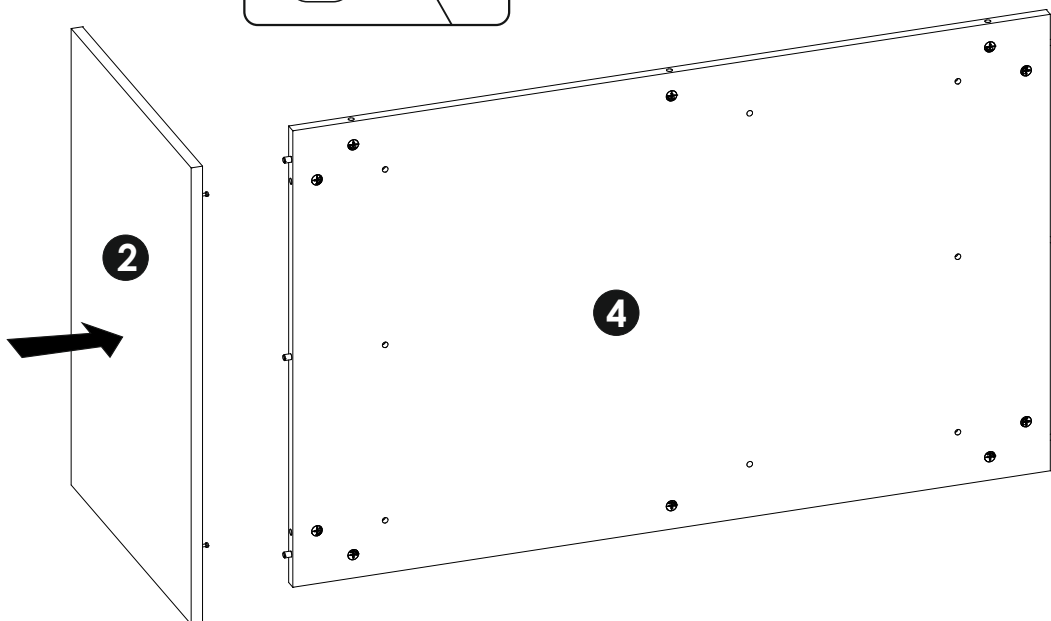
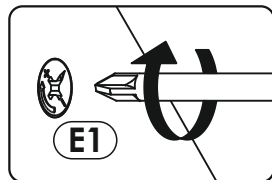
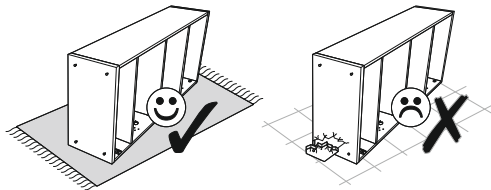
16 ▶



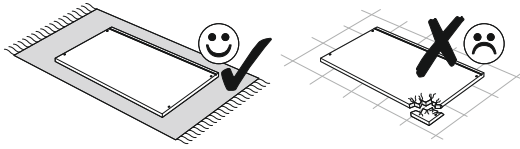
17▶



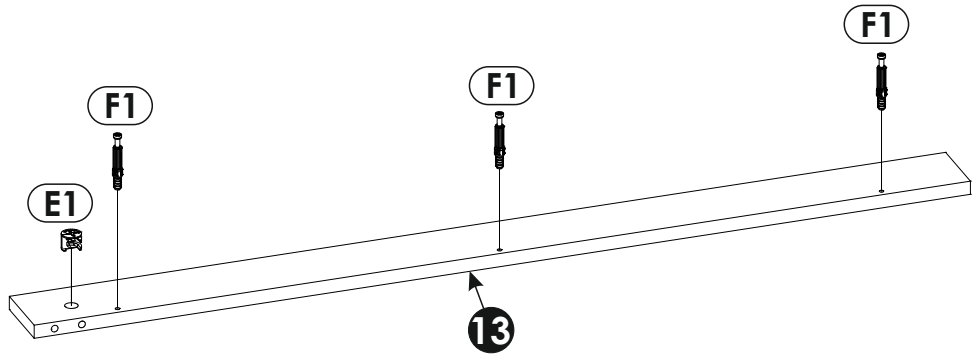
18▶



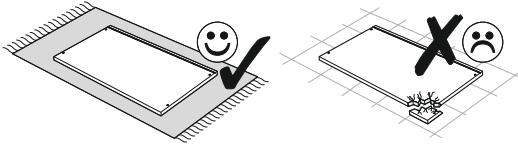
19 ▶



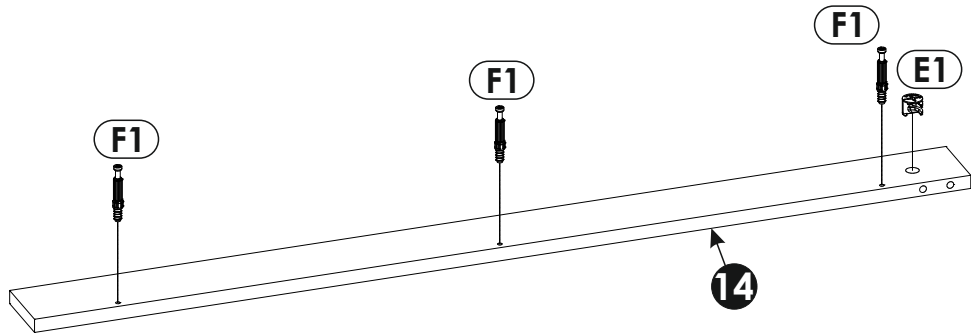
E1	x1	F1	x3
15 x 12 mm		6 x 34 mm	



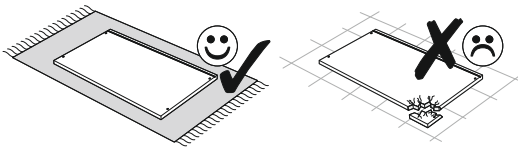
20 ▶



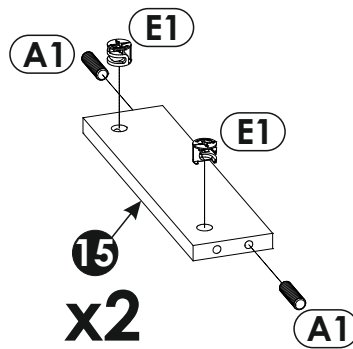
E1	x1	F1	x3
15 x 12 mm		6 x 34 mm	



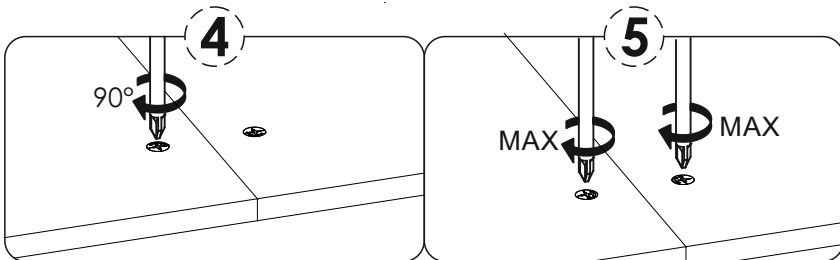
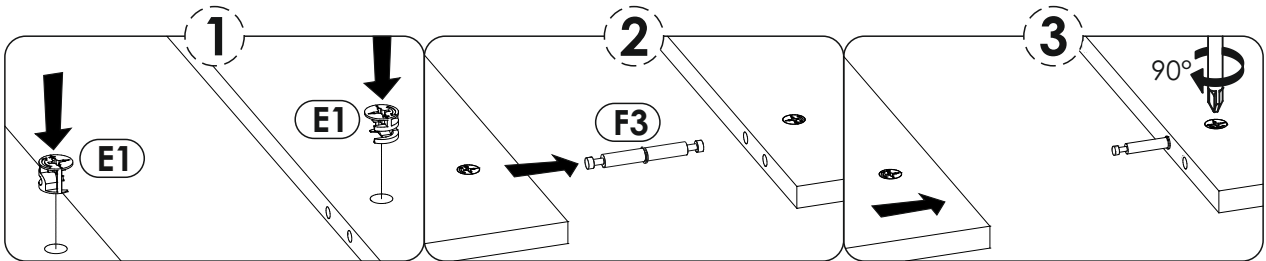
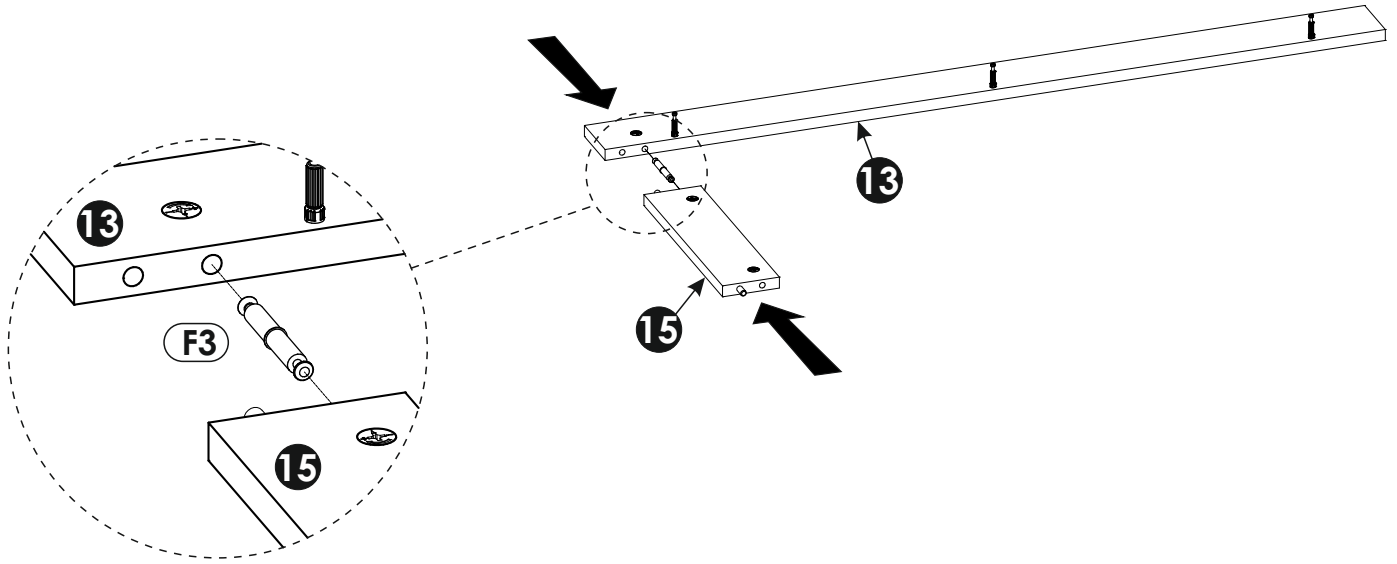
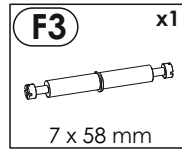
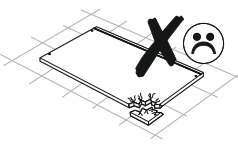
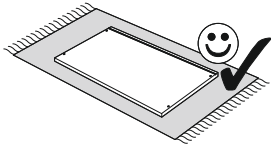
21 ▶



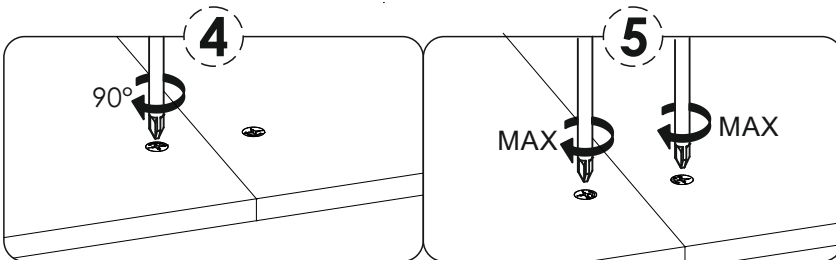
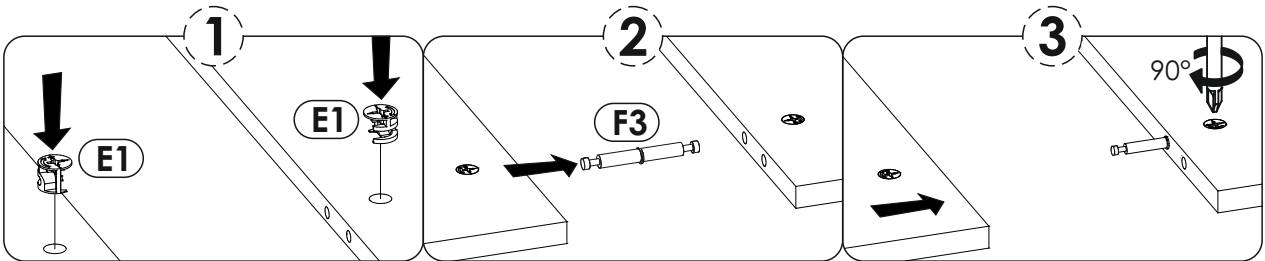
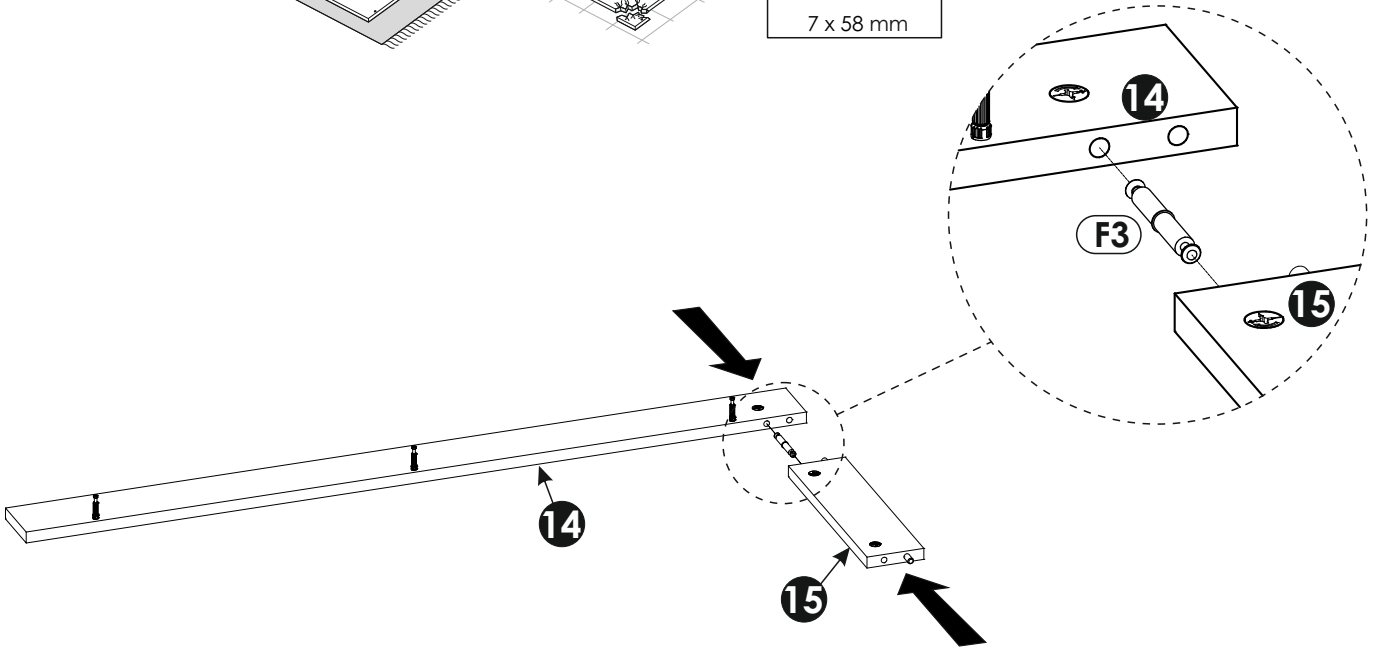
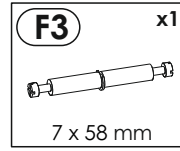
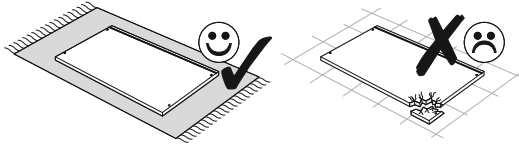
A1	x4	E1	x4
8 x 35 mm		15 x 12 mm	



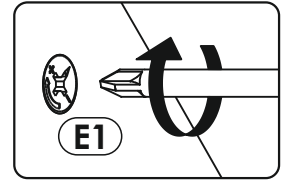
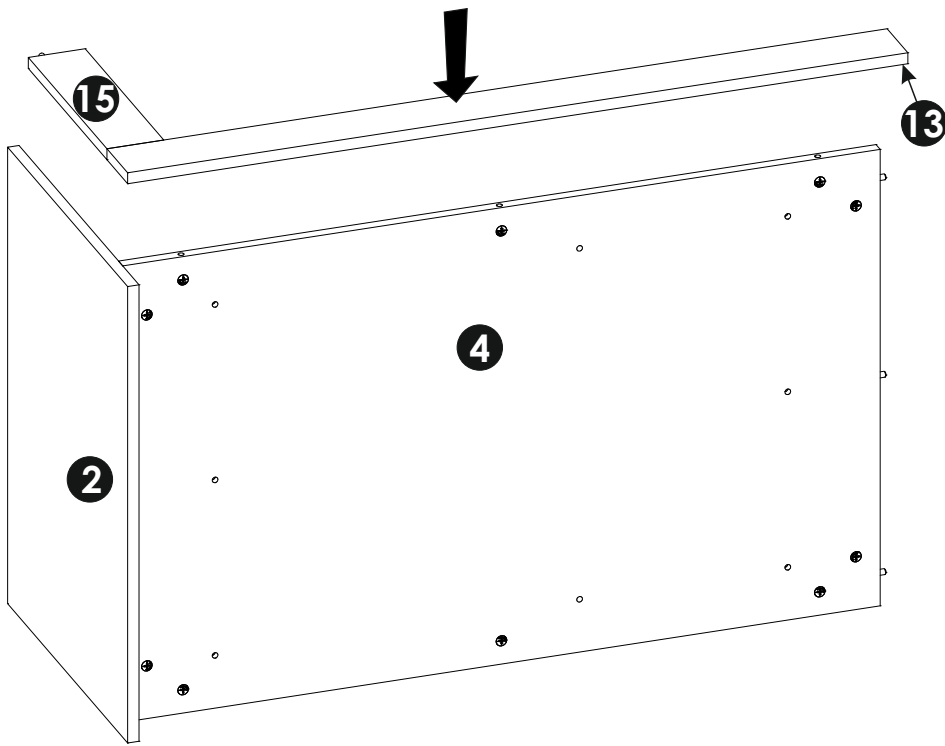
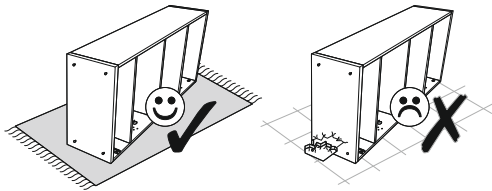
22



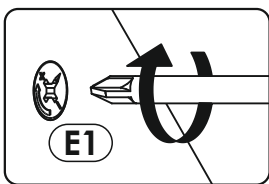
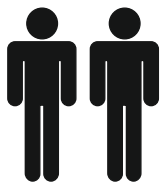
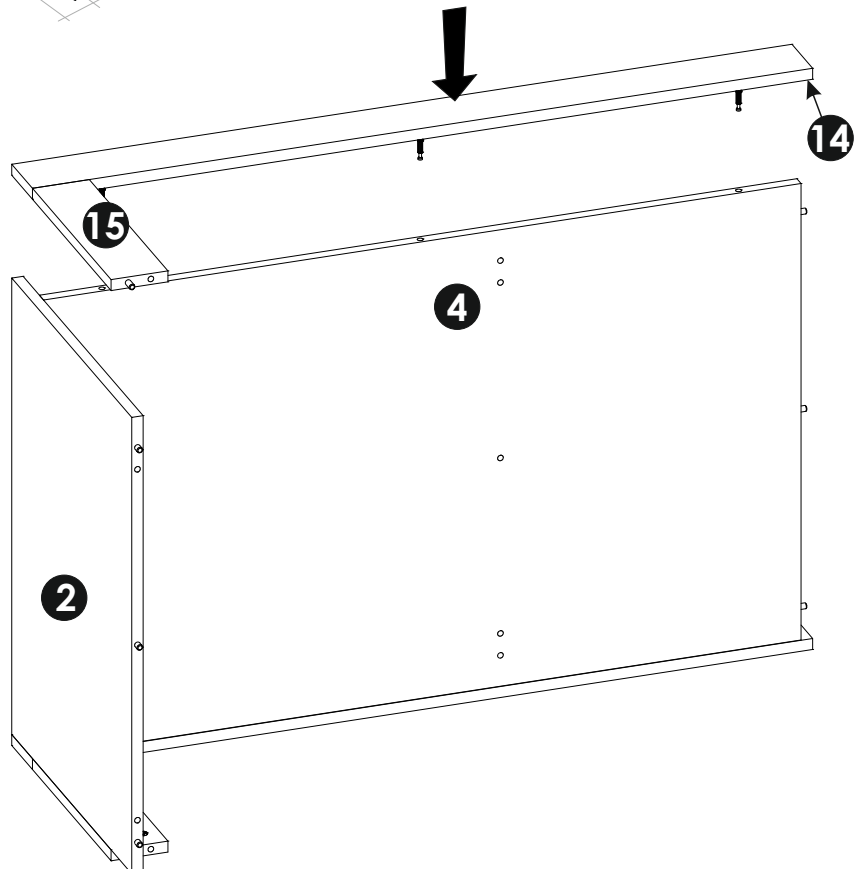
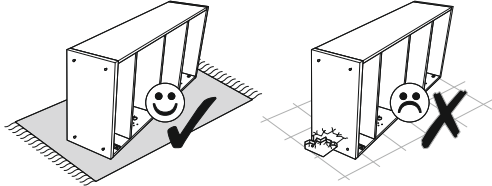
23 ▶



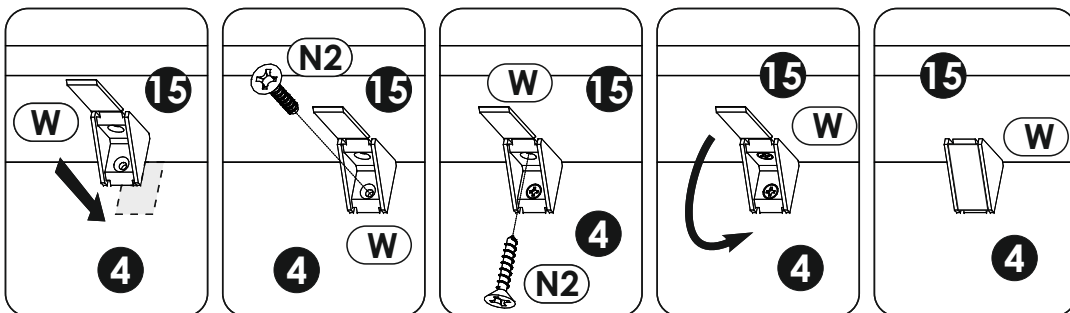
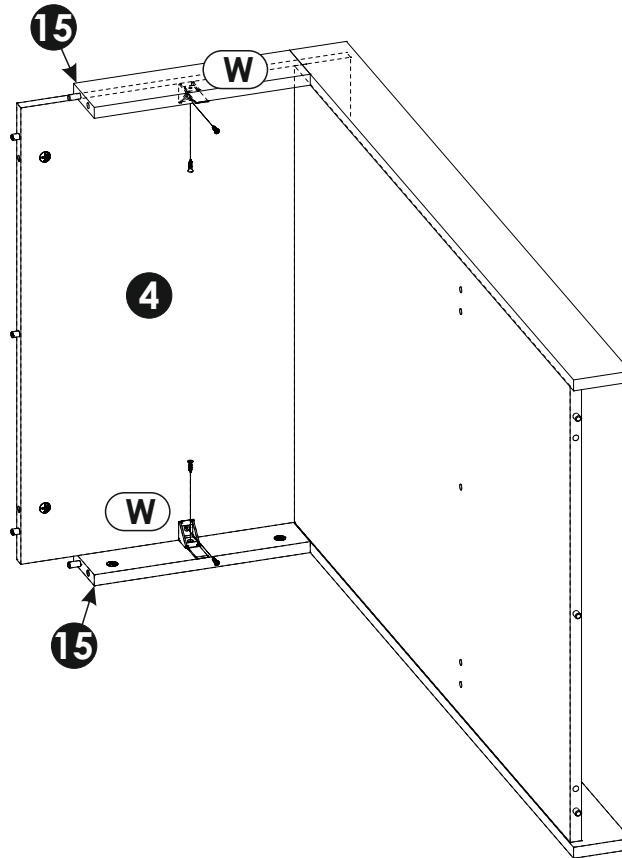
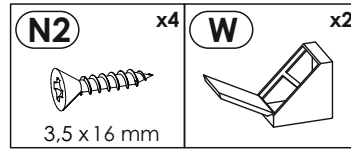
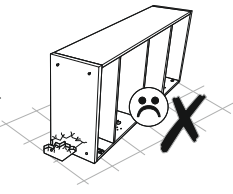
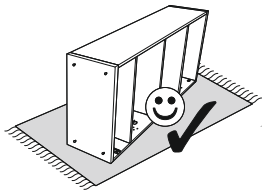
24 ▶



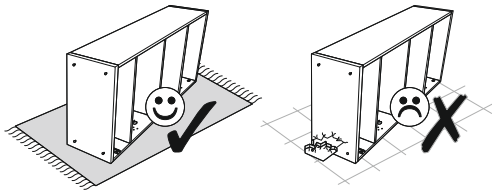
25 ▶

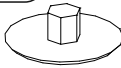
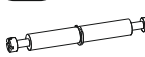
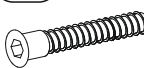


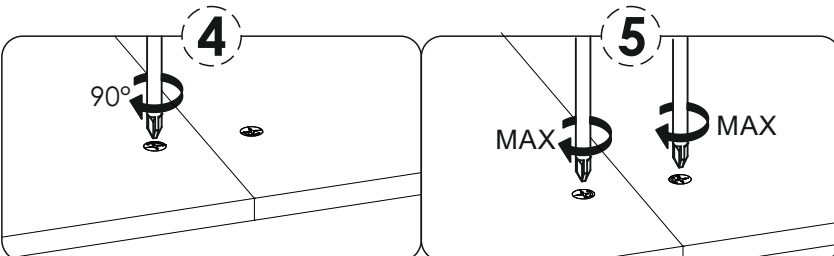
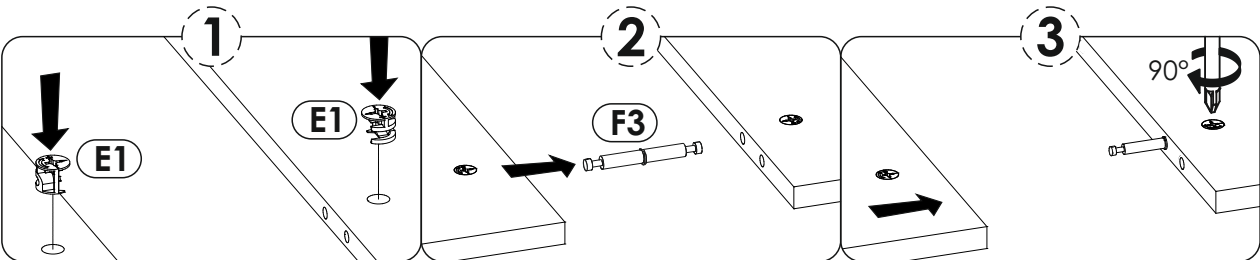
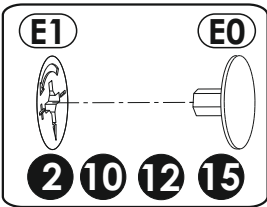
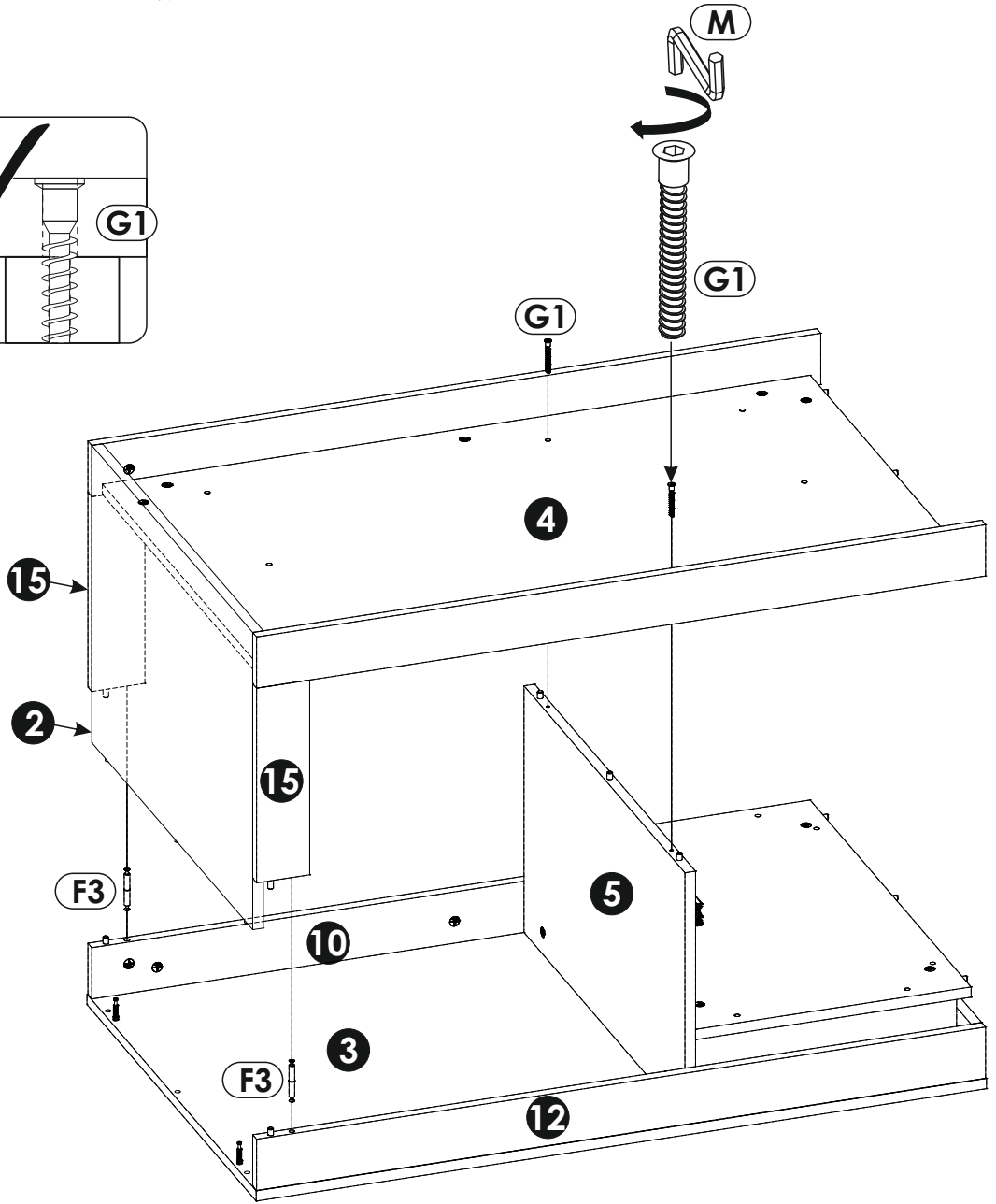
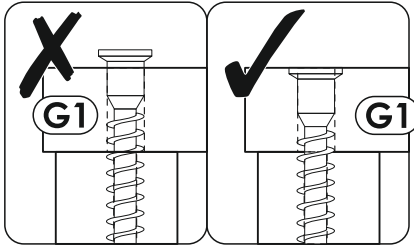
26 ▶



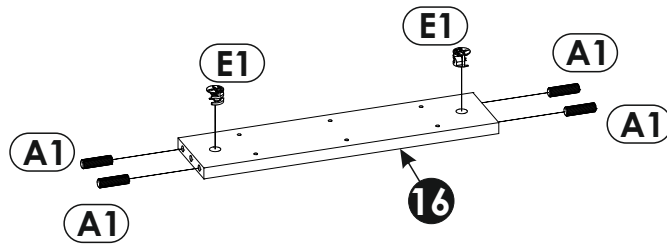
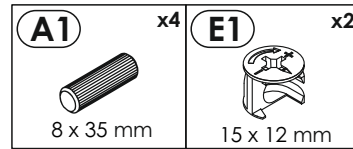
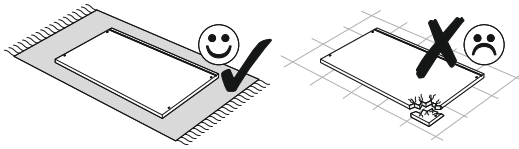
27 ▶



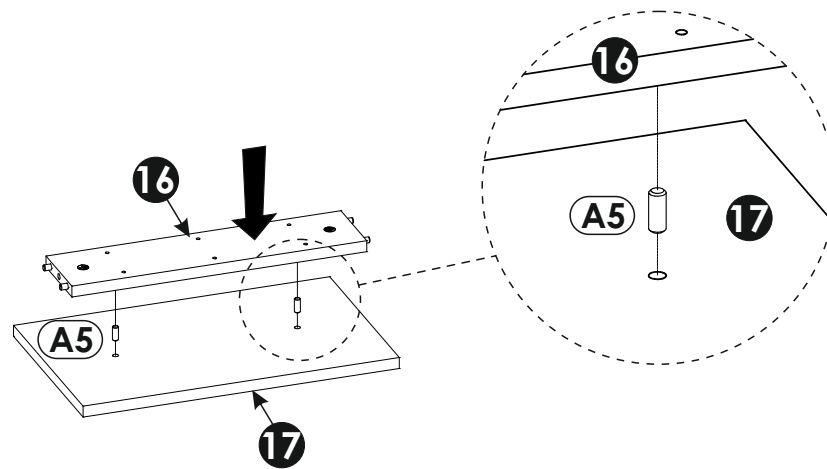
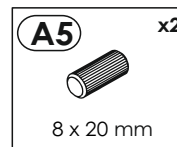
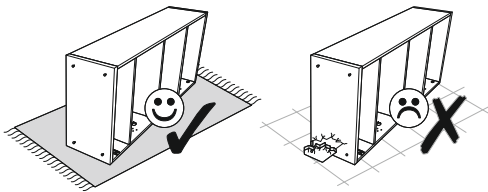
E0 x8  Ø16	F3 x2  7 x 58 mm	G1 x2  7 x 50 mm
--	---	--



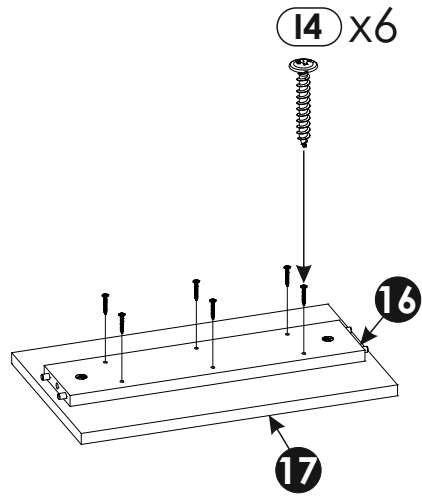
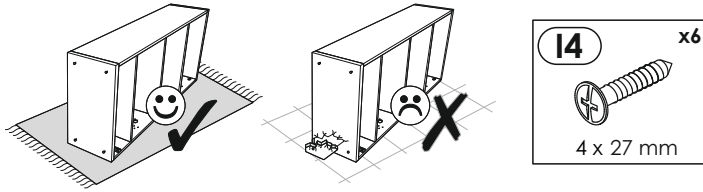
28 ▶



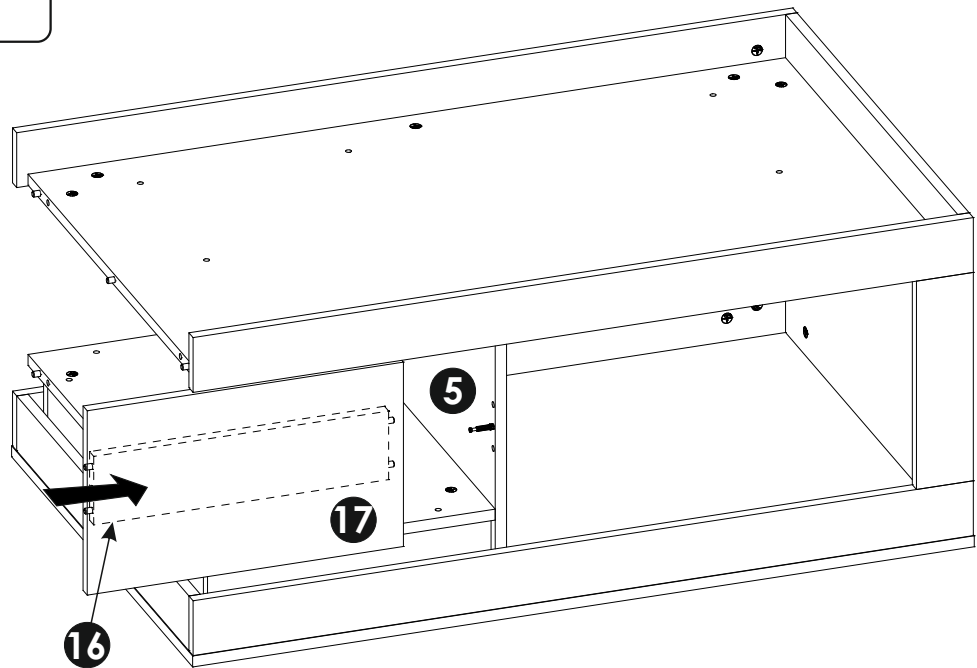
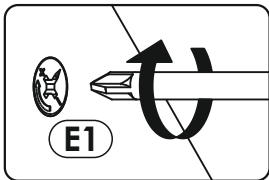
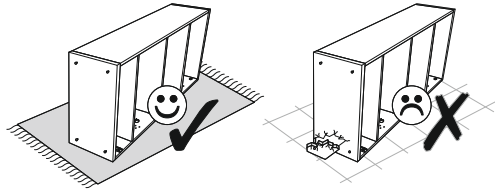
29 ▶

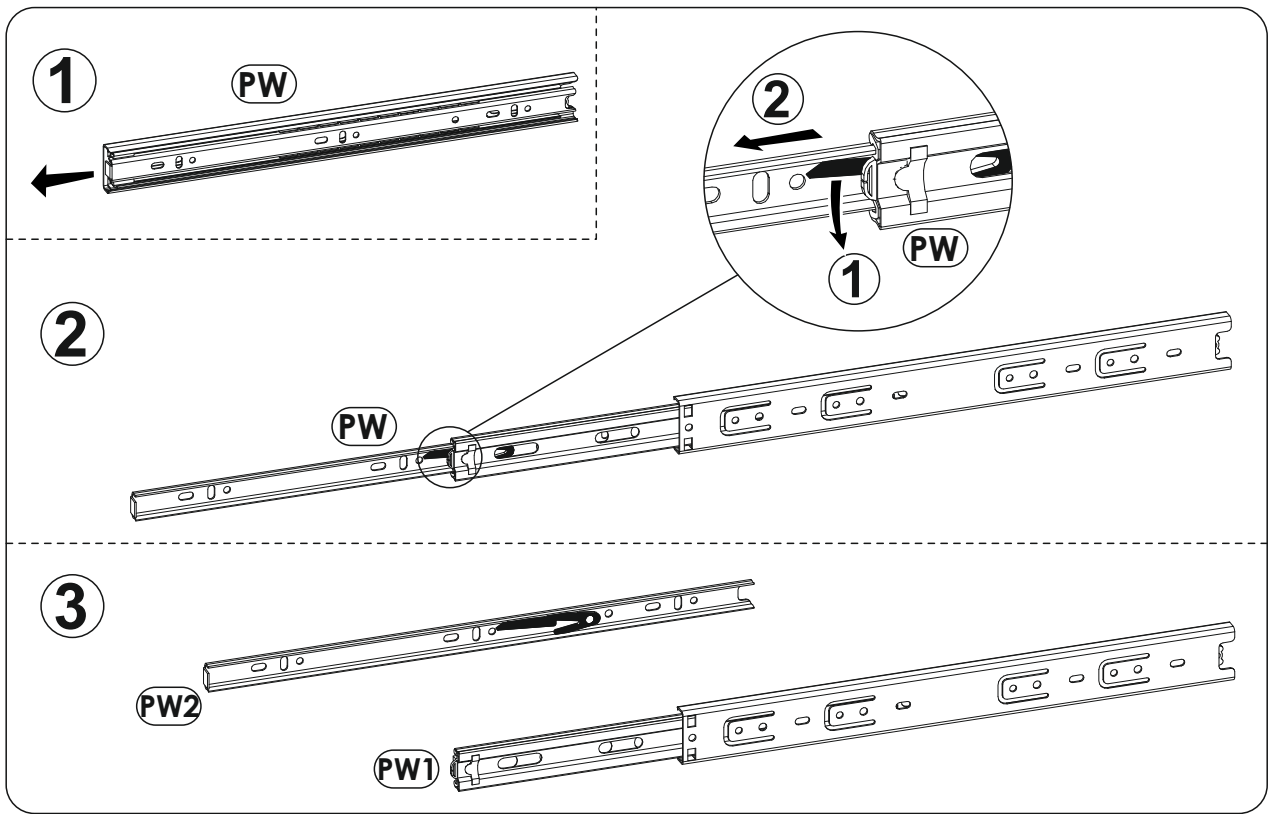


30 ▶

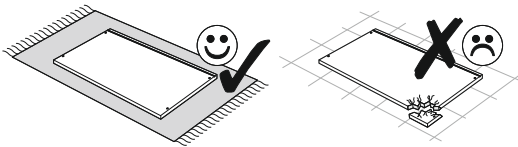


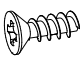
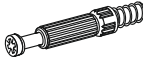

31 ▶

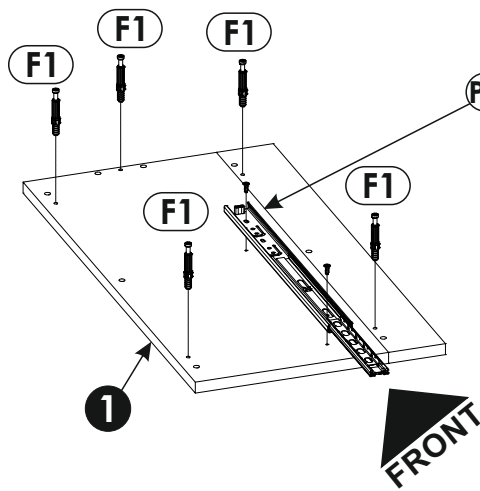
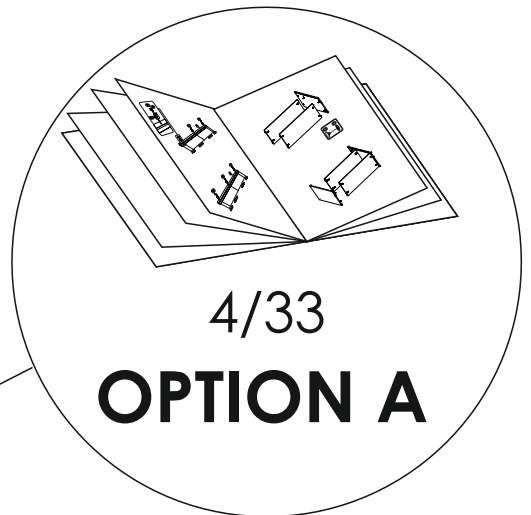




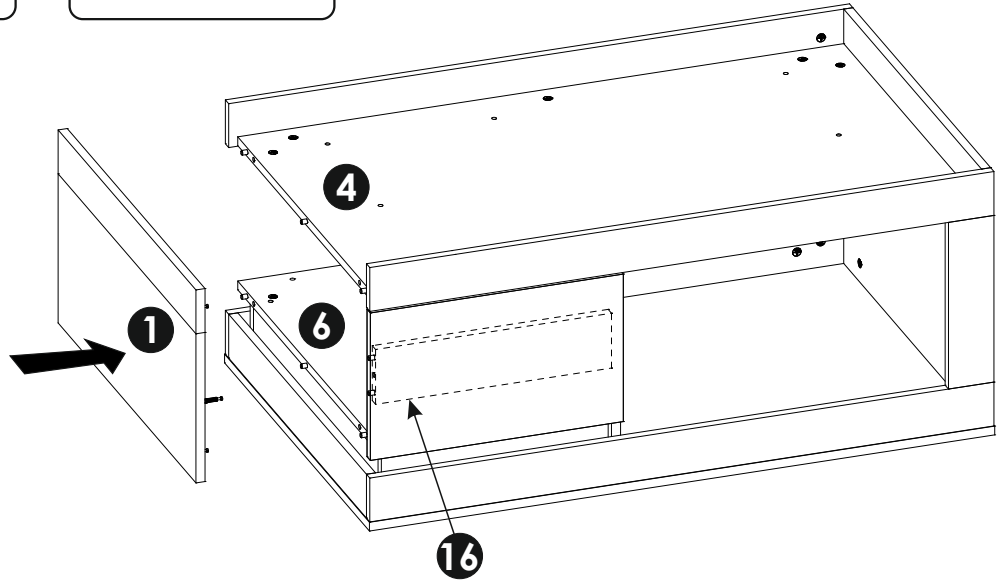
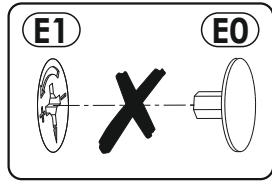
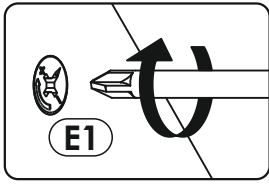
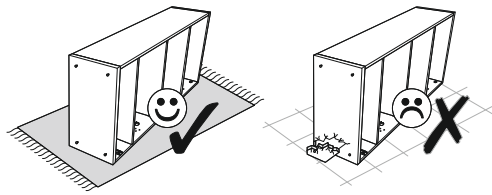
32 ▶



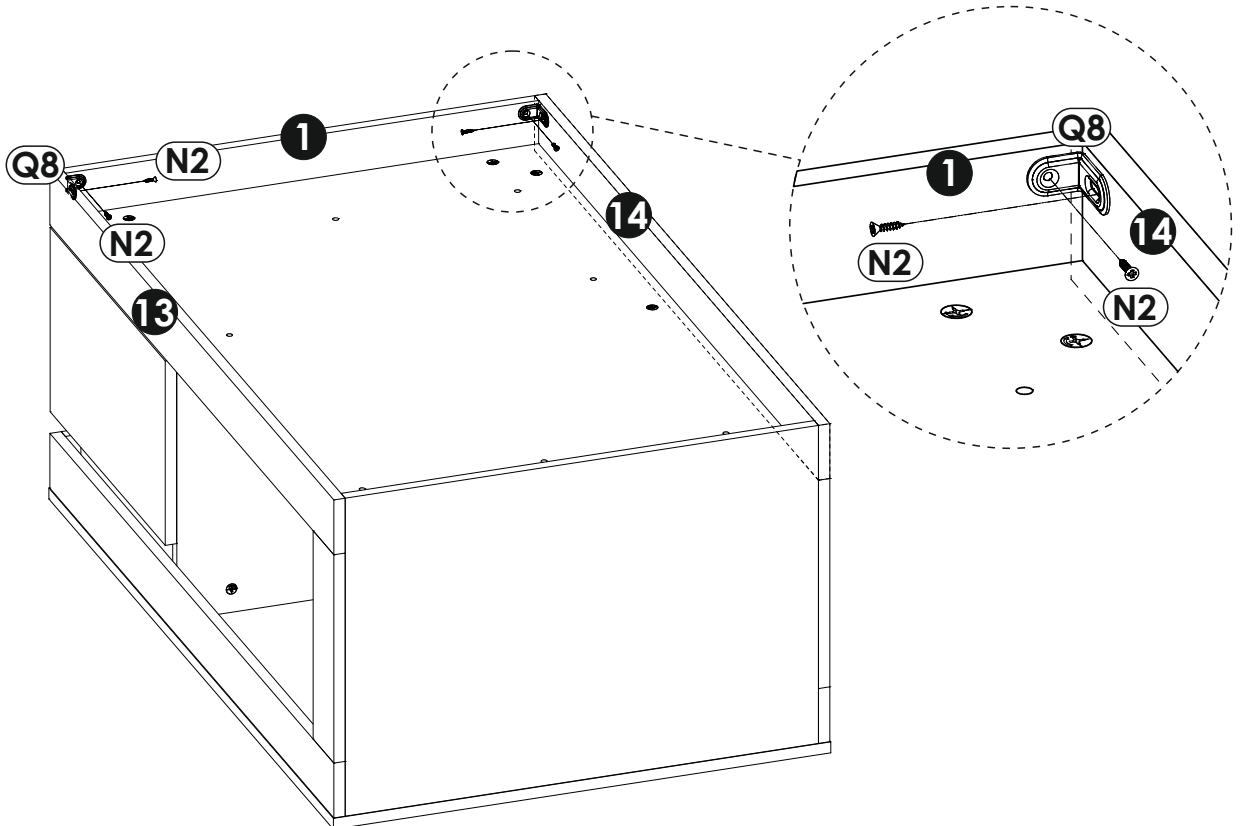
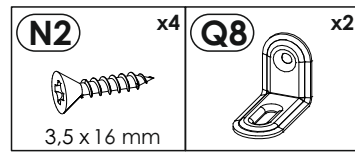
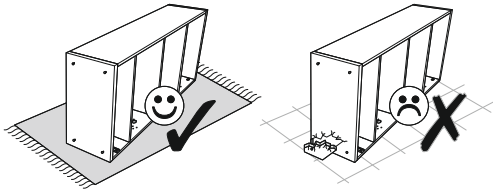
C2	x2	F1	x5	PW1	x1
					
5 x 13 mm		6 x 34 mm		L - 400 mm	



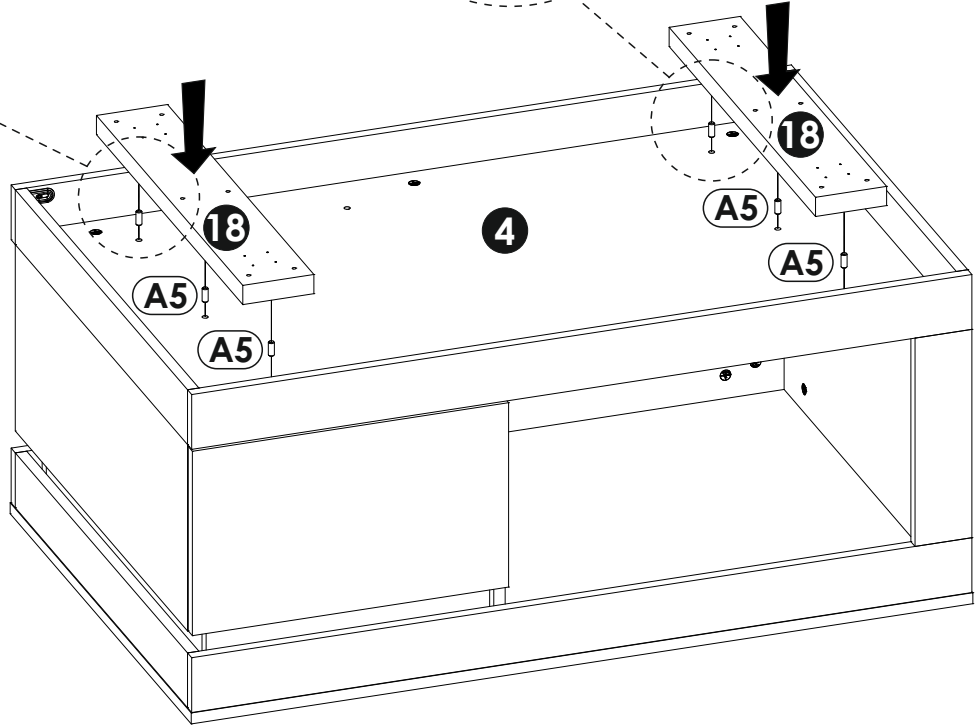
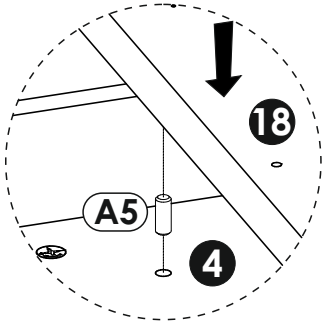
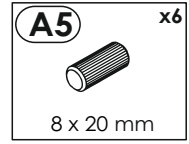
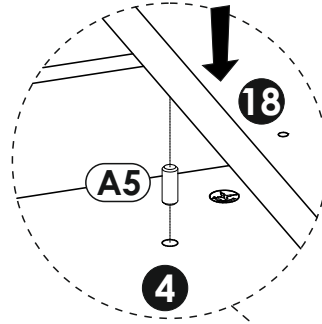
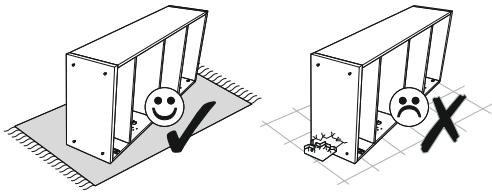
33 ▶



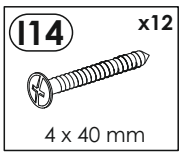
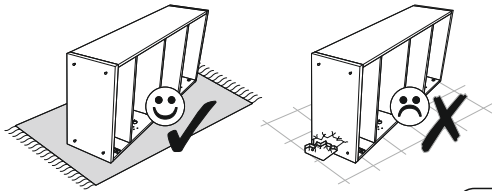
34 ▶



35 ▶

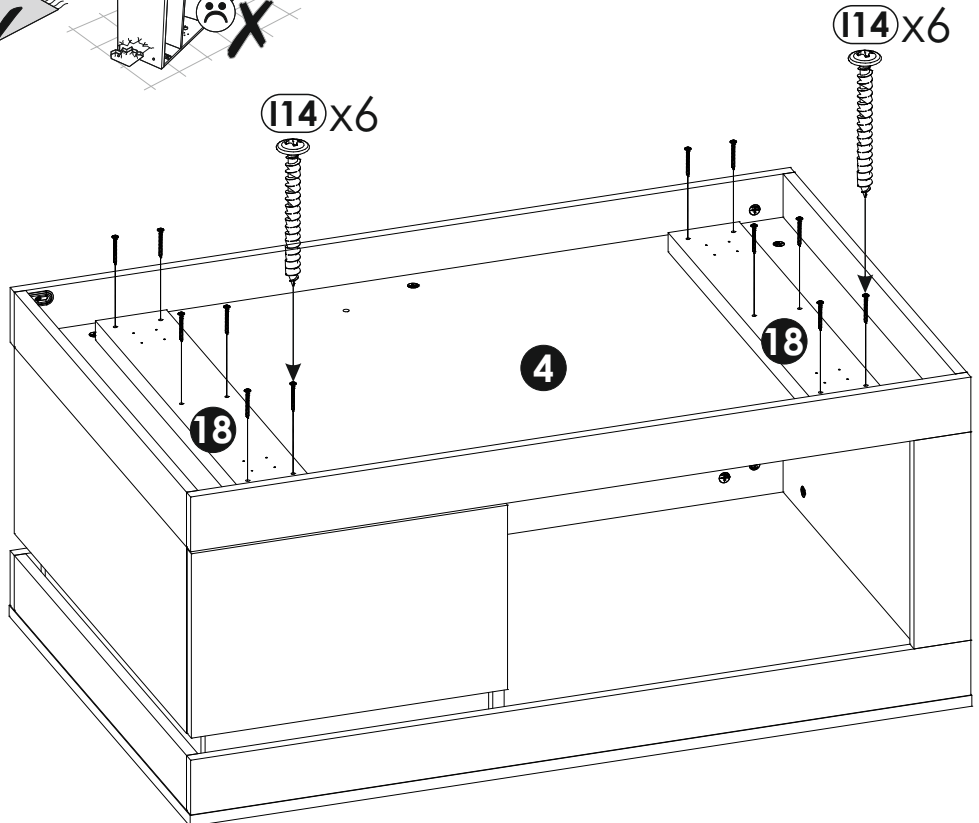


36 ▶

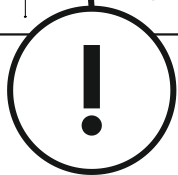
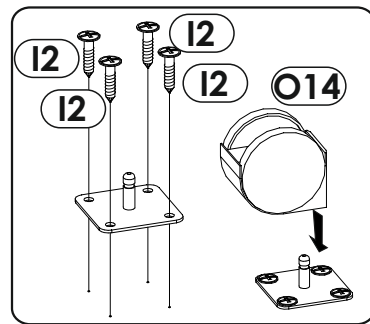
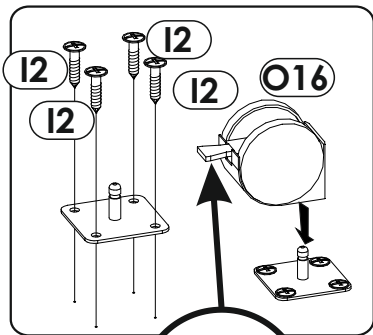
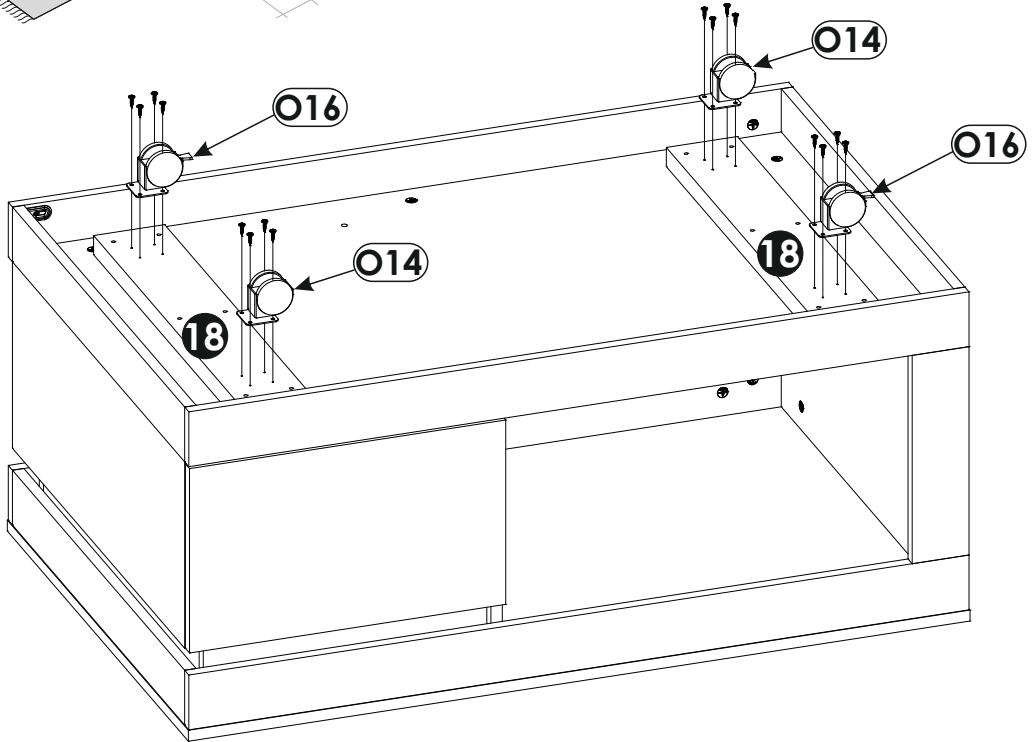
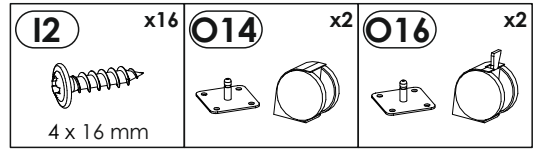
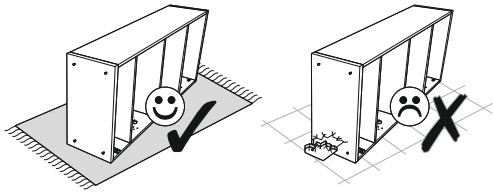


I14 x6

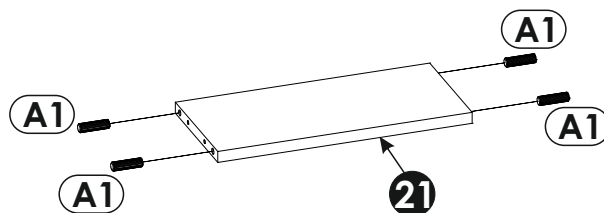
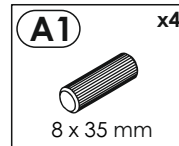
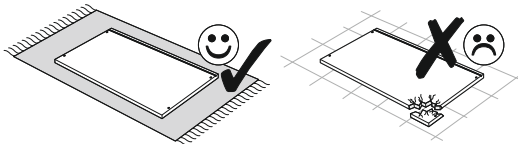
I14 x6



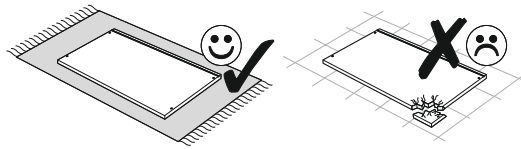
37 ▶



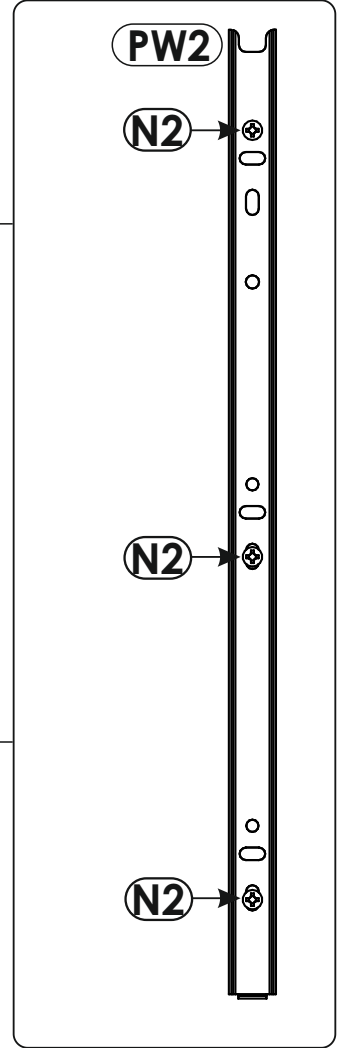
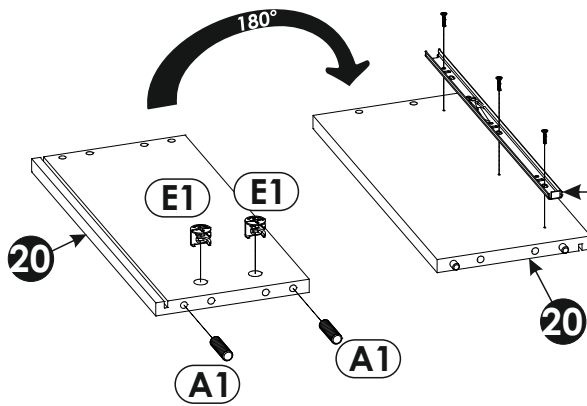
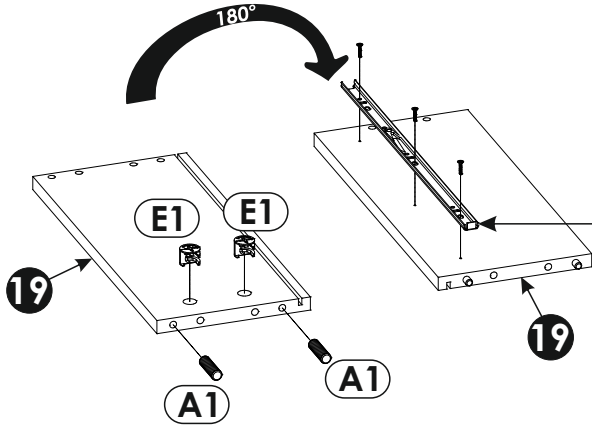
38 ▶



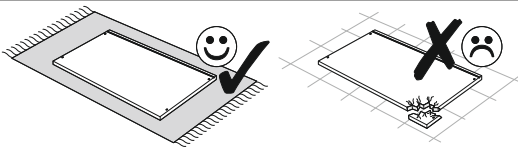
39 ▶



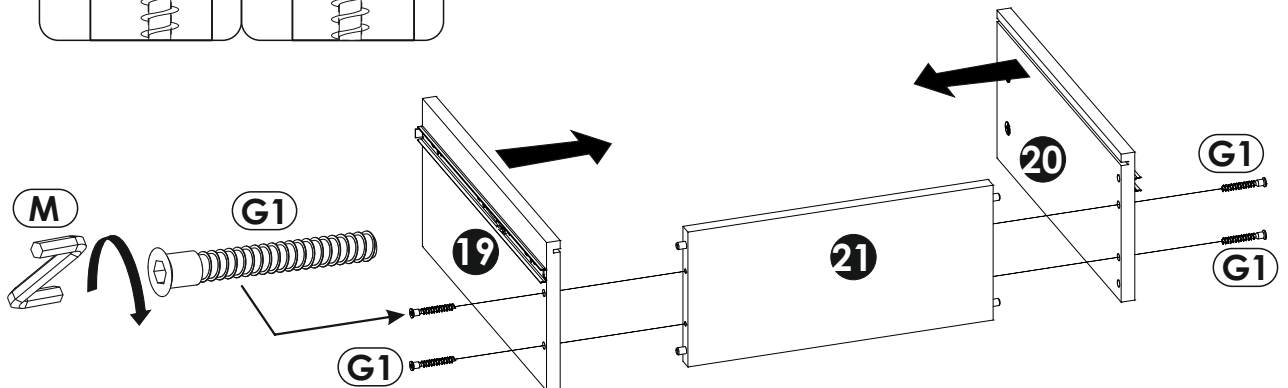
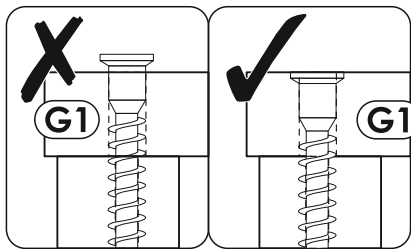
A1 x4 8 x 35 mm	E1 x4 15 x 12 mm	N2 x6 3,5 x 16 mm
PW2 x2 L - 400 mm		



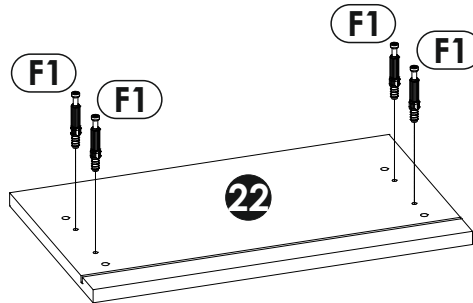
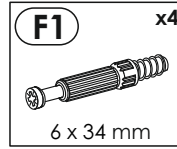
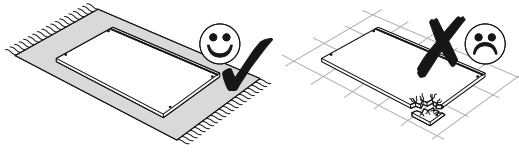
40 ▶



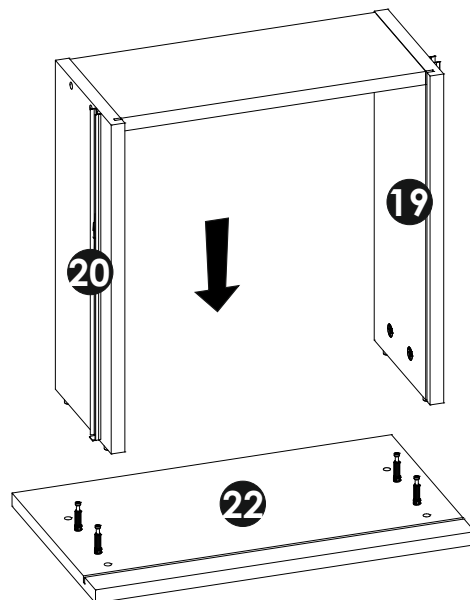
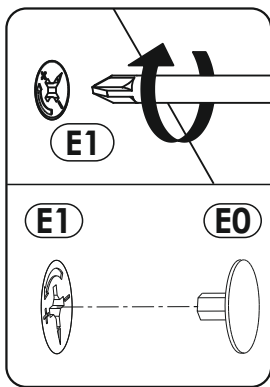
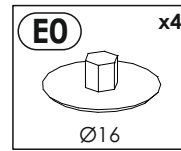
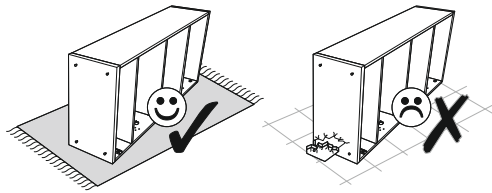
G1 x4 7 x 50 mm



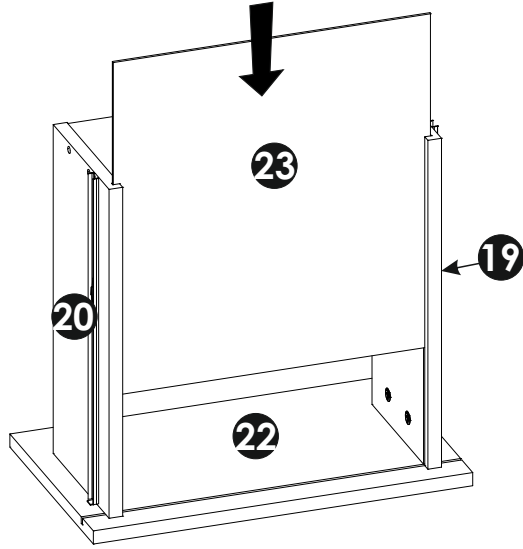
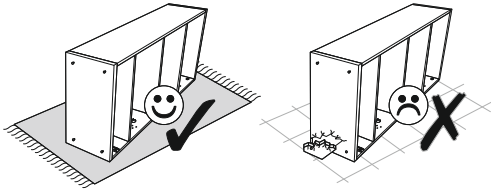
41 ▶



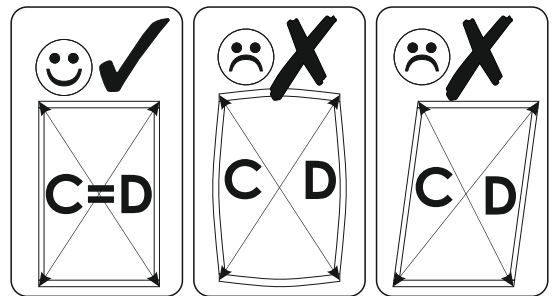
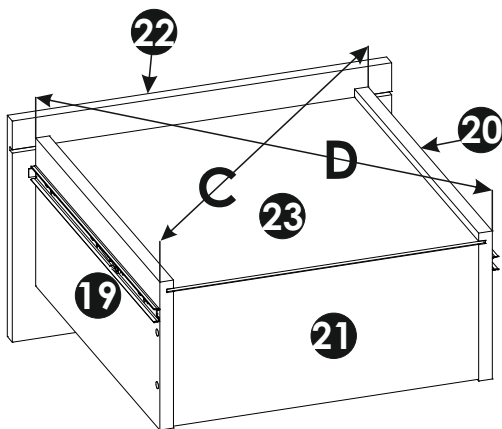
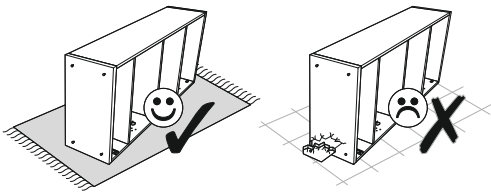
42 ▶



43 ▶

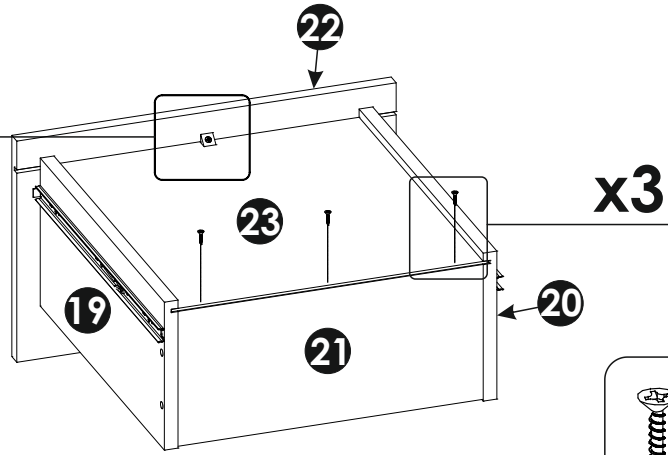
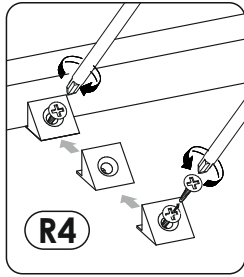
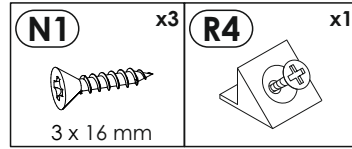
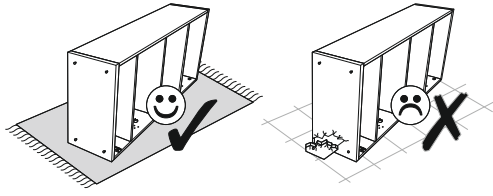


44 ▶

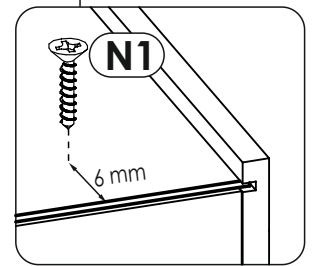


C=D

45 ▶



x3



46 ▶

