

SOJAG

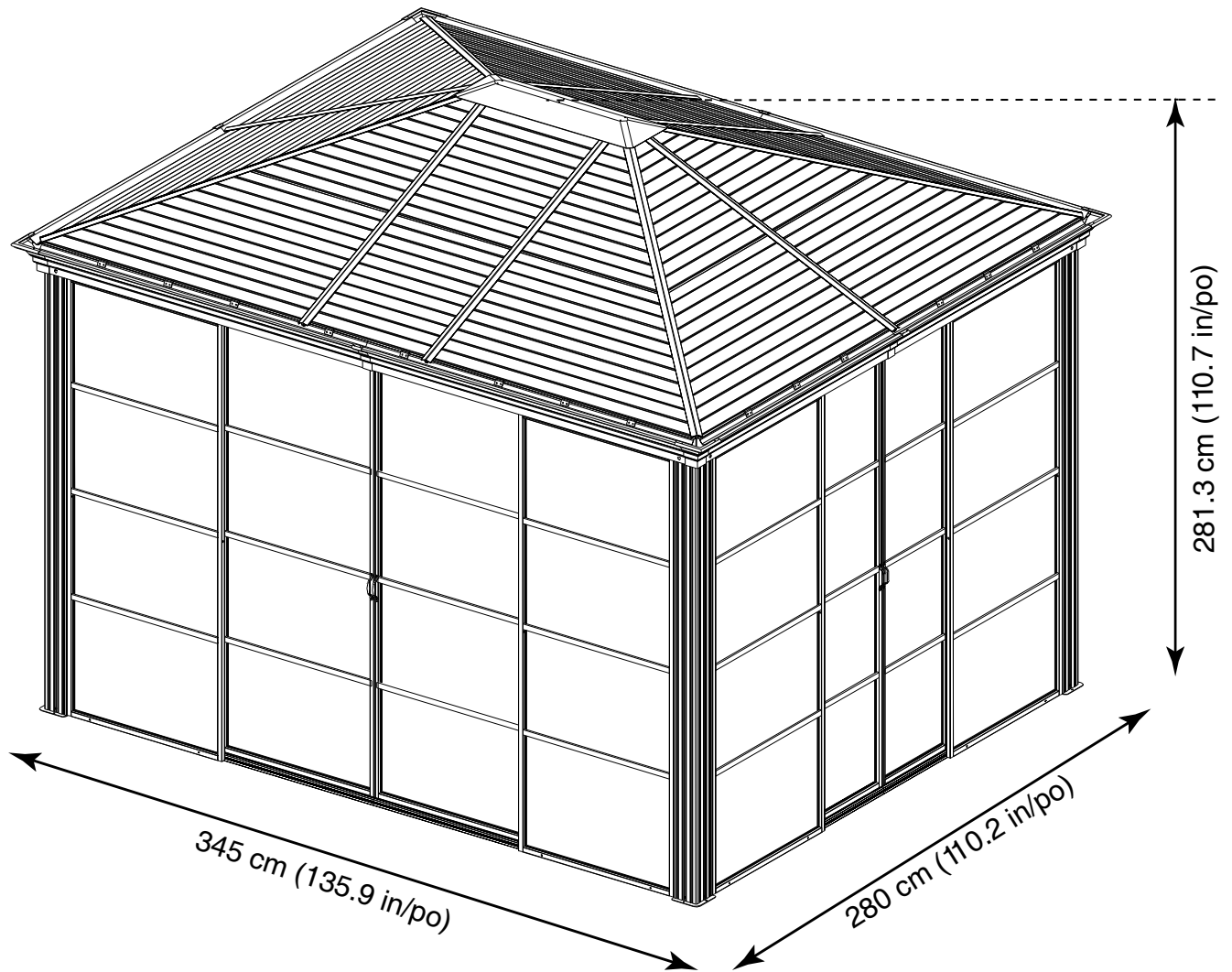
produits saisonniers • seasonal products

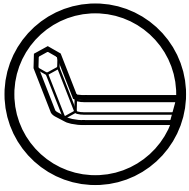


Sojag code: 999- 9164350

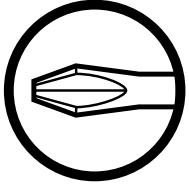
CUP/UPC code: 772830164350

Assembly Manual / Guide d'assemblage / Manual de ensamblaje / 조립설명서 / Montageanleitung

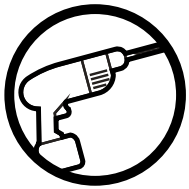




Use the hex keys in the box. / Utilisez les clés hexagonales fournies dans la boîte. / Utilice las llaves hexagonales en la caja. / 상자에 육각 키를 사용 하십시오. / Verwenden Sie die Sechskantschlüssel in der Box.



Please use a Phillips screwdriver. / Utilisez un tournevis de type Phillips / Por favor, use un destornillador Phillips. / 십자 드라이버를 사용 하십시오. / Bitte verwenden Sie einen Kreuzschraubenzieher.



You may need to use a drill for this step. / Vous pouvez avoir besoin d'utiliser une perceuse pour cette étape. / Puede que tenga que utilizar un taladro para este paso. / 이 단계에선 드릴을 사용해야 할 수도 있습니다. / Für diesen Schritt können Sie einen Bohrer verwenden.



Wearing protective gloves is recommended. / Le port de gants de protection est recommandé / El uso de guantes de protección se recomienda. / 보호 장갑을 착용 하는 것이 좋습니다. / Das Tragen von Schutzhandschuhen wird empfohlen.



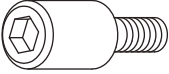



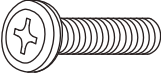

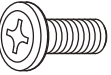


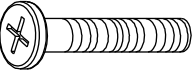
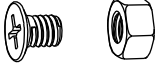


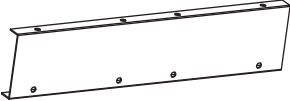

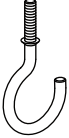
Two or more people are required at this stage. / Deux personnes ou plus sont nécessaires à cette étape. / Dos o más personas se requieren en esta etapa. / 이 단계에서는 두 명 이상이 필요합니다. / Für diesen Bauschritt sind 2 oder mehr Personen erforderlich.

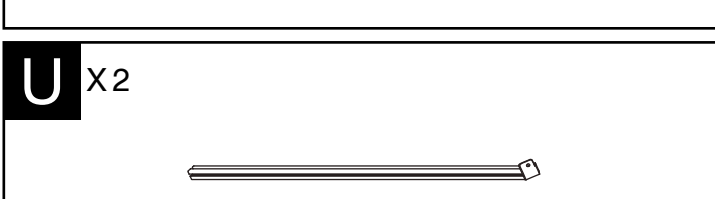
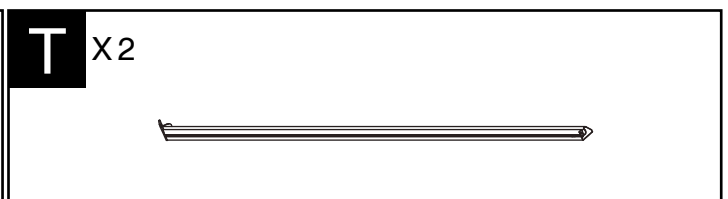
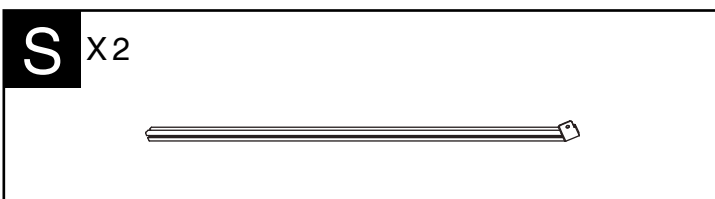
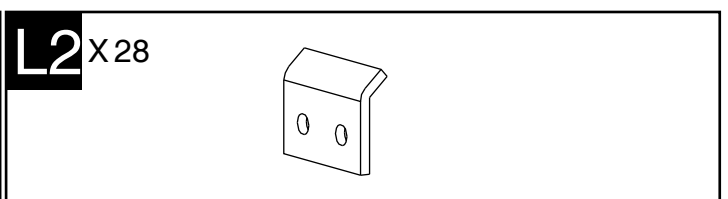
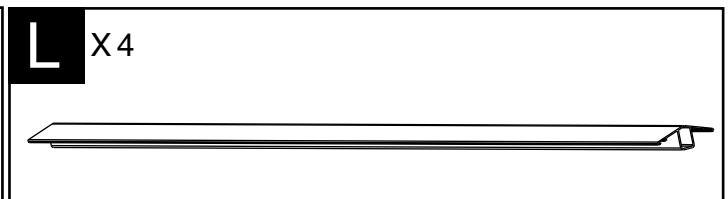
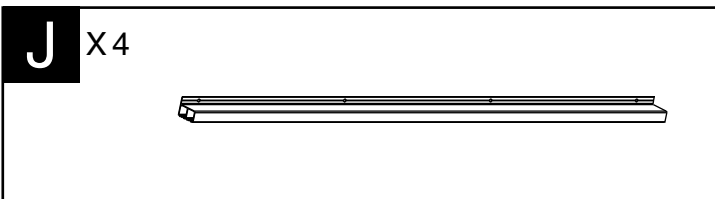
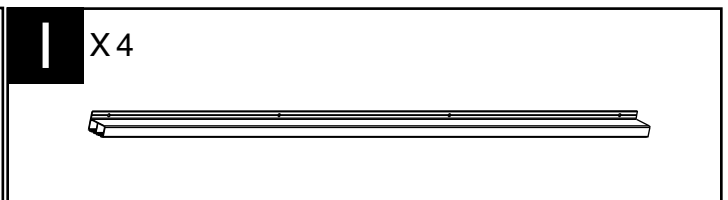
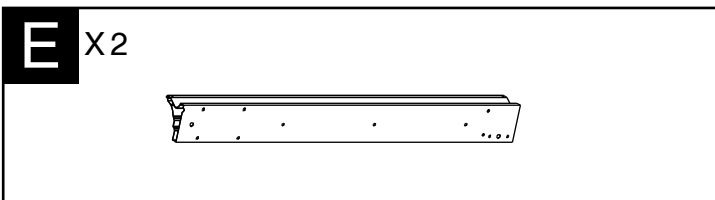
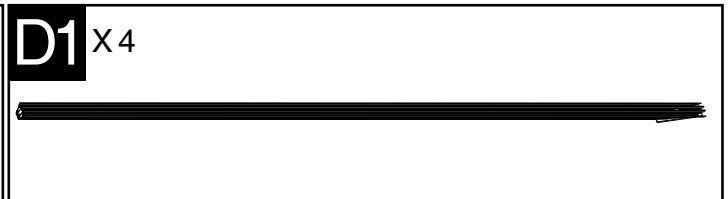
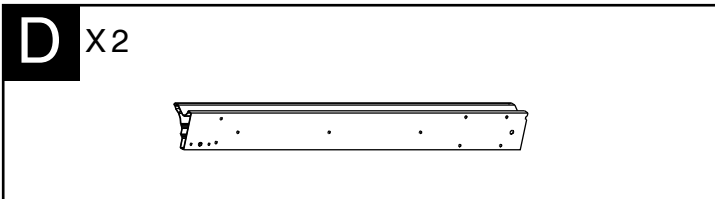
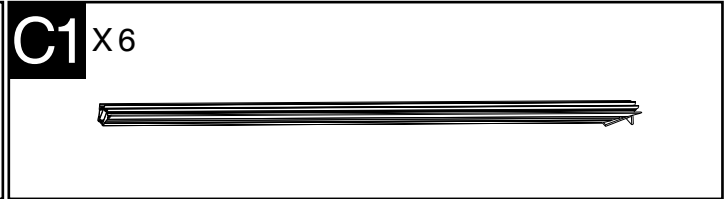
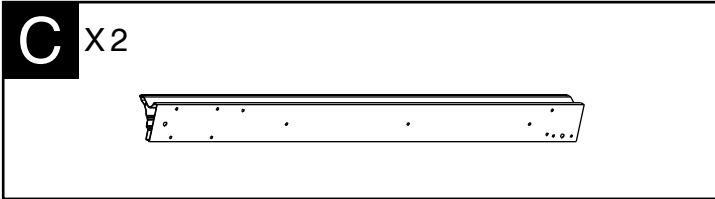
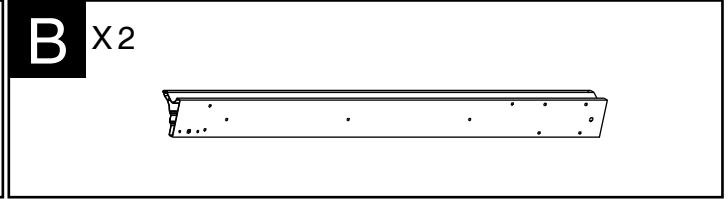
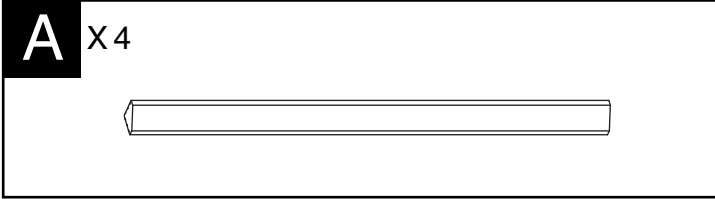


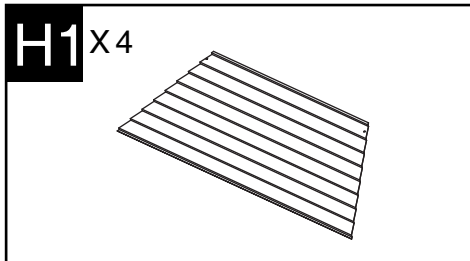
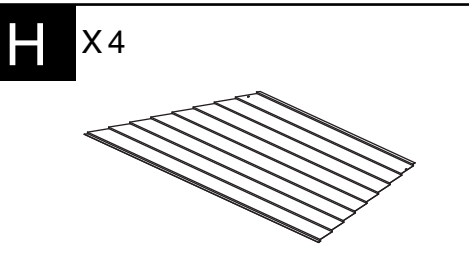
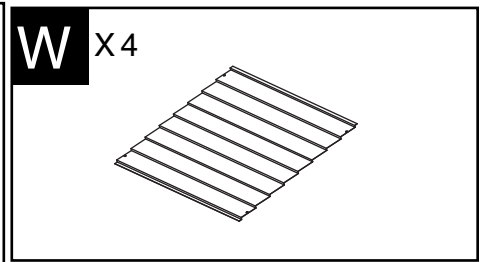
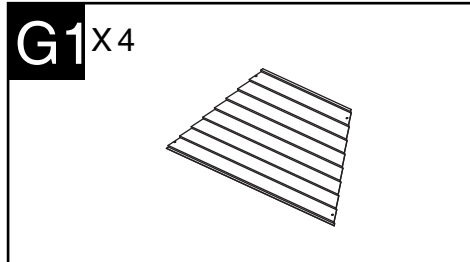
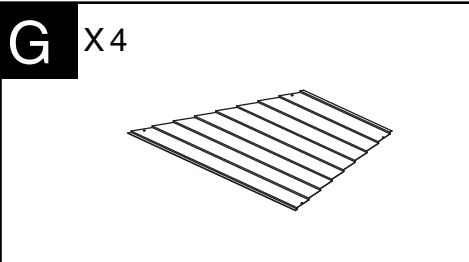
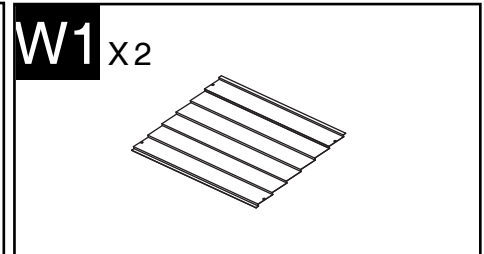
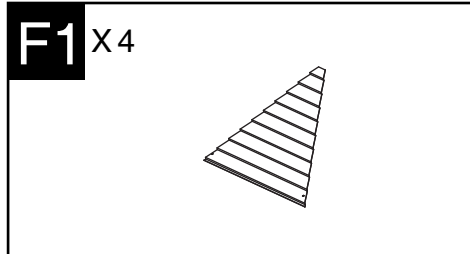
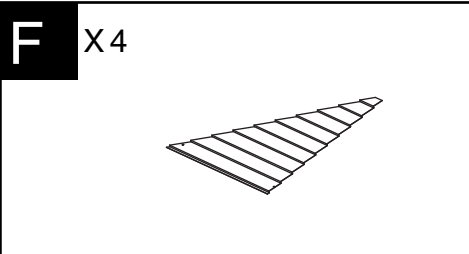
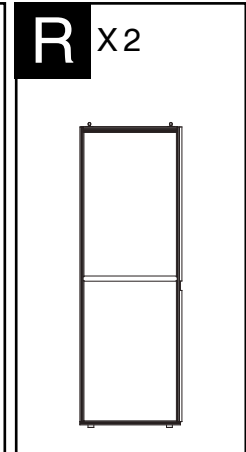
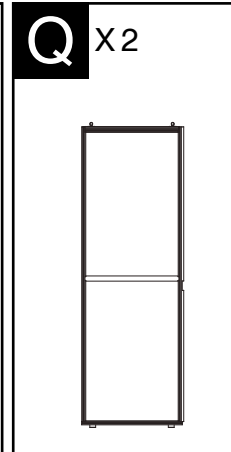
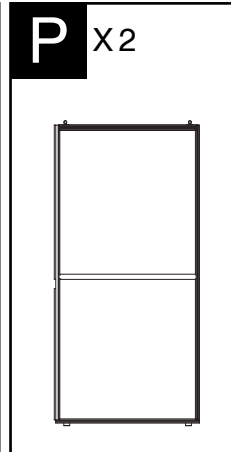
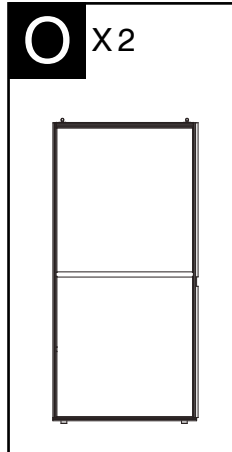
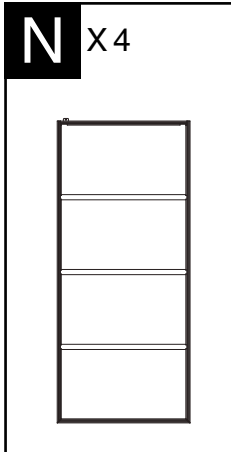
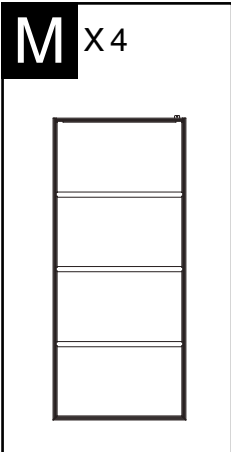
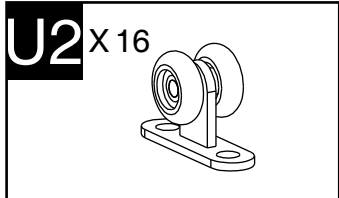
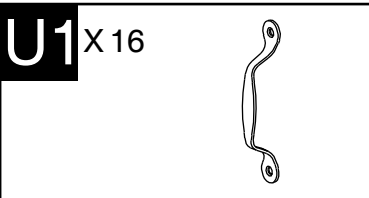
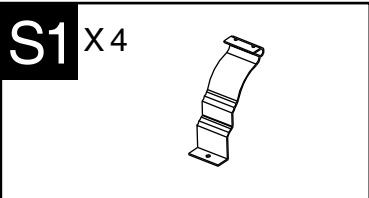
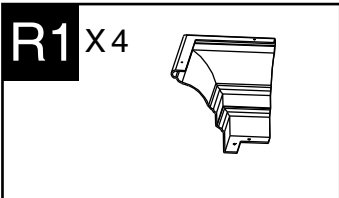
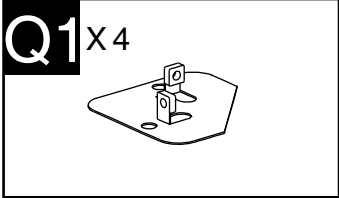
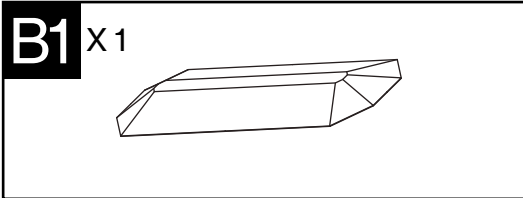
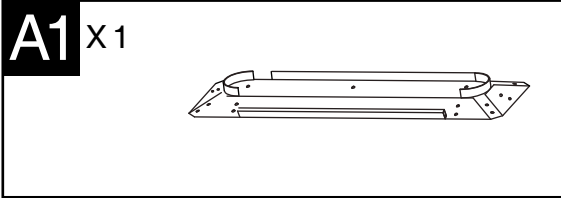
Do not tighten screws all the way for now. / Ne pas visser fermement pour l'instant. / No atornille con firmeza por ahora. / 아직 나사를 단단히 조이지 마십시오. / Bitte die Schrauben zum jetzigen Zeitpunkt noch nicht fest anziehen.

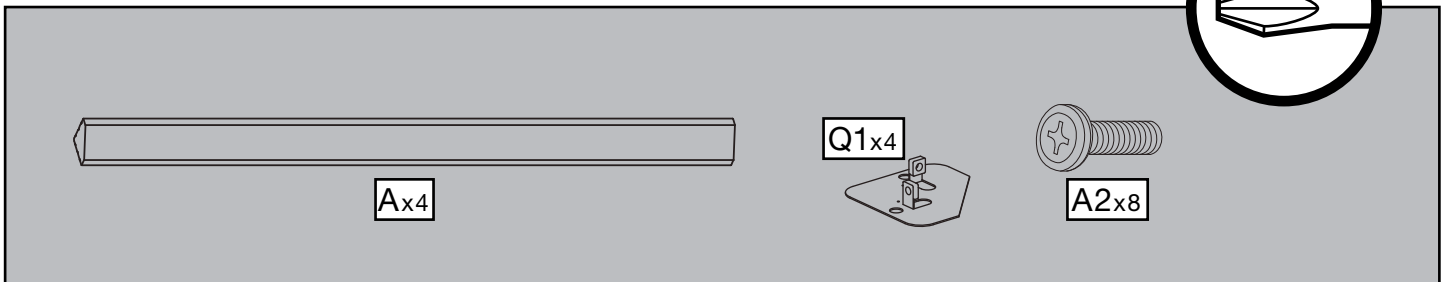
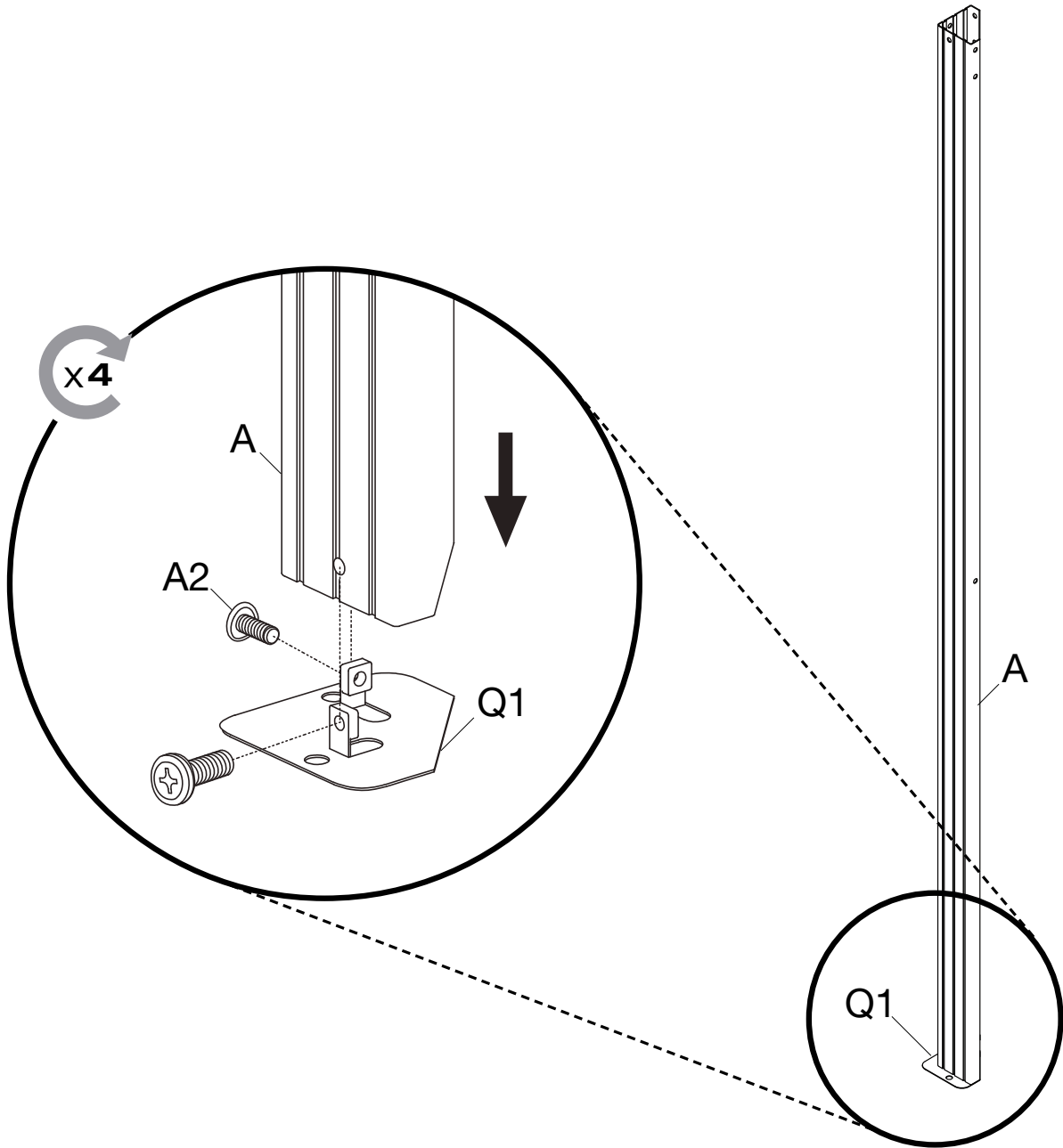


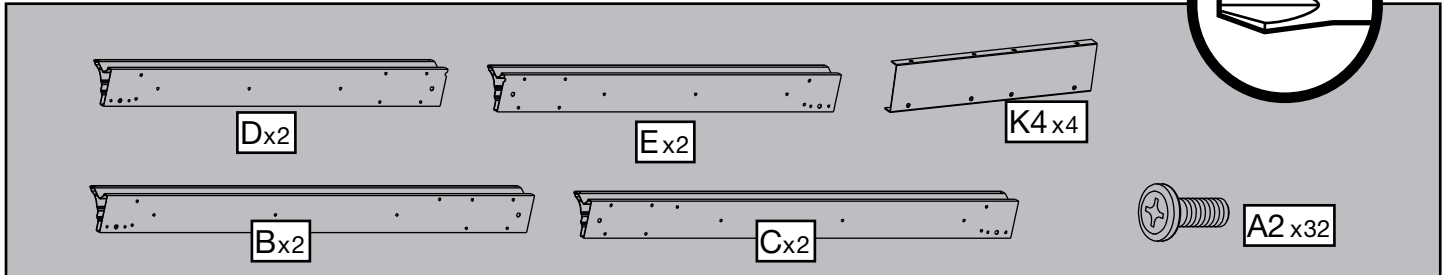
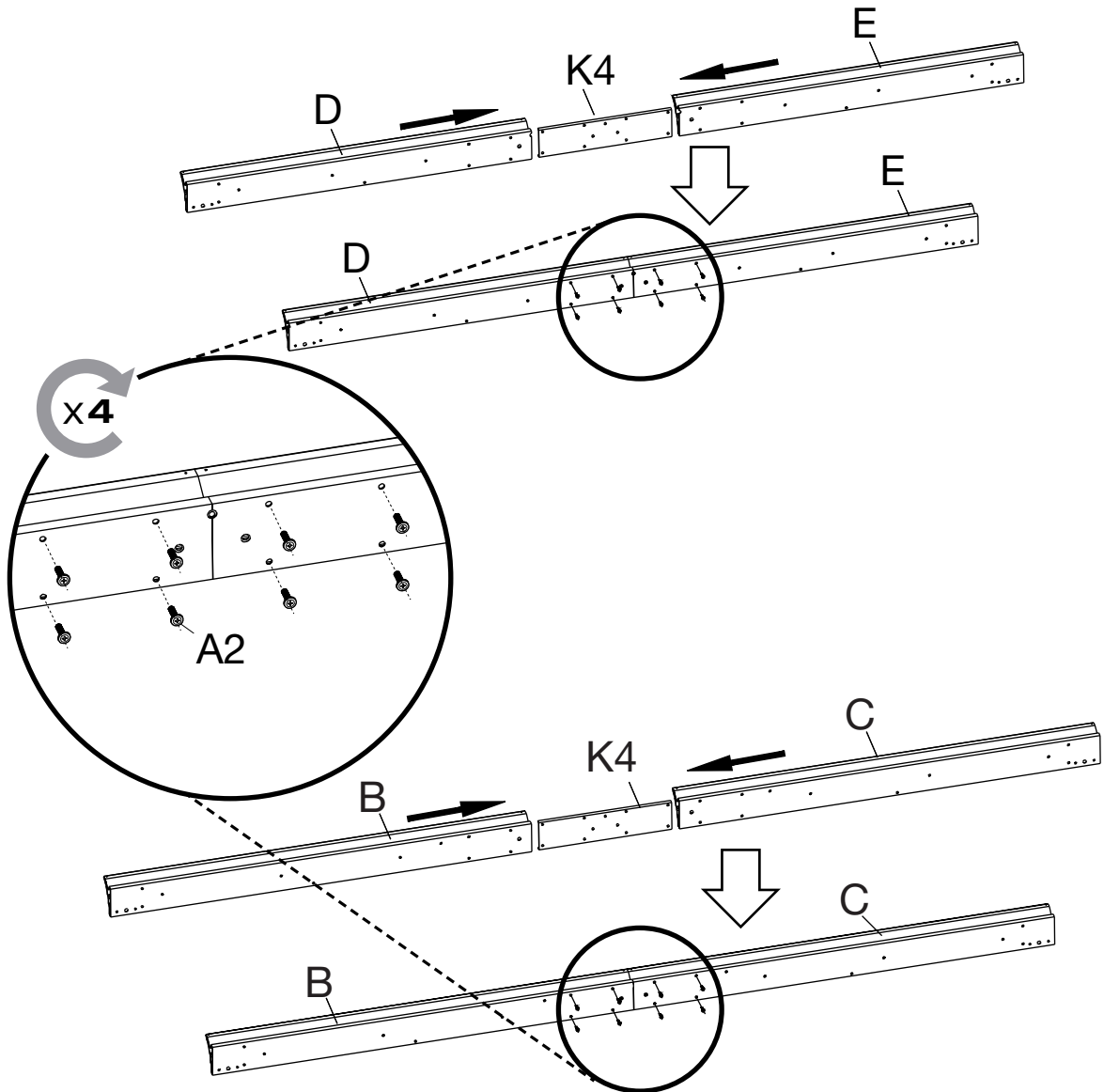
Sold separately. / Vendus séparément. / vendido en las opciones. / 옵션 판매 / Optional erhältlich

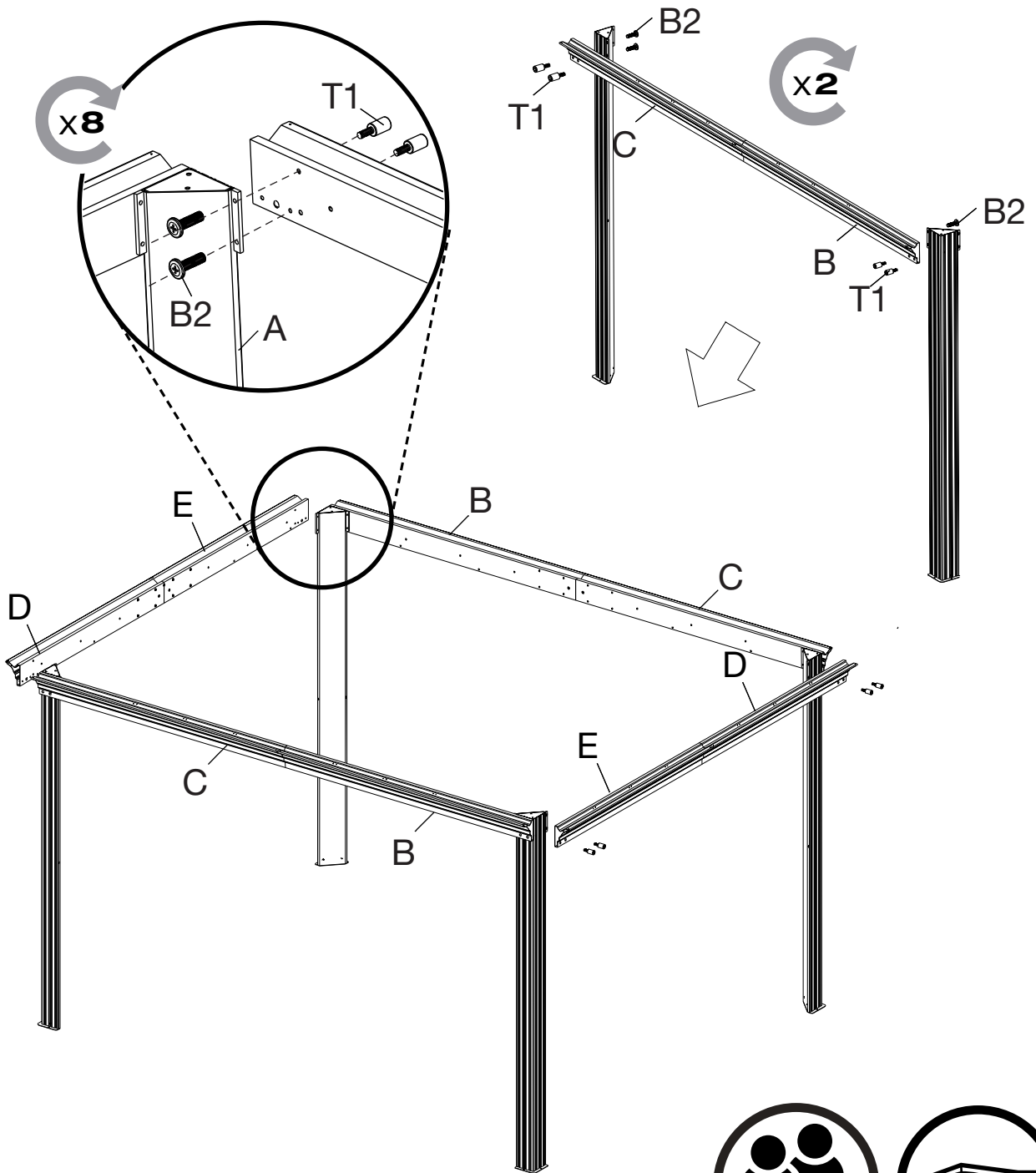
| | | |
|--|--|---|
| T1 X 16 (+2)  | V1 X 16 (+2)  | |
| A2 X 182 (+10)  | B2 X 20 (+2)  | |
| C2 X 16 (+2)  | D2 X 21 (+2)  | |
| E2 X 32 (+3)  | F2 X80 (+6)  | H2 X 16(+2)  |
| I2 X44 (+4)  | J2 X 40(+8)  | K2 X 4  |
| K3 X 8  | K4 X 4  | |
| G2 X 1  | Y X 2  | |









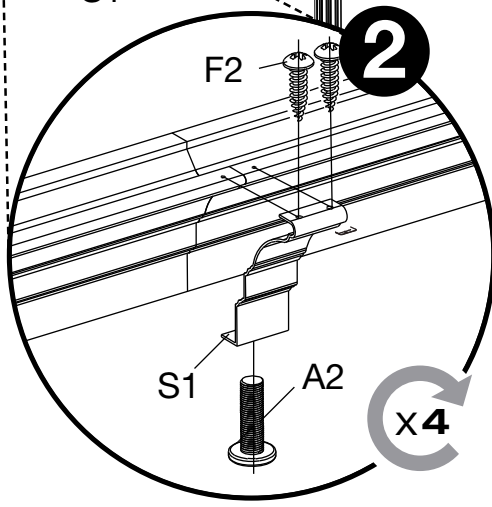
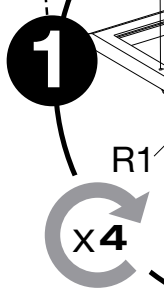
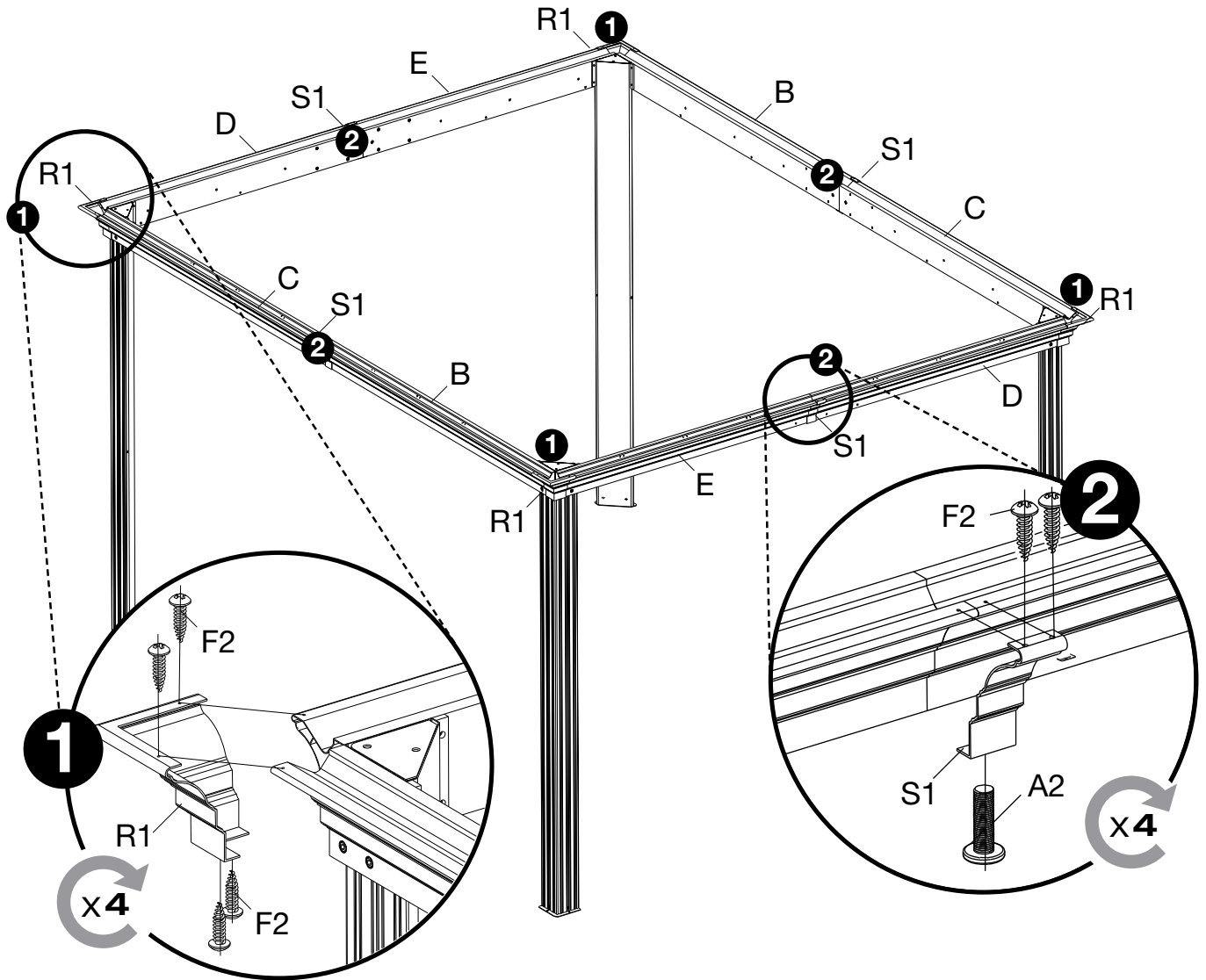


Parts list:

- T1x16
- B2x16

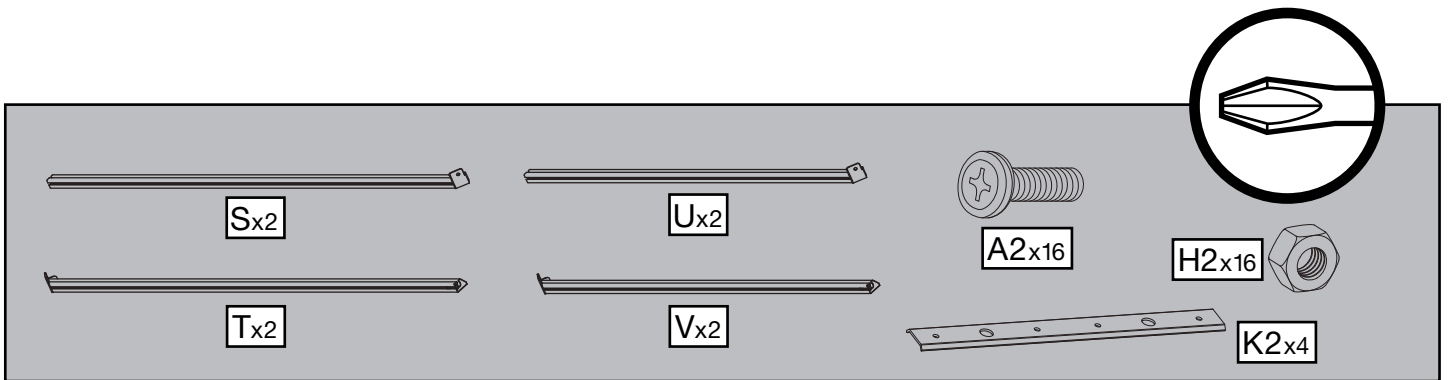
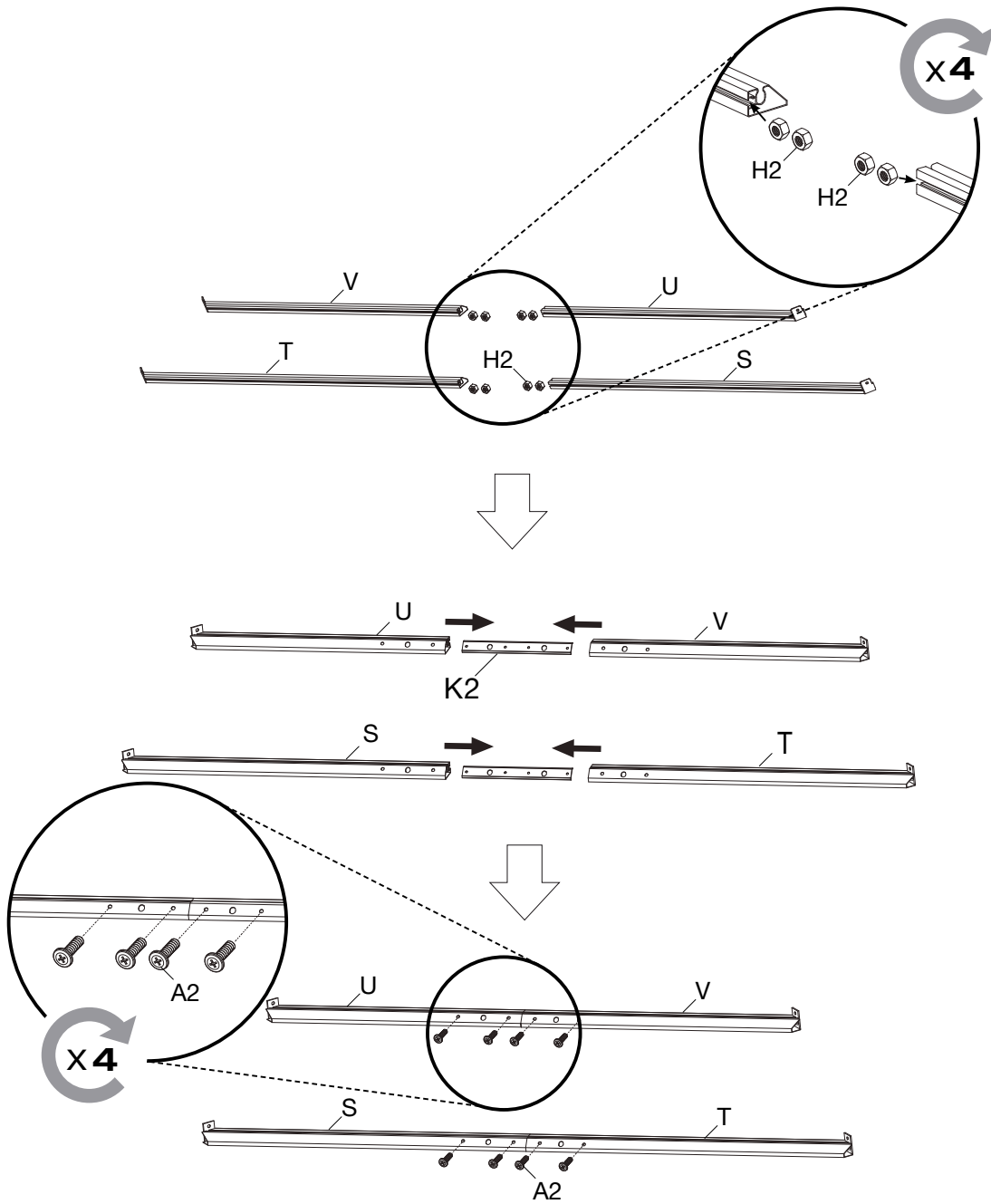
Safety icons:

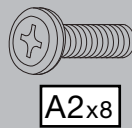
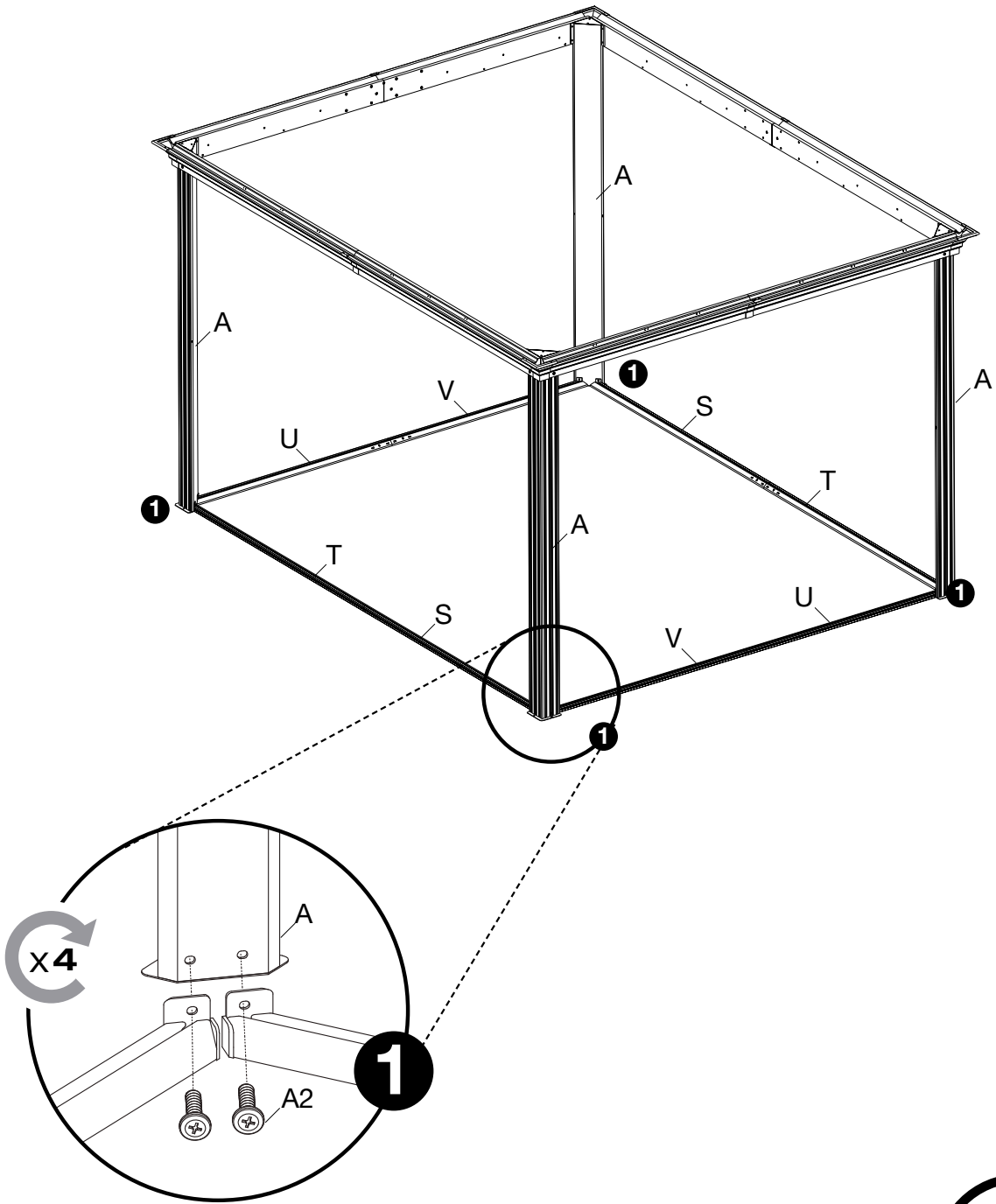
- 2+ (Two people icon)
- Hand icon (Warning icon)

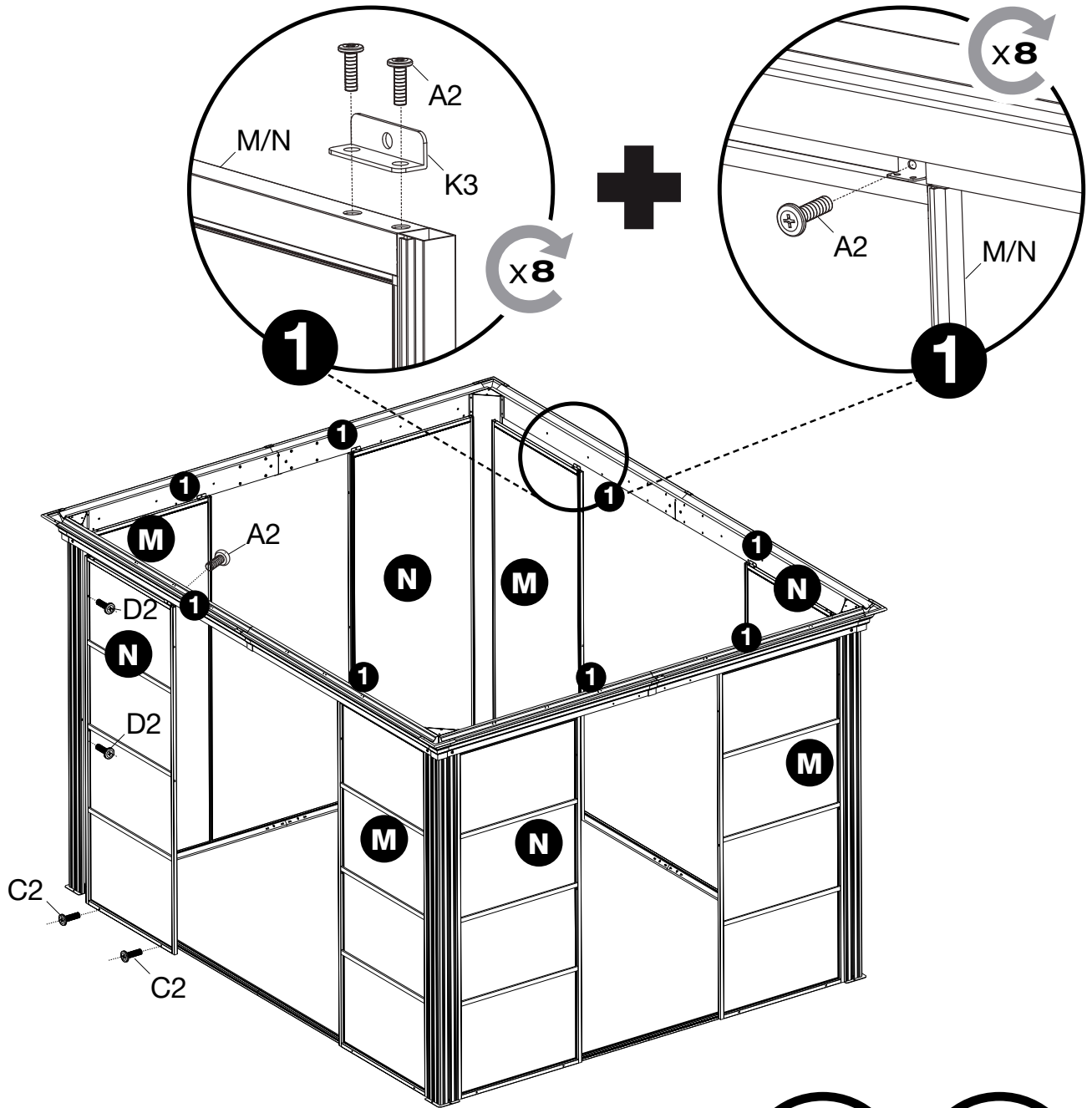


The parts list area contains the following items:

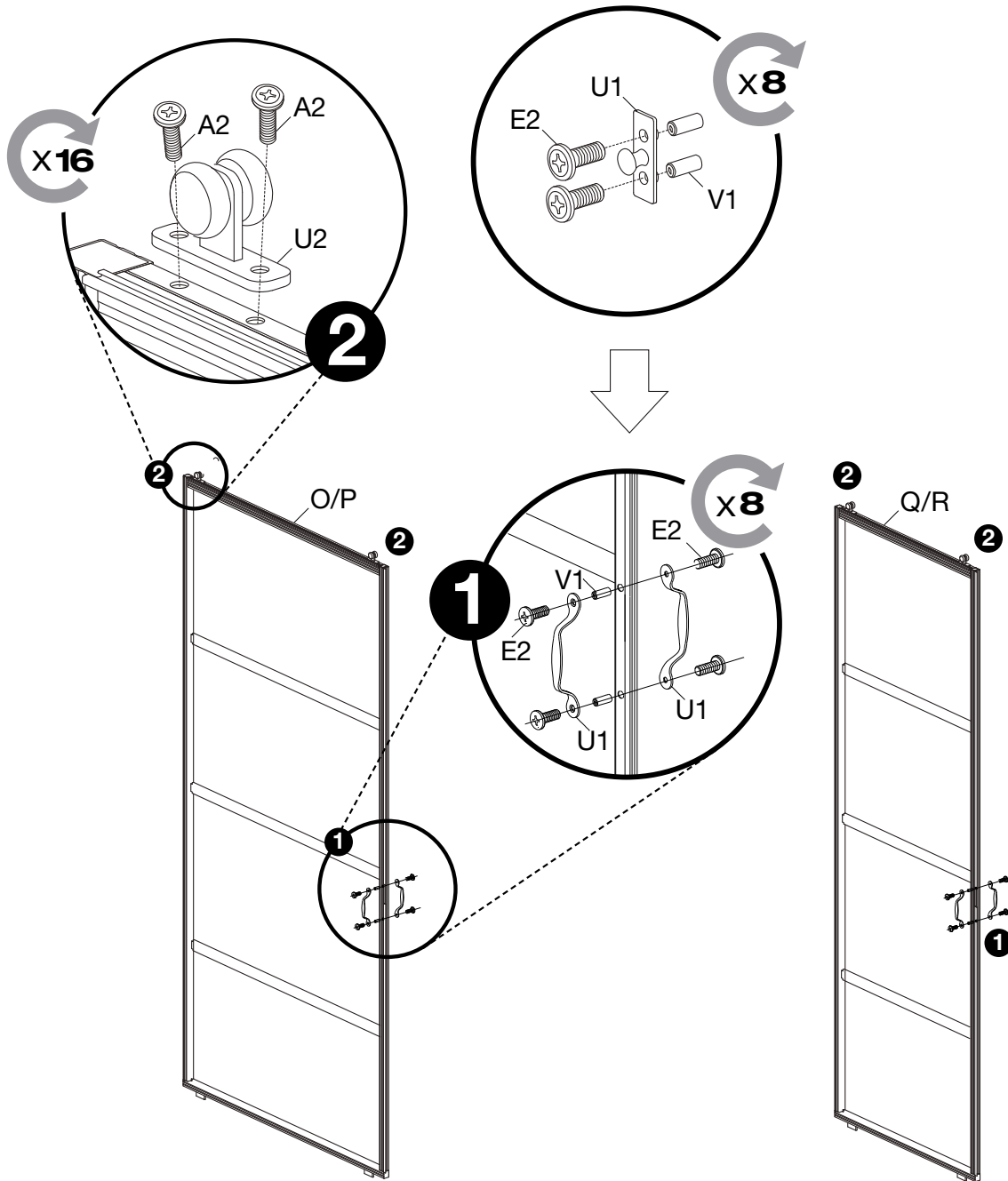
- R1x4**: Four corner brackets.
- S1x4**: Four horizontal rail sections.
- F2x24**: Twenty-four screws.
- A2x4**: Four pins.
- A circular icon showing a wedge-shaped component.







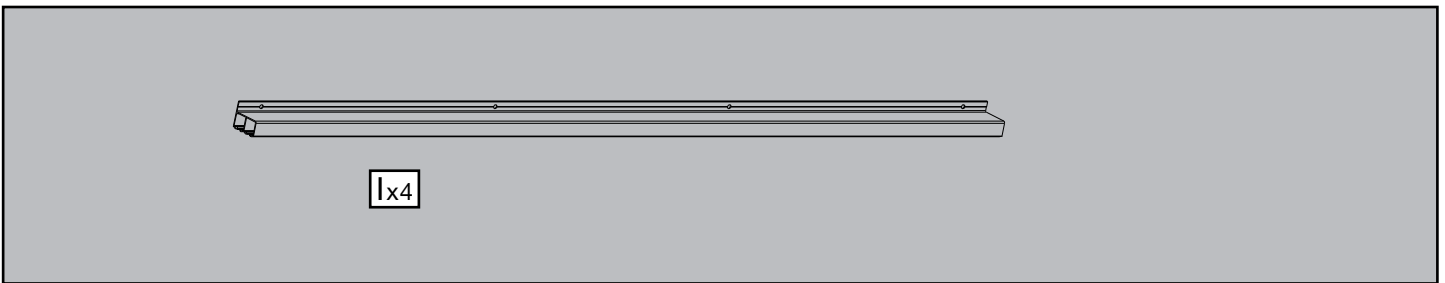
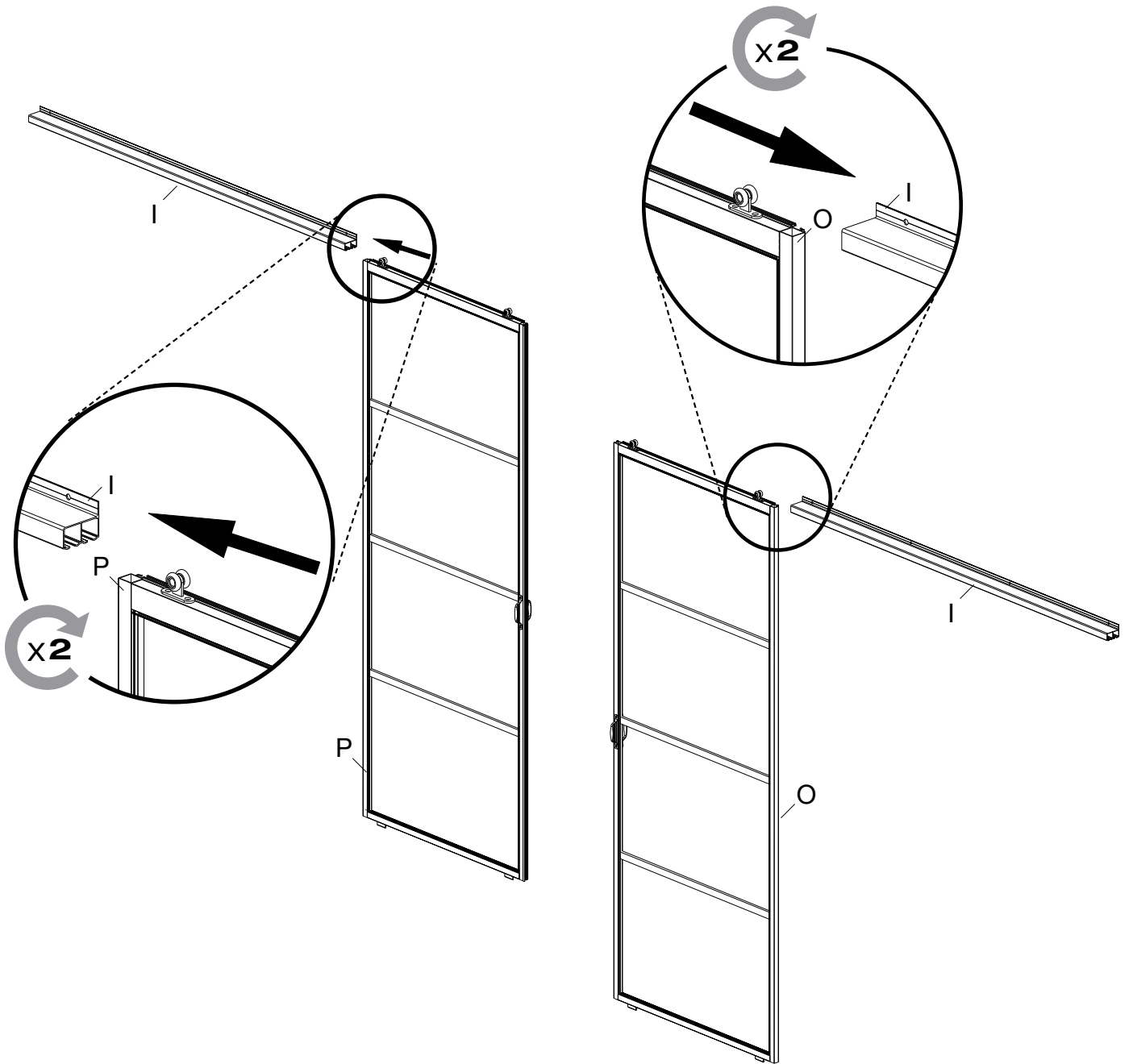
This section contains a parts list and tool icons. On the left, there are two vertical panels labeled 'Mx4' and 'Nx4'. In the center, there are three screws: one labeled 'A2x24', one labeled 'D2x16', and one labeled 'C2x16'. On the right, there is a bracket labeled 'K3x8'. Below the parts list, there are two circular icons: one showing a power drill and the other showing a screwdriver.

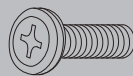
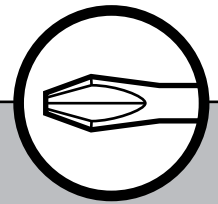
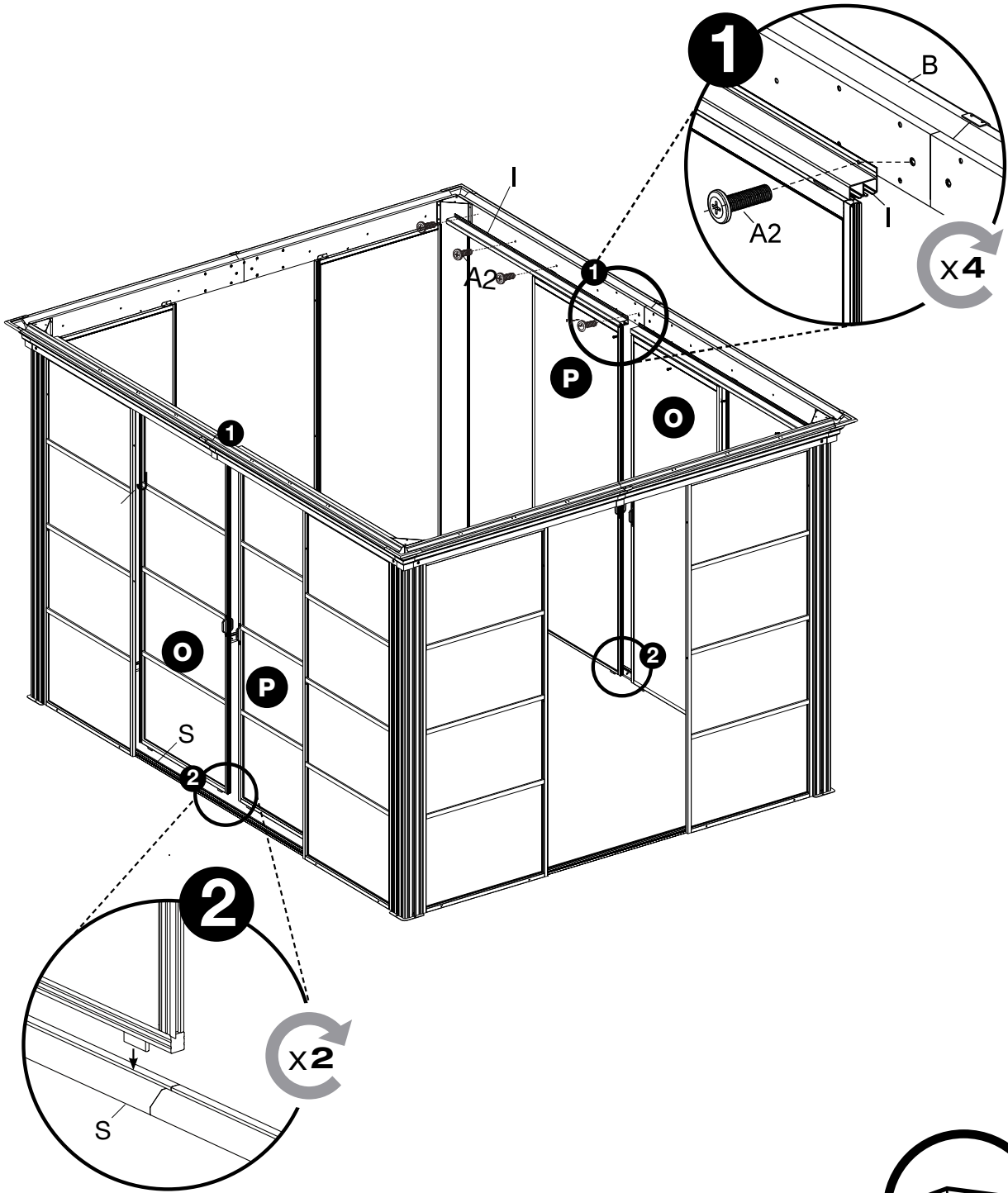


Parts List:

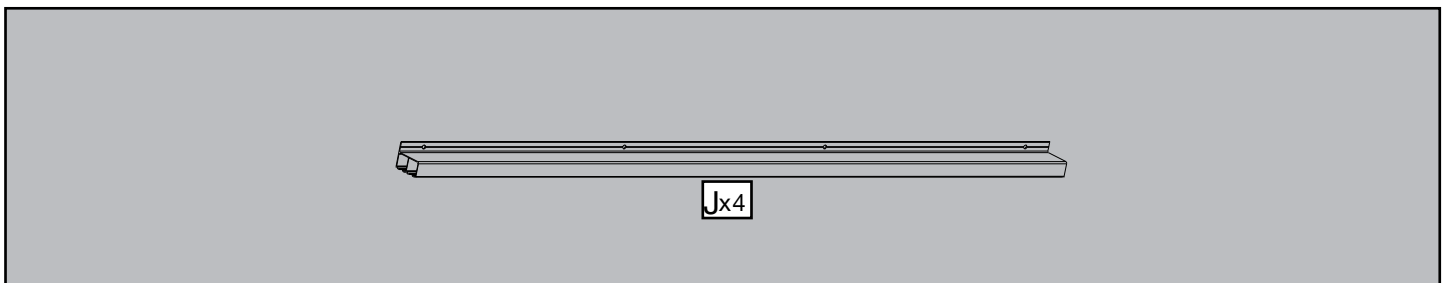
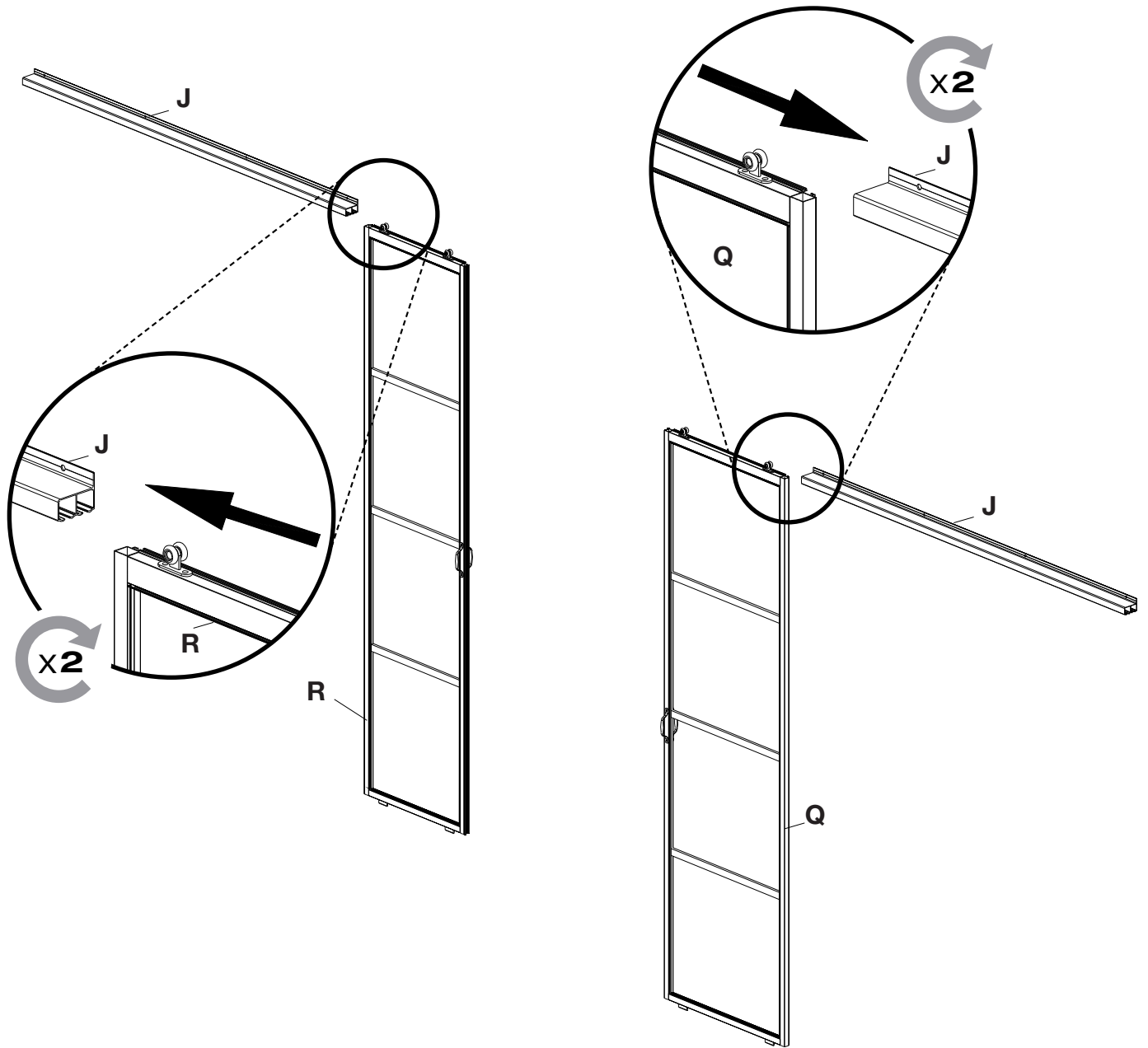
- Ox2
- Px2
- Qx2
- Rx2
- V1x16
- U2x16
- E2x32
- U1x16

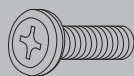
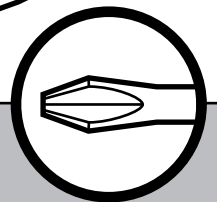
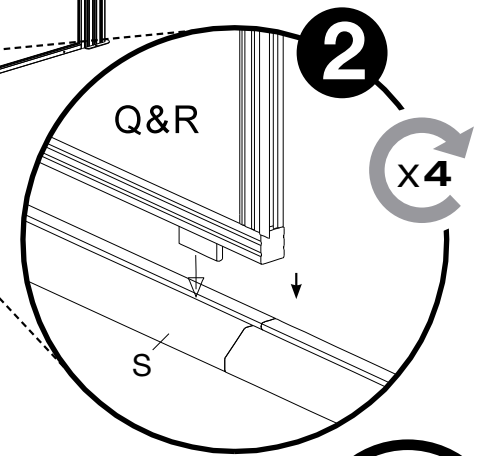
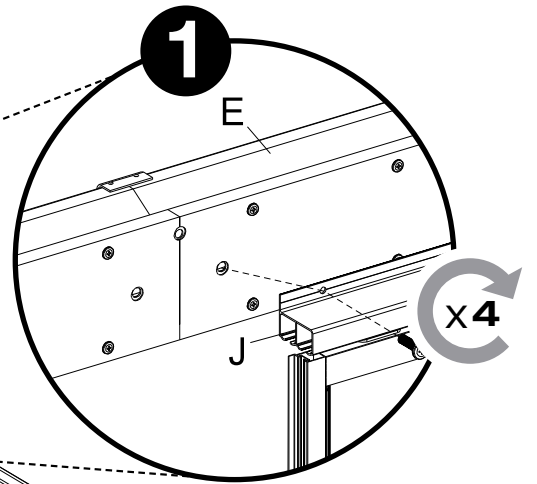
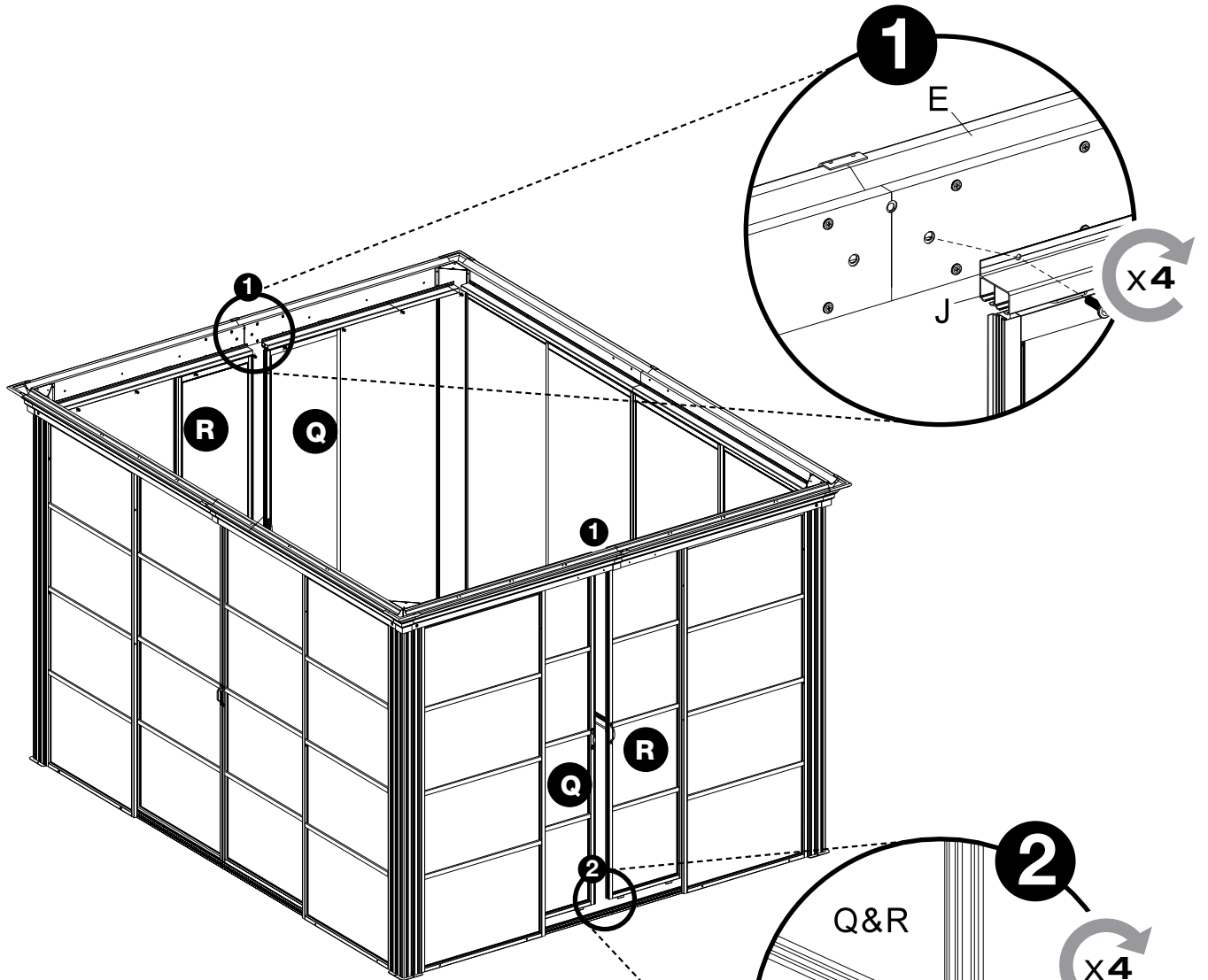
Tools: Power drill, Screwdriver



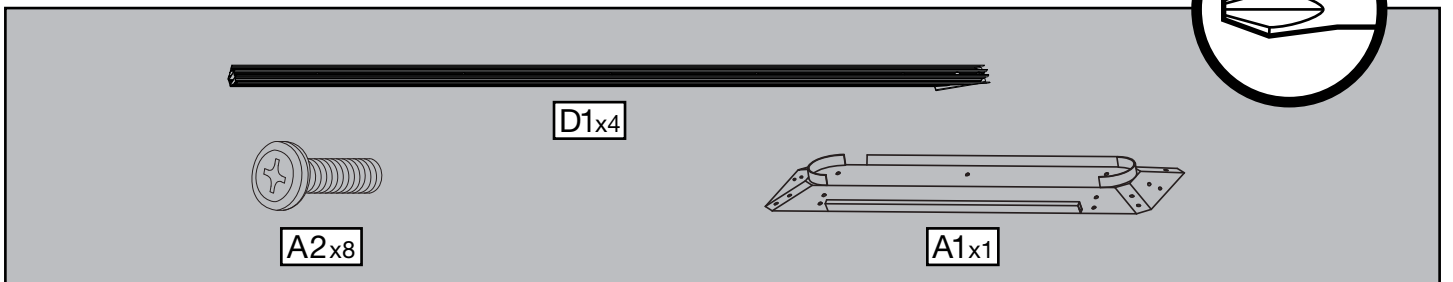
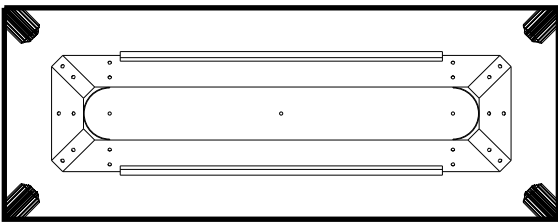
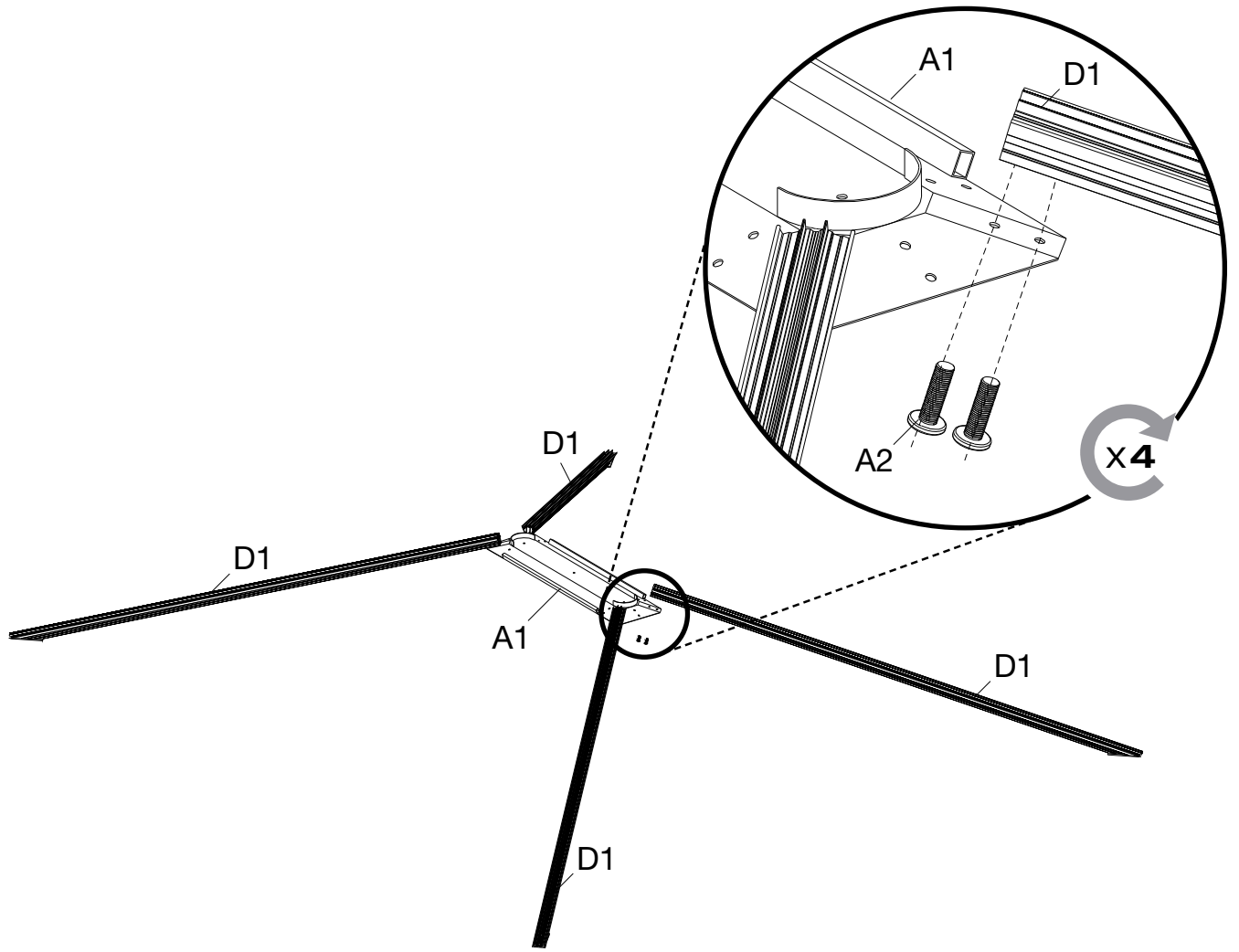


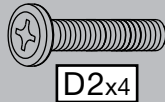
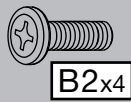
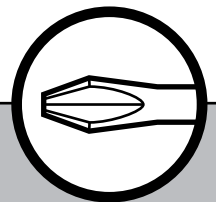
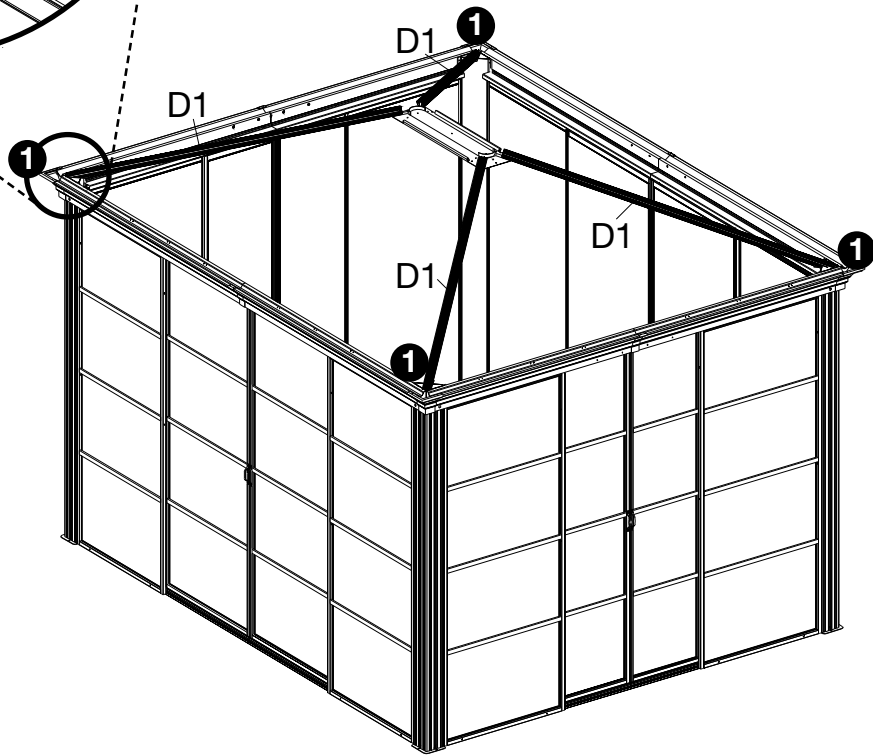
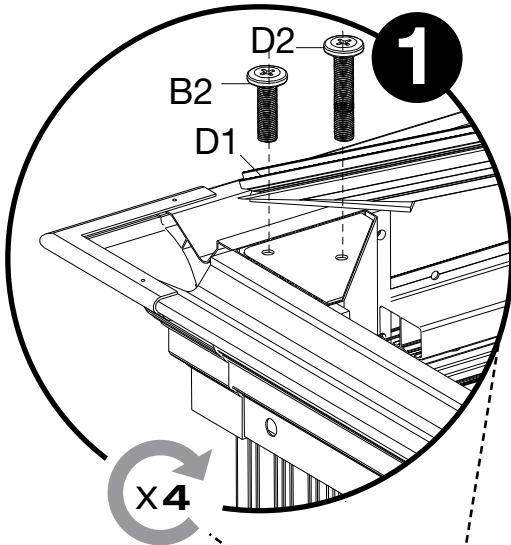
A2x16

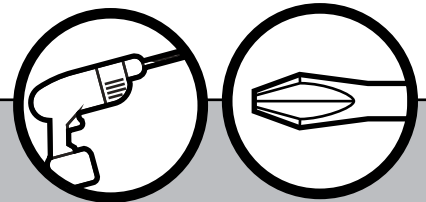
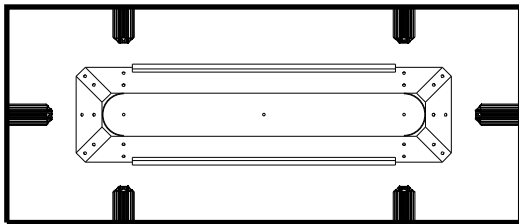
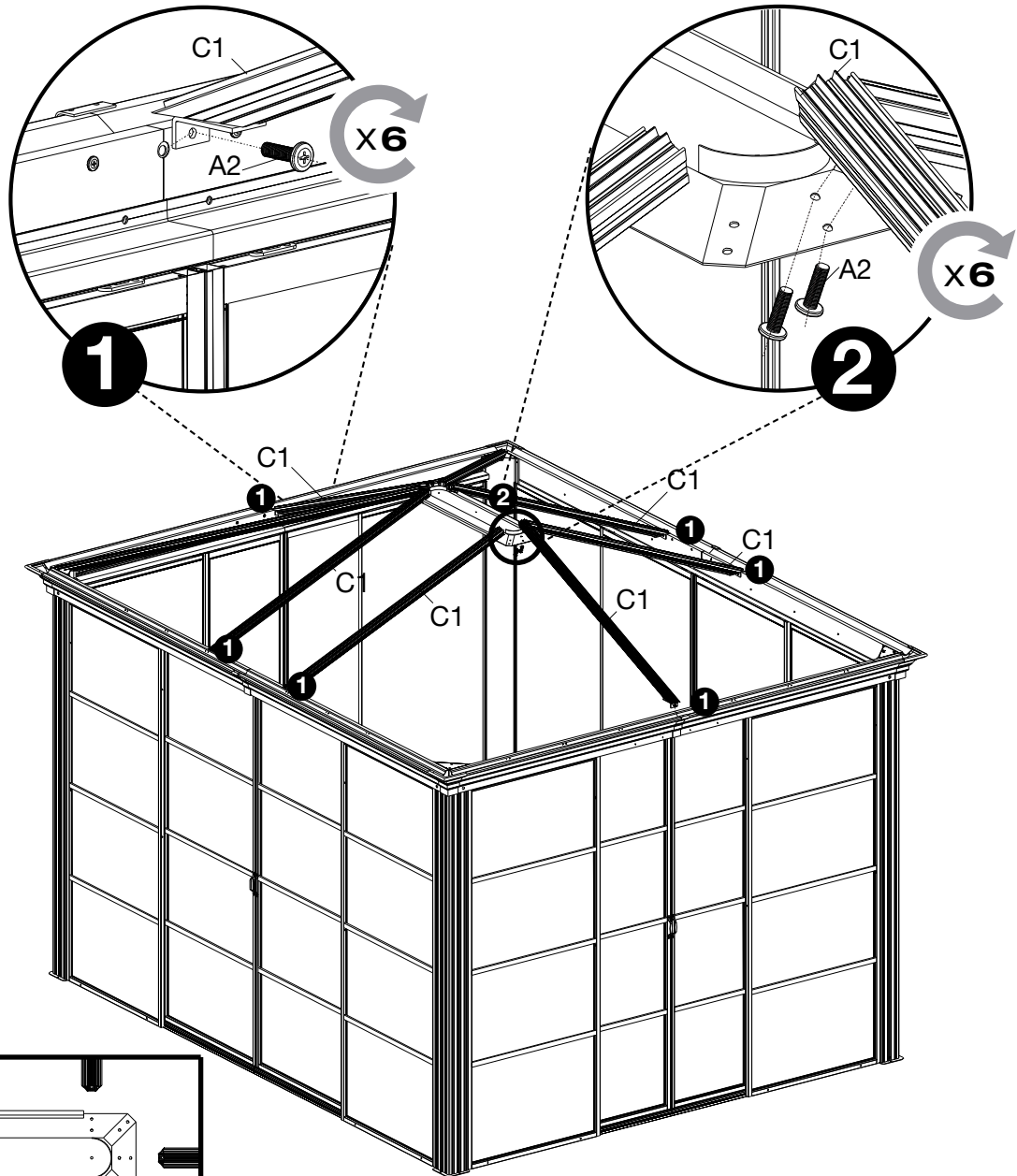




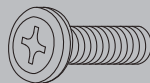
A2x16



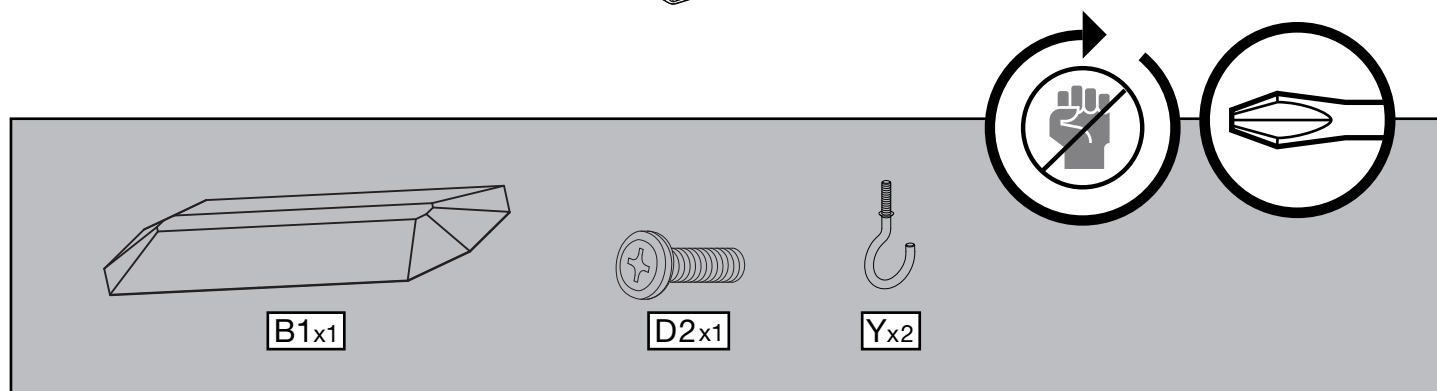
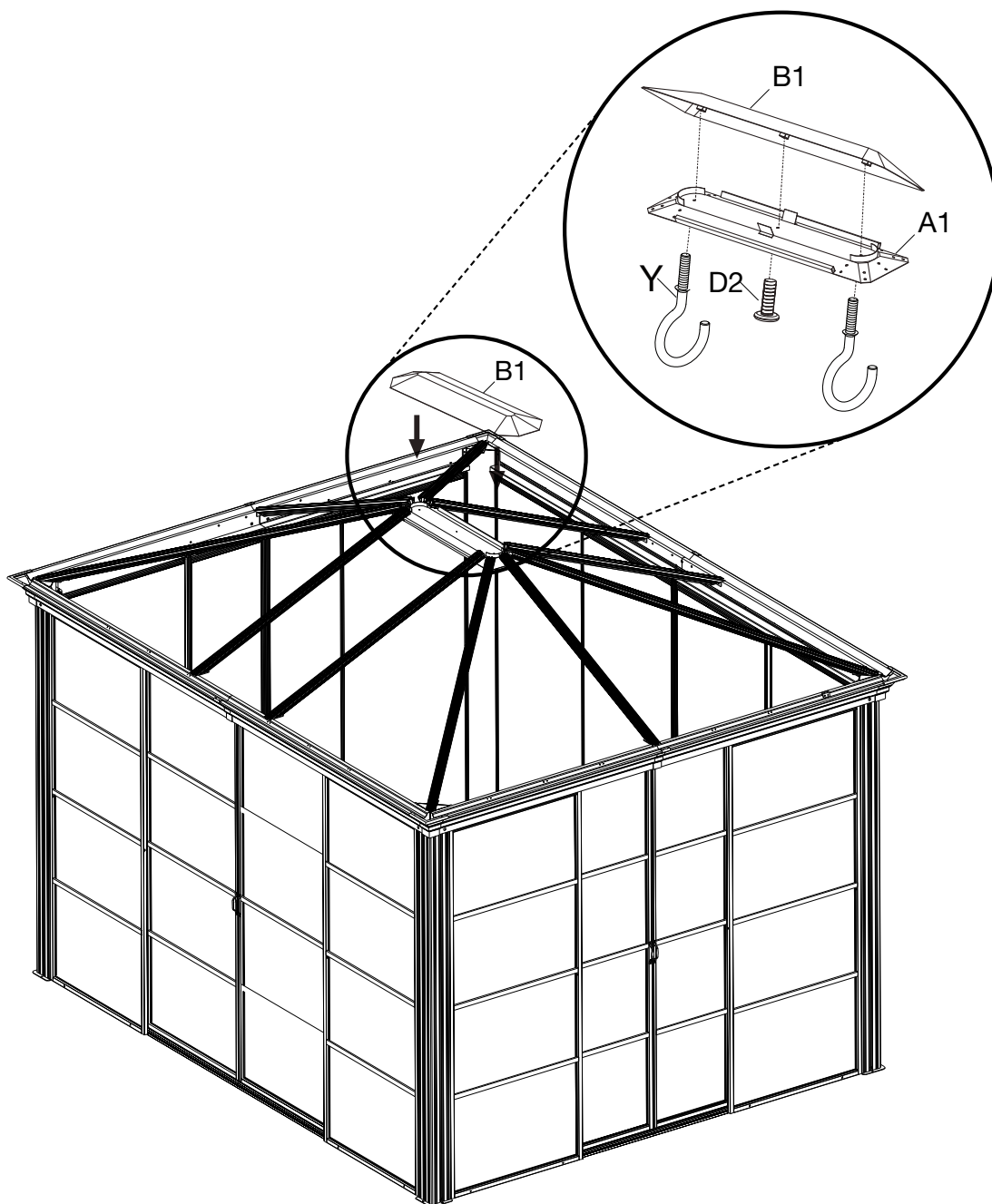


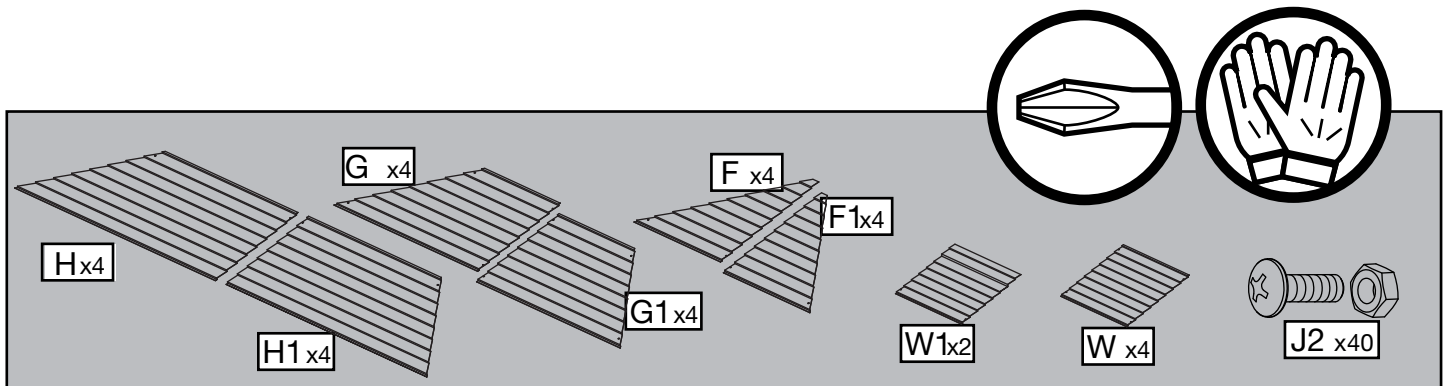
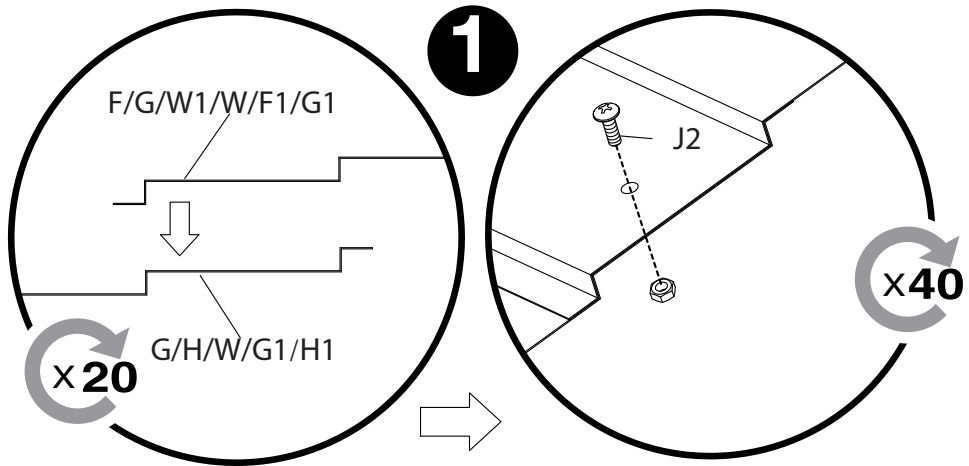
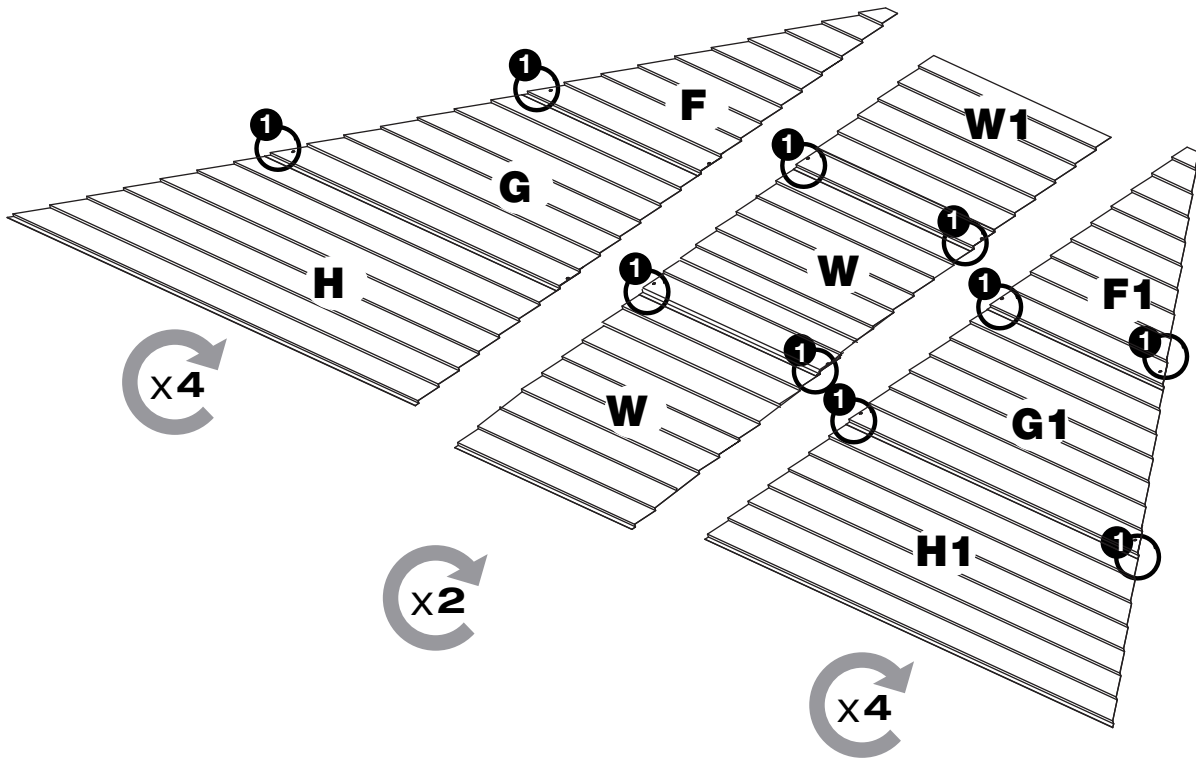


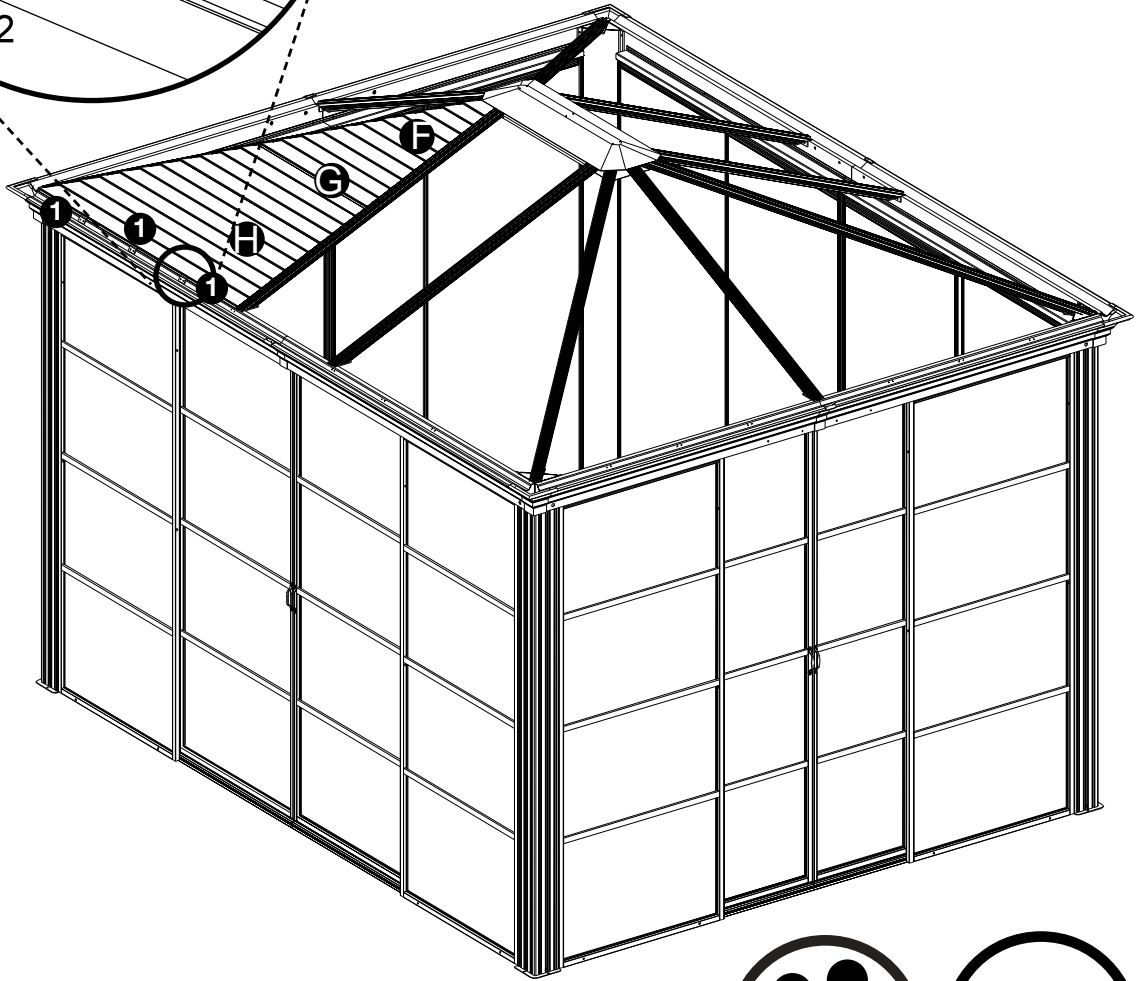
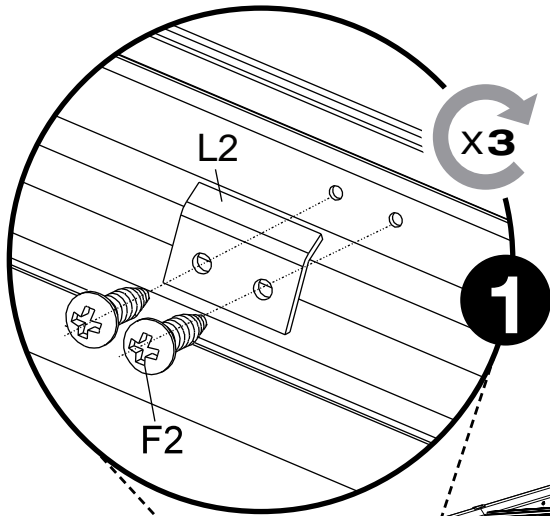
C1 x6



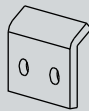
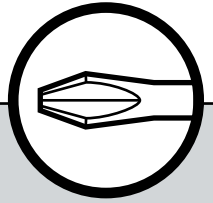
A2 x18



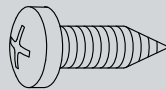




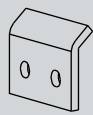
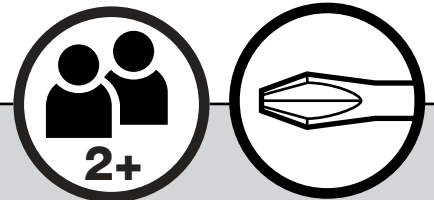
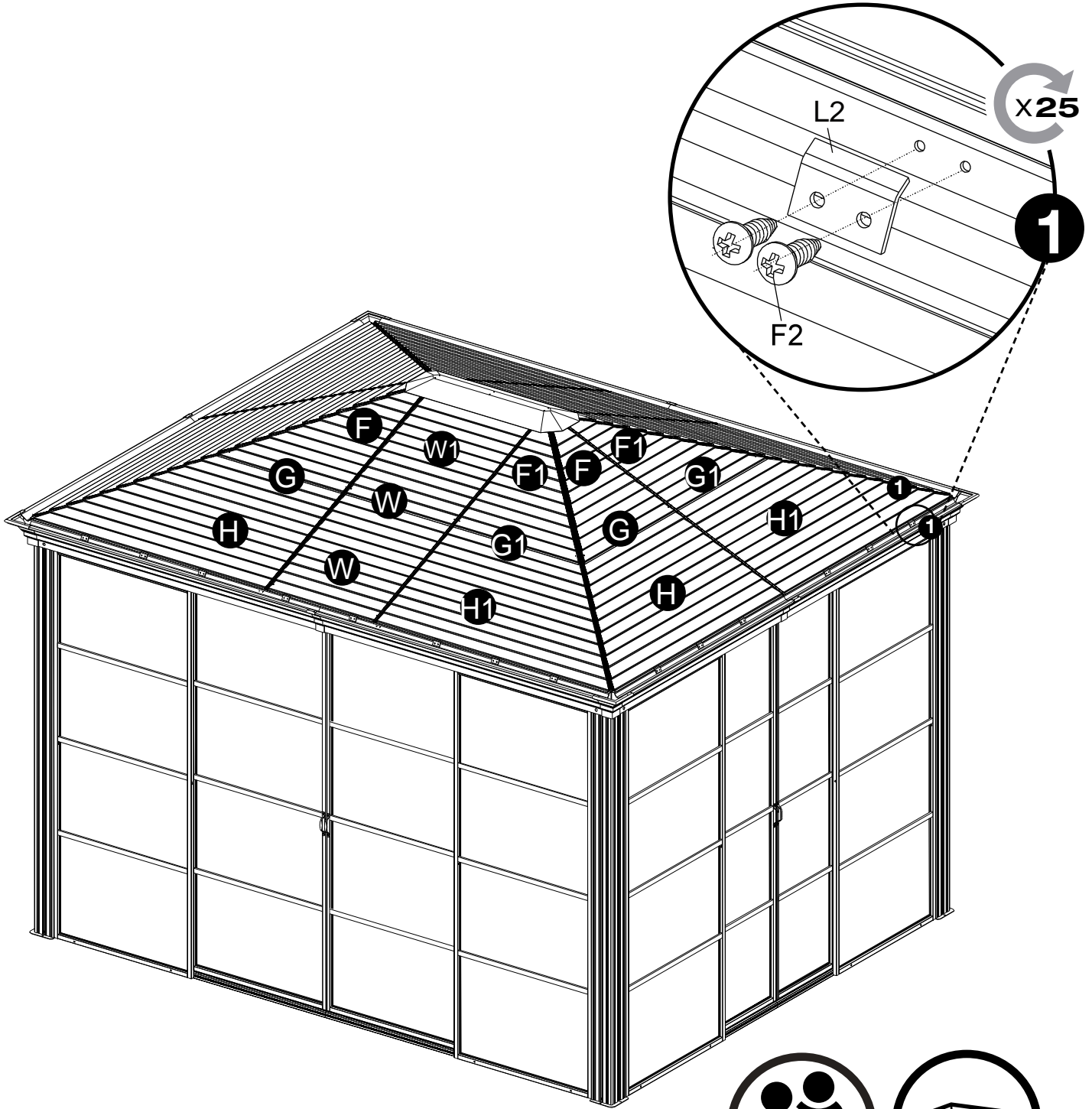
2+



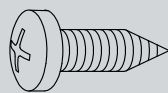
L2x3



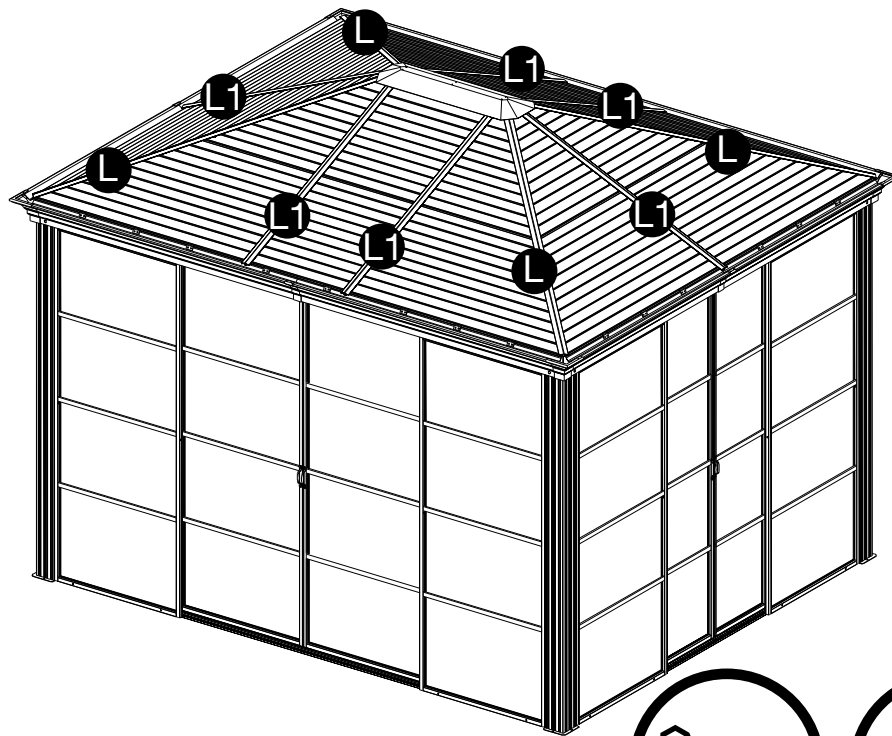
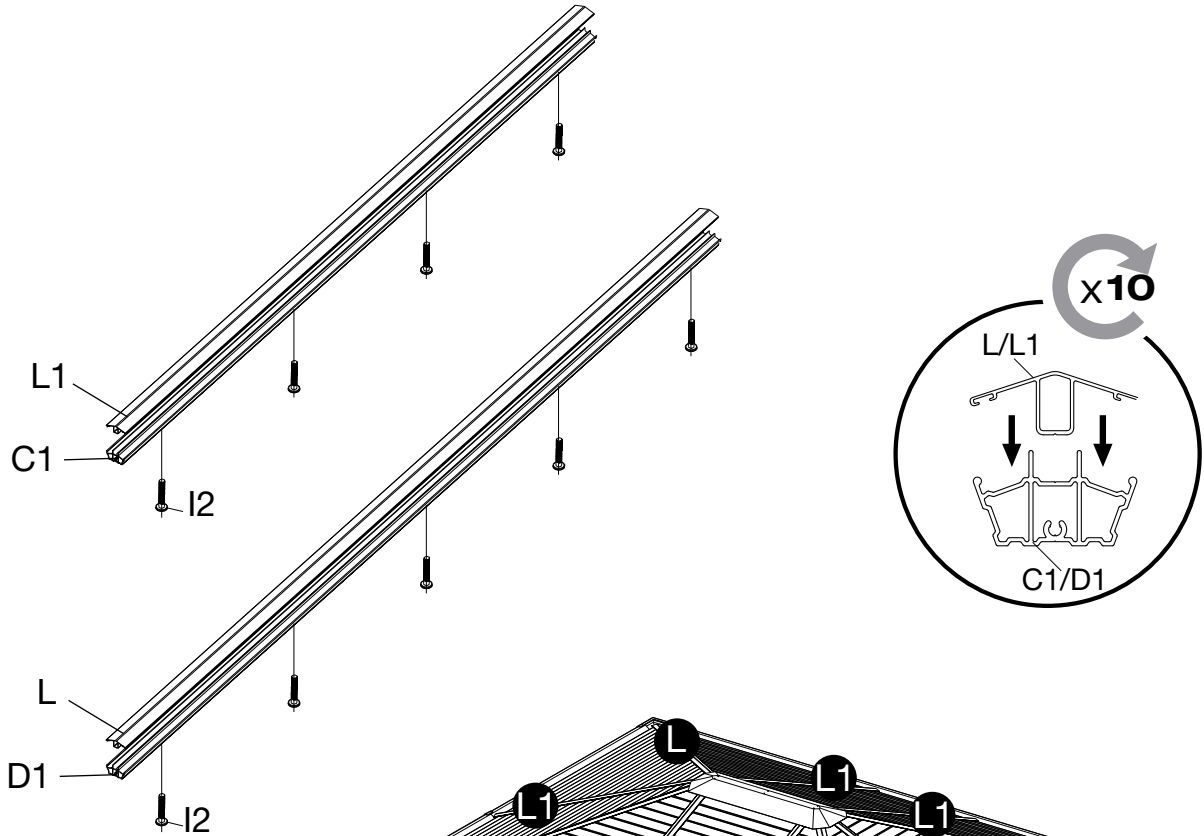
F2x6



L2 x25



F2 x50



SOJAG ■ I
produits saisonniers • seasonal products