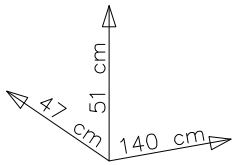
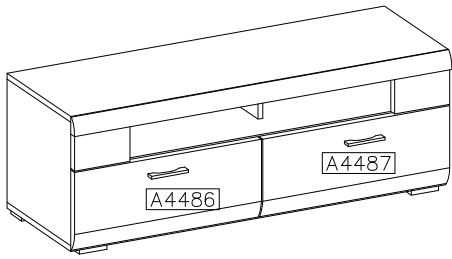
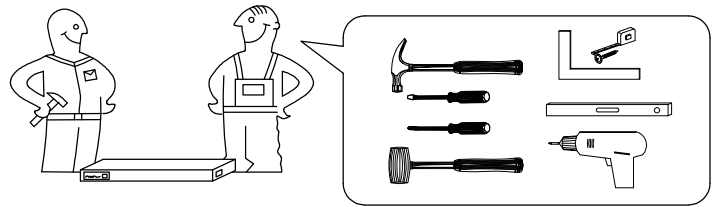
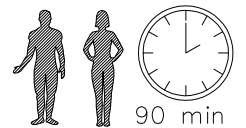
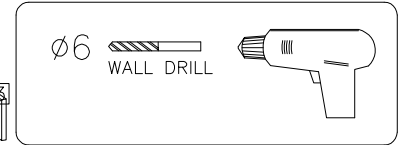
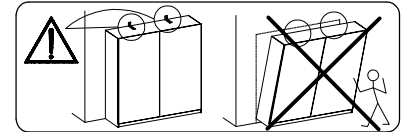
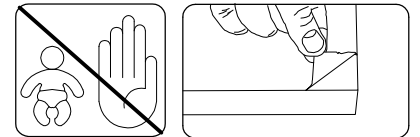
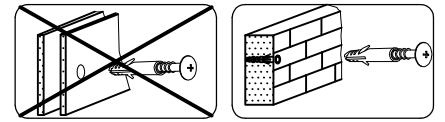
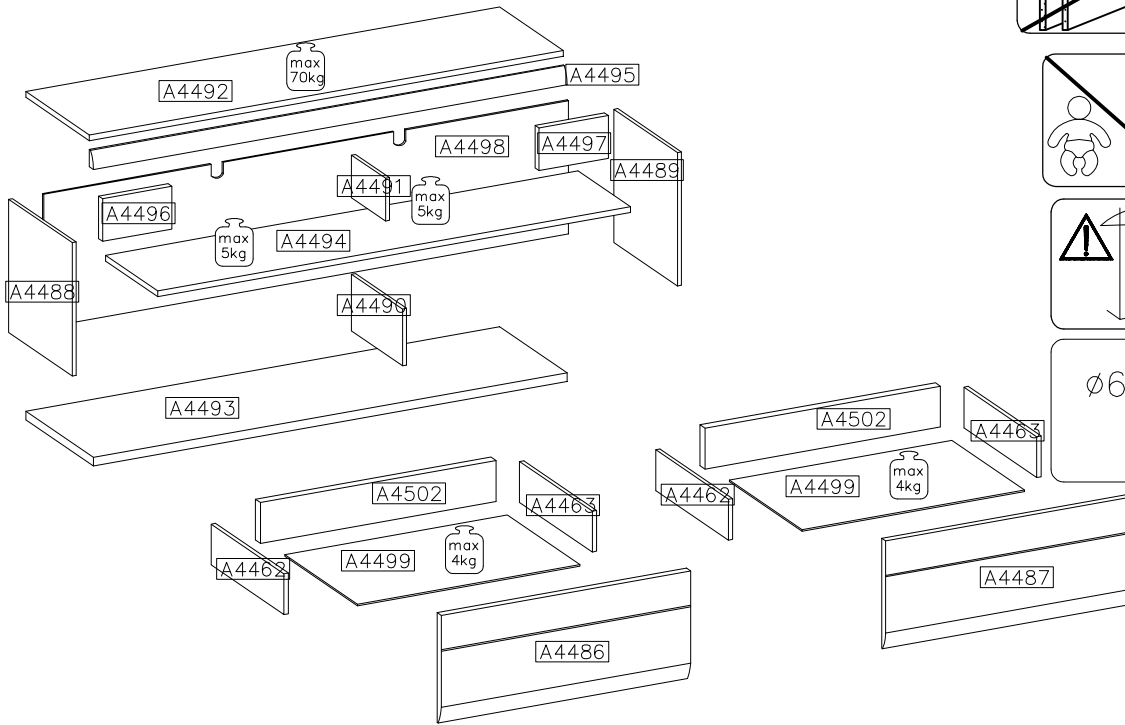
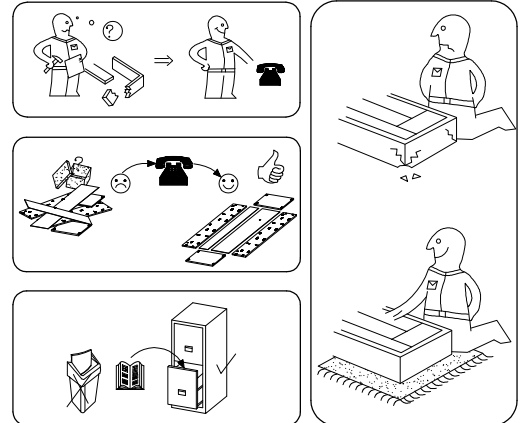


SPIDER PLUS

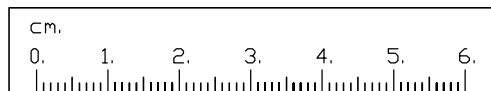
10 J1 HH 31

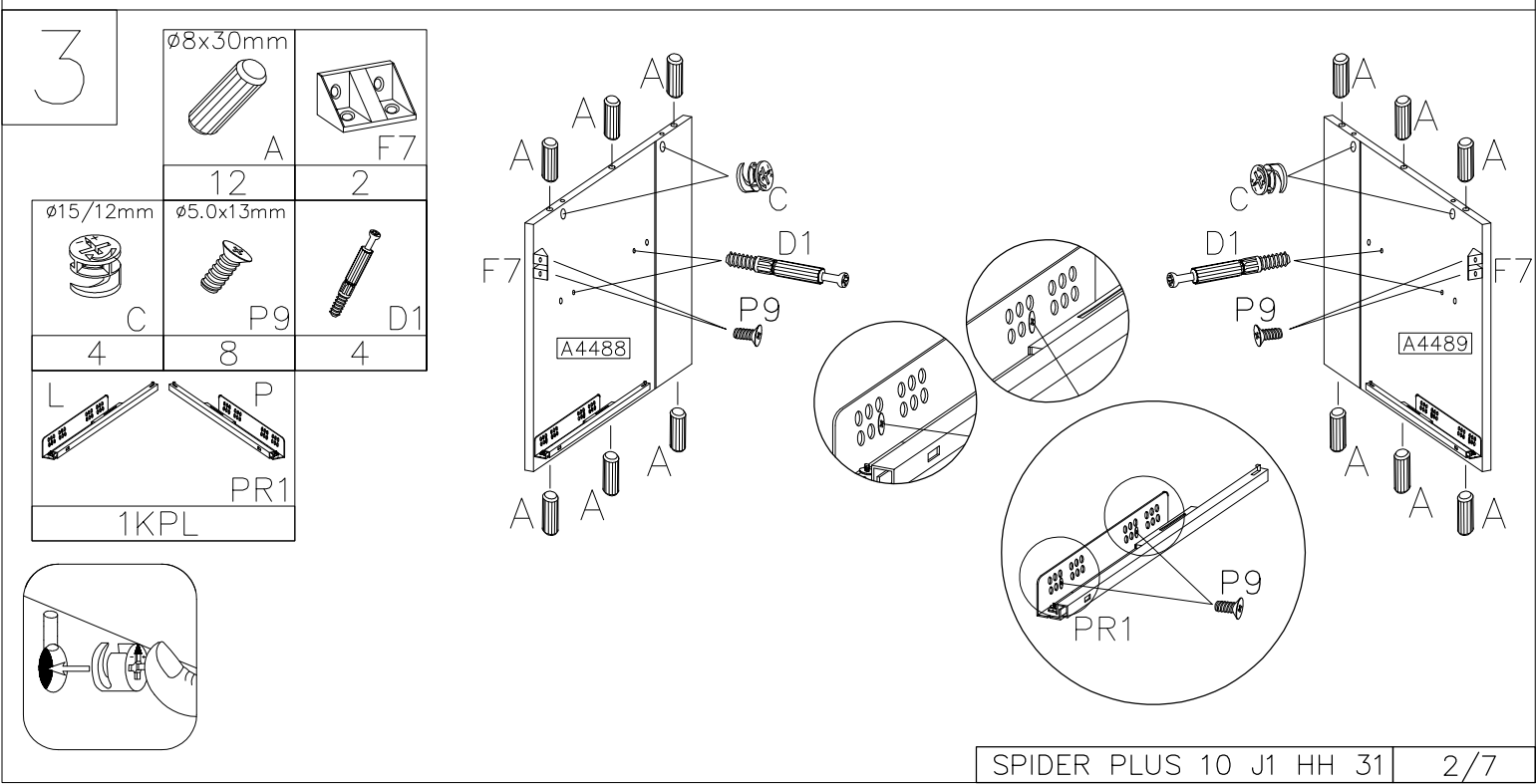
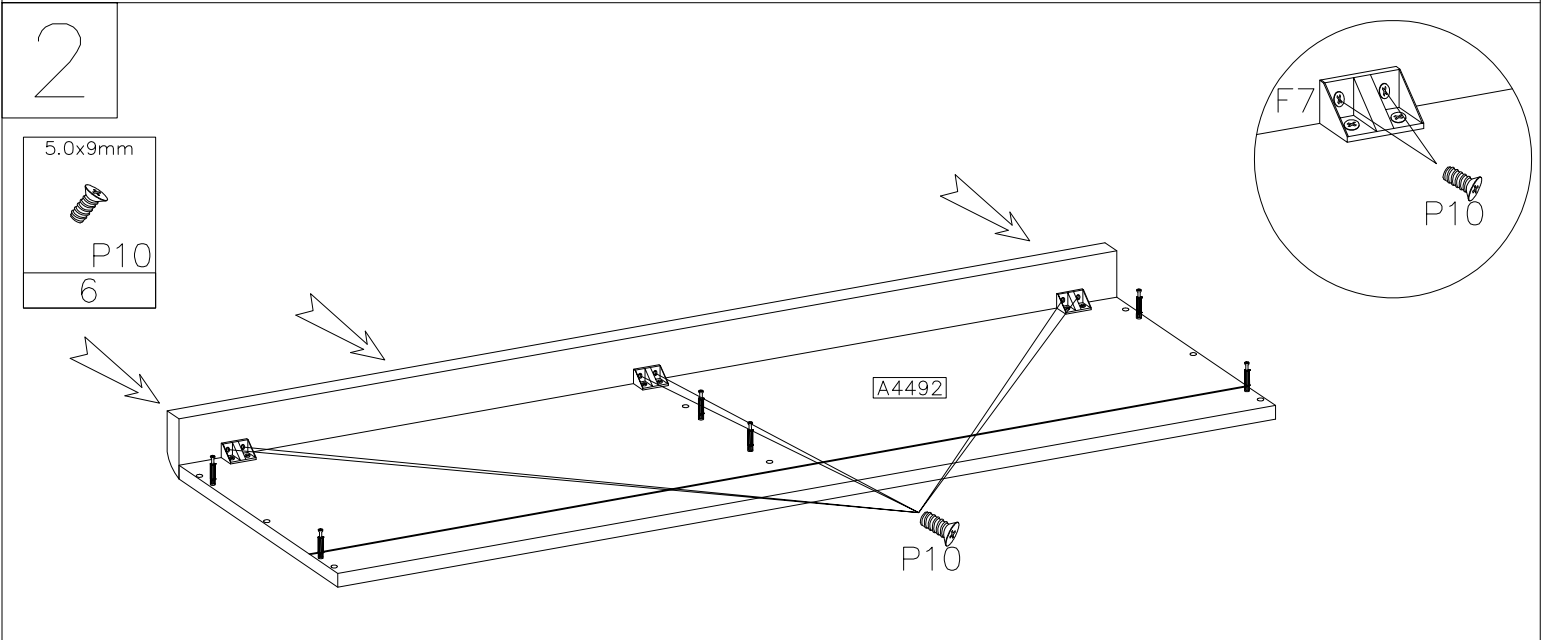
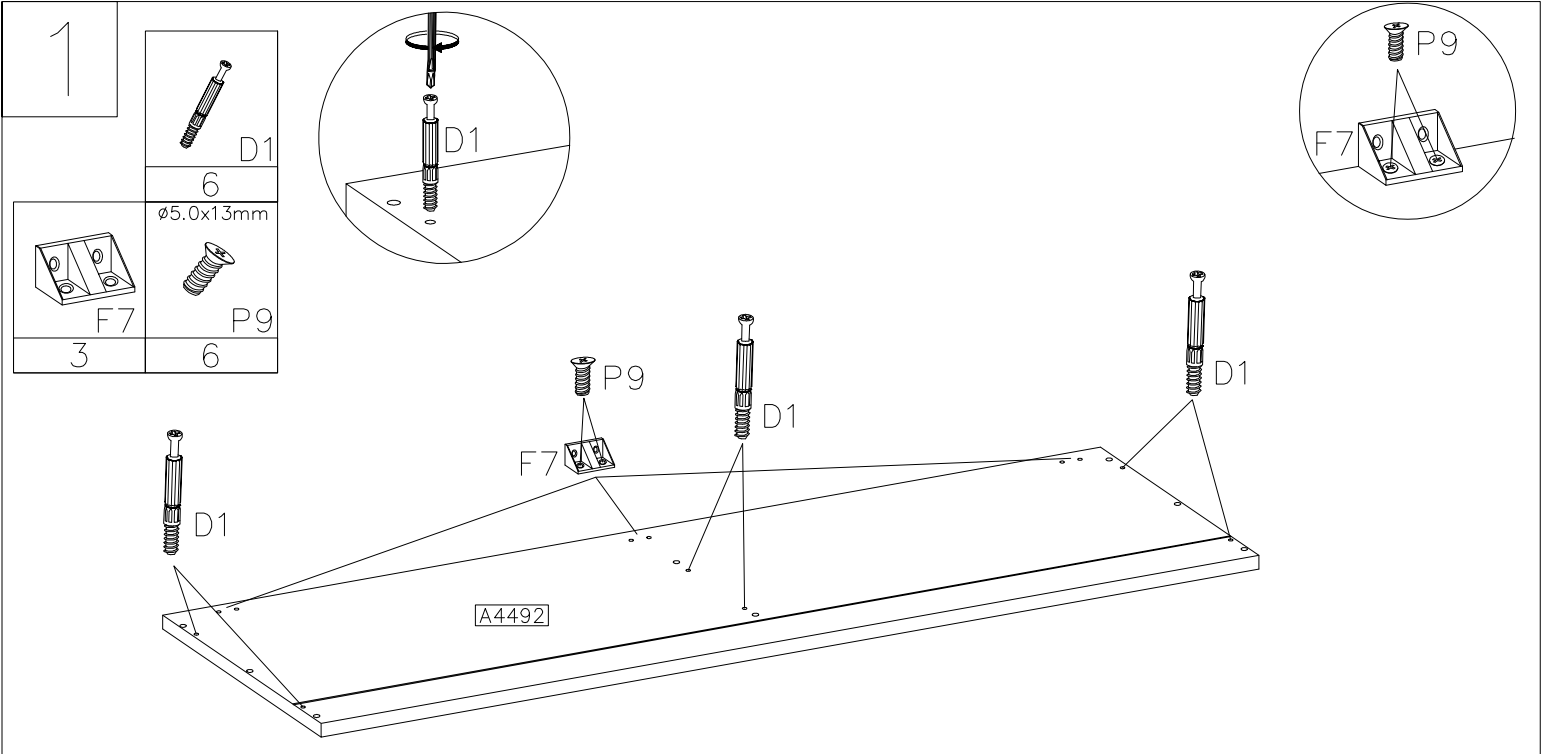


#	ART. NR	L	W	T	Q	Col.No
1	A4488	452	451	16	1	1
2	A4489	452	451	16	1	1
3	A4490	274	371	16	1	1
4	A4491	162	250	16	1	1
5	A4492	1400	451	16	1	1
6	A4493	1400	451	16	1	1
7	A4498	467	1383	2,5	1	1
8	A4499	645	358	2,5	2	2
9	A4462	350	140	16	2	2
10	A4463	350	140	16	2	2
11	A4496	119	198	18	1	2
12	A4497	119	198	18	1	2
13	A4486	300	696	18	1	2
14	A4487	300	696	18	1	2
15	A4494	1367	371	16	1	2
16	A4495	1401	60	19	1	2
17	A4502	635	123	16	2	2


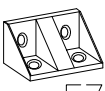



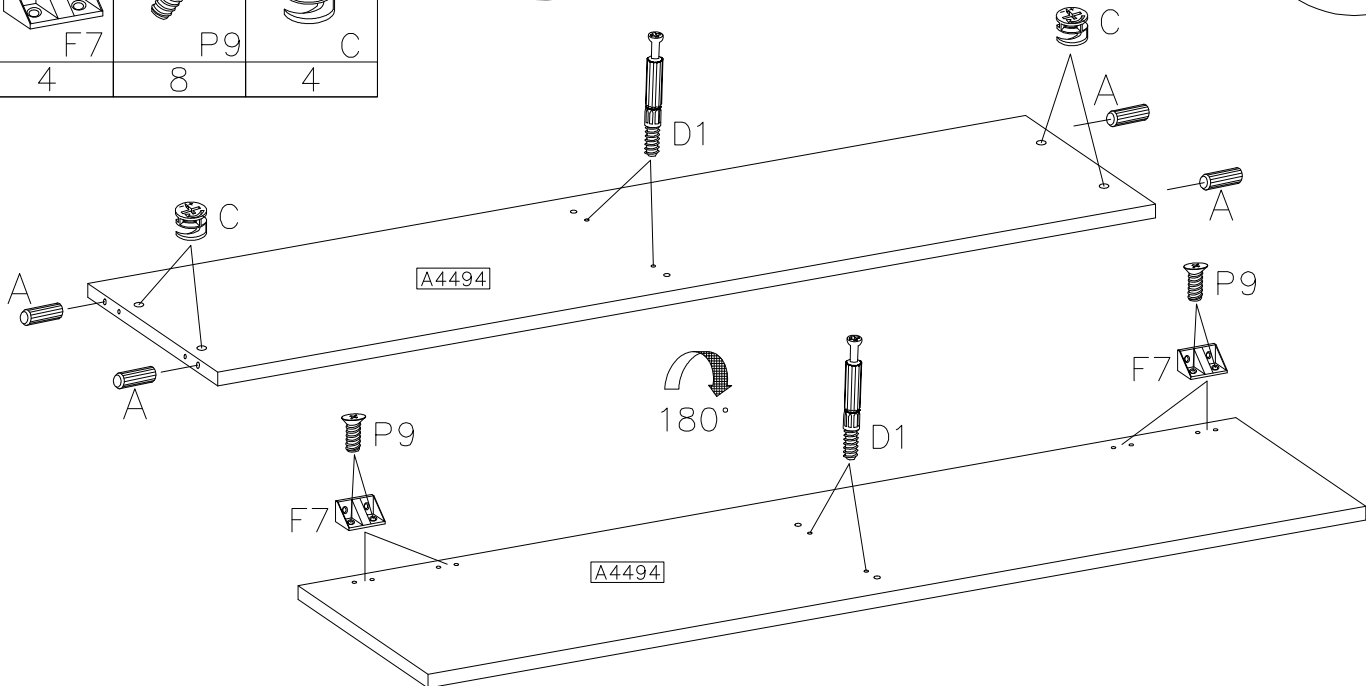
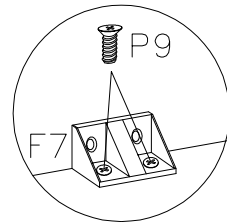
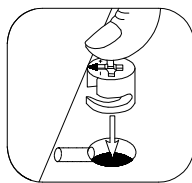
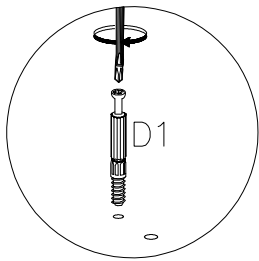
Ø8x30mm A 28	Ø15/12mm B 6	C 18	D1 18	E 18	E1 6	F4 5	F7 9	L P 2KPL PR1		
L 8	N 2	O 1	P1 28	P4 6	P3 20	P7 4	P10 18	P9 26	R2 4	S1 2
			U 8	Ø6.0x50mm Z 2		Z3 2				



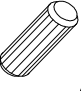


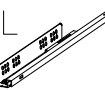
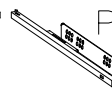


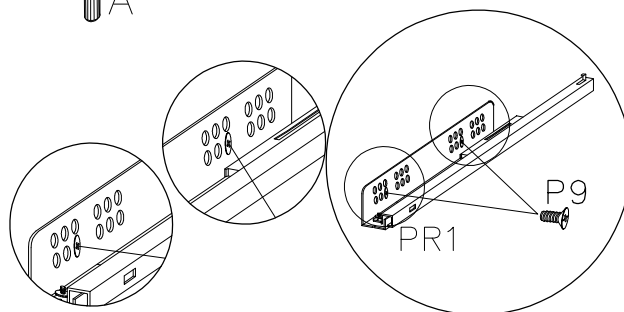
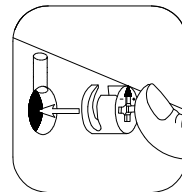
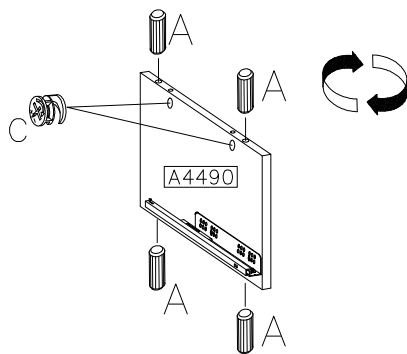
4

	$\varnothing 8 \times 30 \text{mm}$
D1	A
4	4
	$\varnothing 5.0 \times 13 \text{mm}$
F7	P9
4	8
	$\varnothing 15 / 12 \text{mm}$
	C
4	4

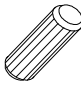



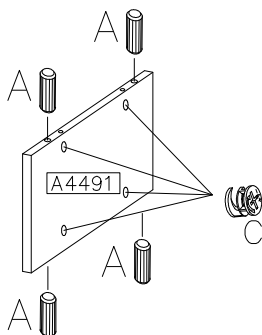
5

	$\varnothing 8 \times 30 \text{mm}$
A	
4	
	$\varnothing 15 / 12 \text{mm}$
C	
2	
	$\varnothing 5.0 \times 13 \text{mm}$
	P9
4	
	
	PR1
1KPL	

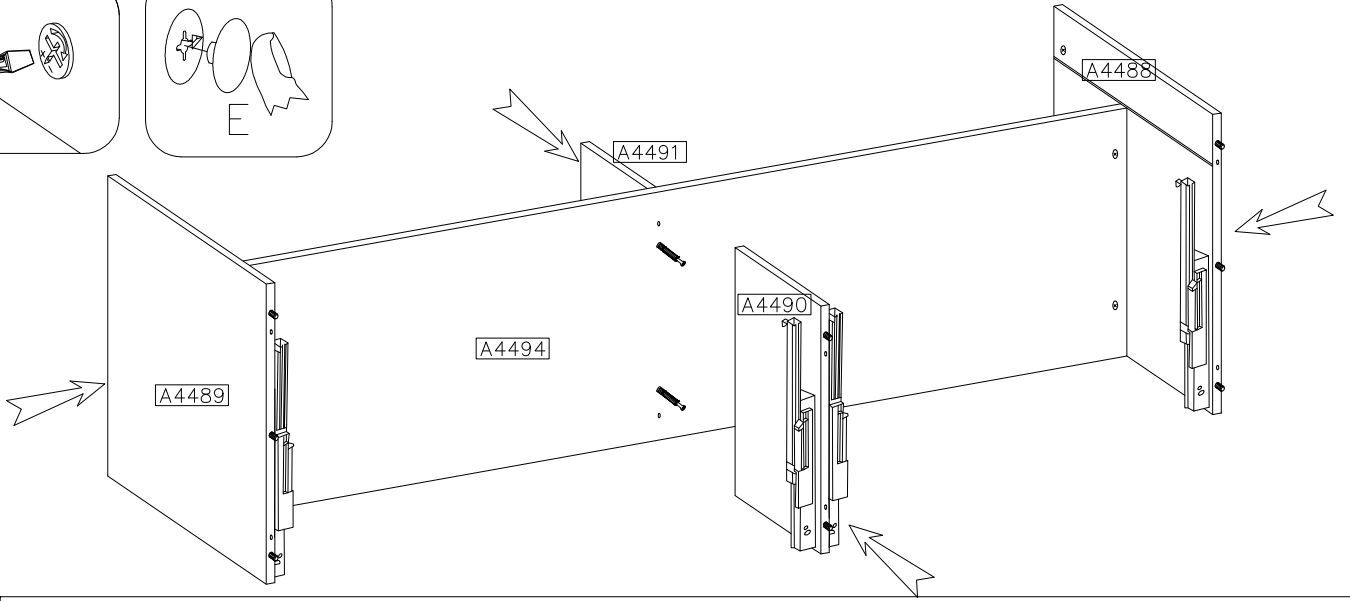
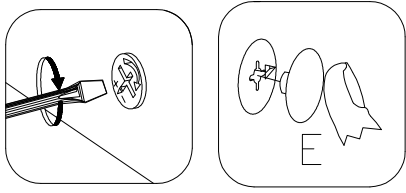
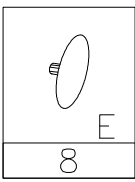


6

	$\varnothing 8 \times 30 \text{mm}$
A	
4	
	$\varnothing 15 / 12 \text{mm}$
	C
4	



7



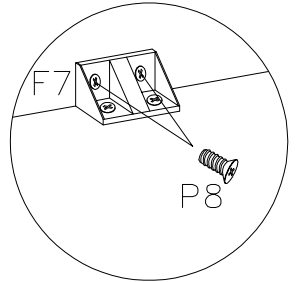
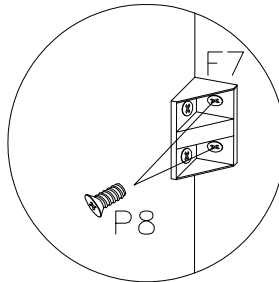
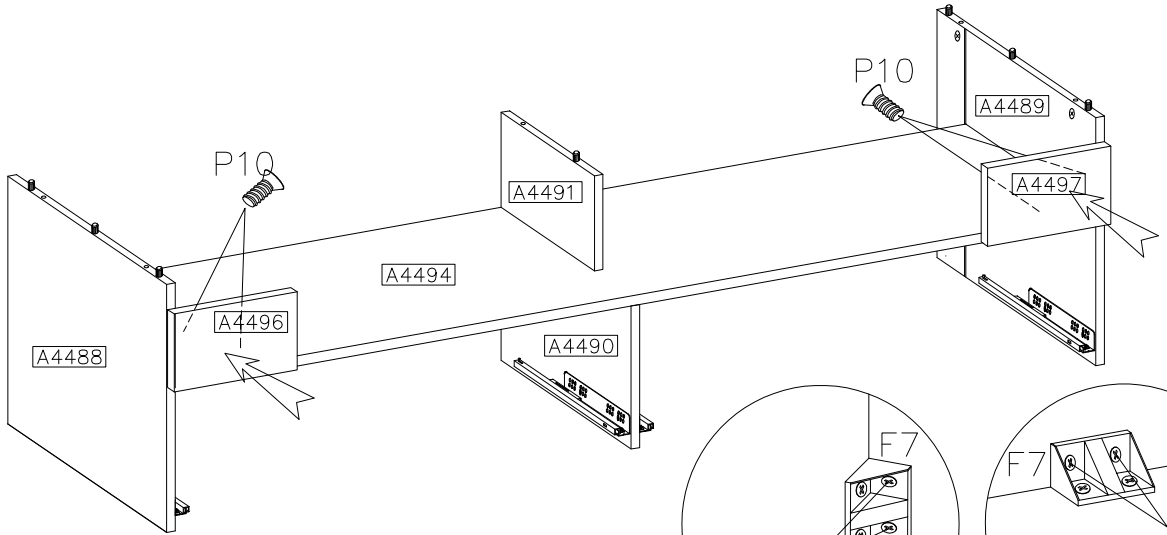
8

5.0x9mm

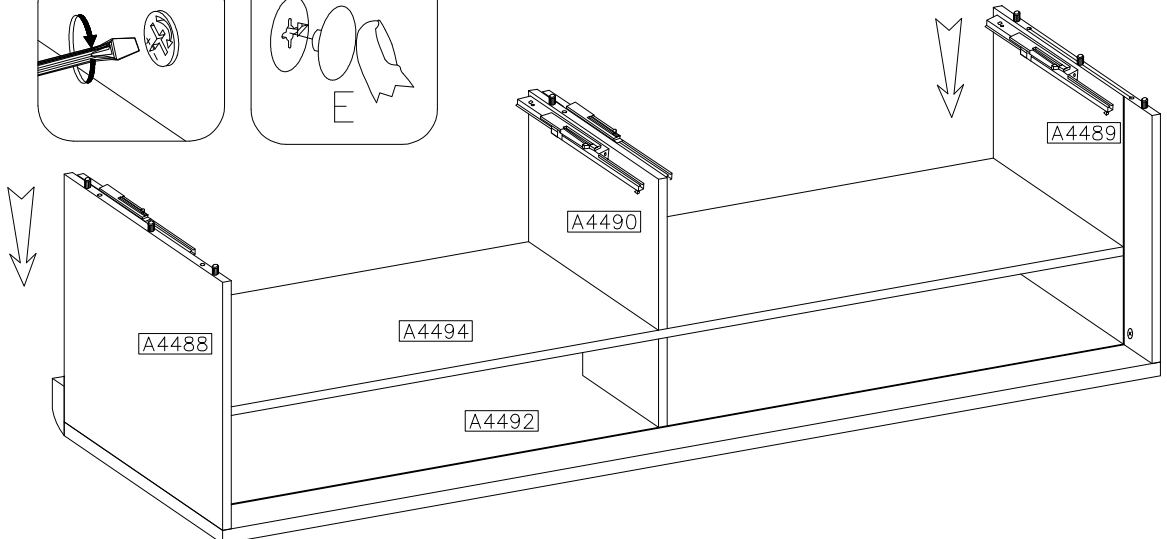
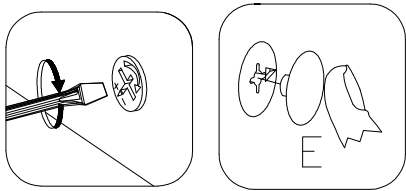
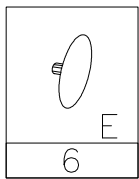


P10




12

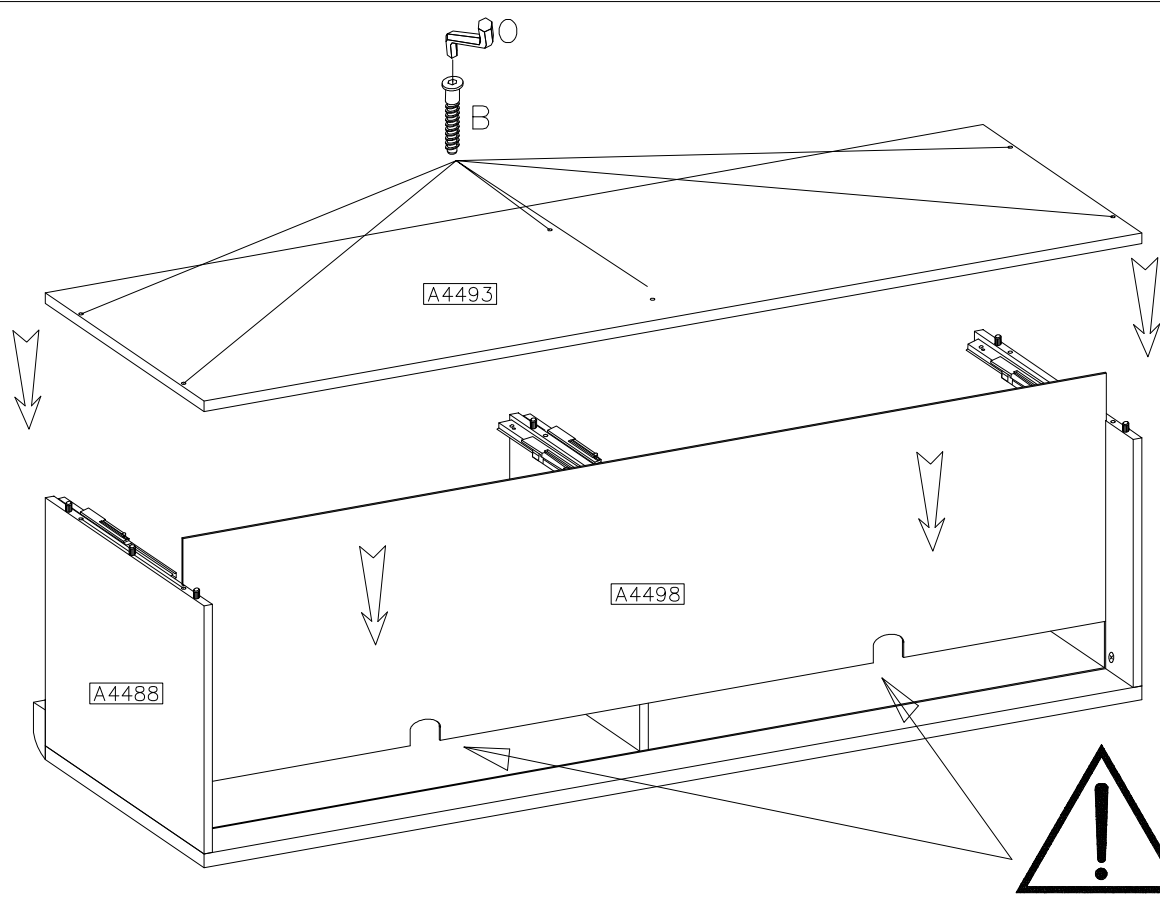


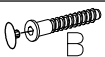
9



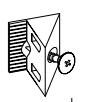
10

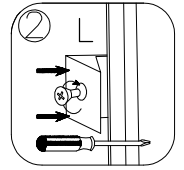
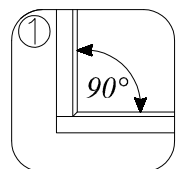
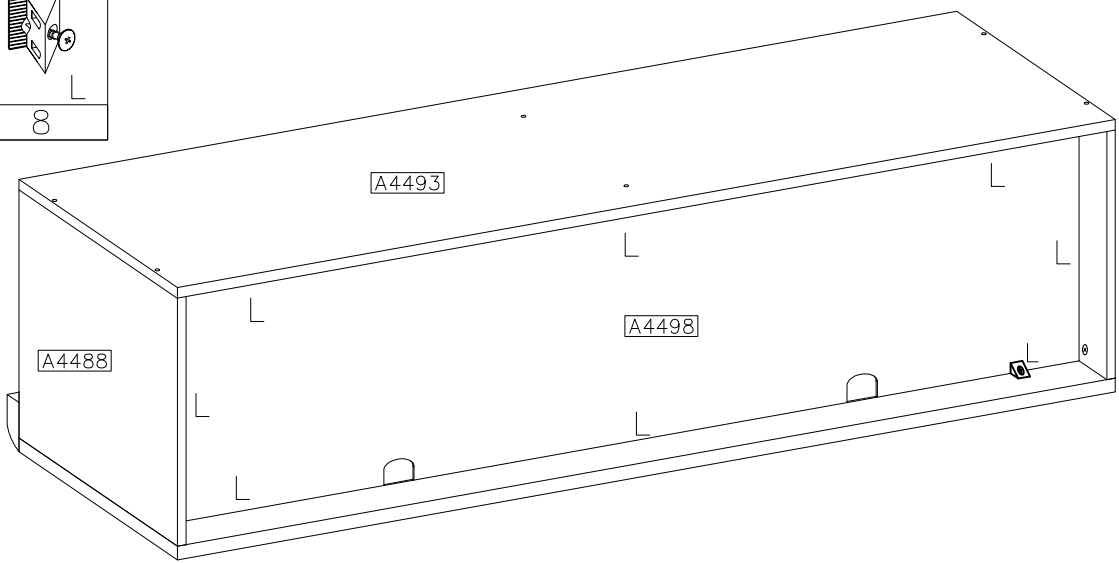
-  B
- 6
-  O
- 6
-  E1
- 6



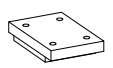

-  E1
- B

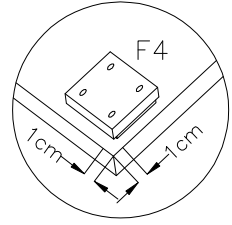
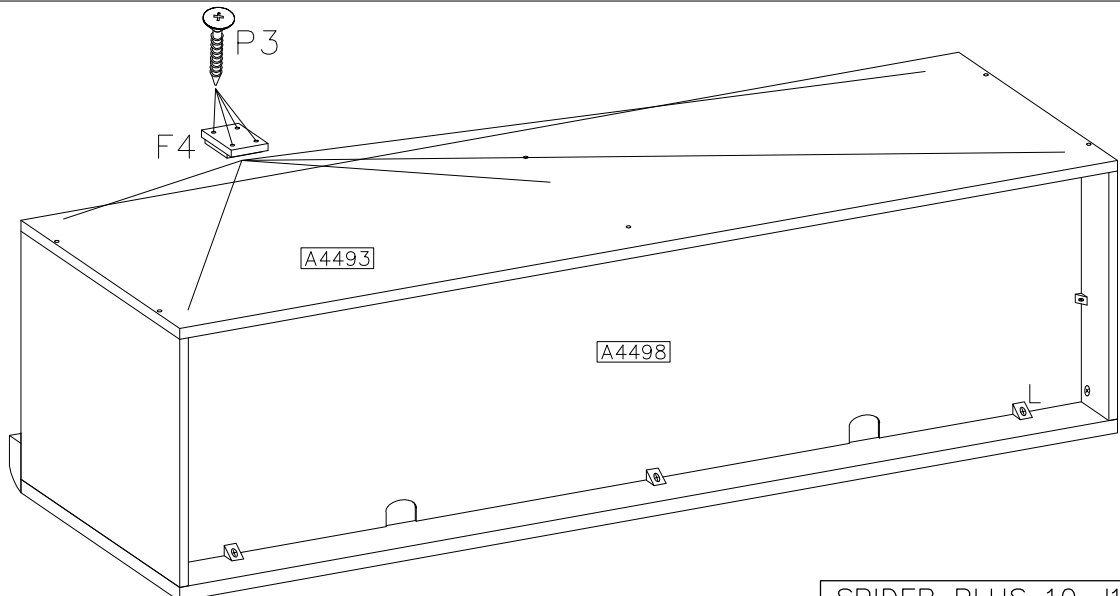
11

-  L
- 8



12

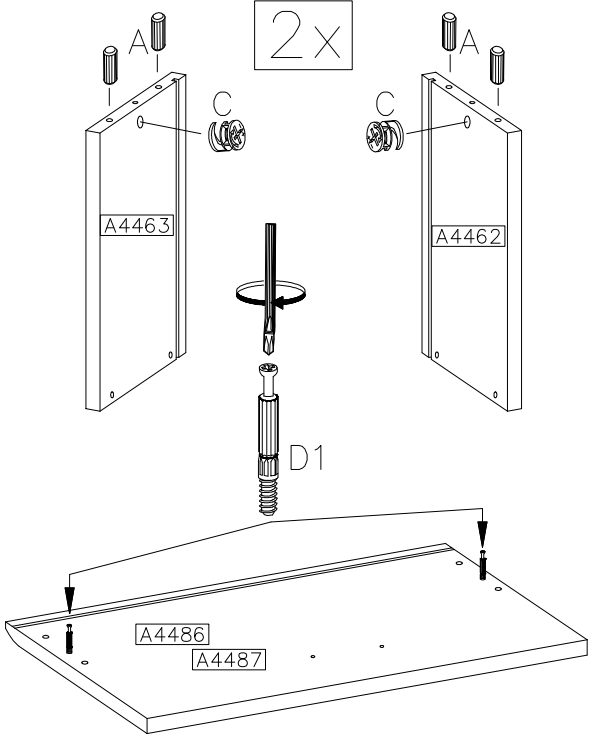
-  F4
- 5
- $\varnothing 4.0 \times 30 \text{mm}$
-  P3
- 20



13

2x

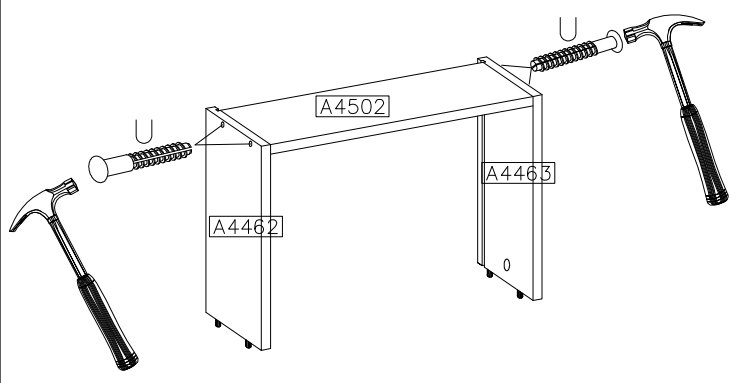
- ø8x30mm
A
8
- ø15/12mm
C
4
- D1
4



14

2x

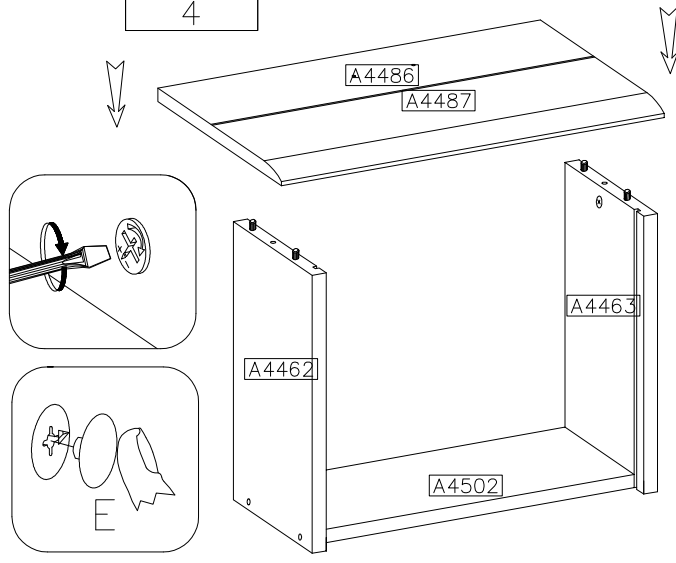
- U
8



15

2x

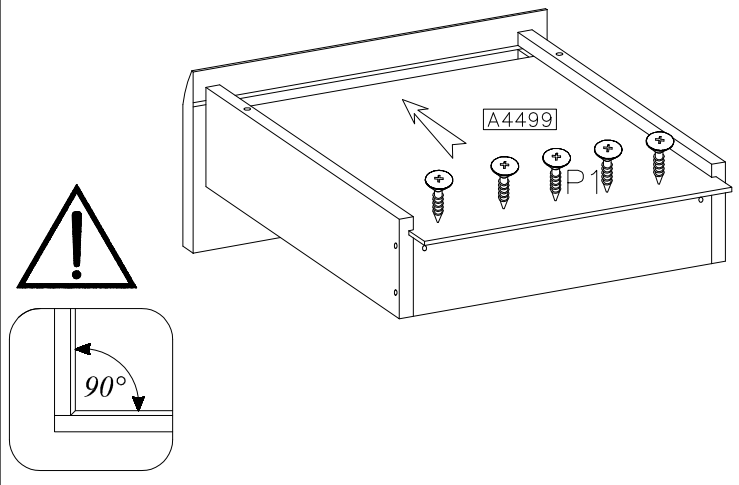
- E
4



16

2x

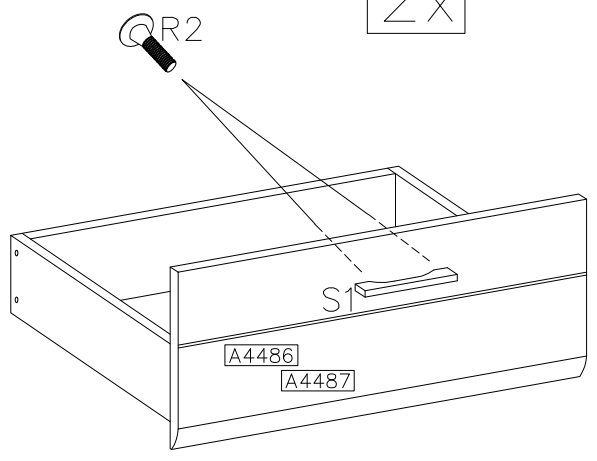
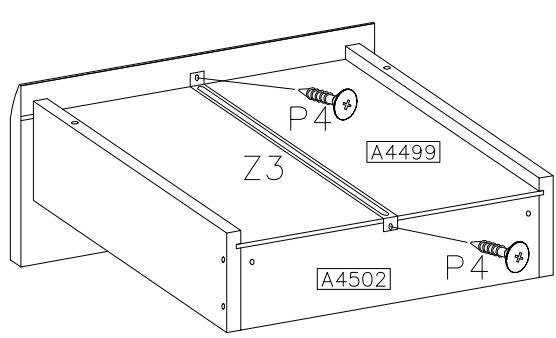
- ø3.0x16mm
P1
28




17

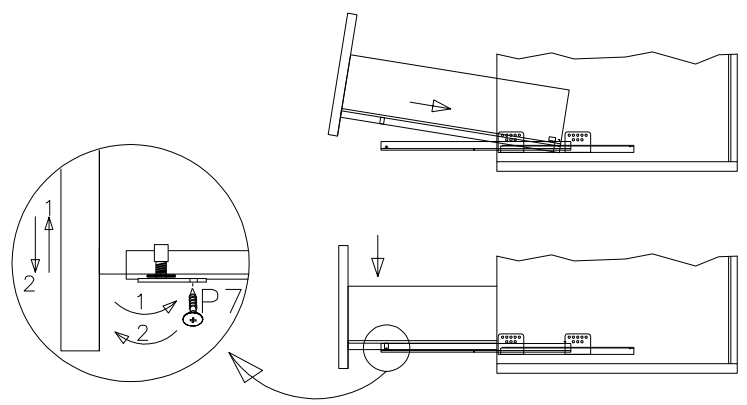
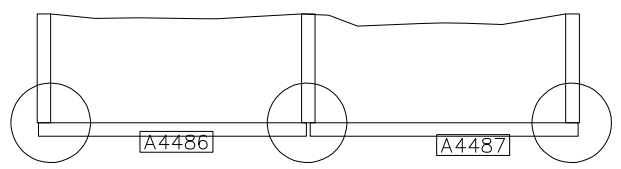
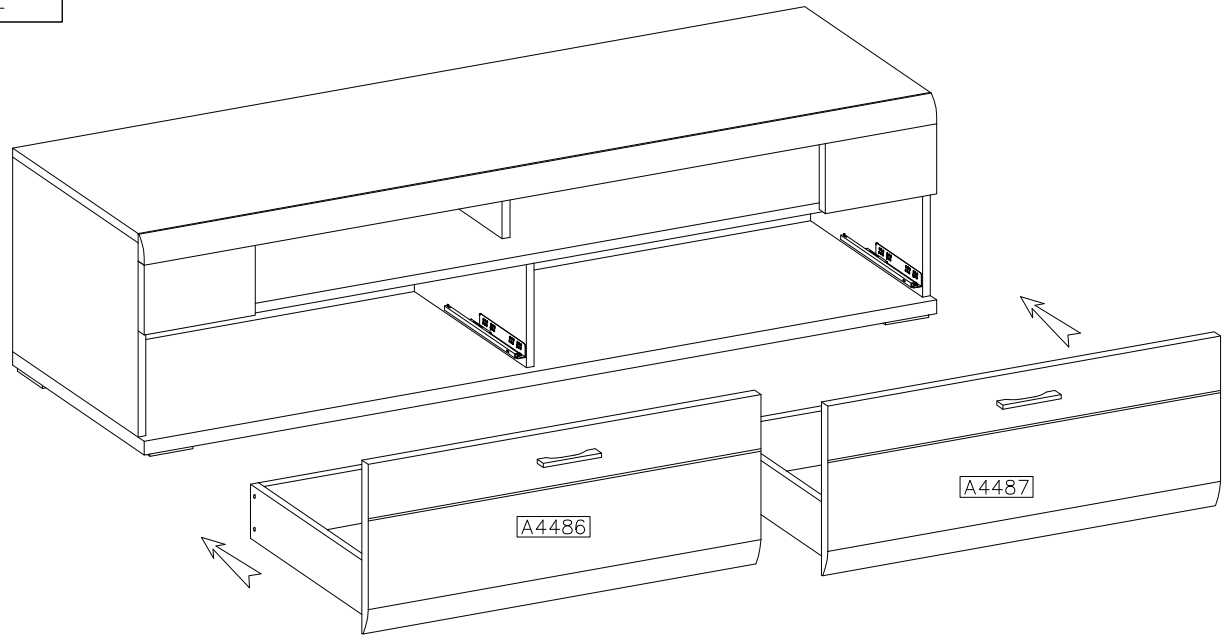
2x

- S1
2
- M4.0x22mm R2
4
- ø3.5x16mm P4
4
- Z3
2




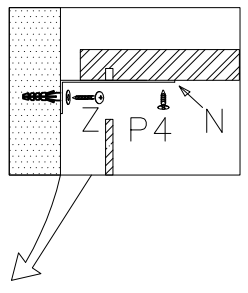
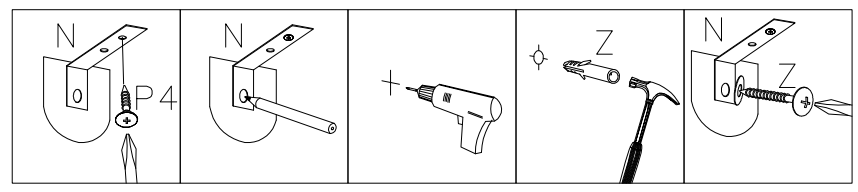
18




ø3.0x20mm

 P7
 4





19

ø6.0x50mm

 Z
 2



ø6 WALL DRILL


 ⊕


ø3.5x16mm  P4 2	 N 2
---	---

