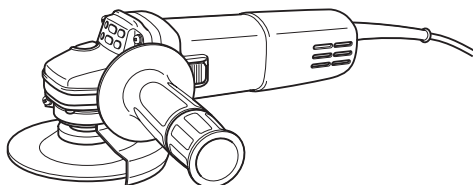




EN	Angle Grinder	INSTRUCTION MANUAL	5
FR	Meuleuse d'Angle	MANUEL D'INSTRUCTIONS	12
DE	Winkelschleifer	BETRIEBSANLEITUNG	20
IT	Smerigliatrice angolare	ISTRUZIONI PER L'USO	28
NL	Haakse slijpmachine	GEBRUIKSAANWIJZING	36
ES	Esmeriladora Angular	MANUAL DE INSTRUCCIONES	44
PT	Esmerilhadeira Angular	MANUAL DE INSTRUÇÕES	52
DA	Vinkelsliber	BRUGSANVISNING	60
EL	Γωνιακός λειαντήρας	ΕΓΧΕΙΡΙΔΙΟ ΟΔΗΓΙΩΝ	68
TR	Taşlama Makinası	KULLANMA KILAVUZU	77

9557HNR
9558HNR



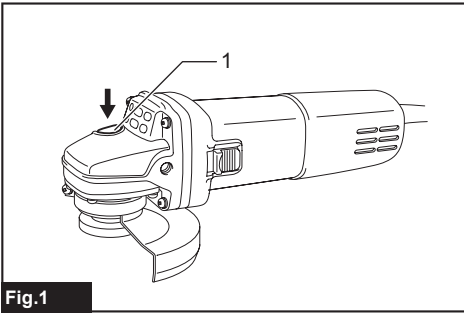


Fig.1

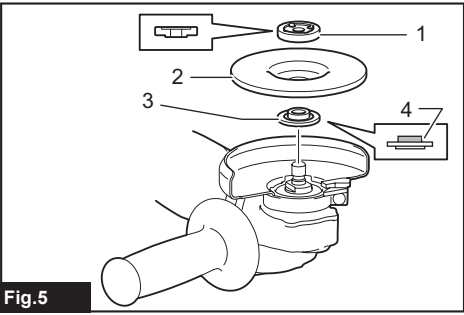


Fig.5

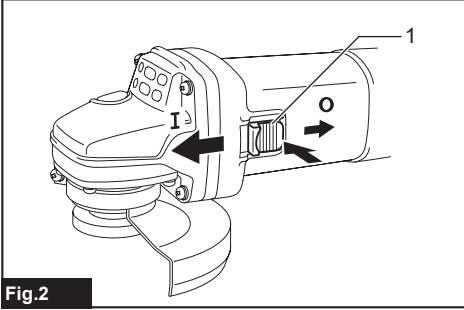


Fig.2

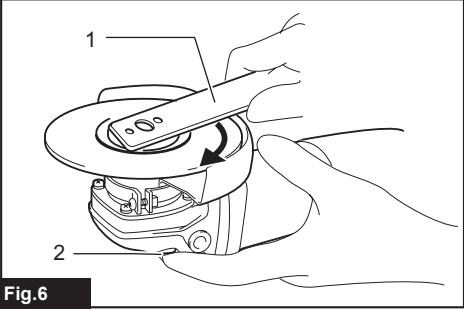


Fig.6

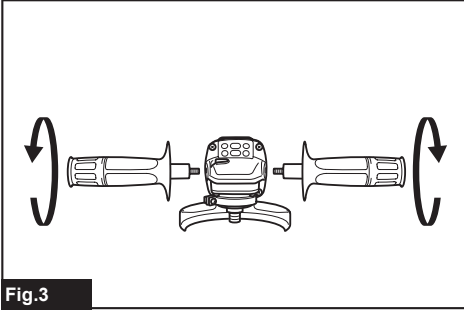


Fig.3

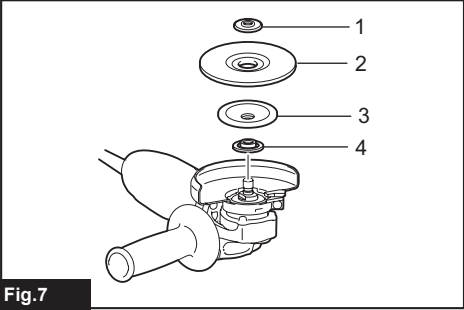


Fig.7

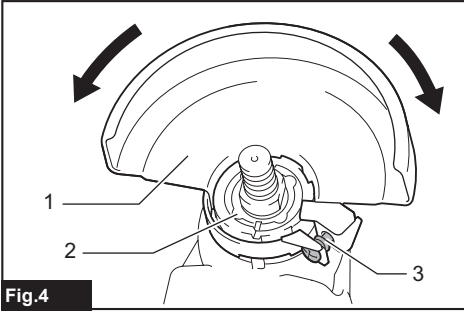


Fig.4

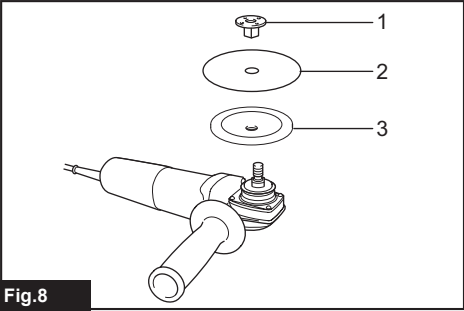
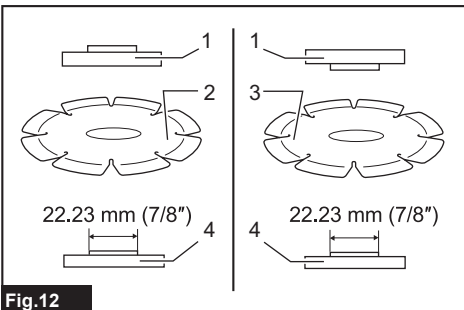
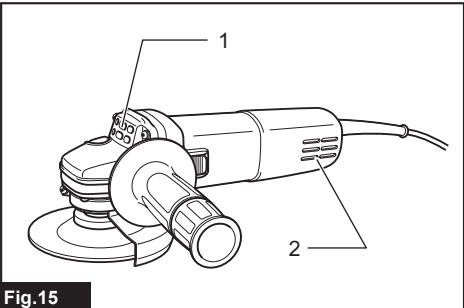
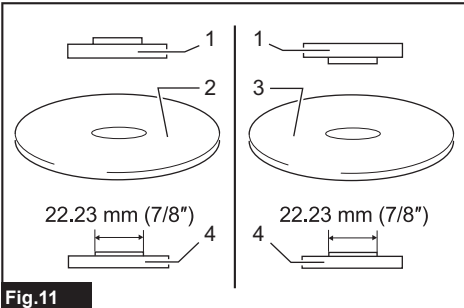
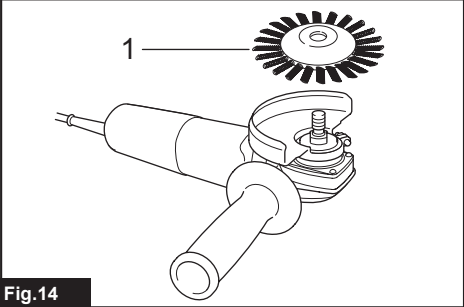
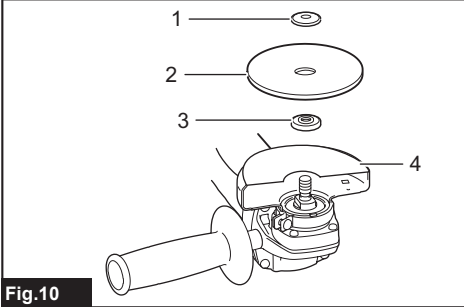
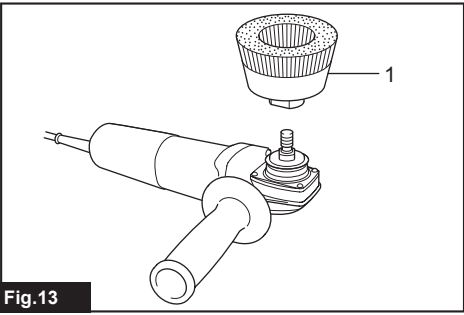
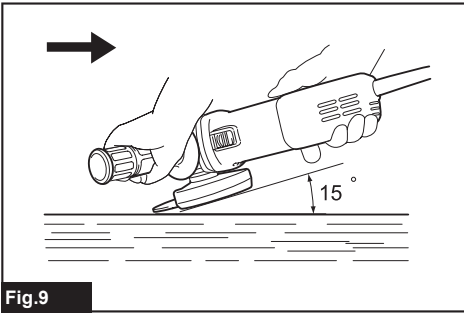
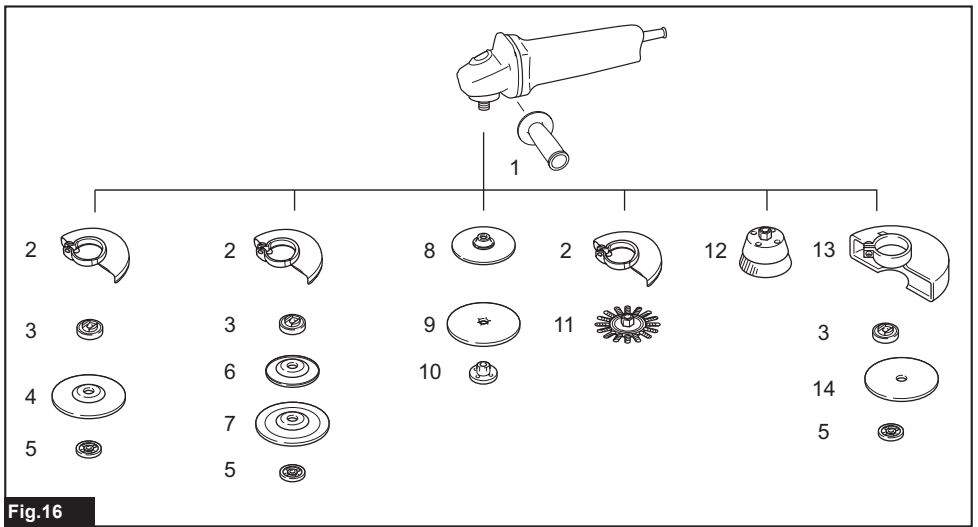


Fig.8





SPECIFICATIONS

Model:	9557HNR	9558HNR
Wheel diameter	115mm (4-1/2")	125mm (5")
Max. wheel thickness	7.2mm	
Spindle thread	M14 or 5/8" (country specific)	
Rated speed (n)	11,000min ⁻¹	
Overall length	271mm	
Net weight	2.0kg	2.1kg
Safety class	□/II	

- Due to our continuing program of research and development, the specifications herein are subject to change without notice.
- Specifications may differ from country to country.
- Weight according to EPTA-Procedure 01/2003

Intended use

The tool is intended for grinding, sanding and cutting of metal and stone materials without the use of water.

Power supply

The tool should be connected only to a power supply of the same voltage as indicated on the nameplate, and can only be operated on single-phase AC supply. They are double-insulated and can, therefore, also be used from sockets without earth wire.

Noise

The typical A-weighted noise level determined according to EN60745:

Sound pressure level (L_{pA}) : 86 dB(A)

Sound power level (L_{WA}) : 97 dB (A)

Uncertainty (K) : 3 dB(A)

⚠ WARNING: Wear ear protection.

Vibration

The vibration total value (tri-axial vector sum) determined according to EN60745:

Model 9557HNR

Work mode: surface grinding

Vibration emission ($a_{n,AG}$) : 7.5 m/s²

Uncertainty (K) : 1.5 m/s²

Work mode: disc sanding

Vibration emission ($a_{n,DS}$) : 2.5 m/s² or less

Uncertainty (K) : 1.5 m/s²

Model 9558HNR

Work mode: surface grinding

Vibration emission ($a_{n,AG}$) : 8.5 m/s²

Uncertainty (K) : 1.5 m/s²

Work mode: disc sanding

Vibration emission ($a_{n,DS}$) : 2.5 m/s² or less

Uncertainty (K) : 1.5 m/s²

NOTE: The declared vibration emission value has been measured in accordance with the standard test method and may be used for comparing one tool with another.

NOTE: The declared vibration emission value may also be used in a preliminary assessment of exposure.

⚠ WARNING: The vibration emission during actual use of the power tool can differ from the declared emission value depending on the ways in which the tool is used.

⚠ WARNING: Be sure to identify safety measures to protect the operator that are based on an estimation of exposure in the actual conditions of use (taking account of all parts of the operating cycle such as the times when the tool is switched off and when it is running idle in addition to the trigger time).

⚠ WARNING: The declared vibration emission value is used for main applications of the power tool. However if the power tool is used for other applications, the vibration emission value may be different.

EC Declaration of Conformity

For European countries only

Makita declares that the following Machine(s):

Designation of Machine: Angle Grinder

Model No./ Type: 9557HNR, 9558HNR

Conforms to the following European Directives:

2006/42/EC

They are manufactured in accordance with the following standard or standardized documents: EN60745

The technical file in accordance with 2006/42/EC is available from:

Makita, Jan-Baptist Vinkstraat 2, 3070, Belgium
4.6.2015



Yasushi Fukaya

Director

Makita, Jan-Baptist Vinkstraat 2, 3070, Belgium

General power tool safety warnings

⚠ WARNING: Read all safety warnings and all instructions. Failure to follow the warnings and instructions may result in electric shock, fire and/or serious injury.

Save all warnings and instructions for future reference.

The term "power tool" in the warnings refers to your mains-operated (corded) power tool or battery-operated (cordless) power tool.

Grinder safety warnings

Safety Warnings Common for Grinding, Sanding, Wire Brushing, or Abrasive Cutting-Off Operations:

1. **This power tool is intended to function as a grinder, sander, wire brush or cut-off tool. Read all safety warnings, instructions, illustrations and specifications provided with this power tool.** Failure to follow all instructions listed below may result in electric shock, fire and/or serious injury.
2. **Operations such as polishing are not recommended to be performed with this power tool.** Operations for which the power tool was not designed may create a hazard and cause personal injury.
3. **Do not use accessories which are not specifically designed and recommended by the tool manufacturer.** Just because the accessory can be attached to your power tool, it does not assure safe operation.
4. **The rated speed of the accessory must be at least equal to the maximum speed marked on the power tool.** Accessories running faster than their rated speed can break and fly apart.
5. **The outside diameter and the thickness of your accessory must be within the capacity rating of your power tool.** Incorrectly sized accessories cannot be adequately guarded or controlled.
6. **Threaded mounting of accessories must match the grinder spindle thread. For accessories mounted by flanges, the arbour hole of the accessory must fit the locating diameter of the flange.** Accessories that do not match the mounting hardware of the power tool will run out of balance, vibrate excessively and may cause loss of control.
7. **Do not use a damaged accessory. Before each use inspect the accessory such as abrasive wheels for chips and cracks, backing pad for cracks, tear or excess wear, wire brush for loose or cracked wires. If power tool or accessory is dropped, inspect for damage or install an undamaged accessory. After inspecting and installing an accessory, position yourself and bystanders away from the plane of the rotating accessory and run the power tool at maximum no-load speed for one minute.** Damaged accessories will normally break apart during this test time.

8. **Wear personal protective equipment.** Depending on application, use face shield, safety goggles or safety glasses. As appropriate, wear dust mask, hearing protectors, gloves and workshop apron capable of stopping small abrasive or workpiece fragments. The eye protection must be capable of stopping flying debris generated by various operations. The dust mask or respirator must be capable of filtering particles generated by your operation. Prolonged exposure to high intensity noise may cause hearing loss.
9. **Keep bystanders a safe distance away from work area. Anyone entering the work area must wear personal protective equipment.** Fragments of workpiece or of a broken accessory may fly away and cause injury beyond immediate area of operation.
10. **Hold the power tool by insulated gripping surfaces only, when performing an operation where the cutting accessory may contact hidden wiring or its own cord.** Cutting accessory contacting a "live" wire may make exposed metal parts of the power tool "live" and could give the operator an electric shock.
11. **Position the cord clear of the spinning accessory.** If you lose control, the cord may be cut or snagged and your hand or arm may be pulled into the spinning accessory.
12. **Never lay the power tool down until the accessory has come to a complete stop.** The spinning accessory may grab the surface and pull the power tool out of your control.
13. **Do not run the power tool while carrying it at your side.** Accidental contact with the spinning accessory could snag your clothing, pulling the accessory into your body.
14. **Regularly clean the power tool's air vents.** The motor's fan will draw the dust inside the housing and excessive accumulation of powdered metal may cause electrical hazards.
15. **Do not operate the power tool near flammable materials.** Sparks could ignite these materials.
16. **Do not use accessories that require liquid coolants.** Using water or other liquid coolants may result in electrocution or shock.

Kickback and Related Warnings

Kickback is a sudden reaction to a pinched or snagged rotating wheel, backing pad, brush or any other accessory. Pinching or snagging causes rapid stalling of the rotating accessory which in turn causes the uncontrolled power tool to be forced in the direction opposite of the accessory's rotation at the point of the binding. For example, if an abrasive wheel is snagged or pinched by the workpiece, the edge of the wheel that is entering into the pinch point can dig into the surface of the material causing the wheel to climb out or kick out. The wheel may either jump toward or away from the operator, depending on direction of the wheel's movement at the point of pinching. Abrasive wheels may also break under these conditions.

Kickback is the result of power tool misuse and/or incorrect operating procedures or conditions and can be avoided by taking proper precautions as given below.

- Maintain a firm grip on the power tool and position your body and arm to allow you to resist kickback forces. Always use auxiliary handle, if provided, for maximum control over kickback or torque reaction during start-up.**
The operator can control torque reactions or kickback forces, if proper precautions are taken.
- Never place your hand near the rotating accessory.** Accessory may kickback over your hand.
- Do not position your body in the area where power tool will move if kickback occurs.** Kickback will propel the tool in direction opposite to the wheel's movement at the point of snagging.
- Use special care when working corners, sharp edges etc. Avoid bouncing and snagging the accessory.** Corners, sharp edges or bouncing have a tendency to snag the rotating accessory and cause loss of control or kickback.
- Do not attach a saw chain woodcarving blade or toothed saw blade.** Such blades create frequent kickback and loss of control.
- Do not position your body in line with and behind the rotating wheel.** When the wheel, at the point of operation, is moving away from your body, the possible kickback may propel the spinning wheel and the power tool directly at you.
- When wheel is binding or when interrupting a cut for any reason, switch off the power tool and hold the power tool motionless until the wheel comes to a complete stop. Never attempt to remove the cut-off wheel from the cut while the wheel is in motion otherwise kickback may occur.** Investigate and take corrective action to eliminate the cause of wheel binding.
- Do not restart the cutting operation in the workpiece. Let the wheel reach full speed and carefully re-enter the cut.** The wheel may bind, walk up or kickback if the power tool is restarted in the workpiece.
- Support panels or any oversized workpiece to minimize the risk of wheel pinching and kickback.** Large workpieces tend to sag under their own weight. Supports must be placed under the workpiece near the line of cut and near the edge of the workpiece on both sides of the wheel.

Safety Warnings Specific for Grinding and Abrasive Cutting-Off Operations:

- Use only wheel types that are recommended for your power tool and the specific guard designed for the selected wheel.** Wheels for which the power tool was not designed cannot be adequately guarded and are unsafe.
- The grinding surface of centre depressed wheels must be mounted below the plane of the guard lip.** An improperly mounted wheel that projects through the plane of the guard lip cannot be adequately protected.
- The guard must be securely attached to the power tool and positioned for maximum safety, so the least amount of wheel is exposed towards the operator.** The guard helps to protect the operator from broken wheel fragments, accidental contact with wheel and sparks that could ignite clothing.
- Wheels must be used only for recommended applications. For example: do not grind with the side of cut-off wheel.** Abrasive cut-off wheels are intended for peripheral grinding, side forces applied to these wheels may cause them to shatter.
- Always use undamaged wheel flanges that are of correct size and shape for your selected wheel.** Proper wheel flanges support the wheel thus reducing the possibility of wheel breakage. Flanges for cut-off wheels may be different from grinding wheel flanges.
- Do not use worn down wheels from larger power tools.** Wheel intended for larger power tool is not suitable for the higher speed of a smaller tool and may burst.

Additional Safety Warnings Specific for Abrasive Cutting-Off Operations:

- Do not "jam" the cut-off wheel or apply excessive pressure. Do not attempt to make an excessive depth of cut.** Overstressing the wheel increases the loading and susceptibility to twisting or binding of the wheel in the cut and the possibility of kickback or wheel breakage.

- Do not position your body in line with and behind the rotating wheel.** When the wheel, at the point of operation, is moving away from your body, the possible kickback may propel the spinning wheel and the power tool directly at you.
- When wheel is binding or when interrupting a cut for any reason, switch off the power tool and hold the power tool motionless until the wheel comes to a complete stop. Never attempt to remove the cut-off wheel from the cut while the wheel is in motion otherwise kickback may occur.** Investigate and take corrective action to eliminate the cause of wheel binding.
- Do not restart the cutting operation in the workpiece. Let the wheel reach full speed and carefully re-enter the cut.** The wheel may bind, walk up or kickback if the power tool is restarted in the workpiece.
- Support panels or any oversized workpiece to minimize the risk of wheel pinching and kickback.** Large workpieces tend to sag under their own weight. Supports must be placed under the workpiece near the line of cut and near the edge of the workpiece on both sides of the wheel.
- Use extra caution when making a "pocket cut" into existing walls or other blind areas.** The protruding wheel may cut gas or water pipes, electrical wiring or objects that can cause kickback.

Safety Warnings Specific for Sanding Operations:

- Do not use excessively oversized sanding disc paper. Follow manufacturers recommendations, when selecting sanding paper.** Larger sanding paper extending beyond the sanding pad presents a laceration hazard and may cause snagging, tearing of the disc or kickback.

Safety Warnings Specific for Wire Brushing Operations:

- Be aware that wire bristles are thrown by the brush even during ordinary operation. Do not overstress the wires by applying excessive load to the brush.** The wire bristles can easily penetrate light clothing and/or skin.
- If the use of a guard is recommended for wire brushing, do not allow any interference of the wire wheel or brush with the guard.** Wire wheel or brush may expand in diameter due to work load and centrifugal forces.

Additional Safety Warnings:

- When using depressed centre grinding wheels, be sure to use only fiberglass-reinforced wheels.**
- NEVER USE Stone Cup type wheels with this grinder.** This grinder is not designed for these types of wheels and the use of such a product may result in serious personal injury.
- Be careful not to damage the spindle, the flange (especially the installing surface) or the lock nut.** Damage to these parts could result in wheel breakage.
- Make sure the wheel is not contacting the workpiece before the switch is turned on.**
- Before using the tool on an actual workpiece, let it run for a while. Watch for vibration or wobbling that could indicate poor installation or a poorly balanced wheel.**

6. Use the specified surface of the wheel to perform the grinding.
7. Do not leave the tool running. Operate the tool only when hand-held.
8. Do not touch the workpiece immediately after operation; it may be extremely hot and could burn your skin.
9. Observe the instructions of the manufacturer for correct mounting and use of wheels. Handle and store wheels with care.
10. Do not use separate reducing bushings or adaptors to adapt large hole abrasive wheels.
11. Use only flanges specified for this tool.
12. For tools intended to be fitted with threaded hole wheel, ensure that the thread in the wheel is long enough to accept the spindle length.
13. Check that the workpiece is properly supported.
14. Pay attention that the wheel continues to rotate after the tool is switched off.
15. If working place is extremely hot and humid, or badly polluted by conductive dust, use a short-circuit breaker (30 mA) to assure operator safety.
16. Do not use the tool on any materials containing asbestos.
17. When use cut-off wheel, always work with the dust collecting wheel guard required by domestic regulation.
18. Cutting discs must not be subjected to any lateral pressure.
19. Do not use cloth work gloves during operation. Fibers from cloth gloves may enter the tool, which causes tool breakage.

SAVE THESE INSTRUCTIONS.

⚠ WARNING: DO NOT let comfort or familiarity with product (gained from repeated use) replace strict adherence to safety rules for the subject product. MISUSE or failure to follow the safety rules stated in this instruction manual may cause serious personal injury.

FUNCTIONAL DESCRIPTION

⚠ CAUTION: Always be sure that the tool is switched off and unplugged before adjusting or checking function on the tool.

Shaft lock

Press the shaft lock to prevent spindle rotation when installing or removing accessories.

► Fig.1: 1. Shaft lock

NOTICE: Never actuate the shaft lock when the spindle is moving. The tool may be damaged.

Switch action

⚠ CAUTION: Before plugging in the tool, always check to see that the slide switch actuates properly and returns to the "OFF" position when the rear of the slide switch is depressed.

⚠ CAUTION: Switch can be locked in "ON" position for ease of operator comfort during extended use. Apply caution when locking tool in "ON" position and maintain firm grasp on tool.

To start the tool, slide the slide switch toward the "I (ON)" position by pushing the rear of the slide switch. For continuous operation, press the front of the slide switch to lock it.

To stop the tool, press the rear of the slide switch, then slide it toward the "O (OFF)" position.

► Fig.2: 1. Slide switch

Unintentional restart proof

The tool does not start with the switch being lock-on even when the tool is plugged.

To cancel the unintentional restart proof, return the power switch to OFF position.

NOTE: Wait more than one second before restarting the tool when unintentional restart proof functions.

NOTE: When the tool is overloaded and the tool temperature reaches a certain level, the tool may automatically stop. In this situation, let the cool before turning on the tool again.

Soft start feature

Soft start feature reduces starting reaction.

ASSEMBLY

⚠ CAUTION: Always be sure that the tool is switched off and unplugged before carrying out any work on the tool.

Installing side grip (handle)

CAUTION: Always be sure that the side grip is installed securely before operation.

Screw the side grip securely on the position of the tool as shown in the figure.

► Fig.3

Installing or removing wheel guard (For depressed center wheel, flap disc, flex wheel, wire wheel brush / abrasive cut-off wheel, diamond wheel)

WARNING: When using a depressed center wheel, flap disc, flex wheel or wire wheel brush, the wheel guard must be fitted on the tool so that the closed side of the guard always points toward the operator.

WARNING: When using an abrasive cut-off / diamond wheel, be sure to use only the special wheel guard designed for use with cut-off wheels.

(In some European countries, when using a diamond wheel, the ordinary guard can be used. Follow the regulations in your country.)

Mount the wheel guard with the protrusions on the wheel guard band aligned with the notches on the bearing box. Then rotate the wheel guard to such an angle that it can protect the operator according to work. Be sure to tighten the screw securely. To remove wheel guard, follow the installation procedure in reverse.

► Fig.4: 1. Wheel guard 2. Bearing box 3. Screw

Installing or removing depressed center wheel or flap disc

Optional accessory

WARNING: When using a depressed center wheel or flap disc, the wheel guard must be fitted on the tool so that the closed side of the guard always points toward the operator.

CAUTION: Make sure that the mounting part of the inner flange fits into the inner diameter of the depressed center wheel / flap disc perfectly. Mounting the inner flange on the wrong side may result in the dangerous vibration.

Mount the inner flange onto the spindle. Make sure to fit the dented part of the inner flange onto the straight part at the bottom of the spindle. Fit the depressed center wheel / flap disc on the inner flange and screw the lock nut onto the spindle.

► Fig.5: 1. Lock nut 2. Depressed center wheel 3. Inner flange 4. Mounting part

To tighten the lock nut, press the shaft lock firmly so that the spindle cannot revolve, then use the lock nut wrench and securely tighten clockwise.

► Fig.6: 1. Lock nut wrench 2. Shaft lock

To remove the wheel, follow the installation procedure in reverse.

Super flange

Optional accessory

Only for tools with M14 spindle thread.

Models with the letter F are standard-equipped with Super flange. Only 1/3 of efforts needed to undo lock nut, compared with conventional type.

Installing or removing flex wheel

Optional accessory

WARNING: Always use supplied guard when flex wheel is on tool. Wheel can shatter during use and guard helps to reduce chances of personal injury.

► Fig.7: 1. Lock nut 2. Flex wheel 3. Back up pad 4. Inner flange

Follow instructions for depressed center wheel but also use back up pad over wheel. See order of assembly on accessories page in this manual.

Installing or removing abrasive disc

Optional accessory

► Fig.8: 1. Sanding lock nut 2. Abrasive disc 3. Rubber pad

1. Mount the rubber pad onto the spindle.
2. Fit the disc on the rubber pad and screw the sanding lock nut onto the spindle.
3. Hold the spindle with the shaft lock, and securely tighten the sanding lock nut clockwise with the lock nut wrench.

To remove the disc, follow the installation procedure in reverse.

NOTE: Use sander accessories specified in this manual. These must be purchased separately.

OPERATION

WARNING: It should never be necessary to force the tool. The weight of the tool applies adequate pressure. Forcing and excessive pressure could cause dangerous wheel breakage.

WARNING: ALWAYS replace wheel if tool is dropped while grinding.

WARNING: NEVER bang or hit grinding disc or wheel onto work.

WARNING: Avoid bouncing and snagging the wheel, especially when working corners, sharp edges etc. This can cause loss of control and kickback.

WARNING: NEVER use tool with wood cutting blades and other saw blades. Such blades when used on a grinder frequently kick and cause loss of control leading to personal injury.

⚠ CAUTION: Never switch on the tool when it is in contact with the workpiece, it may cause an injury to operator.

⚠ CAUTION: Always wear safety goggles or a face shield during operation.

⚠ CAUTION: After operation, always switch off the tool and wait until the wheel has come to a complete stop before putting the tool down.

⚠ CAUTION: ALWAYS hold the tool firmly with one hand on housing and the other on the side grip (handle).

Grinding and sanding operation

► Fig.9

Turn the tool on and then apply the wheel or disc to the workpiece.

In general, keep the edge of the wheel or disc at an angle of about 15° to the workpiece surface. During the break-in period with a new wheel, do not work the grinder in forward direction or it may cut into the workpiece. Once the edge of the wheel has been rounded off by use, the wheel may be worked in both forward and backward direction.

Operation with abrasive cut-off / diamond wheel

Optional accessory

⚠ WARNING: When using an abrasive cut-off / diamond wheel, be sure to use only the special wheel guard designed for use with cut-off wheels.

(In some European countries, when using a diamond wheel, the ordinary guard can be used. Follow the regulations in your country.)

⚠ WARNING: NEVER use cut-off wheel for side grinding.

⚠ WARNING: Do not "jam" the wheel or apply excessive pressure. Do not attempt to make an excessive depth of cut. Overstressing the wheel increases the loading and susceptibility to twisting or binding of the wheel in the cut and the possibility of kickback, wheel breakage and overheating of the motor may occur.

⚠ WARNING: Do not start the cutting operation in the workpiece. Let the wheel reach full speed and carefully enter into the cut moving the tool forward over the workpiece surface. The wheel may bind, walk up or kickback if the power tool is started in the workpiece.

⚠ WARNING: During cutting operations, never change the angle of the wheel. Placing side pressure on the cut-off wheel (as in grinding) will cause the wheel to crack and break, causing serious personal injury.

⚠ WARNING: A diamond wheel shall be operated perpendicular to the material being cut.

► Fig.10: 1. Lock nut 2. Abrasive cut-off wheel / diamond wheel 3. Inner flange 4. Wheel guard for abrasive cut-off wheel / diamond wheel

As for the installation, follow the instructions for depressed center wheel.

The direction for mounting the lock nut and the inner flange varies by wheel type and thickness. Refer to the following figures.

When installing the abrasive cut-off wheel:

► Fig.11: 1. Lock nut 2. Abrasive cut-off wheel (Thinner than 4mm (5/32")) 3. Abrasive cut-off wheel (4mm (5/32") or thicker) 4. Inner flange

When installing the diamond wheel:

► Fig.12: 1. Lock nut 2. Diamond wheel (Thinner than 4mm (5/32")) 3. Diamond wheel (4mm (5/32") or thicker) 4. Inner flange

Operation with wire cup brush

Optional accessory

⚠ CAUTION: Check operation of brush by running tool with no load, insuring that no one is in front of or in line with brush.

⚠ CAUTION: Do not use brush that is damaged, or which is out of balance. Use of damaged brush could increase potential for injury from contact with broken brush wires.

► Fig.13: 1. Wire cup brush

Unplug tool and place it upside down allowing easy access to spindle.

Remove any accessories on spindle. Thread wire cup brush onto spindle and tighten with supplied wrench.

NOTICE: Avoid applying too much pressure which causes over bending of wires when using brush. It may lead to premature breakage.

Operation with wire wheel brush

Optional accessory

⚠ CAUTION: Check operation of wire wheel brush by running tool with no load, insuring that no one is in front of or in line with the wire wheel brush.

⚠ CAUTION: Do not use wire wheel brush that is damaged, or which is out of balance. Use of damaged wire wheel brush could increase potential for injury from contact with broken wires.

⚠ CAUTION: ALWAYS use guard with wire wheel brushes, assuring diameter of wheel fits inside guard. Wheel can shatter during use and guard helps to reduce chances of personal injury.

► Fig.14: 1. Wire wheel brush

Unplug tool and place it upside down allowing easy access to spindle.

Remove any accessories on spindle. Thread wire wheel brush onto spindle and tighten with the wrenches.

NOTICE: Avoid applying too much pressure which causes over bending of wires when using wire wheel brush. It may lead to premature breakage.

MAINTENANCE

⚠ CAUTION: Always be sure that the tool is switched off and unplugged before attempting to perform inspection or maintenance.

NOTICE: Never use gasoline, benzene, thinner, alcohol or the like. Discoloration, deformation or cracks may result.

Air vent cleaning

The tool and its air vents have to be kept clean. Regularly clean the tool's air vents or whenever the vents start to become obstructed.

► **Fig.15:** 1. Exhaust vent 2. Inhalation vent

To maintain product SAFETY and RELIABILITY, repairs, any other maintenance or adjustment should be performed by Makita Authorized or Factory Service Centers, always using Makita replacement parts.

OPTIONAL ACCESSORIES

⚠ CAUTION: These accessories or attachments are recommended for use with your Makita tool specified in this manual. The use of any other accessories or attachments might present a risk of injury to persons. Only use accessory or attachment for its stated purpose.

If you need any assistance for more details regarding these accessories, ask your local Makita Service Center.

► **Fig.16**

-	115 mm (4-1/2") model	125 mm (5") model
1	Grip 36	
2	Wheel Guard (for grinding wheel)	
3	Inner flange / Super flange	
4	Depressed center wheel / Flap disc	
5	Lock nut	
6	Back up pad	
7	Flex wheel	
8	Rubber pad 100	Rubber pad 115
9	Abrasive disc	
10	Sanding lock nut	
11	Wire wheel brush	
12	Wire cup brush	
13	Wheel Guard (for cut-off wheel) *1	
14	Abrasive cut-off wheel / Diamond wheel	
-	Lock nut wrench	

NOTE: *1 In some European countries, when using a diamond wheel, the ordinary guard can be used instead of the special guard covering the both side of the wheel. Follow the regulations in your country.

NOTE: Some items in the list may be included in the tool package as standard accessories. They may differ from country to country.

SPÉCIFICATIONS

Modèle :	9557HNR	9558HNR
Diamètre de meule	115 mm	125 mm
Épaisseur max. de la meule	7,2 mm	
Filetage de l'axe	M14 ou 5/8" (selon le pays)	
Vitesse nominale (n)	11 000 min ⁻¹	
Longueur totale	271 mm	
Poids net	2,0 kg	2,1 kg
Catégorie de sécurité	II/III	

- Étant donné l'évolution constante de notre programme de recherche et de développement, les spécifications contenues dans ce manuel sont sujettes à modification sans préavis.
- Les spécifications peuvent varier suivant les pays.
- Poids selon la procédure EPTA 01/2003

Utilisations

L'outil est conçu pour le meulage, le ponçage et la coupe de matériaux en métal ou en pierre sans utiliser d'eau.

Alimentation

L'outil ne devra être raccordé qu'à une alimentation de la même tension que celle qui figure sur la plaque signalétique, et il ne pourra fonctionner que sur un courant secteur monophasé. Réalisé avec une double isolation, il peut de ce fait être alimenté par une prise sans mise à la terre.

Bruit

Niveau de bruit pondéré A typique, déterminé selon EN60745 :

Niveau de pression sonore (L_{pA}) : 86 dB (A)

Niveau de puissance sonore (L_{WA}) : 97 dB (A)

Incertitude (K) : 3 dB (A)

AVERTISSEMENT : Portez un serre-tête antibruit.

Vibrations

Valeur totale de vibrations (somme de vecteur triaxial) déterminée selon EN60745 :

Modèle 9557HNR

Mode de travail : meulage de surface

Émission de vibrations ($a_{h,AG}$) : 7,5 m/s²

Incertitude (K) : 1,5 m/s²

Mode de travail : ponçage au disque

Émission de vibrations ($a_{h,DS}$) : 2,5 m/s² ou moins

Incertitude (K) : 1,5 m/s²

Modèle 9558HNR

Mode de travail : meulage de surface

Émission de vibrations ($a_{h,AG}$) : 8,5 m/s²

Incertitude (K) : 1,5 m/s²

Mode de travail : ponçage au disque

Émission de vibrations ($a_{h,DS}$) : 2,5 m/s² ou moins

Incertitude (K) : 1,5 m/s²

NOTE : La valeur d'émission de vibrations déclarée a été mesurée conformément à la méthode de test standard et peut être utilisée pour comparer les outils entre eux.

NOTE : La valeur d'émission de vibrations déclarée peut aussi être utilisée pour l'évaluation préliminaire de l'exposition.

AVERTISSEMENT : L'émission de vibrations lors de l'usage réel de l'outil électrique peut être différente de la valeur d'émission déclarée, suivant la façon dont l'outil est utilisé.

AVERTISSEMENT : Les mesures de sécurité à prendre pour protéger l'utilisateur doivent être basées sur une estimation de l'exposition dans des conditions réelles d'utilisation (en tenant compte de toutes les composantes du cycle d'utilisation, comme par exemple le moment de sa mise hors tension, lorsqu'il tourne à vide et le moment de son déclenchement).

AVERTISSEMENT : La valeur d'émission de vibrations déclarée est utilisée pour les applications principales de l'outil électrique. Toutefois si l'outil électrique est utilisé pour d'autres applications, la valeur d'émission de vibrations peut être différente.

Déclaration de conformité CE

Pour les pays européens uniquement

Makita déclare que la ou les machines suivantes :

Désignation de la machine : Meuleuse d'Angle

N° de modèle/Type : 9557HNR, 9558HNR

sont conformes aux Directives européennes suivantes : 2006/42/CE

et sont fabriquées conformément aux normes ou aux documents normalisés suivants : EN60745

La documentation technique conforme à la norme 2006/42/CE est disponible auprès de :

Makita, Jan-Baptist Vinkstraat 2, 3070, Belgique 4.6.2015



Yasushi Fukaya

Directeur

Makita, Jan-Baptist Vinkstraat 2, 3070, Belgique

Consignes de sécurité générales pour outils électriques

⚠ AVERTISSEMENT : Lisez toutes les consignes de sécurité et toutes les instructions. Il y a risque d'électrocution, d'incendie et/ou de graves blessures si les mises en garde et les instructions ne sont pas respectées.

Conservez toutes les mises en garde et instructions pour référence ultérieure.

Le terme « outil électrique » dans les avertissements fait référence à l'outil électrique alimenté par le secteur (avec cordon d'alimentation) ou à l'outil électrique fonctionnant sur batterie (sans cordon d'alimentation).

Consignes de sécurité pour meuleuse

Consignes de sécurité communes aux travaux de meulage, ponçage, brossage métallique ou tronçonnage abrasif :

- Cet outil électrique est conçu pour être utilisé en tant que meuleuse, ponceuse, brosse métallique ou outil de tronçonnage. Veuillez lire les consignes de sécurité, instructions, illustrations et spécifications qui accompagnent cet outil électrique.** Le non-respect de toutes les instructions indiquées ci-dessous peut entraîner une électrocution, un incendie et/ou de graves blessures.
- Il est déconseillé d'effectuer des travaux de polissage avec cet outil électrique.** Il y a risque de danger et de blessure si l'outil électrique est utilisé pour exécuter des travaux pour lesquels il n'a pas été conçu.
- N'utilisez pas d'accessoires qui n'ont pas été conçus spécifiquement et recommandés par le fabricant de l'outil.** Même si un accessoire peut être fixé sur l'outil électrique, cela ne garantit pas qu'il fonctionnera de manière sûre.
- La vitesse nominale de l'accessoire doit être au moins égale à la vitesse maximum inscrite sur l'outil électrique.** Les accessoires tournant plus vite que leur vitesse nominale peuvent se casser et voler en éclats.
- Le diamètre extérieur et l'épaisseur de l'accessoire ne doivent pas dépasser la capacité nominale de l'outil électrique.** Les accessoires de taille incorrecte ne peuvent être protégés ou contrôlés adéquatement.
- Le filetage des accessoires à monter doit correspondre à celui de l'axe de la meuleuse. Pour les accessoires montés à l'aide de flasques, la taille de l'alésage de l'accessoire doit correspondre au diamètre du flasque.** Les accessoires qui ne sont pas bien adaptés à la taille de la pièce où ils sont montés sur l'outil électrique se déséquilibreront, vibreront trop et pourront entraîner une perte de maîtrise de l'outil.
- N'utilisez jamais un accessoire endommagé.** Avant chaque utilisation, assurez-vous que la meule abrasive est exempte de copeaux et fissures, que la semelle n'est pas fissurée, déchirée ou trop usée, ou que la brosse métallique est exempte de fil métalliques lâches ou cassés. Si vous lâchez l'outil électrique ou un accessoire, assurez-vous qu'il n'est pas endommagé ou bien remplacez l'accessoire endommagé. Après avoir vérifié et posé un accessoire, assurez-vous que personne, y compris vous-même, ne se trouve dans la trajectoire de l'accessoire en rotation et faites tourner l'outil électrique à vitesse à vide maximale pendant une minute. Les accessoires endommagés se brisent généralement au cours de cette période d'essai.
- Portez un équipement de protection individuelle. Suivant le type de travail à effectuer, utilisez un écran facial, des lunettes à coques ou des lunettes de sécurité. Si nécessaire, portez un masque anti-poussière, des protège-tympons, des gants et un tablier de travail pouvant arrêter les particules abrasives ou les fragments de pièce.** La protection oculaire doit pouvoir arrêter les débris volants produits par les diverses opérations. Le masque anti-poussières ou le masque filtrant doit pouvoir filtrer les particules générées lors des travaux. Une exposition prolongée à un bruit d'intensité élevée peut entraîner une perte auditive.
- Assurez-vous que les passants demeurent à une distance sûre de la zone de travail. Toute personne pénétrant dans la zone de travail doit porter un équipement de protection individuelle.** Des fragments de pièce ou un accessoire cassé peuvent être éjectés et blesser les personnes au-delà de la zone immédiate de travail.
- Tenez l'outil électrique par une surface de prise isolée uniquement, lorsque vous effectuez une tâche où l'accessoire de coupe pourrait toucher un câblage caché ou son propre cordon d'alimentation.** Le contact de l'accessoire de coupe avec un fil sous tension peut transmettre du courant dans les pièces métalliques exposées de l'outil électrique et électrocuter l'utilisateur.
- Placez le cordon à l'écart de l'accessoire en rotation.** En cas de perte de maîtrise, vous risquez, en coupant ou en accrochant le cordon, d'avoir la main ou le bras attiré vers l'accessoire en rotation.
- Ne déposez jamais l'outil électrique avant que l'accessoire ne se soit parfaitement arrêté.** L'accessoire en rotation peut accrocher la surface et projeter l'outil électrique de telle sorte que vous en perdiez la maîtrise.
- Ne transportez pas l'outil électrique tout en le laissant tourner.** En cas de contact accidentel avec l'accessoire en rotation, ce dernier risque d'accrocher vos vêtements et d'être entraîné vers votre corps.
- Nettoyez régulièrement les orifices d'aération de l'outil électrique.** Le ventilateur du moteur aspire la poussière à l'intérieur du carter, ce qui présente un danger électrique en cas d'accumulation excessive de poussières métalliques.

15. **N'utilisez pas l'outil électrique près de matériaux inflammables.** Les étincelles risqueraient d'enflammer ces matériaux.
16. **N'utilisez pas d'accessoires nécessitant un liquide de refroidissement.** L'utilisation d'eau ou d'un liquide de refroidissement comporte un risque d'électrocution ou de choc électrique.
2. **La surface de meulage des meules à moyen déporté doit être montée sous le plan de la lèvre du carter de protection.** Si la meule n'est pas bien montée et dépasse le plan de la lèvre du carter de protection, celui-ci ne pourra pas assurer une protection adéquate.

Mises en garde concernant le choc en retour et autres dangers

Le choc en retour est une réaction soudaine qui survient lorsque la meule, la semelle, la brosse ou un autre accessoire en rotation se coince ou accroche. Lorsque l'accessoire en rotation se coince ou accroche, il s'arrête soudainement et l'utilisateur perd alors la maîtrise de l'outil électrique projeté dans le sens contraire de sa rotation au point où il se coince dans la pièce.

Par exemple, si une meule abrasive accroche ou se coince dans la pièce, son tranchant introduit au point de pincement risque d'y creuser la surface du matériau, entraînant la sortie ou le déchaussement de la meule. La meule peut alors dévier de sa trajectoire, vers l'utilisateur ou dans le sens opposé, selon la direction du mouvement de la meule au point de pincement. Dans ces conditions, la meule abrasive risque également de se briser.

Le choc en retour est le résultat d'une utilisation incorrecte de l'outil électrique et/ou de l'inobservation des procédures ou conditions d'utilisation. Il peut être évité en prenant les précautions adéquates indiquées ci-dessous.

1. **Maintenez une poigne ferme sur l'outil électrique et placez corps et bras de façon à pouvoir résister à la force exercée par les chocs en retour. Utilisez toujours la poignée auxiliaire, s'il y en a une, pour avoir une maîtrise maximale de l'outil en cas de choc en retour ou de force de réaction exercée au moment du démarrage.** L'utilisateur peut maîtriser les forces de réaction ou de choc en retour s'il prend les précautions adéquates.
2. **Ne placez jamais la main près d'un accessoire en rotation.** L'accessoire risquerait de passer sur votre main en cas de choc en retour.
3. **Ne vous placez pas dans la zone vers laquelle l'outil électrique se déplacera en cas de choc en retour.** Le choc en retour projettera l'outil dans le sens opposé au mouvement de la meule au point où elle accroche dans la pièce.
4. **Soyez tout particulièrement prudent lorsque vous travaillez sur les coins, les arêtes vives, etc. Évitez de laisser l'accessoire sautiller ou accrocher.** L'accessoire en rotation a tendance à accrocher dans les coins, sur les arêtes vives ou lorsqu'il sautille, ce qui comporte un risque de perte de maîtrise ou de choc en retour.
5. **Ne fixez pas une chaîne de coupe, une lame à sculpter le bois ou une lame de scie dentée.** De telles lames causent fréquemment des chocs en retour et des pertes de maîtrise.

Consignes de sécurité spécifiques aux opérations de meulage et de tronçonnage abrasif :

1. **Utilisez exclusivement les types de meule recommandés pour votre outil électrique, et le carter de protection conçu spécifiquement pour la meule sélectionnée.** Les meules pour lesquelles l'outil électrique n'a pas été conçu ne pourront pas être protégées correctement et se révéleront dangereuses.

3. **Le carter de protection doit être solidement fixé à l'outil électrique et placé de façon à assurer une sécurité maximale en ne laissant qu'une partie minimale de la meule exposée du côté de l'utilisateur.** Le carter de protection permet de protéger l'utilisateur des éclats de meule brisée, d'un contact accidentel avec la meule et des étincelles qui pourraient enflammer ses vêtements.
4. **Les meules ne doivent être utilisées que pour les applications recommandées. Par exemple : ne procédez pas au meulage avec le côté de la meule à tronçonner.** Les meules à tronçonner abrasives étant conçues pour le meulage périphérique, elles risquent de voler en éclats si on leur applique une force latérale.
5. **Utilisez toujours des flasques pour meule en bon état, dont la taille et la forme correspondent à la meule sélectionnée.** Des flasques pour meule adéquats soutiennent la meule et réduisent ainsi les risques de rupture de la meule. Les flasques pour meules à tronçonner peuvent être différents de ceux pour meules ordinaires.
6. **N'utilisez pas de meules usées provenant d'outils électriques plus grands.** Les meules conçues pour des outils électriques plus grands ne conviennent pas à la vitesse supérieure d'un outil plus petit et risquent d'éclater.

Consignes de sécurité supplémentaires spécifiques aux travaux de tronçonnage abrasif :

1. **Évitez de « bloquer » la meule à tronçonner ou d'appliquer une pression excessive. N'essayez pas de couper trop profondément.** Une meule trop sollicitée subira une surcharge et risquera de se tordre ou de se coincer dans la ligne de coupe, ce qui comporte un risque de choc en retour ou de bris de la meule.
2. **Ne vous placez pas directement derrière ou devant la meule en rotation.** Lorsque la meule, en cours de fonctionnement, s'écarte de votre corps, le choc en retour potentiel risque de propulser la meule en rotation et l'outil électrique dans votre direction.
3. **Lorsque la meule se coince ou lorsque vous interrompez la coupe pour une raison quelconque, mettez l'outil électrique hors tension et maintenez-le immobile jusqu'à ce que la meule cesse complètement de tourner. Ne tentez jamais de retirer la meule à tronçonner de la coupe pendant que la meule tourne, sous peine de provoquer un choc en retour.** Identifiez la cause du grippage de la meule et prenez les mesures correctives pour y remédier.
4. **Ne reprenez pas la coupe telle quelle dans la pièce. Attendez que la meule ait atteint sa pleine vitesse avant de la réintroduire soigneusement dans la ligne de coupe.** Si vous redémarrez l'outil électrique alors qu'il se trouve encore dans la pièce à travailler, la meule risquera de se coincer, de remonter hors de la ligne de coupe ou de provoquer un choc en retour.

5. **Soutenez les panneaux ou les pièces de grande taille pour réduire les risques de coincement de la meule et de choc en retour.** Les pièces de grande taille ont tendance à ployer sous leur propre poids. Il est nécessaire de placer en dessous des cales à proximité de la ligne de coupe et près du rebord de la pièce de chaque côté de la meule.
6. **Redoublez de précaution lorsque vous faites une « coupe en plongée » dans un mur ou toute autre surface pouvant cacher des structures.** La meule, en dépassant derrière le mur ou la surface, peut couper des conduites de gaz ou d'eau, des fils électriques ou des objets pouvant causer un choc en retour.
7. **N'abandonnez pas l'outil alors qu'il tourne. Ne faites fonctionner l'outil qu'une fois que vous l'avez bien en main.**
8. **Ne touchez pas la pièce immédiatement après avoir terminé le travail ; elle peut être très chaude et vous brûler la peau.**
9. **Suivez les instructions du fabricant pour un montage adéquat et une utilisation appropriée des meules. Manipulez et rangez les meules soigneusement.**
10. **N'utilisez pas de bagues de réduction ou d'adaptateurs vendus dans le commerce pour adapter des meules abrasives dont l'orifice central est grand.**
11. **N'utilisez que les flasques spécifiés pour cet outil.**

Consignes de sécurité spécifiques aux travaux de ponçage :

1. **N'utilisez pas de feuilles de papier abrasif trop grandes. Suivez les recommandations du fabricant pour choisir le papier abrasif.** Une grande feuille de papier abrasif débordant du coussin de ponçage présente un risque de laceration et pourrait déchirer le disque, l'accrocher ou provoquer un choc en retour.

Consignes de sécurité spécifiques aux travaux de brossage métallique :

1. **N'oubliez pas que des fils métalliques se détachent de la brosse même lors de travaux ordinaires. Ne soumettez pas les fils métalliques à une surcharge en appliquant une pression excessive sur la brosse.** Les fils métalliques pénètrent facilement dans les vêtements légers et/ou dans la peau.
2. **Si l'utilisation d'un carter de protection est recommandée pour le brossage métallique, assurez-vous que la meule ou brosse métallique ne gêne pas le carter de protection.** Selon la charge de travail et l'intensité de la force centrifuge, le diamètre de la meule ou brosse métallique peut augmenter.

Consignes de sécurité supplémentaires :

1. **Lors de l'utilisation des meules ordinaires à moyeu déporté, assurez-vous d'utiliser exclusivement des meules renforcées de fibre de verre.**
2. **N'UTILISEZ JAMAIS une meule boisseau pour pierre avec cette meuleuse.** Cette meuleuse n'est pas conçue pour ces types de meule, et leur utilisation peut entraîner de graves blessures.
3. **Prenez garde de ne pas endommager l'axe, le flasque (tout particulièrement la surface d'installation) ou le contre-écrou.** La meule risque de casser si ces pièces sont endommagées.
4. **Assurez-vous que la meule n'entre pas en contact avec la pièce avant de mettre l'outil sous tension.**
5. **Avant d'utiliser l'outil sur une pièce, faites-le tourner un instant à vide. Soyez attentif aux vibrations ou sautilllements pouvant indiquer que la meule n'est pas bien posée ou qu'elle est mal équilibrée.**
6. **Utilisez la surface spécifiée de la meule pour meuler.**

12. **Pour les outils destinés à être équipés d'une meule à orifice fileté, assurez-vous que le filetage dans la meule est suffisamment long pour accueillir la longueur de l'axe.**
13. **Assurez-vous que la pièce à travailler est correctement soutenue.**
14. **N'oubliez pas que la meule continue de tourner une fois l'outil éteint.**
15. **Si le lieu de travail est extrêmement chaud et humide, ou fortement pollué de poussières conductrices, utilisez un disjoncteur (30 mA) pour assurer la sécurité de l'utilisateur.**
16. **N'utilisez l'outil avec aucun matériau contenant de l'amiante.**
17. **Lorsque vous utilisez une meule à tronçonner, travaillez toujours avec le carter de meule de collecte de la poussière exigé par la réglementation locale.**
18. **Aucune pression latérale ne doit être exercée sur les disques de coupe.**
19. **N'utilisez pas de gants de travail en tissu pendant la tâche.** Les fibres des gants en tissu peuvent pénétrer dans l'outil et le casser.

CONSERVEZ CES INSTRUCTIONS.

⚠ AVERTISSEMENT : NE vous laissez PAS tromper (au fil d'une utilisation répétée) par un sentiment d'aisance et de familiarité avec le produit, en négligeant le respect rigoureux des consignes de sécurité qui accompagnent le produit en question. La MAUVAISE UTILISATION de l'outil ou l'ignorance des consignes de sécurité indiquées dans ce mode d'emploi peut entraîner de graves blessures.

DESCRIPTION DU FONCTIONNEMENT

⚠ ATTENTION : Assurez-vous toujours que l'outil est hors tension et débranché avant de l'ajuster ou de vérifier son fonctionnement.

Verrouillage de l'arbre

Avant de poser ou de retirer des accessoires, appuyez sur le verrouillage de l'arbre pour empêcher l'axe de tourner.

► **Fig.1:** 1. Verrouillage de l'arbre

REMARQUE : N'activez jamais le verrouillage de l'arbre pendant que l'axe tourne. Vous risqueriez d'abîmer l'outil.

Interrupteur

⚠ ATTENTION : Avant de brancher l'outil, vérifiez toujours que l'interrupteur à glissière fonctionne correctement et revient sur la position « Arrêt » lorsque vous enfoncez l'arrière de l'interrupteur à glissière.

⚠ ATTENTION : L'interrupteur peut être verrouillé sur la position « Marche » pour améliorer le confort de l'utilisateur pendant une utilisation prolongée. Soyez prudent lorsque vous verrouillez l'outil sur la position « Marche » et tenez-le fermement.

Pour faire démarrer l'outil, faites glisser l'interrupteur à glissière vers la position « I » (Marche) en appuyant sur l'arrière de l'interrupteur à glissière. Pour un fonctionnement continu, appuyez sur l'avant de l'interrupteur à glissière pour le verrouiller.

Pour arrêter l'outil, appuyez sur l'arrière de l'interrupteur à glissière, puis poussez-le sur la position « O » (Arrêt).

► **Fig.2:** 1. Interrupteur à glissière

Protection contre le redémarrage accidentel

Même branché, l'outil ne démarre pas si l'interrupteur est verrouillé.

Pour désactiver la protection contre le redémarrage accidentel, remettez l'interrupteur d'alimentation sur la position d'arrêt.

NOTE : Patientez plus d'une seconde avant de redémarrer l'outil si la protection contre le redémarrage accidentel est activée.

NOTE : En cas de surcharge de l'outil et si sa température atteint un certain niveau, il se peut qu'il s'arrête automatiquement. Dans ce cas, laissez l'outil refroidir avant de le rallumer.

Fonction de démarrage en douceur

La fonction de démarrage en douceur réduit le choc de démarrage.

ASSEMBLAGE

⚠ ATTENTION : Avant d'effectuer toute intervention sur l'outil, assurez-vous toujours qu'il est hors tension et débranché.

Pose de la poignée latérale

⚠ ATTENTION : Avant l'utilisation, assurez-vous toujours que la poignée latérale est fermement posée.

Vissez fermement la poignée latérale sur la position de l'outil comme indiqué sur la figure.

► **Fig.3**

Pose ou retrait du carter de meule (pour meule à moyeu déporté, disque à lamelles, meule flexible, brosse métallique circulaire/meule à tronçonner abrasive, meule diamantée)

⚠ AVERTISSEMENT : Pendant l'utilisation d'une meule à moyeu déporté, d'un disque à lamelles, d'une meule flexible ou d'une brosse métallique circulaire, le carter de meule doit être posé sur l'outil de manière à toujours se refermer du côté de l'utilisateur.

⚠ AVERTISSEMENT : Pendant l'utilisation d'une meule à tronçonner abrasive/meule diamantée, vous devez utiliser exclusivement le carter de meule spécialement conçu pour les meules à tronçonner.

(Dans certains pays d'Europe, il est possible d'utiliser le carter de protection ordinaire avec une meule diamantée. Respectez la réglementation en vigueur dans votre pays.)

Montez le carter de meule en alignant les parties saillantes de la bande du carter de meule sur les entailles du boîtier de roulement. Puis, faites tourner le carter de meule à un angle permettant de protéger l'utilisateur en fonction de la tâche effectuée. Vous devez serrer fermement la vis.

Pour retirer le carter de meule, effectuez la procédure de pose dans l'ordre inverse.

► **Fig.4:** 1. Carter de meule 2. Boîtier de roulement 3. Vis

Pose ou retrait de la meule à moyeu déporté ou du disque à lamelles

Accessoire en option

⚠ AVERTISSEMENT : Pour l'utilisation d'une meule à moyeu déporté ou d'un disque à lamelles, le carter de meule doit être posé sur l'outil de manière à toujours se refermer du côté de l'utilisateur.

ATTENTION : Assurez-vous que la pièce de fixation du flasque intérieur s'engage parfaitement dans le diamètre interne de la meule à moyeu déporté ou du disque à lamelles. La fixation du flasque intérieur du mauvais côté peut provoquer des vibrations dangereuses.

Montez le flasque intérieur sur l'axe. Assurez-vous d'insérer la partie dentelée du flasque intérieur dans la partie droite au bas de l'axe. Placez la meule à moyeu déporté ou le disque à lamelles sur le flasque intérieur, et vissez le contre-écrou sur l'axe.

► **Fig.5:** 1. Contre-écrou 2. Meule à moyeu déporté 3. Flasque intérieur 4. Pièce de fixation

Pour serrer le contre-écrou, appuyez fermement sur le verrouillage de l'arbre pour empêcher l'axe de tourner, et serrez fermement à l'aide de la clé à contre-écrou en tournant dans le sens des aiguilles d'une montre.

► **Fig.6:** 1. Clé à contre-écrou 2. Verrouillage de l'arbre

Pour retirer la meule, effectuez la procédure de pose dans l'ordre inverse.

Super flasque

Accessoire en option

Uniquement pour les outils avec filetage de l'axe M14.

Les modèles qui contiennent la lettre F sont équipés en série du super flasque. Par rapport au type classique, ces modèles ne requièrent que le tiers de l'effort pour desserrer le contre-écrou.

Pose ou dépose de la meule flexible

Accessoire en option

AVERTISSEMENT : Lorsque la meule flexible est posée sur l'outil, utilisez toujours le carter de protection fourni. La meule peut se briser en éclats pendant l'utilisation ; le cas échéant, le carter contribue à réduire les risques de blessure.

► **Fig.7:** 1. Contre-écrou 2. Meule flexible 3. Semelle 4. Flasque intérieur

Suivez les instructions pour la meule à moyeu déporté, mais posez également la semelle sur la meule. Pour l'ordre d'assemblage, reportez-vous à la page des accessoires dans le présent manuel.

Pose ou dépose du disque abrasif

Accessoire en option

► **Fig.8:** 1. Contre-écrou de ponçage 2. Disque abrasif 3. Coussinet de caoutchouc

1. Montez le coussinet de caoutchouc sur l'axe.
2. Placez le disque sur le coussinet de caoutchouc et vissez le contre-écrou de ponçage sur l'axe.
3. Tenez l'axe par le verrouillage de l'arbre et serrez solidement le contre-écrou de ponçage dans le sens des aiguilles d'une montre avec la clé à contre-écrou.

Pour retirer le disque, effectuez la procédure de pose dans l'ordre inverse.

NOTE : Utilisez les accessoires pour ponceuse spécifiés dans ce manuel. Ils sont vendus séparément.

UTILISATION

AVERTISSEMENT : Il n'est jamais nécessaire de forcer l'outil. Le poids de l'outil suffit pour appliquer une pression adéquate. En forçant l'outil ou en appliquant une pression excessive, vous risquez de provoquer un dangereux éclatement de la meule.

AVERTISSEMENT : Remplacez TOUJOURS la meule si vous laissez tomber l'outil en meulant.

AVERTISSEMENT : Ne frappez ni ne heurtez JAMAIS le disque ou la meule contre la pièce à travailler.

AVERTISSEMENT : Évitez de laisser la meule sautiller ou accrocher, tout spécialement lorsque vous travaillez dans des coins, sur des angles vifs, etc. Il y a un risque de perte de contrôle de l'outil et de choc en retour.

AVERTISSEMENT : N'utilisez JAMAIS l'outil avec des lames à bois et autres lames de scie. Utilisées sur une meuleuse, ces lames reculent souvent et causent une perte de contrôle, ce qui comporte un risque de blessure.

ATTENTION : Ne faites jamais démarrer l'outil alors qu'il touche la pièce à travailler ; il y a un risque de blessure pour l'utilisateur.

ATTENTION : Portez toujours des lunettes à coques ou un écran facial pendant l'utilisation.

ATTENTION : Une fois le travail terminé, mettez toujours l'outil hors tension et attendez l'arrêt complet de la meule avant de déposer l'outil.

ATTENTION : Tenez TOUJOURS l'outil fermement, avec une main sur le carter de l'outil et l'autre main sur la poignée latérale (poignée).

Meulage et ponçage

► **Fig.9**

Faites démarrer l'outil, puis appliquez la meule ou le disque sur la pièce à travailler.

En général, maintenez le bord de la meule ou du disque à un angle d'environ 15° par rapport à la surface de la pièce à travailler.

Pendant la période de rodage d'une meule neuve, ne faites pas avancer la meuleuse dans le sens avant sous peine de couper la pièce à travailler. Une fois le bord de la meule rodé, la meule peut être utilisée dans les sens avant et arrière.

Utilisation avec une meule à tronçonner abrasive/meule diamantée

Accessoire en option

⚠️ AVERTISSEMENT : Pendant l'utilisation d'une meule à tronçonner abrasive/meule diamantée, vous devez utiliser exclusivement le carter de meule spécialement conçu pour les meules à tronçonner.

(Dans certains pays d'Europe, il est possible d'utiliser le carter de protection ordinaire avec une meule diamantée. Respectez la réglementation en vigueur dans votre pays.)

⚠️ AVERTISSEMENT : N'utilisez JAMAIS une meule à tronçonner pour faire du meulage latéral.

⚠️ AVERTISSEMENT : Évitez de « bloquer » la meule ou d'appliquer une pression excessive. N'essayez pas de couper trop profondément. Un travail trop intense augmente la charge de l'outil, peut forcer la meule à se tordre ou à coincer dans la pièce, ce qui comporte un risque de choc en retour, d'éclatement de la meule ou de surchauffe du moteur.

⚠️ AVERTISSEMENT : Ne commencez pas la coupe avec l'outil engagé dans la pièce à travailler. Attendez que la meule ait atteint sa pleine vitesse, puis faites pénétrer l'outil prudemment dans la ligne de coupe en le faisant avancer à la surface de la pièce à travailler. La meule peut se coincer, remonter hors de la ligne de coupe ou effectuer un choc en retour si vous faites démarrer l'outil électrique alors qu'il est engagé dans la pièce à travailler.

⚠️ AVERTISSEMENT : Ne modifiez jamais l'angle de la meule pendant l'exécution de la coupe. L'application d'une pression latérale sur la meule à tronçonner (comme pour le meulage) fera se fissurer et éclater la meule, ce qui comporte un risque de blessure grave.

⚠️ AVERTISSEMENT : Une meule diamantée doit être utilisée perpendiculairement au matériau à couper.

- Fig.10: 1. Contre-écrou 2. Meule à tronçonner abrasive/Meule diamantée 3. Flasque intérieur 4. Carter de meule pour meule à tronçonner abrasive/meule diamantée

Pour la pose, suivez les instructions de la meule à moyeu déporté.

Le sens de montage du contre-écrou et du flasque intérieur varie suivant le type et l'épaisseur de la meule. Reportez-vous aux figures suivantes.

Lors de la pose de la meule à tronçonner abrasive :

- Fig.11: 1. Contre-écrou 2. Meule à tronçonner abrasive (Inférieure à 4 mm) 3. Meule à tronçonner abrasive (4 mm ou plus) 4. Flasque intérieur

Lors de la pose de la meule diamantée :

- Fig.12: 1. Contre-écrou 2. Meule diamantée (Inférieure à 4 mm) 3. Meule diamantée (4 mm ou plus) 4. Flasque intérieur

Utilisation avec la brosse métallique à coupelle

Accessoire en option

⚠️ ATTENTION : Vérifiez le fonctionnement de la brosse en faisant tourner l'outil à vide, après vous être assuré que personne ne se trouve devant ou dans la trajectoire de la brosse.

⚠️ ATTENTION : N'utilisez pas la brosse si elle est abîmée ou déséquilibrée. L'utilisation d'une brosse abîmée augmente le risque de blessure au contact des fils métalliques cassés de la brosse.

- Fig.13: 1. Brosse métallique à coupelle

Débranchez l'outil et retournez-le pour accéder facilement à l'axe.

Retirez tout accessoire présent sur l'axe. Vissez la brosse métallique à coupelle sur l'axe et serrez-la à l'aide de la clé fournie.

REMARQUE : Évitez d'appliquer une pression excessive pour éviter de trop courber les fils lors de l'utilisation de la brosse. Ce qui pourrait provoquer leur usure prématurée.

Utilisation avec la brosse métallique circulaire

Accessoire en option

⚠️ ATTENTION : Vérifiez le fonctionnement de la brosse métallique circulaire en faisant tourner l'outil à vide, après vous être assuré que personne ne se trouve devant ou dans la trajectoire de la brosse métallique circulaire.

⚠️ ATTENTION : N'utilisez pas la brosse métallique circulaire si elle est abîmée ou déséquilibrée. L'utilisation d'une brosse métallique circulaire abîmée augmente le risque de blessure au contact des fils métalliques cassés de la brosse.

⚠️ ATTENTION : Utilisez TOUJOURS le carter de protection avec les brosses métalliques circulaires, en vous assurant que le diamètre de la meule tient dans le carter de protection. La brosse peut se briser en éclats pendant l'utilisation ; le cas échéant, le carter contribue à réduire les risques de blessure.

- Fig.14: 1. Brosse métallique circulaire

Débranchez l'outil et retournez-le pour accéder facilement à l'axe.

Retirez tout accessoire présent sur l'axe. Vissez la brosse métallique circulaire sur l'axe et serrez-la à l'aide des clés.

REMARQUE : Évitez d'appliquer une pression excessive pour éviter de trop courber les fils lors de l'utilisation de la brosse métallique circulaire. Ce qui pourrait provoquer leur usure prématurée.

ENTRETIEN

⚠ ATTENTION : Assurez-vous toujours que l'outil est hors tension et débranché avant d'y effectuer tout travail d'inspection ou d'entretien.

REMARQUE : N'utilisez jamais d'essence, benzine, diluant, alcool ou autre produit similaire. Cela risquerait de provoquer la décoloration, la déformation ou la fissuration de l'outil.

Nettoyage des orifices d'aération

L'outil et ses orifices d'aération doivent être conservés propres. Nettoyez régulièrement les orifices d'aération de l'outil ou dès qu'ils sont obstrués.

► **Fig.15:** 1. Orifice de sortie d'air 2. Orifice d'entrée d'air

Pour assurer la SÉCURITÉ et la FIABILITÉ du produit, toute réparation, tout travail d'entretien ou de réglage doivent être effectués par un centre d'entretien Makita agréé, avec des pièces de rechange Makita.

ACCESSOIRES EN OPTION

⚠ ATTENTION : Ces accessoires ou pièces complémentaires sont recommandés pour l'utilisation avec l'outil Makita spécifié dans ce mode d'emploi. L'utilisation de tout autre accessoire ou pièce complémentaire peut comporter un risque de blessure. N'utilisez les accessoires ou pièces complémentaires qu'aux fins auxquelles ils ont été conçus.

Pour obtenir plus de détails sur ces accessoires, contactez votre centre d'entretien local Makita.

► **Fig.16**

-	Modèle 115 mm	Modèle 125 mm
1	Poignée 36	
2	Carter de meule (pour meule ordinaire)	
3	Flasque intérieur/Super flasque	
4	Meule à moyeu déporté/Disque à lamelles	
5	Contre-écrou	
6	Semelle	
7	Meule flexible	
8	Coussinet de caoutchouc 100	Coussinet de caoutchouc 115
9	Disque abrasif	
10	Contre-écrou de ponçage	
11	Brosse métallique circulaire	
12	Brosse métallique à coupelle	
13	Carter de meule (pour meule à tronçonner) *1	
14	Meule à tronçonner abrasive/Meule diamantée	
-	Clé à contre-écrou	

NOTE : *1 Dans certains pays d'Europe, avec une meule diamantée, il est possible d'utiliser le carter de protection ordinaire au lieu du carter spécial qui recouvre les deux côtés de la meule. Respectez la réglementation en vigueur dans votre pays.

NOTE : Il se peut que certains éléments de la liste soient compris dans l'emballage de l'outil en tant qu'accessoires standard. Ils peuvent varier d'un pays à l'autre.

TECHNISCHE DATEN

Modell:	9557HNR	9558HNR
Scheibendurchmesser	115 mm	125 mm
Max. Scheibendicke	7,2 mm	
Spindelgewinde	M14 oder 5/8" (länderspezifisch)	
Nenn Drehzahl (n)	11.000 min ⁻¹	
Gesamtlänge	271 mm	
Nettogewicht	2,0 kg	2,1 kg
Sicherheitsklasse	□/II	

- Wir behalten uns vor, Änderungen der technischen Daten im Zuge der Entwicklung und des technischen Fortschritts ohne vorherige Ankündigung vorzunehmen.
- Die technischen Daten können von Land zu Land unterschiedlich sein.
- Gewicht nach EPTA-Verfahren 01/2003

Vorgesehene Verwendung

Das Werkzeug ist für das Schleifen, Schmirgeln und Schneiden von Metall- und Steinmaterial ohne den Gebrauch von Wasser vorgesehen.

Stromversorgung

Das Werkzeug sollte nur an eine Stromquelle angeschlossen werden, deren Spannung mit der Angabe auf dem Typenschild übereinstimmt, und kann nur mit Einphasen-Wechselstrom betrieben werden. Diese sind doppelt schutzisoliert und können daher auch an Steckdosen ohne Erdleiter verwendet werden.

Geräusch

Typischer A-bewerteter Geräuschpegel ermittelt gemäß EN60745:

Schalldruckpegel (L_{pA}): 86 dB (A)
 Schallleistungspegel (L_{WA}): 97 dB (A)
 Messunsicherheit (K): 3 dB (A)

⚠️ WARNUNG: Einen Gehörschutz tragen.

Schwingungen

Schwingungsgesamtwert (Drei-Achsen-Vektorsumme) ermittelt gemäß EN60745:

Modell 9557HNR

Arbeitsmodus: Oberflächenschleifen
 Vibrationsemission (a_{h,AG}): 7,5 m/s²
 Messunsicherheit (K): 1,5 m/s²
 Arbeitsmodus: Scheibenschleifen
 Vibrationsemission (a_{h,DS}): 2,5 m/s² oder weniger
 Messunsicherheit (K): 1,5 m/s²

Modell 9558HNR

Arbeitsmodus: Oberflächenschleifen
 Vibrationsemission (a_{h,AG}): 8,5 m/s²
 Messunsicherheit (K): 1,5 m/s²
 Arbeitsmodus: Scheibenschleifen
 Vibrationsemission (a_{h,DS}): 2,5 m/s² oder weniger
 Messunsicherheit (K): 1,5 m/s²

HINWEIS: Der angegebene Schwingungsemissionswert wurde im Einklang mit der Standardprüfmethode gemessen und kann für den Vergleich zwischen Werkzeugen herangezogen werden.

HINWEIS: Der angegebene Schwingungsemissionswert kann auch für eine Vorbewertung des Gefährdungsgrads verwendet werden.

⚠️ WARNUNG: Die Schwingungsemission während der tatsächlichen Benutzung des Elektrowerkzeugs kann je nach der Benutzungsweise des Werkzeugs vom angegebenen Emissionswert abweichen.

⚠️ WARNUNG: Identifizieren Sie Sicherheitsmaßnahmen zum Schutz des Benutzers anhand einer Schätzung des Gefährdungsgrads unter den tatsächlichen Benutzungsbedingungen (unter Berücksichtigung aller Phasen des Arbeitszyklus, wie z. B. Ausschalt- und Leerlaufzeiten des Werkzeugs zusätzlich zur Betriebszeit).

⚠️ WARNUNG: Der angegebene Schwingungsemissionswert wird für Hauptanwendungen des Elektrowerkzeugs verwendet. Wird das Elektrowerkzeug jedoch für andere Anwendungen verwendet, kann der Schwingungsemissionswert abweichen.

EG-Konformitätserklärung

Nur für europäische Länder

Makita erklärt, dass die folgende(n) Maschine(n):
 Bezeichnung der Maschine: Winkelschleifer
 Modell-Nr./Typ: 9557HNR, 9558HNR
 Entspricht den folgenden europäischen Richtlinien:
 2006/42/EG

Sie werden gemäß den folgenden Standards oder standardisierten Dokumenten hergestellt: EN60745
 Die technische Akte in Übereinstimmung mit 2006/42/EG ist erhältlich von:
 Makita, Jan-Baptist Vinkstraat 2, 3070, Belgien
 4.6.2015

Allgemeine Sicherheitswarnungen für Elektrowerkzeuge

⚠️ WARNUNG: Lesen Sie alle Sicherheitswarnungen und Anweisungen durch. Eine Missachtung der unten aufgeführten Warnungen und Anweisungen kann zu einem elektrischen Schlag, Brand und/oder schweren Verletzungen führen.

Bewahren Sie alle Warnungen und Anweisungen für spätere Bezugnahme auf.

Der Ausdruck „Elektrowerkzeug“ in den Warnhinweisen bezieht sich auf Ihr mit Netzstrom (mit Kabel) oder Akku (ohne Kabel) betriebenes Elektrowerkzeug.

Sicherheitswarnungen für Schleifmaschine

Allgemeine Sicherheitswarnungen für Schleif-, Schmirgel-, Drahtbürsten- oder Trennschleifbetrieb:

- Dieses Elektrowerkzeug ist für Schleifen, Schmirgeln, Drahtbürsten oder Trennschleifen vorgesehen. Lesen Sie alle mit diesem Elektrowerkzeug gelieferten Sicherheitswarnungen, Anweisungen, Abbildungen und technischen Daten durch.** Eine Missachtung der unten aufgeführten Anweisungen kann zu einem elektrischen Schlag, Brand und/oder schweren Verletzungen führen.
 - Arbeiten, wie Polieren, sind mit diesem Elektrowerkzeug nicht zu empfehlen.** Benutzungsweisen, für die das Elektrowerkzeug nicht ausgelegt ist, können Gefahren erzeugen und Personenschäden verursachen.
 - Verwenden Sie kein Zubehör, das nicht speziell vom Werkzeughersteller vorgesehen ist und empfohlen wird.** Die bloße Tatsache, dass ein Zubehörteil an Ihrem Elektrowerkzeug angebracht werden kann, gewährleistet noch keinen sicheren Betrieb.
 - Die Nenndrehzahl des Zubehörteils muss mindestens der am Elektrowerkzeug angegebenen Maximaldrehzahl entsprechen.** Zubehörteile, die schneller als ihre Nenndrehzahl rotieren, können bersten und auseinander fliegen.
 - Außendurchmesser und Dicke des Zubehörteils müssen innerhalb der Kapazitätsgrenzen Ihres Elektrowerkzeugs liegen.** Zubehörteile der falschen Größe können nicht angemessen geschützt oder kontrolliert werden.
 - Die Gewindehalterung von Zubehörteilen muss genau dem Spindelgewinde der Schleifmaschine entsprechen. Bei Zubehörteilen, die durch Flansche montiert werden, muss die Spindelbohrung dem Positionierdurchmesser des Flansches**
- angepasst sein.** Zubehörteile, die nicht genau auf den Montageflansch des Elektrowerkzeugs passen, laufen unrund, vibrieren übermäßig und können einen Verlust der Kontrolle verursachen.
- Verwenden Sie keine beschädigten Zubehörteile. Überprüfen Sie die Zubehörteile vor jedem Gebrauch: z. B. Schleifscheiben auf Absplinterungen und Risse, Schleifteller auf Risse, Brüche oder übermäßigen Verschleiß, Drahtbürsten auf lose oder rissige Drähte. Falls das Elektrowerkzeug oder das Zubehörteil herunterfällt, überprüfen Sie es auf Beschädigung, oder montieren Sie ein unbeschädigtes Zubehörteil. Achten Sie nach der Überprüfung und Installation eines Zubehörteils darauf, dass Sie selbst und Umstehende nicht in der Rotationsenebene des Zubehörteils stehen, und lassen Sie das Elektrowerkzeug eine Minute lang mit maximaler Leerlaufdrehzahl laufen.** Ein beschädigtes Zubehörteil bricht normalerweise während dieses Probelaufs auseinander.
 - Tragen Sie Schutzausrüstung. Benutzen Sie je nach der Arbeit einen Gesichtsschutz bzw. eine Sicherheits- oder Schutzbrille. Tragen Sie bei Bedarf eine Staubmaske, Ohrschützer, Handschuhe und eine Arbeitsschürze, die in der Lage ist, kleine Schleifpartikel oder Werkstücksplitter abzuwehren.** Der Augenschutz muss in der Lage sein, den bei verschiedenen Arbeiten anfallenden Flugstaub abzuwehren. Die Staubmaske oder Atemschutzmaske muss in der Lage sein, durch die Arbeit erzeugte Partikel herauszufiltern. Lang anhaltende Lärmbelastung kann zu Gehörschäden führen.
 - Halten Sie Umstehende in sicherem Abstand vom Arbeitsbereich. Jeder, der den Arbeitsbereich betritt, muss persönliche Schutzausrüstung tragen.** Bruchstücke des Werkstücks oder eines beschädigten Zubehörteils können weggeschleudert werden und Verletzungen über den unmittelbaren Arbeitsbereich hinaus verursachen.
 - Halten Sie das Elektrowerkzeug nur an den isolierten Griffflächen, wenn Sie Arbeiten ausführen, bei denen die Gefahr besteht, dass das Schneidzubehör verborgene Kabel oder das eigene Kabel kontaktiert.** Bei Kontakt mit einem Strom führenden Kabel können die freiliegenden Metallteile des Elektrowerkzeugs ebenfalls Strom führend werden, so dass der Benutzer einen elektrischen Schlag erleiden kann.
 - Halten Sie das Kabel vom rotierenden Zubehörteil fern.** Falls Sie die Kontrolle verlieren, kann das Kabel durchgetrennt oder erfasst werden, so dass Ihre Hand oder Ihr Arm in das rotierende Zubehörteil hineingezogen wird.
 - Legen Sie das Elektrowerkzeug erst ab, nachdem das Zubehörteil zum vollständigen Stillstand gekommen ist.** Anderenfalls kann das rotierende Zubehörteil die Oberfläche erfassen und das Elektrowerkzeug aus Ihren Händen reißen.
 - Lassen Sie das Elektrowerkzeug nicht laufen, während Sie es an Ihrer Seite tragen.** Das rotierende Zubehörteil könnte sonst bei versehentlichem Kontakt Ihre Kleidung erfassen und auf Ihren Körper zu gezogen werden.

14. **Reinigen Sie die Ventilationsöffnungen des Elektrowerkzeugs regelmäßig.** Der Lüfter des Motors saugt Staub in das Gehäuse an, und starke Ablagerungen von Metallstaub können elektrische Gefahren verursachen.
15. **Betreiben Sie das Elektrowerkzeug nicht in der Nähe von brennbaren Materialien.** Funken könnten diese Materialien entzünden.
16. **Verwenden Sie keine Zubehörteile, die Kühlfüssigkeiten erfordern.** Die Verwendung von Wasser oder anderen Kühlfüssigkeiten kann zu einem Stromschlag führen.

Warnungen vor Rückschlag und damit zusammenhängenden Gefahren

Ein Rückschlag ist eine plötzliche Reaktion auf Klemmen oder Hängenbleiben der Schleifscheibe, des Schleiftellers, der Drahtbürste oder eines anderen Zubehörteils. Klemmen oder Hängenbleiben verursacht sofortiges Stocken des rotierenden Zubehörteils, was wiederum dazu führt, dass das außer Kontrolle geratene Elektrowerkzeug am Stockpunkt in die entgegengesetzte Drehrichtung des Zubehörs geschleudert wird. Wenn beispielsweise eine Schleifscheibe vom Werkstück erfasst oder eingeklemmt wird, kann sich die in den Klemmpunkt eindringende Schleifscheibenkante in die Materialoberfläche bohren, so dass sie herauspringt oder zurückschlägt. Je nach der Drehrichtung der Schleifscheibe am Klemmpunkt kann die Schleifscheibe auf die Bedienungsperson zu oder von ihr weg springen. Schleifscheiben können unter solchen Bedingungen auch brechen. Rückschlag ist das Resultat falscher Handhabung des Elektrowerkzeugs und/oder falscher Arbeitsverfahren oder -bedingungen und kann durch Anwendung der nachstehenden Vorsichtsmaßnahmen vermieden werden.

1. **Halten Sie das Elektrowerkzeug mit festem Griff, und positionieren Sie Ihren Körper und Arm so, dass Sie die Rückschlagkräfte auffangen können. Benutzen Sie stets den Zusatzgriff, wenn vorhanden, um maximale Kontrolle über Rückschlag oder Drehbewegungen während des Anlaufs zu haben.** Drehbewegungen oder Rückschlagkräfte können kontrolliert werden, wenn entsprechende Vorkehrungen getroffen werden.
2. **Legen Sie Ihre Hand niemals in die Nähe des rotierenden Zubehörteils.** Bei einem Rückschlag könnte das Zubehörteil Ihre Hand verletzen.
3. **Stellen Sie sich nicht in den Bereich, in den das Elektrowerkzeug bei Auftreten eines Rückschlags geschleudert wird.** Der Rückschlag schleudert das Werkzeug am Stockpunkt in die entgegengesetzte Drehrichtung der Schleifscheibe.
4. **Lassen Sie beim Bearbeiten von Ecken und scharfen Kanten usw. besondere Vorsicht walten. Achten Sie darauf, dass das Zubehörteil nicht springt oder hängen bleibt.** Ecken, scharfe Kanten oder Anstoßen führen leicht zu Hängenbleiben des rotierenden Zubehörteils und verursachen Verlust der Kontrolle oder Rückschlag.
5. **Montieren Sie keine Sägeketten, Holzfräsen oder gezahnte Sägeblätter.** Solche Zubehörteile verursachen häufige Rückschläge und Verlust der Kontrolle.

Sicherheitswarnungen speziell für Schleif- und Trennschleifbetrieb:

1. **Verwenden Sie nur Schleifscheiben, die für Ihr Elektrowerkzeug empfohlen werden, und die für die ausgewählte Schleifscheibe vorgesehene Schutzhaube.** Schleifscheiben, die nicht für das Elektrowerkzeug geeignet sind, können nicht angemessen abgeschrägt werden und sind unsicher.
2. **Die Schleiffläche von gekrüpfen Trennschleifscheiben muss unterhalb der Ebene der Schutzlippe montiert werden.** Eine falsch montierte Schleifscheibe, die über die Ebene der Schutzlippe hinausragt, kann nicht angemessen geschützt werden.
3. **Die Schutzhaube muss sicher am Elektrowerkzeug befestigt und für maximale Sicherheit positioniert werden, um den auf die Bedienungsperson gerichteten Schleifscheibenbetrag minimal zu halten.** Die Schutzhaube schützt den Bediener vor Schleifscheiben-Bruchstücken, versehentlichem Kontakt mit der Schleifscheibe und Funken, welche die Kleidung in Brand setzen könnten.
4. **Schleifscheiben dürfen nur für empfohlene Anwendungen eingesetzt werden. Zum Beispiel: Nicht mit der Seite einer Trennscheibe schleifen.** Trennschleifscheiben sind für Peripherieschleifen vorgesehen. Falls seitliche Kräfte auf diese Scheiben einwirken, können sie zerbrechen.
5. **Verwenden Sie stets unbeschädigte Scheibenflansche der korrekten Größe und Form für die ausgewählte Schleifscheibe.** Korrekte Scheibenflansche stützen die Schleifscheibe und reduzieren somit die Möglichkeit eines Scheibenbruchs. Flansche für Trennscheiben können sich von solchen für Schleifscheiben unterscheiden.
6. **Verwenden Sie keine abgenutzten Schleifscheiben von größeren Elektrowerkzeugen.** Schleifscheiben für größere Elektrowerkzeuge eignen sich nicht für die höhere Drehzahl eines kleineren Werkzeugs und können bersten.

Zusätzliche Sicherheitswarnungen speziell für Trennschleifbetrieb:

1. **Vermeiden Sie „Verkanten“ der Trennscheibe oder die Ausübung übermäßigen Drucks. Versuchen Sie nicht, übermäßig tiefe Schnitte zu machen.** Überbeanspruchung der Schleifscheibe erhöht die Belastung und die Empfänglichkeit für Verdrehen oder Klemmen der Schleifscheibe im Schnitt sowie die Möglichkeit von Rückschlag oder Scheibenbruch.
2. **Stellen Sie sich nicht so, dass sich Ihr Körper in einer Linie mit der rotierenden Schleifscheibe oder hinter dieser befindet.** Wenn sich die Schleifscheibe am Arbeitspunkt von Ihrem Körper weg bewegt, kann ein möglicher Rückschlag die rotierende Schleifscheibe und das Elektrowerkzeug direkt auf Sie zu schleudern.
3. **Falls die Trennscheibe klemmt oder der Schnitt aus irgendeinem Grund unterbrochen wird, schalten Sie das Elektrowerkzeug aus und halten Sie es bewegungslos im Werkstück, bis die Trennscheibe zum völligen Stillstand kommt. Versuchen Sie auf keinen Fall, die rotierende Trennscheibe aus dem Schnitt zu entfernen, weil sonst ein Rückschlag auftreten kann.** Nehmen Sie eine Überprüfung vor, und treffen Sie Abhilfemaßnahmen, um die Ursache von Trennscheiben-Klemmen zu beseitigen.

4. **Setzen Sie den Schnittbetrieb nicht mit im Werkstück sitzender Trennscheibe fort. Führen Sie die Trennscheibe vorsichtig in den Schnitt ein, nachdem sie die volle Drehzahl erreicht hat.** Wird das Elektrowerkzeug mit im Werkstück sitzender Trennscheibe eingeschaltet, kann die Trennscheibe Klemmen, hochsteigen oder zurückschlagen.
5. **Stützen Sie Platten oder andere übergroße Werkstücke ab, um die Gefahr von Klemmen oder Rückschlag der Trennscheibe zu minimieren.** Große Werkstücke neigen dazu, unter ihrem Eigengewicht durchzuhängen. Die Stützen müssen beidseitig der Trennscheibe nahe der Schnittlinie und in der Nähe der Werkstückkante unter das Werkstück platziert werden.
6. **Lassen Sie besondere Vorsicht walten, wenn Sie einen „Taschenschnitt“ in bestehende Wände oder andere Blindflächen durchführen.** Die vorstehende Trennscheibe kann Gas- oder Wasserleitungen, Stromkabel oder Objekte durchschneiden, die Rückschlag verursachen können.

Sicherheitswarnungen speziell für Schmirgelbetrieb:

1. **Verwenden Sie keine übergroßen Schleifpapierscheiben. Befolgen Sie die Herstellerempfehlungen bei der Wahl des Schleifpapiers.** Größeres Schleifpapier, das über den Schleifteller hinausragt, stellt eine Gefahr für Schnittwunden dar und kann Hängenbleiben oder Zerreißen der Schleifscheibe oder Rückschlag verursachen.

Sicherheitswarnungen speziell für Drahtbürstenbetrieb:

1. **Beachten Sie, dass Drahtborsten auch bei normalem Betrieb von der Drahtbürste herausgeschleudert werden. Überbeanspruchen Sie die Drähte nicht durch Ausübung übermäßigen Drucks auf die Drahtbürste.** Die Drahtborsten können ohne weiteres leichte Kleidung und/oder Haut durchdringen.
2. **Wenn der Einsatz einer Schutzhaube für Drahtbürsten empfohlen wird, achten Sie darauf, dass die Drahtscheibe oder die Drahtbürste nicht mit der Schutzhaube in Berührung kommt.** Der Durchmesser der Drahtscheibe oder Drahtbürste kann sich aufgrund der Arbeitslast und der Fliehkräfte vergrößern.

Zusätzliche Sicherheitswarnungen:

1. **Verwenden Sie nur glasfaserverstärkte Scheiben als gekrüpfte Trennschleifscheiben.**
2. **Verwenden Sie NIEMALS Stein-Topschleifscheiben mit dieser Schleifmaschine.** Diese Schleifmaschine ist nicht für derartige Schleifscheiben ausgelegt, und der Gebrauch eines solchen Produkts kann zu schweren Personenschäden führen.
3. **Achten Sie sorgfältig darauf, dass Spindel, Flansch (insbesondere die Ansatzfläche) und Sicherungsmutter nicht beschädigt werden. Eine Beschädigung dieser Teile kann zu einem Scheibenbruch führen.**
4. **Vergewissern Sie sich vor dem Einschalten des Werkzeugs, dass die Schleifscheibe nicht das Werkstück berührt.**

5. **Lassen Sie das Werkzeug vor der eigentlichen Bearbeitung eines Werkstücks eine Weile laufen. Achten Sie auf Vibrationen oder Taumelbewegungen, die Anzeichen für schlechte Montage oder eine schlecht ausgewuchtete Schleifscheibe sein können.**
6. **Verwenden Sie nur die vorgeschriebene Fläche der Schleifscheibe für Schleifarbeiten.**
7. **Lassen Sie das Werkzeug nicht unbeaufsichtigt laufen. Benutzen Sie das Werkzeug nur im handgeführten Einsatz.**
8. **Vermeiden Sie eine Berührung des Werkstücks unmittelbar nach der Bearbeitung, weil es dann noch sehr heiß ist und Hautverbrennungen verursachen kann.**
9. **Befolgen Sie die Anweisungen des Herstellers für korrekte Montage und Verwendung von Schleifscheiben. Behandeln und lagern Sie Schleifscheiben mit Sorgfalt.**
10. **Verwenden Sie keine getrennten Reduzierbuchsen oder Adapter zur Anpassung von Schleifscheiben mit großem Lochdurchmesser.**
11. **Verwenden Sie nur die für dieses Werkzeug vorgeschriebenen Flansche.**
12. **Wenn eine Trennscheibe mit Gewindebohrung am Werkzeug montiert werden soll, achten Sie darauf, dass ihr Gewinde tief genug für die Spindellänge ist.**
13. **Vergewissern Sie sich, dass das Werkstück sicher abgestützt ist.**
14. **Beachten Sie, dass sich die Schleifscheibe nach dem Ausschalten des Werkzeugs noch weiterdreht.**
15. **Falls der Arbeitsplatz sehr heiß, feucht oder durch leitfähigen Staub stark verschmutzt ist, verwenden Sie einen Kurzschlusschalter (30 mA) zum Schutz des Bedieners.**
16. **Verwenden Sie dieses Werkzeug nicht zur Bearbeitung von asbesthaltigen Materialien.**
17. **Verwenden Sie bei Arbeiten mit der Trennscheibe immer eine gesetzlich vorgeschriebene Staubabsaughaube.**
18. **Schneidscheiben dürfen keinem seitlichen Druck ausgesetzt werden.**
19. **Verwenden Sie keine Arbeitshandschuhe aus Stoff während der Arbeit.** Fasern von Stoffhandschuhen können in das Werkzeug gelangen, was zu einer Beschädigung des Werkzeugs führen kann.

DIESE ANWEISUNGEN AUFBEWAHREN.

⚠️ WARNUNG: Lassen Sie sich NICHT durch Bequemlichkeit oder Vertrautheit mit dem Produkt (durch wiederholten Gebrauch erworben) von der strikten Einhaltung der Sicherheitsregeln für das vorliegende Produkt abhalten. MISSBRAUCH oder Missachtung der Sicherheitsvorschriften in dieser Anleitung können schwere Personenschäden verursachen.

FUNKTIONSBESCHREIBUNG

⚠ VORSICHT: Vergewissern Sie sich vor jeder Einstellung oder Funktionsprüfung des Werkzeugs stets, dass es ausgeschaltet und vom Stromnetz getrennt ist.

Spindelarretierung

Drücken Sie die Spindelarretierung, um die Spindel zum Montieren oder Demontieren von Zubehör zu blockieren.

► **Abb.1:** 1. Spindelarretierung

ANMERKUNG: Betätigen Sie die Spindelarretierung niemals bei rotierender Spindel. Das Werkzeug kann sonst beschädigt werden.

Schalterfunktion

⚠ VORSICHT: Vergewissern Sie sich vor dem Anschließen des Werkzeugs stets, dass der Schiebeschalter ordnungsgemäß funktioniert und beim Drücken der Rückseite in die AUS-Stellung zurückkehrt.

⚠ VORSICHT: Der Schalter kann zur Arbeitserleichterung bei längerem Einsatz in der EIN-Stellung verriegelt werden. Lassen Sie Vorsicht walten, wenn Sie den Schalter in der EIN-Stellung verriegeln, und halten Sie das Werkzeug mit festem Griff.

Zum Einschalten des Werkzeugs schieben Sie den Schalter auf die Position „I“ (EIN), indem Sie die Rückseite des Schiebeschalters drücken. Für Dauerbetrieb rasten Sie den Schalter durch Drücken seiner Vorderseite ein.

Zum Ausschalten des Werkzeugs die Rückseite des Schiebeschalters drücken, und dann den Schalter auf die Stellung „O“ (AUS) schieben.

► **Abb.2:** 1. Schiebeschalter

Schutz vor ungewolltem Neustart

Das Werkzeug läuft bei gesperrtem Schalter nicht an, selbst wenn der Netzstecker eingesteckt ist. Um den Schutz vor ungewolltem Neustart aufzuheben, stellen Sie den Hauptschalter wieder auf die Position AUS.

HINWEIS: Warten Sie länger als eine Sekunde, bevor Sie das Werkzeug wieder in Betrieb nehmen, wenn der Schutz vor ungewolltem Neustart aktiviert wird.

HINWEIS: Wenn das Werkzeug überlastet wird und seine Temperatur ein bestimmtes Niveau erreicht, kann es automatisch stehenbleiben. Lassen Sie das Werkzeug in dieser Situation abkühlen, bevor Sie es wieder einschalten.

Soft-Start-Funktion

Die Soft-Start-Funktion reduziert den Anlaufstoß.

MONTAGE

⚠ VORSICHT: Vergewissern Sie sich vor der Ausführung von Arbeiten am Werkzeug stets, dass es ausgeschaltet und vom Stromnetz getrennt ist.

Montieren des Seitengriffs (Handgriffs)

⚠ VORSICHT: Vergewissern Sie sich vor dem Betrieb stets, dass der Seitengriff einwandfrei montiert ist.

Schrauben Sie den Seitengriff an der in der Abbildung gezeigten Position fest an das Werkzeug.

► **Abb.3**

Montieren oder Demontieren der Schutzhaube (für gekröpfte Trennschleifscheibe, Fächerscheibe, Flexscheibe, Rotordrahtbürste / Trennschleifscheibe, Diamantscheibe)

⚠ WARNUNG: Wenn Sie eine gekröpfte Trennschleifscheibe, Fächerscheibe, Flexscheibe oder Rotordrahtbürste benutzen, muss die Schutzhaube so am Werkzeug angebracht werden, dass ihre geschlossene Seite immer zum Bediener gerichtet ist.

⚠ WARNUNG: Benutzen Sie beim Arbeiten mit einer Trennschleifscheibe/Diamantscheibe nur die spezielle Schutzhaube, die für den Einsatz mit Trennscheiben ausgelegt ist.

(In manchen europäischen Ländern kann bei Verwendung einer Diamantscheibe die gewöhnliche Schutzhaube benutzt werden. Befolgen Sie die Vorschriften in Ihrem Land.)

Montieren Sie die Schutzhaube so, dass die Vorsprünge am Schutzhaubenring auf die Nuten im Lagergehäuse ausgerichtet sind. Drehen Sie dann die Schutzhaube auf einen Winkel, bei dem der Benutzer entsprechend der Arbeit optimal geschützt wird. Ziehen Sie die Schraube fest an.

Zum Demontieren der Schutzhaube ist das Montageverfahren umgekehrt anzuwenden.

► **Abb.4:** 1. Schutzhaube 2. Lagergehäuse
3. Schraube

Montieren oder Demontieren einer gekröpften Trennschleifscheibe oder Fächerscheibe

Sonderzubehör

⚠️ WARNUNG: Wenn Sie eine gekröpfte Trennschleifscheibe oder Fächerscheibe benutzen, muss die Schutzhaube so am Werkzeug angebracht werden, dass ihre geschlossene Seite immer zum Bediener gerichtet ist.

⚠️ VORSICHT: Vergewissern Sie sich, dass der Montage teil des Innenflansches genau in den Innendurchmesser der gekröpften Trennschleifscheibe / Fächerscheibe passt. Die Montage des Innenflansches auf der falschen Seite kann zu gefährlichen Vibrationen führen.

Montieren Sie den Innenflansch an der Spindel. Vergewissern Sie sich, dass der gezahnte Teil des Innenflansches auf dem geraden Teil am unteren Ende der Spindel sitzt.

Passen Sie die gekröpfte Trennschleifscheibe / Fächerscheibe auf den Innenflansch, und schrauben Sie die Sicherungsmutter auf die Spindel.

► **Abb.5:** 1. Sicherungsmutter 2. Gekröpfte Trennschleifscheibe 3. Innenflansch 4. Montage teil

Zum Anziehen der Sicherungsmutter die Spindelarre tierung drücken, um die Spindel zu blockieren; dann die Mutter mit dem Sicherungsmutterschlüssel im Uhrzeigersinn anziehen.

► **Abb.6:** 1. Sicherungsmutterschlüssel 2. Spindelarre tierung

Zum Demontieren der Schleifscheibe ist das Montageverfahren umgekehrt anzuwenden.

Superflansch

Sonderzubehör

Nur für Modelle mit M14-Spindelgewinde.

Modelle mit dem Buchstaben F sind standardmäßig mit einem Superflansch ausgestattet. Im Gegensatz zum herkömmlichen Typ wird nur 1/3 des Kraftaufwands zum Lösen der Sicherungsmutter benötigt.

Anbringen oder Abnehmen einer Flexscheibe

Sonderzubehör

⚠️ WARNUNG: Benutzen Sie immer die mitgelieferte Schutzhaube, wenn eine Flexscheibe am Werkzeug montiert ist. Die Schutzhaube reduziert die Gefahr von Personenschäden, falls die Scheibe während des Betriebs zerbricht.

► **Abb.7:** 1. Sicherungsmutter 2. Flexscheibe 3. Stützteller 4. Innenflansch

Folgen Sie den Anweisungen für eine gekröpfte Trennschleifscheibe, aber benutzen Sie auch eine Stützteller auf der Schleifscheibe. Die Montagereihenfolge ist auf der Zubehörseite in dieser Anleitung ersichtlich.

Anbringen oder Abnehmen eines Schleifblatts

Sonderzubehör

► **Abb.8:** 1. Schleifscheiben-Sicherungsmutter 2. Schleifblatt 3. Gummiteller

1. Montieren Sie den Gummiteller an der Spindel.
2. Setzen Sie das Schleifblatt auf den Gummiteller, und schrauben Sie die Schleifscheiben-Sicherungsmutter auf die Spindel.
3. Halten Sie die Spindel mit der Spindelarre tierung, und ziehen Sie die Schleifscheiben-Sicherungsmutter mit dem Sicherungsmutterschlüssel im Uhrzeigersinn fest.

Zum Demontieren des Schleifblatts ist das Montageverfahren umgekehrt anzuwenden.

HINWEIS: Verwenden Sie die in dieser Anleitung angegebenen Schleifer-Zubehörteile. Diese Teile müssen getrennt gekauft werden.

BETRIEB

⚠️ WARNUNG: Das Werkzeug darf auf keinen Fall gewaltsam angedrückt werden. Das Eigengewicht des Werkzeugs übt ausreichenden Druck aus. Gewaltanwendung und übermäßiger Druck können zu einem gefährlichen Schleifscheibenbruch führen.

⚠️ WARNUNG: Wechseln Sie die Schleifscheibe IMMER aus, falls das Werkzeug während der Schleifarbeit fallen gelassen wurde.

⚠️ WARNUNG: Eine Schleif- oder Trennscheibe darf NIEMALS gegen das Werkstück geschlagen oder gestoßen werden.

⚠️ WARNUNG: Achten Sie besonders beim Bearbeiten von Ecken, scharfen Kanten usw. darauf, dass die Schleifscheibe nicht springt oder hängen bleibt. Dies kann den Verlust der Kontrolle und Rückschläge verursachen.

⚠️ WARNUNG: Verwenden Sie das Werkzeug NIEMALS mit Holz- und anderen Sägeblättern. Solche Sägeblätter verursachen bei Verwendung an einer Schleifmaschine häufiges Rückschlagen und Verlust der Kontrolle, was zu Verletzungen führen kann.

⚠️ VORSICHT: Schalten Sie das Werkzeug niemals ein, wenn es mit dem Werkstück in Berührung ist, weil sonst Verletzungsgefahr für die Bedienungsperson besteht.

⚠️ VORSICHT: Tragen Sie bei der Arbeit stets eine Schutzbrille oder einen Gesichtsschutz.

⚠️ VORSICHT: Schalten Sie das Werkzeug nach der Arbeit stets aus, und warten Sie, bis die Schleifscheibe zum völligen Stillstand gekommen ist, bevor Sie das Werkzeug ablegen.

⚠️ VORSICHT: Halten Sie das Werkzeug IMMER mit einer Hand am Gehäuse und mit der anderen am Seitengriff (Handgriff) fest.

Schleif- und Schmirgelbetrieb

► Abb.9

Schalten Sie das Werkzeug ein, und setzen Sie dann die Trenn- oder Schleifscheibe an das Werkstück an. Halten Sie die Trenn- oder Schleifscheibe im Allgemeinen in einem Winkel von etwa 15° zur Werkstückoberfläche.

Bewegen Sie die Schleifmaschine beim Einschleifen einer neuen Schleifscheibe nicht in Vorwärtsrichtung, weil die Schleifscheibe sonst in das Werkstück einschneiden kann. Sobald die Schleifscheibenkante durch Gebrauch abgerundet ist, kann die Schleifscheibe sowohl in Vorwärts- als auch in Rückwärtsrichtung bewegt werden.

Betrieb mit Trennschleifscheibe / Diamantscheibe

Sonderzubehör

⚠️ WARNUNG: Benutzen Sie beim Arbeiten mit einer Trennschleifscheibe/Diamantscheibe nur die spezielle Schutzhaube, die für den Einsatz mit Trennscheiben ausgelegt ist.

(In manchen europäischen Ländern kann bei Verwendung einer Diamantscheibe die gewöhnliche Schutzhaube benutzt werden. Befolgen Sie die Vorschriften in Ihrem Land.)

⚠️ WARNUNG: Benutzen Sie Trennscheiben NIEMALS für Seitenschleifen.

⚠️ WARNUNG: Vermeiden Sie „Verkanten“ der Trennscheibe oder die Ausübung übermäßigen Drucks. Versuchen Sie nicht, übermäßig tiefe Schnitte zu machen. Überbeanspruchung der Trennscheibe erhöht die Belastung und die Empfänglichkeit für Verdrehen oder Klemmen der Trennscheibe im Schnitt sowie die Möglichkeit von Rückschlag, Scheibenbruch und Überhitzung des Motors.

⚠️ WARNUNG: Starten Sie den Schnittbetrieb nicht mit im Werkstück sitzender Trennscheibe. Warten Sie, bis die Trennscheibe ihre volle Drehzahl erreicht hat, bevor Sie sie vorsichtig in den Schnitt senken und das Werkzeug über die Werkstückoberfläche vorschieben. Wird das Elektrowerkzeug mit im Werkstück sitzender Trennscheibe eingeschaltet, kann die Trennscheibe klemmen, hochsteigen oder zurückschlagen.

⚠️ WARNUNG: Ändern Sie während der Schneidarbeiten niemals den Winkel der Trennscheibe. Die Ausübung von Seitendruck auf die Trennscheibe (wie beim Schleifen) verursacht Reißen und Brechen der Trennscheibe, was schwere Personenschäden zur Folge haben kann.

⚠️ WARNUNG: Eine Diamantscheibe muss senkrecht zum Werkstückmaterial angesetzt werden.

- Abb.10: 1. Sicherungsmutter
2. Trennschleifscheibe / Diamantscheibe
3. Innenflansch 4. Schutzhaube für Trennschleifscheibe / Diamantscheibe

Befolgen Sie zur Montage die Anweisungen für gekrüpfte Trennschleifscheibe.

Die Montagerichtung der Sicherungsmutter und des Innenflansches hängt vom Scheibentyp und der Scheibendicke ab.

Siehe die nachstehenden Abbildungen.

Bei Montage einer Trennschleifscheibe:

- Abb.11: 1. Sicherungsmutter 2. Trennschleifscheibe (dünner als 4 mm) 3. Trennschleifscheibe (4 mm oder dicker) 4. Innenflansch

Bei Montage einer Diamantscheibe:

- Abb.12: 1. Sicherungsmutter 2. Diamantscheibe (dünner als 4 mm) 3. Diamantscheibe (4 mm oder dicker) 4. Innenflansch

Betrieb mit Topfdrabtbürste

Sonderzubehör

⚠️ VORSICHT: Überprüfen Sie den Betrieb der Bürste, indem Sie das Werkzeug bei Nulllast laufen lassen und sicherstellen, dass sich niemand vor der Bürste oder in ihrer Linie befindet.

⚠️ VORSICHT: Verwenden Sie keine beschädigte oder unausgewuchtete Bürste. Bei Verwendung einer beschädigten Bürste ist das Verletzungspotenzial durch Kontakt mit gebrochenen Bürstendrähten größer.

- Abb.13: 1. Topfdrabtbürste

Trennen Sie das Werkzeug vom Stromnetz, und legen Sie es umgedreht hin, um leichten Zugang zur Spindel zu ermöglichen.

Entfernen Sie sämtliches Zubehör von der Spindel. Schrauben Sie die Topfdrabtbürste auf die Spindel, und ziehen Sie sie mit dem mitgelieferten Schraubenschlüssel fest.

ANMERKUNG: Vermeiden Sie übermäßige Druckausübung, die Verbiegung der Drähte bei Benutzung der Bürste verursacht. Dies kann zu vorzeitigem Brechen führen.

Betrieb mit Rotordrabtbürste

Sonderzubehör

⚠️ VORSICHT: Überprüfen Sie den Betrieb der Rotordrabtbürste, indem Sie das Werkzeug bei Nulllast laufen lassen und sicherstellen, dass sich niemand vor der Rotordrabtbürste oder in ihrer Linie befindet.

⚠️ VORSICHT: Verwenden Sie keine beschädigte oder unausgewuchtete Rotordrabtbürste. Bei Verwendung einer beschädigten Rotordrabtbürste ist das Verletzungspotenzial durch Kontakt mit gebrochenen Bürstendrähten größer.

⚠️ VORSICHT: Verwenden Sie Rotordrabtbürsten IMMER mit einer Schutzhaube, die groß genug für den Rotordurchmesser ist. Die Schutzhaube reduziert die Gefahr von Personenschäden, falls die Rotordrabtbürste während des Betriebs zerbricht.

- Abb.14: 1. Rotordrabtbürste

Trennen Sie das Werkzeug vom Stromnetz, und legen Sie es umgedreht hin, um leichten Zugang zur Spindel zu ermöglichen.

Entfernen Sie sämtliches Zubehör von der Spindel. Die Rotordrahtbürste auf die Spindel schrauben und mit den Schraubenschlüsseln festziehen.

ANMERKUNG: Vermeiden Sie übermäßige Druckausübung, die Verbiegung der Drähte bei Benutzung der Rotordrahtbürste verursacht. Dies kann zu vorzeitigem Brechen führen.

ANMERKUNG: Verwenden Sie auf keinen Fall Benzin, Waschbenzin, Verdünnern, Alkohol oder dergleichen. Solche Mittel können Verfärbung, Verformung oder Rissbildung verursachen.

Reinigung der Ventilationsöffnungen

Halten Sie das Werkzeug und seine Ventilationsöffnungen stets sauber. Reinigen Sie die Ventilationsöffnungen des Werkzeugs regelmäßig oder im Anfangsstadium einer Verstopfung.

► **Abb.15:** 1. Auslassöffnung 2. Einlassöffnung

Um die SICHERHEIT und ZUVERLÄSSIGKEIT dieses Produkts zu gewährleisten, sollten Reparaturen und andere Wartungs- oder Einstellarbeiten nur von Makita-Vertragswerkstätten oder Makita-Kundendienstzentren unter ausschließlicher Verwendung von Makita-Originalersatzteilen ausgeführt werden.

WARTUNG

⚠ VORSICHT: Vergewissern Sie sich vor der Durchführung von Überprüfungen oder Wartungsarbeiten des Werkzeugs stets, dass es ausgeschaltet und vom Stromnetz getrennt ist.

SONDERZUBEHÖR

⚠ VORSICHT: Die folgenden Zubehörteile oder Vorrichtungen werden für den Einsatz mit dem in dieser Anleitung beschriebenen Makita-Werkzeug empfohlen. Die Verwendung anderer Zubehörteile oder Vorrichtungen kann eine Verletzungsgefahr darstellen. Verwenden Sie Zubehörteile oder Vorrichtungen nur für ihren vorgesehenen Zweck.

Wenn Sie weitere Einzelheiten bezüglich dieser Zubehörteile benötigen, wenden Sie sich bitte an Ihre Makita-Kundendienststelle.

► **Abb.16**

-	115-mm-Modell	125-mm-Modell
1	Griff 36	
2	Schutzhaube (für Schleifscheibe)	
3	Innenflansch / Superflansch	
4	Gekrüpfte Trennschleifscheibe / Fächerscheibe	
5	Sicherungsmutter	
6	Stützteller	
7	Flexscheibe	
8	Gummiteller 100	Gummiteller 115
9	Schleifblatt	
10	Schleifscheiben-Sicherungsmutter	
11	Rotordrahtbürste	
12	Topfdrabhtbürste	
13	Schutzhaube (für Trennscheibe) *1	
14	Trennschleifscheibe / Diamantscheibe	
-	Sicherungsmutterschlüssel	

HINWEIS: *1 In manchen europäischen Ländern kann bei Verwendung einer Diamantscheibe die gewöhnliche Schutzhaube anstelle der Spezialschutzhaube verwendet werden, die beide Seiten der Schleifscheibe abdeckt. Befolgen Sie die Vorschriften in Ihrem Land.

HINWEIS: Manche Teile in der Liste können als Standardzubehör im Werkzeugsatz enthalten sein. Sie können von Land zu Land unterschiedlich sein.

DATI TECNICI

Modello:	9557HNR	9558HNR
Diametro disco	115 mm	125 mm
Spessore massimo disco	7,2 mm	
Filettatura mandrino	M14 o 5/8" (a seconda della nazione)	
Velocità nominale (n)	11.000 min ⁻¹	
Lunghezza totale	271 mm	
Peso netto	2,0 kg	2,1 kg
Classe di sicurezza	□/II	

- In conseguenza del nostro programma di ricerca e sviluppo continui, i dati tecnici nel presente manuale sono soggetti a modifiche senza preavviso.
- I dati tecnici possono variare da nazione a nazione.
- Peso in conformità alla procedura EPTA 01/2003

Utilizzo previsto

Questo utensile è progettato per la smerigliatura, la carteggiatura e il taglio di materiali metallici e in pietra, senza l'utilizzo di acqua.

Alimentazione

L'utensile deve essere collegato a una fonte di alimentazione con la stessa tensione indicata sulla targhetta del nome, e può funzionare solo a corrente alternata monofase. L'utensile è dotato di doppio isolamento, per cui può essere utilizzato con prese elettriche sprovviste di messa a terra.

Rumore

Livello tipico di rumore pesato A determinato in base allo standard EN60745:

Livello di pressione sonora (L_{pA}): 86 dB (A)

Livello di potenza sonora (L_{WA}): 97 dB (A)

Incertezza (K): 3 dB (A)

AVVERTIMENTO: Indossare protezioni per le orecchie.

Vibrazioni

Valore totale delle vibrazioni (somma vettoriale triassiale) determinato in base allo standard EN60745:

Modello 9557HNR

Modalità di lavoro: smerigliatura di superfici

Emissione di vibrazioni ($a_{h, AG}$): 7,5 m/s²

Incertezza (K): 1,5 m/s²

Modalità di lavoro: carteggiatura con disco

Emissione di vibrazioni ($a_{h, DS}$): 2,5 m/s² o inferiore

Incertezza (K): 1,5 m/s²

Modello 9558HNR

Modalità di lavoro: smerigliatura di superfici

Emissione di vibrazioni ($a_{h, AG}$): 8,5 m/s²

Incertezza (K): 1,5 m/s²

Modalità di lavoro: carteggiatura con disco

Emissione di vibrazioni ($a_{h, DS}$): 2,5 m/s² o inferiore

Incertezza (K): 1,5 m/s²

NOTA: Il valore di emissione delle vibrazioni dichiarato è stato misurato in conformità al metodo standard di verifica, e può essere utilizzato per confrontare un utensile con un altro.

NOTA: Il valore di emissione delle vibrazioni dichiarato può venire utilizzato anche per una valutazione preliminare dell'esposizione.

AVVERTIMENTO: L'emissione delle vibrazioni durante l'utilizzo effettivo dell'utensile elettrico può variare rispetto al valore di emissione dichiarato, a seconda dei modi in cui viene utilizzato l'utensile.

AVVERTIMENTO: Accertarsi di identificare le misure di sicurezza per la protezione dell'operatore basate sulla stima dell'esposizione nelle condizioni effettive di utilizzo (tenendo presente tutte le parti del ciclo operativo, ad esempio le volte in cui l'utensile viene spento e quando gira a vuoto, oltre al tempo di attivazione).

AVVERTIMENTO: Il valore di emissione delle vibrazioni dichiarato viene utilizzato per le applicazioni principali dell'utensile elettrico. Tuttavia, qualora l'utensile elettrico venga utilizzato per altre applicazioni, il valore di emissione delle vibrazioni potrebbe essere diverso.

Dichiarazione CE di conformità

Modello solo per le nazioni europee

Makita dichiara che la/le macchina/e seguente/i:

Designazione della macchina: Smerigliatrice angolare

N. modello/Tipo: 9557HNR, 9558HNR

È conforme alle seguenti Direttive Europee:

2006/42/CE

È stata fabbricata in conformità allo standard e ai documenti standardizzati seguenti: EN60745

Il file tecnico in conformità alla normativa 2006/42/CE è disponibile presso:

Makita, Jan-Baptist Vinkstraat 2, 3070, Belgio

4.6.2015

Yasushi Fukaya

Yasushi Fukaya
Amministratore
Makita, Jan-Baptist Vinkstraat 2, 3070, Belgio

Avvertenze generali relative alla sicurezza dell' utensile elettrico

⚠AVVERTIMENTO: Leggere tutte le avvertenze relative alla sicurezza e tutte le istruzioni. La mancata osservanza delle avvertenze e delle istruzioni può risultare in scosse elettriche, incendi e/o gravi lesioni personali.

Conservare tutte le avvertenze e le istruzioni come riferimento futuro.

Il termine "utensile elettrico" nelle avvertenze si riferisce sia all'utensile elettrico (cablato) nel funzionamento alimentato da rete elettrica che all'utensile elettrico (a batteria) nel funzionamento alimentato a batteria.

Avvertenze di sicurezza per la smerigliatrice

Avvertenze di sicurezza comuni relative alle operazioni di smerigliatura, carteggiatura, spazzolatura metallica o taglio abrasivo:

1. **Questo utensile elettrico è progettato per la smerigliatura, la carteggiatura, la spazzolatura metallica o il taglio. Leggere tutte le avvertenze di sicurezza, le istruzioni, le illustrazioni e i dati tecnici forniti con questo utensile elettrico.** La mancata osservanza di tutte le istruzioni seguenti potrebbe risultare in scosse elettriche, incendi e/o gravi lesioni personali.
2. **L'esecuzione di operazioni quali la lucidatura con questo utensile elettrico non è consigliata.** Le operazioni per le quali questo utensile elettrico non è stato progettato potrebbero costituire un pericolo e causare lesioni personali.
3. **Non utilizzare accessori che non siano stati designati e consigliati appositamente dal produttore dell'utensile.** La semplice possibilità di montare un accessorio sull'utensile elettrico utilizzato non ne garantisce un funzionamento sicuro.
4. **La velocità nominale dell'accessorio deve essere almeno pari alla velocità massima indicata sull'utensile elettrico.** Gli accessori che girano più velocemente della loro velocità nominale possono spaccarsi, e i frammenti possono venire scagliati via.
5. **Il diametro esterno e lo spessore dell'accessorio utilizzato devono rientrare nella capacità nominale dell'utensile elettrico utilizzato.** Non è possibile proteggere o controllare in modo appropriato accessori di dimensioni errate.
6. **L'attacco filettato degli accessori deve coincidere con la filettatura del mandrino della smerigliatrice. Per gli accessori montati mediante flange, il foro per l'albero dell'accessorio deve**

essere adatto al diametro di posizionamento della flangia. Gli accessori che non coincidono con le misure degli attacchi di montaggio dell'utensile elettrico funzionano in modo sbilanciato, vibrano eccessivamente e potrebbero causare la perdita di controllo.

7. **Non utilizzare accessori danneggiati. Prima di ciascun utilizzo, ispezionare l'accessorio e verificare l'eventuale presenza di: scheggiature o spaccature sulle mole abrasive; spaccature, lacerazioni o usura eccessiva sui piattorelli di sostegno; fili metallici allentati o spaccati sulle spazzole metalliche. Qualora l'utensile elettrico o l'accessorio vengano fatti cadere, verificare l'eventuale presenza di danni o installare un accessorio non danneggiato. Dopo aver ispezionato e installato un accessorio, posizionare se stessi e gli astanti lontano dal piano di rotazione dell'accessorio, quindi far funzionare l'utensile elettrico alla massima velocità a vuoto per un minuto.** Gli accessori danneggiati in genere si rompono, durante questo periodo di prova.
8. **Indossare un'attrezzatura di protezione personale. A seconda dell'applicazione, utilizzare una visiera, occhiali oppure occhiali di sicurezza. A seconda delle esigenze, indossare una mascherina antipolvere, protezioni per l'udito, guanti e un grembiule da officina in grado di arrestare piccoli frammenti abrasivi o dei pezzi in lavorazione.** La protezione per gli occhi deve essere in grado di arrestare detriti volanti generati da svariate operazioni. La mascherina antipolvere o il respiratore devono essere in grado di filtrare le particelle generate dall'operazione in corso. L'esposizione prolungata al rumore ad alta intensità potrebbe causare la perdita dell'udito.
9. **Tenere gli astanti a distanza di sicurezza dall'area di lavoro. Chiunque entri nell'area di lavoro deve indossare l'attrezzatura di protezione personale.** I frammenti del pezzo in lavorazione o di un accessorio rotto potrebbero venire scagliati via e causare lesioni personali a una distanza superiore alle immediate vicinanze dell'operazione in corso.
10. **Mantenere l'utensile elettrico solo per le superfici di impugnatura isolate quando si esegue un'operazione in cui l'accessorio di taglio potrebbe entrare in contatto con fili elettrici nascosti o con il proprio cavo di alimentazione.** Un accessorio di taglio che entri in contatto con un filo elettrico sotto tensione potrebbe mettere sotto tensione le parti metalliche esposte dell'utensile elettrico e dare una scossa elettrica all'operatore.
11. **Posizionare il cavo di alimentazione a distanza dall'accessorio in rotazione.** Qualora si perda il controllo dell'utensile, il cavo di alimentazione potrebbe venire tagliato o restare impigliato, e la mano o il braccio dell'operatore potrebbero venire tirati nell'accessorio in rotazione.
12. **Non appoggiare mai l'utensile elettrico fino all'arresto completo dell'accessorio.** L'accessorio in rotazione potrebbe far presa sulla superficie di appoggio e tirare l'utensile elettrico facendone perdere il controllo all'operatore.

13. **Non far funzionare l'utensile elettrico mentre lo si trasporta sul proprio fianco.** Un contatto accidentale con l'accessorio in rotazione potrebbe fare impigliare gli indumenti, attirando l'accessorio contro il corpo dell'operatore.
14. **Pulire regolarmente le aperture di ventilazione dell'utensile elettrico.** La ventola del motore attira le polveri all'interno dell'alloggiamento, e l'accumulazione eccessiva di polvere metallica potrebbe causare pericoli di natura elettrica.
15. **Non far funzionare l'utensile elettrico in prossimità di materiali infiammabili.** Le scintille potrebbero dare fuoco a tali materiali.
16. **Non utilizzare accessori che richiedano refrigeranti liquidi.** L'impiego di acqua o di altri refrigeranti liquidi potrebbe causare la folgorazione o scosse elettriche.

Contraccollo e relative avvertenze

Il contraccollo è una reazione improvvisa a un disco in rotazione, un platorello di sostegno, una spazzola o qualsiasi altro accessorio che resti incastrato o impigliato. Un accessorio in rotazione che resti incastrato o impigliato subisce un rapido stallo che, che a sua volta, spinge l'utensile elettrico fuori controllo nella direzione opposta alla rotazione dell'accessorio nel punto di inceppamento.

Ad esempio, qualora una mola abrasiva resti incastrata o impigliata nel pezzo in lavorazione, il filo del disco che entra nel punto di inceppamento potrebbe scavare nella superficie del materiale, causando la fuoriuscita o il contraccollo del disco verso l'esterno. Il disco potrebbe saltare verso l'operatore o lontano da quest'ultimo, a seconda della direzione del movimento del disco nel punto in cui si è incastrato. In queste condizioni, le mole abrasive potrebbero anche rompersi.

Il contraccollo è il risultato dell'uso improprio dell'utensile elettrico e/o di procedure o condizioni operative errate, e può essere evitato adottando le precauzioni appropriate indicate di seguito.

1. **Mantenere una salda presa sull'utensile elettrico e posizionare il corpo e il braccio in modo da poter resistere alle forze dei contraccolpi.** Per il massimo controllo dei contraccolpi o di reazioni di coppia durante l'avvio, utilizzare sempre il manico ausiliario, se in dotazione. L'operatore può controllare le reazioni di coppia o le forze dei contraccolpi, se adotta le precauzioni appropriate.
2. **Non posizionare mai le mani in prossimità dell'accessorio in rotazione.** L'accessorio potrebbe saltare all'indietro sulla mano per un contraccollo.
3. **Non posizionare il corpo nell'area in cui l'utensile elettrico si sposterebbe qualora si verificasse un contraccollo.** Il contraccollo lancia l'utensile nella direzione opposta al movimento del disco sul punto in cui si è impigliato.
4. **Fare particolarmente attenzione quando si intende lavorare su angoli, bordi acuti, e così via.** Evitare che l'accessorio rimbalzi o resti impigliato. Gli angoli, i bordi acuti o i rimbalzi tendono a far impigliare l'accessorio in rotazione e a causare la perdita di controllo o il contraccollo.
5. **Non montare catene per seghe, lame da intaglio per legno o lame dentate.** Queste lame causano frequenti contraccolpi e perdite di controllo.

Non montare catene per seghe, lame da intaglio per legno o lame dentate.

1. **Utilizzare solo i tipi di dischi consigliati per l'utensile elettrico utilizzato e la protezione specifica progettata per il disco selezionato.** I dischi che non siano stati progettati per questo utensile elettrico non possono essere adeguatamente protetti e non sono sicuri.
2. **La superficie di smerigliatura dei dischi a centro depresso deve essere montata sotto il piano del lembo della protezione.** Un disco montato in modo errato che sporga oltre il piano del lembo della protezione non può essere protetto adeguatamente.
3. **La protezione deve essere montata saldamente sull'utensile elettrico e posizionata per la massima sicurezza, in modo che una parte minima del disco sia esposta verso l'operatore.** La protezione aiuta a proteggere l'operatore da frammenti di dischi rotti, dal contatto accidentale con il disco e dalle scintille che potrebbero incendiare gli indumenti.
4. **I dischi devono essere utilizzati esclusivamente per le applicazioni consigliate. Ad esempio: non smerigliare con il lato della mola troncatrice.** Le mole troncatrici abrasive sono progettate per la smerigliatura periferica, e le forze laterali applicate a queste mole potrebbero causarne la frantumazione.
5. **Utilizzare sempre flange dei dischi non danneggiate, di dimensione e forma corrette per il disco selezionato.** Flange dei dischi corrette supportano i dischi, riducendo pertanto la possibilità di rottura dei dischi. Le flange per mole troncatrici potrebbero essere diverse dalle flange per mole abrasive.
6. **Non utilizzare dischi usurati provenienti da utensili elettrici più grandi.** I dischi progettati per gli utensili elettrici più grandi non sono adatti alla velocità più elevata di un utensile più piccolo, e potrebbero scoppiare.

Avvertenze di sicurezza supplementari specifiche per le operazioni di taglio abrasivo:

1. **Non spingere forzatamente la mola troncatrice né applicare una pressione eccessiva. Non tentare di realizzare tagli eccessivamente profondi.** La sollecitazione eccessiva del disco incrementa il carico e la suscettibilità alla torsione o all'inceppamento del disco nel taglio, nonché la possibilità di contraccolpi o di rottura del disco.
2. **Non posizionare il corpo in linea e dietro il disco in rotazione.** Quando il disco, sul punto di lavorazione, si allontana dal corpo dell'operatore, un possibile contraccollo potrebbe scagliare il disco in rotazione e l'utensile elettrico direttamente verso l'operatore.
3. **Quando il disco si sta inceppando o quando si intende interrompere il taglio per un qualsiasi motivo, spegnere l'utensile elettrico e mantenerlo immobile fino all'arresto completo del disco.** Non tentare mai di rimuovere la mola troncatrice mentre è in movimento; in caso contrario, si potrebbe verificare un contraccollo. Investigare e adottare misure correttive per eliminare la causa dell'inceppamento del disco.

4. **Non riavviare l'operazione di taglio all'interno del pezzo in lavorazione. Lasciare che il disco raggiunga la piena velocità e rientrare con attenzione nel taglio.** Qualora si riavvii l'utensile elettrico all'interno del pezzo in lavorazione, il disco potrebbe incepparsi, rialzarsi o dare un contraccolpo.
5. **Supportare i pannelli o qualsiasi pezzo in lavorazione di grandi dimensioni, per ridurre al minimo il rischio che il disco resti incastrato o causi contraccolpi.** I pezzi in lavorazione di grandi dimensioni tendono a curvare sotto il proprio peso. I supporti devono essere piazzati sotto il pezzo in lavorazione, vicini alla linea di taglio e in prossimità del bordo del pezzo in lavorazione, da entrambi i lati del disco.
6. **Fare particolarmente attenzione quando si intende eseguire un "taglio di cavità" su pareti esistenti o altre aree cieche.** Il disco che sporge potrebbe tagliare tubi del gas o dell'acqua, cavi elettrici oppure oggetti che potrebbero causare contraccolpi.

Avvertenze di sicurezza specifiche per le operazioni di carteggiatura:

1. **Non utilizzare dischi di carta abrasiva di dimensioni superiori a quelle normali. Seguire i consigli dei produttori nella scelta della carta abrasiva.** La carta abrasiva di dimensioni maggiori che si estende oltre il platorello di carteggiatura presenta un rischio di lacerazione, e potrebbe far impigliare o strappare il disco o causare contraccolpi.

Avvertenze di sicurezza specifiche per le operazioni di spazzolatura metallica:

1. **Tenere presente che le setole in filo metallico vengono scagliate via dalla spazzola anche durante il normale funzionamento. Non sollecare eccessivamente le setole in filo metallico esercitando un carico eccessivo sulla spazzola.** Le setole in filo metallico possono penetrare facilmente gli abiti leggeri e/o la pelle.
2. **Qualora sia consigliato l'uso di una protezione per la spazzolatura metallica, evitare qualsiasi interferenza della spazzola metallica a disco o della spazzola metallica con la protezione.** Il diametro della spazzola metallica a disco o della spazzola metallica potrebbe espandersi a causa del carico di lavoro e delle forze centrifughe.

Avvertenze aggiuntive per la sicurezza:

1. **Quando si intende utilizzare mole a centro depresso, scegliere esclusivamente mole rinforzate in fibra di vetro.**
2. **NON UTILIZZARE MAI mole a tazza in pietra con questa smerigliatrice.** Questa smerigliatrice non è progettata per questi tipi di mole, e l'utilizzo di tali prodotti potrebbe risultare in gravi lesioni personali.
3. **Fare attenzione a non danneggiare il mandrino, la flangia (soprattutto la superficie di installazione) o il controdado.** Il danneggiamento di queste parti potrebbe risultare nella rottura del disco.
4. **Accertarsi che il disco non sia in contatto con il pezzo in lavorazione prima dell'attivazione dell'interruttore.**

5. **Prima di utilizzare l'utensile sul pezzo in lavorazione effettivo, lasciarlo girare per qualche momento. Osservare se siano presenti vibrazioni od ondeggiamenti, che potrebbero denotare un'installazione errata del disco o un disco bilanciato male.**
6. **Utilizzare la superficie specificata del disco per eseguire la molatura.**
7. **Non lasciare l'utensile in funzione. Far funzionare l'utensile solo mentre lo si impugna.**
8. **Non toccare il pezzo in lavorazione subito dopo averlo lavorato con l'utensile; la temperatura del pezzo potrebbe essere estremamente elevata e causare ustioni.**
9. **Osservare le istruzioni del produttore per il corretto montaggio e utilizzo dei dischi. Maneggiare e conservare i dischi con cura.**
10. **Non utilizzare boccole di riduzione o adattatori separati per adattare mole abrasive con foro largo.**
11. **Utilizzare esclusivamente le flange specificate per questo utensile.**
12. **Per gli utensili su cui vanno montati dischi con foro filettato, accertarsi che la filettatura del disco sia sufficientemente lunga da accettare la lunghezza del mandrino.**
13. **Accertarsi che il pezzo in lavorazione sia supportato correttamente.**
14. **Tenere presente che il disco continua a girare dopo lo spegnimento dell'utensile.**
15. **Qualora l'ambiente di lavoro sia estremamente caldo o umido, oppure notevolmente contaminato da polvere conduttiva, utilizzare un salvavita (da 30 mA) per garantire la sicurezza dell'operatore.**
16. **Non utilizzare l'utensile su materiali contenenti amianto.**
17. **Quando si utilizzano una mola troncatrice, lavorare sempre con la protezione disco per la raccolta delle polveri richiesta dalle normative locali.**
18. **I dischi da taglio non devono essere soggetti ad alcuna pressione laterale.**
19. **Non utilizzare guanti da lavoro in tessuto durante l'uso dell'utensile.** Le fibre provenienti da guanti in tessuto potrebbero penetrare nell'utensile, causandone la rottura.

CONSERVARE LE PRESENTI ISTRUZIONI.

⚠AVVERTIMENTO: NON lasciare che comodità o la familiarità d'utilizzo con il prodotto (acquisita con l'uso ripetuto) sostituisca la stretta osservanza delle norme di sicurezza per il prodotto in questione. L'USO IMPROPRIO o la mancata osservanza delle norme di sicurezza indicate nel presente manuale di istruzioni potrebbero causare gravi lesioni personali.

DESCRIZIONE DELLE FUNZIONI

⚠ATTENZIONE: Accertarsi sempre che l'utensile sia spento e scollegato dall'alimentazione prima di regolare o controllare le sue funzioni.

Blocco albero

Premere il blocco albero per impedire la rotazione del mandrino quando si intende installare o rimuovere gli accessori.

► Fig.1: 1. Blocco albero

AVVISO: Non utilizzare mai il blocco albero mentre il mandrino è in movimento. In caso contrario, si potrebbe danneggiare l'utensile.

Utilizzo dell'interruttore

⚠ATTENZIONE: Prima di collegare l'utensile alla presa elettrica, accertarsi sempre che l'interruttore scorrevole funzioni correttamente e che torni sulla posizione "OFF" quando si preme la parte posteriore dell'interruttore scorrevole.

⚠ATTENZIONE: L'interruttore può essere bloccato sulla posizione "ON" per la comodità dell'operatore durante l'uso prolungato. Fare attenzione quando si blocca l'utensile sulla posizione "ON", e mantenere una salda presa sull'utensile.

Per avviare l'utensile, far scivolare l'interruttore scorrevole verso la posizione "I (ON)" spingendo la sua parte posteriore. Per il funzionamento continuo, premere la parte anteriore dell'interruttore scorrevole per bloccarlo. Per arrestare l'utensile, premere la parte posteriore dell'interruttore scorrevole verso la posizione "O (OFF)".

► Fig.2: 1. Interruttore scorrevole

Sicura contro l'avvio involontario

L'utensile non si avvia con l'interruttore bloccato nella posizione di accesso, anche quando viene collegato alla presa elettrica.

Per disattivare la sicura contro l'avvio involontario, riportare l'interruttore di accensione sulla posizione di spegnimento.

NOTA: Attendere più di un secondo prima di riavviare l'utensile, quando la sicura contro l'avvio involontario è entrata in funzione.

NOTA: Quando l'utensile è sovraccarico e la temperatura dell'utensile raggiunge un determinato livello, l'utensile potrebbe arrestarsi automaticamente. In questa eventualità, lasciar raffreddare l'utensile prima di accenderlo di nuovo.

Funzione di avvio morbido

La funzione di avvio morbido riduce la reazione di avvio.

MONTAGGIO

⚠ATTENZIONE: Accertarsi sempre che l'utensile sia spento e scollegato dall'alimentazione elettrica, prima di effettuare qualsiasi intervento su di esso.

Installazione dell'impugnatura laterale (manico)

⚠ATTENZIONE: Accertarsi sempre che l'impugnatura laterale sia installata saldamente prima dell'uso.

Avvitare saldamente l'impugnatura laterale sulla posizione dell'utensile mostrata nella figura.

► Fig.3

Installazione o rimozione della protezione disco (per dischi a centro depresso, dischi lamellari, dischi flessibili, spazzole metalliche a disco / mole troncatrici abrasive, dischi diamantati)

⚠AVVERTIMENTO: Quando si utilizza un disco a centro depresso, un disco lamellare, un disco flessibile o una spazzola metallica a disco, è necessario montare la protezione disco sull'utensile, in modo che il lato chiuso della protezione sia sempre rivolto verso l'operatore.

⚠AVVERTIMENTO: Quando si intende utilizzare una mola troncatrice o un disco disco diamantato, accertarsi di utilizzare esclusivamente la protezione disco speciale progettata per l'impiego con le mole troncatrici.

(in alcune nazioni europee è possibile utilizzare la protezione ordinaria quando si utilizza un disco diamantato. Attenersi alle normative della propria nazione).

Montare la protezione disco con le sporgenze sulla fascia della protezione disco allineate alle tacche dell'alloggiamento del cuscinetto. Quindi, ruotare la protezione disco a un'angolazione tale da poter proteggere l'operatore a seconda del lavoro. Accertarsi di serrare saldamente la vite.

Per rimuovere la protezione disco, seguire la procedura di installazione al contrario.

► Fig.4: 1. Protezione disco 2. Alloggiamento del cuscinetto 3. Vite

Installazione o rimozione di un disco a centro depresso o di un disco lamellare

Accessorio opzionale

⚠AVVERTIMENTO: Quando si intende utilizzare un disco a centro depresso o un disco lamellare, la protezione disco deve essere montata sull'utensile in modo che il lato chiuso della protezione sia sempre rivolto verso l'operatore.

⚠ATTENZIONE: Accertarsi che la parte di montaggio della flangia interna entri perfettamente nel diametro interno del disco a centro depresso o del disco lamellare. Il montaggio della flangia interna sul lato errato potrebbe risultare in vibrazioni pericolose.

Montare la flangia interna sul mandrino.

Accertarsi di inserire la parte dentellata della flangia interna sulla parte diritta sul fondo del mandrino.

Installare il disco a centro depresso o il disco lamellare sulla flangia interna e avvitare il controdatto sul mandrino.

► Fig.5: 1. Controdatto 2. Disco a centro depresso 3. Flangia interna 4. Parte di montaggio

Per serrare il controdatto, premere con decisione il blocco albero in modo che il mandrino non possa girare, quindi utilizzare la chiave per controdatto e serrare il controdatto saldamente in senso orario.

► Fig.6: 1. Chiave per controdatto 2. Blocco albero

Per rimuovere il disco, seguire la procedura di installazione al contrario.

Super flangia

Accessorio opzionale

Solo per utensili con filettatura del mandrino M14.

I modelli con la lettera F sono dotati di serie della Super flangia. In confronto al tipo convenzionale, per sbloccare il controdatto è necessario solo 1/3 della forza.

Installazione o rimozione del disco flessibile

Accessorio opzionale

⚠AVVERTIMENTO: Utilizzare sempre la protezione in dotazione quando il disco flessibile è montato sull'utensile. Il disco potrebbe frantumarsi durante l'uso, e la protezione contribuisce a ridurre il rischio di lesioni personali.

► Fig.7: 1. Controdatto 2. Disco flessibile 3. Platorello di sostegno 4. Flangia interna

Seguire le istruzioni per il disco a centro depresso, ma usare anche il platorello di sostegno sopra il disco. Vedere l'ordine di montaggio nella pagina degli accessori del presente manuale.

Installazione o rimozione del disco abrasivo

Accessorio opzionale

► Fig.8: 1. Controdatto di carteggiatura 2. Disco abrasivo 3. Platorello di gomma

1. Montare il platorello di gomma sul mandrino.
2. Montare il disco sul platorello di gomma, quindi avvitare il controdatto di carteggiatura sul mandrino.
3. Tenere fermo il mandrino con il blocco albero, quindi serrare saldamente il controdatto di carteggiatura in senso orario con la chiave per controdatto.

Per rimuovere il disco, seguire la procedura di installazione al contrario.

NOTA: Utilizzare gli accessori di carteggiatura specificati nel presente manuale. Questi ultimi devono essere acquistati separatamente.

FUNZIONAMENTO

⚠AVVERTIMENTO: Non deve essere mai necessario forzare l'utensile. Il peso dell'utensile esercita una pressione adeguata. Qualora si forzi l'utensile e si eserciti una pressione eccessiva, si potrebbe causare una pericolosa rottura del disco.

⚠AVVERTIMENTO: Sostituire SEMPRE il disco se l'utensile è caduto durante la molatura.

⚠AVVERTIMENTO: Non sbattere MAI il disco o la mola contro il materiale che si lavora né fargli subire colpi.

⚠AVVERTIMENTO: Evitare che il disco rimbalzi o resti impigliato, specialmente quando si lavorano angoli, bordi acuti, e così via. Questo potrebbe causare la perdita di controllo e contraccolpi.

⚠AVVERTIMENTO: Non utilizzare MAI l'utensile con lame per il taglio del legno e altre lame. Tali lame, se utilizzate su una smerigliatrice, causano spesso contraccolpi e perdite di controllo, che portano a lesioni personali.

⚠ATTENZIONE: Non accendere mai l'utensile mentre è in contatto con il pezzo in lavorazione, poiché potrebbe causare una lesione personale all'operatore.

⚠ATTENZIONE: Indossare sempre occhiali di sicurezza o una visiera durante il lavoro.

⚠ATTENZIONE: Dopo l'uso, spegnere sempre l'utensile e attendere l'arresto completo del disco prima di appoggiare l'utensile.

⚠ATTENZIONE: Tenere SEMPRE saldamente l'utensile con una mano sull'alloggiamento e l'altra sull'impugnatura laterale (manico).

Operazione di smerigliatura e di carteggiatura

► Fig.9

Accendere l'utensile e applicare la mola o il disco sul pezzo in lavorazione.

In generale, mantenere il bordo della mola o del disco a un angolo di circa 15° rispetto alla superficie del pezzo in lavorazione.

Durante il periodo di rodaggio con una nuova mola, non far funzionare la smerigliatrice nella direzione in avanti; in caso contrario, potrebbe tagliare il pezzo in lavorazione. Dopo che il bordo della mola si è arrotondato con l'uso, può essere utilizzata in entrambe le direzioni in avanti e all'indietro.

Funzionamento con mola troncatrice abrasiva / disco diamantato

Accessorio opzionale

⚠AVVERTIMENTO: Quando si intende utilizzare una mola troncatrice o un disco disco diamantato, accertarsi di utilizzare esclusivamente la protezione disco speciale progettata per l'impiego con le mole troncatrici.

(in alcune nazioni europee è possibile utilizzare la protezione ordinaria quando si utilizza un disco diamantato. Attenersi alle normative della propria nazione).

⚠AVVERTIMENTO: Non utilizzare MAI una mola troncatrice per la molatura laterale.

⚠AVVERTIMENTO: Non spingere forzatamente il disco né applicare una pressione eccessiva. Non tentare di realizzare tagli eccessivamente profondi. La sollecitazione eccessiva del disco aumenta il carico e la sua suscettibilità alla torsione o all'inceppamento nel taglio, nonché la possibilità di contraccolpi, rottura del disco stesso e surriscaldamento del motore.

⚠AVVERTIMENTO: Non iniziare l'operazione di taglio all'interno del pezzo in lavorazione. Lasciare che il disco raggiunga la piena velocità ed entrare con cura nel taglio spostando l'utensile in avanti sulla superficie del pezzo in lavorazione. Il disco potrebbe incepparsi, rialzarsi o causare un contraccolpo, se l'utensile elettrico viene avviato all'interno del pezzo.

⚠AVVERTIMENTO: Durante le operazioni di taglio, non cambiare mai l'angolazione del disco. L'applicazione di una pressione laterale su una mola troncatrice (come per la molatura), causa la spaccatura e la rottura della mola, causando gravi lesioni personali.

⚠AVVERTIMENTO: Un disco diamantato va utilizzato perpendicolarmente al materiale da tagliare.

► Fig.10: 1. Controdado 2. Mola troncatrice abrasiva / disco diamantato 3. Flangia interna 4. Protezione per mola troncatrice abrasiva / disco diamantato

Come per l'installazione, attenersi alle istruzioni per il disco a centro depresso.

La direzione di montaggio del controdado e della flangia interna varia a seconda del tipo e dello spessore del disco.

Fare riferimento alle figure seguenti.

Quando si intende installare una mola troncatrice abrasiva:

► Fig.11: 1. Controdado 2. Mola troncatrice abrasiva (più sottile di 4 mm) 3. Mola troncatrice abrasiva (di spessore pari o superiore a 4 mm) 4. Flangia interna

Quando si intende installare un disco diamantato:

► Fig.12: 1. Controdado 2. Disco diamantato (più sottile di 4 mm) 3. Disco diamantato (di spessore pari o superiore a 4 mm) 4. Flangia interna

Utilizzo con spazzola metallica a tazza

Accessorio opzionale

⚠ATTENZIONE: Controllare il funzionamento della spazzola facendo girare l'utensile a vuoto, accertandosi che non sia presente alcuna persona davanti o in linea con la spazzola.

⚠ATTENZIONE: Non utilizzare una spazzola danneggiata o sbilanciata. L'uso di una spazzola danneggiata potrebbe aumentare il rischio potenziale di lesioni personali dovute al contatto con i fili metallici rotti della spazzola.

► Fig.13: 1. Spazzola metallica a tazza

Scollegare l'utensile dalla presa elettrica e posizionarlo capovolto in modo da consentire un facile accesso al mandrino.

Rimuovere eventuali accessori dal mandrino. Avvitare la spazzola metallica a tazza sul mandrino e serrarla con la chiave in dotazione.

AVVISO: Evitare di applicare una pressione eccessiva che faccia piegare troppo i fili metallici quando si utilizza la spazzola. Questo potrebbe portare a una rottura prematura della spazzola.

Utilizzo con una spazzola metallica a disco

Accessorio opzionale

⚠ATTENZIONE: Controllare il funzionamento della spazzola metallica a disco facendo girare l'utensile a vuoto, accertandosi che non sia presente alcuna persona davanti o in linea con la spazzola metallica a disco.

⚠ATTENZIONE: Non utilizzare una spazzola metallica a disco danneggiata o sbilanciata.

Qualora si utilizzi una spazzola metallica a disco danneggiata, si aumenta il rischio potenziale di lesioni personali dovute al contatto con i fili metallici rotti della spazzola.

⚠ATTENZIONE: Utilizzare SEMPRE la protezione con le spazzole metalliche a disco, accertandosi che il diametro del disco entri nella protezione. Il disco potrebbe frantumarsi durante l'uso, e la protezione contribuisce a ridurre il rischio di lesioni personali.

► Fig.14: 1. Spazzola metallica a disco

Scollegare l'utensile dalla presa elettrica e posizionarlo capovolto in modo da consentire un facile accesso al mandrino.

Rimuovere eventuali accessori dal mandrino. Avvitare la spazzola metallica a disco sul mandrino e serrarla con le chiavi.

AVVISO: Evitare di applicare una pressione eccessiva che faccia piegare troppo i fili metallici quando si utilizza la spazzola metallica a disco. Questo potrebbe portare a una rottura prematura della spazzola.

MANUTENZIONE

ATTENZIONE: Accertarsi sempre che l'utensile sia spento e scollegato dall'alimentazione elettrica, prima di tentare di eseguire interventi di ispezione o manutenzione.

ACCESSORI OPZIONALI

ATTENZIONE: Questi accessori o componenti aggiuntivi sono consigliati per l'uso con l'utensile Makita specificato nel presente manuale. L'impiego di altri accessori o componenti aggiuntivi può costituire un rischio di lesioni alle persone. Utilizzare gli accessori o i componenti aggiuntivi solo per il loro scopo prefissato.

Per ottenere ulteriori dettagli relativamente a questi accessori, rivolgersi a un centro di assistenza Makita.

► Fig.16

-	Modello da 115 mm	Modello da 125 mm
1	Impugnatura 36	
2	Protezione disco (per la mola)	
3	Flangia interna / Super flangia	
4	Disco a centro depresso / disco lamellare	
5	Controdado	
6	Platello di sostegno	
7	Disco flessibile	
8	Platello di gomma 100	Platello di gomma 115
9	Disco abrasivo	
10	Controdado di carteggiatura	
11	Spazzola metallica a disco	
12	Spazzola metallica a tazza	
13	Protezione disco (per mola troncatrice abrasiva) *1	
14	Mola troncatrice abrasiva / disco diamantato	
-	Chiave per controdadi	

NOTA: *1 In alcune nazioni europee, quando si utilizza un disco diamantato è possibile utilizzare la protezione ordinaria al posto della protezione speciale che copre entrambi i lati del disco. Attenersi alle normative della propria nazione.

NOTA: Alcuni articoli nell'elenco potrebbero essere inclusi nell'imballaggio dell'utensile come accessori standard. Tali articoli potrebbero variare da nazione a nazione.

AVVISO: Non utilizzare mai benzina, benzene, solventi, alcol o altre sostanze simili. In caso contrario, si potrebbero causare scolorimenti, deformazioni o crepe.

Pulizia delle aperture di ventilazione

L'utensile e le sue aperture di ventilazione devono essere mantenuti puliti. Pulire le aperture di ventilazione dell'utensile a intervalli regolari, oppure ogni volta che iniziano a ostruirsi.

► Fig.15: 1. Apertura di scarico 2. Apertura di aspirazione

Per preservare la SICUREZZA e l'AFFIDABILITÀ del prodotto, le riparazioni e qualsiasi altro intervento di manutenzione e di regolazione devono essere eseguiti da un centro di assistenza autorizzato Makita, utilizzando sempre ricambi Makita.

TECHNISCHE GEGEVENS

Model:	9557HNR	9558HNR
Schijfdiameter	115 mm	125 mm
Max. schijfdikte	7,2 mm	
Asschroefdraad	M14 of 5/8" (afhankelijk van het land)	
Nominaal toerental (n)	11.000 min ⁻¹	
Totale lengte	271 mm	
Nettogewicht	2,0 kg	2,1 kg
Veiligheidsklasse	□/II	

- In verband met ononderbroken research en ontwikkeling behouden wij ons het recht voor bovenstaande technische gegevens te wijzigen zonder voorafgaande kennisgeving.
- De technische gegevens kunnen van land tot land verschillen.
- Gewicht volgens de EPTA-procedure 01/2003

Gebruiksdoeleinden

Het gereedschap is bedoeld voor het slijpen, schuren en doorslijpen van metaal en steen zonder gebruik van water.

Voeding

Het gereedschap mag alleen worden aangesloten op een voeding van dezelfde spanning als aangegeven op het typeplaatje, en kan alleen worden gebruikt op enkelfase-wisselstroom. Het gereedschap is dubbel-geïsoleerd en kan derhalve ook op een niet-geaard stop-contact worden aangesloten.

Geluidsniveau

De typische, A-gewogen geluidsniveaus zijn gemeten volgens EN60745:

Geluidsdrukniveau (L_{pA}): 86 dB (A)

Geluidsvermogeniveau (L_{WA}): 97 dB (A)

Onzekerheid (K): 3 dB (A)

⚠WAARSCHUWING: Draag gehoorbescherming.

Trilling

De totale trillingswaarde (triaxiale vectorsom) zoals vastgesteld volgens EN60745:

Model 9557HNR

Gebruikstoepassing: oppervlak slijpen

Trillingsemmissie ($a_{h,AG}$): 7,5 m/s²

Onzekerheid (K): 1,5 m/s²

Gebruikstoepassing: schuren met schijf

Trillingsemmissie ($a_{h,DS}$): 2,5 m/s² of lager

Onzekerheid (K): 1,5 m/s²

Model 9558HNR

Gebruikstoepassing: oppervlak slijpen

Trillingsemmissie ($a_{h,AG}$): 8,5 m/s²

Onzekerheid (K): 1,5 m/s²

Gebruikstoepassing: schuren met schijf

Trillingsemmissie ($a_{h,DS}$): 2,5 m/s² of lager

Onzekerheid (K): 1,5 m/s²

OPMERKING: De opgegeven trillingsemmissiewaarde is gemeten volgens de standaardtestmethode en kan worden gebruikt om dit gereedschap te vergelijken met andere gereedschappen.

OPMERKING: De opgegeven trillingsemmissiewaarde kan ook worden gebruikt voor een beoordeling vooraf van de blootstelling.

⚠WAARSCHUWING: De trillingsemmissie tijdens het gebruik van het elektrisch gereedschap in de praktijk kan verschillen van de opgegeven trillingsemmissiewaarde afhankelijk van de manier waarop het gereedschap wordt gebruikt.

⚠WAARSCHUWING: Zorg ervoor dat veiligheidsmaatregelen worden getroffen ter bescherming van de operator die zijn gebaseerd op een schatting van de blootstelling onder praktijkomstandigheden (rekening houdend met alle fasen van de bedrijfs-cyclus, zoals de tijdsduur gedurende welke het gereedschap is uitgeschakeld en stationair draait, naast de ingeschakelde tijdsduur).

⚠WAARSCHUWING: De opgegeven trillingsemmissiewaarde geldt voor de voornaamste toepassingen van het elektrisch gereedschap. Als het elektrisch gereedschap echter voor andere toepassingen wordt gebruikt, kan de trillingsemmissiewaarde daarvoor anders zijn.

EU-verklaring van conformiteit

Alleen voor Europese landen

Makita verklaart hierbij dat de volgende machine(s):

Aanduiding van de machine: Haakse slijpmachine

Modelnr./Type: 9557HNR, 9558HNR

Voldoet aan de volgende Europese richtlijnen:

2006/42/EU

Ze zijn gefabriceerd in overeenstemming met de volgende norm of genormaliseerde documenten: EN60745

Het technisch documentatiebestand volgens 2006/42/EU is verkrijgbaar bij:

Makita, Jan-Baptist Vinkstraat 2, 3070, België
4.6.2015

Algemene veiligheidswaarschuwingen voor elektrisch gereedschap

⚠️ WAARSCHUWING: Lees alle veiligheids-
waarschuwingen en alle instructies. Het niet vol-
gen van de waarschuwingen en instructies kan leiden
tot elektrische schokken, brand en/of ernstig letsel.

Bewaar alle waarschuwingen en instructies om in de toekomst te kunnen raadplegen.

De term "elektrisch gereedschap" in de veiligheidsvoor-
schriften duidt op gereedschappen die op stroom van
het lichtnet werken (met snoer) of gereedschappen met
een accu (snoerloos).

Veiligheidswaarschuwingen voor een slijpmachine

Gemeenschappelijke veiligheidswaarschu-
wingen voor slijp-, schuur-, draadborstel- en
doorslijpwerkzaamheden:

1. **Dit elektrisch gereedschap is bedoeld voor gebruik als slijp-, schuur-, draadborstel- of doorslijpgereedschap. Lees alle veiligheids-
waarschuwingen, instructies, afbeeldingen en technische gegevens die bij dit elektrisch gereedschap worden geleverd. Als u nalaat alle onderstaande instructies te volgen, kan dit leiden tot een elektrische schok, brand en/of ernstig letsel.**
2. **Werkzaamheden zoals polijsten worden niet aangeraden met dit elektrisch gereedschap. Werkzaamheden waarvoor dit elektrisch gereedschap niet is bedoeld kunnen gevaarlijke situaties opleveren en tot persoonlijk letsel leiden.**
3. **Gebruik geen accessoires die niet specifiek zijn ontworpen en aanbevolen door de fabrikant van het gereedschap. Ook wanneer het accessoire kan worden aangebracht op uw elektrisch gereedschap, is een veilige werking niet gegarandeerd.**
4. **Het nominale toerental van het accessoire moet minstens gelijk zijn aan het maximumtoerental vermeld op het elektrisch gereedschap. Accessoires die met een hoger toerental draaien dan hun nominaal toerental kunnen stuk breken en in het rond vliegen.**
5. **De buitendiameter en de dikte van het accessoire moeten binnen het capaciteitsbereik van het elektrisch gereedschap vallen. Accessoires met verkeerde afmetingen kunnen niet afdoende worden afgeschermd of beheerst.**

6. **Als accessoires met schroefdraadbevestiging worden aangebracht, moet de schroefdraad overeenkomen met de asschroefdraad van de slijpmachine. Als accessoires met flensbevestiging worden aangebracht, moet het asgat van het accessoire overeenkomen met de diameter van de pasrand op de flens. Accessoires die niet overeenkomen met de bevestigingshard-
ware van het elektrisch gereedschap, zullen niet gebalanceerd draaien en buitensporig trillen, en kunnen leiden tot verlies van controle over het gereedschap.**
7. **Gebruik nooit een beschadigd accessoire. Inspecteer het accessoire vóór ieder gebruik, bijvoorbeeld een slijpschijf op ontbrekende schilfers en barsten; een rugschijf op barsten, scheuren of buitensporige slijtage; en een draadborstel op losse of gebroken draden. Nadat het elektrisch gereedschap of accessoire is gevallen, inspecteert u het op schade of monteert u een onbeschadigd accessoire. Na inspectie en montage van een accessoire, zorgt u ervoor dat u en omstanders niet in het rotatievlak van het accessoire staan, en laat u het elektrisch gereedschap draaien op het maximaal, onbelast toerental gedurende één minuut. Beschadigde accessoires breken normaal gesproken in stukken gedurende deze testduur.**
8. **Draag persoonlijke-veiligheidsmiddelen. Afhankelijk van de toepassing gebruikt u een spatscherm, een beschermende bril of een veiligheidsbril. Al naar gelang de toepassing draagt u een stofmasker, gehoorbeschermers, handschoenen en een werkschort die in staat zijn kleine stukjes slijpsel of werkstukfragmenten te weerstaan. De oogbescherming moet in staat zijn rondvliegend afval te stoppen dat ontstaat bij de diverse werkzaamheden. Het stofmasker of ademhalingsapparaat moet in staat zijn deeltjes te filteren die ontstaat bij de werkzaamheden. Langdurige blootstelling aan zeer intens geluid kan leiden tot gehoorbeschadiging.**
9. **Houd omstanders op veilige afstand van het werkgebied. Iedereen die zich binnen het werkgebied begeeft, moet persoonlijke-veiligheidsmiddelen gebruiken. Fragmenten van het werkstuk of van een uiteengevallen accessoire kunnen rondvliegen en letsel veroorzaken buiten de onmiddellijk werkomgeving.**
10. **Houd elektrisch gereedschap uitsluitend vast aan het geïsoleerde oppervlak van de handgrepen wanneer u werkt op plaatsen waar het slijpaccessoire met verborgen bedrading of zijn eigen snoer in aanraking kan komen. Wanneer het slijpaccessoire in aanraking komt met onder spanning staande draden, zullen de niet-geïsoleerde metalen delen van het gereedschap onder spanning komen te staan zodat de gebruiker een elektrische schok kan krijgen.**
11. **Houd het snoer goed uit de buurt van het ronddraaiende accessoire. Als u de controle over het gereedschap verliest, kan het snoer worden doorgesneden of bekneld raken, en kan uw hand of arm tegen het ronddraaiende accessoire worden getrokken.**

12. **Leg het elektrisch gereedschap nooit neer voordat het accessoire volledig tot stilstand is gekomen.** Het ronddraaiende accessoire kan de ondergrond pakken zodat u de controle over het elektrisch gereedschap verliest.
13. **Laat het elektrisch gereedschap niet draaien terwijl u het naast u draagt.** Als het ronddraaiende accessoire u per ongeluk raakt, kan het verstrikt raken in uw kleding waardoor het accessoire in uw lichaam wordt getrokken.
14. **Maak de ventilatieopeningen van het elektrisch gereedschap regelmatig schoon.** De ventilator van de motor zal het stof de behuizing in trekken, en een grote opeenhoping van metaalslijpsel kan leiden tot elektrische gevaarlijke situaties.
15. **Gebruik het elektrisch gereedschap niet in de buurt van brandbare materialen.** Vonken kunnen deze materialen doen ontvlammen.
16. **Gebruik geen accessoires die met vloeistof moeten worden gekoeld.** Het gebruik van water of andere vloeibare koelmiddelen kan leiden tot elektrocutie of elektrische schokken.

Terugslag en aanverwante waarschuwingen

Terugslag is een plotselinge reactie op een beknelde of vastgelopen draaiende schijf, rugschijf, borstel of enig ander accessoire. Beknellen of vastlopen veroorzaakt een snelle stilstand van het draaiende accessoire dat op zijn beurt ertoe leidt dat het elektrisch gereedschap zich ongecontroleerd beweegt in de tegenovergestelde richting van de draairichting van het accessoire op het moment van vastlopen. Bijvoorbeeld, als een slijpschijf bekneld raakt of vastloopt in het werkstuk, kan de rand van de schijf die het beknellingspunt ingaat, zich invreten in het oppervlak van het materiaal waardoor de schijf eruit klimt of eruit slaat. De schijf kan daarbij naar de gebruiker toe of weg springen, afhankelijk van de draairichting van de schijf op het beknellingspunt. Slijpschijven kunnen in dergelijke situaties ook breken.

Terugslag is het gevolg van misbruik van het elektrisch gereedschap en/of onjuiste gebruiksprocedures of omstandigheden, en kan worden voorkomen door goede voorzorgsmaatregelen te treffen, zoals hieronder vermeld:

1. **Houd het elektrisch gereedschap stevig vast en houd uw armen en lichaam zodanig dat u in staat bent een terugslag op te vangen. Gebruik altijd de extra handgreep (indien aanwezig) voor een maximale controle over het gereedschap in geval van terugslag en de koppelreactiekrachten bij het starten.** De gebruiker kan een terugslag of de koppelreactiekrachten opvangen indien de juiste voorzorgsmaatregelen worden getroffen.
2. **Plaats uw hand nooit in de buurt van het draaiende accessoire.** Het accessoire kan terugslaan over uw hand.
3. **Plaats uw lichaam niet in het gebied waar het elektrisch gereedschap naar toe gaat wanneer een terugslag optreedt.** Een terugslag zal het gereedschap bewegen in de tegenovergestelde richting van de draairichting van de schijf op het moment van beknellen.
4. **Wees bijzonder voorzichtig bij het werken met hoeken, scherpe randen, enz. Voorkom dat het accessoire springt of bekneld raakt.** Hoeken, scherpe randen of springen veroorzaken vaak beknellen van het draaiende accessoire wat leidt tot terugslag of verlies van controle over het gereedschap.

5. **Bevestig geen zaagketting, houtbewerkingsblad of getand zaagblad.** Dergelijke bladen leiden vaak tot terugslag of verlies van controle over het gereedschap.

Veiligheidswaarschuwingen specifiek voor slijp- en doorslijpwerkzaamheden:

1. **Gebruik uitsluitend schijven van het type aanbevelen voor uw elektrisch gereedschap en de specifieke beschermkap voor de te gebruiken schijf.** Schijven waarvoor het elektrisch gereedschap niet is ontworpen, kunnen niet goed worden afgeschermd en zijn niet veilig.
2. **Het slijppoppervlak van schijven met een verzonken middengat moet bij het aanbrengen lager liggen dan het vlak van de beschermrand.** Bij een onjuist aangebrachte schijf die boven het vlak van de beschermrand uitsteekt is geen goede bescherming mogelijk.
3. **De beschermkap moet stevig worden vastgezet aan het elektrisch gereedschap en in de maximaal beschermende stand worden gezet zodat het kleinste mogelijke deel van de schijf is blootgesteld in de richting van de gebruiker.** De beschermkap dient om de gebruiker te beschermen tegen aanraking met de schijf, stukjes die daarvan af breken en vonken die brandgevaar voor kleding opleveren.
4. **Schijven mogen uitsluitend worden gebruikt voor de aanbevolen toepassingen. Bijvoorbeeld: u mag niet slijpen met de zijkant van een doorslijpschijf.** Doorslijpschijven zijn bedoeld voor slijpen met de rand. Krachten op het zijoppervlak kunnen deze schijven doen breken.
5. **Gebruik altijd onbeschadigde schijfflenzen van de juiste afmetingen en vorm voor de te gebruiken schijf.** Een goede schijfflens ondersteunt de schijf en verkleint daarmee de kans op het breken van de schijf. Flenzen voor doorslijpschijven kunnen verschillen van flenzen voor slijpschijven.
6. **Gebruik geen deels afgesleten schijven van grotere elektrische gereedschappen.** Schijven die zijn bedoeld voor grotere elektrische gereedschappen zijn niet geschikt voor de hogere snelheid van een kleiner elektrisch gereedschap en kunnen in stukken breken.

Aanvullende veiligheidswaarschuwingen specifiek voor doorslijpwerkzaamheden:

1. **Laat de doorslijpschijf niet vastlopen en oefen geen buitensporige druk uit. Probeer niet een buitensporig diepe snede te slijpen.** Een te grote kracht op de schijf verhoogt de belasting en de kans dat de schijf in de snede verdraait of vastloopt, waardoor terugslag kan optreden of de schijf kan breken.
2. **Plaats uw lichaam niet in één lijn achter de ronddraaiende schijf.** Wanneer de schijf, op het aangrijppunt in het werkstuk, zich van uw lichaam af beweegt, kunnen door de mogelijke terugslag de ronddraaiende schijf en het elektrisch gereedschap in uw richting worden geworpen.
3. **Wanneer de schijf vastloopt of u het slijpen onderbreekt, schakelt u het elektrisch gereedschap uit en houdt u dit stil totdat de schijf volledig tot stilstand is gekomen. Probeer**

- nooit de doorslijpschijf uit de snede te halen terwijl de schijf nog draait omdat hierdoor een terugslag kan optreden. Onderzoek waarom de schijf is vastgelopen en tref afdoende maatregelen om de oorzaak ervan op te heffen.
4. **Begin niet met doorslijpen terwijl de schijf al in het werkstuk steekt. Wacht totdat de schijf op maximaal toerental draait en breng daarna de schijf voorzichtig terug in de snede.** Wanneer het elektrisch gereedschap opnieuw wordt gestart terwijl de schijf al in het werkstuk steekt, kan de schijf vastlopen, omhoog lopen of terugslaan.
 5. **Ondersteun platen en grote werkstukken om de kans op het beknellen van de schijf en terugslag te minimaliseren.** Grote werkstukken neigen door te zakken onder hun eigen gewicht. U moet het werkstuk ondersteunen vlakbij de snijlijn en vlakbij de rand van het werkstuk aan beide kanten van de schijf.
 6. **Wees extra voorzichtig bij het maken van een invalslijpsnede in bestaande wanden of op andere plaats waarvan u de onderkant niet kunt zien.** De uitstekende schijf kan gas- of waterleidingen, elektrische bedrading of voorwerpen die terugslag veroorzaken raken.

Veiligheidswaarschuwingen specifiek voor schuurwerkzaamheden:

1. **Gebruik geen veel te grote schuurpapierschijven. Volg de aanbevelingen van de fabrikant bij uw keuze van het schuurpapier.** Te groot schuurpapier dat uitsteekt tot voorbij de rand van het schuurkussen levert snijgevaar op en kan beknellen of scheuren van de schuurpapierschijf of terugslag veroorzaken.

Veiligheidswaarschuwingen specifiek voor draadborstelwerkzaamheden:

1. **Wees erop bedacht dat ook tijdens normaal gebruik borsteldraden door de borstel worden rondgeslingerd. Oefen niet te veel kracht uit op de borsteldraden door een te hoge belasting van de borstel.** De borsteldraden kunnen met gemak door dunne kleding en/of de huid dringen.
2. **Als het gebruik van een beschermkap wordt aanbevolen voor draadborstelen, zorgt u ervoor dat de draadschijf of draadborstel niet in aanraking komt met de beschermkap.** De draadschijf of draadborstel kan in diameter toemenen als gevolg van de werkbelasting en centrifugale krachten.

Aanvullende veiligheidswaarschuwingen:

1. **Bij gebruik van een slijpschijf met een verzonden middengat, mag u uitsluitend met glasvezel versterkte schijven gebruiken.**
2. **GEBRUIK NOOIT een stenen komschijf op deze slijpmachine.** Deze slijpmachine is niet ontworpen voor dit type schijven en het gebruik ervan kan leiden tot ernstig persoonlijk letsel.
3. **Let erop dat u de as, de flens (met name de montagekant) en de borgmoer niet beschadigt.** Als deze onderdelen beschadigd raken, kan de schijf breken.
4. **Zorg ervoor dat de schijf niet in aanraking is met het werkstuk voordat u het gereedschap hebt ingeschakeld.**

5. **Laat gereedschap een tijdje draaien voordat u het op het werkstuk gaat gebruiken. Controleer op trillingen of schommelingen die op onjuiste montage of een slecht uitgebalanceerd schijf kunnen wijzen.**
6. **Gebruik de aangegeven kant van de schijf om mee te slijpen.**
7. **Laat het gereedschap niet ingeschakeld liggen. Schakel het gereedschap alleen in wanneer u het vasthoudt.**
8. **Raak het werkstuk niet onmiddellijk na bewerking aan. Het kan bijzonder heet zijn en brandwonden op uw huid veroorzaken.**
9. **Houd u aan de instructies van de fabrikant voor het juist aanbrengen en gebruiken van de schijven. Behandel de schijven voorzichtig en berg deze met zorg op.**
10. **Gebruik geen afzonderlijke verloopbussen of adapters om slijpschijven met een groot asgat aan dit gereedschap aan te passen.**
11. **Gebruik uitsluitend flenzen die geschikt zijn voor dit gereedschap.**
12. **Voor gereedschap waarop schijven met een geschroefd asgat dienen aangebracht te worden, moet u ervoor zorgen dat de schroefdraad in de schijf lang genoeg is zodat de as helemaal erin gaat.**
13. **Zorg ervoor dat het werkstuk goed ondersteund is.**
14. **Houd er rekening mee dat de schijf nog een tijdje blijft draaien nadat het gereedschap is uitgeschakeld.**
15. **Indien de werkplaats uiterst warm en vochtig is, of erg verontreinigd is met geleidend stof, gebruikt u een kortsluitstroomonderbreker (30 mA) om de veiligheid van de gebruiker te verzekeren.**
16. **Gebruik het gereedschap niet op materialen die asbest bevatten.**
17. **Wanneer u een doorslijpschijf gebruikt, dient u altijd te werken met de stofvangbeschermkap die door de plaatselijke overheid wordt voorgeschreven.**
18. **Schijven bedoeld voor doorslijpen mogen niet aan zijwaartse druk worden blootgesteld.**
19. **Draag geen stoffen werkhandschoenen tijdens gebruik van dit gereedschap.** Vezels van stoffen handschoenen kunnen binnendringen in het gereedschap waardoor het gereedschap defect kan raken.

BEWAAR DEZE INSTRUCTIES.

⚠WAARSCHUWING: Laat u NIET misleiden door een vals gevoel van comfort en bekendheid met het gereedschap (na veelvuldig gebruik) en neem alle veiligheidsvoorschriften van het betreffende gereedschap altijd strikt in acht. VERKEERD GEBRUIK of het niet naleven van de veiligheidsvoorschriften in deze gebruiksaanwijzing kan leiden tot ernstig persoonlijk letsel.

BESCHRIJVING VAN DE FUNCTIES

⚠ALLET OP: Controleer altijd of het gereedschap is uitgeschakeld en de stekker ervan uit het stopcontact is verwijderd alvorens de functies op het gereedschap te controleren of af te stellen.

Asvergrendeling

Druk de asvergrendeling in om te voorkomen dat de as meedraait wanneer u accessoires aanbrengt of verwijderd.

► Fig.1: 1. Asvergrendeling

KENNISGEVING: Bedien de asvergrendeling nooit terwijl de as draait. Het gereedschap kan hierdoor worden beschadigd.

Werking van de schakelaar

⚠ALLET OP: Controleer altijd, voordat u de stekker in het stopcontact steekt, of de schuifschakelaar op de juiste manier schakelt en terugkeert naar de uit-stand, wanneer op de achterkant van de schuifschakelaar wordt gedrukt.

⚠ALLET OP: De schakelaar kan worden vergrendeld in de aan-stand ten behoeve van het gebruikersgemak bij langdurig gebruik. Wees extra voorzichtig wanneer u de schakelaar in de aan-stand vergrendelt en houd het gereedschap altijd stevig vast.

Om het gereedschap in te schakelen, schuift u de schuifschakelaar naar de stand "I" (aan) door tegen de achterkant van de schuifschakelaar te duwen.

Om het gereedschap continu te laten werken, drukt u op de voorkant van de schuifschakelaar om deze te vergrendelen.

Om het gereedschap te stoppen, drukt u op de achterkant van de schuifschakelaar en schuift u die naar de stand "O" (uit).

► Fig.2: 1. Schuifschakelaar

Beveiliging tegen onbedoeld inschakelen

Het gereedschap kan niet worden ingeschakeld, terwijl de schakelaar in de aan-stand is vergrendeld en het apparaat van stroom wordt voorzien.

Om de beveiliging tegen onbedoeld inschakelen te deactiveren, zet u de aan/uit-schakelaar terug in de uit-stand.

OPMERKING: Wanneer de beveiliging tegen onbedoeld inschakelen in werking is, wacht u minstens één seconde voordat u het gereedschap weer inschakelt.

OPMERKING: Wanneer het gereedschap wordt overbelast en de temperatuur van het gereedschap een bepaalde waarde bereikt, kan het gereedschap automatisch worden uitgeschakeld. In die situatie laat u het gereedschap eerst afkoelen voordat u het gereedschap opnieuw inschakelt.

Zachte-startfunctie

De zachte-startfunctie voorkomt abrupt schoksgewijs inschakelen.

MONTAGE

⚠ALLET OP: Zorg altijd dat het gereedschap is uitgeschakeld en dat zijn stekker uit het stopcontact is verwijderd alvorens enig werk aan het gereedschap uit te voeren.

De zijhandgreep (handvat) monteren

⚠ALLET OP: Controleer altijd voor gebruik of de zijhandgreep stevig vastzit.

Draai de zijhandgreep vast op het gereedschap in een van de standen aangegeven in de afbeelding.

► Fig.3

De beschermkap aanbrengen en verwijderen (voor schijf met een verzonken middengat, lamellenschijf, flexischijf, schijfvormige draadborstel, doorslijpschijf, diamantschijf)

⚠WAARSCHUWING: Bij gebruik van een schijf met een verzonken middengat, lamellenschijf, flexischijf of schijfvormige draadborstel moet de beschermkap zodanig op het gereedschap worden gemonteerd dat de gesloten zijde van de kap altijd naar de gebruiker is gekeerd.

⚠WAARSCHUWING: Wanneer u een doorslijpschijf of diamantschijf gebruikt, moet u altijd een beschermkap gebruiken die speciaal ontworpen is voor gebruik met doorslijpschijven.

(In sommige Europese landen kan bij gebruik van een diamantschijf de normale beschermkap worden gebruikt. Houd u aan de regelgeving in uw land.)

Monteer de beschermkap met de uitsteeksel aan de beschermkapband recht tegenover de inkepingen in het lagerhuis. Draai vervolgens de beschermkap naar een dusdanige hoek dat deze de gebruiker beschermt tijdens de werkzaamheden. Draai de schroef vooral stevig vast.

Om de beschermkap te verwijderen, volgt u de procedure voor het aanbrengen in de omgekeerde volgorde.

► Fig.4: 1. Beschermkap 2. Lagerhuis 3. Schroef

Een schijf met een verzonken middengat of een lamellenschijf aanbrengen en verwijderen

Optioneel accessoire

⚠ WAARSCHUWING: Bij gebruik van een schijf met een verzonken middengat of een lamellenschijf, moet de beschermkap zodanig op het gereedschap worden aangebracht dat de gesloten zijde van de kap altijd naar de gebruiker is gekeerd.

⚠ LET OP: Zorg ervoor dat de pasrand van de binnenflens perfect past in de binnendiameter van de schijf met een verzonken middengat of lamellenschijf. Als u de binnenflens met de verkeerde zijkant aanbrengt, kunnen gevaarlijke trillingen het gevolg zijn.

Breng de binnenflens aan op de as. Zorg ervoor dat het ingedeukte deel van de binnenflens wordt aangebracht op het rechte deel onderaan de as. Pas de schijf met een verzonken middengat of lamellenschijf op de binnenflens en draai de borgmoer op de as vast.

► **Fig.5:** 1. Borgmoer 2. Schijf met een verzonken middengat 3. Binnenflens 4. Pasrand

Om de borgmoer vast te draaien, drukt u de asvergrendeling stevig in zodat de as niet kan draaien, en gebruikt u vervolgens de borgmoersleutel om de borgmoer stevig rechtsom vast te draaien.

► **Fig.6:** 1. Borgmoersleutel 2. Asvergrendeling

Om de schijf te verwijderen, volgt u de procedure in omgekeerde volgorde.

Superflens

Optioneel accessoire

Aleen voor gereedschappen met M14-asschroefdraad.

Modellen voorzien van de letter F zijn standaard uitgerust met een superflens. Hierbij is slechts 1/3 van de kracht nodig voor het losmaken van de borgmoer, vergeleken met het conventionele type.

Een flexischijf aanbrengen of verwijderen

Optioneel accessoire

⚠ WAARSCHUWING: Gebruik altijd de bijgeleverde beschermkap wanneer een flexischijf op het gereedschap is aangebracht. De schijf kan tijdens het gebruik kapotslaan en de beschermkap helpt om persoonlijk letsel te voorkomen.

► **Fig.7:** 1. Borgmoer 2. Flexischijf 3. Rugschijf 4. Binnenflens

Houd u aan de instructies voor een schijf met een verzonken middengat, maar gebruik tevens een rugschijf onder de schijf. Raadpleeg de volgorde van aanbrengen op de accessoire-pagina in deze gebruiksaanwijzing.

Een schuurpapierschijf aanbrengen of verwijderen

Optioneel accessoire

► **Fig.8:** 1. Borgmoer voor schuren
2. Schuurpapierschijf 3. Rubber rugschijf

1. Bevestig de rubber rugschijf op de as.
2. Breng de schijf aan op de rubber rugschijf en draai de borgmoer voor schuren op de as.
3. Vergrendel de as met de asvergrendeling en draai de borgmoer voor schuren stevig rechtsom vast met behulp van de borgmoersleutel.

Om de schijf te verwijderen, volgt u de procedure in omgekeerde volgorde.

OPMERKING: Gebruik schuuraccessoires die worden beschreven in deze gebruiksaanwijzing. Deze moeten afzonderlijk worden aangeschaft.

BEDIENING

⚠ WAARSCHUWING: Het is in geen geval ooit nodig om grote druk op het gereedschap uit te oefenen. Het gewicht van het gereedschap oefent voldoende druk uit. Forceren of te grote druk uitoefenen kan ertoe leiden dat de schijf breekt, hetgeen gevaarlijk is.

⚠ WAARSCHUWING: Vervang **ALTIJD** de schijf als het gereedschap tijdens het slijpen is gevallen.

⚠ WAARSCHUWING: Laat **NOOIT** de slijpschijf of de schijf met kracht op uw werkstuk terecht komen.

⚠ WAARSCHUWING: Voorkom dat de schijf springt of bekneld raakt, met name bij het werken rond hoeken, scherpe randen enz. Dat kan leiden tot terugslag of verlies van controle over het gereedschap.

⚠ WAARSCHUWING: Gebruik dit gereedschap **NOOIT** met houtzagen en andere zaagbladen. Zulke zaagbladen op een slijpmachine leiden vaak tot terugslag of verlies van controle over het gereedschap, wat kan leiden tot persoonlijk letsel.

⚠ LET OP: Schakel nooit het gereedschap in terwijl dat het werkstuk al raakt omdat hierdoor letsel kan worden veroorzaakt bij de gebruiker.

⚠ LET OP: Draag tijdens gebruik altijd een veiligheidsbril of spatscherm.

⚠ LET OP: Schakel na gebruik altijd het gereedschap uit en wacht tot de schijf helemaal tot stilstand is gekomen voordat u het gereedschap neerlegt.

⚠ LET OP: Houd het gereedschap **ALTIJD** stevig vast met één hand op de behuizing en de andere hand aan de zijhandgreep (handvat).

Gebruik als slijpmachine of schuurmachine

► Fig.9

Schakel het gereedschap in en breng daarna de schijf op/in het werkstuk.

In het algemeen geldt: houd de rand van de schijf onder een hoek van ongeveer 15° op het oppervlak van het werkstuk. Tijdens de inlooptijd van een nieuwe schijf mag u de slijpmachine niet in voorwaartse richting bewegen omdat deze anders in het werkstuk kan 'invreten'. Pas nadat de rand van de schijf door slijtage is afgerond, mag u de schijf in zowel voorwaartse als achterwaartse richting gebruiken.

Gebruik met een doorslijpschijf of diamantschijf

Optioneel accessoire

⚠ WAARSCHUWING: Wanneer u een doorslijpschijf of diamantschijf gebruikt, moet u altijd een beschermkap gebruiken die speciaal ontworpen is voor gebruik met doorslijpschijven.

(In sommige Europese landen kan bij gebruik van een diamantschijf de normale beschermkap worden gebruikt. Houd u aan de regelgeving in uw land.)

⚠ WAARSCHUWING: Gebruik **NOOIT** een doorslijpschijf om zijdelings mee te slijpen.

⚠ WAARSCHUWING: Laat de schijf niet vastlopen en oefen geen buitensporige druk uit. Probeer niet een buitensporig diepe snede te slijpen. Een te grote kracht op de schijf verhoogt de belasting en de kans dat de schijf in de snede verdraait of vastloopt, waardoor terugslag kan optreden, de schijf kan breken of de motor oververhit kan raken.

⚠ WAARSCHUWING: Begin niet met doorslijpen terwijl de schijf al in het werkstuk steekt. Wacht totdat de schijf op maximaal toerental draait en breng daarna de schijf voorzichtig in de snede terwijl u het gereedschap voorwaarts beweegt over het oppervlak van het werkstuk.

Wanneer het elektrisch gereedschap wordt ingeschakeld terwijl de schijf al in het werkstuk steekt, kan de schijf vastlopen, omhoog lopen of terugslaan.

⚠ WAARSCHUWING: Tijdens het doorslijpen mag u nooit de hoek van de schijf veranderen. Door zijdelingse druk uit te oefenen op de doorslijpschijf (zoals bij slijpen), zal de schijf barsten en breken waardoor ernstig persoonlijk letsel wordt veroorzaakt.

⚠ WAARSCHUWING: Een diamantschijf moet haaks op het door te slijpen werkstuk worden gebruikt.

► Fig.10: 1. Borgmoer 2. Doorslijpschijf of diamantschijf 3. Binnenflens 4. Beschermkap voor doorslijpschijf of diamantschijf

Volg voor het aanbrengen de instructies voor een schijf met een verzonken middengat.

De montagerichting van de borgmoer en binnenflens verschilt afhankelijk van het type en de dikte van de schijf.

Zie de volgende afbeeldingen.

Een doorslijpschijf aanbrengen:

► Fig.11: 1. Borgmoer 2. Doorslijpschijf (dunner dan 4 mm) 3. Doorslijpschijf (4 mm of dikker) 4. Binnenflens

Een diamantschijf aanbrengen:

► Fig.12: 1. Borgmoer 2. Diamantschijf (dunner dan 4 mm) 3. Diamantschijf (4 mm of dikker) 4. Binnenflens

Gebruik met een komvormige draadborstel

Optioneel accessoire

⚠ LET OP: Controleer de werking van de draadborstel door het gereedschap onbelast te laten draaien terwijl u erop let dat niemand vóór of in één lijn met de draadborstel staat.

⚠ LET OP: Gebruik de draadborstel niet wanneer deze beschadigd is of onbalans heeft. Het gebruik van een beschadigde draadborstel verhoogt de kans op verwonding door aanraking van afgebroken borsteldraden.

► Fig.13: 1. Komvormige draadborstel

Trek de stekker van het netsnoer uit het stopcontact en plaats het gereedschap ondersteboven zodat de as goed toegankelijk is.

Verwijder alle accessoires vanaf de as. Draai de komvormige draadborstel op de as en draai hem vast met behulp van de bijgeleverde sleutel.

KENNISGEVING: Voorkom tijdens gebruik van de draadborstel te veel druk waardoor de borsteldraden te veel verbuigen. Dit kan leiden tot voortijdig afbreken.

Gebruik met een schijfvormige draadborstel

Optioneel accessoire

⚠ LET OP: Controleer de werking van de schijfvormige draadborstel door het gereedschap onbelast te laten draaien terwijl u erop let dat niemand vóór of in één lijn met de schijfvormige draadborstel staat.

⚠ LET OP: Gebruik de schijfvormige draadborstel niet wanneer deze beschadigd is of onbalans heeft. Het gebruik van een beschadigde schijfvormige draadborstel verhoogt de kans op verwonding door aanraking van afgebroken borsteldraden.

⚠ LET OP: Gebruik bij de schijfvormige draadborstel **ALTIJD** de beschermkap, waarbij de buitendiameter van de schijfvormige draadborstel binnenin de beschermkap moet vallen. De schijf kan tijdens het gebruik kapotslaan en de beschermkap helpt om persoonlijk letsel te voorkomen.

► Fig.14: 1. Schijfvormige draadborstel

Trek de stekker van het netsnoer uit het stopcontact en plaats het gereedschap ondersteboven zodat de as goed toegankelijk is.

Verwijder alle accessoires vanaf de as. Draai de schijf-vormige draadborstel op de as en zet deze vast met de bijgeleverde sleutel.

KENNISGEVING: Voorkom tijdens gebruik van de draadborstel te veel druk waardoor de draden van de schijfvormige draadborstel te veel verbuigen. Dit kan leiden tot voortijdig afbreken.

KENNISGEVING: Gebruik nooit benzine, wasbenzine, thinner, alcohol en dergelijke. Hierdoor kunnen verkleuring, vervormingen en barsten worden veroorzaakt.

De ventilatieopeningen schoonmaken

Zorg dat het gereedschap en de ventilatieopeningen steeds goed schoon blijven. Maak regelmatig de ventilatieopeningen schoon en let goed op dat ze niet verstopt raken.

- Fig.15: 1. Luchtuitlaatopening
2. Luchtinlaatopening

Om de VEILIGHEID en BETROUWBAARHEID van het gereedschap te handhaven, dienen alle reparaties, onderhoud of afstellingen te worden uitgevoerd bij een erkend Makita-servicecentrum of de Makita-fabriek, en altijd met gebruik van Makita-vervangingsonderdelen.

ONDERHOUD

▲LET OP: Zorg altijd dat het gereedschap is uitgeschakeld en zijn stekker uit het stopcontact is verwijderd alvorens te beginnen met inspectie of onderhoud.

OPTIONELE ACCESSOIRES

▲LET OP: Deze accessoires of hulpstukken worden aanbevolen voor gebruik met het Makita gereedschap dat in deze gebruiksaanwijzing is beschreven. Bij gebruik van andere accessoires of hulpstukken bestaat het gevaar van persoonlijke letsel. Gebruik de accessoires of hulpstukken uitsluitend voor hun bestemde doel.

Wenst u meer bijzonderheden over deze accessoires, neem dan contact op met het plaatselijke Makita-servicecentrum.

► Fig.16

-	Model voor 115 mm	Model voor 125 mm
1	Zijhandgreep 36	
2	Beschermkap (voor slijpschijf)	
3	Binnenflens of superflens	
4	Schijf met een verzonken middengat of lamellenschijf	
5	Borgmoer	
6	Rugschijf	
7	Flexischijf	
8	Rubber rugschijf 100	Rubber rugschijf 115
9	Schuurpapierschijf	
10	Borgmoer voor schuren	
11	Schijfvormige draadborstel	
12	Komvormige draadborstel	
13	Beschermkap (voor doorslijpschijf) *1	
14	Doorslijpschijf of diamantschijf	
-	Borgmoersleutel	

OPMERKING: *1 In sommige Europese landen kan bij gebruik van een diamantschijf de normale beschermkap worden gebruikt in plaats van de speciale beschermkap die beide zijden van de schijf afschermt. Houd u aan de regelgeving in uw land.

OPMERKING: Sommige items op de lijst kunnen zijn inbegrepen in de doos van het gereedschap als standaard toebehoren. Deze kunnen van land tot land verschillen.

ESPECIFICACIONES

Modelo:	9557HNR	9558HNR
Diámetro de la muela	115 mm	125 mm
Grosor máx. de la muela	7,2 mm	
Rosca de mandril	M14 o 5/8" (específico para cada país)	
Velocidad especificada (n)	11.000 min ⁻¹	
Longitud total	271 mm	
Peso neto	2,0 kg	2,1 kg
Clase de seguridad	□/II	

- Debido a nuestro continuado programa de investigación y desarrollo, las especificaciones aquí dadas están sujetas a cambios sin previo aviso.
- Las especificaciones pueden ser diferentes de país a país.
- Peso de acuerdo con el procedimiento EPTA 01/2003

Uso previsto

La herramienta ha sido prevista para esmerilar, lijar y cortar metales y materiales de piedra sin utilizar agua.

Alimentación

La herramienta deberá ser conectada solamente a una fuente de alimentación de la misma tensión que la indicada en la placa de características, y solamente puede ser utilizada con alimentación de CA monofásica. La herramienta tiene doble aislamiento y puede, por lo tanto, utilizarse también en tomas de corriente sin conductor de tierra.

Ruido

El nivel de ruido A-ponderado típico determinado de acuerdo con la norma EN60745:

Nivel de presión sonora (L_{pA}): 86 dB (A)
 Nivel de potencia sonora (L_{WA}): 97 dB (A)
 Error (K): 3 dB (A)

⚠ ADVERTENCIA: Póngase protectores para oídos.

Vibración

El valor total de la vibración (suma de vectores triaxiales) determinado de acuerdo con la norma EN60745:

Modelo 9557HNR

Modo de trabajo: esmerilado superficial

Emisión de vibración ($a_{h,AG}$): 7,5 m/s²

Error (K): 1,5 m/s²

Modo de trabajo: lijado con disco

Emisión de vibración ($a_{h,DS}$): 2,5 m/s² o menos

Error (K): 1,5 m/s²

Modelo 9558HNR

Modo de trabajo: esmerilado superficial

Emisión de vibración ($a_{h,AG}$): 8,5 m/s²

Error (K): 1,5 m/s²

Modo de trabajo: lijado con disco

Emisión de vibración ($a_{h,DS}$): 2,5 m/s² o menos

Error (K): 1,5 m/s²

NOTA: El valor de emisión de vibración declarado ha sido medido de acuerdo con el método de prueba estándar y se puede utilizar para comparar una herramienta con otra.

NOTA: El valor de emisión de vibración declarado también se puede utilizar en una valoración preliminar de exposición.

⚠ ADVERTENCIA: La emisión de vibración durante la utilización real de la herramienta eléctrica puede variar del valor de emisión declarado dependiendo de las formas en las que la herramienta sea utilizada.

⚠ ADVERTENCIA: Asegúrese de identificar medidas de seguridad para proteger al operario que estén basadas en una estimación de la exposición en las condiciones reales de utilización (teniendo en cuenta todas las partes del ciclo operativo como las veces cuando la herramienta está apagada y cuando está funcionando en vacío además del tiempo de gatillo).

⚠ ADVERTENCIA: El valor de emisión de vibración declarado se utiliza para las aplicaciones principales de la herramienta eléctrica. Sin embargo, si la herramienta eléctrica es utilizada para otras aplicaciones, el valor de emisión de vibración podrá ser diferente.

Declaración de conformidad CE

Para países europeos solamente

Makita declara que la(s) máquina(s) siguiente(s):

Designación de máquina: Esmeriladora Angular

Modelo N°/ Tipo: 9557HNR, 9558HNR

Cumplen con las directivas europeas siguientes:

2006/42/CE

Están fabricadas de acuerdo con las normas o documentos normalizados siguientes: EN60745

El archivo técnico de acuerdo con la norma 2006/42/CE está disponible en:

Makita, Jan-Baptist Vinkstraat 2, 3070, Bélgica

4.6.2015

Yasushi Fukaya

Director

Makita, Jan-Baptist Vinkstraat 2, 3070, Bélgica

Advertencias de seguridad para herramientas eléctricas en general

⚠️ ADVERTENCIA: Lea todas las advertencias de seguridad y todas las instrucciones. Si no sigue las advertencias e instrucciones podrá resultar en una descarga eléctrica, un incendio y/o heridas graves.

Guarde todas las advertencias e instrucciones para futuras referencias.

El término "herramienta eléctrica" en las advertencias se refiere a su herramienta eléctrica de funcionamiento con conexión a la red eléctrica (con cable) o herramienta eléctrica de funcionamiento a batería (sin cable).

Advertencias de seguridad para la esmeriladora

Advertencias de seguridad comunes para las operaciones de esmerilar, lijar, cepillar con alambres, o corte abrasivo:

1. **Esta herramienta eléctrica ha sido prevista para funcionar como esmeriladora, lijadora, cepillo de alambres o herramienta de corte. Lea todas las advertencias de seguridad, instrucciones, ilustraciones y especificaciones provistas con esta herramienta eléctrica.** Si no sigue todas las instrucciones indicadas abajo podrá resultar en una descarga eléctrica, un incendio y/o heridas graves.
2. **Operaciones tales como las de pulido no se recomienda realizarlas con esta herramienta eléctrica.** Las operaciones para las que la herramienta eléctrica no ha sido diseñada podrán crear un riesgo y ocasionar heridas personales.
3. **No utilice accesorios que no estén específicamente diseñados y recomendados por el fabricante de la herramienta.** Solo porque el accesorio pueda ser colocado en su herramienta eléctrica no garantiza una operación segura.
4. **La velocidad especificada del accesorio deberá ser por lo menos igual a la máxima velocidad marcada en la herramienta eléctrica.** Los accesorios utilizados por encima de su velocidad especificada podrán romperse y salir despedidos.
5. **El diámetro exterior y el grosor de su accesorio deberán estar dentro del rango de capacidad de su herramienta eléctrica.** Los accesorios de tamaño incorrecto no podrán ser protegidos y controlados debidamente.
6. **El montaje a rosca de los accesorios deberá coincidir con la rosca de mandril de la esmeriladora. Para accesorios montados con bridas, el orificio para eje del accesorio deberá encajar en el diámetro de ubicación de la brida.** Los accesorios que no coincidan con el mecanismo de montaje de la herramienta eléctrica se desequilibrarán, vibrarán excesivamente y podrán ocasionar una pérdida de control.
7. **No utilice un accesorio que esté dañado. Antes de cada uso, inspeccione los accesorios tales como las muelas abrasivas por si están astilladas o agrietadas, el plato de respaldo por si está agrietado, rasgado o muy desgastado, el cepillo de alambres por si tiene alambres sueltos o quebradas. Si deja caer la herramienta eléctrica o el accesorio, inspeccione por si hay daños o instale un accesorio que no esté dañado. Después de inspeccionar e instalar un accesorio, póngase usted y cualquier curioso alejados del plano del accesorio giratorio y haga funcionar la herramienta a la máxima velocidad sin carga durante un minuto.** Los accesorios dañados normalmente se desintegrarán durante este tiempo de prueba.
8. **Póngase equipo de protección personal. Dependiendo de la aplicación, utilice pantalla facial, gafas de protección o gafas de seguridad. Según corresponda, póngase mascarilla contra el polvo, protectores auditivos, guantes y delantal de taller que pueda detener pequeños fragmentos abrasivos o de pieza de trabajo.** La protección de los ojos deberá poder detener los desechos despedidos generados en distintas operaciones. La mascarilla contra el polvo o respirador deberá poder filtrar las partículas generadas por la operación que realice. Una exposición prolongada a ruido de alta intensidad podrá ocasionar pérdida auditiva.
9. **Mantenga a los curiosos a una distancia segura del área de trabajo. Cualquiera persona que entre en el área de trabajo deberá ponerse equipo de protección personal.** Los fragmentos de la pieza de trabajo o de un accesorio roto podrán salir despedidos y ocasionar heridas más allá del área de operación.
10. **Cuando realice una operación en la que la herramienta de corte pueda entrar en contacto con cableado oculto o con su propio cable, sujete la herramienta eléctrica por las superficies de asiento aisladas.** El contacto del accesorio de corte con un cable con corriente hará que la corriente circule por las partes metálicas expuestas de la herramienta eléctrica y podrá soltar una descarga eléctrica al operario.
11. **Coloque el cable apartado del accesorio giratorio.** Si pierde el control, el cable podrá ser cortado o enredarse y su mano o brazo ser arrastrado hacia el accesorio giratorio.
12. **No deje nunca la herramienta eléctrica hasta que el accesorio se haya detenido completamente.** El accesorio giratorio podrá agarrarse a la superficie y tirar de la herramienta eléctrica haciéndole perder el control de la misma.

13. **No tenga en marcha la herramienta eléctrica mientras la trasporta en su costado.** Un contacto accidental con el accesorio giratorio podrá enredar sus ropas, y atraer el accesorio hacia su cuerpo.
14. **Limpie regularmente las aberturas de ventilación de la herramienta eléctrica.** El ventilador del motor conducirá el polvo hacia el interior de la carcasa y una acumulación excesiva de metal en polvo podrá ocasionar peligros eléctricos.
15. **No utilice la herramienta eléctrica cerca de materiales inflamables.** Las chispas podrán prender fuego a estos materiales.
16. **No utilice accesorios que requieran refrigerantes líquidos.** La utilización de agua u otros refrigerantes líquidos podrá resultar en una electrocución o descarga eléctrica.

Advertencias sobre retrocesos bruscos y otros peligros relacionados

El retroceso brusco es una reacción repentina debida a un aprisionamiento o estancamiento de la muela giratoria, plato de respaldo, cepillo o cualquier otro accesorio giratorio. El aprisionamiento o estancamiento ocasiona un detenimiento rápido del accesorio giratorio que a su vez hace que la herramienta eléctrica descontrolada sea forzada en dirección opuesta a la rotación del accesorio en el punto de bloqueo.

Por ejemplo, si una muela abrasiva queda aprisionada o estancada por la pieza de trabajo, el borde de la muela que está entrando en el punto de estancamiento puede hincarse en la superficie del material haciendo que la muela se salga de la hendidura o salte. La muela podrá saltar hacia el operario o en dirección contraria a él, dependiendo de la dirección del movimiento de la muela en el punto de estancamiento. Las muelas abrasivas también podrán romperse en estas condiciones. El retroceso brusco es el resultado de un mal manejo de la herramienta eléctrica y/o procedimientos o condiciones de operación incorrectos y pueden evitarse tomando las precauciones apropiadas ofrecidas abajo.

1. **Mantenga empuñada firmemente la herramienta eléctrica y coloque su cuerpo y brazo de forma que le permitan resistir las fuerzas del retroceso brusco.** Utilice siempre el mango auxiliar, si está provisto, para tener el máximo control sobre el retroceso brusco o reacción de torsión durante la puesta en marcha. El operario puede controlar las reacciones de torsión o fuerzas del retroceso brusco, si toma las precauciones adecuadas.
2. **No ponga nunca su mano cerca del accesorio giratorio.** El accesorio podrá retroceder bruscamente sobre su mano.
3. **No ponga su cuerpo en el área donde vaya a desplazarse la herramienta eléctrica si ocurre un retroceso brusco.** El retroceso brusco propulsará la herramienta en dirección opuesta al movimiento de la muela en el punto del enredo.
4. **Tenga cuidado especial cuando trabaje en esquinas, bordes cortantes, etc.** Evite que el accesorio rebote o se enrede. Las esquinas, bordes cortantes o los rebotes tienen una tendencia a enredar el accesorio giratorio y causar una pérdida de control o retroceso brusco.
5. **No coloque una cadena de sierra, un disco de tallar madera o un disco de sierra dentado.** Tales discos crean retrocesos bruscos y pérdida de control frecuentes.

Advertencias de seguridad específicas para operaciones de esmerilar y corte abrasivo:

1. **Utilice solamente tipos de muela que estén recomendadas para su herramienta eléctrica y el protector específico diseñado para la muela seleccionada.** Las muelas para las que no ha sido diseñada la herramienta eléctrica no pueden ser protegidas debidamente y no son seguras.
2. **La superficie para esmerilar de las muelas de centro hundido deberá estar montada por debajo del plano de la falda del protector.** Una muela mal montada que sobresalga a través del plano de la falda del protector no estará bien protegida.
3. **El protector deberá estar colocado firmemente en la herramienta eléctrica y posicionado para ofrecer la máxima seguridad, de forma que hacia el operario quede expuesta la mínima parte de muela.** El protector ayuda a proteger al operario de fragmentos de una muela rota, de un contacto accidental con la muela y de chispas que pueden prender fuego a sus ropas.
4. **Las muelas deberán ser utilizadas solamente para aplicaciones recomendadas. Por ejemplo: no esmerile con el lateral de una muela de corte.** Las muelas de corte abrasivo han sido previstas para esmerilar periférico, las fuerzas laterales aplicadas a estas muelas podrán ocasionar su desintegración.
5. **Utilice siempre bridas de muela que no estén dañadas, y del tamaño y forma correctos para la muela que ha seleccionado.** Las bridas de muela correctas sujetan la muela de tal manera que reducen la posibilidad de rotura de la muela. Las bridas para muelas de corte pueden ser diferentes de las bridas para muelas de esmerilar.
6. **No utilice muelas desgastadas de otras herramientas eléctricas más grandes.** Las muelas previstas para herramientas eléctricas más grandes no son apropiadas para la máxima velocidad de una herramienta más pequeña y pueden reventarla.

Advertencias de seguridad adicionales específicas para operaciones de corte abrasivo:

1. **No "atasque" la muela de corte o aplique presión excesiva. No intente hacer un corte de excesiva profundidad.** Si fatiga en exceso la muela, aumentará la carga y la susceptibilidad de retorcerse o estancarse en el corte y existirá la posibilidad de que se produzca un retroceso brusco o la rotura de la muela.
2. **No ponga su cuerpo en línea y por detrás de la muela giratoria.** Cuando la muela, en el punto de operación, se mueve apartándose de su cuerpo, un posible retroceso brusco puede impulsar la muela giratoria y la herramienta eléctrica directamente hacia usted.
3. **Cuando la muela esté estancándose o cuando quiera interrumpir un corte por cualquier razón, apague la herramienta eléctrica y sujétela sin moverla hasta que la muela se haya detenido completamente. No intente nunca sacar la muela de corte del corte estando la muela moviéndose porque podrá producirse un retroceso brusco.** Investigue y tome medidas correctivas para eliminar la causa del estancamiento de la muela.

4. **No recomience la operación de corte en la pieza de trabajo. Deje que la muela alcance plena velocidad y vuelva a entrar en el corte cuidadosamente.** Si vuelve a poner en marcha la herramienta eléctrica en la pieza de trabajo, la muela podrá estancarse, saltar o retroceder bruscamente.
5. **Sujete los paneles o cualquier pieza de trabajo demasiado grande para minimizar el riesgo de que la muela se estanque o retroceda bruscamente.** Las piezas de trabajo grandes tienden a combarse con su propio peso. Deberá poner apoyos debajo de la pieza de trabajo cerca de la línea de corte y cerca del borde de la pieza de trabajo en ambos lados de la muela.
6. **Extreme las precauciones cuando haga un "corte por hundimiento" en paredes u otras áreas ciegas.** La parte saliente de la muela podría cortar tuberías de gas o agua, cables eléctricos u objetos que pueden ocasionar un retroceso brusco.

Advertencias de seguridad específicas para operaciones de lijado:

1. **No utilice discos de papel de lijar de tamaño excesivamente grande. Siga las recomendaciones del fabricante cuando seleccione papel de lijar.** Un papel de lijar más grande que sobresalga del plato de lijar presentará un riesgo de laceración y podrá ocasionar un enredo o desgarrar del disco o un retroceso brusco.

Advertencias de seguridad específicas para operaciones de cepillado con alambres:

1. **Sea consciente de que el cepillo lanza hebras de alambre incluso durante una operación normal. No fatigue los alambres aplicando una carga excesiva al cepillo.** Las hebras de alambre pueden penetrar la ropa ligera y/o la piel fácilmente.
2. **Si se recomienda utilizar un protector para el cepillado con alambres, no permita ninguna interferencia del disco o el cepillo de alambres con el protector.** El disco o el cepillo de alambres podrán expandir su diámetro debido a la carga del trabajo y las fuerzas centrífugas.

Advertencias de seguridad adicionales:

1. **Cuando utilice muelas de esmerilar de centro hundido, asegúrese de utilizar solamente muelas reforzadas con fibra de vidrio.**
2. **NO UTILICE NUNCA muelas de tipo copa de piedra con esta esmeriladora.** Esta esmeriladora no ha sido diseñada para estos tipos de muelas y la utilización de un producto como ese podrá resultar en graves heridas personales.
3. **Tenga cuidado de no dañar el mandril, la brida (especialmente la cara de instalación) o la contratuerca.** Los daños en estas piezas podrán ocasionar la rotura de la muela.
4. **Asegúrese de que la muela no está haciendo contacto con la pieza de trabajo antes de activar el interruptor.**
5. **Antes de utilizar la herramienta en una pieza de trabajo definitiva, déjela funcionar durante un rato.** Observe por si hay vibración o bamboleo que pueda indicar una incorrecta instalación o muela mal equilibrada.

6. **Utilice la superficie especificada de la muela para realizar el esmerilado.**
7. **No deje la herramienta en marcha. Tenga en marcha la herramienta solamente cuando la tenga en la mano.**
8. **No toque la pieza de trabajo inmediatamente después de la operación; podrá estar muy caliente y quemarle la piel.**
9. **Observe las instrucciones del fabricante para montar y utilizar correctamente las muelas. Maneje y guarde con cuidado las muelas.**
10. **No utilice bujes de reducción o adaptadores separados para adaptar muelas abrasivas de orificio grande.**
11. **Utilice solamente las bridas especificadas para esta herramienta.**
12. **Para herramientas que han sido previstas para ser equipadas con muelas de orificio roscado, asegúrese de que la rosca de la muela sea lo suficientemente larga como para aceptar la longitud del mandril.**
13. **Compruebe que la pieza de trabajo está apoyada debidamente.**
14. **Tenga en cuenta que la muela continuará girando después de haber apagado la herramienta.**
15. **Si el lugar de trabajo es muy caluroso y húmedo, o si está muy contaminado con polvo conductor, utilice un disyuntor de cortocircuito (30 mA) para garantizar la seguridad del operario.**
16. **No utilice la herramienta con ningún material que contenga asbestos.**
17. **Cuando utilice muelas de corte, trabaje siempre con el protector de muela de recogida de polvo requerido por los reglamentos locales.**
18. **Los discos de cortar no deberán ser expuestos a ninguna presión lateral.**
19. **No utilice guantes de trabajo de tejido durante la operación.** Las fibras del tejido pueden entrar en la herramienta, lo que ocasionará la rotura de la herramienta.

GUARDE ESTAS INSTRUCCIONES.

⚠️ ADVERTENCIA: NO deje que la comodidad o familiaridad con el producto (a base de utilizarlo repetidamente) sustituya la estricta observancia de las normas de seguridad para el producto en cuestión. El MAL USO o el no seguir las normas de seguridad establecidas en este manual de instrucciones podrá ocasionar graves heridas personales.

DESCRIPCIÓN DEL FUNCIONAMIENTO

⚠PRECAUCIÓN: Asegúrese siempre de que la herramienta esté apagada y desenchufada antes de intentar realizar cualquier tipo de ajuste o comprobación en ella.

Bloqueo del eje

Presione el bloqueo del eje para impedir que el mandril gire cuando instale o desmonte accesorios.

► **Fig.1:** 1. Bloqueo del eje

AVISO: No accione nunca el bloqueo del eje cuando el mandril esté moviéndose. Podrá dañar la herramienta.

Accionamiento del interruptor

⚠PRECAUCIÓN: Antes de enchufar la herramienta, compruebe siempre para confirmar que el interruptor deslizable se acciona debidamente y que vuelve a la posición "apagada" cuando se presione la parte trasera del interruptor deslizable.

⚠PRECAUCIÓN: El interruptor puede ser bloqueado en la posición "encendida" para mayor comodidad del operario durante una utilización prolongada. Tenga precaución cuando bloquee la herramienta en la posición "encendida" y mantenga la herramienta firmemente empuñada.

Para poner en marcha la herramienta, deslice el interruptor deslizable hacia la posición "I" (encendida) empujando la parte trasera del interruptor deslizable. Para una operación continua, presione la parte delantera del interruptor deslizable para bloquearlo.

Para detener la herramienta, presione la parte trasera del interruptor deslizable, después deslícelo hacia la posición "O" (apagada).

► **Fig.2:** 1. Interruptor deslizable

Seguro de puesta en marcha involuntaria

La herramienta no se pondrá en marcha con el interruptor estando bloqueado aun cuando la herramienta esté enchufada.

Para cancelar el seguro de puesta en marcha involuntaria, vuelva a poner el interruptor de alimentación en la posición apagada.

NOTA: Espere más de un segundo antes de volver a poner en marcha la herramienta cuando esté funcionando el seguro de puesta en marcha involuntaria.

NOTA: Cuando la herramienta esté sobrecargada y la temperatura de la herramienta alcance cierto nivel, es posible que la herramienta se pare automáticamente. En esta situación, deje que la herramienta se enfríe antes de encenderla otra vez.

Función de inicio suave

La función de inicio suave reduce la reacción del arranque.

MONTAJE

⚠PRECAUCIÓN: Asegúrese siempre de que la herramienta esté apagada y desenchufada antes de realizar cualquier trabajo en la herramienta.

Instalación de la empuñadura lateral (mango)

⚠PRECAUCIÓN: Antes de la operación, asegúrese siempre de que la empuñadura lateral está instalada firmemente.

Rosque la empuñadura lateral firmemente en la posición de la herramienta mostrada en la figura.

► **Fig.3**

Instalación o desmontaje del protector de muela (Para muela de centro hundido, disco flap, disco flexible, cepillo circular de alambres / muela de corte abrasivo, muela de diamante)

⚠ADVERTENCIA: Cuando se utilice una muela de centro hundido, disco flap, disco flexible o cepillo circular de alambres, el protector de muela deberá estar instalado en la herramienta de tal forma que el lado cerrado del protector siempre quede orientado hacia el operario.

⚠ADVERTENCIA: Cuando utilice una muela de corte abrasivo / muela de diamante, asegúrese de utilizar solamente el protector de muela especial diseñado para usar con muelas de corte.

(En algunos países europeos, cuando utilice una muela de diamante, podrá utilizar el protector ordinario. Siga los reglamentos de su país.)

Monte el protector de muela con las protuberancias de la banda del protector de muela alineadas con las muescas de la caja de cojinetes. Después gire el protector de muela a un ángulo que pueda proteger al operario de acuerdo con el trabajo. Asegúrese de apretar el tornillo firmemente.

Para desmontar el protector de muela, siga el procedimiento de instalación a la inversa.

► **Fig.4:** 1. Protector de muela 2. Caja de cojinetes 3. Tornillo

Instalación o desmontaje de una muela de centro hundido o disco flap

Accesorios opcionales

⚠ADVERTENCIA: Cuando se utilice una muela de centro hundido o disco flap, el protector de muela deberá estar instalado en la herramienta de tal forma que el lado cerrado del protector siempre quede orientado hacia el operario.

⚠PRECAUCIÓN: Asegúrese de que la parte de montaje de la brida interior encaje en el diámetro interior de la muela de centro hundido / disco flap perfectamente. El montar la brida interior en el lado incorrecto puede resultar en una vibración peligrosa.

Monte la brida interior en el mandril.

Asegúrese de encajar la parte dentada de la brida interior en la parte recta de la parte inferior del mandril. Encaje la muela de centro hundido / disco flap en la brida interior y rosque la contratuerca en el mandril.

► **Fig.5:** 1. Contratuerca 2. Muela de centro hundido 3. Brida interior 4. Parte de montaje

Para apretar la contratuerca, presione el bloqueo del eje firmemente para que el mandril no pueda girar, después apriete firmemente hacia la derecha utilizando la llave de contratuerca.

► **Fig.6:** 1. Llave de contratuerca 2. Bloqueo del eje

Para desmontar la muela, siga el procedimiento de instalación a la inversa.

Súper brida

Accesorios opcionales

Solamente para herramientas con rosca de mandril de M14.

Los modelos con la letra F están equipados de manera estándar con una súper brida. Con esta pieza, para aflojar la contratuerca sólo se necesita un tercio del esfuerzo en comparación con la de tipo corriente.

Instalación o desmontaje de un disco flexible

Accesorios opcionales

⚠ADVERTENCIA: Utilice siempre el protector suministrado cuando haya un disco flexible en la herramienta. El disco puede desintegrarse durante la utilización y el protector ayuda a reducir las posibilidades de que se produzcan heridas personales.

► **Fig.7:** 1. Contratuerca 2. Disco flexible 3. Plato de respaldo 4. Brida interior

Siga las instrucciones para muela de centro hundido pero también utilice un plato de respaldo sobre la muela. Vea el orden de montaje en la página de accesorios de este manual.

Instalación o desmontaje de un disco abrasivo

Accesorios opcionales

► **Fig.8:** 1. Contratuerca para lijar 2. Disco abrasivo 3. Plato de caucho

1. Monte el plato de caucho en el mandril.
2. Encaje el disco en el plato de caucho y rosque la contratuerca para lijar en el mandril.
3. Sujete el mandril con el bloqueo del eje, y apriete la contratuerca para lijar hacia la derecha firmemente con la llave de contratuerca.

Para retirar el disco, siga el procedimiento de instalación a la inversa.

NOTA: Utilice accesorios para lijadora especificados en este manual. Estos deberán ser adquiridos aparte.

OPERACIÓN

⚠ADVERTENCIA: No deberá ser nunca necesario forzar la herramienta. El peso de la herramienta aplica la presión adecuada. El forzamiento y la presión excesiva pueden ocasionar una peligrosa rotura de la muela.

⚠ADVERTENCIA: Reemplace la muela SIEMPRE si deja caer la herramienta mientras esmerila.

⚠ADVERTENCIA: No lance ni golpee NUNCA el disco o muela de esmerilar contra la pieza de trabajo.

⚠ADVERTENCIA: Evite los rebotes y enganches de la muela, especialmente cuando trabaje en esquinas, bordes cortantes, etc. Esto puede ocasionar la pérdida del control y retrocesos bruscos.

⚠ADVERTENCIA: No utilice NUNCA esta herramienta con discos para cortar madera y otros discos de sierra. Los discos de ese tipo cuando se utilizan en una esmeriladora con frecuencia ocasionan retrocesos bruscos y pérdida del control que acarrearán heridas personales.

⚠PRECAUCIÓN: No encienda nunca la herramienta cuando esta está en contacto con la pieza de trabajo, podría ocasionar heridas al operario.

⚠PRECAUCIÓN: Póngase siempre gafas de protección o máscara facial durante la operación.

⚠PRECAUCIÓN: Después de la operación, apague siempre la herramienta y espere hasta que la muela se haya parado completamente antes de dejar la herramienta.

⚠PRECAUCIÓN: Sujete SIEMPRE la herramienta firmemente con una mano en la carcasa y la otra en la empuñadura lateral (mango).

Operación de esmerilar y lijar

► Fig.9

Encienda la herramienta y después aplique la muela o el disco a la pieza de trabajo.

En general, mantenga el borde de la muela o disco a un ángulo de unos 15° con la superficie de la pieza de trabajo.

Durante el periodo de uso inicial de una muela nueva, no trabaje con la esmeriladora en dirección hacia adelante porque podrá cortar la pieza de trabajo. Una vez que el borde de la muela se haya redondeado con el uso, se podrá trabajar con la muela en las direcciones hacia adelante y hacia atrás.

Operación con muela de corte abrasivo / muela de diamante

Accesorios opcionales

⚠ADVERTENCIA: Cuando utilice una muela de corte abrasivo / muela de diamante, asegúrese de utilizar solamente el protector de muela especial diseñado para usar con muelas de corte.

(En algunos países europeos, cuando utilice una muela de diamante, podrá utilizar el protector ordinario. Siga los reglamentos de su país.)

⚠ADVERTENCIA: No utilice NUNCA una muela de corte para esmerilar lateralmente.

⚠ADVERTENCIA: No “atasque” la muela o aplique presión excesiva. No intente hacer un corte de excesiva profundidad. Si fatiga en exceso la muela aumentará la carga y la susceptibilidad de retorcer o doblar la muela en el corte y la posibilidad de que se produzca un retroceso brusco, rotura de la muela y recalentamiento del motor.

⚠ADVERTENCIA: No comience la operación de corte en la pieza de trabajo. Deje que la muela alcance plena velocidad y entre con cuidado en el corte moviendo la herramienta hacia adelante sobre la superficie de la pieza de trabajo. Si pone en marcha la herramienta eléctrica en la pieza de trabajo, la muela podrá estancarse, saltar o retroceder bruscamente.

⚠ADVERTENCIA: Durante las operaciones de corte, no cambie nunca el ángulo de la muela. La aplicación de presión lateral en la muela de corte (al igual que en el esmerilado) hará que la muela se agriete y se rompa, ocasionando graves heridas personales.

⚠ADVERTENCIA: Una muela de diamante deberá ser utilizada perpendicularmente al material que se esté cortando.

► Fig.10: 1. Contratuerca 2. Muela de corte abrasivo / muela de diamante 3. Brida interior 4. Protector de muela para muela de corte abrasivo / muela de diamante

En cuanto a la instalación, siga las instrucciones para la muela de centro hundido.

La dirección para montar la contratuerca y la brida interior varía según el tipo y grosor de la muela.

Consulte las figuras siguientes.

Cuando se instala la muela de corte abrasivo:

► Fig.11: 1. Contratuerca 2. Muela de corte abrasivo (más fino de 4 mm) 3. Muela de corte abrasivo (de 4 mm o más grueso) 4. Brida interior

Cuando se instala la muela de diamante:

► Fig.12: 1. Contratuerca 2. Muela de diamante (más fino de 4 mm) 3. Muela de diamante (de 4 mm o más grueso) 4. Brida interior

Operación con cepillo de alambres en copa

Accesorios opcionales

⚠PRECAUCIÓN: Compruebe la operación del cepillo haciendo funcionar la herramienta sin carga, asegurándose de que no haya nadie enfrente ni en línea con el cepillo.

⚠PRECAUCIÓN: No utilice un cepillo que esté dañado o desequilibrado. La utilización de un cepillo dañado podrá aumentar la posibilidad de heridas causadas por el contacto con alambres rotos del cepillo.

► Fig.13: 1. Cepillo de alambres en copa

Desenchufe la herramienta y póngala al revés para permitir un acceso fácil al mandril. Quite cualquier accesorio que haya en el mandril. Rosque el cepillo de alambres en copa en el mandril y apriételo con la llave suministrada.

AVISO: Evite aplicar presión excesiva que haga doblar demasiado los alambres cuando utilice el cepillo. Podrá acarrear una rotura prematura.

Operación con cepillo circular de alambres

Accesorios opcionales

⚠PRECAUCIÓN: Compruebe la operación del cepillo circular de alambres haciendo funcionar la herramienta sin carga, asegurándose de que no haya nadie enfrente ni en línea con el cepillo circular de alambres.

⚠PRECAUCIÓN: No utilice un cepillo circular de alambres que esté dañado o desequilibrado. La utilización de un cepillo circular de alambres dañado podrá aumentar la posibilidad de heridas causadas por el contacto con alambres rotos.

⚠PRECAUCIÓN: Utilice SIEMPRE el protector con cepillos circulares de alambres, asegurándose de que el diámetro del cepillo encaje dentro del protector. El cepillo puede desintegrarse durante la utilización y el protector ayuda a reducir las posibilidades de que se produzcan heridas personales.

► Fig.14: 1. Cepillo circular de alambres

Desenchufe la herramienta y póngala al revés para permitir un acceso fácil al mandril. Quite cualquier accesorio que haya en el mandril. Rosque el cepillo circular de alambres en el mandril y apriételo con las llaves.

AVISO: Evite aplicar presión excesiva que haga doblar demasiado los alambres cuando utilice el cepillo circular de alambres. Podrá acarrear una rotura prematura.

MANTENIMIENTO

⚠ PRECAUCIÓN: Asegúrese siempre de que la herramienta está apagada y desenchufada antes de intentar realizar la inspección o el mantenimiento.

AVISO: No utilice nunca gasolina, bencina, disolvente, alcohol o similares. Podría producir descoloración, deformación o grietas.

Limpieza de las aberturas de ventilación

La herramienta y sus aberturas de ventilación han de mantenerse limpias. Limpie las aberturas de ventilación de la herramienta regularmente o siempre que comiencen a estar obstruidas.

► **Fig.15:** 1. Abertura de salida de aire 2. Abertura de entrada de aire

Para mantener la SEGURIDAD y FIABILIDAD del producto, las reparaciones, y cualquier otra tarea de mantenimiento o ajuste deberán ser realizadas en centros de servicio o de fábrica autorizados por Makita, empleando siempre repuestos Makita.

ACCESORIOS OPCIONALES

⚠ PRECAUCIÓN: Estos accesorios o aditamentos están recomendados para su uso con la herramienta Makita especificada en este manual. El uso de cualquier otro accesorio o aditamento puede suponer un riesgo de heridas personales. Utilice el accesorio o aditamento solamente con la finalidad indicada para el mismo.

Si necesita cualquier ayuda para más detalles en relación con estos accesorios, pregunte al centro de servicio Makita local.

► Fig.16

-	Modelo de 115 mm	Modelo de 125 mm
1	Empuñadura de 36	
2	Protector de muela (para muela de esmerilar)	
3	Brida interior / Súper brida	
4	Muela de centro hundido / disco flap	
5	Contratuercas	
6	Plato de respaldo	
7	Disco flexible	
8	Plato de caucho de 100	Plato de caucho de 115
9	Disco abrasivo	
10	Contratuercas para lijar	
11	Cepillo circular de alambres	
12	Cepillo de alambres en copa	
13	Protector de muela (para muela de corte) *1	
14	Muela de corte abrasivo / muela de diamante	
-	Llave de contratuercas	

NOTA: *1 En algunos países europeos, cuando utilice una muela de diamante, podrá utilizar el protector ordinario en lugar del protector especial que cubre ambos lados de la muela. Siga los reglamentos de su país.

NOTA: Algunos elementos de la lista podrán estar incluidos en el paquete de la herramienta como accesorios estándar. Pueden variar de un país a otro.

ESPECIFICAÇÕES

Modelo:	9557HNR	9558HNR
Diâmetro da roda	115 mm	125 mm
Espessura máxima da roda	7,2 mm	
Rosca do eixo	M14 ou 5/8" (específico para o país)	
Velocidade nominal (n)	11.000 min ⁻¹	
Comprimento total	271 mm	
Peso líquido	2,0 kg	2,1 kg
Classe de segurança	□/II	

- Devido a um programa contínuo de pesquisa e desenvolvimento, estas especificações podem ser alteradas sem aviso prévio.
- As especificações podem variar de país para país.
- Peso de acordo com o Procedimento 01/2003 da EPTA (European Power Tool Association)

Utilização a que se destina

A ferramenta serve para esmerilar, lixar e cortar materiais em metal e pedra sem utilizar água.

Alimentação

A ferramenta só deve ser ligada a uma fonte de alimentação com a mesma tensão da indicada na placa de características, e só funciona com alimentação de corrente alterna (CA) monofásica. Tem um sistema de isolamento duplo e pode, por isso, utilizar tomadas sem ligação à terra.

Ruído

A característica do nível de ruído A determinado de acordo com a EN60745:

Nível de pressão acústica (L_{pA}): 86 dB (A)

Nível de potência acústica (L_{WA}): 97 dB (A)

Variabilidade (K): 3 dB (A)

AVISO: Utilize protetores auriculares.

Vibração

Valor total da vibração (soma vetorial tri-axial) determinado de acordo com a EN60745:

Modelo 9557HNR

Modo de trabalho: esmerilagem de superfície

Emissão de vibração ($a_{h,AG}$): 7,5 m/s²

Variabilidade (K): 1,5 m/s²

Modo de trabalho: lixagem de disco

Emissão de vibração ($a_{h,DS}$): 2,5 m/s² ou menos

Variabilidade (K): 1,5 m/s²

Modelo 9558HNR

Modo de trabalho: esmerilagem de superfície

Emissão de vibração ($a_{h,AG}$): 8,5 m/s²

Variabilidade (K): 1,5 m/s²

Modo de trabalho: lixagem de disco

Emissão de vibração ($a_{h,DS}$): 2,5 m/s² ou menos

Variabilidade (K): 1,5 m/s²

NOTA: O valor da emissão de vibração indicado foi medido de acordo com o método de teste padrão e pode ser utilizado para comparar duas ferramentas.

NOTA: O valor da emissão de vibração indicado pode também ser utilizado na avaliação preliminar da exposição.

AVISO: A emissão de vibração durante a utilização real da ferramenta elétrica pode diferir do valor de emissão indicado, dependendo das formas como a ferramenta é utilizada.

AVISO: Certifique-se de identificar as medidas de segurança para proteção do operador que sejam baseadas em uma estimativa de exposição em condições reais de utilização (considerando todas as partes do ciclo de operação, tal como quando a ferramenta está desligada e quando está a funcionar em marcha lenta além do tempo de acionamento).

AVISO: O valor de emissão de vibração declarado é utilizado para aplicações principais da ferramenta elétrica. No entanto, se a ferramenta elétrica for utilizada para outras aplicações, o valor da emissão da vibração pode ser diferente.

Declaração de conformidade CE

Só para países Europeus

A Makita declara que a(s) seguinte(s) máquina(s):

Designação da ferramenta: Esmerilhadeira Angular

N.º / Tipo de modelo: 9557HNR, 9558HNR

Em conformidade com as seguintes diretivas europeias: 2006/42/CE

São fabricadas de acordo com as seguintes normas ou documentos normalizados: EN60745

O ficheiro técnico, que está em conformidade com a 2006/42/CE, está disponível em:

Makita, Jan-Baptist Vinkstraat 2, 3070, Bélgica

4.6.2015

Yasushi Fukaya

Yasushi Fukaya

Diretor

Makita, Jan-Baptist Vinkstraat 2, 3070, Bélgica

Avisos gerais de segurança para ferramentas elétricas

⚠ AVISO: Leia todos os avisos de segurança e todas as instruções. O não cumprimento de todos os avisos e instruções pode originar choque elétrico, incêndio e/ou ferimentos graves.

Guarde todos os avisos e instruções para futuras referências.

O termo “ferramenta elétrica” nos avisos refere-se às ferramentas elétricas ligadas à corrente elétrica (com cabo) ou às ferramentas elétricas operadas por meio de bateria (sem cabo).

Avisos de segurança para a esmeriladora

Avisos de segurança comuns para operações de esmerilagem, lixagem, escovagem com escova de arame ou corte abrasivo:

1. **Esta ferramenta elétrica foi concebida para funcionar como ferramenta de esmerilar, lixar, escovar por meio de escova de arame ou corte. Leia todos os avisos de segurança, instruções, ilustrações e especificações fornecidos com esta ferramenta.** O não seguimento de todas as instruções que se seguem pode resultar em choque elétrico, incêndio e/ou ferimentos graves.
2. **Não é recomendável utilizar esta ferramenta elétrica para efetuar operações de polimento.** As operações diferentes daquelas para as quais a ferramenta foi projetada podem criar situações perigosas e provocar ferimentos ao operador.
3. **Não utilize acessórios que não tenham sido especificamente projetados e recomendados pelo fabricante da ferramenta.** O facto de poder instalar o acessório na ferramenta elétrica não garante um funcionamento com segurança.
4. **A velocidade nominal do acessório deve ser pelo menos igual à velocidade máxima indicada na ferramenta elétrica.** Os acessórios que funcionam em velocidade mais alta do que a velocidade nominal podem partir e estilhar.
5. **O diâmetro externo e a espessura do acessório devem estar dentro da capacidade nominal da ferramenta elétrica.** Não é possível resguardar ou controlar adequadamente os acessórios de tamanho incorreto.
6. **A montagem roscada dos acessórios tem de corresponder à rosca do eixo da esmeriladora. Em relação aos acessórios montados por flanges, o orifício do veio do acessório deve encaixar no diâmetro guia da flange.** Os acessórios que não correspondem ao hardware de instalação da ferramenta elétrica ficam desequilibrados, vibram excessivamente e podem provocar perda de controlo.
7. **Não utilize acessórios danificados. Antes de cada utilização, inspecione o acessório, tal como as rodas abrasivas, para ver se tem falhas ou rachas, a base protetora para ver se tem falhas, rasgões ou desgaste excessivo e a**

escova de arame para ver se tem arames soltos ou rachados. Se a ferramenta elétrica ou o acessório cair, verifique se há danos ou instale um acessório em boas condições. Após inspecionar e instalar um acessório, certifique-se de que os espetadores bem como você mesmo estão afastados do nível do acessório rotativo, e utilize a ferramenta elétrica à velocidade máxima em vazio durante um minuto. Geralmente, os acessórios danificados partem-se durante este ensaio.

8. **Utilize equipamento de proteção pessoal. Dependendo da aplicação, utilize um protetor facial, óculos de segurança ou de proteção. Conforme adequado, utilize uma máscara contra o pó, protetores auriculares, luvas e avental capazes de resguardar contra pequenos estilhaços ou abrasivos da peça de trabalho.** Os protetores oculares devem ter capacidade para resguardar contra fragmentos volantes gerados por diversas operações. A máscara contra o pó ou de respiração deve ter capacidade de filtrar partículas geradas pela operação. A exposição prolongada a ruídos de alta intensidade pode provocar perda de audição.
9. **Mantenha os espetadores a uma distância segura da área de trabalho. Todas as pessoas que entram na área de trabalho devem utilizar equipamento de proteção pessoal.** Os estilhaços da peça de trabalho ou de um acessório partido podem ser arremessados e provocar ferimentos além da área imediata de operação.
10. **Segure a ferramenta apenas pelas partes isoladas quando executar uma operação em que o acessório de corte possa tocar em fios ocultos ou no seu próprio cabo.** O contacto do acessório de corte com um fio com corrente pode levar a corrente às peças metálicas expostas da ferramenta elétrica e pode provocar um choque elétrico no operador.
11. **Posicione o cabo afastado do acessório rotativo.** Se perder o controlo, o cabo pode ser cortado ou ficar preso e a sua mão ou braço pode ser puxado para o acessório em rotação.
12. **Nunca pouse a ferramenta elétrica antes de o acessório parar completamente.** O acessório rotativo pode enganchar na superfície e descontrolar a ferramenta.
13. **Não utilize a ferramenta elétrica enquanto a carrega ao seu lado.** O contacto accidental com o acessório rotativo pode prender as suas roupas, puxando o acessório na direção do seu corpo.
14. **Limpe regularmente os orifícios de ventilação da ferramenta elétrica.** A ventoinha do motor aspira o pó para dentro da caixa e a acumulação excessiva de metal pulverizado pode provocar perigos elétricos.
15. **Não utilize a ferramenta elétrica próximo de materiais inflamáveis.** As faíscas podem incendiar estes materiais.
16. **Não utilize acessórios que requerem refrigerantes líquidos.** A utilização de água ou outros refrigerantes líquidos pode resultar em choque ou eletrocussão.

Avisos sobre recuos e outras relacionadas

O recuo é uma reação repentina a uma roda rotativa, uma base protetora, uma escova ou qualquer outro acessório preso ou emperrado. O bloqueio ou obstáculo provoca a paragem imediata do acessório rotativo que, por sua vez, faz com que a ferramenta elétrica descontrolada seja forçada a ir na direção oposta à da rotação do acessório, no ponto onde ficou presa.

Se a roda abrasiva ficar presa ou enroscada na peça de trabalho, por exemplo, a borda da roda que está a entrar no ponto onde prendeu, pode entrar ainda mais fundo na superfície do material fazendo com que a roda salte ou provoque um recuo. A roda pode saltar na direção do operador ou na direção oposta, dependendo do sentido do movimento da roda no ponto em que ficou presa. As rodas abrasivas também podem partir nessas condições.

O recuo é o resultado da utilização imprópria da ferramenta elétrica e/ou das condições ou procedimentos de funcionamento incorretos e pode ser evitado tomando-se as medidas de precaução adequadas, como indicado abaixo.

1. **Segure firmemente a ferramenta elétrica e posicione o seu corpo e braço de tal forma que lhe permitam resistir às forças do recuo. Utilize sempre o punho auxiliar, se fornecido, para um controlo máximo do recuo ou da reação de binário durante o arranque.** O operador poderá controlar as reações de binário ou as forças do recuo se tomar as precauções necessárias.
2. **Nunca coloque as mãos perto do acessório rotativo.** O acessório pode recuar sobre a sua mão.
3. **Não posicione o seu corpo na área em que a ferramenta elétrica será lançada, caso ocorra um recuo.** O recuo lança a ferramenta na direção oposta ao movimento da roda no ponto onde prende.
4. **Tenha cuidado quando trabalhar em cantos, arestas cortantes, etc. Evite balançar e prender o acessório.** Os cantos, as arestas cortantes ou as batidas tendem a prender o acessório rotativo e causar perda de controlo ou recuo.
5. **Não instale uma corrente de serra, uma lâmina para esculpir madeira nem uma lâmina de serra dentada.** Essas lâminas criam recuos frequentes e perda de controlo.

Avisos de segurança específicas para operações de esmerilar e corte abrasivo:

1. **Utilize apenas os tipos de rodas recomendadas para a sua ferramenta elétrica e o resguardo específico designado para a roda selecionada.** As rodas incompatíveis com a ferramenta elétrica são impossíveis de resguardar adequadamente e não são seguras.
2. **A superfície de esmerilação das rodas com centro rebaixado deve estar montada abaixo do plano do bordo de resguardo.** Uma roda montada incorretamente que sobressai através do plano do bordo de resguardo não pode ser devidamente protegida.
3. **O resguardo deve ser instalado firmemente na ferramenta elétrica e posicionado para máxima segurança, de forma que o mínimo da roda fique exposta na direção do operador.** O resguardo ajuda a proteger o operador contra fragmentos partidos da roda, contacto accidental com a roda e faíscas que podem incendiar as roupas.

4. **As rodas devem ser utilizadas apenas para as aplicações recomendadas. Por exemplo: não esmerilar com a lateral da roda de corte.** Como as rodas de corte abrasivas foram concebidas para a esmerilação periférica, as forças laterais aplicadas a estas rodas pode fazer com que estilhacem.
5. **Utilize sempre flanges da roda em boas condições, e que sejam do tamanho e formato corretos para a roda selecionada.** As flanges apropriadas suportam a roda reduzindo, assim, a possibilidade de quebra da roda. As flanges para as rodas de corte podem ser diferentes das flanges para as rodas de esmerilagem.
6. **Não utilize rodas desgastadas de ferramentas elétricas maiores.** As rodas projetadas para ferramentas elétricas maiores não são apropriadas para a velocidade mais elevada de uma ferramenta menor e podem reventar.

Avisos de segurança adicionais específicos para as operações de corte abrasivo:

1. **Não “encrave” a roda de corte nem aplique pressão excessiva. Não tente efetuar um corte demasiadamente profundo.** Sujeitar a roda a esforço excessivo aumenta a carga e a suscetibilidade de torção ou emperramento a roda dentro do corte e a possibilidade de recuo ou quebra da roda.
2. **Não posicione o corpo em linha nem atrás da roda rotativa.** Quando, durante a operação, a roda se move para longe de si, o possível recuo pode empurrar a roda em rotação e a ferramenta elétrica diretamente contra si.
3. **Se a roda ficar presa ou quando interromper o corte por qualquer motivo, desligue a ferramenta elétrica e segure-a parada até que a roda pare completamente. Nunca tente retirar a roda de dentro do corte com a roda em movimento, caso contrário, pode ocorrer um recuo.** Verifique e tome as medidas corretivas para eliminar a causa do emperramento da roda.
4. **Não reinicie a operação de corte na peça de trabalho. Aguarde até que a roda atinja a velocidade máxima e volte a colocá-la novamente e cuidadosamente no corte.** A roda pode emperrar, subir ou originar um recuo se ligar a ferramenta elétrica na peça de trabalho.
5. **Suporte os painéis ou as peças de trabalho muito grandes para minimizar o risco da roda prender e originar recuo.** As peças de trabalho grandes tendem a ceder sob o próprio peso. Os suportes têm de ser colocados debaixo da peça de trabalho, perto da linha de corte e da borda da peça de trabalho, nos dois lados da roda.
6. **Tenha cuidado especialmente quando fizer um corte de perfuração em paredes existentes ou outras zonas invisíveis.** A roda exposta pode cortar canos de gás ou de água, fios elétricos ou outros objetos que podem originar um recuo.

Avisos de segurança específicos para as operações de lixamento:

1. **Não utilize uma lixa de papel grande demais. Siga as recomendações do fabricante quando escolher a lixa de papel.** As lixas de papel maiores, que se estendem além da base de lixamento, apresentam perigo de laceração e podem prender, rasgar o disco ou provocar recuo.

Avisos de segurança específicos para as operações com a escova de arame:

1. **Lembre-se que a escova lança filamentos de metal, mesmo durante uma operação normal. Não sujeite os filamentos de metal a esforço excessivo aplicando uma carga excessiva na escova.** Os filamentos de metal podem penetrar facilmente nas roupas finas e/ou na pele.
2. **Se for recomendada a utilização de um resguardo para operação com a escova de arame, não permita quaisquer interferências da roda ou da escova metálicas com o resguardo.** A roda ou a escova metálicas podem expandir em diâmetro devido à carga de trabalho e às forças centrífugas.

Avisos de segurança adicionais:

1. **Quando utilizar rodas de esmerilar com centro rebaixado, utilize apenas rodas reforçadas com fibra de vidro.**
2. **NUNCA UTILIZE rodas do tipo copo de pedra com esta esmeriladora.** A esmeriladora não foi concebida para esses tipos de rodas e a utilização deste produto pode resultar em ferimentos pessoais graves.
3. **Tenha cuidado para não danificar o eixo, a flange (especialmente a superfície de instalação) nem a porca de bloqueio.** Os danos nestas peças pode resultar em quebra da roda.
4. **Antes de ligar o interruptor, certifique-se de que a roda não está em contacto com a peça de trabalho.**
5. **Antes de utilizar a ferramenta numa peça de trabalho, deixe-a funcionar por alguns instantes.** Verifique se há vibrações ou movimentos irregulares que possam indicar má instalação ou desequilíbrio da roda.
6. **Utilize a superfície específica da roda para esmerilar.**
7. **Não deixe a ferramenta a funcionar. Opere a ferramenta apenas quando estiver a segurá-la na mão.**
8. **Não toque na peça de trabalho imediatamente após a operação.** Pode estar extremamente quente e provocar queimaduras na sua pele.
9. **Tenha em conta as instruções do fabricante para a montagem e utilização corretas das rodas.** Manuseie e armazene as rodas com cuidado.
10. **Não utilize buchas de redução ou adaptadores separados para adaptar rodas abrasivas de orifício grande.**
11. **Utilize apenas as flanges especificadas para esta ferramenta.**
12. **Para ferramentas destinadas a serem equipadas com rodas de orifício roscado, certifique-se de que a rosca na roda tem tamanho suficiente para aceitar o comprimento do eixo.**
13. **Verifique se a peça de trabalho está corretamente suportada.**
14. **Preste atenção, pois a roda continua a rodar depois de desligar a ferramenta.**
15. **Se o local de trabalho for extremamente quente e húmido, ou muito poluído por pó condutor, utilize um disjuntor (30 mA) para assegurar a segurança do operador.**

16. **Não utilize a ferramenta em nenhum material que contenha amianto.**
17. **Quando utilizar a roda de corte, trabalhe sempre com o resguardo da roda para recolha do pó como exigido pelas regulações nacionais.**
18. **Os discos de corte não podem ser sujeitos a pressão lateral.**
19. **Não utilize luvas de trabalho de pano durante a operação.** As fibras do tecido podem entrar na ferramenta e provocar a quebra da ferramenta.

GUARDE ESTAS INSTRUÇÕES.

⚠AVISO: NÃO permita que o conforto ou familiaridade com o produto (adquirido com o uso repetido) substitua o cumprimento estrito das regras de segurança da ferramenta. A MÁ INTERPRETAÇÃO ou o não seguimento das regras de segurança estabelecidas neste manual de instruções pode provocar ferimentos pessoais graves.

DESCRIÇÃO FUNCIONAL

⚠PRECAUÇÃO: Certifique-se sempre de que a ferramenta está desligada e com a ficha retirada da tomada, antes de proceder a afinações ou de verificar o funcionamento da respetiva ferramenta.

Bloqueio do eixo

Pressione o bloqueio do eixo para impedir a rotação do eixo quando instalar ou remover acessórios.

► Fig.1: 1. Bloqueio do eixo

OBSERVAÇÃO: Nunca acione o bloqueio do eixo quando o eixo estiver em movimento. A ferramenta pode ficar danificada.

Ação do interruptor

⚠PRECAUÇÃO: Antes de ligar a ferramenta à corrente elétrica, verifique sempre se o interruptor deslizante funciona corretamente e regressa à posição de desligado quando se carrega na parte de trás do interruptor deslizante.

⚠PRECAUÇÃO: O interruptor pode ser bloqueado na posição de ligado para maior conforto do operador durante a utilização prolongada. Tenha cuidado ao bloquear a ferramenta na posição de ligada e segure-a com firmeza.

Para ligar a ferramenta, deslize o interruptor deslizante para a posição "I" (ligado) carregando na parte de trás do interruptor deslizante. Para operação contínua, carregue na parte da frente do interruptor deslizante para o bloquear.

Para parar a ferramenta, carregue na parte de trás do interruptor deslizante e, depois, delize-o para a posição "O" (desligado).

► Fig.2: 1. Interruptor deslizante

À prova de reinício acidental

A ferramenta não começa a funcionar com o interruptor bloqueado, mesmo quando a ferramenta está ligada. Para cancelar o dispositivo à prova de reinício acidental, volte a colocar o interruptor de alimentação na posição de desligado.

NOTA: Aguarde mais de um segundo antes de reiniciar a ferramenta durante a realização da prova de funcionamento.

NOTA: Quando a ferramenta está sobrecarregada e a temperatura da mesma atinge um determinado nível, a ferramenta pode parar automaticamente. Nesta situação, deixe-a arrefecer antes de voltar a ligar a ferramenta.

Funcionalidade de arranque suave

A funcionalidade de arranque suave reduz a reação de arranque.

MONTAGEM

⚠PRECAUÇÃO: Certifique-se sempre de que a ferramenta está desligada e com a ficha retirada da tomada antes de executar quaisquer trabalhos na ferramenta.

Instalação do punho lateral (pega)

⚠PRECAUÇÃO: Certifique-se sempre de que o punho lateral está instalado em segurança antes da operação.

Aparafuse o punho lateral firmemente na posição da ferramenta indicada na figura.

► Fig.3

Instalar ou retirar o resguardo da roda (para a roda com centro rebaixado, disco de aba, roda flexível, escova de arame tipo roda / roda de corte abrasiva, roda diamantada)

⚠AVISO: Quando utilizar uma roda com centro rebaixado, disco de aba, roda flexível ou escova de arame tipo roda, o resguardo da roda deve ser colocado na ferramenta para que o lado fechado do resguardo aponte sempre em direção ao operador.

⚠AVISO: Quando utilizar uma roda de corte abrasiva / roda diamantada, certifique-se que utiliza apenas o resguardo da roda especialmente projetada para utilização com as rodas de corte.

(Em alguns países europeus, pode-se utilizar um resguardo comum quando se utilizam rodas diamantadas. Siga os regulamentos do seu país).

Monte o resguardo da roda com as protuberâncias na banda do resguardo da roda alinhadas com os entalhes na caixa dos rolamentos. Depois, rode o resguardo da roda até um ângulo que possa proteger o operador de acordo com o trabalho. Certifique-se de que aperta o parafuso firmemente.

Para retirar o resguardo da roda, siga inversamente o processo de instalação.

► **Fig.4:** 1. Resguardo da roda 2. Caixa de rolamentos 3. Parafuso

Instalar ou remover a roda com centro rebaixado ou o disco de aba

Acessório opcional

⚠AVISO: Quando utilizar uma roda com centro rebaixado ou um disco de aba, o resguardo da roda tem de estar instalado na ferramenta para que o lado fechado do resguardo aponte sempre em direção ao operador.

⚠PRECAUÇÃO: Certifique-se de que a peça de montagem da flange interior encaixa perfeitamente dentro do diâmetro interno da roda com centro rebaixado / disco de aba. A montagem da flange interior no lado errado pode resultar em vibração perigosa.

Monte a flange interior no eixo.

Certifique-se de que instala a peça dentada da flange interior na peça reta no fundo do eixo.

Instale a roda com centro rebaixado / disco de aba na flange interior e aparafuse a porca de bloqueio no eixo.

► **Fig.5:** 1. Porca de bloqueio 2. Roda com centro rebaixado 3. Flange interior 4. Peça de montagem

Para apertar a porca de bloqueio, prima o bloqueio do eixo firmemente para que o eixo não possa girar, depois utilize a chave para porcas de bloqueio e aperte com segurança para a direita.

► **Fig.6:** 1. Chave para porcas de bloqueio 2. Bloqueio do eixo

Para retirar a roda, siga inversamente o processo de instalação.

Super flange

Acessório opcional

Apenas para ferramentas com rosca do eixo M14.

Os modelos com a letra F estão equipados de fábrica com uma super flange. Apenas é necessário 1/3 do esforço para desapertar a porca de bloqueio em comparação com o tipo convencional.

Instalar ou retirar a roda flexível

Acessório opcional

⚠AVISO: Utilize sempre o resguardo fornecido quando a roda flexível estiver na ferramenta. A roda pode partir-se durante a utilização e o resguardo ajuda a reduzir os riscos de ferimentos pessoais.

► **Fig.7:** 1. Porca de bloqueio 2. Roda flexível 3. Almofada de apoio 4. Flange interior

Siga as instruções referentes à roda com centro rebaixado, mas utilize, igualmente, uma almofada de apoio sobre a roda. Veja a ordem de montagem na página dos acessórios neste manual.

Instalar ou retirar o disco abrasivo

Acessório opcional

► **Fig.8:** 1. Porca de bloqueio de lixagem 2. Disco abrasivo 3. Almofada de borracha

1. Instale a almofada de borracha sobre o eixo.
2. Instale o disco sobre a almofada de borracha e aperte a porca de bloqueio de lixagem no eixo.
3. Mantenha o eixo firme com o bloqueio do eixo e aperte a porca de bloqueio de lixagem em segurança para a direita com a chave para porcas de bloqueio.

Para retirar o disco siga inversamente o procedimento de instalação.

NOTA: Utilize os acessórios de lixadora especificados neste manual. Estes devem ser adquiridos separadamente.

OPERAÇÃO

AVISO: Nunca deve ser necessário forçar a ferramenta. O peso da ferramenta aplica a pressão adequada. Forçar e pressionar excessivamente pode provocar a quebra perigosa da roda.

AVISO: Substitua SEMPRE a roda se a ferramenta cair enquanto estiver a esmerilar.

AVISO: NUNCA provoque golpes violentos nem bata com o disco de esmerilar ou com a roda no trabalho.

AVISO: Evite bater ou dar pancadas na roda, especialmente quando trabalhar nos cantos, extremidades afiadas, etc. Isto pode provocar perda de controlo e recuos.

AVISO: NUNCA utilize a ferramenta com lâminas para corte de madeira e outras lâminas da serra. Essas lâminas quando utilizadas numa esmeriladora ressaltam frequentemente e provocam perda de controlo originando ferimentos pessoais.

PRECAUÇÃO: Nunca ligue a ferramenta quando estiver em contacto com a peça de trabalho, pois pode ferir o operador.

PRECAUÇÃO: Use sempre óculos de segurança ou um protetor facial durante a operação.

PRECAUÇÃO: Depois da operação, desligue sempre a ferramenta e espere até que a roda esteja completamente parado antes de pousar a ferramenta.

PRECAUÇÃO: Agarre SEMPRE na ferramenta firmemente com uma mão no corpo e a outra na punho lateral (pega).

Operação de esmerilagem e lixagem

► **Fig.9**

Ligue a ferramenta e, em seguida, aplique a roda ou o disco na peça de trabalho.

Em geral, mantenha a extremidade da roda ou disco num ângulo de cerca de 15° relativamente à superfície da peça de trabalho.

Durante o período de arranque com uma roda nova, não utilize a esmeriladora para a frente ou pode cortar a peça de trabalho. Depois de a extremidade da roda estar arredondada pelo uso, pode trabalhar com a roda para a frente ou para trás.

Operação com uma roda de corte abrasiva / roda diamantada

Acessório opcional

AVISO: Quando utilizar uma roda de corte abrasiva / roda diamantada, certifique-se que utiliza apenas o resguardo da roda especialmente projetada para utilização com as rodas de corte.

(Em alguns países europeus, pode-se utilizar um resguardo comum quando se utilizam rodas diamantadas. Siga os regulamentos do seu país).

AVISO: NUNCA utilize rodas de corte para a esmerilagem lateral.

AVISO: Não “enclave” a roda nem aplique pressão excessiva. Não tente efetuar um corte demasiadamente profundo. Sujeitar a roda a esforço excessivo aumenta a carga e a suscetibilidade de torção ou prisão da roda no corte e a possibilidade de ocorrência de recuo, rotura da roda e sobreaquecimento do motor.

AVISO: Não inicie a operação de corte na peça de trabalho. Aguarde até que a roda atinja a velocidade máxima e coloque-a no corte cuidadosamente, movendo a ferramenta para a frente sobre a superfície da peça de trabalho. A roda pode prender, saltar ou ressaltar se ligar a ferramenta elétrica na peça de trabalho.

AVISO: Nunca altere o ângulo da roda durante as operações de corte. Exercer pressão lateral na roda de corte (como na esmerilagem) pode provocar fissuras e rotura, provocando ferimentos graves.

AVISO: Uma roda diamantada deve ser utilizada perpendicularmente ao material a ser cortado.

► **Fig.10:** 1. Porca de bloqueio 2. Roda de corte abrasiva / roda diamantada 3. Flange interior 4. Resguardo da roda para rodas de corte abrasivas / rodas diamantadas

Quanto à instalação, siga as instruções para a roda com centro rebaixado.

A direção de montagem da porca de bloqueio e da flange interior varia de acordo com o tipo e a espessura da roda.

Consulte as figuras seguintes.

Quando instalar a roda de corte abrasiva:

- **Fig.11:** 1. Porca de bloqueio 2. Roda de corte abrasiva (espessura inferior a 4 mm) 3. Roda de corte abrasiva (espessura de 4 mm ou mais) 4. Flange interior

Quando instalar a roda diamantada:

- **Fig.12:** 1. Porca de bloqueio 2. Roda diamantada (espessura inferior a 4 mm) 3. Roda diamantada (espessura de 4 mm ou mais) 4. Flange interior

Operação com escova de arame tipo copo

Acessório opcional

⚠PRECAUÇÃO: Verifique a operação da escova operando a ferramenta em vazio, certificando-se de que ninguém está à frente ou em linha com a escova.

⚠PRECAUÇÃO: Não utilize uma escova danificada nem desequilibrada. A utilização de uma escova danificada pode aumentar o risco de ferimentos decorrentes do contacto com arames da escova partidos.

- **Fig.13:** 1. Escova de arame tipo copo

Retire a ferramenta da tomada e vire-a ao contrário para ter um acesso fácil ao eixo.

Retire quaisquer acessórios do eixo. Enrosque a escova de arame tipo copo no eixo e aperte com a chave fornecida.

OBSERVAÇÃO: Quando utilizar a escova evite aplicar uma pressão excessiva que pode provocar a dobragem excessiva dos arames. Pode dar origem a quebra prematura.

Operação com escova de arame tipo roda

Acessório opcional

⚠PRECAUÇÃO: Verifique a operação da escova de arame tipo roda operando a ferramenta em vazio, certificando-se de que ninguém está à frente ou em linha com a escova de arame tipo roda.

⚠PRECAUÇÃO: Não utilize uma escova de arame tipo roda danificada nem desequilibrada. A utilização de uma escova de arame tipo roda danificada pode aumentar o risco de ferimentos decorrentes do contacto com arames partidos.

⚠PRECAUÇÃO: Utilize SEMPRE o resguardo com as escovas de arame tipo roda, garantindo que o diâmetro da roda encaixa dentro do resguardo. A roda pode partir-se durante a utilização e o resguardo ajuda a reduzir os riscos de ferimentos pessoais.

- **Fig.14:** 1. Escova de arame tipo roda

Retire a ferramenta da tomada e vire-a ao contrário para ter um acesso fácil ao eixo.

Retire quaisquer acessórios do eixo. Enrosque a escova de arame tipo roda no eixo e aperte com as chaves.

OBSERVAÇÃO: Quando utilizar a escova de arame tipo roda, evite aplicar uma pressão excessiva que pode provocar a dobragem excessiva dos arames. Pode dar origem a quebra prematura.

MANUTENÇÃO

⚠PRECAUÇÃO: Certifique-se sempre de que a ferramenta está desligada e com a ficha retirada da tomada antes de tentar proceder à inspeção ou à manutenção.

OBSERVAÇÃO: Nunca utilize gasolina, benzina, diluente, álcool ou produtos semelhantes. Pode ocorrer a descoloração, deformação ou rachaduras.

Limpeza do ventilador de ar

A ferramenta e os respetivos ventiladores de ar têm de ser mantidos limpos. Limpe regularmente os ventiladores de ar da ferramenta ou sempre que os ventiladores comecem a ficar obstruídos.

- **Fig.15:** 1. Ventilador de exaustão 2. Ventilador de inalação

Para manter a SEGURANÇA e a FIABILIDADE do produto, as reparações e qualquer outra manutenção ou ajuste devem ser levados a cabo pelos centros de assistência Makita autorizados ou pelos centros de assistência de fábrica, utilizando sempre peças de substituição Makita.

ACESSÓRIOS OPCIONAIS

⚠️ PRECAUÇÃO: Estes acessórios ou peças são recomendados para utilização com a ferramenta Makita especificada neste manual. A utilização de outros acessórios ou peças pode ser perigosa para as pessoas. Utilize apenas acessórios ou peças para os fins indicados.

Se necessitar de informações adicionais relativas a estes acessórios, solicite-as ao seu centro de assistência Makita.

► Fig.16

-	Modelo de 115 mm	Modelo de 125 mm
1	Punho 36	
2	Resguardo da roda (para roda de esmerilagem)	
3	Flange interior / Super flange	
4	Roda com centro rebaixado / Disco de aba	
5	Porca de bloqueio	
6	Almofada de apoio	
7	Roda flexível	
8	Almofada de borracha 100	Almofada de borracha 115
9	Disco abrasivo	
10	Porca de bloqueio de lixagem	
11	Escova de arame tipo roda	
12	Escova de arame tipo copo	
13	Resguardo da roda (para roda de corte) *1	
14	Roda de corte abrasiva / roda diamantada	
-	Chave para porcas de bloqueio	

NOTA: *1 Em alguns países europeus, pode-se utilizar um resguardo comum em vez de um resguardo especial que cobre ambos os lados da roda quando utilizar rodas diamantada. Siga os regulamentos do seu país.

NOTA: Alguns itens da lista podem estar incluídos na embalagem da ferramenta como acessórios padrão. Eles podem variar de país para país.

SPECIFIKATIONER

Model:	9557HNR	9558HNR
Skivediameter	115 mm	125 mm
Maks. skivetykkelse	7,2 mm	
Spindelgevind	M14 eller 5/8" (landespecifik)	
Nominel hastighed (n)	11.000 min ⁻¹	
Længde i alt	271 mm	
Nettovægt	2,0 kg	2,1 kg
Sikkerhedsklasse	□/II	

- På grund af vores kontinuerlige forsknings- og udviklingsprogrammer kan hosstående specifikationer blive ændret uden varsel.
- Specifikationer kan variere fra land til land.
- Vægt i henhold til EPTA-Procedure 01/2003

Tilsigtet anvendelse

Denne maskine er beregnet til afslibning, sandslibning og skæring i metal- og stenmaterialer uden anvendelse af vand.

Strømforsyning

Maskinen må kun tilsluttes en strømforsyning med samme spænding som angivet på typeskiltet og kan kun anvendes på enfaset vekselstrømforsyning. Den er dobbeltisoleret og kan derfor også tilsluttes netstik uden jordforbindelse.

Lyd

Det typiske A-vægtede støjniveau bestemt i overensstemmelse med EN60745:

Lydtryksniveau (L_{pA}): 86 dB (A)

Lydeffektniveau (L_{WA}): 97 dB (A)

Usikkerhed (K): 3 dB (A)

ADVARSEL: Bær høreværn.

Vibration

Vibrationens totalværdi (tre-aksial vektorsum) bestemt i overensstemmelse med EN60745:

Model 9557HNR

Arbejdstilstand: overfladeslibning

Vibrationsafgivelse ($a_{h,AG}$): 7,5 m/s²

Usikkerhed (K): 1,5 m/s²

Arbejdstilstand: disksandslibning

Vibrationsafgivelse ($a_{h,DS}$): 2,5 m/s² eller mindre

Usikkerhed (K): 1,5 m/s²

Model 9558HNR

Arbejdstilstand: overfladeslibning

Vibrationsafgivelse ($a_{h,AG}$): 8,5 m/s²

Usikkerhed (K): 1,5 m/s²

Arbejdstilstand: disksandslibning

Vibrationsafgivelse ($a_{h,DS}$): 2,5 m/s² eller mindre

Usikkerhed (K): 1,5 m/s²

BEMÆRK: Den angivne vibrationsemissionsværdier blev målt i overensstemmelse med standardtestmetoden og kan anvendes til at sammenligne et værktøj med et andet.

BEMÆRK: Den angivne vibrationsemissionsværdien kan også anvendes i en præliminær eksponeringsvurdering.

ADVARSEL: Vibrationsemissionen under den faktiske anvendelse af værktøjet kan være forskellig fra den erklærede emissionsværdi, afhængigt af den måde, hvorpå værktøjet anvendes.

ADVARSEL: Sørg for at identificere de sikkerhedsforskrifter til beskyttelse af operatøren, som er baseret på en vurdering af eksponering under de faktiske brugsforhold (med hensyntagen til alle dele i brugscyklussen, f.eks. de gange, hvor værktøjet er slukket, og når det kører i tomgang i tilgift til afbrydertiden).

ADVARSEL: Den erklærede værdi for vibrations-emission gælder for el-værktøjets primære anvendelser. Hvis el-værktøjet imidlertid anvendes til andre formål, kan værdien for vibrations-emission være anderledes.

EU-konformitetserklæring

Kun for lande i Europa

Makita erklærer, at den følgende maskine (maskiner):

Maskinens betegnelse: Vinkelsliber

Model nr./ Type: 9557HNR, 9558HNR

Opfylder betingelserne i de følgende EU-direktiver:

2006/42/EU

De er fremstillet i overensstemmelse med den følgende standard eller standardiserede dokumenter: EN60745
Den tekniske fil, som er i overensstemmelse med 2006/42/EU er tilgængelig fra:

Makita, Jan-Baptist Vinkstraat 2, 3070, Belgien
4.6.2015



Yasushi Fukaya

Direktør

Makita, Jan-Baptist Vinkstraat 2, 3070, Belgien

Almindelige sikkerhedsregler for el-værktøj

⚠ ADVARSEL: Læs alle sikkerhedsadvarsler og alle sikkerhedsinstruktioner. Hvis nedenstående advarsler og instruktioner ikke overholdes, kan det medføre elektrisk stød, brand og/eller alvorlig personskade.

Gem alle advarsler og instruktioner til fremtidig reference.

Ordet "el-værktøj" i advarselne henviser til det netforsynede (netledning) el-værktøj eller batteriforsynede (akku) el-værktøj.

Sikkerhedsadvarsler for sliber

Almindelige sikkerhedsadvarsler for arbejde med slibning, slibning med sandpapir, trådbørstning eller slibende afskæring:

1. Denne maskine er beregnet til at fungere som en sliber, slibemaskine med sandpapir, trådbørste eller afskæringsværktøj. Læs alle de sikkerhedsadvarsler, instruktioner, illustrationer og specifikationer, som følger med denne maskine. Forsømmelse af at følge alle instruktionerne herunder kan resultere i elektrisk stød, brand og/eller alvorlig tilskadekomst.
2. **Det anbefales ikke at udføre operationer som for eksempel polering med denne maskine.** Anvendelse, som maskinen ikke er beregnet til, kan være farligt og føre til personskade.
3. **Anvend ikke tilbehør, som ikke er specifikt lavet og anbefalet af maskinens fabrikant.** Den omstændighed, at tilbehøret kan monteres på din maskine, er ingen garanti for, at anvendelsen bliver sikkerhedsmæssig forsvarlig.
4. **Tilbehørets nominelle hastighed skal være beregnet til mindst den samme som den maksimale hastighed, som er anført på maskinen.** Tilbehør, som kører med en større hastighed end deres nominelle hastighed, kan brække og slynges af.
5. **Tilbehørets ydre diameter og tykkelse skal være inden for din maskines kapacitetsrating.** Tilbehør med en forkert størrelse kan ikke beskyttes eller styres tilstrækkeligt.
6. **Gevindmontering af tilbehør skal passe til maskinens spindelgevind.** For tilbehør, som monteres med flanger, skal dornhullet på tilbehøret passe til lokaliseringsdiametere på flangen. Tilbehør, som ikke passer til maskinens monteringsdele, vil miste balancen, vibrere ekstremt og kan føre til tab af kontrol.
7. **Anvend ikke beskadiget tilbehør. Inspicer altid tilbehøret inden brugen, som for eksempel slibeskiver, for skår og revner, bagskiven for revner, slitage eller ekstrem nedslidning, trådbørsten for løse eller revnede tråde.** Hvis maskinen eller tilbehøret tabes, skal de efterses for skade, eller en ubeskadiget tilbehørsdel skal monteres. Efter inspektion og montering af tilbehør, skal De og omkringstående stå på god afstand af det roterende tilbehørs flade, og maskinen skal køres på højeste, ubelastede hastighed i et minut. Beskadiget tilbehør vil normalt brække under prøvetiden.

8. **Anvend personligt beskyttelsesudstyr.** Afhængigt af brugen skal der anvendes ansigtsskærm, beskyttelsesbriller eller sikkerhedsbriller. Anvend, alt efter forholdene, støvmaske, høreværn, handsker og forklæde, som kan stoppe små slibningsstykker eller fragmenter fra arbejdsområdet. Øjenbeskyttelsen skal kunne stoppe afslyngede stykker, som er frembragt af forskelligt arbejde. Støvmasken og respiratoren skal være i stand til at filtrere partikler, som er frembragt af arbejdet. Længere tids udsættelse for støj af høj intensitet kan medføre høretab.
9. **Hold tilskuere på god afstand af arbejdsområdet.** Enhver person, som befinder sig i arbejdsområdet, skal bære personligt beskyttelsesudstyr. Fragmenter fra arbejdsområdet eller fra brækket tilbehør kan blive slynget af og være årsag til tilskadekomst, også uden for det umiddelbare arbejdsområde.
10. **Hold kun maskinen i de isolerede gribeblader, når der udføres et arbejde, hvor det skærende tilbehør kan komme i berøring med skjulte ledninger eller dets egen ledning.** Skærende tilbehør, som kommer i berøring med en strømførende ledning, kan bevirke, at udsatte metaldele på maskinen bliver ledende, hvorved operatøren kan få stød.
11. **Anbring altid ledningen, så den ikke kommer i kontakt med drejende tilbehør.** Hvis De mister herredømmet over maskinen, kan ledningen blive skåret over eller sætte sig fast, og Deres hånd eller arm kan komme i kontakt med det roterende tilbehør.
12. **Læg aldrig maskinen fra Dem, før tilbehøret er stoppet fuldstændigt.** Det roterende tilbehør kan gribe fat i overfladen, hvilket kan bevirke, at De mister herredømmet over maskinen.
13. **Lad ikke maskinen køre, mens De bærer den ved siden.** Utsigtet kontakt med det roterende tilbehør kan gribe fat i tøjet og derved trække tilbehøret ind mod kroppen.
14. **Rengør maskinens ventilationsåbninger med jævne mellemrum.** Motorens vifte vil trække støv ind i huset, og en kraftig ophobning af metalstøv kan skabe elektrisk fare.
15. **Anvend ikke maskinen i nærheden af brændbare materialer.** Disse materialer kan blive antændt af gnister.
16. **Anvend ikke tilbehør, der kræver kølevæske.** Anvendelse af vand eller anden kølevæske kan resultere i dødelige stød eller elektriske stød.

Tilbageslag og relaterede advarsler

Tilbageslag er en pludselig reaktion på en fastklemt eller blokeret roterende skive, bagskive, børste eller andet tilbehør. En fastklemt eller blokeret del forårsager hurtig standsnng af det roterende tilbehør, som derved bliver årsag til, at den ukontrollerede maskine bliver tvunget i den modsatte retning af tilbehørets rotation ved punktet for bindingen.

Hvis for eksempel en slibeskive er blokeret eller fastklemt af arbejdsområdet, kan kanten på skiven, som går ind i fastklemningspunktet, grave sig ind i materialets overflade og derved bevirke, at skiven kommer ud eller presses ud. Skiven kan enten slynges mod eller bort fra operatøren, afhængigt af skivens bevægelse på fastklemningspunktet. Slibeskiver kan også brække under disse forhold.

Tilbageslag er resultatet af misbrug af maskinen og/eller fejlagtig anvendelse eller forkerte brugsforhold og kan undgås ved at man tager de rigtige forholdsregler som vist herunder.

1. **Hold godt fast i maskinen og hold kroppen og armen således, at De kan modvirke tilbageslagskraften. Anvend altid hjælpéhåndtaget, hvis et sådant medfølger, til at opnå maksimal kontrol af tilbageslag og drejningsmomentreaktion under starten.** Operatøren kan kontrollere drejningsmomentreaktion eller tilbageslagskraft, hvis de rigtige forholdsregler tages.
2. **Anbring aldrig hænderne i nærheden af det roterende tilbehør.** De risikerer at få hånden ind i tilbageslagets bane.
3. **Stil Dem ikke i det område, hvor maskinen vil bevæge sig, hvis der opstår tilbageslag.** Tilbageslag vil slynge maskinen i den modsatte retning af skivens omdrejning på blokeringstidspunktet.
4. **Vær særlig omhyggelig, når De arbejder på hjørner, skarpe kanter osv. Undgå at bumpe eller blokere tilbehøret.** Hjørner, skarpe kanter eller bumpen har tendens til at blokere det roterende tilbehør og forårsage tab af kontrol eller tilbageslag.
5. **Monter ikke en savkæde, træskæreklinge eller en savklinge med tænder.** Sådanne klinger giver hyppige tilbageslag og tab af kontrol.

Særlige sikkerhedsadvarsler for arbejde med slibning og afskæring:

1. **Anvend kun skivetyper, som anbefales til din maskine og den specielle beskyttelsesskærm, som er beregnet til den valgte skive.** Skiver, for hvilke maskinen ikke er beregnet, kan ikke afskærmes tilstrækkeligt og er ikke sikkerheds-mæssigt forsvarlige.
2. **Slibefladen på forsænkede centerskiver skal monteres under beskyttelsesskærmkantens flade.** En forkert monteret skive, som stikker ud fra beskyttelsesskærmkantens flade, kan ikke beskyttes tilstrækkeligt.
3. **Beskyttelsesskærmen skal være ordentligt monteret på maskinen og placeret, så den optimale sikkerhed opnås, således at mindst muligt af skiven vender mod operatøren.** Beskyttelsesskærmen bidrager til at beskytte operatøren mod afbrækkede skivefragmenter og utilsigtet kontakt med skiven og gnister, der kan ændre tøjet.
4. **Skiver må kun anvendes til de anbefalede opgaver. For eksempel: slib ikke med siden af en afskæringsskive.** Slibende afskæringsskiver er beregnet til periferisk slibning. Hvis disse skiver udsættes for sidetryk, kan resultatet blive, at de brækker.
5. **Anvend altid ubeskadigede skiveflanger, som har den rigtige størrelse og form til den valgte skive.** Rigtige skiveflanger støtter skiven, hvorved risikoen for skivebrud nedsættes. Flanger til afskæringsskiver kan være anderledes end slibeskiveflanger.
6. **Anvend ikke nedslidte skiver fra større maskiner.** Skiver, som er beregnet til større maskiner, er ikke egnede til en mindre maskines højere hastighed og kan brække.

Supplerende sikkerhedsadvarsler for arbejde med slibende afskæring:

1. **Vær påpasselig med ikke at "klemme" afskæringsskiven fast eller udsætte den for et ekstremt tryk. Forsøg ikke at lave et snit af ekstrem dybde.** Et for stort pres på skiven vil øge belastningen og risikoen for at skiven vrider eller binder i snittet med risikoen for tilbageslag eller brud på skiven til følge.
2. **Stå ikke på linje med eller bag den roterende skive.** Når skiven under anvendelse drejer bort fra Dem, kan et muligt tilbageslag bevirke, at den roterende skive og maskinen slynges direkte mod Dem.
3. **Hvis skiven binder eller hvis en skæring af en eller anden årsag afbrydes, skal De slukke for maskinen og holde den ubevægelig, indtil skiven er holdt helt op med at dreje. Forsøg aldrig at fjerne afskæringsskiven fra snittet, mens skiven er i bevægelse, da dette kan føre til tilbageslag.** Undersøg problemet og tag de rigtige forholdsregler for at eliminere årsagen til at skiven binder.
4. **Lad være med at starte skæringen i arbejdsemnet. Lad skiven komme op på fuld hastighed og gå derefter forsigtigt ind i snittet igen.** Skiven kan binde, presses op eller give tilbageslag, hvis maskinen startes igen i arbejdsemnet.
5. **Understøt paneler eller alle arbejdsemner i over størrelse for at minimere risikoen for fastklemning af skiven og tilbageslag.** Store arbejdsemner har tendens til at synke sammen under deres egen vægt. Der skal anbringes støtteanordninger under arbejdsemnet i nærheden af snitlinjen og nær kanten på arbejdsstykket på begge sider af skiven.
6. **Vær ekstra forsigtig, når De laver et "lommesnit" i eksisterende vægge eller andre blinde områder.** Den fremspringende skive kan komme til at skære i gas- og vandrør, elektriske ledninger eller genstande, som kan forårsage tilbageslag.

Særlige sikkerhedsadvarsler for slibning med sandpapir:

1. **Anvend ikke sandpapir af overstørrelse. Følg fabrikantens anbefalinger, når De vælger sandpapir.** Større sandpapir, som går ud over sandpapirskiven, udgør en fare for sønderrivelse og kan medføre blokering og beskadigelse af skiven eller være årsag til tilbageslag.

Særlige sikkerhedsadvarsler for trådbørstning:

1. **Vær opmærksom på, at trådbørstehårene afstødes fra børsten selv under almindelig anvendelse. Udsæt ikke trådbørstehårene for et for stort tryk ved at trykke for kraftigt på børsten.** Trådbørstehårene kan nemt gennemtrænge tynde klæder og/eller huden.
2. **Hvis anvendelse af en beskyttelsesskærm ved trådbørstning anbefales, må man ikke tillade interferens af trådsken eller børsten med beskyttelsesskærmen.** Trådsken eller børsten kan udvide sig i diameter på grund af arbejdsbelastningen og centrifugalkraften.

Supplerende sikkerhedsadvarsler:

1. **Hvis der anvendes forsænkede centerskiver, skal man sørge for kun at anvende fiberglasforstærkede skiver.**

2. **ANVEND ALDRIG** skiver af stenkop-typen med denne sliber. Denne sliber er ikke beregnet til disse typer skiver, og anvendelse af et sådant produkt kan resultere i alvorlig tilskadekomst.
3. Vær påpasselig med ikke at komme til at beskadige spindlen, flangen (specielt monteringsfladen) eller låsemøtrikken. Beskadigelse af disse dele kan resultere i, at skiven brækker.
4. Sørg for, at skiven ikke er i berøring med arbejdsområdet, inden De tænder for maskinen med afbryderen.
5. Inden De begynder at anvende maskinen på et rigtigt arbejdsområde, skal De lade den køre i et stykke tid. Vær opmærksom på vibrationer eller slør, som kan være tegn på dårlig montering eller en forkert afbalanceret skive.
6. Anvend den specificerede overflade på skiven til at udføre slibningen.
7. Læg ikke maskinen fra Dem, mens den stadig kører. Anvend kun maskinen som håndværktøj.
8. Bør ikke arbejdsområdet lige efter at arbejdet er udført. Det kan blive meget varmt og være årsag til forbrændinger.
9. Overhold altid fabrikantens instruktioner for korrekt montering og anvendelse af skiver. Behandl og opbevar skiver med forsigtighed.
10. Anvend ikke separate reduktionsbøsninger eller adaptere til at tilpasse slibeskiver med store centerhuller til maskinen.
11. Anvend kun de specificerede flanger til denne maskine.
12. Ved anvendelse af maskiner, der er beregnet til montering af slibeskiver med gevindforsynet hul, skal det altid sikres, at gevindet i skiven er langt nok i forhold til spindellængden.
13. Kontrollér at emnet er korrekt understøttet.
14. Forsigtig! Skiven fortsætter med at rotere, efter at der slukket for maskinen.
15. Hvis arbejdsstedet er ekstremt varmt eller fugtigt, eller slemt tilnavset med ledende støv, bør der anvendes en kortslutningsafbryder (30 mA) for at garantere sikkerheden under arbejdet.
16. Anvend aldrig maskinen på materialer, der indeholder asbest.
17. Anvend altid den støvopsamlende beskyttelseskærm, som er påkrævet ifølge de lokale regler, når afskæringsskiven anvendes.
18. Skæreskiver må ikke udsættes for tryk fra siden.
19. Anvend ikke stofarbejdsdshandsker under brugen. Fibre fra stofhandsker kan muligvis trænge ind i maskinen, hvilket forvolder skade på maskinen.

GEM DISSE FORSKRIFTER.

⚠ ADVARSEL: LAD IKKE bekvemmelighed eller kendskab til produktet (opnået gennem gentagen brug) forhindre, at sikkerhedsforskrifterne for produktet nøje overholdes. MISBRUG eller forsømmelse af at følge de i denne brugsvejledning givne sikkerhedsforskrifter kan medføre alvorlig personskade.

FUNKTIONSBESKRIVELSE

⚠ FORSIGTIG: Kontrollér altid, at maskinen er slået fra, og at netstikket er trukket ud, før der udføres justeringer, eller funktioner kontrolleres på maskinen.

Aksellås

Tryk på aksellåsen for at forhindre, at spindlen roterer, når tilbehør monteres eller afmonteres.

► Fig.1: 1. Aksellås

BEMÆRKNING: Udløs aldrig aksellåsen, mens spindlen bevæger sig. Maskinen kan lide skade.

Afbryderfunktion

⚠ FORSIGTIG: Før maskinen tilsluttes, skal det altid kontrolleres, at glidekontakten fungerer ordentligt og vender tilbage til "OFF"-stillingen, når bagsiden af glidekontakten trykkes ind.

⚠ FORSIGTIG: Kontakten kan låses i "ON"-stillingen for at gøre det nemmere for brugeren ved længere tids brug af maskinen. Vær forsigtig, når maskinen låses i "ON"-stillingen, og hold godt fast i maskinen.

For at starte maskinen, skal man trykke kontakten mod "I (ON)"-stillingen ved at trykke på bagsiden af glidekontakten. For kontinuerlig brug skal man trykke på forsiden af glidekontakten for at låse den.

For at stoppe maskinen, skal man trykke på bagsiden af glidekontakten og derefter trykke den mod "O (OFF)"-stillingen.

► Fig.2: 1. Glidekontakt

Sikring mod utilsigtet start

Maskinen starter ikke med afbryderen i lås-til stilling, selv hvis maskinen er tilsluttet.

For at annullere sikringen mod utilsigtet start skal man sætte afbryderknappen tilbage til stillingen FRA.

BEMÆRK: Vent i mere end ét sekund inden maskinen genstartes, når sikringen mod utilsigtet start er aktiveret.

BEMÆRK: Når maskinen er overbelastet, og maskinens temperatur når et vist niveau, stopper maskinen muligvis automatisk. I denne situation skal maskinen have lov til at køle af, inden den tændes igen.

Funktion for blød start

Funktionen for blød start reducerer startreaktionen.

SAMLING

⚠️FORSIGTIG: Sørg altid for, at maskinen er slukket og taget ud af forbindelse, inden der udføres nogen form for arbejde på maskinen.

Montering af sidehåndtag

⚠️FORSIGTIG: Sørg altid for, at sidehåndtaget er ordentligt monteret inden brugen.

Skrue sidehåndtaget ordentligt på maskinen på det på illustrationen viste sted.

► Fig.3

Montering og afmontering af beskyttelsesskærm (til forsænket centerskive, bladdisk, flex-skive, trådskivebørste / slibende afskæringsskive, diamantskive)

⚠️ADVARSEL: Ved brug af en forsænket centerskive, bladdisk, flex-skive eller trådskivebørste skal beskyttelsesskærmen monteres på maskinen, så den lukkede side af skærmen altid vender mod operatøren.

⚠️ADVARSEL: Ved brug af en slibende afskæringsskive / diamantskive skal man sørge for kun at anvende den særlige beskyttelsesskærm, der er beregnet til brug med afskæringsskiver.

(I nogle lande i Europa kan den almindelige beskyttelsesskærm anvendes, når man anvender en diamantskive. Følg bestemmelserne for det pågældende land.)

Monter beskyttelsesskærmen, så fremspringet på båndet på beskyttelsesskærmen er ud for indhakkene på kuglelejevoksen. Drej derefter beskyttelsesskærmen til en sådan vinkel at den kan beskytte operatøren i overensstemmelse med arbejdet. Sørg for at stramme skruen godt til.

Følg fremgangsmåden til montage i modsat rækkefølge for at afmontere beskyttelsesskærmen.

► Fig.4: 1. Beskyttelsesskærm 2. Kuglelejevoks 3. Skrue

Montering eller afmontering af forsænket centerskive eller bladdisk

Ekstraudstyr

⚠️ADVARSEL: Når en forsænket centerskive eller bladdisk anvendes, skal beskyttelsesskærmen sættes på maskinen, så den lukkede side af skærmen altid er rettet mod operatøren.

⚠️FORSIGTIG: Sørg for, at monteringsdelen af den indvendige flange passer perfekt ind i den indvendige diameter på den forsænkede centerskive / bladdisken. Monteres den indvendige flange på den forkerte side, kan det medføre farlig vibration.

Monter den indvendige flange på spindlen.

Sørg for, at anbringe den bulende del af den indvendige flange på den lige del nederst på spindlen.

Anbring den forsænkede centerskive / bladdisken på den indvendige flange og skru låsemøtrikken på spindlen.

► Fig.5: 1. Låsemøtrik 2. Forsænket centerskive 3. Indvendig flange 4. Monteringsdel

Låsemøtrikken strammes ved at man trykker fast på aksellåsen, så spindlen ikke kan dreje, og derefter anvender låsemøtriknøglen til at stramme godt til i retningen med uret.

► Fig.6: 1. Låsemøtriknøgle 2. Aksellås

Gå frem i modsat rækkefølge af monteringsproceduren, når skiven skal tages af.

Superflange

Ekstraudstyr

Kun for maskiner med M14-spindelgevind.

Modeller med bogstavet F er udstyret med en superflange som standard. Der behøves kun 1/3 kraft til at løsne låsemøtrikken i forhold til den almindelige type.

Montering og afmontering af flex-skive

Ekstraudstyr

⚠️ADVARSEL: Brug altid den medfølgende beskyttelsesskærm, når flex-skiven er monteret på maskinen. Skiven kan brække under brugen, og beskyttelsesskærmen bidrager til at reducere risikoen for tilskadekomst.

► Fig.7: 1. Låsemøtrik 2. Flex-skive 3. Bagskive 4. Indvendig flange

Følg instruktionerne for den forsænkede centerskive, men brug også bagskiven over skiven. Se rækkefølgen for samling på siden med beskrivelse af tilbehør i denne brugsanvisning.

Montering og afmontering af slibedisk

Ekstraudstyr

► Fig.8: 1. Sandslibelåsemøtrik 2. Slibedisk 3. Gummipude

1. Monter gummipuden på spindlen.

2. Monter disken på gummipuden og skru sandslibelåsemøtrikken på spindlen.

3. Hold spindlen med aksellåsen og spænd sandslibelåsemøtrikken ordentligt til i urets retning med låsemøtriknøglen.

Følg fremgangsmåden til montage i modsat rækkefølge for at afmontere disken.

BEMÆRK: Brug sandslibetilbehør, som er specificeret i denne brugsanvisning. Dette skal anskaffes separat.

ANVENDELSE

⚠ ADVARSEL: Det bør aldrig være nødvendigt at anvende magt på maskinen. Maskinens egen vægt sørger for det nødvendige tryk. Tvang og ekstremt tryk kan medføre farlige brud på skiven.

⚠ ADVARSEL: Skift **ALTID** skiven ud, hvis maskinen tabes under slibning.

⚠ ADVARSEL: Stød eller slå **ALDRIG** slibeskiven mod arbejdsemnet.

⚠ ADVARSEL: Undgå at støde og vride skiven, især ved arbejde på hjørner, skarpe kanter osv. Det kan medføre tab af kontrol og tilbageslag.

⚠ ADVARSEL: Anvend **ALDRIG** maskinen med klinger, der er beregnet til skæring i træ, og andre savklinger. Hvis sådanne klinger anvendes på en sliber, bliver resultatet ofte tilbageslag og tab af kontrol, hvilket kan føre til tilskadekomst.

⚠ FORSIGTIG: Tænd aldrig for maskinen, mens den er i kontakt med arbejdsemnet. Operatøren kan i så fald komme til skade.

⚠ FORSIGTIG: Bær altid beskyttelsesbriller eller ansigtsskærm under brugen.

⚠ FORSIGTIG: Efter brugen skal man altid slukke for maskinen og vente, indtil skiven er stoppet helt, inden man lægger maskinen fra sig.

⚠ FORSIGTIG: Hold **ALTID** godt fast i maskinen med den ene hånd på maskinhuset og den anden på sidehåndtaget.

Slibning og sandslibning

► Fig.9

Start maskinen og anbring derefter skiven eller disken på arbejdsemnet. Generelt skal kanten på skiven eller disken holdes i en vinkel på ca. 15° mod arbejdsemnets overflade. I det tidsrum, hvor en ny skive indkøres, må man ikke arbejde med sliberen i forlæns retning, da dette muligvis vil bevirke, at den skærer ind i arbejdsemnet. Når først et stykke tids anvendelse har rundet kanten af skiven af, kan den anvendes i både forlæns og baglæns retning.

Anvendelse med slibende afskæringsskive / diamantskive

Ekstraudstyrt

⚠ ADVARSEL: Ved brug af en slibende afskæringsskive / diamantskive skal man sørge for kun at anvende den særlige beskyttelsesskærm, der er beregnet til brug med afskæringsskiver.

(I nogle lande i Europa kan den almindelige beskyttelsesskærm anvendes, når man anvender en diamantskive. Følg bestemmelserne for det pågældende land.)

⚠ ADVARSEL: Anvend **ALDRIG** en afskæringsskive til sideslibning.

⚠ ADVARSEL: Vær påpasselig med ikke at "klemme" skiven eller udsætte den for ekstremt tryk. Forsøg ikke at lave et snit af ekstremt dybde. Et for stort pres på skiven vil øge belastningen og risikoen for at skiven vrider eller binder i snittet samt risikoen for tilbageslag, brud på skiven og overophedning af motoren.

⚠ ADVARSEL: Begynd ikke skæringen i arbejdsemnet. Lad skiven komme op på fuld hastighed og gå omhyggeligt ind i snittet, idet maskinen bevæges fremad over arbejdsemnets overflade. Skiven kan binde, presses op eller give tilbageslag, hvis maskinen startes i arbejdsemnet.

⚠ ADVARSEL: Under skæring må man aldrig ændre skivens vinkel. Hvis man øver sidelæns tryk på afskæringsskiven (som ved slibning), vil det bevirke, at skiven revner eller brækker med alvorlig tilskadekomst til følge.

⚠ ADVARSEL: En diamantskive skal anvendes vinkelret på det materiale, der skæres i.

- Fig.10: 1. Låsemøtrik 2. Slibende afskæringsskive / diamantskive 3. Indvendig flange 4. Beskyttelsesskærm til slibende afskæringsskive / diamantskive

Med hensyn til monteringen skal instruktionerne for forsænkede centerskiver følges.

Retningen for montering af låsemøtrikken og den indvendige flange afhænger af skivetypen og -tykkelsen.

Se de følgende figurer.

Når den slibende afskæringsskive monteres:

- Fig.11: 1. Låsemøtrik 2. Slibende afskæringsskive (Tyndere end 4 mm) 3. Slibende afskæringsskive (4 mm eller tykkere) 4. Indvendig flange

Når diamantskiven monteres:

- Fig.12: 1. Låsemøtrik 2. Diamantskive (Tyndere end 4 mm) 3. Diamantskive (4 mm eller tykkere) 4. Indvendig flange

Anvendelse med trådkopbørste

Ekstraudstyr

⚠️FORSIGTIG: Kontroller børstens funktion ved at køre maskinen uden belastning, og sørg for at der ikke befinder sig nogen personer foran eller i forlængelse af børsten.

⚠️FORSIGTIG: Anvend ikke en børste, som er beskadiget, eller som ikke er i balance.

Anvendelse af en beskadiget børste kan øge risikoen for tilskadekomst forårsaget af kontakt med knækkede børstetråde.

► **Fig.13:** 1. Trådkopbørste

Tag maskinen ud af forbindelse og anbring den på hovedet, så der er nem adgang til spindlen. Fjern alt ekstraudstyr på spindlen. Monter trådkopbørsten på spindlen og stram til med den medfølgende nøgle.

BEMÆRKNING: Undgå, når børsten anvendes, at udøve et for stort tryk, som medfører overbøjning af tråde. Det kan muligvis medføre for tidligt brud.

Anvendelse med trådkivebørste

Ekstraudstyr

⚠️FORSIGTIG: Kontroller trådkivebørstens funktion ved at køre maskinen uden belastning, og sørg for, at der ikke befinder sig nogen personer foran eller i forlængelse af børsten.

⚠️FORSIGTIG: Anvend ikke en trådkivebørste, som er beskadiget, eller som ikke er i balance.

Anvendelse af en beskadiget trådkivebørste kan øge risikoen for tilskadekomst forårsaget af kontakt med ødelagte tråde.

⚠️FORSIGTIG: Anvend **ALTID** en beskyttelseskærm med trådkivebørster, og sørg for, at skivens diameter passer inden i beskyttelseskærmen. Skiven kan brække under brugen, og beskyttelseskærmen bidrager til at reducere risikoen for tilskadekomst.

► **Fig.14:** 1. Trådkivebørste

Tag maskinen ud af forbindelse og anbring den på hovedet, så der er nem adgang til spindlen. Fjern alt ekstraudstyr på spindlen. Sæt trådkivebørsten på spindlen og stram med nøglerne.

BEMÆRKNING: Undgå, når trådkivebørsten anvendes, at udøve et for stort tryk, som medfører overbøjning af tråde. Det kan muligvis medføre for tidligt brud.

VEDLIGEHOLDELSE

⚠️FORSIGTIG: Kontrollér altid, at der er slukket for maskinen, og at netstikket er trukket ud, før der udføres eftersyn eller vedligeholdelse.

BEMÆRKNING: Anvend aldrig benzin, rensbenzin, fortynder, alkohol og lignende. Det kan medføre misfarvning, deformation eller revner.

Rengøring af ventilationsåbninger

Maskinen og dens ventilationsåbninger skal altid holdes rene. Rengør maskinens ventilationsåbninger med jævne mellemrum eller når ventilationsåbningerne begynder at blive tilstoppede.

► **Fig.15:** 1. Udstødningsåbning 2. Indsugningsåbning

For at opretholde produktets SIKKERHED og PÅLIDELIGHED må reparation, vedligeholdelse eller justering kun udføres af et autoriseret Makita servicecenter eller fabrikksservicecenter med anvendelse af Makita reservedele.

EKSTRAUDSTYR

⚠ FORSIGTIG: Det følgende tilbehør og ekstraudstyr er anbefalet til brug med Deres Makita maskine, der er beskrevet i denne brugsanvisning. Anvendelse af andet tilbehør eller ekstraudstyr kan udgøre en risiko for personskade. Anvend kun tilbehør og ekstraudstyr til det beskrevne formål.

Hvis De behøver hjælp ved valg af tilbehør eller ønsker yderligere informationer, bedes De kontakte Deres lokale Makita servicecenter.

► Fig.16

-	115 mm model	125 mm model
1	Håndtag 36	
2	Beskyttelsesskærm (til slibeskive)	
3	Indvendig flange / superflange	
4	Forsænket centerskive / bladdisk	
5	Låsemøtrik	
6	Bagskive	
7	Flex-skive	
8	Gummipude 100	Gummipude 115
9	Slibedisk	
10	Sandslibelåsemøtrik	
11	Trådskivebørste	
12	Trådkopbørste	
13	Beskyttelsesskærm (til afskæringsskive) *1	
14	Slibende afskæringsskive / diamantskive	
-	Låsemøtriknøgle	

BEMÆRK: *1 I nogle lande i Europa kan den almindelige beskyttelsesskærm anvendes i stedet for den specielle beskyttelsesskærm, som dækker begge sider af skiven, når man anvender en diamantskive. Følg bestemmelserne i det pågældende land.

BEMÆRK: Nogle ting på denne liste kan være inkluderet i værktøjspakken som standardtilbehør. Det kan være forskellige fra land til land.

ΠΡΟΔΙΑΓΡΑΦΕΣ

Μοντέλο:	9557HNR	9558HNR
Διάμετρος τροχού	115 mm	125 mm
Μέγιστο πάχος τροχού	7,2 mm	
Σπείρωμα ατράκτου	M14 ή 5/8" (ειδικό της χώρας)	
Ονομαστική ταχύτητα (n)	11.000 min ⁻¹	
Συνολικό μήκος	271 mm	
Καθαρό βάρος	2,0 kg	2,1 kg
Κατηγορία ασφάλειας	□/II	

- Λόγω του συνεχόμενου προγράμματος που εφαρμόζουμε για έρευνα και ανάπτυξη, τα τεχνικά χαρακτηριστικά στο παρόν έντυπο υπόκεινται σε αλλαγή χωρίς προειδοποίηση.
- Τα τεχνικά χαρακτηριστικά μπορεί να διαφέρουν από χώρα σε χώρα.
- Βάρος σύμφωνα με διαδικασία EPTA 01/2003

Προοριζόμενη χρήση

Το εργαλείο προορίζεται για τη λείανση, τρίψιμο και κοπές μεταλλικών και πέτρινων υλικών χωρίς τη χρήση νερού.

Ηλεκτρική παροχή

Το εργαλείο πρέπει να συνδέεται μόνο με ηλεκτρική παροχή της ίδιας τάσης με αυτή που αναγράφεται στην πινακίδα ονομαστικών τιμών και μπορεί να λειτουργήσει μόνο με εναλλασσόμενο μονοφασικό ρεύμα. Υπάρχει διπλή μόνωση και κατά συνέπεια, μπορεί να γίνει σύνδεση σε ακροδέκτες χωρίς σύρμα γείωσης.

Θόρυβος

Το τυπικό Α επίπεδο καταμετρημένου θορύβου καθορίζεται σύμφωνα με το EN60745:

Στάθμη ηχητικής πίεσης (L_{PA}): 86 dB (A)

Στάθμη ηχητικής ισχύος (L_{WA}): 97 dB (A)

Αβεβαιότητα (K): 3 dB (A)

⚠ ΠΡΟΕΙΔΟΠΟΙΗΣΗ: Να φοράτε ωτοασπίδες.

Κραδασμός

Η ολική τιμή δόνησης (άθροισμα τρι-αξονικού διανύσματος) καθορίζεται σύμφωνα με το EN60745:

Μοντέλο 9557HNR

Είδος εργασίας: λείανση επιφανειών

Εκπομπή δόνησης (a_{n, AEG}): 7,5 m/s²

Αβεβαιότητα (K): 1,5 m/s²

Είδος εργασίας: τρίψιμο με δίσκο

Εκπομπή δόνησης (a_{n, DS}): 2,5 m/s² ή λιγότερο

Αβεβαιότητα (K): 1,5 m/s²

Μοντέλο 9558HNR

Είδος εργασίας: λείανση επιφανειών

Εκπομπή δόνησης (a_{n, AEG}): 8,5 m/s²

Αβεβαιότητα (K): 1,5 m/s²

Είδος εργασίας: τρίψιμο με δίσκο

Εκπομπή δόνησης (a_{n, DS}): 2,5 m/s² ή λιγότερο

Αβεβαιότητα (K): 1,5 m/s²

ΠΑΡΑΤΗΡΗΣΗ: Η δηλωμένη τιμή εκπομπής κραδασμών έχει μετρηθεί σύμφωνα με την πρότυπη μέθοδο δοκιμής και μπορεί να χρησιμοποιηθεί για τη σύγκριση ενός εργαλείου με άλλο.

ΠΑΡΑΤΗΡΗΣΗ: Η δηλωμένη τιμή εκπομπής κραδασμών μπορεί να χρησιμοποιηθεί και στην προκαταρκτική αξιολόγηση έκθεσης.

⚠ ΠΡΟΕΙΔΟΠΟΙΗΣΗ: Η εκπομπή κραδασμών κατά τη χρήση του ηλεκτρικού εργαλείου σε πραγματικές συνθήκες μπορεί να διαφέρει από τη δηλωμένη τιμή εκπομπής ανάλογα με τον τρόπο χρήσης του εργαλείου.

⚠ ΠΡΟΕΙΔΟΠΟΙΗΣΗ: Φροντίστε να λάβετε τα κατάλληλα μέτρα προστασίας του χειριστή βάσει ενός υπολογισμού της έκθεσης σε πραγματικές συνθήκες χρήσης (λαμβάνοντας υπόψη όλες τις συνιστώσες του κύκλου λειτουργίας όπως τους χρόνους που το εργαλείο είναι εκτός λειτουργίας και όταν βρίσκεται σε αδρανή λειτουργία πέραν του χρόνου ενεργοποίησης).

⚠ ΠΡΟΕΙΔΟΠΟΙΗΣΗ: Η δηλωμένη τιμή εκπομπής δόνησης χρησιμοποιείται για κύριες εφαρμογές του ηλεκτρικού εργαλείου. Ωστόσο, αν το ηλεκτρικό εργαλείο χρησιμοποιείται για άλλες εφαρμογές, η τιμή εκπομπής δόνησης ενδέχεται να είναι διαφορετική.

Δήλωση Συμμόρφωσης ΕΚ

Μόνο για χώρες της Ευρώπης

Η Makita δηλώνει ότι τα ακόλουθα μηχανήματα:

Χαρακτηρισμός μηχανήματος: Γωνιακός λειαντήρας

Αρ. μοντέλου/ Τύπος: 9557HNR, 9558HNR

Συμμορφώνονται με τις ακόλουθες Ευρωπαϊκές

Οδηγίες: 2006/42/ΕΚ

Κατασκευάζονται σύμφωνα με τα ακόλουθα πρότυπα ή έγγραφα τυποποίησης: EN60745

Το τεχνικό αρχείο σύμφωνα με την 2006/42/ΕΚ διατίθεται από:

Makita, Jan-Baptist Vinkstraat 2, 3070, Βέλγιο

4.6.2015

Γενικές προειδοποιήσεις ασφαλείας για το ηλεκτρικό εργαλείο

▲ ΠΡΟΕΙΔΟΠΟΙΗΣΗ: Διαβάστε όλες τις προειδοποιήσεις για την ασφάλεια και όλες τις οδηγίες. Η μη τήρηση των προειδοποιήσεων και οδηγιών μπορεί να καταλήξει σε ηλεκτροπληξία, πυρκαγιά ή/και σοβαρό τραυματισμό.

Φυλάξτε όλες τις προειδοποιήσεις και τις οδηγίες για μελλοντική παραπομπή.

Στις προειδοποιήσεις, ο όρος «ηλεκτρικό εργαλείο» αναφέρεται σε ηλεκτρικό εργαλείο που τροφοδοτείται από την κύρια παροχή ηλεκτρικού ρεύματος (με ηλεκτρικό καλώδιο) ή σε ηλεκτρικό εργαλείο που τροφοδοτείται από μπαταρία (χωρίς ηλεκτρικό καλώδιο).

Προειδοποιήσεις ασφαλείας για τον λειαντήρα

Προειδοποιήσεις ασφαλείας, κοινές για εργασίες λείανσης, γυαλοχαρτίσματος, καθαρισμού με συρμάτοβουρτσα ή λειαντικής αποκοπής:

1. Αυτό το ηλεκτρικό εργαλείο προορίζεται για χρήση ως εργαλείο λείανσης, γυαλοχαρτίσματος, καθαρισμού με συρμάτοβουρτσα ή κοπής. Διαβάστε όλες τις προειδοποιήσεις ασφαλείας, οδηγίες, εικονογραφίες και προδιαγραφές που παρέχονται με αυτό το ηλεκτρικό εργαλείο. Αμέλεια να ακολουθήσετε όλες τις οδηγίες που αναγράφονται παρακάτω μπορεί να έχει ως αποτέλεσμα ηλεκτροπληξία, φωτιά ή/και σοβαρό τραυματισμό.
2. Δεν συνιστάται η εκτέλεση εργασιών στίλβωσης με αυτό το ηλεκτρικό εργαλείο. Λειτουργίες για τις οποίες το ηλεκτρικό αυτό εργαλείο δεν έχει σχεδιαστεί μπορεί να δημιουργήσουν κίνδυνο και να προκαλέσουν προσωπικό τραυματισμό.
3. Μη χρησιμοποιείτε εξαρτήματα που δεν είναι ειδικά σχεδιασμένα και συνιστώμενα από τον κατασκευαστή του εργαλείου. Απλώς και μόνο επειδή το εξάρτημα μπορεί να προσαρτηθεί στο ηλεκτρικό εργαλείο, αυτό δεν εξασφαλίζει ασφαλή λειτουργία.
4. Η ονομαστική ταχύτητα του εξαρτήματος πρέπει να είναι τουλάχιστον ίση με την μέγιστη ταχύτητα που είναι σημειωμένη στο ηλεκτρικό εργαλείο. Εξαρτήματα που λειτουργούν ταχύτερα από την ονομαστική ταχύτητα τους μπορεί να σπάσουν και να εκτοξευθούν.
5. Η εξωτερική διάμετρος και το πάχος του εξαρτήματός σας πρέπει να είναι μέσα στα όρια ικανότητας του ηλεκτρικού εργαλείου σας. Εξαρτήματα μη σωστού μεγέθους δεν μπορούν να προφυλαχθούν ή να ελεγχθούν επαρκώς.

6. Η στερέωση με σπείρωμα των εξαρτημάτων πρέπει να ταιριάζει με το σπείρωμα ατράκτου του λειαντήρα. Για εξαρτήματα στερεωμένα με φλάντζες, η οπή προσαρμογής του εξαρτήματος πρέπει να ταιριάζει με τη διάμετρο εντοπισμού της φλάντζας. Τα εξαρτήματα που δεν ταιριάζουν με το εξάρτημα στερέωσης του ηλεκτρικού εργαλείου θα παρουσιάσουν υποβαθμισμένη ζυγοστάθμιση, υπερβολικούς κραδασμούς και ενδεχομένως απώλεια ελέγχου.
7. Μη χρησιμοποιείτε εξάρτημα που έχει υποστεί βλάβη. Πριν από κάθε χρήση, να εξετάζετε το εξάρτημα, όπως λειαντικούς τροχούς, να ρινίσματα και ρωγμές, τη βάση υποστήριξης για ρωγμές, ρήξη ή υπερβολική φθορά, τη συρμάτοβουρτσα για χαλαρά ή ραγισμένα σύρματα. Αν το ηλεκτρικό εργαλείο ή το εξάρτημα πέσει κάτω, ελέγξτε το για ζημιές ή προσαρμόστε ένα καλό εξάρτημα. Μετά τον έλεγχο και την προσαρμογή ενός εξαρτήματος, απομακρυνθείτε εσείς και οι γύρω σας από το επίπεδο περιστροφής του εξαρτήματος και αφήστε σε λειτουργία το ηλεκτρικό εργαλείο με μέγιστη ταχύτητα χωρίς φορτίο για ένα λεπτό. Εξαρτήματα με ζημιές θα διαλυθούν κατά τον χρόνο αυτής της δοκιμής.
8. Να φοράτε ατομικό εξοπλισμό προστασίας. Ανάλογα με την εφαρμογή, να χρησιμοποιείτε προσωπίδα προστασίας, προστατευτικά γυαλιά-προσωπίδες ή γυαλιά προστασίας. Όταν απαιτείται, να φοράτε μάσκα σκόνης, προστατευτικά ακοής, γάντια και ποδιά συνεργείου ικανά να παρέχουν προστασία από τα εκτινασόμενα μικρά θραύσματα λόγω της λείανσης ή του τεμαχίου εργασίας. Τα προστατευτικά ματιών πρέπει να είναι ικανά να σταματήσουν τυχόν εκτινασόμενα θραύσματα που δημιουργούνται κατά την εκτέλεση διαφόρων εργασιών. Η μάσκα σκόνης ή αναπνευστήρας πρέπει να είναι ικανή να φιλτράρει σωματίδια παραγόμενα από τις λειτουργίες σας. Η παρατεταμένη έκθεση σε θόρυβο υψηλής έντασης μπορεί να προκαλέσει απώλεια ακοής.
9. Κρατάτε τους γύρω σας σε μια ασφαλή απόσταση από τον χώρο εργασίας. Οποιοσδήποτε εισερχόμενος στο χώρο εργασίας πρέπει να φορά ατομικό προστατευτικό εξοπλισμό. Τεμαχίδια από το τεμάχιο εργασίας ή από ένα στασιμένο εξάρτημα μπορεί να εκτιναχθούν μακριά και να προκαλέσουν τραυματισμό πέραν της άμεσης περιοχής εργασίας.
10. Κρατάτε το ηλεκτρικό εργαλείο μόνο από τις μονωμένες επιφάνειες κρατήματος, όταν εκτελέσει μια εργασία όπου το εξάρτημα κοπής μπορεί να έρθει σε επαφή με κρυμμένες καλωδιώσεις ή με το δικό του καλώδιο. Σε περίπτωση επαφής του εξαρτήματος κοπής με ηλεκτροφόρο καλώδιο, μπορεί τα εκτεθειμένα μεταλλικά εξαρτήματα του ηλεκτρικού εργαλείου να καταστούν τα ίδια ηλεκτροφόρα και να προκαλέσουν ηλεκτροπληξία στο χειριστή.
11. Κρατήστε το καλώδιο μακριά από το περιστρεφόμενο εξάρτημα. Αν χάσετε τον έλεγχο, το καλώδιο τροφοδοσίας μπορεί να κοπεί ή να εμπλακεί και το χέρι ή ο βραχίονάς σας μπορεί να τραβηχτεί προς το περιστρεφόμενο εξάρτημα.

12. **Μην τοποθετείτε ποτέ το ηλεκτρικό εργαλείο κάτω μέχρι το εξάρτημα να έχει σταματήσει τελείως.** Το περιστρεφόμενο εξάρτημα μπορεί να πιάσει την επιφάνεια και να τραβήξει το ηλεκτρικό εργαλείο έξω από τον έλεγχό σας.
13. **Μη χειρίζεστε το ηλεκτρικό εργαλείο ενώ το μεταφέρετε στο πλευρό σας.** Τυχαιά επαφή με το περιστρεφόμενο εξάρτημα μπορεί να προκαλέσει πιάσιμο στα ρούχα σας και να τραβήξει το εξάρτημα μέσα στο σώμα σας.
14. **Καθαρίζετε τακτικά τα ανοίγματα εξαιρισμού του ηλεκτρικού εργαλείου.** Ο ανεμιστήρας του μοτέρ θα αναρροφήσει τη σκόνη μέσα στο περιβλήμα και η υπερβολική συγκέντρωση ρινισμάτων μετάλλου μπορεί να προκαλέσει κίνδυνο ηλεκτροπληξίας.
15. **Μη χειρίζεστε το ηλεκτρικό εργαλείο κοντά σε εύφλεκτα υλικά.** Σπινθήρες μπορεί να αναφλέξουν τα υλικά αυτά.
16. **Μη χρησιμοποιείτε εξαρτήματα που χρειάζονται ψυκτικά υγρά.** Η χρήση νερού ή άλλων ψυκτικών υγρών μπορεί να προκαλέσουν ηλεκτροπληξία ή σοκ.

Κλότσημα και σχετικές προειδοποιήσεις

Το κλότσημα είναι μια ξαφνική αντίδραση του εργαλείου λόγω σύσφιξης ή σκάλωματος του περιστρεφόμενου τροχού, της βάρσης υποστήριξης, της βούρτσας ή τυχόν άλλου εξαρτήματος. Η σύσφιξη ή το σκάλωμα προκαλεί ταχεία απώλεια ελέγχου του περιστρεφόμενου εξαρτήματος το οποίο στη συνέχεια υποχρεώνει το ανεξέλεγκτο ηλεκτρικό εργαλείο σε περιστροφή αντίθετη από εκείνη του εξαρτήματος στο σημείο εμπλοκής. Για παράδειγμα, αν ένας λειαντικός τροχός περιέλθει σε σύσφιξη ή σκάλωμα στο τεμάχιο εργασίας, η ακμή του τροχού που εισέρχεται στο σημείο σύσφιξης μπορεί να σκάει την επιφάνεια του υλικού προκαλώντας την αναπήδηση ή το κλότσημα του τροχού. Ο τροχός μπορεί να αναπηδήσει προς το μέρος του χειριστή ή αντίθετα να απομακρυνθεί από αυτόν, ανάλογα με τη φορά περιστροφής του τροχού στο σημείο σύσφιξης. Υπό αυτές τις συνθήκες, οι λειαντικοί τροχοί μπορεί επίσης να υποστούν θραύση. Το κλότσημα είναι αποτέλεσμα κακής χρήσης του ηλεκτρικού εργαλείου ή/και εσφαλμένων χειρισμών ή συνθηκών και μπορεί να αποφευχθεί με τις κατάλληλες προφυλάξεις όπως δίνονται παρακάτω.

1. **Κρατάτε σταθερά το ηλεκτρικό εργαλείο και τοποθετήστε το σώμα σας και τον βραχίονα έτσι ώστε να ανθίστανται στις δυνάμεις του κλοτσήματος.** Να χρησιμοποιείτε πάντα βοηθητική λαβή, αν παρέχεται, για μέγιστο βαθμό ελέγχου του κλοτσήματος ή της ροπής αντίδρασης κατά την εκκίνηση. Ο χειριστής μπορεί να ελέγχει τις αντιδράσεις ροπής ή δυνάμεις κλοτσήματος, αν έχουν ληφθεί οι κατάλληλες προφυλάξεις.
2. **Ποτέ μη βάλετε το χέρι σας κοντά στο περιστρεφόμενο εξάρτημα.** Το εξάρτημα μπορεί να κλοτσήσει στο χέρι σας.
3. **Μη τοποθετήσετε το σώμα σας στην περιοχή όπου το ηλεκτρικό εργαλείο θα κινηθεί αν συμβεί κλότσημα.** Το κλότσημα θα οδηγήσει το εργαλείο σε διεύθυνση αντίθετη της κίνησης του τροχού στο σημείο εμπλοκής.
4. **Δώστε ιδιαίτερη προσοχή όταν εργάζεστε σε γωνίες, κοφτερές ακμές, κλπ. Να αποφεύγετε την αναπήδηση και το σκάλωμα του εξαρτήματος.** Γωνίες, αιχμηρές άκρες ή αναπηδησεις έχουν την τάση να προκαλούν εμπλοκή στο περιστρεφόμενο εξάρτημα και προκαλούν απώλεια ελέγχου ή κλότσημα.

5. **Μην προσαρμόζετε αλισσοπρίνο, λεπίδα ξυλογλυπτικής ή λάμα πριονιού με δόντια.** Τέτοιες λάμες προκαλούν συχνό κλότσημα και απώλεια ελέγχου.

Προειδοποιήσεις ασφαλείας ειδικά για εργασίες λείανσης και κοπής:

1. **Να χρησιμοποιείτε μόνο τύπους τροχών που συνιστώνται για χρήση με το δικό σας ηλεκτρικό εργαλείο και το συγκεκριμένο προφυλακτήρα που έχει σχεδιαστεί για τον επιλεγμένο τροχό.** Η παροχή επαρκούς προστασίας από τροχούς για τους οποίους δεν έχει σχεδιαστεί το ηλεκτρικό εργαλείο, δεν είναι δυνατή και επομένως οι τροχοί δεν είναι ασφαλείς.
2. **Η επιφάνεια λείανσης των τροχών με χαμηλωμένο κέντρο πρέπει να είναι στερεωμένη κάτω από το επίπεδο του προστατευτικού χείλους.** Ένας τροχός που δεν είναι στερεωμένος καλά ο οποίος προεξέχει μέσα από το επίπεδο του προστατευτικού χείλους δεν μπορεί να προστατευτεί επαρκώς.
3. **Η προσαρμογή του προφυλακτήρα στο ηλεκτρικό εργαλείο πρέπει να πραγματοποιείται με ασφάλεια και η τοποθέτηση του να παρέχει τη μέγιστη δυνατή προστασία, ώστε ελάχιστο τμήμα του τροχού να εκτίθεται προς το μέρος του χειριστή.** Ο προφυλακτήρας διευκολύνει την προστασία του χειριστή από σπασμένα θραύσματα του τροχού, τυχαιά επαφή με τον τροχό και σπινθήρες που μπορούν να προκαλέσουν την ανάφλεξη ρουχισμού.
4. **Οι τροχοί πρέπει να χρησιμοποιούνται μόνο στις προβλεπόμενες εφαρμογές. Για παράδειγμα: μη λειάνετε με την πλευρική επιφάνεια του τροχού αποκοπή.** Οι τροχοί λείανσης κοπής προορίζονται για περιφερειακή λείανση, η εφαρμογή πλευρικών δυνάμεων σε αυτούς τους τροχούς μπορεί να προκαλέσει τη θραύση τους.
5. **Να χρησιμοποιείτε πάντα φλάντζες τροχών που δεν έχουν υποστεί βλάβη και είναι κατάλληλου μεγέθους και σχήματος για τον επιλεγμένο τροχό.** Οι κατάλληλες φλάντζες τροχών υποστηρίζουν τους τροχούς και μειώνουν επομένως την πιθανότητα θραύσης τους. Οι φλάντζες των τροχών κοπής μπορεί να διαφέρουν από τις φλάντζες των τροχών λείανσης.
6. **Μη χρησιμοποιείτε φθαρμένους τροχούς από μεγαλύτερα ηλεκτρικά εργαλεία.** Ένας τροχός που προορίζεται για χρήση με ένα μεγαλύτερο ηλεκτρικό εργαλείο δεν είναι κατάλληλος για την υψηλότερη ταχύτητα ενός μικρότερου εργαλείου και μπορεί να υποστεί θραύση.

Επιπλέον προειδοποιήσεις ασφαλείας ειδικά για εργασίες λειαντικής αποκοπής:

1. **Μην προκαλείτε «μάγκωμα» του τροχού κοπής και μην ασκείτε υπερβολική πίεση. Μην επιχειρείτε να δημιουργήσετε τομή υπερβολικού βάθους.** Η άσκηση υπερβολικής δύναμης στον τροχό αυξάνει το φορτίο και τη δεκτικότητα σε συστροφή ή εμπλοκή του τροχού εντός της τομής και την πιθανότητα κλοτσήματος ή θραύσης του τροχού.
2. **Μην ευθυγραμμίζετε το σώμα σας μπροστά ή πίσω από τον περιστρεφόμενο τροχό.** Όταν ο τροχός, στο σημείο εργασίας, κινείται απομακρυνόμενος από το σώμα σας, τυχόν κλοτσημάτα μπορεί να κατευθύνει τον περιστρεφόμενο τροχό και το ηλεκτρικό εργαλείο προς το μέρος σας.

3. Σε περίπτωση εμπλοκής του τροχού ή διακοπής της εργασίας για τη δημιουργία τομής για οποιοδήποτε λόγο, απενεργοποιήστε το ηλεκτρικό εργαλείο και κρατήστε το ακίνητο, έως ότου ο τροχός ακινητοποιηθεί πλήρως. Μην επιχειρήσετε ποτέ να αφαιρέσετε τον τροχό κοπής από την τομή ενώ ο τροχός κινείται, διότι μπορεί να παρουσιαστεί κλότσημα. Ερευνήστε και λάβετε διορθωτικά μέτρα για να εξαλειφθεί η αιτία εμπλοκής του τροχού.
4. Μην αναλάβετε την εργασία κοπής στο τεμάχιο εργασίας. Αφήστε τον τροχό να αποκτήσει μέγιστη ταχύτητα και επανεισάγετε το δίσκο στην τομή με προσοχή. Ο τροχός μπορεί να παρουσιάσει εμπλοκή, αναπήδηση ή κλότσημα αν ενεργοποιηθεί το ηλεκτρικό εργαλείο εντός του τεμαχίου εργασίας.
5. Να στηρίζετε τα φατνώματα ή οποιοδήποτε υπερμέγεθες τεμάχιο εργασίας ώστε να ελαχιστοποιηθεί ο κίνδυνος σύσφιγξης και κλοτσήματος του τροχού. Τα μεγάλα τεμάχια εργασίας τείνουν να παρουσιάζουν κάμψη προς τα κάτω λόγω του βάρους τους. Πρέπει να τοποθετούνται υποστηρίγματα κάτω από το τεμάχιο εργασίας κοντά στη γραμμή κοπής και κοντά στο άκρο του τεμαχίου εργασίας σε αμφοτέρες τις πλευρές του τροχού.
6. Να είστε ιδιαίτερα προσεκτικοί όταν δημιουργείτε μια «τομή-κοιλότητα» σε υπάρχοντες τοίχους ή άλλες τυφλές περιοχές. Ο προεξέχων τροχός μπορεί να κόψει σωλήνες αερίου ή ύδρευσης, ηλεκτρικές καλωδιώσεις ή αντικείμενα που μπορούν να προκαλέσουν κλότσημα.
3. Προσέξτε ώστε να μην προκαλέσετε βλάβη στην άτρακτο, στη φλάντζες (ιδιαίτερα στην επιφάνεια εγκατάστασης) ή στο παζιμάδι. Τυχόν βλάβη στα συγκεκριμένα μέρη θα μπορούσε να καταλήξει σε θραύση του τροχού.
4. Φροντίστε ο τροχός να μην έρχεται σε επαφή με το τεμάχιο εργασίας πριν από την ενεργοποίηση του διακόπτη.
5. Πριν από τη χρήση του τροχού πάνω σε πραγματικό τεμάχιο εργασίας, αφήστε τον σε λειτουργία για μικρό χρονικό διάστημα. Παρατηρήστε αν υπάρχουν δονήσεις ή ταλάντευση που υποδηλώνουν κακή εγκατάσταση ή τροχό με κακή ισορροπία.
6. Χρησιμοποιήστε την προκαθορισμένη επιφάνεια του τροχού για να εκτελέσετε την εργασία λείανσης.
7. Μην αφήνετε το εργαλείο αναμμένο. Χειρίζεστε το εργαλείο μόνο όταν το κρατάτε στο χέρι.
8. Μην αγγίζετε το τεμάχιο εργασίας αμέσως μετά τη λειτουργία. Μπορεί να είναι υπερβολικά καυτό και να προκαλέσει έγκαυμα.
9. Μελετήστε τις οδηγίες του κατασκευαστή για σωστή τοποθέτηση και χρήση των τροχών. Χρησιμοποιήστε και αποθηκεύστε τους τροχούς με φρονιτιά.
10. Μην χρησιμοποιείτε ξεχωριστές συστολές ή προσαρμογείς για να προσαρμόσετε λειαντικούς τροχούς με μεγάλη από προσαρμογής.
11. Χρησιμοποιείτε φλάντζες κατάλληλες για το εργαλείο.
12. Για εργαλεία στα οποία πρόκειται να τοποθετηθεί τροχός με οπή με σπειρίωμα, σιγουρευτείτε ότι το σπειρίωμα στον τροχό έχει επαρκές μήκος να δεχτεί το μήκος της ατράκτου.
13. Ελέγξτε ότι το τεμάχιο εργασίας υποστηρίζεται σταθερά.
14. Προσέξτε ότι ο τροχός συνεχίζει να περιστρέφεται ακόμη και αφού το εργαλείο έχει σβήσει.
15. Αν το μέρος εργασίας είναι πολύ ζεστό και υγρό, ή υπάρχει πολύ αβίαση σκόνη, χρησιμοποιήστε ένα ασφαλειοδιακόπτη βραχυκυκλώματος (30 mA) για να είστε σίγουροι για ασφαλή λειτουργία.
16. Μην χρησιμοποιείτε το εργαλείο σε κανένα υλικό που περιέχει αμίαντο.
17. Όταν χρησιμοποιείτε τροχό κοπής, να εργάζεστε πάντα με προφυλακτήρα τροχού συλλογής σκόνης όπως απαιτείται από τους τοπικούς κανονισμούς.
18. Οι δίσκοι κοπής δεν πρέπει να υπόκεινται σε πλευρική πίεση.
19. Μην χρησιμοποιείτε υφασμάτινα γάντια εργασίας κατά τη λειτουργία. Οι ίνες από τα υφασμάτινα γάντια μπορεί να εισέλθουν στο εργαλείο, γεγονός που προκαλεί το σπάσιμο του εργαλείου.

Προειδοποιήσεις ασφαλείας ειδικά για εργασίες γυαλόχαρτισματος:

1. Μην χρησιμοποιείτε υπερβολικά μεγάλους μήκους δίσκους γυαλόχαρτισματος. Ακολουθήστε τις συστάσεις του κατασκευαστή, όταν επιλέγετε γυαλόχαρτο. Ένα γυαλόχαρτο μεγαλύτερο μεγέθους που εκτείνεται πέρα από τα άκρα της βάσης υποστήριξης γυαλόχαρτισματος εγκυμονεί κίνδυνο τεμαχισμού και μπορεί να προκαλέσει σκάλωμα, σχίσσιμο του δίσκου ή κλότσημα.

Προειδοποιήσεις ασφαλείας ειδικά για εργασίες καθαρισμού με συρματόβουρτα:

1. Να είστε προσεκτικοί επειδή συρματίνες τριχές εκτινάσσονται από τη βούρτσα ακόμη και κάτω από συνήθεις συνθήκες λειτουργίας. Μην ασκείτε υπερβολική δύναμη στα σύρματα εφαρμόζοντας υπερβολικό φορτίο στη βούρτσα. Οι συρματίνες τριχές μπορούν να διαπεράσουν ελαφρό ρουχισμό ή/και το δέρμα με ευκολία.
2. Αν συνιστάται η χρήση προφυλακτήρα για εργασίες καθαρισμού με συρματόβουρτα, μην επιτρέψετε οποιαδήποτε παρεμπόδιση της λειτουργίας του συρματίνο τροχού ή της βούρτσας από τον προφυλακτήρα. Η διάμετρος ενός συρματίνο τροχού ή βούρτσας μπορεί να αυξηθεί λόγω του φόρτου εργασίας και της φυγοκέντρο δύναμης.

Πρόσθετες προειδοποιήσεις ασφάλειας:

1. Όταν χρησιμοποιείτε τροχούς λείανσης με χαμηλό κέντρο, φροντίστε οι τροχοί να φέρουν ενίσχυση από ίνες γυαλιού μόνο.
2. Μην ΧΡΗΣΙΜΟΠΟΙΕΙΤΕ ΠΟΤΕ κωδωνοειδείς τροχούς λείανσης πέτρας με αυτόν το λειαντήρα. Αυτός ο λειαντήρας δεν έχει σχεδιαστεί για αυτούς τους τύπους τροχών και η χρήση ενός τέτοιου προϊόντος μπορεί να προκαλέσει σοβαρό τραυματισμό.

ΦΥΛΑΞΤΕ ΑΥΤΕΣ ΤΙΣ ΟΔΗΓΙΕΣ.

▲ΠΡΟΕΙΔΟΠΟΙΗΣΗ: ΜΗΝ επιτρέψετε στην άνεση ή στην εξοικειώσή σας με το προϊόν (που αποκτήθηκε από επανειλημμένη χρήση) να αντικαταστήσει την αυστηρή τήρηση των κανόνων ασφαλείας που παρόντος εργαλείου. Η ΛΑΝΘΑΣΜΕΝΗ ΧΡΗΣΗ ή η αμέλεια να ακολουθηθούν οι κανόνες ασφαλείας που διατυπώνονται στο παρόν εγχειρίδιο οδηγιών μπορεί να προκαλέσει σοβαρό προσωπικό τραυματισμό.

ΠΕΡΙΓΡΑΦΗ ΛΕΙΤΟΥΡΓΙΑΣ

▲ ΠΡΟΣΟΧΗ: Να βεβαιώνετε πάντα ότι το εργαλείο είναι σβηστό και αποσυνδεδεμένο από την ηλεκτρική παροχή πριν ρυθμίσετε ή ελέγχετε κάποια λειτουργία του.

Εξάρτημα κλειδώματος άξονα

Πιάστε το εξάρτημα κλειδώματος άξονα για να εμποδίσετε την περιστροφή της ατράκτου όταν τοποθετείτε ή αφαιρείτε εξάρτημα.

► **Εικ.1:** 1. Εξάρτημα κλειδώματος άξονα

ΕΙΔΟΠΟΙΗΣΗ: Μην ενεργοποιείτε ποτέ το εξάρτημα κλειδώματος άξονα όταν κινείται η άτρακτος. Μπορεί να προκληθεί βλάβη στο εργαλείο.

Δράση διακόπτη

▲ ΠΡΟΣΟΧΗ: Πριν συνδέσετε το εργαλείο στο ρεύμα, να ελέγχετε πάντα να δείτε ότι ο κυλιόμενος διακόπτης ενεργοποιείται κανονικά και επιστρέφει στη θέση «ANENERGO» όταν αφήνετε το πίσω μέρος του κυλιόμενου διακόπτη.

▲ ΠΡΟΣΟΧΗ: Ο διακόπτης μπορεί να ασφαλιστεί στη θέση «ENERGO» για πιο άνετη λειτουργία από τη χρήση κατά τη διάρκεια παρατεταμένης χρήσης. Να είστε προσεκτικοί όταν ασφαλίσετε το εργαλείο στη θέση «ENERGO» και να κρατάτε καλά το εργαλείο.

Για να ξεκινήσει το εργαλείο, ολισθήστε το κυλιόμενο διακόπτη προς τη θέση «I (ENERGO)» πιέζοντας το πίσω μέρος του κυλιόμενου διακόπτη. Για συνεχή λειτουργία, πιάστε το μπροστινό μέρος του κυλιόμενου διακόπτη για να τον ασφαλίσετε.

Για να σταματήσει το εργαλείο, πιάστε το πίσω μέρος του κυλιόμενου διακόπτη και κατόπιν ολισθήστε τον στη θέση «O (ANENERGO)».

► **Εικ.2:** 1. Κυλιόμενος διακόπτης

Προστασία από αθέλγητη επανεκκίνηση

Το εργαλείο δεν ξεκινάει όταν ο διακόπτης είναι κλειδωμένος ακόμη και όταν το εργαλείο είναι συνδεδεμένο. Για να ακυρώσετε την προστασία ακούσιας επανεκκίνησης, επαναφέρατε το διακόπτη ισχύος στη θέση απενεργοποίησης.

ΠΑΡΑΤΗΡΗΣΗ: Περιμένετε περισσότερο από ένα δευτερόλεπτο πριν επανεκκινήσετε το εργαλείο όταν τεθεί σε λειτουργία η διάταξη προστασίας από αθέλγητη επανεκκίνηση.

ΠΑΡΑΤΗΡΗΣΗ: Όταν το εργαλείο υπερθερμανθεί και η θερμοκρασία του φτάσει ένα ορισμένο επίπεδο, η λειτουργία του εργαλείου σταματάει αυτόματα. Σε αυτή την κατάσταση, αφήστε το εργαλείο να ψυχθεί πριν ενεργοποιήσετε ξανά το εργαλείο.

Δυνατότητα ομαλής έναρξης

Η δυνατότητα ομαλής έναρξης καταστέλλει την αιφνίδια έναρξη.

ΣΥΝΑΡΜΟΛΟΓΗΣΗ

▲ ΠΡΟΣΟΧΗ: Να βεβαιώνετε πάντα ότι το εργαλείο είναι σβηστό και αποσυνδεδεμένο από την ηλεκτρική παροχή πριν εκτελέσετε οποιαδήποτε εργασία σε αυτό.

Τοποθέτηση πλάγιας λαβής (λαβή)

▲ ΠΡΟΣΟΧΗ: Πριν από τη λειτουργία, να βεβαιώνετε πάντα ότι η πλάγια λαβή έχει τοποθετηθεί με ασφάλεια.

Βιδώστε την πλάγια λαβή με ασφάλεια στη θέση του εργαλείου όπως απεικονίζεται στην εικόνα.

► **Εικ.3**

Τοποθέτηση ή αφαίρεση του προφυλακτήρα τροχού (Για τροχό χαμηλωμένου κέντρου, δίσκο λείανσης, εύκαμπτο τροχό, συρμάτινη βούρτσα σχήματος τροχού / τροχό λείανσης κοπής, διαμαντοτροχό)

▲ ΠΡΟΕΙΔΟΠΟΙΗΣΗ: Όταν χρησιμοποιείτε τροχό χαμηλωμένου κέντρου, δίσκο λείανσης, εύκαμπτο τροχό ή συρμάτινη βούρτσα σχήματος τροχού, ο προφυλακτήρας τροχού πρέπει να τοποθετηθεί στο εργαλείο ώστε η κλειστή πλευρά του προφυλακτήρα να είναι πάντα στραμμένη προς τον χειριστή.

▲ ΠΡΟΕΙΔΟΠΟΙΗΣΗ: Όταν χρησιμοποιείτε τροχό κοπής / διαμαντοτροχό λείανσης, φροντίστε να χρησιμοποιείτε μόνο τον ειδικό προφυλακτήρα τροχού που έχει σχεδιαστεί για χρήση με τροχούς κοπής.

(Σε μερικές ευρωπαϊκές χώρες, όταν χρησιμοποιείται διαμαντοτροχός, μπορεί να χρησιμοποιηθεί ο συνηθισμένος προφυλακτήρας. Τηρήστε τους κανονισμούς στη χώρα σας.)

Τοποθετήστε τον προφυλακτήρα τροχού με τις προεξοχές στη ζώνη του προφυλακτήρα τροχού ευθυγραμμισμένες με τις εγκοπές στο κιβώτιο έδρασης. Μετά, περιστρέψτε το προφυλακτήρα τροχού σε γωνία ώστε να μπορεί να προστατεύει το χειριστή ανάλογα με την εργασία. Φροντίστε να σφίξετε τη βίδα με ασφάλεια.

Για να αφαιρέσετε τον προφυλακτήρα τροχού, ακολουθήστε τη διαδικασία εγκατάστασης με αντίστροφη σειρά.
► **Εικ.4:** 1. Προφυλακτήρας τροχού 2. Κιβώτιο έδρασης 3. Βίδα

Τοποθέτηση ή αφαίρεση τροχού χαμηλωμένου κέντρου ή δίσκου λείανσης

Προαιρετικό εξάρτημα

▲ ΠΡΟΕΙΔΟΠΟΙΗΣΗ: Όταν χρησιμοποιείτε τροχό χαμηλωμένου κέντρου ή δίσκο λείανσης, ο προφυλακτήρας τροχού πρέπει να τοποθετηθεί στο εργαλείο ώστε η κλειστή πλευρά του προφυλακτήρα να είναι πάντα στραμμένη προς τον χειριστή.

▲ ΠΡΟΣΟΧΗ: Βεβαιωθείτε ότι το τμήμα στερέωσης της εσωτερικής φλάντζας ταιριάζει καλά στην εσωτερική διάμετρο του τροχού χαμηλωμένου κέντρου / δίσκου λείανσης. Η στερέωση της εσωτερικής φλάντζας στη λανθασμένη πλευρά μπορεί να οδηγήσει σε επικίνδυνο κραδασμό.

Στερεώστε την εσωτερική φλάντζα πάνω στην άτρακτο. Βεβαιωθείτε να προσαρμόσετε το εγχαραγμένο μέρος της εσωτερικής φλάντζας επάνω στο ευθύ μέρος στο κάτω μέρος της άτρακτου.

Εφαρμόστε τον τροχό χαμηλωμένου κέντρου / δίσκο λείανσης στην εσωτερική φλάντζα και βιδώστε το παξιμάδι ασφάλισης πάνω στην άτρακτο.

► **Εικ.5:** 1. Παξιμάδι ασφάλισης 2. Τροχός χαμηλωμένου κέντρου 3. Εσωτερική φλάντζα 4. Τμήμα στερέωσης

Για να σφίξετε το παξιμάδι ασφάλισης, πατήστε το εξάρτημα κλειδώματος άξονα σταθερά έτσι ώστε να μην μπορεί να περιστραφεί η άτρακτος, μετά χρησιμοποιήστε το κλειδί παξιμαδιού ασφάλισης και σφίξτε με ασφάλεια δεξιόστροφα.

► **Εικ.6:** 1. Κλειδί παξιμαδιού ασφάλισης 2. Εξάρτημα κλειδώματος άξονα

Για να αφαιρέσετε τον τροχό, ακολουθήστε τη διαδικασία τοποθέτησης με αντίστροφη σειρά.

Υπερφλάντζα

Προαιρετικό εξάρτημα

Μόνο για εργαλεία με σπείρωμα άτρακτου M14.

Μοντέλα με το γράμμα F διαθέτουν υπερφλάντζα ως στάνταρ εξοπλισμό. Απαιτείται μόνο το 1/3 της προστάθειας για την απασφάλιση του παξιμαδιού ασφάλισης συγκριτικά με τον συμβατικό τύπο.

Τοποθέτηση ή αφαίρεση εύκαμπτου τροχού

Προαιρετικό εξάρτημα

▲ ΠΡΟΕΙΔΟΠΟΙΗΣΗ: Να χρησιμοποιείτε πάντα τον παρεχόμενο προφυλακτήρα όταν ο εύκαμπος τροχός βρίσκεται στο εργαλείο. Ο τροχός μπορεί να υποστεί θραύση κατά τη χρήση και ο προφυλακτήρας διευκολύνει στη μείωση των πιθανοτήτων πρόκλησης τραυματισμού.

► **Εικ.7:** 1. Παξιμάδι ασφάλισης 2. Εύκαμπτος τροχός 3. Πέλημα υποστήριξης 4. Εσωτερική φλάντζα

Να ακολουθείτε τις οδηγίες για τον τροχό χαμηλωμένου κέντρου αλλά να χρησιμοποιείτε και το πέλημα υποστήριξης επάνω από τον τροχό. Δείτε τη σειρά συναρμολόγησης στη σελίδα των εξαρτημάτων του παρόντος εγχειριδίου.

Τοποθέτηση ή αφαίρεση δίσκου λείανσης

Προαιρετικό εξάρτημα

► **Εικ.8:** 1. Παξιμάδι ασφάλισης τριψίματος 2. Δίσκος λείανσης 3. Ελαστικό πέλημα

1. Στερεώστε το ελαστικό πέλημα πάνω στην άτρακτο.

2. Τοποθετήστε το δίσκο επάνω στο ελαστικό πέλημα και βιδώστε το παξιμάδι ασφάλισης τριψίματος πάνω στην άτρακτο.

3. Κρατήστε την άτρακτο με το εξάρτημα κλειδώματος άξονα και σφίξτε καλά το παξιμάδι ασφάλισης τριψίματος δεξιόστροφα με το κλειδί παξιμαδιού ασφάλισης.

Για να αφαιρέσετε το δίσκο, ακολουθήστε τη διαδικασία τοποθέτησης με αντίστροφη σειρά.

ΠΑΡΑΤΗΡΗΣΗ: Να χρησιμοποιείτε τα εξάρτηματα εργαλείου τριψίματος που καθορίζονται στο παρόν εγχειρίδιο. Αυτά πρέπει να αγοράζονται ξεχωριστά.

ΛΕΙΤΟΥΡΓΙΑ

▲ ΠΡΟΕΙΔΟΠΟΙΗΣΗ: Δεν θα πρέπει ποτέ να εξασκείτε υπερβολική δύναμη στο εργαλείο. Το βάρος του εργαλείου εφαρμόζει αρκετή πίεση. Ο εξαναγκασμός και η υπερβολική πίεση μπορεί να προκαλέσουν επικίνδυνο σπάσιμο του τροχού.

▲ ΠΡΟΕΙΔΟΠΟΙΗΣΗ: Να αντικαθιστάτε ΠΑΝΤΑ τον τροχό αν το εργαλείο πέσει κάτω κατά τη λείανση.

▲ ΠΡΟΕΙΔΟΠΟΙΗΣΗ: Μη χτυπάτε ΠΟΤΕ το δίσκο λείανσης ή τον τροχό επάνω στο τεμάχιο εργασίας.

▲ ΠΡΟΕΙΔΟΠΟΙΗΣΗ: Αποφύγετε τις αναπηδήσεις και σιμπήματα του τροχού, ιδιαίτερα όταν εργάζεστε πάνω σε γωνίες, αιχμηρές άκρες κλπ. Αυτά μπορεί να προκαλέσουν απώλεια ελέγχου και τίναγμα προς τα πίσω.

▲ ΠΡΟΕΙΔΟΠΟΙΗΣΗ: Μη χρησιμοποιείτε ΠΟΤΕ το εργαλείο με λάμες κοπής ξύλου και λάμα πριονιού. Τέτοιες λάμες όταν χρησιμοποιούνται συχνά στον λειαντή προκαλούν απώλεια ελέγχου από τα τινάγματα και οδηγούν σε προσωπικό τραυματισμό.

▲ ΠΡΟΣΟΧΗ: Μη θέτετε ποτέ το εργαλείο σε λειτουργία όταν βρισκείται σε επαφή με το τεμάχιο εργασίας επειδή μπορεί να προκληθεί τραυματισμός του χειριστή.

▲ ΠΡΟΣΟΧΗ: Κατά τη διάρκεια της λειτουργίας, να φοράτε πάντα προστατευτικά γυαλιά ή προσωπίδα.

▲ ΠΡΟΣΟΧΗ: Μετά τη λειτουργία, να σβήνετε πάντα το εργαλείο και να περιμένετε μέχρι ο τροχός να σταματήσει τελείως πριν αφήσετε κάτω το εργαλείο.

▲ ΠΡΟΣΟΧΗ: Να κρατάτε ΠΑΝΤΑ το εργαλείο σταθερά με το ένα χέρι στο περίβλημα και με το άλλο χέρι στην πλάγια λαβή (λαβή).

Λειτουργία τροχίσματος και λείανσης

► Εικ.9

Θέστε το εργαλείο σε λειτουργία και μετά εφαρμόστε τον τροχό ή το δίσκο στο τεμάχιο εργασίας.

Σε γενικές γραμμές, να κρατάτε την άκρη του τροχού ή του δίσκου σε γωνία περίπου 15 μοιρών ως προς την επιφάνεια του τεμαχίου εργασίας.

Κατά τη διάρκεια της περιόδου στρωσίματος ενός καινούργιου τροχού, μη χειρίζεστε τον λειαντή προς την εμπρόσθια κατεύθυνση επειδή θα προκαλέσει κοπή του τεμαχίου εργασίας. Μόλις στογγυλοποιηθεί η άκρη του τροχού από τη χρήση, ο τροχός μπορεί να χρησιμοποιηθεί προς την εμπρόσθια και οπίσθια κατεύθυνση.

Λειτουργία με τροχό λείανσης κοπής / διαμαντοτροχό

Προαιρετικό εξάρτημα

▲ ΠΡΟΕΙΔΟΠΟΙΗΣΗ: Όταν χρησιμοποιείτε τροχό κοπής / διαμαντοτροχό λείανσης, φροντίστε να χρησιμοποιείτε μόνο τον ειδικό προφυλακτήρα τροχού που έχει σχεδιαστεί για χρήση με τροχούς κοπής.

(Σε μερικές ευρωπαϊκές χώρες, όταν χρησιμοποιείται διαμαντοτροχός, μπορεί να χρησιμοποιηθεί ο συνηθισμένος προφυλακτήρας. Τηρήστε τους κανονισμούς στη χώρα σας.)

▲ ΠΡΟΕΙΔΟΠΟΙΗΣΗ: Μην χρησιμοποιείτε ΠΟΤΕ τροχό κοπής για πλευρική λείανση.

▲ ΠΡΟΕΙΔΟΠΟΙΗΣΗ: Μην προκαλείτε «μάγκωμα» του τροχού κοπής και μην ασκείτε υπερβολική πίεση. Μην επιχειρείτε να δημιουργήσετε τομή υπερβολικού βάθους. Η άσκηση υπερβολικής δύναμης στον τροχό αυξάνει το φορτίο και τη δεκτικότητα σε συστροφή ή εμπλοκή του τροχού εντός της κοπής και την πιθανότητα κλοστήματος ή θραύσης του τροχού όπως και υπερθέρμανσης του κινητήρα.

▲ ΠΡΟΕΙΔΟΠΟΙΗΣΗ: Μην αρχίσετε την εργασία κοπής στο τεμάχιο εργασίας. Περιμένετε έως ότου ο τροχός αποκτήσει πλήρη ταχύτητα και φροντίστε για την εισαγωγή του με προσοχή στο εσωτερικό της κοπής μετακινώντας το εργαλείο προς τα εμπρός πάνω στην επιφάνεια του τεμαχίου εργασίας. Ο τροχός μπορεί να παρουσιάσει εμπλοκή, αναπήδηση ή ανάκρουση αν ενεργοποιήσετε το ηλεκτρικό εργαλείο ενώ βρίσκεται εντός του τεμαχίου εργασίας.

▲ ΠΡΟΕΙΔΟΠΟΙΗΣΗ: Στη διάρκεια των εργασιών κοπής, μην αλλάζετε ποτέ τη γωνία του τροχού. Αν ασκήσετε πλευρική πίεση στον τροχό κοπής (όπως στη λείανση), θα προκληθεί ράγισμα και θραύση του τροχού, με αποτέλεσμα σοβαρό τραυματισμό.

▲ ΠΡΟΕΙΔΟΠΟΙΗΣΗ: Απαιτείται χειρισμός ενός διαμαντοτροχού κάθετα προς το υλικό που πρόκειται να κοπεί.

► **Εικ.10:** 1. Παξιμάδι ασφάλισης 2. Τροχός λείανσης κοπής / διαμαντοτροχός 3. Εσωτερική φλάντζα 4. Προφυλακτήρας τροχού για τροχό λείανσης κοπής / διαμαντοτροχό

Όσον αφορά την τοποθέτηση, ακολουθήστε τις οδηγίες για τον τροχό χαμηλωμένου κέντρου.

Η κατεύθυνση στερέωσης του παξιμαδιού ασφάλισης και της εσωτερικής φλάντζας διαφέρει ανάλογα με τον τύπο και το πάχος τροχού.

Ανατρέξτε στις παρακάτω τιμές.

Όταν τοποθετείτε τον τροχό λείανσης κοπής.

► **Εικ.11:** 1. Παξιμάδι ασφάλισης 2. Τροχός λείανσης κοπής (πάχος μικρότερο από 4 mm) 3. Τροχός λείανσης κοπής (4 mm ή μεγαλύτερο πάχους) 4. Εσωτερική φλάντζα

Όταν τοποθετείτε τον διαμαντοτροχό:

► **Εικ.12:** 1. Παξιμάδι ασφάλισης 2. Διαμαντοτροχός (πάχος μικρότερο από 4 mm) 3. Διαμαντοτροχός (4 mm ή μεγαλύτερο πάχους) 4. Εσωτερική φλάντζα

Λειτουργία με συρμάτινη βούρτσα σχήματος κούπας

Προαιρετικό εξάρτημα

▲ ΠΡΟΣΟΧΗ: Ελέγξτε τη λειτουργία της βούρτσας θέτοντας το εργαλείο σε λειτουργία χωρίς φορτίο, φροντίζοντας να μην υπάρχει κανένας μπροστά ή σε ευθεία γραμμή με τη βούρτσα.

▲ ΠΡΟΣΟΧΗ: Μην χρησιμοποιείτε βούρτσα η οποία έχει υποστεί ζημιά ή η οποία δεν είναι κατάλληλα ζυγοσταθμισμένη. Η χρήση βούρτσας που έχει υποστεί ζημιά θα μπορούσε να αυξήσει τον κίνδυνο τραυματισμού λόγω επαφής με κομμένα τεμάχια συρμάτων της βούρτσας.

► **Εικ.13:** 1. Συρμάτινη βούρτσα σχήματος κούπας

Αποσυνδέστε το εργαλείο και τοποθετήστε το ανάποδα ώστε να διευκολυνθείτε στην πρόσβαση της ατράκτου. Αφαιρέστε οποιαδήποτε εξαρτήματα από την άτρακτο. Τοποθετήστε τη συρμάτινη βούρτσα σχήματος κούπας στην άτρακτο και σφίξτε με το παρεχόμενο κλειδί.

ΕΙΔΟΠΟΙΗΣΗ: Φροντίστε να μην ασκείτε πολύ μεγάλη πίεση η οποία προκαλεί υπερβολικό λύγισμα των συρμάτων κατά τη χρήση της βούρτσας. Μπορεί να προκαλέσει πρόωρο σπάσιμο.

Λειτουργία με συρμάτινη βούρτσα σχήματος τροχού

Προαιρετικό εξάρτημα

▲ΠΡΟΣΟΧΗ: Ελέγξτε τη λειτουργία της συρμάτινης βούρτσας σχήματος τροχού θέτοντας το εργαλείο σε λειτουργία χωρίς φορτίο, φροντίζοντας να μην υπάρχει κανείς μπροστά ή σε ευθεία γραμμή με τη βούρτσα.

▲ΠΡΟΣΟΧΗ: Μη χρησιμοποιείτε συρμάτινη βούρτσα σχήματος τροχού η οποία έχει υποστεί ζημιά ή η οποία δεν είναι κατάλληλα ζυγοσταθμισμένη. Η χρήση συρμάτινης βούρτσας σχήματος τροχού που έχει υποστεί ζημιά θα μπορούσε να αυξήσει τον κίνδυνο τραυματισμού λόγω επαφής με κομμένα τεμάχια συρμάτων.

▲ΠΡΟΣΟΧΗ: Να χρησιμοποιείτε ΠΑΝΤΑ προφυλακτήρα με τις συρμάτινες βούρτσες σχήματος τροχού, φροντίζοντας ώστε η διάμετρος του τροχού να επιτρέπει την εφαρμογή του μέσα στον προφυλακτήρα. Ο τροχός μπορεί να υποστεί θραύση κατά τη χρήση και ο προφυλακτήρας διευκολύνει στη μείωση των πιθανοτήτων πρόκλησης τραυματισμού.

► **Εικ.14:** 1. Συρμάτινη βούρτσα σχήματος τροχού

Αποσυνδέστε το εργαλείο και τοποθετήστε το ανάποδα ώστε να διευκολυνθείτε στην πρόσβαση της ατράκτου. Αφαιρέστε οποιαδήποτε εξαρτήματα από την ατράκτο. Τοποθετήστε τη συρμάτινη βούρτσα σχήματος τροχού στην ατράκτο και σφίξτε με τα κλειδιά.

ΕΙΔΟΠΟΙΗΣΗ: Φροντίστε να μην ασκείτε πολύ μεγάλη πίεση η οποία προκαλεί υπερβολικό λύγισμα των συρμάτων κατά τη χρήση της συρμάτινης βούρτσας σχήματος τροχού. Μπορεί να προκαλέσει πρόωρο σπάσιμο.

ΣΥΝΤΗΡΗΣΗ

▲ΠΡΟΣΟΧΗ: Να βεβαιώνεστε πάντα ότι το εργαλείο είναι σβηστό και αποσυνδεδεμένο από την ηλεκτρική παροχή πριν εκτελέσετε οποιαδήποτε εργασία επιθεώρησης ή συντήρησης σε αυτό.

ΕΙΔΟΠΟΙΗΣΗ: Μην χρησιμοποιείτε ποτέ βενζίνη, πετρελαϊκό αιθέρα, διαλυτικό, αλκοόλη ή παρόμοιες ουσίες. Μπορεί να προκληθεί αποχρωματισμός, παραμόρφωση ή ρωγμές.

Καθαρισμός ανοιγμάτων εξαερισμού

Το εργαλείο και τα ανοίγματα εξαερισμού του πρέπει να διατηρούνται καθαρά. Να καθαρίζετε τακτικά τα ανοίγματα εξαερισμού του εργαλείου ή όταν αυτά αρχίσουν να φράσσονται.

► **Εικ.15:** 1. Ανοίγμα εξόδου αέρα 2. Ανοίγμα εισόδου αέρα

Για τη διατήρηση της ΑΣΦΑΛΕΙΑΣ και ΑΞΙΟΠΙΣΤΙΑΣ του προϊόντος, οι επισκευές και οποιαδήποτε άλλη εργασία συντήρησης ή ρύθμισης πρέπει να εκτελούνται από εξουσιοδοτημένα ή εργοστασιακά κέντρα εξυπηρέτησης της Makita, χρησιμοποιώντας πάντοτε ανταλλακτικά της Makita.

ΠΡΟΑΙΡΕΤΙΚΑ ΕΞΑΡΤΗΜΑΤΑ

⚠ ΠΡΟΣΟΧΗ: Αυτά τα εξαρτήματα ή προσαρτήματα συνιστώνται για χρήση με το εργαλείο Makita που περιγράφτηκε στις οδηγίες αυτές. Η χρήση οποιωνδήποτε άλλων εξαρτημάτων ή προσαρτημάτων μπορεί να προκαλέσει κίνδυνο τραυματισμού σε άτομα. Να χρησιμοποιείτε τα εξαρτήματα ή προσαρτήματα μόνο για την χρήση που προορίζονται.

Εάν χρειάζεστε οποιαδήποτε βοήθεια για περισσότερες πληροφορίες σε σχέση με αυτά τα εξαρτήματα, αποτανθείτε στο τοπικό σας κέντρο εξυπηρέτησης Makita.

► **Εικ.16**

-	Μοντέλο 115 mm	Μοντέλο 125 mm
1	Λαβή 36	
2	Προφυλακτήρας τροχού (για τροχό λείανσης)	
3	Εσωτερική φλάντζα / Υπερφλάντζα	
4	Τροχός χαμηλωμένου κέντρου / Δίσκος λείανσης	
5	Παξιμάδι ασφάλισης	
6	Πέλμα υποστήριξης	
7	Εύκαμπτος τροχός	
8	Ελαστικό πέλμα 100	Ελαστικό πέλμα 115
9	Δίσκος λείανσης	
10	Παξιμάδι ασφάλισης τριψίματος	
11	Συρμάτινη βούρτσα σχήματος τροχού	
12	Συρμάτινη βούρτσα σχήματος κούπας	
13	Προφυλακτήρας τροχού (για τροχό κοπής) *1	
14	Τροχός λείανσης κοπής / Διαμαντοτροχός	
-	Κλειδί παξιμαδιού ασφάλισης	

ΠΑΡΑΤΗΡΗΣΗ: *1 Σε μερικές ευρωπαϊκές χώρες, όταν χρησιμοποιείται διαμαντοτροχός, μπορεί να χρησιμοποιηθεί ο συνηθισμένος προφυλακτήρας αντί για τον ειδικό προφυλακτήρα που καλύπτει και τις δύο πλευρές του τροχού. Τηρήστε τους κανονισμούς στη χώρα σας.

ΠΑΡΑΤΗΡΗΣΗ: Μερικά στοιχεία στη λίστα μπορεί να συμπεριλαμβάνονται στη συσκευασία εργαλείου ως στάνταρ εξαρτήματα. Μπορεί να διαφέρουν ανάλογα με τη χώρα.

TEKNİK ÖZELLİKLER

Model:	9557HNR	9558HNR
Disk çapı	115 mm	125 mm
Maks. disk kalınlığı	7,2 mm	
Mil dişi	M14 veya 5/8" (ülkeye özgü)	
Anma hızı (n)	11.000 min ⁻¹	
Toplam uzunluk	271 mm	
Net ağırlık	2,0 kg	2,1 kg
Emniyet sınıfı	□/II	

- Sürekli yapılan araştırma ve geliştirmelerden dolayı, burada belirtilen özellikler önceden bildirilmeksizin değiştirilebilir.
- Özellikler ülkeden ülkeye değişebilir.
- EPTA_Prosedürü 01/2003 uyarınca ağırlık

Kullanım amacı

Bu alet, metal ve taş malzemelerin susuz olarak taşlanması, zımparalanması ve kesilmesi amacıyla kullanılır.

Güç kaynağı

Aletin, yalnızca isim levhasında belirtilenle aynı voltajlı güç kaynağına bağlanması gerekir ve yalnızca tek fazlı AC güç kaynağıyla çalıştırılabilir. Çifte yalıtımlıdır ve topraklaması prizlerle de kullanılabilir.

Gürültü

Tipik A-ağırlıklı gürültü düzeyi (EN60745 standardına göre belirlenen):

Ses basınç seviyesi (L_{PA}): 86 dB (A)

Ses gücü düzeyi (L_{WA}): 97 dB (A)

Belirsizlik (K): 3 dB (A)

UYARI: Kulak koruyucuları takın.

Titreşim

Titreşim toplam değeri (üç eksenli vektör toplamı) (EN60745 standardına göre hesaplanan):

Model 9557HNR

Çalışma modu: yüzey taşlama

Titreşim emisyonu (a_{n,AG}): 7,5 m/s²

Belirsizlik (K) : 1,5 m/s²

Çalışma modu: disk zımparalama

Titreşim emisyonu (a_{n,DS}): 2,5 m/s²'den az

Belirsizlik (K) : 1,5 m/s²

Model 9558HNR

Çalışma modu: yüzey taşlama

Titreşim emisyonu (a_{n,AG}): 8,5m/s²

Belirsizlik (K) : 1,5 m/s²

Çalışma modu: disk zımparalama

Titreşim emisyonu (a_{n,DS}): 2,5 m/s²'den az

Belirsizlik (K) : 1,5 m/s²

NOT: Beyan edilen titreşim emisyon değeri standart test yöntemine uygun şekilde ölçülmüştür ve bir aleti bir başkasıyla karşılaştırmak için kullanılabilir.

NOT: Beyan edilen titreşim emisyon değeri bir ön maruz kalma değerlendirmesi olarak da kullanılabilir.

UYARI: Bu elektrikli aletin gerçek kullanımı sırasındaki titreşim emisyonu aletin kullanım biçimlerine bağlı olarak beyan edilen emisyon değerinden farklı olabilir.

UYARI: Gerçek kullanım koşullarındaki maruz kalmanın bir tahmini hesaplaması temelinde operatörü koruyacak güvenlik önlemlerini mutlaka belirleyin (çalışma döngüsü içerisinde aletin kapalı olduğu ve aktif durumda olmasının yanı sıra boşta çalıştığı zamanlar gibi, bütün zaman dilimleri göz önünde bulundurularak değerlendirilmelidir).

UYARI: Beyan edilen titreşim emisyon değeri bu elektrikli aletin başlıca uygulamaları için kullanılır. Ancak, bu elektrikli alet başka uygulamalar için kullanılırsa titreşim emisyon değeri farklı olabilir.

EC Uygunluk Beyanı

Sadece Avrupa ülkeleri için

Biz Makita Corporation beyan ederiz ki aşağıdaki makine(ler):

Makine Adı: Taşlama Makinası

Model No./ Tipi: 9557HNR, 9558HNR

aşağıdaki Avrupa Direktiflerine uygundur:

2006/42/EC

Aşağıdaki standartlara veya standartlaştırılmış belgelere uygun olarak imal edilmişlerdir: EN60745 2006/42/EC uyumluluğuna ilişkin teknik dosyaya şuradan ulaşılabilir:

Makita, Jan-Baptist Vinkstraat 2, 3070, Belçika 4.6.2015

Yasushi Fukaya

Yasushi Fukaya

Müdür

Makita, Jan-Baptist Vinkstraat 2, 3070, Belçika

Genel elektrikli alet güvenliği uyarıları

UYARI: Tüm güvenlik uyarılarını ve tüm talimatları okuyun. Uyarılara ve talimatlara uyulmaması elektrik şoku, yangın ve/veya ciddi yaralanmalar ile sonuçlanabilir.

Tüm uyarıları ve talimatları iletiride başvurmak için saklayın.

Uyarılardaki "elektrikli alet" terimi ile ya prizden çalışan (kordonlu) elektrikli aletiniz ya da kendi aküsü ile çalışan (kordonsuz) elektrikli aletiniz kastedilmektedir.

Taşılama güvenlik uyarıları

Taşılama, Zımparalama, Tel Fırça veya Aşındırma Kesme İşlemleri İçin Ortak Güvenlik Uyarıları:

- Bu elektrikli aletin bir taşıma, zımparalama, tel fırça veya kesme aleti olarak kullanılması amaçlanmıştır. Bu elektrikli aletle birlikte verilen tüm güvenlik uyarılarını, talimatları, resimlerini açıklamaları ve özellik tablolarını okuyun.** Aşağıda listelenen talimatların herhangi birine uyulmaması elektrik şoku, yangın ve/veya ciddi yaralanmalar ile sonuçlanabilir.
- Bu elektrikli aletle parlatma gibi işlemlerin yapılması tavsiye edilmez.** Bu elektrikli aletin tasarımına uygun olmayan işlemler tehlike oluşturabilir ve yaralanmaya neden olabilir.
- Aletin imalatçısı tarafından özel olarak tasarlanmamış ve tavsiye edilmeyen aksesuarları kullanmayın.** Bir aksesuarın yalnızca elektrikli aletinize takılabiliyor olması, onun güvenli çalışacağını garanti etmez.
- Aksesuarın anma hızı en azından elektrikli aletin üstünde belirtilen maksimum hıza eşit olmalıdır.** Anma hızlarından daha hızlı çalışan aksesuarlar kırılabilir ve fırlayabilir.
- Aksesuarınızın dış çapı ve kalınlığı elektrikli aletinizin kapasite derecelendirmesi dahilinde olmalıdır.** Doğru boyutta olmayan aksesuarlar yeterince korunamayabilir ve kontrol edilemeyebilir.
- Aksesuarların dişli montaj parçaları taşıma makinesinin mil dişine tam olarak uymalıdır.** Flanş yardımıyla takılan aksesuarlar için, aksesuarın mil delikleri flanşın yerleştirme çapına uygun olmalıdır. Elektrikli aletin monte edildiği kısıma uymayan aksesuarlar dengesiz döner, aşırı titreşim yapar ve kontrolden çıkabilir.
- Hasarlı bir aksesuarı kullanmayın. Her kullanımdan önce aksesuarlarda, örneğin aşındırıcı disklerde yonga veya çatlak, taban altlığında çatlak, kopma veya aşırı aşınma, tel fırçalarda gevşek veya kırık tel muayenesi yapın. Eğer elektrikli alet veya aksesuar düşürülürse, hasar muayenesi yapın veya hasarsız bir aksesuarı kullanın. Bir aksesuarı muayene ettikten ve taktıktan sonra, kendinizi ve civardaki insanları döner aksesuarın düzleminden uzak tutun ve elektrikli aleti bir dakika boyunca maksimum yüksek hızda çalıştırın. Bu test çalıştırması sırasında normal olarak hasarlı aksesuarlar kopar.**

- Kişisel koruyucu donanım kullanın. Uygulamaya bağlı olarak yüz siperleri veya güvenli gözlükleri kullanın. Uygun görüldüğü şekilde toz maskesi, kulak koruyucuları, eldiven ve küçük aşındırıcı parçalardan veya iş parçasından kopan küçük parçalardan sizi koruyabilecek iş önlüğü takın.** Göz koruyucu, çeşitli işlemlerin üreteceği uçan kırıntıları durdurabilecek nitelikte olmalıdır. Toz maskesi veya solunum cihazı yaptığımız işlemin üreteceği küçük parçacıkları süzebilecek nitelikte olmalıdır. Uzun süre yüksek yoğunlukta gürültüye maruz kalmak işitme kaybına neden olabilir.
- Civarda bulunanları çalışma alanından güvenli bir uzaklıkta tutun. Çalışma alanına giren herkes kişisel koruyucu donanım kullanmalıdır.** İş parçasının veya kırılan bir aksesuarın kırıkları uzağa fırlayıp, çalışma yerinin ötesinde yaralanmalara neden olabilir.
- Kesici aksesuarın görünmeyen kabloları ya da aletin kendi kordonuna temas etme olasılığı bulunan yerlerde çalışırken elektrikli aleti sadece yalıtımlı kavrama yüzeyinden tutun.** Kesici aksesuarın "akımlı" bir telle temas etmesi elektrikli aletin yalıtımsız metal kısımlarını "akımlı" hale getirebilir ve kullanıcıyı elektrik şokuna maruz bırakabilir.
- Kordonu döner aksesuardan uzakta tutun.** Eğer kontrolü kaybederseniz, kordon kesilebilir veya takılabilir ve eliniz ya da kolunuz döner aksesuara çekilebilir.
- Aksesuar tamamen durmadan önce elektrikli aleti kesinlikle yere koymayın.** Döner aksesuar yer sürtünüp, elektrikli aletin kontrolünüz dışında fırlamasına neden olabilir.
- Elektrikli aleti yalnızca taşırken çalıştırmayın.** Giysilerinizin kazayla döner aksesuara temas etmesi giysinizin sıkışmasına neden olarak aksesuarı vücudunuza çekebilir.
- Elektrikli aletin hava deliklerini düzenli olarak temizleyin.** Motorun fanı tozu gövdenin içine çeker ve aşırı toz metal birikimi elektrik tehlikelerine neden olabilir.
- Elektrikli aleti tutuşabilen malzemelerin yakınında kullanmayın.** Kırılcımlar bu malzemeleri tutuşturabilir.
- Sıvı soğutucu gerektiren aksesuarlar kullanmayın.** Su veya diğer sıvı soğutucuların kullanılması elektrik çarpmasına veya şokuna neden olabilir.

Ger i Tepme ve İlgili Uyarılar

Ger i tepme sıklığına veya takılan bir döner diske, taban altlığına, fırçaya veya başka bir aksesuara verilen ani bir tepkidir. Sıkışma veya takılma döner aksesuarın aniden durmasına ve bu da elektrikli aletin tutukluk noktasında aksesuarın dönme yönünün tersi doğrultuda kontrolsüz şekilde itilmesine neden olur. Örneğin, eğer bir aşındırıcı disk iş parçasına takılır veya sıkışır, sıkışma noktasına giren diskin kenarı malzeme yüzeyine batarak, diskin dışarı tırmanmasına veya tepmesine neden olabilir. Disk, sıkışma noktasında diskin hareket yönüne bağlı olarak operatöre veya ondan uzağa doğru sıçrayabilir. Bu koşullarda aşındırıcı diskler kırılabilir de. Ger i tepme elektrikli aletin yanlış kullanılmasının ve/veya yanlış kullanım usulleri veya koşullarının bir sonucudur ve aşağıda belirtildiği gibi doğru önlemlerle önlenmelidir.

1. **Elektrikli aleti daima sıkıca kavrayın ve vücudunuzun ve kolunuzun duruşunu geri tepme kuvvetlerine direnç gösterecek şekilde ayarlayın. İlk çalıştırma sırasında geri tepme veya tork etkisi üzerinde maksimum kontrol sağlamak için, eğer varsa, daima yardımcı sapı kullanın. Eğer doğru önlemler alınırsa, operatör tork etkilerini veya geri tepme kuvvetlerini kontrol edebilir.**
2. **Elinizi kesinlikle döner aksesuarın yakınına koymayın. Aksesuar elinizin üstüne doğru geri tepebilir.**
3. **Vücudunuzu geri tepme halinde elektrikli aletin fırlayacağı alanda bulundurmayın. Geri tepme aleti takılma noktasında diskin hareketinin tersi yönde iler.**
4. **Köşelerde, keskin kenarlarda, vb. çalışırken özel dikkat gösterin. Aksesuarın zıplamasından ve takılmasından kaçının. Köşelerde, keskin kenarlarda veya zıplama halinde döner aksesuarın takılma eğilimi vardır ve kontrol kaybına ve geri tepmeye neden olur.**
5. **Bir zincir testere, oyma bıçağı veya dişli testere bıçağı takmayın. Bu bıçağlar sıkça geri tepme ve kontrol kaybı yaratır.**

Taşılama ve Aşındırarak Kesme İşlemlerine Özgü Güvenlik Uyarıları:

1. **Sadece elektrikli aletiniz için tavsiye edilen diskleri ve seçilen disk için özel olarak tasarlanmış siperi kullanın. Elektrikli aletin tasarımına uygun olmayan diskler yeterli şekilde koruma altına alınmayabilir ve güvenlidir.**
2. **Merkezden basmalı disklerin taşılama yüzeyi, koruyucu kapak çarkı düzleminin altına monte edilmelidir. Koruyucu kapak çarkının üzerine doğru çıkıntı yapacak şekilde hatalı monte edilmiş bir disk yeterli ölçüde kapatılamaz.**
3. **Siper elektrikli alete sıkı şekilde takılı olmalı ve diskin operatöre doğru açığa kalan kısmı en az olacak şekilde maksimum güvenlik için konumlandırılmalıdır. Siper, operatörün kırılan disk parçalarından, kazayla diske temas etmekten ve gysileri tutuşturabilecek kıvılcımlardan korunmasına yardımcı olur.**
4. **Diskler sadece tavsiye edilen uygulamalarda kullanılmalıdır. Örneğin kesme diskinin yan tarafıyla taşılama yapmayın. Aşındırıcı kesme diskleri çevresel aşındırmaya yöneliktir, bu disklere etki eden yan kuvvetler parçalanmalarına neden olabilir.**
5. **Daima seçtiğiniz disk için doğru boyut ve şekilde hasarsız flanşlar kullanın. Doğru flanşlar diski destekleyerek, disk kırılması olasılığını azaltır. Kesme disklerinin flanşları taşılama disklerinin flanşlarından farklı olabilir.**
6. **Daha büyük elektrikli aletlerin aşınarak küçülmüş disklerini kullanmayın. Daha büyük elektrikli aletler için tasarlanmış diskler küçük aletlerin daha yüksek hızlarına uygun olmayabilir ve parçalanabilir.**

Aşındırarak Kesme İşlemlerine Özgü Ek Güvenlik Uyarıları:

1. **Kesme diskinin "sıkıştırmayın" veya üstüne aşırı basınç uygulamayın. Aşırı derinlikte bir kesme yapmaya çalışmayın. Diskin aşırı zorlanması yükü ve diskin kesik içinde bükülme veya takılma olasılığını artırarak, geri tepmeye veya diskin kırılmasına neden olabilir.**

2. **Vücudunuzu döner diskle aynı hizada ve diskin gerisinde tutmayın. Disk, çalışma noktasında, vücudunuzdan uzağa doğru hareket ederken, olası bir geri tepme döner diski ve elektrikli aleti doğrudan doğruya size doğru fırlatabilir.**
3. **Diskin takıldığı veya herhangi bir nedenle kesmeyi durdurduğu zaman, elektrikli aleti kapatın ve disk tamamen duruncaya kadar onu hareketsiz şekilde tutun. Kesme diski dönerken onu kesinlikle kesikten çıkarmaya çalışmayın aksi takdirde geri tepme oluşabilir. Diskin takılma nedenini araştırıp, ortadan kaldırmak için düzeltici işlemleri yapın.**
4. **İş parçasında kesme işlemine yeniden başlamayın. Diskin tam hıza ulaşmasını bekleyin ve dikkatli şekilde tekrar kesişe geçirin. Elektrikli iş parçası içinde tekrar çalıştırılırsa, disk takılabilir, yukarı tırmanabilir veya geri tepebilir.**
5. **Diskin takılması veya geri tepme riskini en aza indirmek için panelleri ve çok büyük iş parçalarını destekleyin. Büyük iş parçaları kendi ağırlıkları altında bel vermeye meyillidir. Destekler diskin her iki yanında kesme hattına ve iş parçasının kenarına yakın olarak, iş parçasının altına yerleştirilmelidir.**
6. **Mevcut duvarların veya diğer kör alanların içine "oyuk kesme" yaparken daha fazla dikkat gösterin. Fazla ileri giden disk gaz veya su borularını, elektrik kablolarını veya geri tepmeye neden olabilecek nesnelere kesebilir.**

Zımparalama İşlemlerine Özgü Güvenlik Uyarıları:

1. **Aşırı büyüklükte zımpara kağıdı diski kullanmayın. Zımpara kağıdı seçerken imalatçının tavsiyelerine uyun. Zımpara taban diskinin aşan büyüklükte zımpara kağıdı yırtılma riski oluşturur ve takılmaya, diskin kopmasına veya geri tepmeye neden olabilir.**

Tel Fırça İşlemlerine Özgü Güvenlik Uyarıları:

1. **Olağan işlemler sırasında bile fırçadan tellerin fırlayabileceği konusunda uyanık olun. Fırçaya aşırı yük uygulayarak telleri aşırı zorlamayın. Teller kolaylıkla ince gysilere ve/veya cilde bataabilir.**
2. **Tel fırça işlemi için bir siper kullanılması tavsiye ediliyorsa, tel diskin veya fırçanın siper tarafından engellenmemesi sağlayın. Tel disk veya fırça iş yüküne veya merkezkaç kuvvetlerine bağlı olarak genişleyebilir.**

Ek Güvenlik Uyarıları:

1. **Merkezden basmalı taşılama diskleri kullanırsanız, mutlaka sadece fibreglas takviyeli diskler kullanın.**
2. **Bu taşılama makinesiyle Taş Çanak tipi diskleri KESİNLİKLE KULLANMAYIN. Bu taşılama makinesi bu tip diskler için tasarlanmamıştır ve böyle bir ürün kullanılması ciddi yaralanmalara neden olabilir.**
3. **Mile, flanşa (özellikle takma yüzeyine) veya kilit somununa zarar vermemeye dikkat edin. Bu kısımların hasar görmesi diskin kırılması ile sonuçlanabilir.**
4. **Alet çalıştırılmadan önce diskin iş parçasına değmediğinden emin olun.**

5. Aleti gerçek bir iş parçası üzerinde kullanmadan önce bir süre boşa çalıştırın. Diskin yanlış takılmış veya dengesiz olduğunu gösteren titreme ya da yalpalamalara dikkat edin.
6. Taşlama yaparken diskin belirlenmiş yüzeyini kullanın.
7. Aleti çalışır durumda bırakmayın. Aleti sadece elinizde tutarken çalıştırın.
8. Çalışmadan hemen sonra iş parçasına dokunmayın; çok sıcak olabilir ve cildinizi yakabilir.
9. Disklerin doğru monte edilmesi ve kullanılması için imalatçının talimatlarına uyun. Diskleri özenle aktarın ve saklayın.
10. Büyük delikli aşındırıcı diskleri uydurmak için ayrı redüksiyon nipel ya da adaptör kullanmayın.
11. Sadece bu alet için belirtilen flanşları kullanın.
12. Deliği vida dişli disk takılmak istenen aletlerde bu diskin dişlerinin mil uzunluğunu kabul edecek kadar uzun olması gereklidir.
13. İş parçasının doğru desteklenip desteklenmediğini kontrol edin.
14. Diskin alet kapatıldıktan sonra dönmeye devam ettiğine dikkat edin.
15. Çalışma yeri aşırı sıcak ve nemliyse ya da çok fazla iletken toz kirliliği mevcutsa kullanıcının güvenliği için bir kısa devre kesicisi (30 mA) kullanın.
16. Bu aleti asbest içeren hiçbir malzeme üstünde kullanmayın.
17. Kesme diski kullandığınız zaman, daima yerel yönetmeliklerin gerektirdiği toz toplayıcı disk siperi ile çalışın.
18. Kesici diskleri yanal bir basınca maruz kalmamalıdır.
19. Çalışma sırasında kumaş iş eldivenleri kullanmayın. Kumaş eldivenlerin lifleri alete girebilir, bu da aletin bozulmasına neden olur.

BU TALİMATLARI MUHAFAZA EDİNİZ.

⚠UYARI: Ürünü kullanırken (defalarca kullanınca kazanılan) rahatlık ve tanıdıklık duygusunun ilgili ürünün güvenlik kurallarına sıkı sıkıya bağlı kalmanın yerine geçmesine İZİN VERMEYİN. YANLIŞ KULLANIM veya bu kullanma kılavuzunda belirtilen emniyet kurallarına uymama ciddi yaralanmaya neden olabilir.

İŞLEVSEL NİTELİKLER

⚠DİKKAT: Alet üzerinde ayarlama ya da işleyiş kontrolü yapmadan önce aletin kapalı ve fişinin çekili olduğundan daima emin olun.

Şaft kilidi

Aksesuarları takarken veya çıkarırken milin dönmelerini önlemek için şaft kilidine basın.

► **Şek.1:** 1. Şaft kilidi

ÖNEMLİ NOT: Mil hareket halindeyken şaft kilidini asla kullanmayın. Alet zarar görebilir.

Anahtar işlemleri

⚠DİKKAT: Aleti fişe takmadan önce sürgülü anahtarın doğru çalıştığından ve sürgülü anahtarın arka kısmına basıldığında "OFF" (kapalı) konumuna döndüğünden emin olun.

⚠DİKKAT: Uzun süreli kullanım sırasında kullanıcının rahatı için anahtar "ON" (açık) konumunda kilitlenebilir. Anahtar "ON" (açık) konumunda kilitliyi dikkatli olun ve aleti sıkı kavrayın.

Aleti başlatmak için, sürgülü anahtarın arka kısmından iterek "I" (AÇIK) konuma getirin. Sürekli kullanım için, sürgülü anahtarın ön kısmına basarak anahtarın kilitleyin. Aleti durdurmak için, sürgülü anahtarın arka kısmına basın ve "O" (KAPALI) konuma kaydırın.

► **Şek.2:** 1. Sürgülü anahtar

İstenmeyen yeniden başlatma koruması

Fiş takılı olsa da anahtar kilitli konumda olduğunda alet çalışmaya başlamaz.

İstenmeyen yeniden başlatma korumasını iptal etmek için, güç anahtarını KAPALI konuma getirin.

NOT: İstenmeyen yeniden başlatma koruması çalıştığı anda aleti yeniden başlatmadan önce bir saniyeden fazla bekleyin.

NOT: Alete aşırı yük bindiğinde ve alet sıcaklığı belli bir seviyeye ulaştığında, alet otomatik olarak durabilir. Bu durumda, aleti yeniden çalıştırmadan önce aletin soğumasını bekleyin.

Yumuşak başlatma özelliği

Yumuşak başlatma özelliği başlatma tepkisini azaltır.

MONTAJ

⚠DİKKAT: Alet üzerinde herhangi bir iş yapmadan önce aletin kapalı ve fişinin çekili olduğundan daima emin olun.

Yan kavrama kolunun (tutamağın) takılması

⚠DİKKAT: Çalışmaya başlamadan önce yan kavrama kolunun yerine sağlam şekilde takılmış olduğundan daima emin olun.

Yan kavrama kolunu şekilde gösterildiği gibi alet üstündeki konumuna sıkıca vidalayın.

► **Şek.3**

Disk siperinin takılması veya çıkarılması (Merkezden basmalı disk, flap disk, fleks disk, tel disk fırça / aşındırıcı kesme diski, elmas disk için)

⚠UYARI: Merkezden basmalı bir disk, flap disk, fleks disk veya tel disk fırça kullanılırken; disk siperi, siperin kapalı tarafının yönü daima kullanıcıya doğru bakacak şekilde takılmalıdır.

⚠UYARI: Bir aşındırıcı kesme diski / elmas disk kullandığınız zaman, sadece kesme diskleriyle kullanılmak için belirlenmiş özel disk siperini kullandığınızdan emin olun.

(Bazı Avrupa ülkelerinde, elmas disk kullanılırken normal siper kullanılabilir. Ülkenizdeki yönetmeliklere uygun davranın.)

Disk siperini, disk siperi bantı üstündeki çıkıntılar yatak mahfazası üstündeki çentiklerle aynı hizada olacak şekilde monte edin. Ardından disk siperini işe göre operatörü koruyabilecek açığa döndürün. Vidayı iyice sıktığınızdan emin olun. Disk siperini çıkarmak için, takma işlemlerini tersinden uygulayın.

► **Şek.4:** 1. Disk siperi 2. Yatak mahfazası 3. Vida

Merkezden basmalı diskin veya flap diskin takılması veya çıkarılması

İsteğe bağlı aksesuar

⚠UYARI: Merkezden basmalı bir disk veya flap disk kullanırken, disk siperi, siperin kapalı tarafının yönü daima kullanıcıya doğru bakacak şekilde takılmalıdır.

⚠DİKKAT: İç flanşın montaj parçasının merkezden basmalı diskin / flap diskin iç çapına tam olarak uydüğundan emin olun. İç flanşı yanlış tarafa monte etmek tehlikeli titreşime neden olabilir.

İç flanşı mile takın.

İç flanşın dişli parçasını milin tabanındaki düz parçanın üzerine yerleştirdiğinizden emin olun.

Merkezden basmalı diski / flap diski iç flanşın üstüne takın ve kilit somununu milin üzerine vidalayın.

► **Şek.5:** 1. Kilit somunu 2. Merkezden basmalı disk 3. İç flanş 4. Montaj parçası

Kilit somununu sıkıkmak için, milin dönmemesini sağlayacak şekilde şaft kilidine kuvvetle bastırın, sonra kilit somunu anahtarını kullanarak saat yönünde iyice sıkın.

► **Şek.6:** 1. Kilit somunu anahtarını 2. Şaft kilidi

Diski çıkarmak için, takma işlemlerini tersinden uygulayın.

Süper flanş

İsteğe bağlı aksesuar

Sadece M14 mil dişli aletler için.

F harfli modellerde standart donanım olarak bir süper flanş bulunur. Kilit somununu açmak için klasik tipe oranla sadece 1/3 çaba gerekir.

Fleks diskin takılması veya çıkarılması

İsteğe bağlı aksesuar

⚠UYARI: Fleks disk alet üzerindeyken daima verilen siperi kullanın. Disk kullanım sırasında kırılabilir ve siper kişisel yaralanma olasılığını azaltır.

► **Şek.7:** 1. Kilit somunu 2. Fleks disk 3. Yedek altlık 4. İç flanş

Merkezden basmalı disk için verilen talimatları izleyin fakat ayrıca diskin üzerinde yedek altlık kullanın. Bu kılavuzun aksesuarları sayfasında verilen montaj düzenine bakın.

Zımpara kağıdı diskinin takılması veya çıkarılması

İsteğe bağlı aksesuar

► **Şek.8:** 1. Zımpara kilit somunu 2. Zımpara kağıdı diski 3. Kauçuk altlık

1. Kauçuk altlığı mile takın.
 2. Diski kauçuk altlığın üzerine yerleştirin ve zımpara kilit somununu mile vidalayın.
 3. Mili şaft kilidiyle tutun ve zımpara kilit somununu, kilit somunu anahtarıyla saat yönünde çevirerek iyice sıkılayın.
- Diski çıkarmak için, takma işlemlerini tersinden uygulayın.

NOT: Bu kılavuzda belirtilen zımparalama aksesuarlarını kullanın. Bu aksesuarlar ayrıca satın alınmalıdır.

KULLANIM

⚠UYARI: Aletin hiçbir zaman zorlanması gerekmemelidir. Aletin ağırlığı yeterli basıncı uygular. Zorlama ve fazla basıncı tehlikeli disk kırılmasına neden olabilir.

⚠UYARI: Taşlama sırasında alet düşürülürse diski DAİMA değiştirin.

⚠UYARI: Taşlama diskinin ASLA üzerinde çalışılan parçaya vurmayın ya da çarpmayın.

⚠UYARI: Özellikle köşelerde, keskin kenarlarda, vb. alanlarda çalışırken diski zıplatmaktan ve engellere takmaktan kaçının. Bu, kontrol kaybına ve geri tepmeye neden olabilir.

⚠UYARI: Bu aleti ASLA ahşap kesme bıçakları ve diğer testere bıçakları ile kullanmayın. Bu bıçaklar bir taşlama makinesiyle kullanıldığında sıkça geri teper ve yaralanmaya yol açacak kontrol kaybına neden olur.

⚠ DİKKAT: İş parçası ile temas halindeyken aleti asla çalıştırmayın; bu, kullanıcının yaralanmasına neden olabilir.

⚠ DİKKAT: Çalışma sırasında daima emniyet gözlükleri veya bir yüz siperi kullanın.

⚠ DİKKAT: Çalışmanızı bitince daima aleti kapattın ve yere koymadan önce diskin tamamen durmasını bekleyin.

⚠ DİKKAT: Aleti DAİMA bir elinizle gövdeden ve diğer elinizle yan kavrama kolundan (saptan) sıkıca tutun.

Taşlama ve zımparalama işlemi

► Şek.9

Aleti çalıştırın ve diski iş parçasına uygulayın.

Genel olarak diskin kenarını iş parçasının yüzeyine yaklaşık 15 derecelik bir açıyla tutun.

Yeni bir diskin alıştırmaya döneminde taşlama makinesini ileri yönde çalıştırmayın aksi takdirde disk iş parçasını keser. Diskin kenarı kullanılıp yuvarlandıktan sonra, disk hem ileri hem de geri yönde kullanılabilir.

Aşındırıcı kesme disk / elmas disk ile çalışma

İsteğe bağlı aksesuar

⚠ UYARI: Bir aşındırıcı kesme disk / elmas disk kullanıldığında zaman, sadece kesme diskleriyle kullanılmak için belirlenmiş özel disk siperini kullandığınızdan emin olun.

(Bazı Avrupa ülkelerinde, elmas disk kullanılırken normal siper kullanılabilir. Ülkenizdeki yönetmeliklere uygun davranın.)

⚠ UYARI: Kenar taşlama için ASLA kesme disk kullanmayın.

⚠ UYARI: Diski "sıkıştırmayın" veya aşırı basınç uygulamayın. Aşırı derinlikte bir kesme yapmaya çalışmayın. Diskin aşırı zorlanması yükü ve diskin kesik içinde bükülme veya takılma olasılığını artırarak, geri tepmeye, diskin kırılmasına ve motorun aşırı ısınmasına neden olabilir.

⚠ UYARI: İş parçasında kesme işlemine başlamayın. Diskin tam hıza ulaşmasını bekleyin ve dikkatli şekilde kesimin içine girerek, aleti iş parçasının yüzeyi boyunca ileri doğru ilerletin. Elektrikli alet iş parçası içinde çalıştırılırsa, disk takılabilir, yukarı tırmanabilir veya geri tepebilir.

⚠ UYARI: Kesme işlemleri sırasında, diskin açısını kesinlikle değiştirmeyin. Kesme diskinde (taşlamada olduğu gibi) yan basınç uygulanması diskin kırılmasına ve kopmasına neden olarak, ciddi yaralanmalara yol açabilir.

⚠ UYARI: Bir elmas disk kesilecek malzemeye dik olarak çalıştırılmalıdır.

► Şek.10: 1. Kilit somunu 2. Aşındırıcı kesme disk / elmas disk 3. İç flanş 4. Aşındırıcı kesme disk / elmas disk için disk siperi

Takmak için, merkezden basmalı disk için olan talimatları izleyin.

Kilit somunu ve iç flanşı monte etme yönü disk tipi ve kalınlığına göre değişir.

Aşağıdaki şekillere bakın.

Aşındırıcı kesme diskini takarken:

► Şek.11: 1. Kilit somunu 2. Aşındırıcı kesme disk (4 mm'den ince) 3. Aşındırıcı kesme disk (4 mm veya daha kalın) 4. İç flanş

Elmas disk takarken:

► Şek.12: 1. Kilit somunu 2. Elmas disk (4 mm'den ince) 3. Elmas disk (4 mm veya daha kalın) 4. İç flanş

Tel tas fırçayla çalışma

İsteğe bağlı aksesuar

⚠ DİKKAT: Fırçanın önünde veya hizasında hiç kimse olmadığından emin olarak, aleti yüksüz çalıştırıp fırçanın çalışmasını kontrol edin.

⚠ DİKKAT: Hasarlı veya dengesiz fırçaları kullanmayın. Hasarlı fırça kullanılması kırık fırça tellerinin temas etmesiyle yaralanma potansiyelini artırabilir.

► Şek.13: 1. Tel tas fırça

Aleti prizden çıkarın ve mile kolay erişim için ters şekilde yerleştirin.

Mil üstündeki aksesuarları çıkarın. Tel tas fırçayı mile takın ve verilen anahtarla sıkın.

ÖNEMLİ NOT: Fırça kullanırken, tellerin aşırı bükülmesine neden olan aşırı basınç uygulamayın. Erken kırılmaya neden olabilir.

Tel disk fırçayla çalışma

İsteğe bağlı aksesuar

⚠ DİKKAT: Fırçanın önünde veya hizasında hiç kimse olmadığından emin olarak, aleti yüksüz çalıştırıp tel disk fırçanın çalışmasını kontrol edin.

⚠ DİKKAT: Hasarlı veya dengesiz tel disk fırçaları kullanmayın. Hasarlı tel disk fırça kullanılması kırık fırça tellerinin temas etmesiyle yaralanma potansiyelini artırabilir.

⚠ DİKKAT: Tel disk fırçalarla birlikte DAİMA, diskin çapı siperin içinde kalacak şekilde, siper kullanın. Disk kullanım sırasında kırılabilir ve siper kişisel yaralanma olasılığını azaltır.

► Şek.14: 1. Tel disk fırça

Aleti prizden çıkarın ve mile kolay erişim için ters şekilde yerleştirin.

Mil üstündeki aksesuarları çıkarın. Tel disk fırçayı mile takın ve anahtarlarla sıkın.

ÖNEMLİ NOT: Tel disk fırça kullanırken, tellerin aşırı bükülmesine neden olan aşırı basınç uygulamayın. Erken kırılmaya neden olabilir.

BAKIM

⚠ DİKKAT: Muayene ya da bakım yapmadan önce aletin kapalı ve fişinin çekili olduğundan daima emin olun.

ÖNEMLİ NOT: Benzin, tiner, alkol ve benzeri maddeleri kesinlikle kullanmayın. Renk değişimi, deformasyon veya çatlaklar oluşabilir.

Hava deliğinin temizlenmesi

Alet ve hava delikleri temiz tutulmalıdır. Aletin hava deliklerini düzenli aralıklarla veya delikler her tıkanmaya başladığında temizleyin.

► **Şek.15:** 1. Hava çıkma deliği 2. Hava alma deliği

Aleti EMNİYETLİ ve ÇALIŞMAYA HAZIR durumda tutmak için onarımlar, başka her türlü bakım ve ayarlamalar daima Makita yedek parçaları kullanılarak Makita yetkili servis merkezleri veya Fabrikanın Servis Merkezleri tarafından yapılmalıdır.

İSTEĞE BAĞLI AKSESUARLAR

⚠ DİKKAT: Bu aksesuarlar ve ek parçalar bu el kitabında belirtilen Makita aletiniz ile kullanılmak için tavsiye edilmektedir. Herhangi başka bir aksesuar ya da ek parça kullanılması insanlar için bir yaralanma riski getirebilir. Aksesuarları ya da ek parçaları yalnızca belirtilmiş olan kullanım amaçlarına uygun olarak kullanın.

Bu aksesuarlarla ilgili daha fazla bilgiye ihtiyac duyarsanız bulunduğunuz yerdeki yetkili Makita servisine başvurun.

► **Şek.16**

-	115 mm model	125 mm model
1	Sap 36	
2	Disk Siperi (taşıma diski için)	
3	İç flanş / Süper flanş	
4	Merkezden basmalı disk / Flap disk	
5	Kilit somunu	
6	Yedek altlık	
7	Fleks disk	
8	Kauçuk altlık 100	Kauçuk altlık 115
9	Zımpara kağıdı diski	
10	Zımpara kilit somunu	
11	Tel disk fırça	
12	Tel tas fırça	
13	Disk Siperi (kesme diski için) *1	
14	Aşındırıcı kesme diski / Elmas disk	
-	Kilit somunu anahtar	

NOT: *1 Bazı Avrupa ülkelerinde, elmas bir disk kullanılırken diskin her iki yanını kaplayan özel siper yerine normal siper kullanılabilir. Ülkenizdeki yönetmeliklere uygun davranın.

NOT: Listedeki parçaların bazıları alet paketi içerisinde standart aksesuar olarak dahil edilmiş olabilir. Bunlar ülkeden ülkeye farklılık gösterebilir.

Makita Europe N.V. Jan-Baptist Vinkstraat 2,
3070 Kortenberg, Belgium

Makita Corporation 3-11-8, Sumiyoshi-cho,
Anjo, Aichi 446-8502 Japan

www.makita.com

885464A994
EN, FR, DE, IT, NL,
ES, PT, DA, EL, TR
20160706