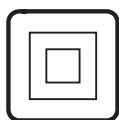
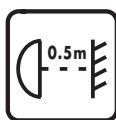


INSTRUCTION MANUAL

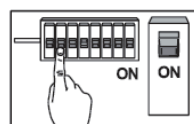
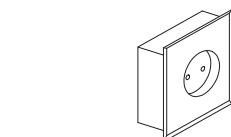
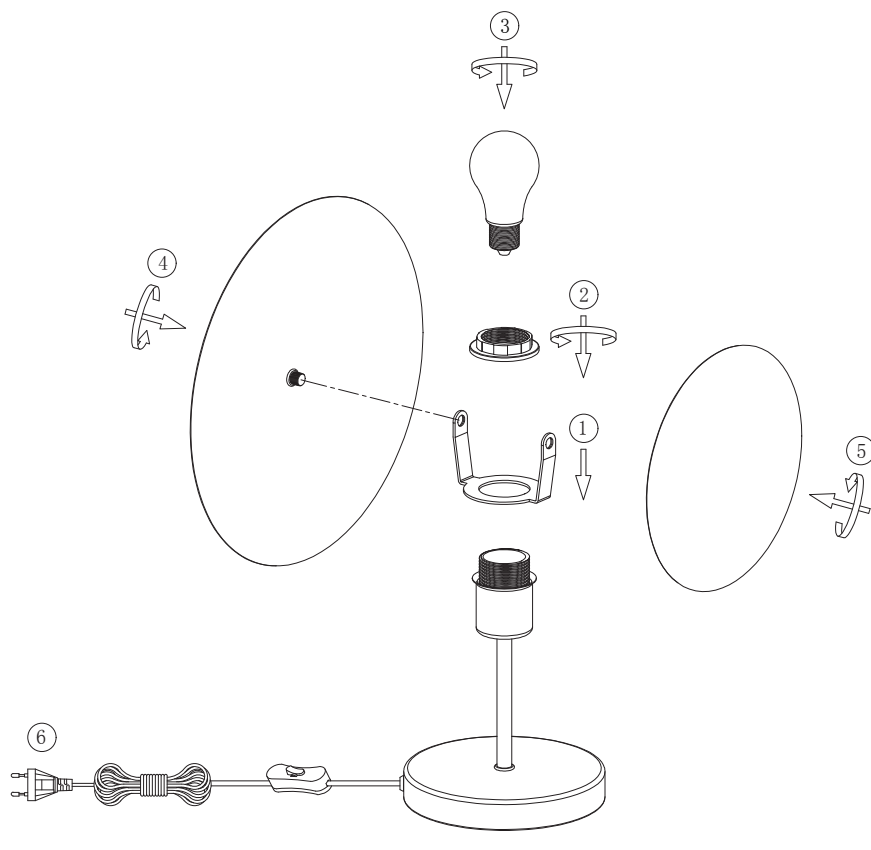


220-240V~
50Hz

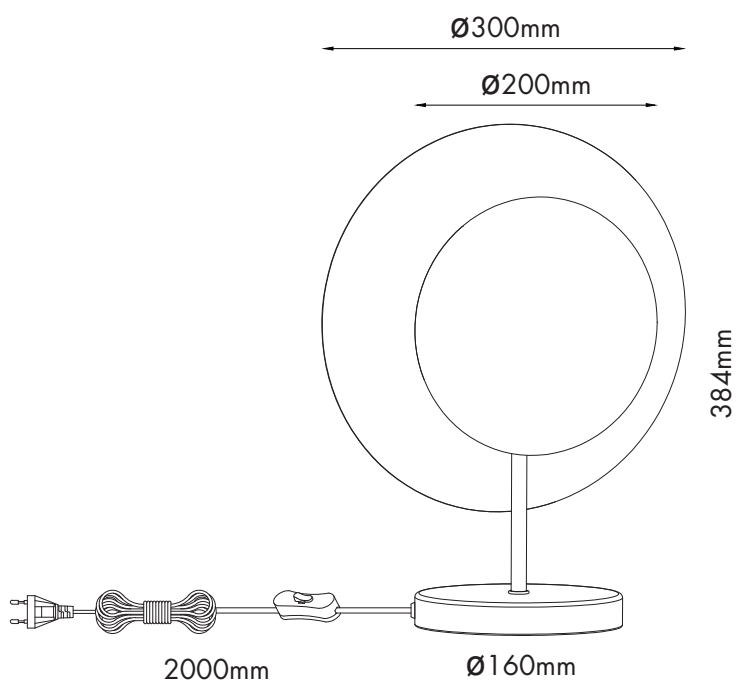
Max. Ø60mm
E27 Max.40W



Emilienne TL Black
105768



Overall Sizes:



FittinQ B.V.

Smaragdweg 52, 5527 LB Hapert, The Netherlands
www.qazqa.nl

QAZQA